



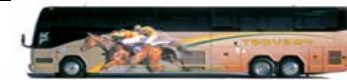
# H3-45, H3-41 BUS



REV.	DATE	O.C.	EFF.	DESCRIPTION	PAGE(S)	BY	CK.	APPR.
00	2004-03-03	2003060		Preliminary multiplex vehicles 4-4933, 4-4963, 4-4995, 4-0020		PGAG	DGRA	DGRA
01	2004-04-11	2003050		WCL sliding door	B,C1,E,G,11.1,22.1,36.1	SDES	DGRA	DGRA
		2003060		Preliminary multiplex vehicles 5-109, 5-0142	A,B,C1,F,G,H,K,L,1.1,2.1,3.1,3.2,3.3, 4.1,5.1,6.1,7.1,8.1,9.1,10.1,12.1,13.1, 14.1,15.1,15.2,16.1,17.1,18.1,18.2, 19.1,20.1,21.1,24.1,25.1,26.1,26.2, 26.3, 26.4,27.1,28.1,29.1,32.1, 35.0,35.7,36.1,37.1	PGAG	DGRA	DGRA
02	2005-01-28	2003060	5-0168	CAN network modification Grounding modification for welding Fire extinguisher WCL Ricon new law General update	A,C1,C3,E,F,G,J,2.1, 3.1,3.2,3.3,4.1,5.1,6.1, 7.1,8.1,10.1,12.1,14.1, 15.1,15.2,18.1,20.1, 22.1,24.1,25.1,27.1, 28.1,35.7,36.1,38.1	PGAG	DGRA	DGRA
03	2005-01-09	2003060	5-0168	General update	C1,2.1,5.1,11.1,17.1, 26.2,26.3,26.4,28.1	PGAG	DGRA	DGRA
04	2005-03-14			Fuel sender grounding modification	C1,10.1,7.1	PGAG	DGRA	DGRA
05	2005-03-18	2005021	5-0208	Option unload tag axle Option air dryer (update) Options back up sensors (update)	2.1, 3.1,19.1,32.1SP1, 5.1, 32.1SP1 28.1	SLEB	DGRA	DGRA
06	2005-05-11	2004083	5-0230	Option fire extinguisher system	2.1,3.3,14.1,17.1,	SLEB	DGRA	DGRA
		2004084	5-0230	Option tire monitoring system	38.1,A,E,G,H,K	SLEB	DGRA	DGRA
		2005024	5-0236	Option XM radio	C2,G,35.1SP1,35.1SP2,35.1SP3	JPRO	DGRA	DGRA
		2005027	5-0212	Windshield washer level low sensor General update	C1,G L,3.1,10.1,14.1,15.1,15.2, 18.2,19.1,37.1	JPRO PGAG	DGRA DGRA	DGRA DGRA
07	2005-05-24			Option electronic destination sign "Balios" Update	4.1,28.1,28.1SP1, 12.1	SLEB PGAG	DGRA DGRA	DGRA DGRA



# H3-45, H3-41 BUS



REV.	DATE	O.C.	EFF.	DESCRIPTION	PAGE(S)	BY	CK.	APPR.
08	2005-07-05			New beacon lamp for WCL 2005 regulation eff: june 2005	36.1	SDES	DGRA	DGRA
			5-0383	Special option: 4 cut-off speaker	19.1,35.2	SLEB	DGRA	DGRA
09	2005-07-20	2005047		Neutral switch eliminate	A,C1,15.1,15.2	JPRO	DGRA	DGRA
		2005053	5-0428	Integration of CAN harness	17.1,18.1,22.1,26.4,29.1	PGAG	DGRA	DGRA
		2003060	5-0168	Galley	2.1,3.1,3.2,4.1,5.1,19.1,40.1	PGAG	DGRA	DGRA
10	2005-10-25	2005077	5-0168	Preliminary vehicles: 5-0109, 5-0142 Wiper retrofit and ZF Ign Relay moved to RearSwitch selector	C1, 3.2, 4.1, 12.1, 26.1, 34.1	PGAG	DGRA	DGRA
11	2005-12-20	2005057	6-0560	Preliminary vehicles: 6-0443, 6-0518 Option headlamp cleaning system	E, G, 2.1, 34.1	MPOU	DGRA	DGRA
		2005061	6-0560	Preliminary vehicles: 6-0443 Alisson transmission Gen IV	C1, 2.1, 3.2, 5.1, 12.1, 14.1, 15.1, 15.2 16.1	SDES	DGRA	DGRA
		2005050	6-0560	Preliminary vehicles: 6-0443, 6-0493 6-0514, 6-0516, 6-0519, 6-0520, 6-0528 6-0537, 6-0547	35.0, 35.1, 35.2	SLEB	DGRA	DGRA
12	2006-04-20	2006024	6-0493	Volvo Sound Sys.: Ground Insulation  Update	C1, C2, E, F, G, H, J, K, L, 3.1, 3.2, 8.1, 30.1, 35.0, 35.1, 35.2 17.1	SLEB MPOU	DGRA DGRA	DGRA DGRA
13	2006-05-19	2006013	6-0678	Option Navigation system	A, C2, E, G, 15.1, 28.1, 35.0, 35.1, 35.4	MPOU	DGRA	DGRA
14	2006-08-16	2006038		ABS6 Bendix Preliminary vehicle: 7-0751 General update Option 200923	B,C1,E,F,G,H,J,K,L, 4.1,12.1,16.1,16.2 A,C2,35.0,35.1,35.4 5.1,15.2	MPOU MPOU SLEB	DGRA DGRA DGRA	DGRA DGRA DGRA
			6-0616	Low speed parcel rack	18.2,18.2Sp1,20.1	ELAN	DGRA	DGRA



# H3-45, H3-41 BUS



REV.	DATE	O.C.	EFF.	DESCRIPTION	PAGE(S)	BY	CK.	APPR.
15	20/9/2006		6-0731	Remove shield on J1939 transmission cable Update connection on remote control	0, 14.1, 15.1 35.4	MPOU	DGRA	DGRA
16	2006-06-10		-	Modification for transmission code when rear sw. off	0, 3.2, 5.1, 15.1	MPOU	DGRA	DGRA
17	25/10/2006	2006036	7-0818	Flip-down screen introduction (option). Preliminary 7-0749, 7-0803 and 7-0815.	0, 35.0, 35.3, C2., E, G, K,	SLEB	CLEM	CLEM
18	25/10/2006	2006061	-	Replace Hostess Chime by Volvo Hostess Chime.	0, 35.0, 35.3, C2., E, G, K,	SLEB	CLEM	CLEM
19	23/3/2007	2007023	8-1143	New Color Backup Camera	0, 35.4, A,	PGAG	CLEM	CLEM
20	17/05/2007	2007046	7-1028	Rei/Volvo sound system	0,A,22.1,35.0,35.2,35.5	MPOU	CLEM	CLEM
21	2007-07-17	2005002 2005086 2006038 2006063 2007048	8-1044  7-0936 8-1104	Cooling System 2007 New Volvo D13 Motor ABS 6 Bendix & ESP System New Driver Speakers ONKYO WCL P-Rack Ventilator Added	A,B,E,F,G,H,J,K,L,,2.1,3.1,3.2,3.3,4.1, 5.1,6.1,11.1,12.1,14.1,14.2,15.1,15.2 C1,16.2 35.2,35.5 18.2	SDES	ELAN	DGRA
		N/A	-	Sound System Update	C2,C3,8.1,34.1,35.0,35.1,35.2, 35.3,35.4			
		N/A	-	Transm. Inhibit cir. renamed # 185	15.1			
		2007049	8-1044	F82 Change to CB82	4.1			
22	20/12/2007	2006025	8-1170	Control on Steering Wheel	12.1, 13.1, 14.1, 14.2, 15.1, 18.1, 19.1, 2.1, 26.3, 29.1, 30.1, 31.1, 32.1, 33.1, 34.1, 35.1, 35.4, 38.1, # 9.1, B1, B2, B3, C1., E, F, G, H, J, K, L, 0	SDES PGAG	CLEM	CLEM
23	2008-04-28	2007078	9-1291	Brushless Axial Condensor Fans Pages Updated	0, C1, E, F, K, 31., 18.2, 18.2SP3 16.1, 28.1	ELAN	CLEM	CLEM



# H3-45, H3-41 BUS



REV.	DATE	O.C.	EFF.	DESCRIPTION	PAGE(S)	BY	CK.	APPR.
24	2008-05-11	2008063	9-1470	NEW HEAD LAMP AND GENERAL REVISION	0, A, C1, F, G, H, J, K, L, 2.1, 3.2, 4.1 5.1, 24.1, 26.1, 26.3, 30.1, 37.1, 39.1	MPOU	CLEM	CLEM
25	15/12/2008	2008080	A-1497	NEW SOUND SYSTEM VSS05 DESTINATION SIGN STD OPT	0, A, G, 3.1, 3.3, 19.1, 35.2, 35.4, 35.6 28.1	MPOU	CLEM	CLEM
26	2009-11-03	2008080		SOUND SYSTEM UPDATE	0, 6.2, 26.1, 35.6	MPOU	CLEM	CLEM
27	31/3/2009	2008058	9-1524	MIRROR LED	26.1, 31.1, 32.1, 32.1sp2, 0, C1	SBEL	CLEM	CLEM
28	16/4/2009		9-1530	ADD OPTION CANCEL CRUISE/WIPER ACTIVED	34.1, 0,	SBEL	CLEM	CLEM
29	14/05/2009	2009048		NEW DVD	0, 35.6	MPOU	CLEM	CLEM
30	2009-10-09	2009044 - 2009043 -		AUX AUDIO VIDEO OPTION (USB/VGA) ADD SW SNOW MUD	0, A, C2, G, K, L, 6.2, 35.3, 35.6, 35.7 16.1, 19.1, 2.1	MPOU SBEL	CLEM CLEM	CLEM CLEM
31	2009-10-29	2009044		REMOVE CAN ON RADIO	0, 35.6	MPOU	CLEM	CLEM
32	2009-12-15	2009044		VGA CONVERTER PIN OUT CHANGE	0, 35.3, 35.6, 35.7	MPOU	CLEM	CLEM
33	2010-04-02 2010-04-15	2009088	1653	FLIP SCREEN WIRING SOLENOID VALVE REVISION	0, 3.3, 35.6 2.1, 14.2, 5.1 17.1, 18.2	MPOU SBEL SBEL	CLEM CLEM CLEM	CLEM CLEM CLEM
34	2010-09-24 2010-09-24		1716	REVISION FOR RED ARROW NEW IPOD USB PORT EACH SEAT	2.1, 3.1, 4.1, 5.1, 40.1 42.0SP1r00	ELAN	CLEM	CLEM
35	2014-05-12	NA		Pages Updated	3.2,0	SBEL	CLEM	CLEM

## WIRING DIAGRAM INDEX

Information Pages									
Multiplexed Devices Index	B1 – B8		Engine Start	3.2		Multiplexing Power	7.1		
Arrangement – Harness	C1		Engine ECM	14.1		Multiplexing Network	6.1		
Glossary	D		Engine Override	14.1		N			
Circuit Number Listing	E		Entrance door	29.1		No Smoking Sign	11.1		
Circuit Breaker code	F		Ether Switch	13.1		P			
Connectors code	G		F			Parcel Rack Fan	18.2		
Diode Number Code	H		Fast Idle	14.1		Park Brake Sensor	12.1		
Resistors Number Code	J		Fire Alarm	9.1		Park Brake Trailer Sensor	12.1		
Fuses Code	L		Fire Extinguisher	38.1		Parking Brake Release Switch	32.1		
Relay Code	K		Flashers	26.1,26.2		Power Distribution FJB	4.1		
Functions			Fog lights	26.3		Power Distribution RJB	5.1		
A			Fuel Gauge	10.1		Power Outlet	30.1		
Abs	16.1		Fuel Prime Pump	13.1		Pre-Heater	17.1		
B			Fuel water Filter	13.1		Prime Pump	13.1		
Back-up Camera	28.1		G			Pneumatic Cut-Out Acc.	9.1		
Back-up lights and alarm	26.3		Ground	2.1		R			
Battery and Equalizer	1.1		H			Radiator Fan Clutch	13.1		
Battery Charger	17.1		Hat Rack Lighting	21.1		Reading Lamp	22.1		
Brake Pedal Sensor	12.1		Hazard	26.1		S			
C			Head Lights	26.1		Service Brake Relay	12.1		
Charging System	3.2		Horn	9.1		Sound System	35.1-35.2		
Cigar lighter	30.1		Hostess Chime	22.1		Spare Wires	8.1		
Clearance lights rear & front	26.1,26.2		Hvac Driver's Area	18.1		Stop lights	26.2		
Cluster	10.1		Hvac Passenger	18.2		Sun Visor	30.1		
Cornering Lights	26.3		I			Steering Control ZF	37.1		
Cruise control	14.1		Indirect lighting	23.1		T			
D			K			Tail and Licence Lights	26.2		
Dash Lights	19.1		Kneeling & Tag	32.1		Test Switch	9.1		
Destination Sign	28.1		L			Transmission ECU	15.1-15.2		
Direct Lighting	24.1		Lavatory	11.1		Trailer Package	26.4		
Docking Lights	26.3		Low Buoy	32.1		U			
Driver's Light and Backlight	19.1		Luggage door Lock/Unlock	33.1		Under Floor Lighting	25.1		
Driver's Power Window	30.1		M			W			
Digital Clock	28.1		Main Distribution Ignition & Batt.	3.1		Watch your step	29.1		
E			Main Distribution Wake-Up	3.3		Wheelchair Lift Ricon	36.1		
Emergency and Aisle lights	20.1		Marker Lights	26.1,26.2		Window Ajar	27.1		
Engine brake and Retarder	12.1		Mirror Ramco	31.1		Wiper & Washer	34.1		

## WIRING DIAGRAM INDEX

Information Pages					
Multiplexed Devices Index	B1 – B8	Engine Start	3.2	Multiplexing Network	6.1
Arrangement – Harness	C1	Engine ECM	14.1	N	
Glossary	D	Engine Override	14.1	No Smoking Sign	11.1
Circuit Number Listing	E	Entrance door	29.1	P	
Circuit Breaker code	F	Ether Switch	13.1	Parcel Rack Fan	18.2
Connectors code	G	F		Park Brake Sensor	12.1
Diode Number Code	H	Fast Idle	14.1	Park Brake Trailer Sensor	12.1
Resistors Number Code	J	Fire Alarm	9.1	Parking Brake Release Switch	32.1
Fuses Code	L	Fire Extinguisher	38.1	Power Distribution FJB	4.1
Relay Code	K	Flashers	26.1,26.2	Power Distribution RJB	5.1
Functions		Fog lights	26.3	Power Outlet	30.1
A		Fuel Gauge	10.1	Pre-Heater	17.1
Abs	16.1	Fuel Prime Pump	13.1	Prime Pump	13.1
Air Dryer	32.1SP1	Fuel water Filter	13.1	Pneumatic Cut-Out Acc.	9.1
B		G		R	
Back-up Camera	28.1	Ground	2.1	Radiator Fan Clutch	13.1
Back-up lights and alarm	26.3	H		Reading Lamp	22.1
Back-up Sensor	28.1	Hat Rack Lighting	21.1	S	
Battery and Equalizer	1.1	Hazard	26.1	Service Brake Relay	12.1
Battery Charger	17.1	Head Lights	26.1	Sound System	35.1-35.2
Brake Pedal Sensor	12.1	Horn	9.1	Spare Wires	8.1
C		Hostess Chime	22.1	Stop lights	26.2
Charging System	3.2	Hvac Driver's Area	18.1	Sun Visor	30.1
Cigar lighter	30.1	Hvac Passenger	18.2	Steering Control ZF	37.1
Clearance lights rear & front	26.1,26.2	I		T	
Cluster	10.1	Indirect lighting	23.1	Tail and Licence Lights	26.2
Cornering Lights	26.3	K		Test Switch	9.1
Cruise control	14.1	Kneeling & Tag	32.1	Tire Monitoring System	39.1
D		L		Transmission ECU	15.1-15.2
Dash Lights	19.1	Lavatory	11.1	Trailer Package	26.4
Destination Sign	28.1	Low Buoy	32.1	U	
Direct Lighting	24.1	Luggage door Lock/Unlock	33.1	Under Floor Lighting	25.1
Docking Lights	26.3	M		Unload Tag Axel	32.1SP1
Driver's Light and Backlight	19.1	Main Distribution Ignition & Batt.	3.1	W	
Driver's Power Window	30.1	Main Distribution Wake-Up	3.3	Watch your step	29.1
Digital Clock	28.1	Marker Lights	26.1,26.2	Wheelchair Lift Ricon	36.1
E		Mirror Ramco	31.1	Window Ajar	27.1
Emergency and Aisle lights	20.1	Multiplexing Power	7.1	Wiper & Washer	34.1
Engine brake and Retarder	12.1				

## WIRING DIAGRAM INDEX

### Information Pages

Multiplexed Devices Index	B1 – B8
Arrangement – Harness	C1
Glossary	D
Circuit Number Listing	E
Circuit Breaker code	F
Connectors code	G
Diode Number Code	H
Resistors Number Code	J
Fuses Code	L
Relay Code	K

### Functions

<b>A</b>	
Abs	16.1
<b>B</b>	
Back-up Camera	28.1
Back-up lights and alarm	26.3
Battery and Equalizer	1.1
Battery Charger	17.1
Brake Pedal Sensor	12.1
<b>C</b>	
Charging System	3.2
Cigar lighter	30.1
Clearance lights rear & front	26.1,26.2
Cluster	10.1
Cornering Lights	26.3
Cruise control	14.1
<b>D</b>	
Dash Lights	19.1
Destination Sign	28.1
Direct Lighting	24.1
Docking Lights	26.3
Driver's Light and Backlight	19.1
Driver's Power Window	30.1
Digital Clock	28.1
<b>E</b>	
Emergency and Aisle lights	20.1
Engine brake and Retarder	12.1

Engine Start	3.2
Engine ECM	14.1
Engine Override	14.1
Entrance door	29.1
Ether Switch	13.1

### F

Fast Idle	14.1
Fire Alarm	9.1
Fire Extinguisher	38.1
Flashers	26.1,26.2
Fog lights	26.3
Fuel Gauge	10.1
Fuel Prime Pump	13.1
Fuel water Filter	13.1

### G

Ground	2.1
Galley	40.1

### H

Hat Rack Lighting	21.1
Hazard	26.1
Head Lights	26.1
Horn	9.1
Hostess Chime	22.1
Hvac Driver's Area	18.1
Hvac Passenger	18.2

### I

Indirect lighting	23.1
-------------------	------

### K

Kneeling & Tag	32.1
----------------	------

### L

Lavatory	11.1
Low Buoy	32.1
Luggage door Lock/Unlock	33.1

### M

Main Distribution Ignition & Batt.	3.1
Main Distribution Wake-Up	3.3
Marker Lights	26.1,26.2
Mirror Ramco	31.1

Multiplexing Power	7.1
--------------------	-----

Multiplexing Network	6.1
----------------------	-----

### N

No Smoking Sign	11.1
-----------------	------

### P

Parcel Rack Fan	18.2
Park Brake Sensor	12.1
Park Brake Trailer Sensor	12.1
Parking Brake Release Switch	32.1
Power Distribution FJB	4.1
Power Distribution RJB	5.1
Power Outlet	30.1
Pre-Heater	17.1
Prime Pump	13.1
Pneumatic Cut-Out Acc.	9.1

### R

Radiator Fan Clutch	13.1
Reading Lamp	22.1

### S

Service Brake Relay	12.1
Sound System	35.1-35.2
Spare Wires	8.1
Stop lights	26.2
Sun Visor	30.1
Steering Control ZF	37.1

### T

Tail and Licence Lights	26.2
Test Switch	9.1
Transmission ECU	15.1-15.2
Trailer Package	26.4

### U

Under Floor Lighting	25.1
----------------------	------

### W

Watch your step	29.1
Wheelchair Lift Ricon	36.1
Window Ajar	27.1
Wiper & Washer	34.1

## WIRING DIAGRAM INDEX

Information Pages		Engine Start	3.2	Multiplexing Power	7.1
Multiplexed Devices Index	B1 – B8	Engine ECM	14.1	Multiplexing Network	6.1
Arrangement – Harness	C1	Engine Override	14.1	N	
Glossary	D	Entrance door	29.1	Navigation System	35.4
Circuit Number Listing	E	Ether Switch	13.1	No Smoking Sign	11.1
Circuit Breaker code	F	F		P	
Connectors code	G	Fast Idle	14.1	Parcel Rack Fan	18.2
Diode Number Code	H	Fire Alarm	9.1	Park Brake Sensor	12.1
Resistors Number Code	J	Fire Extinguisher	38.1	Park Brake Trailer Sensor	12.1
Fuses Code	L	Flashers	26.1,26.2	Parking Brake Release Switch	32.1
Relay Code	K	Fog lights	26.3	Power Distribution FJB	4.1
Functions		Fuel Gauge	10.1	Power Distribution RJB	5.1
A		Fuel Prime Pump	13.1	Power Outlet	30.1
Abs	16.1	Fuel water Filter	13.1	Pre-Heater	17.1
B		G		Prime Pump	13.1
Back-up Camera	28.1	Ground	2.1	Pneumatic Cut-Out Acc.	9.1
Back-up lights and alarm	26.3	Galley	40.1	R	
Battery and Equalizer	1.1	H		Radiator Fan Clutch	13.1
Battery Charger	17.1	Hat Rack Lighting	21.1	Reading Lamp	22.1
Brake Pedal Sensor	12.1	Hazard	26.1	S	
C		Head Lights	26.1	Service Brake Relay	12.1
Charging System	3.2	Horn	9.1	Sound System	35.1-35.2
Cigar lighter	30.1	Hostess Chime	22.1	Spare Wires	8.1
Clearance lights rear & front	26.1,26.2	Hvac Driver's Area	18.1	Stop lights	26.2
Cluster	10.1	Hvac Passenger	18.2	Sun Visor	30.1
Cornering Lights	26.3	I		Steering Control ZF	37.1
Cruise control	14.1	Indirect lighting	23.1	T	
D		K		Tail and Licence Lights	26.2
Dash Lights	19.1	Kneeling & Tag	32.1	Test Switch	9.1
Destination Sign	28.1	L		Transmission ECU	15.1-15.2
Direct Lighting	24.1	Lavatory	11.1	Trailer Package	26.4
Docking Lights	26.3	Low Buoy	32.1	U	
Driver's Light and Backlight	19.1	Luggage door Lock/Unlock	33.1	Under Floor Lighting	25.1
Driver's Power Window	30.1	M		W	
Digital Clock	28.1	Main Distribution Ignition & Batt.	3.1	Watch your step	29.1
E		Main Distribution Wake-Up	3.3	Wheelchair Lift Ricon	36.1
Emergency and Aisle lights	20.1	Marker Lights	26.1,26.2	Window Ajar	27.1
Engine brake and Retarder	12.1	Mirror Ramco	31.1	Wiper & Washer	34.1



## WIRING DIAGRAM INDEX

### Information Pages

Multiplexed Devices Index Arrangement – Harness	B1 – B8
Glossary	C1
Circuit Number Listing	D
Circuit Breaker code	E
Connectors code	F
Diode Number Code	G
Resistors Number Code	H
Fuses Code	J
Relay Code	L
	K

### Functions

#### A

Abs Standard	16.1
Abs Advanced & Premium	16.2

#### B

Back-up Camera	28.1
Back-up lights and alarm	26.3
Battery and Equalizer	1.1
Battery Charger	17.1
Brake Pedal Sensor	12.1

#### C

Charging System	3.2
Cigar lighter	30.1
Clearance lights rear & front	26.1,26.2
Cluster	10.1
Cornering Lights	26.3
Cruise control	14.1

#### D

Dash Lights	19.1
Destination Sign	28.1
Direct Lighting	24.1
Docking Lights	26.3
Driver's Light and Backlight	19.1
Driver's Power Window	30.1
Digital Clock	28.1

#### E

Emergency and Aisle lights	20.1
Engine brake and Retarder	12.1

Engine Start	3.2
Engine ECM	14.1
Engine Override	14.1
Entrance door	29.1
Ether Switch	13.1

#### F

Fast Idle	14.1
Fire Alarm	9.1
Fire Extinguisher	38.1
Flashers	26.1,26.2
Fog lights	26.3
Fuel Gauge	10.1
Fuel Prime Pump	13.1
Fuel water Filter	13.1

#### G

Ground	2.1
Galley	40.1

#### H

Hat Rack Lighting	21.1
Hazard	26.1
Head Lights	26.1
Horn	9.1
Hostess Chime	22.1
Hvac Driver's Area	18.1
Hvac Passenger	18.2

#### I

Indirect lighting	23.1
-------------------	------

#### K

Kneeling & Tag	32.1
----------------	------

#### L

Lavatory	11.1
Low Buoy	32.1
Luggage door Lock/Unlock	33.1

#### M

Main Distribution Ignition & Batt.	3.1
Main Distribution Wake-Up	3.3
Marker Lights	26.1,26.2
Mirror Ramco	31.1
Multiplexing Power	7.1

Multiplexing Network	6.1
----------------------	-----

#### N

Navigation System	35.4
No Smoking Sign	11.1

#### P

Parcel Rack Fan	18.2
Park Brake Sensor	12.1
Park Brake Trailer Sensor	12.1
Parking Brake Release Switch	32.1
Power Distribution FJB	4.1
Power Distribution RJB	5.1
Power Outlet	30.1
Pre-Heater	17.1
Prime Pump	13.1
Pneumatic Cut-Out Acc.	9.1

#### R

Radiator Fan Clutch	13.1
Reading Lamp	22.1

#### S

Service Brake Relay	12.1
Sound System	35.1-35.2
Spare Wires	8.1
Stop lights	26.2
Sun Visor	30.1
Steering Control ZF	37.1

#### T

Tail and Licence Lights	26.2
Test Switch	9.1
Transmission ECU	15.1-15.2
Trailer Package	26.4

#### U

Under Floor Lighting	25.1
----------------------	------

#### W

Watch your step	29.1
Wheelchair Lift Ricon	36.1
Window Ajar	27.1
Wiper & Washer	34.1

# WIRING DIAGRAM INDEX

Information Pages		E	M	T			
Multiplexed Devices Index	B1 - B8	Emergency and Aisle lights	20.1	Main Distribution Ignition & Batt.	3.1	Tail and Licence Lights	26.2
Arrangement - Harness	C1	Engine brake and Retarder	12.1	Main Distribution Wake-Up	3.3	Test Switch	9.1
Glossary	D	Engine Start	3.2	Marker Lights	26.1,26.2	Transmission ECU	15.1-15.2
Circuit Number Listing	E	Engine ECM	14.1	Mirror Ramco	31.1	Trailer Package	26.4
Circuit Breaker code	F	Engine Override	14.1	Multiplexing Power	7.1		
Connectors code	G	Entrance door	29.1	Multiplexing Network	6.1		
Diode Number Code	H	Ether Switch	13.1				
Resistors Number Code	J						
Fuses Code	L			N		U	
Relay Code	K			Navigation System	35.4	Under Floor Lighting	25.1
		F		No Smoking Sign	11.1		
<b>Functions</b>		Fast Idle	14.1				
		Fire Alarm	9.1	P		W	
A		Fire Extinguisher	38.1	Parcel Rack Fan	18.2	Watch your step	29.1
Abs Standard	16.1	Flashers	26.1,26.2	Park Brake Sensor	12.1	Wheelchair Lift Ricon	36.1
Abs Advanced & Premium	16.2	Fog lights	26.3	Park Brake Trailer Sensor	12.1	Window Ajar	27.1
		Fuel Gauge	10.1	Parking Brake Release Switch	32.1	Wiper & Washer	34.1
B		Fuel Prime Pump	13.1	Power Distribution FJB	4.1		
Back-up Camera	28.1	Fuel water Filter	13.1	Power Distribution RJB	5.1		
Back-up lights and alarm	26.3			Power Outlet	30.1		
Battery and Equalizer	1.1	G		Pre-Heater	17.1		
Battery Charger	17.1	Grounds	2.1	Prime Pump	13.1		
Brake Pedal Sensor	12.1	Galley	40.1	Pneumatic Cut-Out Acc.	9.1		
		H		R			
C		Hat Rack Lighting	21.1	Radiator Fan Clutch	13.1		
Charging System	3.2	Hazard	26.1	Reading Lamp	22.1		
Cigar lighter	30.1	Head Lights	26.1				
Clearance lights rear & front	26.1,26.2	Horn	9.1				
Cluster	10.1	Hostess Chime	22.1	S			
Cornering Lights	26.3	Hvac Driver's Area	18.1	Service Brake Relay	12.1		
Cruise control	14.1	Hvac Passenger	18.2	Sound System	35.0 - 35.4		
				Spare Wires	8.1		
		K		Stop lights	26.2		
D		Kneeling & Tag	32.1	Sun Visor	30.1		
Dash Lights	19.1			Steering Control ZF	37.1		
Destination Sign	28.1	L					
Direct Lighting	24.1	Lavatory	11.1				
Docking Lights	26.3	Low Buoy	32.1				
Driver's Light and Backlight	19.1	Luggage door Lock/Unlock	33.1				
Driver's Power Window	30.1						
Digital Clock	28.1						

# WIRING DIAGRAM PAGES LIST

Information pages		D		L		T	
Multiplex output list	B1	Dash Lights	19.1	Lavatory	11.1	Tail and Licence Lights	26.2
Multiplex input list	B2	Destination Sign	28.1	Low Buoy	32.1	Test Switch	9.1
Multiplex error messages list	B3	Direct Lighting	24.1	Luggage Door Lock/Unlock	33.1, 33.2	Transmission ECU	15.1-15.2
Arrangement - Harness	C1	Docking Lights	26.3			Trailer Package	26.4
Sound System	C2	Driver's Light and Backlight	19.1	<b>M</b>			
Can Configuration	C3	Driver's Power Window	30.1	Main Distribution Ignition & Batt.	3.1	<b>U</b>	
Glossary	D	Digital Clock	28.1	Main Distribution Wake-Up	3.3	Under Floor Lighting	25.1
Circuit Number Listing	E			Marker Lights	26.1,26.2		
Circuit Breaker code	F	<b>E</b>		Mirror Ramco	31.1	<b>W</b>	
Connectors code	G	Emergency and Aisle lights	20.1	Multiplexing Power	7.1	Watch your step	29.1
Diode Number Code	H	Engine brake and Retarder	12.1	Multiplexing Network	6.1	Wheelchair Lift Ricon	36.1
Resistors Number Code	J	Engine Start	3.2			Window Ajar	27.1
Fuses Code	L	Engine ECM	14.1	<b>N</b>		Wiper & Washer	34.1
Relay Code	K	Engine Override	14.1	Navigation System	35.4		
		Entrance door & Lights	29.1	No Smoking Sign	11.1		
		Ether Start	13.1				
		Engine Volvo	14.2	<b>P</b>			
				Parcel Rack Fan	18.2		
<b>A</b>		<b>F</b>		Park Brake Sensor	12.1		
Abs Standard	16.1	Fast Idle	14.1	Park Brake Trailer Sensor	12.1		
Abs Advanced	16.2	Fire Alarm	9.1	Parking Brake Release Switch	32.1		
		Flashers	26.1,26.2	Power Distribution FJB	4.1		
<b>B</b>		Fog lights	26.3	Power Distribution RJB	5.1		
Back-up Camera	28.1	Fuel Gauge	10.1	Power Outlet	30.1		
Back-up lights and alarm	26.3	Fuel Prime Pump	13.1	Pre-Heater	17.1		
Battery and Equalizer	1.1	Fuel water Filter	13.1	Prime Pump	13.1		
Battery Charger	17.1			Pneumatic Cut-Out Acc.	9.1		
Brake Pedal Sensor	12.1	<b>G</b>					
		Grounds	2.1	<b>R</b>			
<b>C</b>		Galley	40.1	Radiator Fan Clutch	13.1		
Charging System	3.2			Reading Lamp	22.1		
Cigar lighter	30.1	<b>H</b>					
Clearance lights rear & front	26.1,26.2	Hat Rack Lighting	21.1	<b>S</b>			
Cluster	10.1	Hazard	26.1	Service Brake Relay	12.1		
Cornering Lights (Optional)	26.3	Head Lights	26.1	Sound System	35.0 - 35.4		
Cruise control	14.1	Horn	9.1	Spare Wires	8.1		
		Hostess Chime	22.1	Stop lights	26.2		
		Hvac Defroster	18.1	Sun Visor	30.1		
		Hvac Passenger	18.2	Steering Control ZF	37.1		
		<b>K</b>					
		Kneeling system	32.1				

# WIRING DIAGRAM PAGES LIST

Information pages		D		L		T	
Multiplex output list	B1	Dash Lights	19,1	Lavatory	11,1	Tail and Licence Lights	26,2
Multiplex input list	B2	Destination Sign	28,1	Low Buoy	32,1	Test Switch	9,1
Multiplex error messages list	B3	Direct Lighting	24,1	Luggage Door Lock/Unlock	33.1, 33.2	Transmission ECU	15.1-15.2
Arrangement - Harness	C1	Docking Lights	26,3			Trailer Package	26,4
Sound System	C2	Driver's Light and Backlight	19,1	<b>M</b>		TPMS	39,1
Can Configuration	C3	Driver's Power Window	30,1	Main Distribution Ignition & Batt.	3,1		
Glossary	D	Digital Clock	28,1	Main Distribution Wake-Up	3,3	<b>U</b>	
Circuit Number Listing	E			Marker Lights	26.1,26.2	Under Floor Lighting	25,1
Circuit Breaker code	F	<b>E</b>		Mirror Ramco	31,1		
Connectors code	G	Emergency and Aisle lights	20,1	Multiplexing Power	7,1	<b>W</b>	
Diode Number Code	H	Engine brake and Retarder	12,1	Multiplexing Network	6,1	Watch your step	29,1
Resistors Number Code	J	Engine Start	3,2			Wheelchair Lift Ricon	36,1
Fuses Code	L	Engine ECM	14,1	<b>N</b>		Window Ajar	27,1
Relay Code	K	Engine Override	14,1	Navigation System	35,4	Wiper & Washer	34,1
		Entrance door & Lights	29,1	No Smoking Sign	11,1		
		Ether Start	13,1				
		Engine Volvo	14,2	<b>P</b>			
				Parcel Rack Fan	18,2		
		<b>F</b>		Park Brake Sensor	12,1		
		Fast Idle	14,1	Park Brake Trailer Sensor	12,1		
		Fire Alarm	9,1	Parking Brake Release Switch	32,1		
		Flashers	26.1,26.2	Power Distribution FJB	4,1		
<b>A</b>		Fog lights	26,3	Power Distribution RJB	5,1		
Abs Standard	16,1	Fuel Gauge	10,1	Power Outlet	30,1		
Abs Advanced	16,2	Fuel Prime Pump	13,1	Pre-Heater	17,1		
		Fuel water Filter	13,1	Prime Pump	13,1		
<b>B</b>				Pneumatic Cut-Out Acc.	9,1		
Back-up Camera	28,1	<b>G</b>					
Back-up lights and alarm	26,3	Grounds	2,1	<b>R</b>			
Battery and Equalizer	1,1	Galley	40,1	Radiator Fan Clutch	13,1		
Battery Charger	17,1			Reading Lamp	22,1		
Brake Pedal Sensor	12,1	<b>H</b>					
		Hat Rack Lighting	21,1	<b>S</b>			
<b>C</b>		Hazard	26,1	Service Brake Relay	12,1		
Charging System	3,2	Head Lights	26,1	Sound System	35.0 - 35.4		
Cigar lighter	30,1	Horn	9,1	Spare Wires	8,1		
Clearance lights rear & front	26.1,26.2	Hostess Chime	22,1	Stop lights	26,2		
Cluster	10,1	Hvac Defroster	18,1	Sun Visor	30,1		
Cornering Lights (Optional)	26,3	Hvac Passenger	18,2	Steering Control ZF	37,1		
Cruise control	14,1			Steering Multifunctions	41,1		
		<b>K</b>					
		Kneeling system	32,1				

# WIRING DIAGRAM PAGES LIST

Information pages		D		K		T	
Multiplex output list	B1	Dash Lights	19.1	Kneeling system	32.1	Tail and Licence Lights	26.2
Multiplex input list	B2	Destination Sign	28.1			Test Switch	9.1
Multiplex error messages list	B3	Direct Lighting	24.1	L		Transmission ECU	15.1-15.2
Arrangement - Harness	C1	Docking Lights	26.3	Lavatory	11.1	Trailer Package	26.4
Sound System	C2	Driver's Light and Backlight	19.1	Low Buoy	32.1		
Can Configuration	C3	Driver's Power Window	30.1	Luggage Door Lock/Unlock	33.1, 33.2	U	
Glossary	D	Digital Clock	28.1			Under Floor Lighting	25.1
Circuit Number Listing	E			M			
Circuit Breaker code	F	E		Main Distribution Ignition & Batt.	3.1	W	
Connectors code	G	Emergency and Aisle lights	20.1	Main Distribution Wake-Up	3.3	Watch your step	29.1
Diode Number Code	H	Engine brake and Retarder	12.1	Marker Lights	26.1,26.2	Wheelchair Lift Ricon	36.1
Resistors Number Code	J	Engine Start	3.2	Mirror Ramco	31.1	Window Ajar	27.1
Fuses Code	L	Engine ECM	14.1	Multiplexing Power	7.1	Wiper & Washer	34.1
Relay Code	K	Engine Override	14.1	Multiplexing Network	6.1		
D061020PB	B1	Entrance door & Lights	29.1				
MULTIPLEX INPUT LIST	B2	Ether Start	13.1	N			
MULTIPLEX ERROR MESSAGE LIST	B3	Engine Volvo	14.2	Navigation System	35.4		
Multiples Output List	B1			No Smoking Sign	11.1		
Multiples Input List	B2	F					
Multiples Error Messages List	B3	Fast Idle	14.1	P			
Shéma Général	C1.	Fire Alarm	9.1	Parcel Rack Fan	18.2		
		Flashers	26.1,26.2	Park Brake Sensor	12.1		
<b>A</b>		Fog lights	26.3	Park Brake Trailer Sensor	12.1		
Abs Standard	16.1	Fuel Gauge	10.1	Parking Brake Release Switch	32.1		
Abs Advanced	16.2	Fuel Prime Pump	13.1	Power Distribution FJB	4.1		
		Fuel water Filter	13.1	Power Distribution RJB	5.1		
<b>B</b>				Power Outlet	30.1		
Back-up Camera	28.1	G		Pre-Heater	17.1		
Back-up lights and alarm	26.3	Grounds	2.1	Prime Pump	13.1		
Battery and Equalizer	1.1	Galley	40.1	Pneumatic Cut-Out Acc.	9.1		
Battery Charger	17.1						
Brake Pedal Sensor	12.1	H		R			
		Hat Rack Lighting	21.1	Radiator Fan Clutch	13.1		
<b>C</b>		Hazard	26.1	Reading Lamp	22.1		
Charging System	3.2	Head Lights	26.1				
Cigar lighter	30.1	Horn	9.1	S			
Clearance lights rear & front	26.1,26.2	Hostess Chime	22.1	Service Brake Relay	12.1		
Cluster	10.1	Hvac Defroster	18.1	Sound System	35.0 - 35.4		
Cornering Lights (Optional)	26.3	Hvac Passenger	18.2	Spare Wires	8.1		
Cruise control	14.1			Stop lights	26.2		
		J		Sun Visor	30.1		
		J1939 AND J1587 NETWORKS	6.2	Steering Control ZF	37.1		
				Steering Multifunctions	41.1		

# WIRING DIAGRAM PAGES LIST

Information pages		D		K		T	
Multiplex output list	B1	Dash Lights	19.1	Kneeling system	32.1	Tail and Licence Lights	26.2
Multiplex input list	B2	Destination Sign	28.1			Test Switch	9.1
Multiplex error messages list	B3	Direct Lighting	24.1	<b>L</b>		Transmission ECU	15.1-15.2
Arrangement - Harness	C1	Docking Lights	26.3	Lavatory	11.1	Trailer Package	26.4
Sound System	C2	Driver's Light and Backlight	19.1	Low Buoy	32.1		
Can Configuration	C3	Driver's Power Window	30.1	Luggage Door Lock/Unlock	33.1, 33.2	<b>U</b>	
Glossary	D	Digital Clock	28.1			Under Floor Lighting	25.1
Circuit Number Listing	E			<b>M</b>			
Circuit Breaker code	F	<b>E</b>		Main Distribution Ignition & Batt.	3.1	<b>W</b>	
Connectors code	G	Emergency and Aisle lights	20.1	Main Distribution Wake-Up	3.3	Watch your step	29.1
Diode Number Code	H	Engine brake and Retarder	12.1	Marker Lights	26.1, 26.2	Wheelchair Lift Ricon	36.1
Resistors Number Code	J	Engine Start	3.2	Mirror Ramco	31.1	Window Ajar	27.1
Fuses Code	L	Engine ECM	14.1	Multiplexing Power	7.1	Wiper & Washer	34.1
Relay Code	K	Engine Override	14.1	Multiplexing Network	6.1		
D061020PB	B1	Entrance door & Lights	29.1				
MULTIPLEX INPUT LIST	B2	Ether Start	13.1	<b>N</b>			
MULTIPLEX ERROR MESSAGE LIST	B3	Engine Volvo	14.2	Navigation System	35.4		
Multiples Output List	B1			No Smoking Sign	11.1		
Multiples Input List	B2	<b>F</b>					
Multiples Error Messages List	B3	Fast Idle	14.1	<b>P</b>			
Shéma Général	C1.	Fire Alarm	9.1	Parcel Rack Fan	18.2		
		Flashers	26.1, 26.2	Park Brake Sensor	12.1		
<b>A</b>		Fog lights	26.3	Park Brake Trailer Sensor	12.1		
Abs Standard	16.1	Fuel Gauge	10.1	Parking Brake Release Switch	32.1		
Abs Advanced	16.2	Fuel Prime Pump	13.1	Power Distribution FJB	4.1		
		Fuel water Filter	13.1	Power Distribution RJB	5.1		
<b>B</b>				Power Outlet	30.1		
Back-up Camera	28.1	<b>G</b>		Pre-Heater	17.1		
Back-up lights and alarm	26.3	Grounds	2.1	Prime Pump	13.1		
Battery and Equalizer	1.1	Galley	40.1	Pneumatic Cut-Out Acc.	9.1		
Battery Charger	17.1						
Brake Pedal Sensor	12.1	<b>H</b>		<b>R</b>			
		Hat Rack Lighting	21.1	Radiator Fan Clutch	13.1		
<b>C</b>		Hazard	26.1	Reading Lamp	22.1		
Charging System	3.2	Head Lights	26.1				
Cigar lighter	30.1	Horn	9.1	<b>S</b>			
Clearance lights rear & front	26.1, 26.2	Hostess Chime	22.1	Service Brake Relay	12.1		
Cluster	10.1	Hvac Defroster	18.1	Sound System	35.6		
Cornering Lights (Optional)	26.3	Hvac Passenger	18.2	Spare Wires	8.1		
Cruise control	14.1			Stop lights	26.2		
		<b>J</b>		Sun Visor	30.1		
		J1939 AND J1587 NETWORKS	6.2	Steering Control ZF	37.1		
				Steering Multifunctions	41.1		

# WIRING DIAGRAM PAGES LIST

Information pages		D		K		T	
Multiplex output list	B1	Dash Lights	19.1	Kneeling system	32.1	Tail and Licence Lights	26.2
Multiplex input list	B2	Destination Sign	28.1			Test Switch	9.1
Multiplex error messages list	B3	Direct Lighting	24.1	<b>L</b>		Transmission ECU	15.1-15.2
Arrangement - Harness	C1	Docking Lights	26.3	Lavatory	11.1	Trailer Package	26.4
Sound System	C2	Driver's Light and Backlight	19.1	Low Buoy	32.1		
Can Configuration	C3	Driver's Power Window	30.1	Luggage Door Lock/Unlock	33.1, 33.2	<b>U</b>	
Glossary	D	Digital Clock	28.1			Under Floor Lighting	25.1
Circuit Number Listing	E			<b>M</b>			
Circuit Breaker code	F	<b>E</b>		Main Distribution Ignition & Batt.	3.1	<b>W</b>	
Connectors code	G	Emergency and Aisle lights	20.1	Main Distribution Wake-Up	3.3	Watch your step	29.1
Diode Number Code	H	Engine brake and Retarder	12.1	Marker Lights	26.1, 26.2	Wheelchair Lift Ricon	36.1
Resistors Number Code	J	Engine Start	3.2	Mirror Ramco	31.1	Window Ajar	27.1
Fuses Code	L	Engine ECM	14.1	Multiplexing Power	7.1	Wiper & Washer	34.1
Relay Code	K	Engine Override	14.1	Multiplexing Network	6.1		
D061020PB	B1	Entrance door & Lights	29.1				
MULTIPLEX INPUT LIST	B2	Ether Start	13.1	<b>N</b>			
MULTIPLEX ERROR MESSAGE LIST	B3	Engine Volvo	14.2				
Multiples Output List	B1			No Smoking Sign	11.1		
Multiples Input List	B2	<b>F</b>					
Multiples Error Messages List	B3	Fast Idle	14.1	<b>P</b>			
		Fire Alarm	9.1	Parcel Rack Fan	18.2		
		Flashers	26.1, 26.2	Park Brake Sensor	12.1		
<b>A</b>		Fog lights	26.3	Park Brake Trailer Sensor	12.1		
Abs Standard	16.1	Fuel Gauge	10.1	Parking Brake Release Switch	32.1		
Abs Advanced	16.2	Fuel Prime Pump	13.1	Power Distribution FJB	4.1		
		Fuel water Filter	13.1	Power Distribution RJB	5.1		
<b>B</b>				Power Outlet	30.1		
Back-up Camera	28.1	<b>G</b>		Pre-Heater	17.1		
Back-up lights and alarm	26.3	Grounds	2.1	Prime Pump	13.1		
Battery and Equalizer	1.1	Galley	40.1	Pneumatic Cut-Out Acc.	9.1		
Battery Charger	17.1						
Brake Pedal Sensor	12.1	<b>H</b>		<b>R</b>			
		Hat Rack Lighting	21.1	Radiator Fan Clutch	13.1		
<b>C</b>		Hazard	26.1	Reading Lamp	22.1		
Charging System	3.2	Head Lights	26.1				
Cigar lighter	30.1	Horn	9.1	<b>S</b>			
Clearance lights rear & front	26.1, 26.2	Hostess Chime	22.1	Service Brake Relay	12.1		
Cluster	10.1	Hvac Defroster	18.1	Sound System (Audio/Video)	35.3, 35.6, 35.7		
Cornering Lights (Optional)	26.3	Hvac Passenger	18.2	Spare Wires	8.1		
Cruise control	14.1			Stop lights	26.2		
		<b>J</b>		Sun Visor	30.1		
		J1939 AND J1587 NETWORKS	6.2	Steering Control ZF	37.1		
				Steering Multifunctions	41.1		

# MULTIPLEXED DEVICES INDEX

DEVICE ID	ERROR MESSAGE IN CLUSTER	MINIMUM SET OF CONDITIONS TO ACTIVATE <sup>1</sup>	OTHER INPUTS INVOLVED IN LOGIC	MODULE ID	MODULE PIN #	WIRING PAGE
				A36	JA:11	35
	Dash Backlight Pot1	Ignition Key(Sw83.C) and Sw2	Batsaver	A44	J1:20	19
	Trans Inhibit A1			A50	J1:2	15
	WCL Power Sw			A42	J1:6	36
A1:CS:11	Eng Br Sig to Tran A1		N/A	A50	J1:21	15
A1:CS:31	Check Trans sig A1			A49	J1:10	15
A1:CV:18	Retarder signal A1	Retarder in action	N/A	A50	J1:12	15
A1:CV:4	Trans reverse A1:CV.4	Transmission in reverse	N/A	A50	J1:9	15
A1:CV:6	Trans neutral sens A1	Transmission to neutral	N/A	A49	J1:17	15
A15	Engine Run Sig A15	J1939 (engine Speed) > 400 RPM	N/A	A36	JA:13	7
A8:J1:1	Check Eng Sig A8	Red Dash switch override	N/A	A42	J1:10	14
A8:J1:2	Stop Eng Signal In A8	Red Dash switch override	N/A	A42	J1:9	14
A8:J1:4	Eng Fan Spd1 Req A8		N/A	A52	J1:9	13
A8:J1:40	Eng Brk Active Sig A8	Engine Brake in action	N/A	A51	J1:11	12
A8:J1:5	Eng Fan Spd2 Req A8		N/A	A52	J1:10	13
A8:J1:50	Park Brake to ECM A8	ParkBrake Sens (Se18) active	N/A	A51	J1:1	14
A8:J1:55	Cruise TTLT			A49	J1:3	14
A8:J1:9	Cruise En Sig To Ecm	Relay R8 Installed and Switch Sw35 Active		A51	J1:2	14
A9	ATC Signal A9	ATC Active		A41	J1:8	16
A9	ABS Warning A9		N/A	A41	J1:9	16
Bat12	N/A	Voltage on Module A51 pin J1:1	N/A	A51	J2:2	7
Bat24	N/A	Voltage on Module A52 pin J2:2	N/A	A52	J2:2	7
BatSaver	N/A	Bat24 < 24.4 Volt for more than 30 seconds	Fr Start (Sw83), Rear Start (Sw58), Ignition key (Sw83.C)	A52	N/A	7
L1,L202	Watch Step Lts L1	Door Open switch (Sw33 or Sw34) Active	BatSaver,SE16, Se17, Sw32, Sw34	A43	J1:13	29
L142	Lav Fluo L142	Lav door (Sw54) active	N/A	A50	J1:20	11
L143	Lav Fr Occ Lt L143	Lav door (Sw54) active	Battery Saver (BatSaver)	A41	J1:13	11
L16	Driver light L16	Driver Light (Sw24) active	Batsaver	A44	J1:3	19
L17	Ceiling door It L17	Door Open switch (Sw33 or Sw34) Active	SE16, Se17, Sw32, Sw34	A44	J1:5	29
L173,L174	Eng Cmpnt Bulb L173	Engine door sensor (Se30, Se31) active	Batsaver	A51	J1:20	25
L176,,L183	Under floor lights L176	Batsaver inactive		A46	J1:20	25

**NOTE 1: THE VEHICLE IGNITION IS NOT MENTIONED IN THE CONDITIONS BUT IS REQUIRED.**



# MULTIPLEXED DEVICES INDEX

DEVICE ID	ERROR MESSAGE IN CLUSTER	MINIMUM SET OF CONDITIONS TO ACTIVATE <sup>1</sup>	OTHER INPUTS INVOLVED IN LOGIC	MODULE ID	MODULE PIN #	WIRING PAGE
L18,L19,L20	Step Lts L18 L19 L20	Door Open switch (Sw33 or Sw34) Active	SE16, Se17, Sw32, Sw34	A47	J1:5	29
L184	FJB Light L184	Batsaver inactive		A43	J1:12	25
L185,L186	Elec Horn L185 L186	Elec. Horn switch (Sw61, Sw62)	FireSens (Se1, Se2, Se3)	A45	J1:20	9
L188	Kneeling Alm L188	Conditions for Kneeling Up (SO15) or Kneeling Down (SO16) active	N/A	A42	J1:14	32
L198	Driver Def Fan L198	One alternator running (Res13 or Res14 Active)	N/A	A47	J1:1	18.1
L199	Unloader RH L199	Activation Conditions for the A/C compressor (So9) met and Passenger temp. Set point at least 3 degree above the actual passenger temperature (SE25)	A/C pres LoSd (SE24)	A52	J1:21	18.2
L2	Smoking Light L2	Ignition Key (Sw83.C) active	N/A	A42	J1:11	11
L200	Unloader LH L200	Activation Conditions for the A/C compressor (So9) met and Passenger temp. Set point at least 2 degree above the actual passenger temperature (SE25)	A/C pres LoSd (SE24), A/C Pres HiSd (SE23)	A52	J1:8	18.2
L203	Drv Rec Cylind L203			A47	J1:2	18.1
L205	Rec. Cylinder L205	REC switch on the HVAC control	N/A	A54	J1:20	18.2
L206	WCL top light					36
L206				A50	J1:1	36
L207				A53	J1:5	36
L207				A53	J1:2	36
L21, ,L27	FR Clearance lights L21	Head ligh (Sw2.3) active	Batsaver, Hdlight blinker (Sw1)	A44	J1:8	26.1
L59	High Beam RH L59	Head Pos 2 (Sw2.6) , High - Low beam Sw 1 actives	Batsaver, Head light blinker Sw1	A48	J1:3	26.1
L59	Low Beam RH L59	Head Pos 2 (Sw2.6) active and High - Low beam Sw 1 inactive	Batsaver, Head light blinker Sw1	A48	J1:4	26.1
L60	High Beam LH L60	Head Pos 2 (Sw2.6) , High - Low beam Sw 1 actives	Batsaver, Head light blinker Sw1	A45	J1:6	26.1
L60	Low Beam LH L60	Head Pos 2 (Sw2.6) active and High - Low beam Sw 1 inactive	Batsaver, Head light blinker Sw1	A45	J1:7	26.1
L61	Front flash RH L61	Hazard Switch (Sw4)	Flasher RH Sw1, Ignition Sw83.C, Batsaver, Trans reverse (A1:CV.4)	A48	J1:6	26.1
L61	Front mkr lts RH L61	Head ligh (Sw2.3)	Batsaver, Hdlight blinker (Sw1)	A48	J1:7	26.1
L62	Front flash LH L62	Hazard Switch (Sw4)	Flasher LH Sw1, Ignition Sw83.C, Batsaver, Trans reverse (A1:CV.4)	A45	J1:3	26.1
L62	Front mkr lts LH L62	Head ligh (Sw2.3)	Batsaver, Hdlight blinker (Sw1)	A45	J1:21	26.1

**NOTE 1: THE VEHICLE IGNITION IS NOT MENTIONED IN THE CONDITIONS BUT IS REQUIRED.**

# MULTIPLEXED DEVICES INDEX

DEVICE ID	ERROR MESSAGE IN CLUSTER	MINIMUM SET OF CONDITIONS TO ACTIVATE <sup>1</sup>	OTHER INPUTS INVOLVED IN LOGIC	MODULE ID	MODULE PIN #	WIRING PAGE
L64	Fr Side flsh RH L64	Hazard Switch (Sw4)	Flasher RH Sw1, Ignition Sw83.C, Batsaver, Trans reverse (A1:CV.4)	A48	J1:20	26.1
L67,L69	Center mkr lts L67,L69	Head lighth (Sw2.3)	Batsaver, Hdlight blinker (Sw1)	A50	J1:8	26.2
L68	Center flash RH L68	Hazard Switch (Sw4)	Flasher RH Sw1, Ignition Sw83.C, Batsaver, Trans reverse (A1:CV.4)	A50	J1:7	26.2
L70	Center flash LH L70	Hazard Switch (Sw4)	Flasher LH Sw1, Ignition Sw83.C, Batsaver, Trans reverse (A1:CV.4)	A50	J1:5	26.2
L71, L75	Rear flsh LH L71 L75	Hazard Switch (Sw4)	Flasher LH Sw1, Ignition Sw83.C, Batsaver, Trans reverse (A1:CV.4)	A51	J1:21	26.2
L72, L74, L77,,L80	Tail lights L72 L74 L77	Head lighth (Sw2.3)	Batsaver, Hdlight blinker (Sw1)	A51	J1:8	26.2
L73, L76	Rear flsh RH L73 L76	Hazard Switch (Sw4)	Flasher RH Sw1, Ignition Sw83.C, Batsaver, Trans reverse (A1:CV.4)	A51	J1:3	26.2
L77, L79	Lower Stop Lamps L77	Brk Lts Sens (Se19) Active	J1939 (Engine run), Se18, Eng Brake Active (A8:J3.Y3), Park Brake (Se18)	A50	J1:6	12
L78,L80	Upper Stop Lamps L78	Brk Lts Sens (Se19)	J1939 (Engine run), Se18, Eng Brake Active (A8:J3.Y3), Park Brake SE18	A51	J1:6	26.2
L81	Cyclope Lamp L81	Brake pedal pressed		A51	J1:7	26.2
L84,,L90	Rr Clearance lights L84	Head lighth (Sw2.3)	Batsaver, Hdlight blinker (Sw1)	A50	J1:4	26.2
L91,L92,L187	Backup Light & Alm L91	trans reverse (A1:CV.4)	Batsaver	A50	J1:3	26.3
L93	LH Docking light L93	trans reverse (A1:CV.4)	Batsaver	A51	J1:4	26.3
L94	RH Docking light L94	trans reverse (A1:CV.4)	Batsaver	A51	J1:5	26.3
L95	Fog's lights L95	Dash Fog Light Switch		A45	J1:4	26.3
L96	Fog's lights L96	Dash Fog Light Switch		A48	J1:8	26.3
L97	LH Cornering Lts L97	Flasher LH (Sw1)	N/A	A45	J1:5	26.3
L98	RH Cornering light L98	Flasher RH (Sw1)	N/A	A48	J1:5	26.3
M05	Upper Def Fan MO5			A46	J1:7	18.1
Mo10	P Rack Fan LH MO10	Parcel Rack Fan Switch (Sw27) active and two alternator charging (Res13 and Res14 active) and HVAC Passenger ON	N/A	A54	J1:1	18.2
Mo11	P Rack Fan RH MO11	Parcel Rack Fan Switch (Sw27) active and two alternator charging (Res13 and Res14 active) and HVAC Passenger ON	N/A	A54	J1:2	18.2

**NOTE 1: THE VEHICLE IGNITION IS NOT MENTIONED IN THE CONDITIONS BUT IS REQUIRED.**

## MULTIPLEXED DEVICES INDEX

DEVICE ID	ERROR MESSAGE IN CLUSTER	MINIMUM SET OF CONDITIONS TO ACTIVATE <sup>1</sup>	OTHER INPUTS INVOLVED IN LOGIC	MODULE ID	MODULE PIN #	WIRING PAGE
Mo12	Pass. Wtr pump MO12	HVAC Passenger On, Two alternator charging (Res13 and Res14 active), and A/C compressor (SO9) inactive.	N/A	A54	J1:4	18.2
Mo13	Flushing Pump Mo13	Lavatory flush Switch (Sw56) active	N/A	A52	J1:7	11
Mo14	Lavatory Fan MO14	J1939 (engine run)	N/A	A52	J1:4	11
Mo18	Up washer pmp MO18	Up Washer (Sw6)	Batsaver	A46	J1:4	34
Mo19,Mo20	Lower wash. Mo19	Lower Washer (Sw1.6)	Batsaver	A46	J1:3	34
MO2	Engine fan Spd1 MO2	Eng Fan dash switch (sw22) active	Eng Fan spd1 Req (A8:J2.A2), Retarder Sig (A1:CV.18)	A52	J1:1	13
MO2	Engine fan Spd2 MO2	Eng Fan Sp2 Req (A8:J3.W3) Active	Retarder Sig (A1:CV.18)	A52	J1:2	13
Mo21	Upper wiper Mot MO21	Upper wip (Sw5.6)	Batsaver,Sw5.3, Sw6	A46	J1:2	34
Mo22	Low Wip Spd1 Mo22	Lower wip spd1 (Sw1.3) active	Sw1.7, Sw1.6, Batsaver	A47	J1:3	34
Mo22	Low Wip Spd2 Mo22	Lower wip spd2 (Sw1.2) active	Batsaver	A47	J1:4	34
Mo23	RJB Fan Mo23			A53	J1:7	9
Mo3	Drv air Trap MO3	Dash air flap to Feet (300 msec pulse)	N/A	A44	J1:1	18.1
Mo3	Drv air Trap MO3	Dash air flap to Defrost (300 msec pulse)	N/A	A44	J1:2	18.1
Mo4A	Foot trap Mo4A	Dash Air flap selection to Body. Provides an Active pulse for 80 msec when turning Ignition ON	N/A	A45	J1:1	18.1
Mo4B	Foot trap Mo4B	Dash Air flap selection to Body/Feet. Provides an Active pulse for 80 msec when turning Ignition ON	N/A	A45	J1:2	18.1
Mo6	Up Def Wtr Pmp MO6			A47	J1:20	18.1
Mo9	Evap spd2 MO9	Passenger Temp set point at least 2 Deg C below the Passenger Temp Sensor (Se25), HVAC Passenger ON, Two alternators charging (Res13 and Res14 active), Evap Spd1 rly (R12) active since 3 seconds	N/A	A53	J1:21	18.2
R10	Cond Rly spd1 R10	A/C Pres HiSd > 138 PSI and HVAC Passenger ON and demand for cooling (Passenger temp set point 2 degree below the actual temperature Se25) and two alternator charging (Res13 and Res14 active)	Outside temperature (Se20) > 0 Deg C, A/C pres LoSd (SE24)	A54	J1:5	18.2
R12	Evap spd1 rly R12	HVAC Passenger ON, Ignition (Sw83.C) Active and Two alternators charging (Res13 and Res14 active)	N/A	A54	J1:7	18.2
R13	Indir Lts Rly R13	indir Lts (Sw25) active	Batsaver	A49	J1:12	23

**NOTE 1: THE VEHICLE IGNITION IS NOT MENTIONED IN THE CONDITIONS BUT IS REQUIRED.**

# MULTIPLEXED DEVICES INDEX

DEVICE ID	ERROR MESSAGE IN CLUSTER	MINIMUM SET OF CONDITIONS TO ACTIVATE <sup>1</sup>	OTHER INPUTS INVOLVED IN LOGIC	MODULE ID	MODULE PIN #	WIRING PAGE
R14	Read Lts Rly R14	Read Lts (Sw26) active	Batsaver, Two alternator charging (Res13 and Res14)	A49	J1:15	22
R15	Emgy & Aisle Lts R15	Head light (Sw2) position 1 or 2	Batsaver	A49	J1:13	20
R16	Flash Audible Rly R16	Hazard Switch (Sw4)	Flasher LH SW1, Flasher RH Sw1, Ignition Sw83.C, Batsaver, Trans reverse (A1:CV.4)	A45	J1:8	26.1
R17,R18,R19	Wake Up Rly R17-R19	Rear Cutout switch (Sw82) in its normal close position (active)	Door open Switch (Sw33-Sw34), fire sensors (Se1, Se2, Se3), Hazard switch (sw4)	A36	JA:15	3.3
R21	Emergency Relay R21	Starter sensor (So2) active with the Fr start (Sw83.C) and Rr start (Sw59) inactive	Sw83.C, J1939 (engine run)	A36	JA:24	3.2
R6	Direct Lts Relay R6	direct Lts (Sw25)	Batsaver, Two alternator charging (Res13 and Res14)	A49	J1:11	24
R8	Service Brake Rly R8	Brake released and Coil of relay R8 Open circuit	N/A	A49	J1:21	12
R9	Cond Rly spd2 R9	A/C Pres HiSd > 195 PSI and HVAC Passenger ON and demand for cooling (Passenger temp set point 2 degree below the actual temperature Se25) and two alternator charging (Res13 and Res14 active)	Outside temperature (Se20) > 0 Deg C, A/C pres LoSd (SE24)	A53	J1:8	18.2
Res13	Alternator 1 RES13	Alternator 1 running, Vpin > 21V (Vpin < 3V = not running)	N/A	A49	J1:8	3.2
Res14	Alternator 2 RES14	Alternator 2 running Vpin > 21V (Vpin < 3V= not running)	N/A	A49	J1:9	3.2
Se1,Se2,Se3	FireSens Se1 Se2 Se3	Temp > 300 F (150 C) on any of the sensor	N/A	A36	JB:5	9
Se11	Low Fuel Sens SE11	Less than 12 US gallon (45 liters) in fuel tank	N/A	A54	J1:10	10
Se12	Fuel Filt Sens Se12	Humidity in fuel filter	N/A	A49	J1:20	13
Se15	Ent Full open SE15	Door full open	N/A	A47	J1:10	29
Se16	Ent Unlk sens SE16	Door unlocked (Air released in door lock)	N/A	A47	J1:11	29
Se17	Ent close Sens SE17	Entrance Door touching the structure ground (Door closed)	N/A	A48	J1:11	29
Se18	Park brake Sens Se18	Park brake applied	N/A	A36	JB:9	12
Se19	Brk Its Sens SE19	Brake pedal pressed	N/A	A36	JB:13	12
Se19	Brk Its Sens SE19	Brake pedal pressed	N/A	A51	J1:10	12
Se20	OutDoor Sens SE20	2.6 K = 25 °C, 7.3 K = 0°C	N/A	A54	J1:14	18.1
Se21	Driver Sensor SE21	2.6 K = 25 °C, 7.3 K = 0°C	N/A	A46	J1:13	18.1

**NOTE 1: THE VEHICLE IGNITION IS NOT MENTIONED IN THE CONDITIONS BUT IS REQUIRED.**

# MULTIPLEXED DEVICES INDEX

DEVICE ID	ERROR MESSAGE IN CLUSTER	MINIMUM SET OF CONDITIONS TO ACTIVATE <sup>1</sup>	OTHER INPUTS INVOLVED IN LOGIC	MODULE ID	MODULE PIN #	WIRING PAGE
Se23	A/C Pres HiSd SE23	0.45 V = 0 PSI, 4.6 V = 420 PSI	N/A	A52	J1:13	18.2
Se24	A/C Pres LoSd SE24	0.45 V = 0 PSI, 4.6 V = 420 PSI	N/A	A52	J1:14	18.2
Se25	Pass. Sensor SE25	2.6 K = 25 °C, 7.3 K = 0°C	N/A	A54	J1:13	18.2
Se26	Knee press sens SE26	Front suspension air bags partly filled (P > 30 PSI) (Deactivation P<15 PSI)	N/A	A41	J1:18	32
Se27	Knee proxi sens SE27	Vehicle level lower than its normal position	N/A	A41	J1:19	32
Se27	Knee proxi pwr SE27	Ignition Key (SW83.C)	Batsaver	A41	J1:12	32
Se28	Lugg Unlk Sens SE28	Luggage door unlocked (Pressure on sensor > 60 PSI)	N/A	A46	J1:12	33
Se30,Se31	Eng Cmpt Se30,31	Engine Door Opened	N/A	A52	J1:12	25
Se4,,Se10	Window sensor Se4-10	One of the window opened	N/A	A42	J1:3	27
So1	Eng. Ether Sol SO1	Ether Switch (Sw23) active with engine not running	N/A	A52	J1:6	13
So10	P Rack Rfg sol SO10	Ignition Key (SW83.C) and Driver Light (Sw24) active	N/A	A53	J1:20	18.2
So11	Pass Rfg Sol SO11	Activation Conditions for the A/C compressor (SO9) met.	N/A	A54	J1:3	18.2
So13	Pass Heat Sol SO13	(Note: The output need to be inactive to heat since the valve is a NO) To get the output inactive the conditions are: A heating demand for passenger (Pass Temp. Set point higher than Passenger sensor reading Se25) and Two alternator charging (Res13 and Res14 Active).	N/A	A54	J1:8	18.2
So14	Rr Hi buoy Sol SO14			A41	J1:30	32
So15	Knee Up Sol SO15	Knee Up (Sw10), Knee Prox (Se27) Active	N/A	A41	J1:15	32
So16	Knee down Sol SO16	Knee Down (Sw10), Knee Pre sens (Se26) actives and Ent door close (SE17), J1939 (Veh Speed) <5	Knee Up (Sw10), ParkBrake Sens (Se18)	A41	J1:14	32
So17	Park brake Sol SO17	Knee Down (Sw10),Ent door close (SE17), J1939 (Veh Speed) <5	Knee Up (Sw10), Se26, ParkBrake Sens (Se18), SE27	A42	J1:12	32
So17	Park brake Sol SO17	Knee Down (Sw10),Ent door close (SE17), J1939 (Veh Speed) <5	Knee Up (Sw10), Se26, ParkBrake Sens (Se18), SE27	A42	J1:30	32
So18	Lugg unlock Sol SO18	Lugg unlock Sw18 active	N/A	A42	J1:16	33
So19	Lugg lock Sol SO19	Lugg lock (Sw18) active	N/A	A42	J1:13	33
So2:2	Starter active SO2	Vpin > 21 V (Vpin < 3V = inactive)	N/A	A36	JB:16	3.2
SO2:4	Starter Relay SO2	Trans neutral sens (A1:CV.6), Fr start enable (Sw58) and Fr start (Sw83.C) active	Rr start enable (Sw58), Sw59	A53	J1:6	3.2

**NOTE 1: THE VEHICLE IGNITION IS NOT MENTIONED IN THE CONDITIONS BUT IS REQUIRED.**

# MULTIPLEXED DEVICES INDEX

DEVICE ID	ERROR MESSAGE IN CLUSTER	MINIMUM SET OF CONDITIONS TO ACTIVATE <sup>1</sup>	OTHER INPUTS INVOLVED IN LOGIC	MODULE ID	MODULE PIN #	WIRING PAGE
SO2:5	Starter relay Ret SO2	Trans neutral sens (A1:CV.6), Fr start enable (Sw58) and Fr start (Sw83.C) active	Rr start enable (Sw58), Sw59	A53	J1:1	3.2
So20	Knee Ctrl Sol SO20	Conditions for kneeling down solenoid (So16)	SE27, Batsaver	A41	J1:11	32
So3, So4	Ent Unlk Sol SO3 SO4	Door Open switch (Sw33 or Sw34) Active	SE16, Se17, Sw32, Sw34	A47	J1:8	29
So5	Ent Open Sol SO5	Door unlocked (Se16) and Door open switch (Sw33) active	Sw83.C, SE15, Sw34, SW32, J1939 (Vehicle Speed)	A47	J1:7	29
So6	Ent Close Sol SO6	Door close switch (Sw32 or Sw34) active	N/A	A47	J1:6	29
So7	Driver Rfg Sol SO7	Defroster Fan speed selector above 0 and the activation conditions for the A/C compressor clutch (SO9) met.	N/A	A46	J1:5	18.1
So8	Driver heat Sol SO8	(Note: The output need to be inactive to heat since the valve is a NO). To get the output inactive, the conditions are: A heating demand at the driver (Driver Temp. Set point higher than Driver sensor reading Se21).	N/A	A46	J1:6	18.1
So9	A/C Clutch SO9	HVAC Passenger ON and demand for cooling (Passenger temp set point 2 degree below the actual temperature Se25) and two alternator charging (Res13 and Res14 active)	Outside temperature (Se20) > 0 Deg C, A/C pres HiSd (Se23), A/C pres LoSd (Se24),	A52	J1:20	18.2
Sw1:C258:2	Lower wip spd2 SW1.2	wiper control to position 2	N/A	A42	J1:18	34
Sw1:C258:3	Lower wip spd1 SW1.3	wiper control to position 1	N/A	A47	J1:9	34
Sw1:C258:5	Hd light blinker SW1	Flasher lever tip switch pressed	N/A	A43	J1:20	26.1
Sw1:C258:6	Lower washer SW1.6	Washer ring pushed toward steering	N/A	A46	J1:9	34
Sw1:C258:7	Lower wip int SW1.7	wiper control to position J	N/A	A42	J1:8	34
Sw1:C258:8	High-Low Beam SW1	Flasher lever fully pulled backward	N/A	A43	J1:8	26.1
Sw1:C259:1	Flasher LH Sw1	Left flasher	N/A	A45	J1:9	26.1
Sw1:C259:1	Flasher LH Sw1	Left flasher	N/A	A51	J1:12	26.2
Sw1:C259:2	Flash RH SW1	Right Flasher	N/A	A48	J1:12	26.1
Sw1:C259:2	Flasher RH Sw1	Right Flasher	N/A	A51	J1:9	26.2
Sw1:C259:4	Hd Light Call SW1	Flasher lever partly pulled rearward	N/A	A43	J1:3	26.1
Sw10	Knee Down Sw10	Kneeling down switch	N/A	A41	J1:7	32
Sw10	Knee Up SW10	kneeling up switch	N/A	A41	J1:6	32
Sw13	Test switch Sw13	Dash Switch marked "Test"	N/A	A36	JB:11	9
Sw15	Eng Brk Dash SW15	Dash engine brake switch (Pos 1 or 2)	N/A	A50	J1:10	12

**NOTE 1: THE VEHICLE IGNITION IS NOT MENTIONED IN THE CONDITIONS BUT IS REQUIRED.**

# MULTIPLEXED DEVICES INDEX

DEVICE ID	ERROR MESSAGE IN CLUSTER	MINIMUM SET OF CONDITIONS TO ACTIVATE <sup>1</sup>	OTHER INPUTS INVOLVED IN LOGIC	MODULE ID	MODULE PIN #	WIRING PAGE
Sw18	Lugg lock SW18	Luggage lock/Unlock switch to Lock	N/A	A46	J1:10	33
Sw18	Lugg Unlock SW18	Luggage lock/Unlock switch to unlock	N/A	A46	J1:11	33
Sw2:3	Head Lights SW2.3	Head light Switch 1st position	N/A	A43	J1:4	26.1
Sw2:6	Head Lights SW2.6	Head Light switch 2nd position	N/A	A45	J1:12	26.1
Sw2:6	Head Lights SW2.6	Head Light switch 2nd position	N/A	A48	J1:10	26.1
SW21	Upper defrost Sw21	Dash upper defroster switch	N/A	A41	J1:17	18.1
Sw22	Eng fan dash SW22	Dash Engine Radiator Fan override switch	N/A	A36	JB:14	13
Sw23	Eng Ether SW23	Dash Ether Switch	N/A	A42	J1:5	13
Sw24	Driver light SW24	Driver Light Switch ON	N/A	A43	J1:18	19
Sw25	Direct Lts Sw25	Direct/Indirect Switch ON at position 2	N/A	A41	J1:4	23
Sw25	Indirect lts Sw25	Direct/Indirect Switch ON at position 1 or 2	N/A	A41	J1:3	23
Sw26	Read Lts SW26	Reading Lamp Switch ON	N/A	A41	J1:10	22
Sw27	P Rack Fan Sw SW27	Switch Parcel Rack ON	N/A	A41	J1:20	18.2
Sw3	Fog's lights SW3	Dash Fog Light Switch	N/A	A43	J1:10	26.3
Sw32	Ent Door Close SW32	Door Close button (Inside)	N/A	A36	JB:10	29
Sw33, Sw34	Ent open Sw33 SW34	Door Open switch (inside or outside)	N/A	A36	JB:15	29
Sw33, Sw34	Ent open Sw33 SW34	Door Open switch (inside or outside)	N/A	A47	J1:12	29
Sw34	Ent close out SW34	Door close switch (Outside)	N/A	A36	JB:17	29
Sw35	Cruise Ctrl Sw35	Cruise control enable switch (Sw35)	N/A	A41	J1:5	14
Sw4	Hazard Switch Sw4	Hazard Switch	N/A	A36	JB:4	26.1
Sw40				A53	J1:12	36
Sw43	Low Buoy SW43	Low buoy switch	N/A	A36	JB:1	32
Sw45, Sw52	LuggDoor Sw45, 52	One of the luggage door opened	N/A	A54	J1:9	25
Sw5:3	Upper wip int SW5.3	Upper wiper switch at position 1	N/A	A42	J1:20	34
Sw5:6	Upper wip SW5.6	Upper wiper switch at position 2	N/A	A42	J1:21	34
Sw54	Lav Door SW54	Lavatory door closed and locked	N/A	A49	J1:5	11
Sw55	Lav Emgy SW55	Lavatory emergency switch	N/A	A49	J1:6	11
Sw56	Lavatory Flush Sw56	Lavatory flush switch (Sw56) active	N/A	A49	J1:2	11
Sw58:1	Rr start enable SW58.1	Rear start switch to Rear start position	N/A	A53	J1:10	3.2
Sw58:3	Fr Start Enable SW58.3	Rear Start Switch to normal position	N/A	A53	J1:9	3.2

**NOTE 1: THE VEHICLE IGNITION IS NOT MENTIONED IN THE CONDITIONS BUT IS REQUIRED.**

## MULTIPLEXED DEVICES INDEX

DEVICE ID	ERROR MESSAGE IN CLUSTER	MINIMUM SET OF CONDITIONS TO ACTIVATE <sup>1</sup>	OTHER INPUTS INVOLVED IN LOGIC	MODULE ID	MODULE PIN #	WIRING PAGE
Sw59	Rr start SW59	Rear start switch to Rear start position and rear start push button pressed	N/A	A53	J1:11	3.2
Sw6	Up washer SW6	Upper washer Switch	N/A	A42	J1:19	34
Sw61,Sw62	Elec. Horn SW61 SW62	Electrical Horn Switch pressed	N/A	A45	J1:10	9
Sw64	Tag axle Sw64	Air released in Tag axle air bags	N/A	A43	J1:19	32
Sw7	Condensor Door Sw7	Condensor door Open	N/A	A54	J1:11	25
Sw82	Rear Cutout Sw82	Rear cutout switch close	N/A	A36	JB:21	3.2
SW83:A	Accessory Key SW83.A	Ignition Key to Accessory position	N/A	A36	JB:2	3.2
SW83:C	Ignition Key SW83.C	Ignition Key to Ignition position	N/A	A36	JB:6	3.2
Sw83:D	Fr start SW83.D	Ignition key to start position	N/A	A36	JB:22	3.2

NOTE 1: THE VEHICLE IGNITION IS NOT MENTIONED IN THE CONDITIONS BUT IS REQUIRED.



## MULTIPLEX DEVICES LIST

Device ID	Description	Name	Module ID	Module Pin#	Page
A1	Neutral Signal Sensor	I_NeutralSe	A50	J1:11	
A1	Retarder Signal	I_RetdrSig	A50	J1:12	
A1	Transmission Inhibit	O_TransInhibit	A50	J1:2	15.1
A10	Pre-Heat Led To Mux	I_PHeatSigLed	A49	J1:7	
A8	Check Engine Signal	I_ChkEngSe	A42	J1:10	
A8	Stop Engine Sensor	I_StopEngSe	A42	J1:9	
A8	ZF Break Lights enable	I_ZfBrkLtEn	A49	J1:19	
A8	Engine Brake ACTIVE Sensor	I_EngBrOnSe	A51	J1:11	
A8	Left Hand Flasher Indicator	O_PrkBrkToEcm	A51	J1:1	15.1
ABSModule	Signal Abs Warning from ABS Module	I_AbsSignalWrn	A41	J1:9	
Alt1_Bosch		I_Alt1Voltage	A49	J1:8	
Alt2_Bosch		I_Alt2Voltage	A49	J1:9	
Ecm_J2:A2	Engine Fan Signal Speed 1	I_EngFanSpd1	A52	J1:9	
Ecm_J3:W3	Engine Fan Signal Speed 2	I_EngFanSpd2	A52	J1:10	
Ecu_Trans_CS:11	Engine Brake Transmission Position 1	O_EngBrTran1	A50	J1:21	
Ecu_Trans_CS:31	Check Transmission Signal	I_ChkTrans	A49	J1:10	
Ecu_trans_CV:4	Reverse Signal from Transmission	I_ReverseSig	A50	J1:9	
L142	Lavatory Fluorescent Light Bulb	O_LavFluoLb	A50	J1:20	
L143	Lavatory Occupied Light Bulb	O_LavOccLb	A41	J1:13	11.1
L16	Driver Light Bulb	O_DriverLtLb	A44	J1:3	19.1
L173_L174	Engine Compartment Light Switch	O_EngCmptLbZF	A52	J1:5	25.1
L18	Entrance Door Light Bulb	O_EntDorLtLb	A44	J1:5	29.1
L185-L186	Electric Horn	O_HornSol	A45	J1:20	9.1
L188	Kneeling Alarm	O_KneelingAlm	A42	J1:14	
L18-L19-L20	Entrance Door Step Light Bulb	O_EntDorStpLb	A47	J1:5	29.1
L198	Driver Defroster Fan Motor	O_DrvDefFanMo	A47	J1:1	18.1
L199	Hvac Right Hand Cylinder Unloader	O_AcUnldRH	A52	J1:21	18.2
L1-L202	Watch Your Step Light Bulb	O_WatchstepLb	A43	J1:13	29.1
L2	No Smoking Light Bulb	O_SmokLb	A42	J1:11	11.1
L200	Hvac Left Hand Cylinder Unloader	O_AcUnldLH	A52	J1:8	
L203	Driver Recycle Trap	O_DrvRecTrap	A47	J1:2	18.1
L205	A/C Pass. Gaz Cylinder Recycle	O_ACRecPass	A54	J1:20	18.2
L207	Wheel Chair Lift Enabled	O_WCLOn	A53	J1:5	36.1
L21-L22-L23-L24-L25-L26-L27	Front Clearance Lights Bulb	O_FrClearLb	A44	J1:8	26.1
L28_to_L58	Aisle and Emergency Lamps	O_AisleLb	A49	J1:13	20.1
L59	Right Hand Hi Beam Light Bulb	O_RHHiBeamLb	A48	J1:3	26.1
L59	Right Hand Low Beam Light Bulb	O_RHLwBeamLb	A48	J1:4	26.1
L60	Left Hand Hi Beam Light Bulb	O_LHHiBmLb	A45	J1:6	26.1
L60	Left Hand Low Beam Light Bulb	O_LHLwBmLb	A45	J1:7	26.1
L61	Right Hand Front Flasher Light Bulb	O_RHFrFshLb	A48	J1:6	26.1

## MULTIPLEX DEVICES LIST

Device ID	Description	Name	Module ID	Module Pin#	Page
L61	Right Hand Front Markers Light Bulb	O_RHFrMrkLb	A48	J1:7	26.1
L62-L65	Left Hand Front Markers Light Bulb	O_LHFMrkLb	A45	J1:21	26.1
L62-L66	Left Hand Front Flasher Light Bulb	O_LHFFrFishLb	A45	J1:3	26.1
L64	RH Front Side Flasher L-Bulb	O_RHFrSidFishLb	A48	J1:20	26.1
L67_L69	Tag Axle Warning Indicator	O_CtrSdMrkLb	A50	J1:8	26.2
L70	Water Filter Indicator Warning	O_LHCTrFishLb	A50	J1:5	26.2
L71_L75	Left Hand Rear Flasher Light Bulb	O_LHReFishLb	A51	J1:21	
L73_L76	Right Hand Rear Flasher Light Bulb	O_RHReFishLb	A51	J1:3	
L77_L78_L79_L80	Rear Tail Markers Light Bulb	O_ReTailMkLb	A51	J1:8	26.2
L77_L79		O_BrLtLowerLb	A50	J1:6	12.1
L78_L80		O_BrLtUpperLb	A51	J1:6	26.2
L81	Cyclope Brake Light	O_CyclopeLt	A51	J1:7	26.2
L84_L85_L86_L87_L88_L89_L90	Rear Clearance Light Bulb	O_ReClearLb	A50	J1:4	26.2
L91_L92_L187	Reverse Alarm and Light Bulb	O_RevLbBuz	A50	J1:3	26.3
L93_L94	Left Hand Docking Light Bulb	O_LHDockLb	A51	J1:4	26.3
L94	Right Hand Docking Light Bulb	O_RHDockLb	A51	J1:5	26.3
L95	Left Hand Fog Light Bulb	O_LHFogLb	A45	J1:4	26.3
L95	Right Hand Fog Light	O_RHFogLb	A48	J1:8	26.3
L97	Left Hand Cornering Light Bulb	O_LHCornerLb	A45	J1:5	26.3
L98	Right Hand Cornering Light Bulb	O_RHCornerLb	A48	J1:5	26.3
Mo10	Left Hand Parcel Rack Fan	O_LHPRckFan	A54	J1:1	18.2
Mo11	Right Hand Parcel Rack Fan	O_RHPRckFan	A54	J1:2	18.2
Mo12	Hvac Water Pump	O_ACWaterPmp	A54	J1:4	18.2
Mo13	Right Hand Flasher Indicator	O_FlushPmpMo	A52	J1:7	11.1
Mo14	Lavatory Fan Motor	O_LavFanMo	A52	J1:4	11.1
Mo18	Upper Wiper Washer Pump	O_UpWshPmp	A46	J1:4	34.1
Mo19-Mo20	Lower Wiper Washer Pump	O_LwWshPmp	A46	J1:3	34.1
Mo2	Engine Fan Radiator Speed 1	O_EngFanSpd1	A52	J1:1	13.1
Mo2	Engine Fan Radiator Speed 2	O_EngFanSpd2	A52	J1:2	13.1
Mo21	Upper Wiper Motor	O_UpWiperMot	A46	J1:2	34.1
Mo22	Lower Wiper Speed 1	O_LwWipSpd1	A47	J1:3	34.1
Mo22	Lower Wiper Speed 2	O_LwWipSpd2	A47	J1:4	
Mo3	Dash Trap Motor Return	O_DashTrapNMo	A44	J1:2	
Mo3	Dash Trap Motor	O_DashTrapPMo	A44	J1:1	18.1
Mo4A	Foot Trap Solenoid	O_FootTrpPSol	A45	J1:1	18.1
Mo4B	Foot Trap Solenoid	O_FootTrpNSol	A45	J1:2	
Mo5	Upper defroster Fan Motor	O_UpDefFanMo	A46	J1:7	18.1
Mo6	Upper Defrost Water Pump	O_UpDefWtrPump	A47	J1:20	18.1
R12	Evaporator Fan Speed 1 Relay	O_EvaSpd1Rel	A54	J1:7	18.2
R13	Interior Lights Indirect Relay	O_IndirLtsRel	A49	J1:12	23.1

# MULTIPLEX DEVICES LIST

Device ID	Description	Name	Module ID	Module Pin#	Page
R14	Passenger Reading Light Relay	O_ReadLtsRel	A49	J1:15	
R14	Wheel Chair Lift Warning Indicator	O_RHCtrFlshLb	A50	J1:7	26.2
R16	Flasher Audible Relay	O_FlshAudiRel	A45	J1:8	26.1
R17_R18_R19	WakeUp Relay	O_WakeUp	A36	JA:15	3.3
R21	Emergency CutOut Relay	O_CutOutRel	A36	JA:24	3.2
R6	Interior Light Direct relay	O_DirLtsRel	A49	J1:11	24.1
R8	Service Brake Power Relay	I_SerBrkRlyPwr	A49	J1:21	
R9	Condensor Fan Speed 1 Relay	O_CndSpd1Rel	A54	J1:5	18.2
Se11	Low fuel Sensor	I_LoFulSe	A54	J1:10	
Se12	Water Filter Sensor	I_WtrFiltSe	A49	J1:20	
Se16	Entrance Door UnLock Sensor	I_EntDorULkSe	A47	J1:11	
Se18	Paking Brake Sensor	I_ParkBrSe	A36	JB:9	
Se19	Brake Lights Sensor	I_BrkLtSeFrSig	A36	JB:13	
Se1-Se2-Se3	Fire Sensor On A36	I_FireSensorA36	A36	JB:5	9.1
Se21	Driver Temperature sensor	I_DrvTempSe	A46	J1:13	
Se23	Ac Pressure High Side Sensor	I_AcPresHiSse	A52	J1:13	
Se24	Ac Pressure Low Side Sensor	I_AcPresLoSse	A52	J1:14	
Se25	Passenger temperature sensor	I_PassTempSe	A54	J1:13	
Se26	Kneeling Pressure Sensor	I_KneePressSe	A41	J1:18	
Se27	Kneeling Proximity Sensor	I_KneeProxSe	A41	J1:19	32.1
Se28	Luggage Door Unlock Sensor	I_LugDorULkSe	A46	J1:12	33.1
Se30_Se31	Engine Door Sensor	I_EngDoorSe	A52	J1:12	25.1
Se4-Se5-Se6-Se7-Se8-Se9	Passenger Window Open Sensor	I_WdoOpenSe	A42	J1:3	27.1
So1	Engine Ether Solenoid	O_EngEthrSol	A52	J1:6	13.1
So11	Passenger Refrigerent Solenoid	O_PasRfgSol	A54	J1:3	18.2
So13	Passenger Heat Solenoid Valve	O_PasHeatSol	A54	J1:8	18.2
So14	Rear Hi Buoy Solenoid Return	O_ReHiBoySolRtn	A41	J1:16	
So15	Kneeling Up Solenoid	O_KneeUpSol	A41	J1:15	32.1
So16	Kneeling Down Solenoid	O_KneeDwSol	A41	J1:14	32.1
So17	Park Brake Solenoid Valve	O_ParkBrSol	A42	J1:30	32.1
So17	Park Brake Solenoid Return	O_ParkBrSolNeg	A42	J1:12	
So18	Luggage Lock Solenoid	O_LugULkSol	A42	J1:16	33.1
So19	Luggage Lock Solenoid	O_LugLkSol	A42	J1:13	33.1
So2	Starter Sensor	I_StarterSe	A36	JB:16	
So20	Kneeling Control Solenoid	O_KneeCtlSol	A41	J1:11	32.1
So3-So4	Entrance Door UnLock Solenoid Valve	O_EntDorULkSo	A47	J1:8	
So5	Entrance Door Open Solenoid Valve	O_EntDorOpSol	A47	J1:7	
So6	Entrance Door Close Solenoid Valve	O_EntDorClsol	A47	J1:6	
So7	Driver refrigerent solenoid	O_DrvRfgSol	A46	J1:5	18.1
So8	Driver Heat Solenoid	O_DrvHeatSol	A46	J1:6	18.1

## MULTIPLEX DEVICES LIST

Device ID	Description	Name	Module ID	Module Pin#	Page
So9	Hvac AC Clutch Solenoid	O_AcCluSol	A52	J1:20	
Sw1	Lower Wiper Intermitant Switch	I_LwWipIntSw	A42	J1:8	
Sw1	Lower Wiper Intermitant Switch	I_LwWipIntSwRetr	A42	J1:4	
Sw1	Lower Wiper Speed 2 Switch	I_LwWipSpd2Sw	A42	J1:18	
Sw1	Upper Wiper Switch	I_UpWipSw	A42	J1:21	
Sw1	Courtesy Blink Switch	I_BlinkSw	A43	J1:20	
Sw1	Courtesy Blink Switch	I_BlinkSwRetro	A43	J1:5	
Sw1	Head Lights High and Low Beam Switch	I_HdLtHiLowBmSw	A43	J1:8	
Sw1	Lower Wiper Washer Switch	I_LwWshSwRetro	A44	J1:9	
Sw1	Left Hand Flasher Switch	I_LHFishSw	A45	J1:9	26.1
Sw1	Lower Wiper Washer Switch	I_LwWshSw	A46	J1:9	
Sw1	Lower Wiper Speed 1 Switch	I_LwWipSPd1Sw	A47	J1:9	
Sw1	Right Hand Flasher Switch	I_RHFishSw	A48	J1:12	
Sw10	Kneeling Down Switch	I_KneeDwSw	A41	J1:7	
Sw10	Kneeling Up Switch	I_KneeUpSw	A41	J1:6	
Sw15	Engine Brake Low Switch	I_EngBrLoSw	A50	J1:10	
Sw18	Luggage Door Lock Switch	I_LugDorLkSw	A46	J1:10	
Sw18	Luggage Door Unlock Switch	I_LugDorULkSw	A46	J1:11	
Sw19_Sw52	Wheel Chair Lift Lower Door Sensor	I_WCLLoDorSe	A53	J1:12	36.1
Sw2	Head Light Switch Position Markers	I_HdLtPos1Sw	A43	J1:4	
Sw2	Hi/Low Beam Switch	I_HiBeamCallSw	A43	J1:3	
Sw2	Head Light Switch Beam Position 2 LH	I_HdLtPos2SwLH	A45	J1:12	
Sw2	Head Light Switch Beam Position 2 RH	I_HdLtPos2SwRH	A48	J1:10	26.1
Sw20	Wheel Chair Lift Dash Switch	I_WclSw	A42	J1:6	
Sw21	Upper Defrost Dash Switch	I_UpperDefFanSw	A41	J1:17	
Sw22	Radiator Fan Switch	I_EngFanSw	A36	JB:14	13.1
Sw23	Ether Switch	I_EtherSw	A42	J1:5	
Sw24	Driver Light Switch	I_DrvLtSw	A43	J1:18	19.1
Sw25	Passenger Direct Light Switch	I_DirLtsSw	A41	J1:4	
Sw25	Passenger Indirect lightning Switch	I_InDirLtsSw	A41	J1:3	
Sw26	Passenger Reading lights Switch	I_ReadLtsSw	A41	J1:10	
Sw3	Fog Lights Switch	I_FogLightSw	A43	J1:10	26.3
Sw30	Cornering Light Switch	I_CorneringLtSw	A43	J1:21	
Sw31	Docking Lights Switch	I_DockingLtSw	A43	J1:7	
Sw31	WCL Sliding door open detection	I_WCLPlungSw	A49	J1:4	
Sw33-Sw34	Entrance Door Open Switch	I_EntDorOpSw	A36	JB:15	
Sw35	Cruise Control Enable Switch	I_CruiseEnSw	A41	J1:5	14.1
Sw4	Hazard Switch	I_HazardSw	A36	JB:4	
Sw43	Low Buoy Signal From Pressure Switch	I_LwBuoySw	A36	JB:1	
Sw5	Upper Wiper Intermitant Switch	I_UpWipIntSw	A42	J1:20	

## MULTIPLEX DEVICES LIST

Device ID	Description	Name	Module ID	Module Pin#	Page
Sw54	Lavatory Door Lock Sensor	I_LavDorLkSe	A49	J1:5	11.1
Sw55	Lavatory Emergency Switch	I_LavEmrgSw	A49	J1:6	11.1
Sw56	Lavatory Flushing Switch	I_LavFlshSw	A49	J1:2	
Sw6	Upper Washer Wiper Switch	I_UpWshSw	A42	J1:19	34.1
Sw64	Tag Axle Switch	I_TgAxlSw	A43	J1:19	32.1
Sw82	Rear Junction Box CutOut Switch	I_RrCutOutSw	A36	JB:21	
Sw83	Accessories Key switch	I_AccKeySw	A36	JB:6	
Sw83	Front Engine Start Switch	I_FrEngStaSw	A36	JB:22	
Sw83	Ignition Key switch	I_IgnKeySw	A36	JB:2	
Sw94	WCL Sliding door firts latch detection door open	I_WCLDoorLtch	A49	J1:1	
	Entrance Door Close Inside Switch	I_EntDorClInSw	A36	JB:10	
	Entrance Door Close Outside Switch	I_EntDorClOutSw	A36	JB:17	
		I_FireExt1stAl	A36	JB:23	
		I_InputTest	A36	JB:11	
	Control Head	O_CtrlHead	A36	JA:11	28.1
	Engine Run Signal	O_EngineRun	A36	JA:13	3.2
	Neutral Front Signal	O_NeutFront	A36	JA:14	
		I_BatMonMod41	A41	J1:24	6.1
		I_PRRackFanSw	A41	J1:20	
	Kneeling Proximity Power	O_KneeProxPwr	A41	J1:12	32.1
	Rear Hi Buoy Solenoid	O_ReHiBoySol	A41	J1:30	32.1
		I_BatMonMod42	A42	J1:24	6.1
	Park Brake Release Switch	I_PrkBrkRelSw	A42	J1:7	
		I_WipWshLowLvl	A42	J1:17	34.1
		I_BatMonMod43	A43	J1:24	6.1
	Front Junction Box Door Open	I_FJBLtSw	A43	J1:17	
	Tag Automatic Unload PitMan Sw	I_TagPitManSW	A43	J1:6	
		I_BatMonMod44	A44	J1:24	6.1
	Fast Idle Switch	I_FastIdleSw	A44	J1:11	
		I_FireExt2ndAlm	A44	J1:10	
	Backup Monitor Signal	O_BackUpMon	A44	J1:7	
	Dash BackLighting	O_DashBackLit	A44	J1:20	
		I_BatMonMod45	A45	J1:24	6.1
	Horn Switch	I_HornSw	A45	J1:10	
		I_BatMonMod46	A46	J1:24	6.1
	Under Floor Light Bulb	O_UdrFlrLb	A46	J1:20	25.1
		I_BatMonMod47	A47	J1:24	6.1
	Entrance Door Close Sensor	I_EntDorClSe	A47	J1:10	
		I_EntDorOpSw2	A47	J1:12	
		I_BatMonMod48	A48	J1:24	6.1

## MULTIPLEX DEVICES LIST

Device ID	Description	Name	Module ID	Module Pin#	Page
	Entrance Door Open Sensor	I_EntDorOpSe	A48	J1:11	
		I_BatMonMod49	A49	J1:24	
	Rear Junction Light Switch	I_RJBLtSw	A49	J1:17	
	WCL Cassette installation detection	I_WCLInstalSig	A49	J1:18	
	Fast Idle	O_FastIdle	A49	J1:16	
		I_BatMonMod50	A50	J1:24	
	Rear Junction Box Temperature	I_RJBTemp	A50	J1:13	
		I_ZFNeutralSig	A50	J1:14	
	WCL Sliding Door Top Light	O_WCLSDoorLb	A50	J1:1	36.1
		I_BatMonMod51	A51	J1:24	
	Brake Lights Sensor	I_BrkLtSeRrSig	A51	J1:10	
	LH FlasherSwitch Rear Signal	I_LHFishSwRrSig	A51	J1:9	
	RH FlasherSwitch Rear Signal	I_RHFishSwRrSig	A51	J1:12	
	Cruise Control Enable to Ecm	O_CruiseEn	A51	J1:2	11.1
		I_BatMonMod52	A52	J1:24	6.1
	Engine Compartment Light Switch	I_EngCmptLtSw	A52	J1:11	
		I_BatMonMod53	A53	J1:24	6.1
	Engine Start Rear Switch	I_EngStaRrSw	A53	J1:11	
	Front Start Enable Switch	I_FrStrtEnSw	A53	J1:9	
	Rear Start Enable Switch	I_RrStrtEnSw	A53	J1:10	
	Condensor Fan Speed 2 Relay	O_CndSpd2Rel	A53	J1:8	18.2
	Evaporator Fan Speed 2	O_EvaSpd2Rel	A53	J1:21	18.2
	Parcel Rack Refrigerent Solenoid	O_PRakRfgSol	A53	J1:20	
	Starter Relay	O_StarterRel	A53	J1:6	3.2
	Starter Relay Return	O_StarterRlyRtn	A53	J1:1	
	Tag Automatic Unload Solenoid	O_TagAutUnLdSo	A53	J1:3	32.1
	WCL Upper Door Open Signal For TWU	O_WCLUpDoorSig	A53	J1:7	36.1
		O_ZFTransInh	A53	J1:2	
	Condensor Door Open Switch	I_AcDorOpSe	A54	J1:11	25.1
		I_BatMonMod54	A54	J1:24	6.1
	Luggage Door Switch	I_LuggDoorSw	A54	J1:9	25.1
	Outside Temperature Sensor	I_OutDoorTempSe	A54	J1:14	
	Output HVAC Passenger ON/OFF	O_PassOnOff	A54	J1:21	18.2

# MULTIPLEX OUTPUT LIST

O\_xx... = Physical Output Pin ; I\_xx... = Physical Input Pin ; D\_xx... = CAN Network Signal from the HVAC control Head ; B\_xx.. = Multiplex system global Network Variable

Module.Pin#	Signal name	Description	Page	Connected devices	Input involved		
A36.JA:11	O_CtrlHead	Control Head	28.1		I_HdLtPos1Sw	A43.J1:4	26.1
A36.JA:13	O_EngineRun	Engine Run Signal	3.2	A15:6	B_EngineRun	.	
					B_OneAltCharging	.	
					D_OnOffDrvSw	.	
					I_AccKeySw	A36.JB:6	
					I_IgnKeySw	A36.JB:2	
A36.JA:15	O_WakeUp	WakeUp Relay	3.3		I_AccKeySw	A36.JB:6	
					I_EntDorOpSw	A36.JB:15	
					I_FireSensorA36	A36.JB:5	9.1
					I_HazardSw	A36.JB:4	26.1
					I_IgnKeySw	A36.JB:2	
					I_ParkBrSe	A36.JB:9	
					I_RrCutOutSw	A36.JB:21	3.2
					I_WCLLoDorSe	A53.J1:12	36.1
					I_WclSw	A42.J1:6	36.1
A36.JA:24	O_CutOutRel	Emergency CutOut Relay	3.2	R21:-	I_FireExt2ndAlm	A44.J1:10	38.1
					I_IgnKeySw	A36.JB:2	
A41.J1:12	O_KneeProxPwr	Kneeling Proximity Power	32.1	So16:1	I_IgnKeySw	A36.JB:2	
A41.J1:14	O_KneeDwSol	Kneeling Down Solenoid	32.1	So16:2	I_EntDorClSe	A47.J1:10	29.1
					I_IgnKeySw	A36.JB:2	
					I_KneeDwSw	A41.J1:7	32.1
					I_KneePressSe	A41.J1:18	32.1
					I_LwBuoySw	A36.JB:1	32.1
					I_ParkBrSe	A36.JB:9	
					I_WCLLoDorSe	A53.J1:12	36.1
					I_WclSw	A42.J1:6	36.1
A41.J1:15	O_KneeUpSol	Kneeling Up Solenoid	32.1	So15:2	I_IgnKeySw	A36.JB:2	
					I_KneeUpSw	A41.J1:6	32.1
A41.J1:16	O_ReHiBoySolRtn	Rear Hi Buoy Solenoid Return	32.1	So14:1	I_IgnKeySw	A36.JB:2	
A42.J1:11	O_SmokLb	No Smoking Light Bulb	11.1	L2:1	I_IgnKeySw	A36.JB:2	
A42.J1:12	O_ParkBrSolNeg	Park Brake Solenoid Return	32.1		I_EntDorClSe	A47.J1:10	29.1
					I_IgnKeySw	A36.JB:2	
					I_KneeDwSw	A41.J1:7	32.1
					I_KneePressSe	A41.J1:18	32.1
					I_KneeProxSe	A41.J1:19	32.1
					I_LwBuoySw	A36.JB:1	32.1
					I_ParkBrSe	A36.JB:9	
					I_PrkBrkRelSw	A42.J1:7	32.1
					I_WCLLoDorSe	A53.J1:12	36.1
					I_WclSw	A42.J1:6	36.1
A42.J1:13	O_LugLkSol	Luggage Lock Solenoid	33.1	So19:2	I_AccKeySw	A36.JB:6	
					I_IgnKeySw	A36.JB:2	
					I_LuaDorLkSw	A46.J1:10	33.1

# MULTIPLEX OUTPUT LIST

O\_xx... = Physical Output Pin ; I\_xx... = Physical Input Pin ; D\_xx... = CAN Network Signal from the HVAC control Head ; B\_xx.. = Multiplex system global Network Variable

Module.Pin#	Signal name	Description	Page	Connected devices	Input involved		
A42.J1:14	O_KneelingAlm	Kneeling Alarm	32.1	L188:1	I_EntDorClSe	A47.J1:10	29.1
					I_IgnKeySw	A36.JB:2	
					I_KneeDwSw	A41.J1:7	32.1
					I_KneePressSe	A41.J1:18	32.1
					I_KneeUpSw	A41.J1:6	32.1
					I_LwBuoySw	A36.JB:1	32.1
					I_ParkBrSe	A36.JB:9	
					I_WCLLoDorSe	A53.J1:12	36.1
					I_WclSw	A42.J1:6	36.1
A42.J1:16	O_LugULkSol	Luggage Lock Solenoid	33.1	So18:2	I_AccKeySw	A36.JB:6	
					I_IgnKeySw	A36.JB:2	
					I_LugDorULkSw	A46.J1:11	33.1
A42.J1:30	O_ParkBrSol	Park Brake Solenoid Valve	32.1	So17:2	I_EntDorClSe	A47.J1:10	29.1
					I_IgnKeySw	A36.JB:2	
					I_KneeDwSw	A41.J1:7	32.1
					I_KneePressSe	A41.J1:18	32.1
					I_KneeProxSe	A41.J1:19	32.1
					I_LwBuoySw	A36.JB:1	32.1
					I_ParkBrSe	A36.JB:9	
					I_PrkBrkRelSw	A42.J1:7	32.1
					I_WCLLoDorSe	A53.J1:12	36.1
					I_WclSw	A42.J1:6	36.1
A43.J1:13	O_WatchstepLb	Watch Your Step Light Bulb	9.1		B_BatterySaver		
					I_EntDorULkSe	A47.J1:11	29.1
A44.J1:1	O_DashTrapPMo	Dash Trap Motor	18.1	Mo3:1	D_AirFlapBit0	.	
					D_AirFlapBit1	.	
					D_AirFlapBit2	.	
					I_IgnKeySw	A36.JB:2	
A44.J1:2	O_DashTrapNMo	Dash Trap Motor Return	18.1	Mo3:3	D_AirFlapBit0	.	
					D_AirFlapBit1	.	
					D_AirFlapBit2	.	
					I_IgnKeySw	A36.JB:2	
A44.J1:20	O_DashBackLit	Dash BackLighting	19.1	Pot1.C:1	I_HdLtPos1Sw	A43.J1:4	26.1
A44.J1:3	O_DriverLtLb	Driver Light Bulb	19.1	L16:1	B_BatterySaver		
					I_AccKeySw	A36.JB:6	
					I_DrvLtSw	A43.J1:18	19.1
					I_IgnKeySw	A36.JB:2	
A44.J1:4	O_BrakeRedundant	Brake Redundant For Volvo D13	14.2		I_BrkLtSeFrSig	A36.JB:13	
					I_BrkLtSeRrSig	A51.J1:10	12.1
A44.J1:8	O_FrClearLb	Front Clearance Lights Bulb	26.1		B_BatterySaver		
					B_TstModExtLight		
					I_BlinkSw	A43.J1:20	
					I_BlinkSwRetro	A43.J1:5	26.1



# MULTIPLEX OUTPUT LIST

O\_xx... = Physical Output Pin ; I\_xx... = Physical Input Pin ; D\_xx... = CAN Network Signal from the HVAC control Head ; B\_xx.. = Multiplex system global Network Variable

Module.Pin#	Signal name	Description	Page	Connected devices	Input involved		
A44.J1:8	O_FrClearLb	Front Clearance Lights Bulb	26.1		I_HdLtPos1Sw	A43.J1:4	26.1
					I_HdLtPos2SwLH	A45.J1:12	
A45.J1:1	O_FootTrpPSol	Foot Trap Solenoid	18.1	Mo4:A	D_AirFlapBit0	.	
					D_AirFlapBit1	.	
					D_AirFlapBit2	.	
					I_IgnKeySw	A36.JB:2	
A45.J1:2	O_FootTrpNSol	Foot Trap Solenoid	18.1	Mo4:B	D_AirFlapBit0	.	
					D_AirFlapBit1	.	
					D_AirFlapBit2	.	
					I_IgnKeySw	A36.JB:2	
A45.J1:20	O_HornSol	Electric Horn	9.1		I_FireExt1stAl	A36.JB:23	38.1
					I_FireExt2ndAlm	A44.J1:10	38.1
					I_FireSensorA36	A36.JB:5	9.1
					I_HornSw	A45.J1:10	9.1
					I_IgnKeySw	A36.JB:2	
A45.J1:21	O_LHFrMkrLb	Left Hand Front Markers Light Bulb	26.1		B_BatterySaver	.	
					B_TstModExtLight	.	
					I_BlinkSw	A43.J1:20	
					I_BlinkSwRetro	A43.J1:5	26.1
					I_HdLtPos1Sw	A43.J1:4	26.1
					I_HdLtPos2SwLH	A45.J1:12	
A45.J1:3	O_LHFrFishLb	Left Hand Front Flasher Light Bulb	26.1		B_BatterySaver	.	
					B_TstModExtLight	.	
					I_HazardSw	A36.JB:4	26.1
					I_LHFishSw	A45.J1:9	26.1
					I_LHFishSwRrSig	A51.J1:9	26.2
					I_RHFishSwRrSig	A51.J1:12	26.2
A45.J1:4	O_LHFogLb	Left Hand Fog Light Bulb	26.3	L95:A	B_BatterySaver	.	
					B_TstModExtLight	.	
					I_FogLightSw	A43.J1:10	26.3
A45.J1:5	O_LHCornerLb	Left Hand Cornering Light Bulb	26.3	L97.A:1	B_BatterySaver	.	
					B_TstModExtLight	.	
					I_CorneringLtSw	A43.J1:21	26.3
					I_LHFishSw	A45.J1:9	26.1
A45.J1:6	O_LHHiBmLb	Left Hand Hi Beam Light Bulb	26.1	L60.B:1	B_BatterySaver	.	
					B_EngineRun	.	
					B_OneAltCharging	.	
					B_TstModExtLight	.	
					I_HdLthiLowBmSw	A43.J1:8	26.1
					I_HdLtPos2SwLH	A45.J1:12	
					I_HiBeamCallSw	A43.J1:3	26.1
A45.J1:7	O_LHLwBmLb	Left Hand Low Beam Light Bulb	26.1	L60.A:1	B_BatterySaver	.	
					B_TstModExtLight	.	

# MULTIPLEX OUTPUT LIST

O\_xx... = Physical Output Pin ; L\_xx... = Physical Input Pin ; D\_xx... = CAN Network Signal from the HVAC control Head ; B\_xx.. = Multiplex system global Network Variable

Module.Pin#	Signal name	Description	Page	Connected devices	Input involved
A45.J1:7	O_LHLwBmLb	Left Hand Low Beam Light	26.1	L60.A:1	I_HdLtPos2SwLH A45.J1:12
A45.J1:8	O_FlshAudiRel	Flasher Audible Relay	26.1	R16:86	B_BatterySaver . I_HazardSw A36.JB:4 26.1 I_LHFishSw A45.J1:9 26.1 I_LHFishSwRrSig A51.J1:9 26.2 I_RHFishSw A48.J1:12 26.1 I_RHFishSwRrSig A51.J1:12 26.2
A46.J1:21	O_HeadLmpWsh		34.1		I_HeadLmpWshSw A45.J1:11 34.1
A46.J1:3	O_LwWshPmp	Lower Wiper Washer Pump	34.1		B_BatterySaver . I_LwWshSw A44.J1:9 34.1
A46.J1:5	O_DrvRfgSol	Driver refrigerent solenoid	18.1	D2:A	B_BatterySaver . B_EngineRun . B_OneAltCharging . B_TestMode . B_TstModHvac . I_AcPresHiSse A52.J1:13 18.2 I_AcPresLoSse A52.J1:14 18.2 I_BatMonMod47 A47.J1:24 6.1 I_OutDoorTempSe A54.J1:14 18.1
A46.J1:6	O_DrvHeatSol	Driver Heat Solenoid	18.1	So8:1	B_BatterySaver . B_EngineRun . B_OneAltCharging . B_TestMode . B_TstModHvac . D_AirFlapBit0 . D_AirFlapBit1 . D_AirFlapBit2 . D_DriverSetPts . D_DrvFnSpdBit0 . D_DrvFnSpdBit1 . D_DrvFnSpdBit2 . D_OnOffPassSw . D_PassSetPts . I_BatMonMod46 A46.J1:24 6.1 I_BatMonMod47 A47.J1:24 6.1 I_BatMonMod54 A54.J1:24 6.1 I_DrvTempSe A46.J1:13 18.1 I_FireExt1stAl A36.JB:23 38.1 I_FireExt2ndAlm A44.J1:10 38.1 I_FireSensorA36 A36.JB:5 9.1 I_OutDoorTempSe A54.J1:14 18.1
A46.J1:7	O_UpDefFanMo	Upper defroster Fan Motor	18.1	Res8.B:1, Res11.A:1	B_BatterySaver . B_EngineRun .

# MULTIPLEX OUTPUT LIST

O\_xx... = Physical Output Pin ; I\_xx... = Physical Input Pin ; D\_xx... = CAN Network Signal from the HVAC control Head ; B\_xx.. = Multiplex system global Network Variable

Module.Pin#	Signal name	Description	Page	Connected devices	Input involved		
A46.J1:7	O_UpDefFanMo	Upper defroster Fan Motor	18.1	Res8.B:1, Res11.A:1	B_OneAltCharging	.	
					B_TestMode	.	
					B_TstModHvac	.	
					I_BatMonMod47	A47.J1:24	6.1
					I_OutDoorTempSe	A54.J1:14	18.1
					I_UpperDefFanSw	A41.J1:17	18.1
A47.J1:1	O_DrvDefFanMo	Driver Defroster Fan Motor	18.1	A24.B:B	B_BatterySaver	.	
					B_EngineRun	.	
					B_OneAltCharging	.	
					D_DrvFnSpdBit0	.	
					D_DrvFnSpdBit1	.	
					D_DrvFnSpdBit2	.	
					D_OnOffDrvSw	.	
					I_BatMonMod47	A47.J1:24	6.1
					I_IgnKeySw	A36.JB:2	
A47.J1:2	O_DrvRecTrap	Driver Recycle Trap	18.1	L203:A	B_BatterySaver	.	
					B_EngineRun	.	
					B_OneAltCharging	.	
					B_TestMode	.	
					B_TstModHvac	.	
					D_OnOffPassSw	.	
					D_RecSw	.	
					I_EntDorClSe	A47.J1:10	29.1
					I_EntDorOpSw	A36.JB:15	
					I_EntDorOpSw2	A47.J1:12	29.1
					I_EntDorULkSe	A47.J1:11	29.1
					I_FireExt1stAl	A36.JB:23	38.1
					I_FireExt2ndAlm	A44.J1:10	38.1
					I_FireSensorA36	A36.JB:5	9.1
A47.J1:20	O_UpDefWtrPump	Upper Defrost Water Pump	18.1		B_BatterySaver	.	
					B_EngineRun	.	
					B_OneAltCharging	.	
					B_TestMode	.	
					B_TstModHvac	.	
					I_BatMonMod47	A47.J1:24	6.1
					I_OutDoorTempSe	A54.J1:14	18.1
					I_UpperDefFanSw	A41.J1:17	18.1
A47.J1:3	O_LwWipSpd1	Lower Wiper Speed 1	34.1	R23:86	B_BatterySaver	.	
					I_LwWipIntSw	A42.J1:4	34.1
					I_LwWshSw	A44.J1:9	34.1
A47.J1:5	O_EntDorStpLb	Entrance Door Step Light Bulb	29.1		B_BatterySaver	.	
					I_EntDorULkSe	A47.J1:11	29.1
A47.J1:6	O_EntDorClSol	Entrance Door Close Solenoid	29.1	So6:2	I_EntDorClInSw	A36.JB:10	29.1

# MULTIPLEX OUTPUT LIST

O\_xx... = Physical Output Pin ; L\_xx... = Physical Input Pin ; D\_xx... = CAN Network Signal from the HVAC control Head ; B\_xx.. = Multiplex system global Network Variable

Module.Pin#	Signal name	Description	Page	Connected devices	Input involved		
A47.J1:6	O_EntDorClSol	Entrance Door Close Solenoid Valve	29.1	So6:2	I_EntDorClOutSw	A36.JB:17	29.1
A47.J1:7	O_EntDorOpSol	Entrance Door Open Solenoid Valve	29.1	So5:2	I_EntDorClSe	A47.J1:10	29.1
					I_EntDorOpSe	A48.J1:11	29.1
					I_EntDorOpSw	A36.JB:15	
					I_EntDorOpSw2	A47.J1:12	29.1
					I_EntDorULkSe	A47.J1:11	29.1
A48.J1:20	O_RHFrSidFlshLb	RH Front Side Flasher L-Bulb	26.1	L64:1	B_BatterySaver	.	
					B_TstModExtLight	.	
					I_EntDorClSe	A47.J1:10	29.1
					I_HazardSw	A36.JB:4	26.1
					I_KneeDwSw	A41.J1:7	32.1
					I_KneePressSe	A41.J1:18	32.1
					I_KneeUpSw	A41.J1:6	32.1
					I_LHFfshSwRrSig	A51.J1:9	26.2
					I_LwBuoySw	A36.JB:1	32.1
					I_RHFfshSw	A48.J1:12	26.1
					I_RHFfshSwRrSig	A51.J1:12	26.2
					I_WCLLoDorSe	A53.J1:12	36.1
					I_WclSw	A42.J1:6	36.1
A48.J1:3	O_RHHiBeamLb	Right Hand Hi Beam Light Bulb	26.1	L59.B:1	B_BatterySaver	.	
					B_EngineRun	.	
					B_OneAltCharging	.	
					B_TstModExtLight	.	
					I_HdLtHiLowBmSw	A43.J1:8	26.1
					I_HdLtPos2SwLH	A45.J1:12	
					I_HiBeamCallSw	A43.J1:3	26.1
A48.J1:4	O_RHLwBeamLb	Right Hand Low Beam Light Bulb	26.1	L59.A:1	B_BatterySaver	.	
					B_TstModExtLight	.	
					I_HdLtPos2SwRH	A48.J1:10	26.1
A48.J1:5	O_RHCornerLb	Right Hand Cornering Light Bulb	26.3	L98.A:1	B_BatterySaver	.	
					B_TstModExtLight	.	
					I_RHFfshSw	A48.J1:12	26.1
A48.J1:6	O_RHFrFlshLb	Right Hand Front Flasher Light Bulb	26.1	L61:3	B_BatterySaver	.	
					B_TstModExtLight	.	
					I_HazardSw	A36.JB:4	26.1
					I_LHFfshSwRrSig	A51.J1:9	26.2
					I_RHFfshSw	A48.J1:12	26.1
					I_RHFfshSwRrSig	A51.J1:12	26.2
A48.J1:7	O_RHFrMrkLb	Right Hand Front Markers Light Bulb	26.1		B_BatterySaver	.	
					B_TstModExtLight	.	
					I_BlinkSw	A43.J1:20	
					I_BlinkSwRetro	A43.J1:5	26.1
					I_HdLtPos1Sw	A43.J1:4	26.1

# MULTIPLEX OUTPUT LIST

O\_xx... = Physical Output Pin ; I\_xx... = Physical Input Pin ; D\_xx... = CAN Network Signal from the HVAC control Head ; B\_xx.. = Multiplex system global Network Variable

Module.Pin#	Signal name	Description	Page	Connected devices	Input involved		
A48.J1:7	O_RHFrMrkLb	Right Hand Front Markers Light Bulb	26.1		I_HdLtPos2SwLH	A45.J1:12	
A49.J1:13	O_AisleLb	Aisle and Emergency Lamps	20.1	R15:85	B_BatterySaver	.	
A50.J1:2	O_TransInhibit	Transmission Inhibit	15.1	A1:1	I_HdLtPos1Sw	A43.J1:4	26.1
					I_BrkLtSeFrSig	A36.JB:13	
					I_BrkLtSeRrSig	A51.J1:10	12.1
					I_ParkBrSe	A36.JB:9	
					I_WCLLoDorSe	A53.J1:12	36.1
					I_WclSw	A42.J1:6	36.1
A50.J1:3	O_RevLbBuz	Reverse Alarm and Light Bulb	26.3		B_BatterySaver	.	
					B_EngineRun	.	
					B_OneAltCharging	.	
					B_TestMode	.	
					B_TestSwBuz2	.	
					B_TestSwBuzzer	.	
					B_TstModExtLight	.	
					B_TstModHvac	.	
					B_TstModHvacNext	.	
					B_TstSwBuz3	.	
A50.J1:4	O_ReClearLb	Rear Clearance Light Bulb	26.2		B_BatterySaver	.	
					B_TstModExtLight	.	
					I_BlinkSw	A43.J1:20	
					I_BlinkSwRetro	A43.J1:5	26.1
					I_HdLtPos1Sw	A43.J1:4	26.1
					I_HdLtPos2SwLH	A45.J1:12	
A50.J1:5	O_LHctrFlshLb	Water Filter Indicator Warning	26.2	L70:1	B_BatterySaver	.	
					B_TstModExtLight	.	
					I_HazardSw	A36.JB:4	26.1
					I_LHFlshSwRrSig	A51.J1:9	26.2
					I_RHFlshSwRrSig	A51.J1:12	26.2
A50.J1:6	O_BrLtLowerLb		12.1		B_BatterySaver	.	
					B_EngineRun	.	
					B_OneAltCharging	.	
					B_TstModExtLight	.	
					I_BrkLtSeFrSig	A36.JB:13	
					I_BrkLtSeRrSig	A51.J1:10	12.1
					I_EngBrOnSe	A42.J1:18	
					I_IgnKeySw	A36.JB:2	
					I_RetdrSig	A50.J1:12	12.1
A50.J1:7	O_RHctrFlshLb	Wheel Chair Lift Warning Indicator	26.2	L68:1	B_BatterySaver	.	
					B_TstModExtLight	.	
					I_HazardSw	A36.JB:4	26.1
					I_LHFlshSwRrSig	A51.J1:9	26.2
					I_RHFlshSwRrSig	A51.J1:12	26.2

# MULTIPLEX OUTPUT LIST

O\_xx... = Physical Output Pin ; I\_xx... = Physical Input Pin ; D\_xx... = CAN Network Signal from the HVAC control Head ; B\_xx.. = Multiplex system global Network Variable

Module.Pin#	Signal name	Description	Page	Connected devices	Input involved		
A50.J1:8	O_CtrSdMrkLb	Tag Axle Warning Indicator	26.2		B_BatterySaver	.	
					B_TstModExtLight	.	
					I_BlinkSw	A43.J1:20	
					I_BlinkSwRetro	A43.J1:5	26.1
					I_HdLtPos1Sw	A43.J1:4	26.1
					I_HdLtPos2SwLH	A45.J1:12	
A51.J1:1	O_SerBrkTrans	Servise Brake Signal For	15.1	A1:62	I_BrkLtSeFrSig	A36.JB:13	
A51.J1:2	O_LavRoofLb		11.1	L142:1	I_IgnKeySw	A36.JB:2	
					I_LavDorLkSe	A49.J1:5	11.1
					I_LavEmrgSw	A49.J1:6	11.1
A51.J1:21	O_LHReFlshLb	Left Hand Rear Flasher Light Bulb	26.2		B_BatterySaver	.	
					B_TstModExtLight	.	
					I_HazardSw	A36.JB:4	26.1
					I_LHFfshSwRrSig	A51.J1:9	26.2
					I_RHFfshSwRrSig	A51.J1:12	26.2
A51.J1:3	O_RHReFlshLb	Right Hand Rear Flasher Light Bulb			B_BatterySaver	.	
					B_TstModExtLight	.	
					I_HazardSw	A36.JB:4	26.1
					I_LHFfshSwRrSig	A51.J1:9	26.2
					I_RHFfshSwRrSig	A51.J1:12	26.2
A51.J1:4	O_LHDockLb	Left Hand Docking Light Bulb	26.3	L93.A:1	B_BatterySaver	.	
					B_TstModExtLight	.	
					I_DockingLtSw	A43.J1:7	9.1
A51.J1:5	O_RHDockLb	Right Hand Docking Light Bulb	26.3	L94.A:1	B_BatterySaver	.	
					B_TstModExtLight	.	
					I_DockingLtSw	A43.J1:7	9.1
A51.J1:6	O_BrLtUpperLb		26.2		B_BatterySaver	.	
					B_EngineRun	.	
					B_OneAltCharging	.	
					B_TstModExtLight	.	
					I_BrkLtSeFrSig	A36.JB:13	
					I_BrkLtSeRrSig	A51.J1:10	12.1
					I_EngBrOnSe	A42.J1:18	
					I_RetdrSig	A50.J1:12	12.1
A51.J1:7	O_CyclopeLt	Cyclope Brake Light	26.2	L81.A:1	B_BatterySaver	.	
					B_EngineRun	.	
					B_OneAltCharging	.	
					B_TstModExtLight	.	
					I_BrkLtSeFrSig	A36.JB:13	
					I_BrkLtSeRrSig	A51.J1:10	12.1
A51.J1:8	O_ReTailMkLb	Rear Tail Markers Light Bulb	26.2		B_BatterySaver	.	
					B_TstModExtLight	.	
					I_BlinkSw	A43.J1:20	

# MULTIPLEX OUTPUT LIST

O\_xx... = Physical Output Pin ; I\_xx... = Physical Input Pin ; D\_xx... = CAN Network Signal from the HVAC control Head ; B\_xx.. = Multiplex system global Network Variable

Module.Pin#	Signal name	Description	Page	Connected devices	Input involved		
A51.J1:8	O_ReTailMkLb	Rear Tail Markers Light Bulb	26.2		I_BlinkSwRetro	A43.J1:5	26.1
					I_HdLtPos1Sw	A43.J1:4	26.1
					I_HdLtPos2SwLH	A45.J1:12	
A52.J1:1	O_EngFanSpd1	Engine Fan Radiator Speed 1	13.1		B_BatterySaver	.	
					B_EngineRun	.	
					B_OneAltCharging	.	
					B_TestMode	.	
					B_TstModHvac	.	
					I_EngFanSpd1	A52.J1:9	13.1
					I_EngFanSw	A36.JB:14	13.1
					I_FireExt1stAl	A36.JB:23	38.1
I_FireExt2ndAlm	A44.J1:10	38.1					
A52.J1:2	O_EngFanSpd2	Engine Fan Radiator Speed 2	13.1		B_BatterySaver	.	
					B_EngineRun	.	
					B_OneAltCharging	.	
					B_TestMode	.	
					B_TstModHvac	.	
					I_EngFanSpd1	A52.J1:9	13.1
					I_EngFanSpd2	A52.J1:10	13.1
					I_EngFanSw	A36.JB:14	13.1
I_FireExt1stAl	A36.JB:23	38.1					
A52.J1:20	O_AcCluSol	Hvac AC Clutch Solenoid			B_BatterySaver	.	
					B_EngineRun	.	
					B_OneAltCharging	.	
					B_TestMode	.	
					B_TstModHvac	.	
					I_AcPresHiSse	A52.J1:13	18.2
					I_AcPresLoSse	A52.J1:14	18.2
					A52.J1:21	O_AcUnldrH	Hvac Right Hand Cylinder Unloader
B_EngineRun	.						
B_OneAltCharging	.						
B_TestMode	.						
B_TstModHvac	.						
D_PassSetPts	.						
I_AcPresHiSse	A52.J1:13	18.2					
I_AcPresLoSse	A52.J1:14	18.2					
A52.J1:4	O_LavFanMo	Lavatory Fan Motor	11.1		B_BatterySaver	.	
					B_EngineRun	.	
					B_OneAltCharging	.	
					B_TestMode	.	

# MULTIPLEX OUTPUT LIST

O\_xx... = Physical Output Pin ; I\_xx... = Physical Input Pin ; D\_xx... = CAN Network Signal from the HVAC control Head ; B\_xx... = Multiplex system global Network Variable

Module.Pin#	Signal name	Description	Page	Connected devices	Input involved		
A52.J1:4	O_LavFanMo	Lavatory Fan Motor	11.1		B_TstModHvac	.	
A52.J1:5	O_EngCmptLbZF	Engine Compartment Light Switch	25.1		I_EngCmptLTSw	A52.J1:11	25.1
					I_EngDoorSe	A52.J1:12	25.1
A52.J1:8	O_AcUnldLH	Hvac Left Hand Cylinder Unloader			B_BatterySaver	.	
					B_EngineRun	.	
					B_OneAltCharging	.	
					B_TestMode	.	
					B_TstModHvac	.	
					D_PassSetPts	.	
					I_AcPresHiSse	A52.J1:13	18.2
					I_AcPresLoSse	A52.J1:14	18.2
A53.J1:1	O_StarterRlyRtn	Starter Relay Return	3.2	Term49	I_IgnKeySw	A36.JB:2	
A53.J1:2	O_ZFTransinh		15.2		I_BrkLtSeFrSig	A36.JB:13	
					I_BrkLtSeRrSig	A51.J1:10	12.1
					I_ParkBrSe	A36.JB:9	
					I_WCLLoDorSe	A53.J1:12	36.1
					I_WclSw	A42.J1:6	36.1
A53.J1:20	O_PRAkRfgSol	Parcel Rack Refrigerent Solenoid	18.2	D8:A	B_BatterySaver	.	
					B_EngineRun	.	
					B_OneAltCharging	.	
					B_TestMode	.	
					B_TstModHvac	.	
					D_OnOffPassSw	.	
					I_FireExt1stAl	A36.JB:23	38.1
					I_FireExt2ndAlm	A44.J1:10	38.1
					I_FireSensorA36	A36.JB:5	9.1
					I_PRAckFanSw	A41.J1:20	18.2
A53.J1:21	O_EvaSpd2Rel	Evaporator Fan Speed 2	18.2	TermMo9	B_BatterySaver	.	
					B_EngineRun	.	
					B_LowVoltage	.	
					B_OneAltCharging	.	
					B_TestMode	.	
					B_TstModHvac	.	
					D_OnOffPassSw	.	
					D_PassSetPts	.	
					I_BatMonMod54	A54.J1:24	6.1
					I_FireExt1stAl	A36.JB:23	38.1
					I_FireExt2ndAlm	A44.J1:10	38.1
					I_FireSensorA36	A36.JB:5	9.1
A53.J1:3	O_TagAutUnLdSo	Tag Automatic Unload Solenoid	32.1		I_TagPitManSW	A43.J1:6	32.1
A53.J1:5	O_WCLOn	Wheel Chair Lift Enabled	36.1		I_ParkBrSe	A36.JB:9	
					I_WCLLoDorSe	A53.J1:12	36.1
					I_WclSw	A42.J1:6	36.1



# MULTIPLEX OUTPUT LIST

O\_xx... = Physical Output Pin ; I\_xx... = Physical Input Pin ; D\_xx... = CAN Network Signal from the HVAC control Head ; B\_xx.. = Multiplex system global Network Variable

Module.Pin#	Signal name	Description	Page	Connected devices	Input involved		
A53.J1:6	O_StarterRel	Starter Relay	3.2		B_BatterySaver	.	
					B_EngineRun	.	
					B_OneAltCharging	.	
					B_TestMode	.	
					B_TstModHvac	.	
					I_EngStaRrSw	A53.J1:11	3.2
					I_FrEngStaSw	A36.JB:22	3.2
					I_FrStrtEnSw	A53.J1:9	3.2
					I_NeutralSe	A50.J1:11	3.2
					I_RrStrtEnSw	A53.J1:10	3.2
					I_ZFNeutralSig	A50.J1:14	15.2
A53.J1:8	O_CndSpd2Rel	Condensor Fan Speed 2 Relay	18.2	R9:2	B_BatterySaver	.	
					B_EngineRun	.	
					B_LowVoltage	.	
					B_OneAltCharging	.	
					B_TestMode	.	
					B_TstModHvac	.	
					D_OnOffPassSw	.	
					D_PassSetPts	.	
					I_AcPresHiSse	A52.J1:13	18.2
					I_AcPresLoSse	A52.J1:14	18.2
					I_BatMonMod53	A53.J1:24	6.1
					I_FireExt1stAl	A36.JB:23	38.1
					I_FireExt2ndAlm	A44.J1:10	38.1
					I_FireSensorA36	A36.JB:5	9.1
					I_OutDoorTempSe	A54.J1:14	18.1
A54.J1:1	O_LHPRckFan	Left Hand Parcel Rack Fan	18.2		B_BatterySaver	.	
					B_EngineRun	.	
					B_OneAltCharging	.	
					B_TestMode	.	
					B_TstModHvac	.	
					I_PRackFanSw	A41.J1:20	18.2
A54.J1:2	O_RHPRckFan	Right Hand Parcel Rack Fan	18.2		B_BatterySaver	.	
					B_EngineRun	.	
					B_OneAltCharging	.	
					B_TestMode	.	
					B_TstModHvac	.	
					I_PRackFanSw	A41.J1:20	18.2
A54.J1:20	O_ACRecPass	A/C Pass. Gaz Cylinder Recycle	18.2	L205:1	B_BatterySaver	.	
					B_EngineRun	.	
					B_OneAltCharging	.	
					B_TestMode	.	
					B_TstModHvac	.	

# MULTIPLEX OUTPUT LIST

O\_xx... = Physical Output Pin ; I\_xx... = Physical Input Pin ; D\_xx... = CAN Network Signal from the HVAC control Head ; B\_xx.. = Multiplex system global Network Variable

Module.Pin#	Signal name	Description	Page	Connected devices	Input involved		
A54.J1:20	O_ACRecPass	A/C Pass. Gaz Cylinder Recycle	18.2	L205:1	D_OnOffPassSw	.	
					D_RecSw	.	
					I_EntDorClSe	A47.J1:10	29.1
					I_EntDorOpSw	A36.JB:15	
					I_EntDorOpSw2	A47.J1:12	29.1
					I_EntDorULkSe	A47.J1:11	29.1
					I_FireExt1stAl	A36.JB:23	38.1
					I_FireExt2ndAlm	A44.J1:10	38.1
					I_FireSensorA36	A36.JB:5	9.1
A54.J1:21	O_PassOnOff	Output HVAC Passenger ON/OFF	18.2	R26:85	B_BatterySaver	.	
					B_EngineRun	.	
					B_OneAltCharging	.	
					B_TestMode	.	
					B_TstModHvac	.	
					I_BatMonMod54	A54.J1:24	6.1
A54.J1:3	O_PasRfgSol	Passenger Refrigerent Solenoid	18.2	D11:A	B_BatterySaver	.	
					B_EngineRun	.	
					B_LowVoltage	.	
					B_OneAltCharging	.	
					B_TestMode	.	
					B_TstModHvac	.	
					D_OnOffPassSw	.	
					D_PassSetPts	.	
					I_BatMonMod54	A54.J1:24	6.1
					I_FireExt1stAl	A36.JB:23	38.1
					I_FireExt2ndAlm	A44.J1:10	38.1
					I_FireSensorA36	A36.JB:5	9.1
					I_OutDoorTempSe	A54.J1:14	18.1
A54.J1:4	O_ACWaterPmp	Hvac Water Pump	18.2	D9:A	B_BatterySaver	.	
					B_EngineRun	.	
					B_OneAltCharging	.	
					B_TestMode	.	
					B_TstModHvac	.	
					D_DrvFnSpdBit0	.	
					D_DrvFnSpdBit1	.	
					D_DrvFnSpdBit2	.	
					D_OnOffPassSw	.	
					D_PassSetPts	.	
					I_BatMonMod54	A54.J1:24	6.1
					I_FireExt1stAl	A36.JB:23	38.1
					I_FireExt2ndAlm	A44.J1:10	38.1
					I_FireSensorA36	A36.JB:5	9.1
					I_OutDoorTempSe	A54.J1:14	18.1

# MULTIPLEX OUTPUT LIST

O\_xx... = Physical Output Pin ; I\_xx... = Physical Input Pin ; D\_xx... = CAN Network Signal from the HVAC control Head ; B\_xx.. = Multiplex system global Network Variable

Module.Pin#	Signal name	Description	Page	Connected devices	Input involved		
A54.J1:5	O_CndSpd1Rel	Condensor Fan Speed 1 Relay	18.2	R10:2	B_BatterySaver	.	
					B_EngineRun	.	
					B_LowVoltage	.	
					B_OneAltCharging	.	
					B_TestMode	.	
					B_TstModHvac	.	
					D_OnOffPassSw	.	
					D_PassSetPts	.	
					I_AcPresHiSse	A52.J1:13	18.2
					I_AcPresLoSse	A52.J1:14	18.2
					I_BatMonMod53	A53.J1:24	6.1
					I_FireExt1stAl	A36.JB:23	38.1
					I_FireExt2ndAlm	A44.J1:10	38.1
					I_FireSensorA36	A36.JB:5	9.1
					I_OutDoorTempSe	A54.J1:14	18.1
A54.J1:7	O_EvaSpd1Rel	Evaporator Fan Speed 1 Relay	18.2	R12:2	B_BatterySaver	.	
					B_EngineRun	.	
					B_LowVoltage	.	
					B_OneAltCharging	.	
					B_TestMode	.	
					B_TstModHvac	.	
					D_OnOffPassSw	.	
					I_BatMonMod54	A54.J1:24	6.1
					I_FireExt1stAl	A36.JB:23	38.1
					I_FireExt2ndAlm	A44.J1:10	38.1
					I_FireSensorA36	A36.JB:5	9.1
A54.J1:8	O_PasHeatSol	Passenger Heat Solenoid Valve	18.2	R26:87	B_BatterySaver	.	
					B_EngineRun	.	
					B_OneAltCharging	.	
					B_TestMode	.	
					B_TstModHvac	.	
					D_DrvFnSpdBit0	.	
					D_DrvFnSpdBit1	.	
					D_DrvFnSpdBit2	.	
					D_OnOffPassSw	.	
					D_PassSetPts	.	
					I_BatMonMod54	A54.J1:24	6.1
					I_FireExt1stAl	A36.JB:23	38.1
					I_FireExt2ndAlm	A44.J1:10	38.1
					I_FireSensorA36	A36.JB:5	9.1
					I_OutDoorTempSe	A54.J1:14	18.1

# MULTIPLEX OUTPUT LIST

O\_xx... = Physical Output Pin ; I\_xx... = Physical Input Pin ; D\_xx... = CAN Network Signal from the HVAC control Head ; B\_xx.. = Multiplex system global Network Variable

Module.Pin#	Signal name	Description	Page	Connected devices	Input involved		
A36.JA:11	O_CtrlHead	Control Head	28,1		I_HdLtPos1Sw	A43.J1:4	26,1
A36.JA:13	O_EngineRun	Engine Run Signal	3,2	A15:6	B_EngineRun	.	
					B_OneAltCharging	.	
					D_OnOffDrvSw	.	
					I_AccKeySw	A36.JB:6	
					I_IgnKeySw	A36.JB:2	
A36.JA:15	O_WakeUp	WakeUp Relay	3,3		I_AccKeySw	A36.JB:6	
					I_EntDorOpSw	A36.JB:15	
					I_FireSensorA36	A36.JB:5	9,1
					I_HazardSw	A36.JB:4	26,1
					I_IgnKeySw	A36.JB:2	
					I_ParkBrSe	A36.JB:9	
					I_RrCutOutSw	A36.JB:21	3,2
					I_WCLLoDorSe	A53.J1:12	36,1
					I_WclSw	A42.J1:6	36,1
A36.JA:24	O_CutOutRel	Emergency CutOut Relay	3,2	R21:-	I_FireExt2ndAlm	A44.J1:10	38,1
					I_IgnKeySw	A36.JB:2	
A41.J1:12	O_KneeProxPwr	Kneeling Proximity Power	32,1	So16:1	I_IgnKeySw	A36.JB:2	
A41.J1:14	O_KneeDwSol	Kneeling Down Solenoid	32,1	So16:2	I_EntDorClSe	A47.J1:10	29,1
					I_IgnKeySw	A36.JB:2	
					I_KneeDwSw	A41.J1:7	32,1
					I_KneePressSe	A41.J1:18	32,1
					I_LwBuoySw	A36.JB:1	32,1
					I_ParkBrSe	A36.JB:9	
					I_WCLLoDorSe	A53.J1:12	36,1
					I_WclSw	A42.J1:6	36,1
A41.J1:15	O_KneeUpSol	Kneeling Up Solenoid	32,1	So15:2	I_IgnKeySw	A36.JB:2	
					I_KneeUpSw	A41.J1:6	32,1
A41.J1:16	O_ReHiBoySolRtn	Rear Hi Buoy Solenoid Return	32,1	So14:1	I_IgnKeySw	A36.JB:2	
A42.J1:11	O_SmokLb	No Smoking Light Bulb	11,1	L2:1	I_IgnKeySw	A36.JB:2	
A42.J1:12	O_ParkBrSolNeg	Park Brake Solenoid Return	32,1		I_EntDorClSe	A47.J1:10	29,1
					I_IgnKeySw	A36.JB:2	
					I_KneeDwSw	A41.J1:7	32,1
					I_KneePressSe	A41.J1:18	32,1
					I_KneeProxSe	A41.J1:19	32,1
					I_LwBuoySw	A36.JB:1	32,1
					I_ParkBrSe	A36.JB:9	
					I_PrkBrkRelSw	A42.J1:7	32,1
					I_WCLLoDorSe	A53.J1:12	36,1
					I_WclSw	A42.J1:6	36,1
A42.J1:13	O_LugLkSol	Luggage Lock Solenoid	33,1	So19:2	I_AccKeySw	A36.JB:6	
					I_IgnKeySw	A36.JB:2	
					I_LuaDorLkSw	A46.J1:10	33,1

# MULTIPLEX OUTPUT LIST

O\_xx... = Physical Output Pin ; I\_xx... = Physical Input Pin ; D\_xx... = CAN Network Signal from the HVAC control Head ; B\_xx.. = Multiplex system global Network Variable

Module.Pin#	Signal name	Description	Page	Connected devices	Input involved		
A42.J1:14	O_KneelingAlm	Kneeling Alarm	32,1	L188:1	I_EntDorClSe	A47.J1:10	29,1
					I_IgnKeySw	A36.JB:2	
					I_KneeDwSw	A41.J1:7	32,1
					I_KneePressSe	A41.J1:18	32,1
					I_KneeUpSw	A41.J1:6	32,1
					I_LwBuoySw	A36.JB:1	32,1
					I_ParkBrSe	A36.JB:9	
					I_WCLLoDorSe	A53.J1:12	36,1
					I_WclSw	A42.J1:6	36,1
A42.J1:16	O_LugULkSol	Luggage Lock Solenoid	33,1	So18:2	I_AccKeySw	A36.JB:6	
					I_IgnKeySw	A36.JB:2	
					I_LugDorULkSw	A46.J1:11	33,1
A42.J1:30	O_ParkBrSol	Park Brake Solenoid Valve	32,1	So17:2	I_EntDorClSe	A47.J1:10	29,1
					I_IgnKeySw	A36.JB:2	
					I_KneeDwSw	A41.J1:7	32,1
					I_KneePressSe	A41.J1:18	32,1
					I_KneeProxSe	A41.J1:19	32,1
					I_LwBuoySw	A36.JB:1	32,1
					I_ParkBrSe	A36.JB:9	
					I_PrkBrkRelSw	A42.J1:7	32,1
					I_WCLLoDorSe	A53.J1:12	36,1
					I_WclSw	A42.J1:6	36,1
A43.J1:13	O_WatchstepLb	Watch Your Step Light Bulb	9,1		B_BatterySaver	.	
					I_EntDorULkSe	A47.J1:11	29,1
A44.J1:1	O_DashTrapPMo	Dash Trap Motor	18,1	Mo3:1	D_AirFlapBit0	.	
					D_AirFlapBit1	.	
					D_AirFlapBit2	.	
					I_IgnKeySw	A36.JB:2	
A44.J1:2	O_DashTrapNMo	Dash Trap Motor Return	18,1	Mo3:3	D_AirFlapBit0	.	
					D_AirFlapBit1	.	
					D_AirFlapBit2	.	
					I_IgnKeySw	A36.JB:2	
A44.J1:20	O_DashBackLit	Dash BackLighting	19,1	Pot1.C:1	I_HdLtPos1Sw	A43.J1:4	26,1
A44.J1:3	O_DriverLtLb	Driver Light Bulb	19,1	L16:1	B_BatterySaver	.	
					I_AccKeySw	A36.JB:6	
					I_DrvLtSw	A43.J1:18	19,1
					I_IgnKeySw	A36.JB:2	
A44.J1:4	O_BrakeRedundant	Brake Redundant For Volvo D13	14,2		I_BrkLtSeFrSig	A36.JB:13	
					I_BrkLtSeRrSig	A51.J1:10	12,1
A44.J1:8	O_FrClearLb	Front Clearance Lights Bulb	26,1		B_BatterySaver	.	
					B_TstModExtLight	.	
					I_BlinkSw	A43.J1:20	
					I_BlinkSwRetro	A43.J1:5	26,1

# MULTIPLEX OUTPUT LIST

O\_xx... = Physical Output Pin ; I\_xx... = Physical Input Pin ; D\_xx... = CAN Network Signal from the HVAC control Head ; B\_xx.. = Multiplex system global Network Variable

Module.Pin#	Signal name	Description	Page	Connected devices	Input involved		
A44.J1:8	O_FrClearLb	Front Clearance Lights Bulb	26,1		I_HdLtPos1Sw	A43.J1:4	26,1
					I_HdLtPos2SwLH	A45.J1:12	
A45.J1:1	O_FootTrpPSol	Foot Trap Solenoid	18,1	Mo4:A	D_AirFlapBit0	.	
					D_AirFlapBit1	.	
					D_AirFlapBit2	.	
					I_IgnKeySw	A36.JB:2	
A45.J1:2	O_FootTrpNSol	Foot Trap Solenoid	18,1	Mo4:B	D_AirFlapBit0	.	
					D_AirFlapBit1	.	
					D_AirFlapBit2	.	
					I_IgnKeySw	A36.JB:2	
A45.J1:20	O_HornSol	Electric Horn	9,1		I_FireExt1stAl	A36.JB:23	38,1
					I_FireExt2ndAlm	A44.J1:10	38,1
					I_FireSensorA36	A36.JB:5	9,1
					I_HornSw	A45.J1:10	9,1
					I_IgnKeySw	A36.JB:2	
A45.J1:21	O_LHFrMkrLb	Left Hand Front Markers Light Bulb	26,1		B_BatterySaver	.	
					B_TstModExtLight	.	
					I_BlinkSw	A43.J1:20	
					I_BlinkSwRetro	A43.J1:5	26,1
					I_HdLtPos1Sw	A43.J1:4	26,1
					I_HdLtPos2SwLH	A45.J1:12	
A45.J1:3	O_LHFrFishLb	Left Hand Front Flasher Light Bulb	26,1		B_BatterySaver	.	
					B_TstModExtLight	.	
					I_HazardSw	A36.JB:4	26,1
					I_LHFlshSw	A45.J1:9	26,1
					I_LHFlshSwRrSig	A51.J1:9	26,2
					I_RHFlshSwRrSig	A51.J1:12	26,2
A45.J1:4	O_LHFogLb	Left Hand Fog Light Bulb	26,3	L95:A	B_BatterySaver	.	
					B_TstModExtLight	.	
					I_FogLightSw	A43.J1:10	26,3
A45.J1:5	O_LHCornerLb	Left Hand Cornering Light Bulb	26,3	L97.A:1	B_BatterySaver	.	
					B_TstModExtLight	.	
					I_CorneringLtSw	A43.J1:21	26,3
					I_LHFlshSw	A45.J1:9	26,1
A45.J1:6	O_LHHiBmLb	Left Hand Hi Beam Light Bulb	26,1	L60.B:1	B_BatterySaver	.	
					B_EngineRun	.	
					B_OneAltCharging	.	
					B_TstModExtLight	.	
					I_HdLthiLowBmSw	A43.J1:8	26,1
					I_HdLtPos2SwLH	A45.J1:12	
					I_HiBeamCallSw	A43.J1:3	26,1
A45.J1:7	O_LHLwBmLb	Left Hand Low Beam Light Bulb	26,1	L60.A:1	B_BatterySaver	.	
					B_TstModExtLight	.	

# MULTIPLEX OUTPUT LIST

O\_xx... = Physical Output Pin ; L\_xx... = Physical Input Pin ; D\_xx... = CAN Network Signal from the HVAC control Head ; B\_xx.. = Multiplex system global Network Variable

Module.Pin#	Signal name	Description	Page	Connected devices	Input involved
A45.J1:7	O_LHLwBmLb	Left Hand Low Beam Light	26,1	L60.A:1	I_HdLtPos2SwLH A45.J1:12
A45.J1:8	O_FlshAudiRel	Flasher Audible Relay	26,1	R16:86	B_BatterySaver . I_HazardSw A36.JB:4 26,1 I_LHFishSw A45.J1:9 26,1 I_LHFishSwRrSig A51.J1:9 26,2 I_RHFishSw A48.J1:12 26,1 I_RHFishSwRrSig A51.J1:12 26,2
A46.J1:21	O_HeadLmpWsh		34,1		I_HeadLmpWshSw A45.J1:11 34,1
A46.J1:3	O_LwWshPmp	Lower Wiper Washer Pump	34,1		B_BatterySaver . I_LwWshSw A44.J1:9 34,1
A46.J1:5	O_DrvRfgSol	Driver refrigerent solenoid	18,1	D2:A	B_BatterySaver . B_EngineRun . B_OneAltCharging . B_TestMode . B_TstModHvac . I_AcPresHiSse A52.J1:13 18,2 I_AcPresLoSse A52.J1:14 18,2 I_BatMonMod47 A47.J1:24 6,1 I_OutDoorTempSe A54.J1:14 18,1
A46.J1:6	O_DrvHeatSol	Driver Heat Solenoid	18,1	So8:1	B_BatterySaver . B_EngineRun . B_OneAltCharging . B_TestMode . B_TstModHvac . D_AirFlapBit0 . D_AirFlapBit1 . D_AirFlapBit2 . D_DriverSetPts . D_DrvFnSpdBit0 . D_DrvFnSpdBit1 . D_DrvFnSpdBit2 . D_OnOffPassSw . D_PassSetPts . I_BatMonMod46 A46.J1:24 6,1 I_BatMonMod47 A47.J1:24 6,1 I_BatMonMod54 A54.J1:24 6,1 I_DrvTempSe A46.J1:13 18,1 I_FireExt1stAl A36.JB:23 38,1 I_FireExt2ndAlm A44.J1:10 38,1 I_FireSensorA36 A36.JB:5 9,1 I_OutDoorTempSe A54.J1:14 18,1
A46.J1:7	O_UpDefFanMo	Upper defroster Fan Motor	18,1	Res8.B:1, Res11.A:1	B_BatterySaver . B_EngineRun .

# MULTIPLEX OUTPUT LIST

O\_xx... = Physical Output Pin ; I\_xx... = Physical Input Pin ; D\_xx... = CAN Network Signal from the HVAC control Head ; B\_xx.. = Multiplex system global Network Variable

Module.Pin#	Signal name	Description	Page	Connected devices	Input involved		
A46.J1:7	O_UpDefFanMo	Upper defroster Fan Motor	18,1	Res8.B:1, Res11.A:1	B_OneAltCharging	.	
					B_TestMode	.	
					B_TstModHvac	.	
					I_BatMonMod47	A47.J1:24	6,1
					I_OutDoorTempSe	A54.J1:14	18,1
					I_UpperDefFanSw	A41.J1:17	18,1
A47.J1:1	O_DrvDefFanMo	Driver Defroster Fan Motor	18,1	A24.B:B	B_BatterySaver	.	
					B_EngineRun	.	
					B_OneAltCharging	.	
					D_DrvFnSpdBit0	.	
					D_DrvFnSpdBit1	.	
					D_DrvFnSpdBit2	.	
					D_OnOffDrvSw	.	
					I_BatMonMod47	A47.J1:24	6,1
					I_IgnKeySw	A36.JB:2	
A47.J1:2	O_DrvRecTrap	Driver Recycle Trap	18,1	L203:A	B_BatterySaver	.	
					B_EngineRun	.	
					B_OneAltCharging	.	
					B_TestMode	.	
					B_TstModHvac	.	
					D_OnOffPassSw	.	
					D_RecSw	.	
					I_EntDorClSe	A47.J1:10	29,1
					I_EntDorOpSw	A36.JB:15	
					I_EntDorOpSw2	A47.J1:12	29,1
					I_EntDorULkSe	A47.J1:11	29,1
					I_FireExt1stAl	A36.JB:23	38,1
					I_FireExt2ndAlm	A44.J1:10	38,1
					I_FireSensorA36	A36.JB:5	9,1
A47.J1:20	O_UpDefWtrPump	Upper Defrost Water Pump	18,1		B_BatterySaver	.	
					B_EngineRun	.	
					B_OneAltCharging	.	
					B_TestMode	.	
					B_TstModHvac	.	
					I_BatMonMod47	A47.J1:24	6,1
					I_OutDoorTempSe	A54.J1:14	18,1
					I_UpperDefFanSw	A41.J1:17	18,1
A47.J1:3	O_LwWipSpd1	Lower Wiper Speed 1	34,1	R23:86	B_BatterySaver	.	
					I_LwWipIntSw	A42.J1:4	34,1
					I_LwWshSw	A44.J1:9	34,1
A47.J1:5	O_EntDorStpLb	Entrance Door Step Light Bulb	29,1		B_BatterySaver	.	
					I_EntDorULkSe	A47.J1:11	29,1
A47.J1:6	O_EntDorClSol	Entrance Door Close Solenoid	29,1	So6:2	I_EntDorClInSw	A36.JB:10	29,1



# MULTIPLEX OUTPUT LIST

O\_xx... = Physical Output Pin ; L\_xx... = Physical Input Pin ; D\_xx... = CAN Network Signal from the HVAC control Head ; B\_xx.. = Multiplex system global Network Variable

Module.Pin#	Signal name	Description	Page	Connected devices	Input involved		
A47.J1:6	O_EntDorClSol	Entrance Door Close Solenoid Valve	29,1	So6:2	I_EntDorClOutSw	A36.JB:17	29,1
A47.J1:7	O_EntDorOpSol	Entrance Door Open Solenoid Valve	29,1	So5:2	I_EntDorClSe	A47.J1:10	29,1
					I_EntDorOpSe	A48.J1:11	29,1
					I_EntDorOpSw	A36.JB:15	
					I_EntDorOpSw2	A47.J1:12	29,1
					I_EntDorULkSe	A47.J1:11	29,1
A48.J1:20	O_RHFrSidFlshLb	RH Front Side Flasher L-Bulb	26,1	L64:1	B_BatterySaver	.	
					B_TstModExtLight	.	
					I_EntDorClSe	A47.J1:10	29,1
					I_HazardSw	A36.JB:4	26,1
					I_KneeDwSw	A41.J1:7	32,1
					I_KneePressSe	A41.J1:18	32,1
					I_KneeUpSw	A41.J1:6	32,1
					I_LHFfshSwRrSig	A51.J1:9	26,2
					I_LwBuoySw	A36.JB:1	32,1
					I_RHFfshSw	A48.J1:12	26,1
					I_RHFfshSwRrSig	A51.J1:12	26,2
					I_WCLLoDorSe	A53.J1:12	36,1
					I_WclSw	A42.J1:6	36,1
A48.J1:3	O_RHHiBeamLb	Right Hand Hi Beam Light Bulb	26,1	L59.B:1	B_BatterySaver	.	
					B_EngineRun	.	
					B_OneAltCharging	.	
					B_TstModExtLight	.	
					I_HdLtHiLowBmSw	A43.J1:8	26,1
					I_HdLtPos2SwLH	A45.J1:12	
					I_HiBeamCallSw	A43.J1:3	26,1
A48.J1:4	O_RHLwBeamLb	Right Hand Low Beam Light Bulb	26,1	L59.A:1	B_BatterySaver	.	
					B_TstModExtLight	.	
					I_HdLtPos2SwRH	A48.J1:10	26,1
A48.J1:5	O_RHCornerLb	Right Hand Cornering Light Bulb	26,3	L98.A:1	B_BatterySaver	.	
					B_TstModExtLight	.	
					I_RHFfshSw	A48.J1:12	26,1
A48.J1:6	O_RHFrFlshLb	Right Hand Front Flasher Light Bulb	26,1	L61:3	B_BatterySaver	.	
					B_TstModExtLight	.	
					I_HazardSw	A36.JB:4	26,1
					I_LHFfshSwRrSig	A51.J1:9	26,2
					I_RHFfshSw	A48.J1:12	26,1
					I_RHFfshSwRrSig	A51.J1:12	26,2
A48.J1:7	O_RHFrMrkLb	Right Hand Front Markers Light Bulb	26,1		B_BatterySaver	.	
					B_TstModExtLight	.	
					I_BlinkSw	A43.J1:20	
					I_BlinkSwRetro	A43.J1:5	26,1
					I_HdLtPos1Sw	A43.J1:4	26,1

# MULTIPLEX OUTPUT LIST

O\_xx... = Physical Output Pin ; I\_xx... = Physical Input Pin ; D\_xx... = CAN Network Signal from the HVAC control Head ; B\_xx.. = Multiplex system global Network Variable

Module.Pin#	Signal name	Description	Page	Connected devices	Input involved		
A48.J1:7	O_RHFrMrkLb	Right Hand Front Markers Light Bulb	26,1		I_HdLtPos2SwLH	A45.J1:12	
A49.J1:13	O_AisleLb	Aisle and Emergency Lamps	20,1	R15:85	B_BatterySaver	.	
A50.J1:2	O_TransInhibit	Transmission Inhibit	15,1	A1:1	I_HdLtPos1Sw	A43.J1:4	26,1
					I_BrkLtSeFrSig	A36.JB:13	
					I_BrkLtSeRrSig	A51.J1:10	12,1
					I_ParkBrSe	A36.JB:9	
					I_WCLLoDorSe	A53.J1:12	36,1
	I_WclSw	A42.J1:6	36,1				
A50.J1:3	O_RevLbBuz	Reverse Alarm and Light Bulb	26,3		B_BatterySaver	.	
					B_EngineRun	.	
					B_OneAltCharging	.	
					B_TestMode	.	
					B_TestSwBuz2	.	
					B_TestSwBuzzer	.	
					B_TstModExtLight	.	
					B_TstModHvac	.	
					B_TstModHvacNext	.	
					B_TstSwBuz3	.	
A50.J1:4	O_ReClearLb	Rear Clearance Light Bulb	26,2		B_BatterySaver	.	
					B_TstModExtLight	.	
					I_BlinkSw	A43.J1:20	
					I_BlinkSwRetro	A43.J1:5	26,1
					I_HdLtPos1Sw	A43.J1:4	26,1
	I_HdLtPos2SwLH	A45.J1:12					
A50.J1:5	O_LHctrFlshLb	Water Filter Indicator Warning	26,2	L70:1	B_BatterySaver	.	
					B_TstModExtLight	.	
					I_HazardSw	A36.JB:4	26,1
					I_LHFlshSwRrSig	A51.J1:9	26,2
	I_RHFlshSwRrSig	A51.J1:12	26,2				
A50.J1:6	O_BrLtLowerLb		12,1		B_BatterySaver	.	
					B_EngineRun	.	
					B_OneAltCharging	.	
					B_TstModExtLight	.	
					I_BrkLtSeFrSig	A36.JB:13	
					I_BrkLtSeRrSig	A51.J1:10	12,1
					I_EngBrOnSe	A42.J1:18	
					I_IgnKeySw	A36.JB:2	
	I_RetdrSig	A50.J1:12	12,1				
A50.J1:7	O_RHctrFlshLb	Wheel Chair Lift Warning Indicator	26,2	L68:1	B_BatterySaver	.	
					B_TstModExtLight	.	
					I_HazardSw	A36.JB:4	26,1
					I_LHFlshSwRrSig	A51.J1:9	26,2
	I_RHFlshSwRrSig	A51.J1:12	26,2				

# MULTIPLEX OUTPUT LIST

O\_xx... = Physical Output Pin ; I\_xx... = Physical Input Pin ; D\_xx... = CAN Network Signal from the HVAC control Head ; B\_xx.. = Multiplex system global Network Variable

Module.Pin#	Signal name	Description	Page	Connected devices	Input involved		
A50.J1:8	O_CtrSdMrkLb	Tag Axle Warning Indicator	26,2		B_BatterySaver	.	
					B_TstModExtLight	.	
					I_BlinkSw	A43.J1:20	
					I_BlinkSwRetro	A43.J1:5	26,1
					I_HdLtPos1Sw	A43.J1:4	26,1
					I_HdLtPos2SwLH	A45.J1:12	
A51.J1:1	O_SerBrkTrans	Servise Brake Signal For	15,1	A1:62	I_BrkLtSeFrSig	A36.JB:13	
A51.J1:2	O_LavRoofLb		11,1	L142:1	I_IgnKeySw	A36.JB:2	
					I_LavDorLkSe	A49.J1:5	11,1
					I_LavEmrgSw	A49.J1:6	11,1
A51.J1:21	O_LHReFlshLb	Left Hand Rear Flasher Light Bulb	26,2		B_BatterySaver	.	
					B_TstModExtLight	.	
					I_HazardSw	A36.JB:4	26,1
					I_LHFlshSwRrSig	A51.J1:9	26,2
					I_RHFlshSwRrSig	A51.J1:12	26,2
A51.J1:3	O_RHReFlshLb	Right Hand Rear Flasher Light Bulb			B_BatterySaver	.	
					B_TstModExtLight	.	
					I_HazardSw	A36.JB:4	26,1
					I_LHFlshSwRrSig	A51.J1:9	26,2
					I_RHFlshSwRrSig	A51.J1:12	26,2
A51.J1:4	O_LHDockLb	Left Hand Docking Light Bulb	26,3	L93.A:1	B_BatterySaver	.	
					B_TstModExtLight	.	
					I_DockingLtSw	A43.J1:7	9,1
A51.J1:5	O_RHDockLb	Right Hand Docking Light Bulb	26,3	L94.A:1	B_BatterySaver	.	
					B_TstModExtLight	.	
					I_DockingLtSw	A43.J1:7	9,1
A51.J1:6	O_BrLtUpperLb		26,2		B_BatterySaver	.	
					B_EngineRun	.	
					B_OneAltCharging	.	
					B_TstModExtLight	.	
					I_BrkLtSeFrSig	A36.JB:13	
					I_BrkLtSeRrSig	A51.J1:10	12,1
					I_EngBrOnSe	A42.J1:18	
					I_RetdrSig	A50.J1:12	12,1
A51.J1:7	O_CyclopeLt	Cyclope Brake Light	26,2	L81.A:1	B_BatterySaver	.	
					B_EngineRun	.	
					B_OneAltCharging	.	
					B_TstModExtLight	.	
					I_BrkLtSeFrSig	A36.JB:13	
					I_BrkLtSeRrSig	A51.J1:10	12,1
A51.J1:8	O_ReTailMkLb	Rear Tail Markers Light Bulb	26,2		B_BatterySaver	.	
					B_TstModExtLight	.	
					I_BlinkSw	A43.J1:20	

# MULTIPLEX OUTPUT LIST

O\_xx... = Physical Output Pin ; I\_xx... = Physical Input Pin ; D\_xx... = CAN Network Signal from the HVAC control Head ; B\_xx.. = Multiplex system global Network Variable

Module.Pin#	Signal name	Description	Page	Connected devices	Input involved		
A51.J1:8	O_ReTailMkLb	Rear Tail Markers Light Bulb	26,2		I_BlinkSwRetro	A43.J1:5	26,1
					I_HdLtPos1Sw	A43.J1:4	26,1
					I_HdLtPos2SwLH	A45.J1:12	
A52.J1:1	O_EngFanSpd1	Engine Fan Radiator Speed 1	13,1		B_BatterySaver	.	
					B_EngineRun	.	
					B_OneAltCharging	.	
					B_TestMode	.	
					B_TstModHvac	.	
					I_EngFanSpd1	A52.J1:9	13,1
					I_EngFanSw	A36.JB:14	13,1
					I_FireExt1stAl	A36.JB:23	38,1
A52.J1:2	O_EngFanSpd2	Engine Fan Radiator Speed 2	13,1		B_BatterySaver	.	
					B_EngineRun	.	
					B_OneAltCharging	.	
					B_TestMode	.	
					B_TstModHvac	.	
					I_EngFanSpd1	A52.J1:9	13,1
					I_EngFanSpd2	A52.J1:10	13,1
					I_EngFanSw	A36.JB:14	13,1
A52.J1:20	O_AcCluSol	Hvac AC Clutch Solenoid			B_BatterySaver	.	
					B_EngineRun	.	
					B_OneAltCharging	.	
					B_TestMode	.	
					B_TstModHvac	.	
					I_AcPresHiSse	A52.J1:13	18,2
					I_AcPresLoSse	A52.J1:14	18,2
					A52.J1:21	O_AcUnldrH	Hvac Right Hand Cylinder Unloader
B_EngineRun	.						
B_OneAltCharging	.						
B_TestMode	.						
B_TstModHvac	.						
D_PassSetPts	.						
I_AcPresHiSse	A52.J1:13	18,2					
I_AcPresLoSse	A52.J1:14	18,2					
A52.J1:4	O_LavFanMo	Lavatory Fan Motor	11,1		B_BatterySaver	.	
					B_EngineRun	.	
					B_OneAltCharging	.	
					B_TestMode	.	

# MULTIPLEX OUTPUT LIST

O\_xx... = Physical Output Pin ; I\_xx... = Physical Input Pin ; D\_xx... = CAN Network Signal from the HVAC control Head ; B\_xx... = Multiplex system global Network Variable

Module.Pin#	Signal name	Description	Page	Connected devices	Input involved		
A52.J1:4	O_LavFanMo	Lavatory Fan Motor	11,1		B_TstModHvac	.	
A52.J1:5	O_EngCmptLbZF	Engine Compartment Light Switch	25,1		I_EngCmptLbSw	A52.J1:11	25,1
					I_EngDoorSe	A52.J1:12	25,1
A52.J1:8	O_AcUnldLH	Hvac Left Hand Cylinder Unloader			B_BatterySaver	.	
					B_EngineRun	.	
					B_OneAltCharging	.	
					B_TestMode	.	
					B_TstModHvac	.	
					D_PassSetPts	.	
					I_AcPresHiSse	A52.J1:13	18,2
					I_AcPresLoSse	A52.J1:14	18,2
A53.J1:1	O_StarterRlyRtn	Starter Relay Return	3,2	Term49	I_IgnKeySw	A36.JB:2	
A53.J1:2	O_ZFTransinh		15,2		I_BrkLtSeFrSig	A36.JB:13	
					I_BrkLtSeRrSig	A51.J1:10	12,1
					I_ParkBrSe	A36.JB:9	
					I_WCLLoDorSe	A53.J1:12	36,1
					I_WclSw	A42.J1:6	36,1
A53.J1:20	O_PRAkRfgSol	Parcel Rack Refrigerent Solenoid	18,2	D8:A	B_BatterySaver	.	
					B_EngineRun	.	
					B_OneAltCharging	.	
					B_TestMode	.	
					B_TstModHvac	.	
					D_OnOffPassSw	.	
					I_FireExt1stAl	A36.JB:23	38,1
					I_FireExt2ndAlm	A44.J1:10	38,1
					I_FireSensorA36	A36.JB:5	9,1
					I_PRAckFanSw	A41.J1:20	18,2
A53.J1:21	O_EvaSpd2Rel	Evaporator Fan Speed 2	18,2	TermMo9	B_BatterySaver	.	
					B_EngineRun	.	
					B_LowVoltage	.	
					B_OneAltCharging	.	
					B_TestMode	.	
					B_TstModHvac	.	
					D_OnOffPassSw	.	
					D_PassSetPts	.	
					I_BatMonMod54	A54.J1:24	6,1
					I_FireExt1stAl	A36.JB:23	38,1
					I_FireExt2ndAlm	A44.J1:10	38,1
					I_FireSensorA36	A36.JB:5	9,1
A53.J1:3	O_TagAutUnLdSo	Tag Automatic Unload Solenoid	32,1		I_TagPitManSW	A43.J1:6	32,1
A53.J1:5	O_WCLOn	Wheel Chair Lift Enabled	36,1		I_ParkBrSe	A36.JB:9	
					I_WCLLoDorSe	A53.J1:12	36,1
					I_WclSw	A42.J1:6	36,1

# MULTIPLEX OUTPUT LIST

O\_xx... = Physical Output Pin ; I\_xx... = Physical Input Pin ; D\_xx... = CAN Network Signal from the HVAC control Head ; B\_xx.. = Multiplex system global Network Variable

Module.Pin#	Signal name	Description	Page	Connected devices	Input involved		
A53.J1:6	O_StarterRel	Starter Relay	3,2		B_BatterySaver	.	
					B_EngineRun	.	
					B_OneAltCharging	.	
					B_TestMode	.	
					B_TstModHvac	.	
					I_EngStaRrSw	A53.J1:11	3,2
					I_FrEngStaSw	A36.JB:22	3,2
					I_FrStrtEnSw	A53.J1:9	3,2
					I_NeutralSe	A50.J1:11	3,2
					I_RrStrtEnSw	A53.J1:10	3,2
					I_ZFNeutralSig	A50.J1:14	15,2
A53.J1:8	O_CndSpd2Rel	Condensor Fan Speed 2 Relay	18,2	R9:2	B_BatterySaver	.	
					B_EngineRun	.	
					B_LowVoltage	.	
					B_OneAltCharging	.	
					B_TestMode	.	
					B_TstModHvac	.	
					D_OnOffPassSw	.	
					D_PassSetPts	.	
					I_AcPresHiSse	A52.J1:13	18,2
					I_AcPresLoSse	A52.J1:14	18,2
					I_BatMonMod53	A53.J1:24	6,1
					I_FireExt1stAl	A36.JB:23	38,1
					I_FireExt2ndAlm	A44.J1:10	38,1
					I_FireSensorA36	A36.JB:5	9,1
					I_OutDoorTempSe	A54.J1:14	18,1
A54.J1:1	O_LHPRckFan	Left Hand Parcel Rack Fan	18,2		B_BatterySaver	.	
					B_EngineRun	.	
					B_OneAltCharging	.	
					B_TestMode	.	
					B_TstModHvac	.	
					I_PRackFanSw	A41.J1:20	18,2
A54.J1:2	O_RHPRckFan	Right Hand Parcel Rack Fan	18,2		B_BatterySaver	.	
					B_EngineRun	.	
					B_OneAltCharging	.	
					B_TestMode	.	
					B_TstModHvac	.	
					I_PRackFanSw	A41.J1:20	18,2
A54.J1:20	O_ACRecPass	A/C Pass. Gaz Cylinder Recycle	18,2	L205:1	B_BatterySaver	.	
					B_EngineRun	.	
					B_OneAltCharging	.	
					B_TestMode	.	
					B_TstModHvac	.	

# MULTIPLEX OUTPUT LIST

O\_xx... = Physical Output Pin ; I\_xx... = Physical Input Pin ; D\_xx... = CAN Network Signal from the HVAC control Head ; B\_xx.. = Multiplex system global Network Variable

Module.Pin#	Signal name	Description	Page	Connected devices	Input involved		
A54.J1:20	O_ACRecPass	A/C Pass. Gaz Cylinder Recycle	18,2	L205:1	D_OnOffPassSw	.	
					D_RecSw	.	
					I_EntDorClSe	A47.J1:10	29,1
					I_EntDorOpSw	A36.JB:15	
					I_EntDorOpSw2	A47.J1:12	29,1
					I_EntDorULkSe	A47.J1:11	29,1
					I_FireExt1stAl	A36.JB:23	38,1
					I_FireExt2ndAlm	A44.J1:10	38,1
					I_FireSensorA36	A36.JB:5	9,1
A54.J1:21	O_PassOnOff	Output HVAC Passenger ON/OFF	18,2	R26:85	B_BatterySaver	.	
					B_EngineRun	.	
					B_OneAltCharging	.	
					B_TestMode	.	
					B_TstModHvac	.	
					I_BatMonMod54	A54.J1:24	6,1
A54.J1:3	O_PasRfgSol	Passenger Refrigerent Solenoid	18,2	D11:A	B_BatterySaver	.	
					B_EngineRun	.	
					B_LowVoltage	.	
					B_OneAltCharging	.	
					B_TestMode	.	
					B_TstModHvac	.	
					D_OnOffPassSw	.	
					D_PassSetPts	.	
					I_BatMonMod54	A54.J1:24	6,1
					I_FireExt1stAl	A36.JB:23	38,1
					I_FireExt2ndAlm	A44.J1:10	38,1
					I_FireSensorA36	A36.JB:5	9,1
					I_OutDoorTempSe	A54.J1:14	18,1
A54.J1:4	O_ACWaterPmp	Hvac Water Pump	18,2	D9:A	B_BatterySaver	.	
					B_EngineRun	.	
					B_OneAltCharging	.	
					B_TestMode	.	
					B_TstModHvac	.	
					D_DrvFnSpdBit0	.	
					D_DrvFnSpdBit1	.	
					D_DrvFnSpdBit2	.	
					D_OnOffPassSw	.	
					D_PassSetPts	.	
					I_BatMonMod54	A54.J1:24	6,1
					I_FireExt1stAl	A36.JB:23	38,1
					I_FireExt2ndAlm	A44.J1:10	38,1
					I_FireSensorA36	A36.JB:5	9,1
					I_OutDoorTempSe	A54.J1:14	18,1

# MULTIPLEX OUTPUT LIST

O\_xx... = Physical Output Pin ; I\_xx... = Physical Input Pin ; D\_xx... = CAN Network Signal from the HVAC control Head ; B\_xx.. = Multiplex system global Network Variable

Module.Pin#	Signal name	Description	Page	Connected devices	Input involved		
A54.J1:5	O_CndSpd1Rel	Condensor Fan Speed 1 Relay	18,2	R10:2	B_BatterySaver	.	
					B_EngineRun	.	
					B_LowVoltage	.	
					B_OneAltCharging	.	
					B_TestMode	.	
					B_TstModHvac	.	
					D_OnOffPassSw	.	
					D_PassSetPts	.	
					I_AcPresHiSse	A52.J1:13	18,2
					I_AcPresLoSse	A52.J1:14	18,2
					I_BatMonMod53	A53.J1:24	6,1
					I_FireExt1stAl	A36.JB:23	38,1
					I_FireExt2ndAlm	A44.J1:10	38,1
					I_FireSensorA36	A36.JB:5	9,1
					I_OutDoorTempSe	A54.J1:14	18,1
A54.J1:7	O_EvaSpd1Rel	Evaporator Fan Speed 1 Relay	18,2	R12:2	B_BatterySaver	.	
					B_EngineRun	.	
					B_LowVoltage	.	
					B_OneAltCharging	.	
					B_TestMode	.	
					B_TstModHvac	.	
					D_OnOffPassSw	.	
					I_BatMonMod54	A54.J1:24	6,1
					I_FireExt1stAl	A36.JB:23	38,1
					I_FireExt2ndAlm	A44.J1:10	38,1
					I_FireSensorA36	A36.JB:5	9,1
A54.J1:8	O_PasHeatSol	Passenger Heat Solenoid Valve	18,2	R26:87	B_BatterySaver	.	
					B_EngineRun	.	
					B_OneAltCharging	.	
					B_TestMode	.	
					B_TstModHvac	.	
					D_DrvFnSpdBit0	.	
					D_DrvFnSpdBit1	.	
					D_DrvFnSpdBit2	.	
					D_OnOffPassSw	.	
					D_PassSetPts	.	
					I_BatMonMod54	A54.J1:24	6,1
					I_FireExt1stAl	A36.JB:23	38,1
					I_FireExt2ndAlm	A44.J1:10	38,1
					I_FireSensorA36	A36.JB:5	9,1
					I_OutDoorTempSe	A54.J1:14	18,1



# MULTIPLEX INPUT LIST

O\_xx... = Physical Output Pin ; I\_xx... = Physical Input Pin ; D\_xx... = CAN Network Signal from the HVAC control Head ; B\_xx.. = Multiplex system global Network Variable

Module.Pin#	Signal name	Description	Page	Connected devices
A36.JB:1	I_LwBuoySw	Low Buoy Signal From Pressure Switch	32.1	Sw43:A
A36.JB:10	I_EntDorClInSw	Entrance Door Close Inside Switch	29.1	Sw32:3
A36.JB:11	I_InputTest		9.1	Sw13:3
A36.JB:13	I_BrkLtSeFrSig	Brake Lights Sensor		
A36.JB:14	I_EngFanSw	Radiator Fan Switch	13.1	Sw22:3
A36.JB:15	I_EntDorOpSw	Entrance Door Open Switch		
A36.JB:17	I_EntDorClOutSw	Entrance Door Close Outside Switch	29.1	Sw34:1
A36.JB:2	I_IgnKeySw	Ignition Key switch		
A36.JB:21	I_RrCutOutSw	Rear Junction Box CutOut Switch	3.2	
A36.JB:22	I_FrEngStaSw	Front Engine Start Switch	3.2	
A36.JB:23	I_FireExt1stAl		38.1	
A36.JB:4	I_HazardSw	Hazard Switch	26.1	Sw4:3
A36.JB:5	I_FireSensorA36	Fire Sensor On A36	9.1	
A36.JB:6	I_AccKeySw	Accessories Key switch		
A36.JB:9	I_ParkBrSe	Parking Brake Sensor		
A41.J1:10	I_ReadLtsSw	Passenger Reading lights Switch	22.1	Sw26:3
A41.J1:17	I_UpperDefFanSw	Upper Defrost Dash Switch	18.1	Sw21:3
A41.J1:18	I_KneePressSe	Kneeling Pressure Sensor	32.1	Se26:B
A41.J1:19	I_KneeProxSe	Kneeling Proximity Sensor	32.1	Se27:1
A41.J1:20	I_P RackFanSw		18.2	Sw27:3
A41.J1:3	I_InDirLtsSw	Passenger Indirect lightning Switch	23.1	
A41.J1:4	I_DirLtsSw	Passenger Direct Light Switch	24.1	Sw25:6
A41.J1:6	I_KneeUpSw	Kneeling Up Switch	32.1	Sw10:3
A41.J1:7	I_KneeDwSw	Kneeling Down Switch	32.1	Sw10:1
A42.J1:1	I_TrailerPrkBkSe		12.1	
A42.J1:18	I_EngBrOnSe	Engine Brake ACTIVE Sensor		
A42.J1:19	I_UpWshSw	Upper Washer Wiper Switch	34.1	Sw6:3
A42.J1:2	I_TrailerPrkBkSw		12.1	Sw40:A
A42.J1:20	I_UpWipIntSw	Upper Wiper Intermitant Switch	34.1	
A42.J1:21	I_UpWipSw	Upper Wiper Switch	34.1	Sw5:6
A42.J1:4	I_LwWipIntSw	Lower Wiper Intermitant Switch	34.1	Sw1.C258:7
A42.J1:5	I_EtherSw	Ether Switch	13.1	Sw23:3
A42.J1:6	I_WclSw	Wheel Chair Lift Dash Switch	36.1	Sw20:3
A42.J1:7	I_PrkBrkRelSw	Park Brake Release Switch	32.1	Sw28:3, Sw11A:3
A42.J1:9	I_StopEngSe	Stop Engine Sensor		
A43.J1:10	I_FogLightSw	Fog Lights Switch	26.3	Sw3:3
A43.J1:18	I_DrvLtSw	Driver Light Switch	19.1	Sw24:3
A43.J1:20	I_BlinkSw	Courtesy Blink Switch		
A43.J1:21	I_CorneringLtSw	Cornering Light Switch	26.3	
A43.J1:3	I_HiBeamCallSw	Hi/Low Beam Switch	26.1	Sw1.C259:4
A43.J1:4	I_HdLtPos1Sw	Head Light Switch Position Markers	26.1	
A43.J1:5	I_BlinkSwRetro	Courtesy Blink Switch	26.1	Sw1.C258:5
A43.J1:6	I_TaoPitManSW	Tao Automatic Unload PitMan Sw	32.1	

# MULTIPLEX INPUT LIST

O\_xx... = Physical Output Pin ; I\_xx... = Physical Input Pin ; D\_xx... = CAN Network Signal from the HVAC control Head ; B\_xx.. = Multiplex system global Network Variable

Module.Pin#	Signal name	Description	Page	Connected devices
A43.J1:7	I_DockingLtSw	Docking Lights Switch	9.1	
A43.J1:8	I_HdLtHiLowBmSw	Head Lights High and Low Beam Switch	26.1	Sw1.C258:8
A44.J1:10	I_FireExt2ndAlm		38.1	
A44.J1:9	I_LwWshSw	Lower Wiper Washer Switch	34.1	Sw1.C258:6
A45.J1:10	I_HornSw	Horn Switch	9.1	
A45.J1:11	I_HeadLmpWshSw		34.1	
A45.J1:12	I_HdLtPos2SwLH	Head Light Switch Beam Position 2 LH		
A45.J1:9	I_LHFlshSw	Left Hand Flasher Switch	26.1	
A46.J1:10	I_LugDorLkSw	Luggage Door Lock Switch	33.1	Sw18:3
A46.J1:11	I_LugDorULkSw	Luggage Door Unlock Switch	33.1	Sw18:1
A46.J1:13	I_DrvTempSe	Driver Temperature sensor	18.1	Se21:2
A46.J1:24	I_BatMonMod46		6.1	A46.J1:26
A47.J1:10	I_EntDorClSe	Entrance Door Close Sensor	29.1	Se17:1
A47.J1:11	I_EntDorULkSe	Entrance Door UnLock Sensor	29.1	Se16:B
A47.J1:12	I_EntDorOpSw2		29.1	D7:B
A47.J1:24	I_BatMonMod47		6.1	A47.J1:27
A48.J1:10	I_HdLtPos2SwRH	Head Light Switch Beam Position 2 RH	26.1	
A48.J1:11	I_EntDorOpSe	Entrance Door Open Sensor	29.1	Se15:1
A48.J1:12	I_RHFlshSw	Right Hand Flasher Switch	26.1	
A49.J1:1	I_WCLDoorLtch	WCL Sliding door firts latch detection door open	36.1	Sw94.A:1
A49.J1:2	I_LavFlshSw	Lavatory Flushing Switch		
A49.J1:5	I_LavDorLkSe	Lavatory Door Lock Sensor	11.1	Skin7
A49.J1:6	I_LavEmrgSw	Lavatory Emergency Switch	11.1	Sw55.A:1
A49.J1:9	I_Alt2Voltage			
A50.J1:11	I_NeutralSe	Neutral Signal Sensor	3.2	A1:41
A50.J1:12	I_RetdrSig	Retarder Signal	12.1	
A50.J1:14	I_ZFNeutralSig		15.2	RZF1:30
A51.J1:10	I_BrkLtSeRrSig	Brake Lights Sensor	12.1	
A51.J1:12	I_RHFlshSwRrSig	RH FlasherSwitch Rear Signal	26.2	
A51.J1:9	I_LHFlshSwRrSig	LH FlasherSwitch Rear Signal	26.2	
A52.J1:10	I_EngFanSpd2	Engine Fan Signal Speed 2	13.1	A73.J2:9
A52.J1:11	I_EngCmptLtSw	Engine Compartment Light Switch	25.1	Sw84.B:1
A52.J1:12	I_EngDoorSe	Engine Door Sensor	25.1	
A52.J1:13	I_AcPresHiSse	Ac Pressure High Side Sensor	18.2	Se23:C
A52.J1:14	I_AcPresLoSse	Ac Pressure Low Side Sensor	18.2	Se24:C
A52.J1:24	I_BatMonMod52		6.1	A52.J1:25
A52.J1:9	I_EngFanSpd1	Engine Fan Signal Speed 1	13.1	A73.J2:10
A53.J1:10	I_RrStrtEnSw	Rear Start Enable Switch	3.2	
A53.J1:11	I_EngStaRrSw	Engine Start Rear Switch	3.2	Sw59:2
A53.J1:12	I_WCLLoDorSe	Wheel Chair Lift Lower Door Sensor	36.1	Sw52.B:1
A53.J1:24	I_BatMonMod53		6.1	A53.J1:26
A53.J1:9	I_FrStrtEnSw	Front Start Enable Switch	3.2	Sw58:3
A54.J1:11	I_AcDorOpSe	Condensor Door Open Switch	25.1	Sw7.A:1



# MULTIPLEX INPUT LIST

O\_xx... = Physical Output Pin ; I\_xx... = Physical Input Pin ; D\_xx... = CAN Network Signal from the HVAC control Head ; B\_xx.. = Multiplex system global Network Variable

Module.Pin#	Signal name	Description	Page	Connected devices
A36.JB:1	I_LwBuoySw	Low Buoy Signal From Pressure Switch	32,1	Sw43:A
A36.JB:10	I_EntDorClInSw	Entrance Door Close Inside Switch	29,1	Sw32:3
A36.JB:11	I_InputTest		9,1	Sw13:3
A36.JB:13	I_BrkLtSeFrSig	Brake Lights Sensor		
A36.JB:14	I_EngFanSw	Radiator Fan Switch	13,1	Sw22:3
A36.JB:15	I_EntDorOpSw	Entrance Door Open Switch		
A36.JB:17	I_EntDorClOutSw	Entrance Door Close Outside Switch	29,1	Sw34:1
A36.JB:2	I_IgnKeySw	Ignition Key switch		
A36.JB:21	I_RrCutOutSw	Rear Junction Box CutOut Switch	3,2	
A36.JB:22	I_FrEngStaSw	Front Engine Start Switch	3,2	
A36.JB:23	I_FireExt1stAl		38,1	
A36.JB:4	I_HazardSw	Hazard Switch	26,1	Sw4:3
A36.JB:5	I_FireSensorA36	Fire Sensor On A36	9,1	
A36.JB:6	I_AccKeySw	Accessories Key switch		
A36.JB:9	I_ParkBrSe	Paking Brake Sensor		
A41.J1:10	I_ReadLtsSw	Passenger Reading lights Switch	22,1	Sw26:3
A41.J1:17	I_UpperDefFanSw	Upper Defrost Dash Switch	18,1	Sw21:3
A41.J1:18	I_KneePressSe	Kneeling Pressure Sensor	32,1	Se26:B
A41.J1:19	I_KneeProxSe	Kneeling Proximity Sensor	32,1	Se27:1
A41.J1:20	I_PRackFanSw		18,2	Sw27:3
A41.J1:3	I_InDirLtsSw	Passenger Indirect lightning Switch	23,1	
A41.J1:4	I_DirLtsSw	Passenger Direct Light Switch	24,1	Sw25:6
A41.J1:6	I_KneeUpSw	Kneeling Up Switch	32,1	Sw10:3
A41.J1:7	I_KneeDwSw	Kneeling Down Switch	32,1	Sw10:1
A42.J1:1	I_TrailerPrkBkSe		12,1	
A42.J1:18	I_EngBrOnSe	Engine Brake ACTIVE Sensor		
A42.J1:19	I_UpWshSw	Upper Washer Wiper Switch	34,1	Sw6:3
A42.J1:2	I_TrailerPrkBkSw		12,1	Sw40:A
A42.J1:20	I_UpWipIntSw	Upper Wiper Intermitant Switch	34,1	
A42.J1:21	I_UpWipSw	Upper Wiper Switch	34,1	Sw5:6
A42.J1:4	I_LwWipIntSw	Lower Wiper Intermitant Switch	34,1	Sw1.C258:7
A42.J1:5	I_EtherSw	Ether Switch	13,1	Sw23:3
A42.J1:6	I_WclSw	Wheel Chair Lift Dash Switch	36,1	Sw20:3
A42.J1:7	I_PrkBrkRelSw	Park Brake Release Switch	32,1	Sw28:3, Sw11A:3
A42.J1:9	I_StopEngSe	Stop Engine Sensor		
A43.J1:10	I_FogLightSw	Fog Lights Switch	26,3	Sw3:3
A43.J1:18	I_DrvLtSw	Driver Light Switch	19,1	Sw24:3
A43.J1:20	I_BlinkSw	Courtesy Blink Switch		
A43.J1:21	I_CorneringLtSw	Cornering Light Switch	26,3	
A43.J1:3	I_HiBeamCallSw	Hi/Low Beam Switch	26,1	Sw1.C259:4
A43.J1:4	I_HdLtPos1Sw	Head Light Switch Position Markers	26,1	
A43.J1:5	I_BlinkSwRetro	Courtesy Blink Switch	26,1	Sw1.C258:5
A43.J1:6	I_TaaPitManSW	Taa Automatic Unload PitMan Sw	32,1	

# MULTIPLEX INPUT LIST

O\_xx... = Physical Output Pin ; I\_xx... = Physical Input Pin ; D\_xx... = CAN Network Signal from the HVAC control Head ; B\_xx.. = Multiplex system global Network Variable

Module.Pin#	Signal name	Description	Page	Connected devices
A43.J1:7	I_DockingLtSw	Docking Lights Switch	9,1	
A43.J1:8	I_HdLtHiLowBmSw	Head Lights High and Low Beam Switch	26,1	Sw1.C258:8
A44.J1:10	I_FireExt2ndAlm		38,1	
A44.J1:9	I_LwWshSw	Lower Wiper Washer Switch	34,1	Sw1.C258:6
A45.J1:10	I_HornSw	Horn Switch	9,1	
A45.J1:11	I_HeadLmpWshSw		34,1	
A45.J1:12	I_HdLtPos2SwLH	Head Light Switch Beam Position 2 LH		
A45.J1:9	I_LHFlshSw	Left Hand Flasher Switch	26,1	
A46.J1:10	I_LugDorLkSw	Luggage Door Lock Switch	33,1	Sw18:3
A46.J1:11	I_LugDorULkSw	Luggage Door Unlock Switch	33,1	Sw18:1
A46.J1:13	I_DrvTempSe	Driver Temperature sensor	18,1	Se21:2
A46.J1:24	I_BatMonMod46		6,1	A46.J1:26
A47.J1:10	I_EntDorClSe	Entrance Door Close Sensor	29,1	Se17:1
A47.J1:11	I_EntDorULkSe	Entrance Door UnLock Sensor	29,1	Se16:B
A47.J1:12	I_EntDorOpSw2		29,1	D7:B
A47.J1:24	I_BatMonMod47		6,1	A47.J1:27
A48.J1:10	I_HdLtPos2SwRH	Head Light Switch Beam Position 2 RH	26,1	
A48.J1:11	I_EntDorOpSe	Entrance Door Open Sensor	29,1	Se15:1
A48.J1:12	I_RHFlshSw	Right Hand Flasher Switch	26,1	
A49.J1:1	I_WCLDoorLtch	WCL Sliding door firts latch detection door open	36,1	Sw94.A:1
A49.J1:2	I_LavFlshSw	Lavatory Flushing Switch		
A49.J1:5	I_LavDorLkSe	Lavatory Door Lock Sensor	11,1	Skin7
A49.J1:6	I_LavEmrgSw	Lavatory Emergency Switch	11,1	Sw55.A:1
A49.J1:9	I_Alt2Voltage			
A50.J1:11	I_NeutralSe	Neutral Signal Sensor	3,2	A1:41
A50.J1:12	I_RetdrSig	Retarder Signal	12,1	
A50.J1:14	I_ZFNeutralSig		15,2	RZF1:30
A51.J1:10	I_BrkLtSeRrSig	Brake Lights Sensor	12,1	
A51.J1:12	I_RHFlshSwRrSig	RH FlasherSwitch Rear Signal	26,2	
A51.J1:9	I_LHFlshSwRrSig	LH FlasherSwitch Rear Signal	26,2	
A52.J1:10	I_EngFanSpd2	Engine Fan Signal Speed 2	13,1	A73.J2:9
A52.J1:11	I_EngCmptLtSw	Engine Compartment Light Switch	25,1	Sw84.B:1
A52.J1:12	I_EngDoorSe	Engine Door Sensor	25,1	
A52.J1:13	I_AcPresHiSse	Ac Pressure High Side Sensor	18,2	Se23:C
A52.J1:14	I_AcPresLoSse	Ac Pressure Low Side Sensor	18,2	Se24:C
A52.J1:24	I_BatMonMod52		6,1	A52.J1:25
A52.J1:9	I_EngFanSpd1	Engine Fan Signal Speed 1	13,1	A73.J2:10
A53.J1:10	I_RrStrtEnSw	Rear Start Enable Switch	3,2	
A53.J1:11	I_EngStaRrSw	Engine Start Rear Switch	3,2	Sw59:2
A53.J1:12	I_WCLLoDorSe	Wheel Chair Lift Lower Door Sensor	36,1	Sw52.B:1
A53.J1:24	I_BatMonMod53		6,1	A53.J1:26
A53.J1:9	I_FrStrtEnSw	Front Start Enable Switch	3,2	Sw58:3
A54.J1:11	I_AcDorOpSe	Condensor Door Open Switch	25,1	Sw7.A:1



# MULTIPLEX ERROR MESSAGES LIST

FMI 3 = Shorted High ; FMI 4 = Shorted Low ; FMI 5 = Open Circuit ; FMI 6 = Current above Normal

Cluster message	SID/PSID	FMI	Module.Pin#	Page	Cluster message	SID/PSID	FMI	Module.Pin#	Page
A/C Clutch SO9	PSID #4	3, 4, 5, 6	A52.J1:20		Ent close Sens SE17	PSID #63	3, 4	A47.J1:10	29.1
A/C Pres HiSd SE23	PSID #28	3, 4	A52.J1:13	18.2	Ent Close Sol SO6	PSID #65	3, 4, 5, 6	A47.J1:6	29.1
A/C Pres LoSd SE24	PSID #29	3, 4	A52.J1:14	18.2	Ent Door Close SW32	PSID #64	3, 4	A36.JB:10	29.1
Backlit to CtrlHead	SID #32	3, 4	A36.JA:11	28.1	Ent Full Open SE15	PSID #66	3, 4	A48.J1:11	29.1
Backup Light & Alm	PSID #167	3, 4, 5, 6	A50.J1:3	26.3	Ent open out SW34	PSID #71	3, 4	A36.JB:15	
Blinker SW1	PSID #139	3, 4	A43.J1:20		Ent Open Sol SO5	PSID #67	3, 4, 5, 6	A47.J1:7	29.1
Brk Lts Sens SE19	PSID #119	3, 4	A36.JB:13		Ent Unlk Sens SE16	PSID #69	3, 4	A47.J1:11	29.1
Ceiling Door Lt L17	PSID #108	3, 4, 5, 6	A44.J1:5	29.1	Evap Motor Rly R12	PSID #77	3, 4, 5, 6	A54.J1:7	18.2
Center Flash LH L70	PSID #124	3, 4, 6	A50.J1:5	26.2	Evap Spd Ctrl MO9	PSID #78	4, 6	A53.J1:21	18.2
Center Flash RH L68	PSID #125	3, 4, 6	A50.J1:7	26.2	Fire Sensor	PSID #79	3, 4	A36.JB:5	9.1
Center Mkr L67-L70	PSID #27	3, 4, 6	A50.J1:8	26.2	Flash RH SW1	PSID #133	3, 4	A48.J1:12	26.1
Cond Rly spd1 R10	PSID #41	3, 4, 5, 6	A54.J1:5	18.2	Flasher LH Sw1	PSID #130	3, 4	A45.J1:9	26.1
Cond Rly spd2 R9	PSID #42	3, 4, 5, 6	A53.J1:8	18.2	Flsh Audibl Rly R16	PSID #37	3, 4, 5, 6	A45.J1:8	26.1
Condensor Door Sw7	PSID #7	3, 4	A54.J1:11	25.1	Fog's Lights LH L95	PSID #134	3, 4, 6	A45.J1:4	26.3
Cornering Dash Sw30	PSID #200	3, 4	A43.J1:21	26.3	Fog's lights RH L96	PSID #136	3, 4, 6	A48.J1:8	26.3
Cyclope Lt L81	PSID #116	3, 4, 6	A51.J1:7	26.2	Foot trap Mo4	PSID #14	3, 4, 6	A45.J1:2	18.1
Direct Lts Relay R6	PSID #102	3, 4, 5, 6	A49.J1:11	24.1	FR Clearance lights	PSID #137	3, 4, 6	A44.J1:8	26.1
Direct Lts Sw25	PSID #103	3, 4	A41.J1:4	24.1	Fr Flsh-Mkr LH L62	PSID #128	3, 4, 6	A45.J1:3	26.1
Docking Dash Sw31	PSID #3	3, 4	A43.J1:7	9.1	Fr Side Flsh RH L64	PSID #10	3, 4, 6	A48.J1:20	26.1
Driver Def Fan L198	PSID #180	3, 4, 5, 6	A47.J1:1	18.1	Fr Start Enable SW58	PSID #56	3, 4	A53.J1:9	3.2
Driver heat Sol SO8	PSID #16	3, 4, 5, 6	A46.J1:6	18.1	Fr Start SW83	PSID #58	3, 4	A36.JB:22	3.2
Driver Light L16	PSID #104	3, 4, 5, 6	A44.J1:3	19.1	Front Flash RH L61	PSID #126	3, 4, 6	A48.J1:6	26.1
Driver Light SW24	PSID #105	3, 4	A43.J1:18	19.1	Front Mkr Lts LH L62	PSID #148	3, 4, 6	A45.J1:21	26.1
Driver Rfg Sol SO7	PSID #13	3, 4, 5, 6	A46.J1:5	18.1	Front Mkr Lts RH L61	PSID #149	3, 4, 6	A48.J1:7	26.1
Driver Sensor SE21	PSID #12	3, 4, 5	A46.J1:13	18.1	Hazard Switch Sw4	PSID #138	3, 4	A36.JB:4	26.1
Drv air Trap MO3	PSID #5	3, 4, 6	A44.J1:2	18.1	Hd Light Call SW1	PSID #140	3, 4	A43.J1:3	26.1
Drv Rec Cylind L203	PSID #30	3, 4, 5, 6	A47.J1:2	18.1	HdLamp Wsh Pmp Mo54	SID #48	3, 4, 6	A46.J1:21	34.1
Elec Horn L185 L186	PSID #83	3, 4, 5, 6	A45.J1:20	9.1	Head Lights Pos1 SW2	PSID #143	3, 4	A43.J1:4	26.1
Elec. Horn SW61 SW62	PSID #82	3, 4	A45.J1:10	9.1	Head Lt Sw Pos2 Sw2	PSID #11	3, 4	A45.J1:12	
Emergency Relay R21	PSID #44	3, 4, 5, 6	A36.JA:24	3.2	Hi Low Beam Sw1	PSID #6	3, 4	A43.J1:8	26.1
Emgy & Aisle Lts R15	PSID #101	3, 4, 5, 6	A49.J1:13	20.1	High Beam LH L60	PSID #141	3, 4, 5, 6	A45.J1:6	26.1
Eng Brk Active Sig	PSID #45	3, 4	A42.J1:18		High Beam RH L59	PSID #145	3, 4, 5, 6	A48.J1:3	26.1
Eng Cmpt Bulb L173	PSID #106	3, 4, 5, 6	A52.J1:5	25.1	Indir Lts Rly R13	PSID #110	3, 4, 5, 6	A49.J1:12	23.1
Eng Cmpt Sw	PSID #107	3, 4	A52.J1:11	25.1	Indirect Lts Sw25	PSID #111	3, 4	A41.J1:3	23.1
Eng Ether SW23	PSID #50	3, 4	A42.J1:5	13.1	Knee down Sol SO16	PSID #89	3, 4, 6	A41.J1:14	32.1
Eng Fan Dash SW22	PSID #55	3, 4	A36.JB:14	13.1	Knee Down Sw10	PSID #93	3, 4	A41.J1:7	32.1
Eng Fan Spd1 Req	PSID #51	3, 4	A52.J1:9	13.1	Knee Press Sens SE26	PSID #90	3, 4	A41.J1:18	32.1
Eng Fan Spd2 Req	PSID #52	3, 4	A52.J1:10	13.1	Knee Proxi Pwr SE27	PSID #92	3, 4, 6	A41.J1:12	32.1
Eng. Ether Sol SO1	PSID #49	3, 4, 6	A52.J1:6	13.1	Knee Proxi Sens SE27	PSID #91	3, 4	A41.J1:19	32.1
Engine Fan Spd1 MO2	PSID #53	3, 4, 5, 6	A52.J1:1	13.1	Knee Up Sol SO15	PSID #95	3, 4, 6	A41.J1:15	32.1
Engine Fan Spd2 MO2	PSID #54	3, 4, 5, 6	A52.J1:2	13.1	Knee Up SW10	PSID #94	3, 4	A41.J1:6	32.1
EngRun Sig Hvac A15	SID #31	3, 4, 5, 6	A36.JA:13	3.2	Kneeling Alm L188	PSID #85	3, 4, 5, 6	A42.J1:14	32.1
Ent Close Out SW34	PSID #70	3, 4	A36.JB:17	29.1	Lav Door Lock SE28	PSID #96		3A49.J1:5	11.1

# MULTIPLEX ERROR MESSAGES LIST

FMI 3 = Shorted High ; FMI 4 = Shorted Low ; FMI 5 = Open Circuit ; FMI 6 = Current above Normal

Cluster message	SID/PSID	FMI	Module.Pin#	Page	Cluster message	SID/PSID	FMI	Module.Pin#	Page
Lav Emgy SW55	PSID #97	3, 4	A49.J1:6	11.1	Starter Relay SO2	PSID #60	4, 6	A53.J1:6	3.2
Lav Flush Pump Mo13	PSID #9	4, 6	A52.J1:7	11.1	Starter Relay SO2	PSID #60	3, 6	A53.J1:1	3.2
Lav Flush Sw56	PSID #8	3, 4, 5, 6	A49.J1:2		Step Lts L18 L19 L20	PSID #117	3, 4, 5, 6	A47.J1:5	29.1
Lav Fr Occ Lt L143	PSID #100	3, 4, 5, 6	A41.J1:13	11.1	Stop Eng Signal In	PSID #62	3	A42.J1:9	
Lavatory Fan MO14	PSID #98	4, 6	A52.J1:4	11.1	Tail Lights	PSID #152	3, 4, 6	A51.J1:8	26.2
LH Corner Lts L97	PSID #120	3, 4, 5, 6	A45.J1:5	26.3	Trans Inh Sig A1	SID #25	3, 4, 5, 6	A50.J1:2	15.1
LH Docking Light L93	PSID #122	3, 4, 5, 6	A51.J1:4	26.3	Trans Neutral Sens	PSID #168	3, 4	A50.J1:11	3.2
Low Beam LH L60	PSID #142	3, 4, 6	A45.J1:7	26.1	Under Floor lights	PSID #112	4, 6	A46.J1:20	25.1
Low Beam RH L59	PSID #146	3, 4, 6	A48.J1:4	26.1	Unloader LH L200	PSID #31	3, 4, 5, 6	A52.J1:8	
Low Wip Spd1 Mo22	PSID #184	3, 4, 5, 6	A47.J1:3	34.1	Unloader RH L199	PSID #32	3, 4, 5, 6	A52.J1:21	18.2
Lower Stop Lamps	PSID #153	3, 4, 6	A50.J1:6	12.1	Up Def Wtr Pmp MO6	PSID #173	4, 6	A47.J1:20	18.1
Lower Washer pmp	PSID #181	4, 6	A46.J1:3	34.1	Upper Brk Lamp	PSID #43	3, 4, 6	A51.J1:6	26.2
Lower Washer SW1	PSID #188	3, 4	A44.J1:9	34.1	Upper Def Fan MO5	PSID #33	4, 6	A46.J1:7	18.1
Lower Wip Int SW1	PSID #183	3, 4	A42.J1:4	34.1	Upper Wash Pmp MO18	PSID #189	4, 6	A46.J1:4	34.1
Lugg Lock Sol SO19	PSID #155	3, 4, 6	A42.J1:13	33.1	Upper Wash SW6	PSID #190	3, 4	A42.J1:19	34.1
Lugg Lock SW18	PSID #156	3, 4	A46.J1:10	33.1	Upper Wiper Int SW5	PSID #191	3, 4	A42.J1:20	34.1
Lugg Unlk SW18	PSID #159	3, 4	A46.J1:11	33.1	Upper Wiper Mot MO21	PSID #193	3, 4, 5, 6	A46.J1:2	34.1
Lugg unlock Sol SO18	PSID #158	3, 4, 6	A42.J1:16	33.1	Upper Wiper SW5	PSID #192	3, 4	A42.J1:21	34.1
Non-Smoking Lt L2	PSID #160	3, 4, 6	A42.J1:11	11.1	WakeUp Relay R17-R19	SID #30	4, 5, 6	A36.JA:15	3.3
OutDoor Sens SE20	PSID #161	3, 4, 5	A54.J1:14	18.1	Watch Step Lts L1	PSID #118	3, 4, 5, 6	A43.J1:13	9.1
P Rack Fan LH MO10	PSID #19	4, 6	A54.J1:1	18.2	WCL Lower Door Sens	PSID #175	3, 4	A53.J1:12	36.1
P Rack Fan RH MO11	PSID #20	4, 6	A54.J1:2	18.2	WCL Pump Rly L207	PSID #176	3, 4, 6	A53.J1:5	36.1
P Rack Fan Sw SW27	PSID #21	3, 4	A41.J1:20	18.2	WCLDor Sig to USonic	SID #24	3, 4, 6	A53.J1:7	36.1
P Rack Rfg sol SO10	PSID #22	3, 4, 6	A53.J1:20	18.2	WCLSlid Door Lt L206	SID #33	3, 4, 5, 6	A50.J1:1	36.1
Park brake Sens Se18	PSID #162	3, 4	A36.JB:9		ZF Trans Inh Sig A22	SID #26	3, 4, 5, 6	A53.J1:2	15.2
Park brake Sol SO17	PSID #163	4, 6	A42.J1:30	32.1					
Pass Heat Sol SO13	PSID #24	3, 4, 6	A54.J1:8	18.2					
Pass On_Off Sig R26	SID #29	3, 4, 5, 6	A54.J1:21	18.2					
Pass Rfg Sol SO11	PSID #23	3, 4, 5, 6	A54.J1:3	18.2					
Pass. Wtr pump MO12	PSID #17	3, 4, 6	A54.J1:4	18.2					
Read Lts Rly R14	PSID #113	3, 4, 5, 6	A49.J1:15	22.1					
Read Lts SW26	PSID #114	3, 4	A41.J1:10	22.1					
Rear CutOut Sw82	PSID #18	3, 4	A36.JB:21	3.2					
Rear Flsh LH L71 L75	PSID #131	3, 4, 6	A51.J1:21	26.2					
Rear Flsh RH L73 L76	PSID #132	3, 4, 6	A51.J1:3						
Rear High Buoy Sol	PSID #197	4, 6	A41.J1:30	32.1					
Retarder signal	PSID #164	3, 4	A50.J1:12	12.1					
RH Corner Light L98	PSID #121	3, 4, 5, 6	A48.J1:5	26.3					
RH Docking Light L94	PSID #123	3, 4, 5, 6	A51.J1:5	26.3					
Rr Clearance lights	PSID #151	3, 4, 6	A50.J1:4	26.2					
Rr Start enable SW58	PSID #57	3, 4	A53.J1:10	3.2					
Rr Start SW59	PSID #59	3, 4	A53.J1:11	3.2					
Ser Brake Trans A1	SID #49	3, 4, 6	A51.J1:1	15.1					



# MULTIPLEX ERROR MESSAGES LIST

FMI 3 = Shorted High ; FMI 4 = Shorted Low ; FMI 5 = Open Circuit ; FMI 6 = Current above Normal

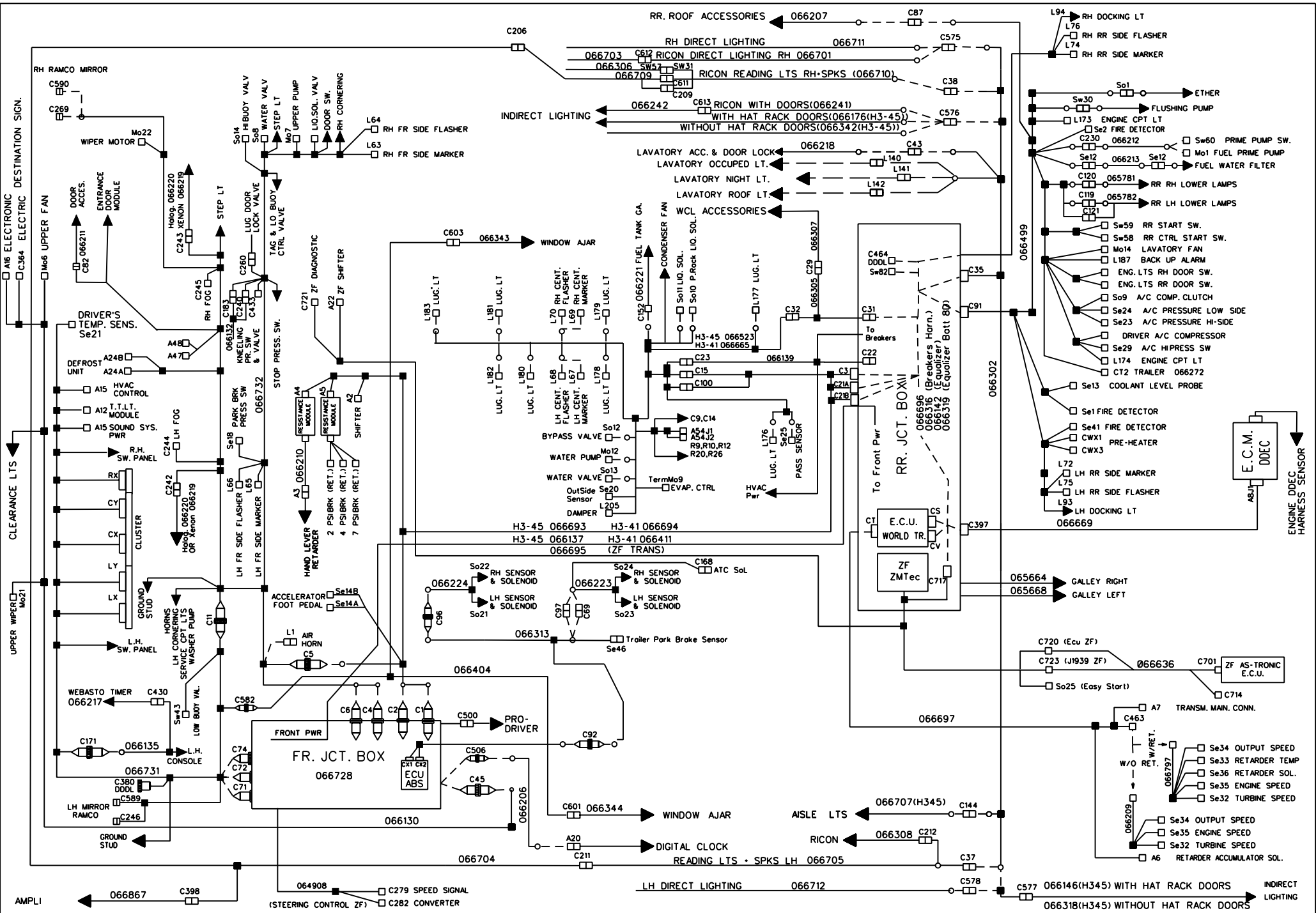
Cluster message	SID/PSID	FMI	Module.Pin#	Page	Cluster message	SID/PSID	FMI	Module.Pin#	Page
A/C Clutch SO9	PSID #4	3, 4, 5, 6	A52.J1:20		Ent close Sens SE17	PSID #63	3, 4	A47.J1:10	29,1
A/C Pres HiSd SE23	PSID #28	3, 4	A52.J1:13	18,2	Ent Close Sol SO6	PSID #65	3, 4, 5, 6	A47.J1:6	29,1
A/C Pres LoSd SE24	PSID #29	3, 4	A52.J1:14	18,2	Ent Door Close SW32	PSID #64	3, 4	A36.JB:10	29,1
Backlit to CtrlHead	SID #32	3, 4	A36.JA:11	28,1	Ent Full Open SE15	PSID #66	3, 4	A48.J1:11	29,1
Backup Light & Alm	PSID #167	3, 4, 5, 6	A50.J1:3	26,3	Ent open out SW34	PSID #71	3, 4	A36.JB:15	
Blinker SW1	PSID #139	3, 4	A43.J1:20		Ent Open Sol SO5	PSID #67	3, 4, 5, 6	A47.J1:7	29,1
Brk Lts Sens SE19	PSID #119	3, 4	A36.JB:13		Ent Unlk Sens SE16	PSID #69	3, 4	A47.J1:11	29,1
Ceiling Door Lt L17	PSID #108	3, 4, 5, 6	A44.J1:5	29,1	Evap Motor Rly R12	PSID #77	3, 4, 5, 6	A54.J1:7	18,2
Center Flash LH L70	PSID #124	3, 4, 6	A50.J1:5	26,2	Evap Spd Ctrl MO9	PSID #78	4, 6	A53.J1:21	18,2
Center Flash RH L68	PSID #125	3, 4, 6	A50.J1:7	26,2	Fire Sensor	PSID #79	3, 4	A36.JB:5	9,1
Center Mkr L67-L70	PSID #27	3, 4, 6	A50.J1:8	26,2	Flash RH SW1	PSID #133	3, 4	A48.J1:12	26,1
Cond Rly spd1 R10	PSID #41	3, 4, 5, 6	A54.J1:5	18,2	Flasher LH Sw1	PSID #130	3, 4	A45.J1:9	26,1
Cond Rly spd2 R9	PSID #42	3, 4, 5, 6	A53.J1:8	18,2	Flsh Audibl Rly R16	PSID #37	3, 4, 5, 6	A45.J1:8	26,1
Condensor Door Sw7	PSID #7	3, 4	A54.J1:11	25,1	Fog's Lights LH L95	PSID #134	3, 4, 6	A45.J1:4	26,3
Cornering Dash Sw30	PSID #200	3, 4	A43.J1:21	26,3	Fog's lights RH L96	PSID #136	3, 4, 6	A48.J1:8	26,3
Cyclope Lt L81	PSID #116	3, 4, 6	A51.J1:7	26,2	Foot trap Mo4	PSID #14	3, 4, 6	A45.J1:2	18,1
Direct Lts Relay R6	PSID #102	3, 4, 5, 6	A49.J1:11	24,1	FR Clearance lights	PSID #137	3, 4, 6	A44.J1:8	26,1
Direct Lts Sw25	PSID #103	3, 4	A41.J1:4	24,1	Fr Flsh-Mkr LH L62	PSID #128	3, 4, 6	A45.J1:3	26,1
Docking Dash Sw31	PSID #3	3, 4	A43.J1:7	9,1	Fr Side Flsh RH L64	PSID #10	3, 4, 6	A48.J1:20	26,1
Driver Def Fan L198	PSID #180	3, 4, 5, 6	A47.J1:1	18,1	Fr Start Enable SW58	PSID #56	3, 4	A53.J1:9	3,2
Driver heat Sol SO8	PSID #16	3, 4, 5, 6	A46.J1:6	18,1	Fr Start SW83	PSID #58	3, 4	A36.JB:22	3,2
Driver Light L16	PSID #104	3, 4, 5, 6	A44.J1:3	19,1	Front Flash RH L61	PSID #126	3, 4, 6	A48.J1:6	26,1
Driver Light SW24	PSID #105	3, 4	A43.J1:18	19,1	Front Mkr Lts LH L62	PSID #148	3, 4, 6	A45.J1:21	26,1
Driver Rfg Sol SO7	PSID #13	3, 4, 5, 6	A46.J1:5	18,1	Front Mkr Lts RH L61	PSID #149	3, 4, 6	A48.J1:7	26,1
Driver Sensor SE21	PSID #12	3, 4, 5	A46.J1:13	18,1	Hazard Switch Sw4	PSID #138	3, 4	A36.JB:4	26,1
Drv air Trap MO3	PSID #5	3, 4, 6	A44.J1:2	18,1	Hd Light Call SW1	PSID #140	3, 4	A43.J1:3	26,1
Drv Rec Cylind L203	PSID #30	3, 4, 5, 6	A47.J1:2	18,1	HdLamp Wsh Pmp Mo54	SID #48	3, 4, 6	A46.J1:21	34,1
Elec Horn L185 L186	PSID #83	3, 4, 5, 6	A45.J1:20	9,1	Head Lights Pos1 SW2	PSID #143	3, 4	A43.J1:4	26,1
Elec. Horn SW61 SW62	PSID #82	3, 4	A45.J1:10	9,1	Head Lt Sw Pos2 Sw2	PSID #11	3, 4	A45.J1:12	
Emergency Relay R21	PSID #44	3, 4, 5, 6	A36.JA:24	3,2	Hi Low Beam Sw1	PSID #6	3, 4	A43.J1:8	26,1
Emgy & Aisle Lts R15	PSID #101	3, 4, 5, 6	A49.J1:13	20,1	High Beam LH L60	PSID #141	3, 4, 5, 6	A45.J1:6	26,1
Eng Brk Active Sig	PSID #45	3, 4	A42.J1:18		High Beam RH L59	PSID #145	3, 4, 5, 6	A48.J1:3	26,1
Eng Cmpt Bulb L173	PSID #106	3, 4, 5, 6	A52.J1:5	25,1	Indir Lts Rly R13	PSID #110	3, 4, 5, 6	A49.J1:12	23,1
Eng Cmpt Sw	PSID #107	3, 4	A52.J1:11	25,1	Indirect Lts Sw25	PSID #111	3, 4	A41.J1:3	23,1
Eng Ether SW23	PSID #50	3, 4	A42.J1:5	13,1	Knee down Sol SO16	PSID #89	3, 4, 6	A41.J1:14	32,1
Eng Fan Dash SW22	PSID #55	3, 4	A36.JB:14	13,1	Knee Down Sw10	PSID #93	3, 4	A41.J1:7	32,1
Eng Fan Spd1 Req	PSID #51	3, 4	A52.J1:9	13,1	Knee Press Sens SE26	PSID #90	3, 4	A41.J1:18	32,1
Eng Fan Spd2 Req	PSID #52	3, 4	A52.J1:10	13,1	Knee Proxi Pwr SE27	PSID #92	3, 4, 6	A41.J1:12	32,1
Eng. Ether Sol SO1	PSID #49	3, 4, 6	A52.J1:6	13,1	Knee Proxi Sens SE27	PSID #91	3, 4	A41.J1:19	32,1
Engine Fan Spd1 MO2	PSID #53	3, 4, 5, 6	A52.J1:1	13,1	Knee Up Sol SO15	PSID #95	3, 4, 6	A41.J1:15	32,1
Engine Fan Spd2 MO2	PSID #54	3, 4, 5, 6	A52.J1:2	13,1	Knee Up SW10	PSID #94	3, 4	A41.J1:6	32,1
EngRun Sig Hvac A15	SID #31	3, 4, 5, 6	A36.JA:13	3,2	Kneeling Alm L188	PSID #85	3, 4, 5, 6	A42.J1:14	32,1
Ent Close Out SW34	PSID #70	3, 4	A36.JB:17	29,1	Lav Door Lock SE28	PSID #96		3A49.J1:5	11,1

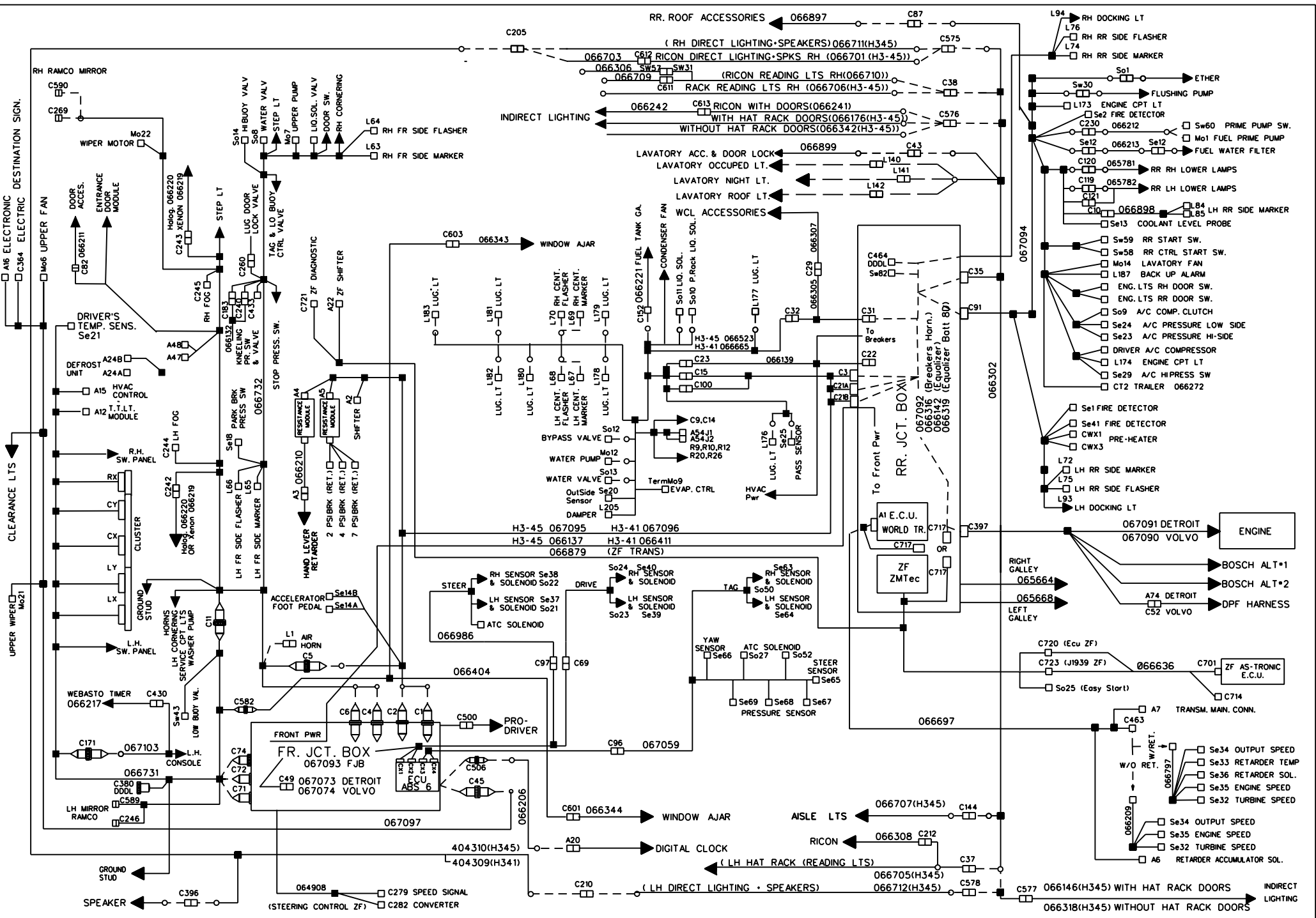
# MULTIPLEX ERROR MESSAGES LIST

FMI 3 = Shorted High ; FMI 4 = Shorted Low ; FMI 5 = Open Circuit ; FMI 6 = Current above Normal

Cluster message	SID/PSID	FMI	Module.Pin#	Page	Cluster message	SID/PSID	FMI	Module.Pin#	Page
Lav Emgy SW55	PSID #97	3, 4	A49.J1:6	11,1	Starter Relay SO2	PSID #60	4, 6	A53.J1:6	3,2
Lav Flush Pump Mo13	PSID #9	4, 6	A52.J1:7	11,1	Starter Relay SO2	PSID #60	3, 6	A53.J1:1	3,2
Lav Flush Sw56	PSID #8	3, 4, 5, 6	A49.J1:2		Step Lts L18 L19 L20	PSID #117	3, 4, 5, 6	A47.J1:5	29,1
Lav Fr Occ Lt L143	PSID #100	3, 4, 5, 6	A41.J1:13	11,1	Stop Eng Signal In	PSID #62	3	A42.J1:9	
Lavatory Fan MO14	PSID #98	4, 6	A52.J1:4	11,1	Tail Lights	PSID #152	3, 4, 6	A51.J1:8	26,2
LH Corner Lts L97	PSID #120	3, 4, 5, 6	A45.J1:5	26,3	Trans Inh Sig A1	SID #25	3, 4, 5, 6	A50.J1:2	15,1
LH Docking Light L93	PSID #122	3, 4, 5, 6	A51.J1:4	26,3	Trans Neutral Sens	PSID #168	3, 4	A50.J1:11	3,2
Low Beam LH L60	PSID #142	3, 4, 6	A45.J1:7	26,1	Under Floor lights	PSID #112	4, 6	A46.J1:20	25,1
Low Beam RH L59	PSID #146	3, 4, 6	A48.J1:4	26,1	Unloader LH L200	PSID #31	3, 4, 5, 6	A52.J1:8	
Low Wip Spd1 Mo22	PSID #184	3, 4, 5, 6	A47.J1:3	34,1	Unloader RH L199	PSID #32	3, 4, 5, 6	A52.J1:21	18,2
Lower Stop Lamps	PSID #153	3, 4, 6	A50.J1:6	12,1	Up Def Wtr Pmp MO6	PSID #173	4, 6	A47.J1:20	18,1
Lower Washer pmp	PSID #181	4, 6	A46.J1:3	34,1	Upper Brk Lamp	PSID #43	3, 4, 6	A51.J1:6	26,2
Lower Washer SW1	PSID #188	3, 4	A44.J1:9	34,1	Upper Def Fan MO5	PSID #33	4, 6	A46.J1:7	18,1
Lower Wip Int SW1	PSID #183	3, 4	A42.J1:4	34,1	Upper Wash Pmp MO18	PSID #189	4, 6	A46.J1:4	34,1
Lugg Lock Sol SO19	PSID #155	3, 4, 6	A42.J1:13	33,1	Upper Wash SW6	PSID #190	3, 4	A42.J1:19	34,1
Lugg Lock SW18	PSID #156	3, 4	A46.J1:10	33,1	Upper Wiper Int SW5	PSID #191	3, 4	A42.J1:20	34,1
Lugg Unlk SW18	PSID #159	3, 4	A46.J1:11	33,1	Upper Wiper Mot MO21	PSID #193	3, 4, 5, 6	A46.J1:2	34,1
Lugg unlock Sol SO18	PSID #158	3, 4, 6	A42.J1:16	33,1	Upper Wiper SW5	PSID #192	3, 4	A42.J1:21	34,1
Non-Smoking Lt L2	PSID #160	3, 4, 6	A42.J1:11	11,1	WakeUp Relay R17-R19	SID #30	4, 5, 6	A36.JA:15	3,3
OutDoor Sens SE20	PSID #161	3, 4, 5	A54.J1:14	18,1	Watch Step Lts L1	PSID #118	3, 4, 5, 6	A43.J1:13	9,1
P Rack Fan LH MO10	PSID #19	4, 6	A54.J1:1	18,2	WCL Lower Door Sens	PSID #175	3, 4	A53.J1:12	36,1
P Rack Fan RH MO11	PSID #20	4, 6	A54.J1:2	18,2	WCL Pump Rly L207	PSID #176	3, 4, 6	A53.J1:5	36,1
P Rack Fan Sw SW27	PSID #21	3, 4	A41.J1:20	18,2	WCLDor Sig to USonic	SID #24	3, 4, 6	A53.J1:7	36,1
P Rack Rfg sol SO10	PSID #22	3, 4, 6	A53.J1:20	18,2	WCLSlid Door Lt L206	SID #33	3, 4, 5, 6	A50.J1:1	36,1
Park brake Sens Se18	PSID #162	3, 4	A36.JB:9		ZF Trans Inh Sig A22	SID #26	3, 4, 5, 6	A53.J1:2	15,2
Park brake Sol SO17	PSID #163	4, 6	A42.J1:30	32,1					
Pass Heat Sol SO13	PSID #24	3, 4, 6	A54.J1:8	18,2					
Pass On_Off Sig R26	SID #29	3, 4, 5, 6	A54.J1:21	18,2					
Pass Rfg Sol SO11	PSID #23	3, 4, 5, 6	A54.J1:3	18,2					
Pass. Wtr pump MO12	PSID #17	3, 4, 6	A54.J1:4	18,2					
Read Lts Rly R14	PSID #113	3, 4, 5, 6	A49.J1:15	22,1					
Read Lts SW26	PSID #114	3, 4	A41.J1:10	22,1					
Rear CutOut Sw82	PSID #18	3, 4	A36.JB:21	3,2					
Rear Flsh LH L71 L75	PSID #131	3, 4, 6	A51.J1:21	26,2					
Rear Flsh RH L73 L76	PSID #132	3, 4, 6	A51.J1:3						
Rear High Buoy Sol	PSID #197	4, 6	A41.J1:30	32,1					
Retarder signal	PSID #164	3, 4	A50.J1:12	12,1					
RH Corner Light L98	PSID #121	3, 4, 5, 6	A48.J1:5	26,3					
RH Docking Light L94	PSID #123	3, 4, 5, 6	A51.J1:5	26,3					
Rr Clearance lights	PSID #151	3, 4, 6	A50.J1:4	26,2					
Rr Start enable SW58	PSID #57	3, 4	A53.J1:10	3,2					
Rr Start SW59	PSID #59	3, 4	A53.J1:11	3,2					
Ser Brake Trans A1	SID #49	3, 4, 6	A51.J1:1	15,1					

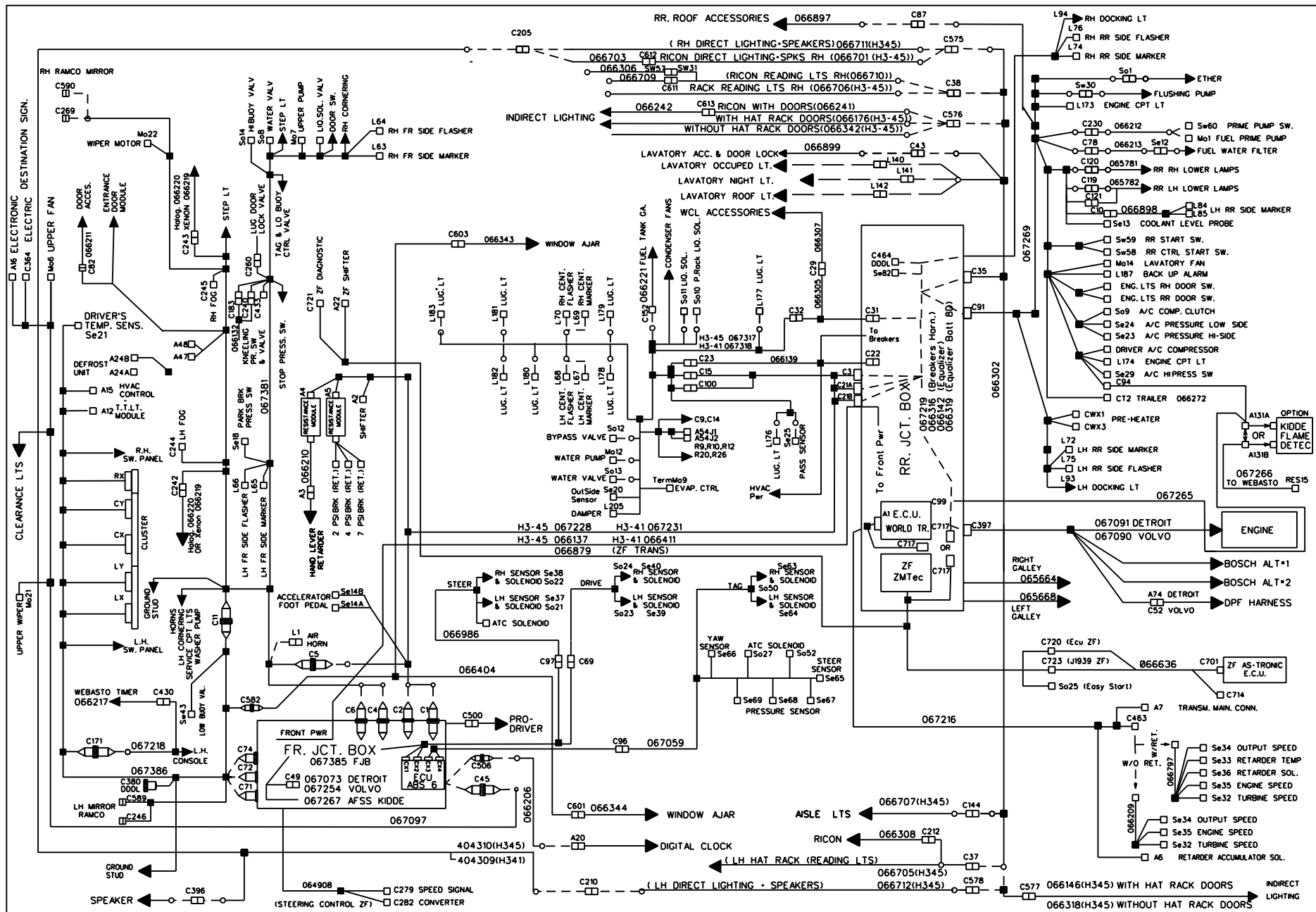












**PREVOST**

WIRING DIAGRAM

NO:

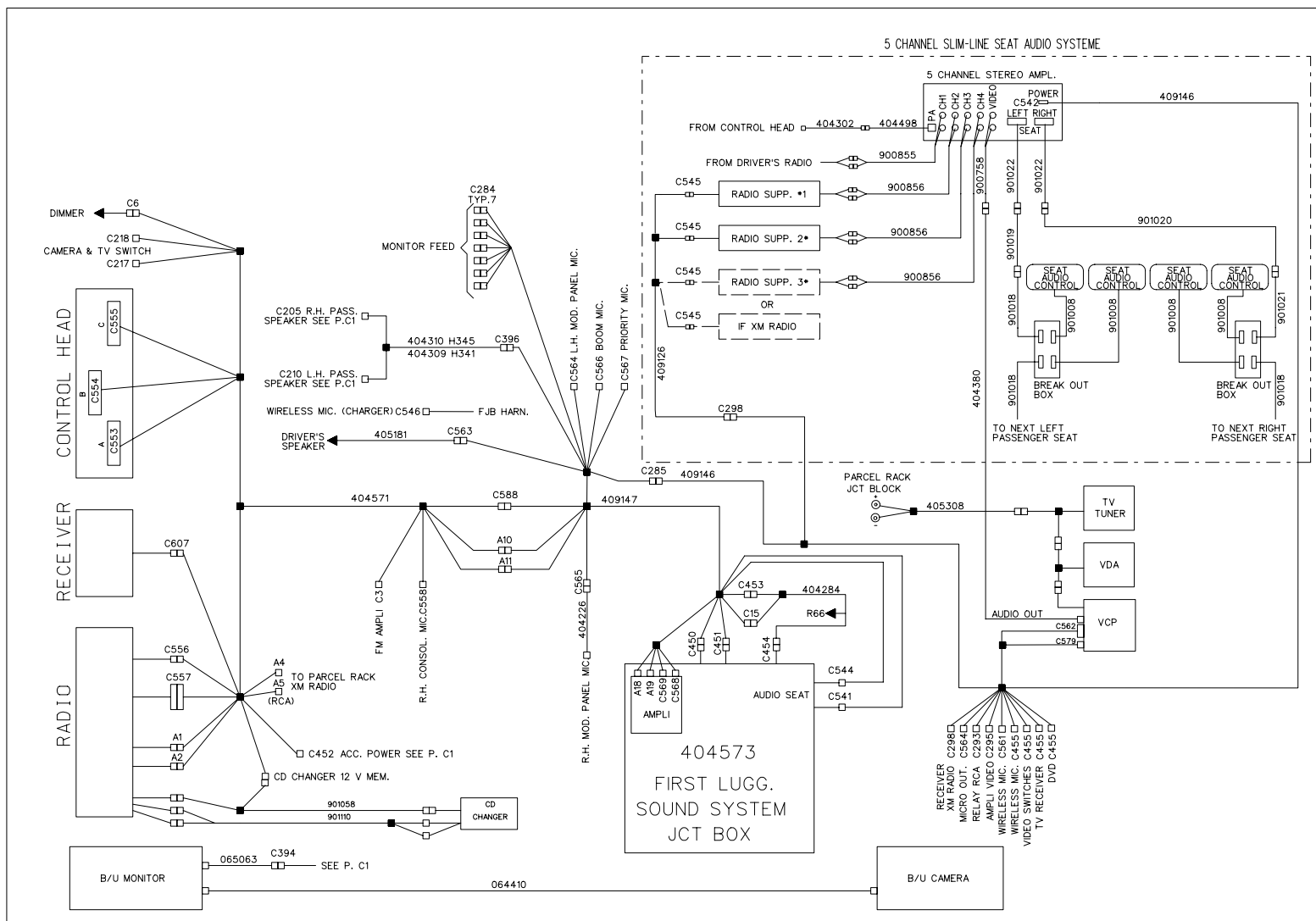
D061020

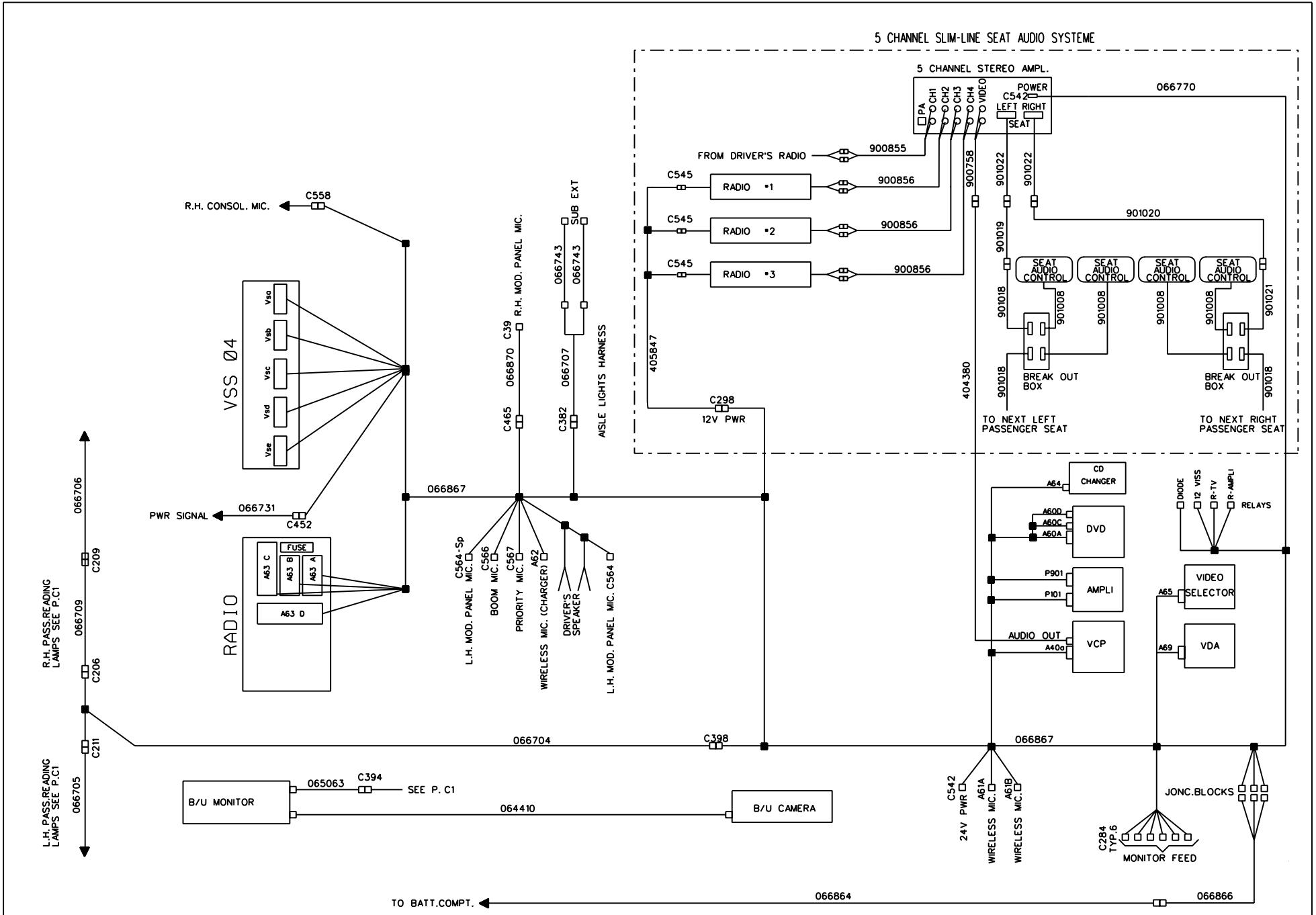
PAGE: C1

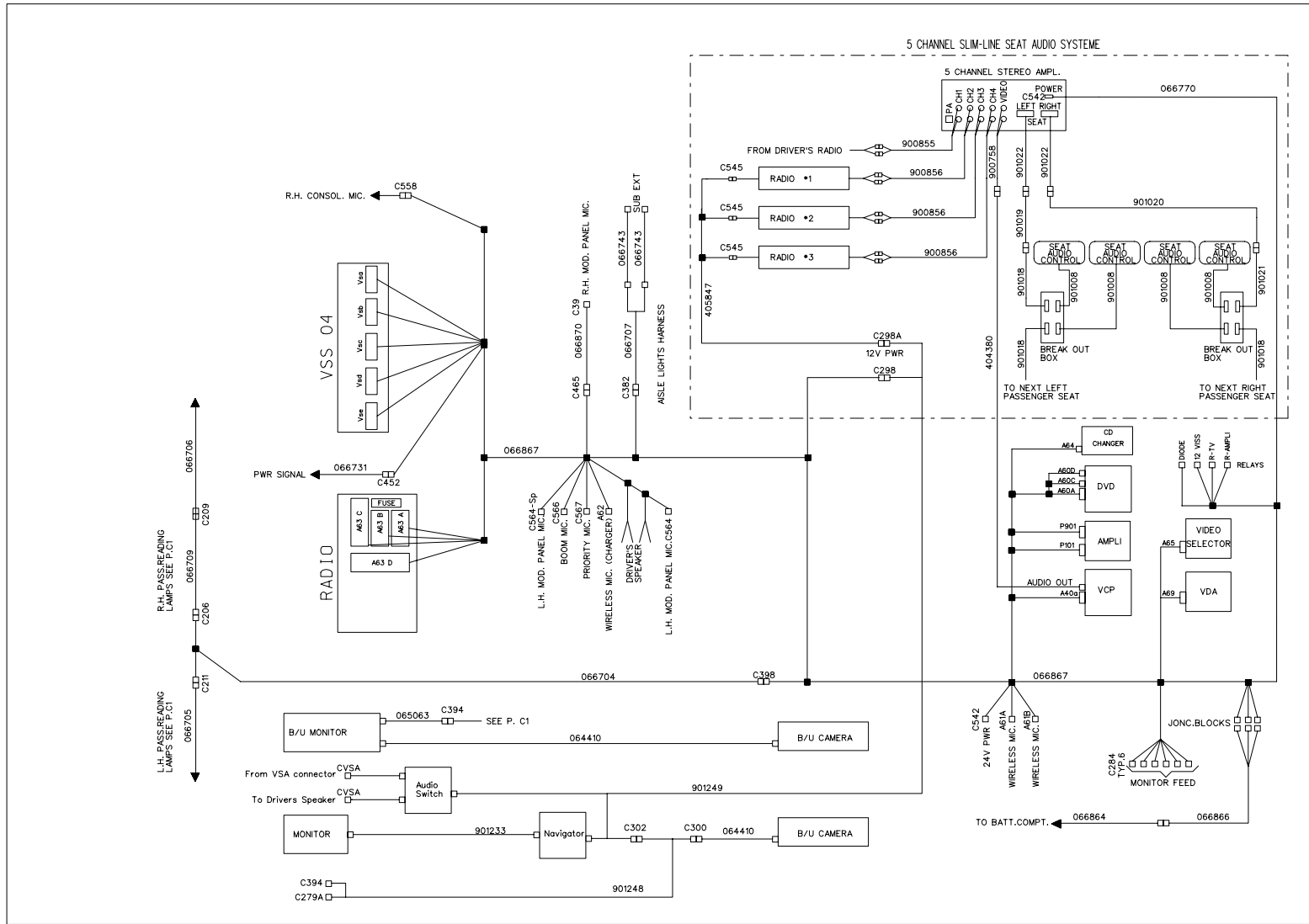
REVISION 24



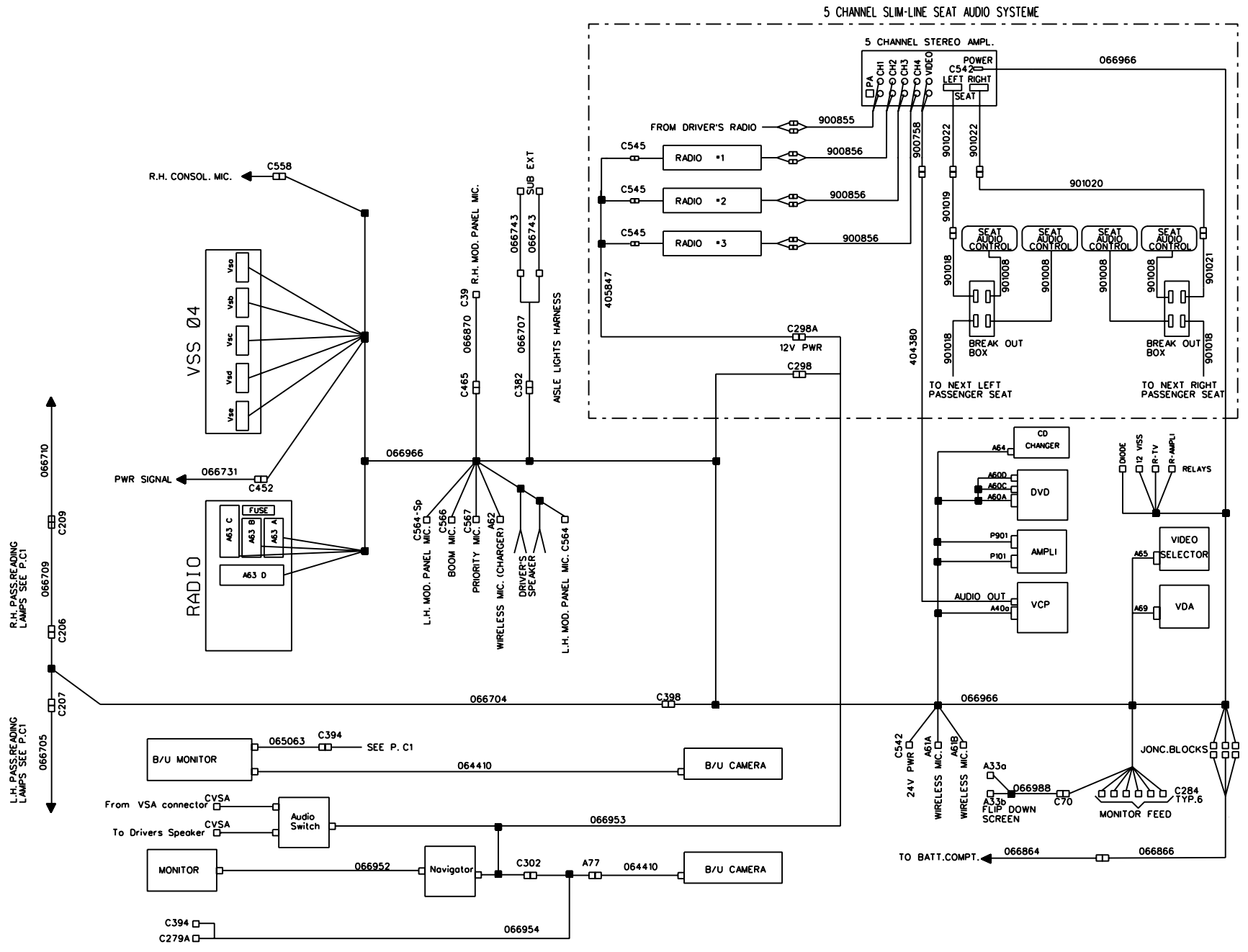


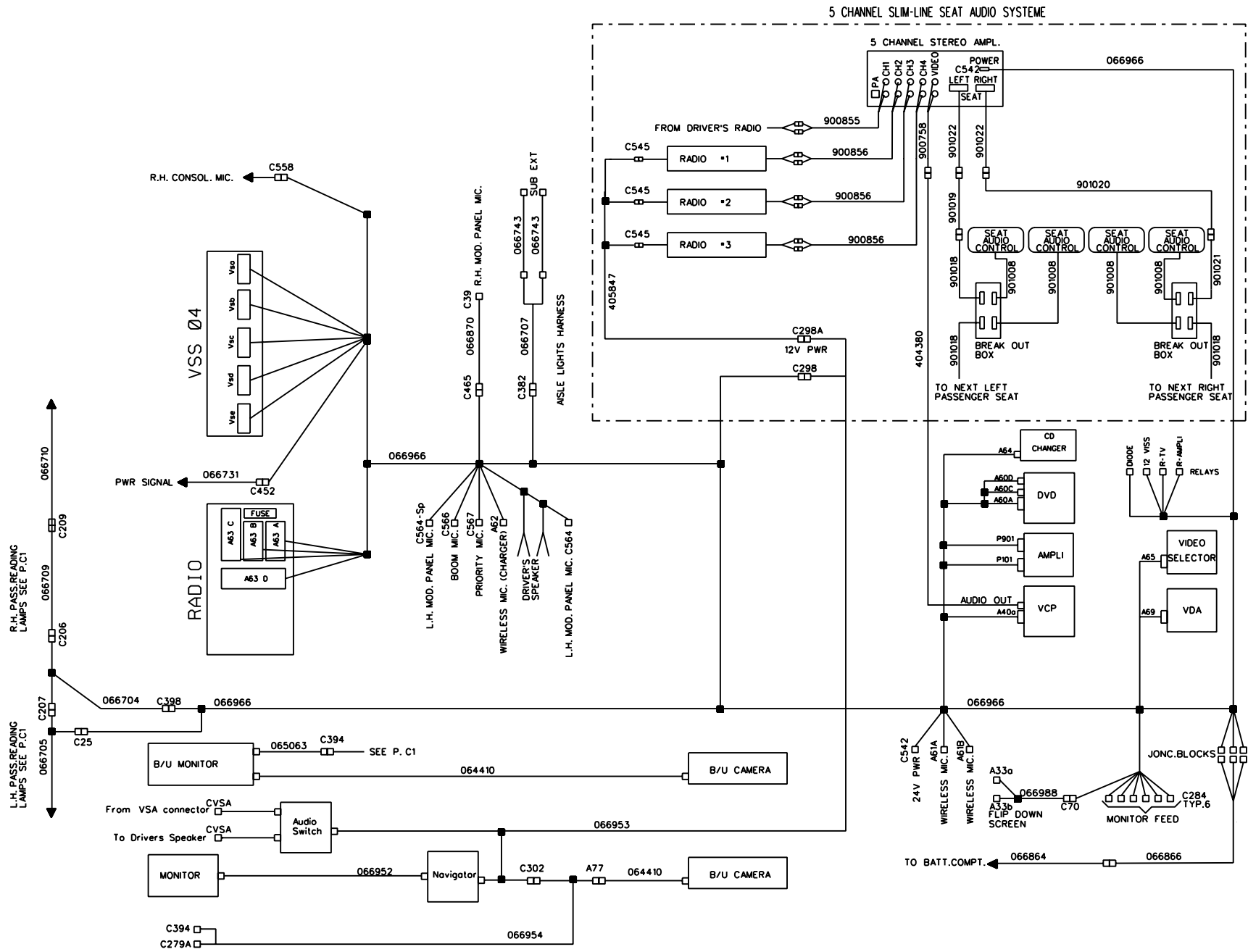






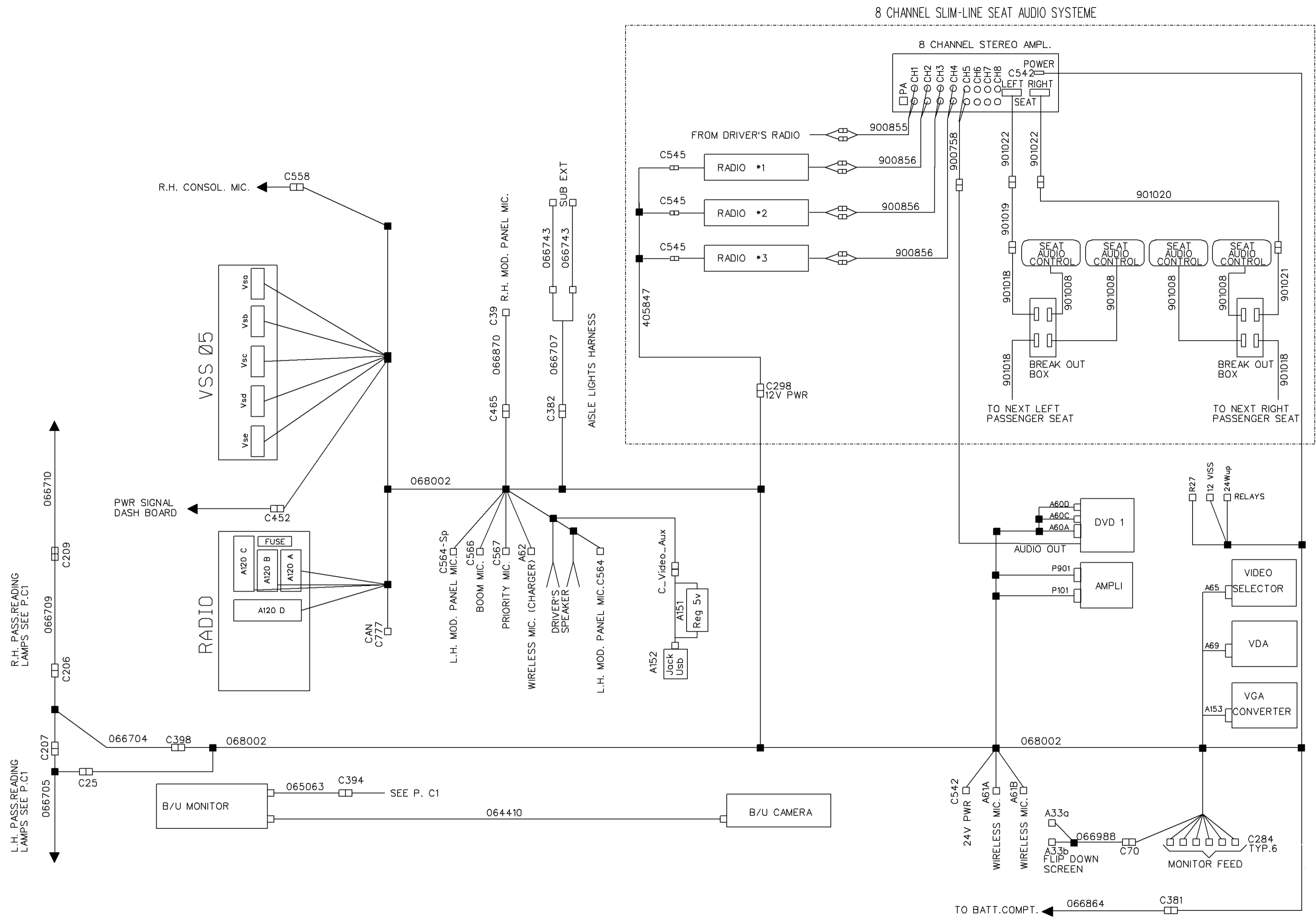




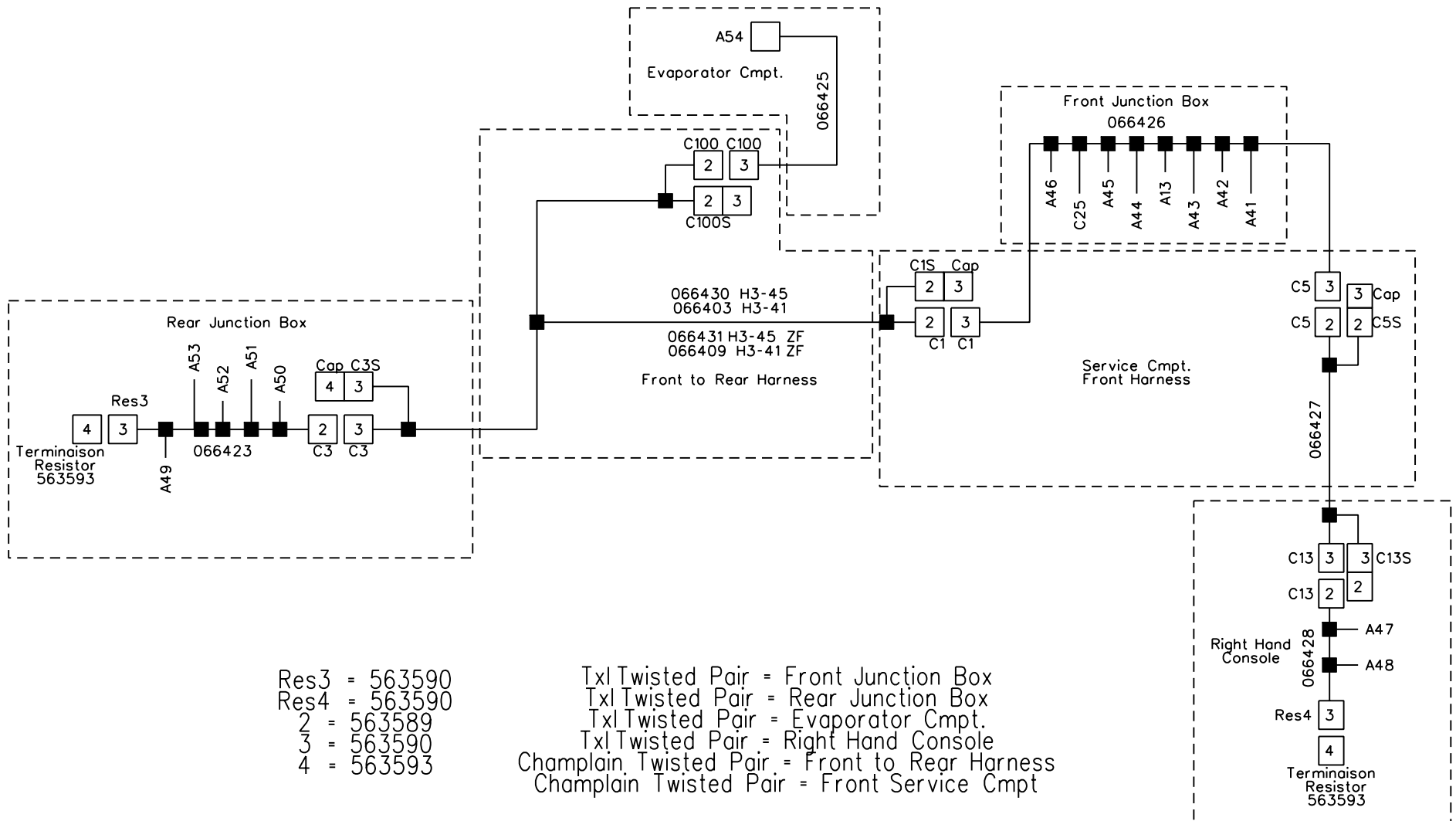








# H3 Can Configuration

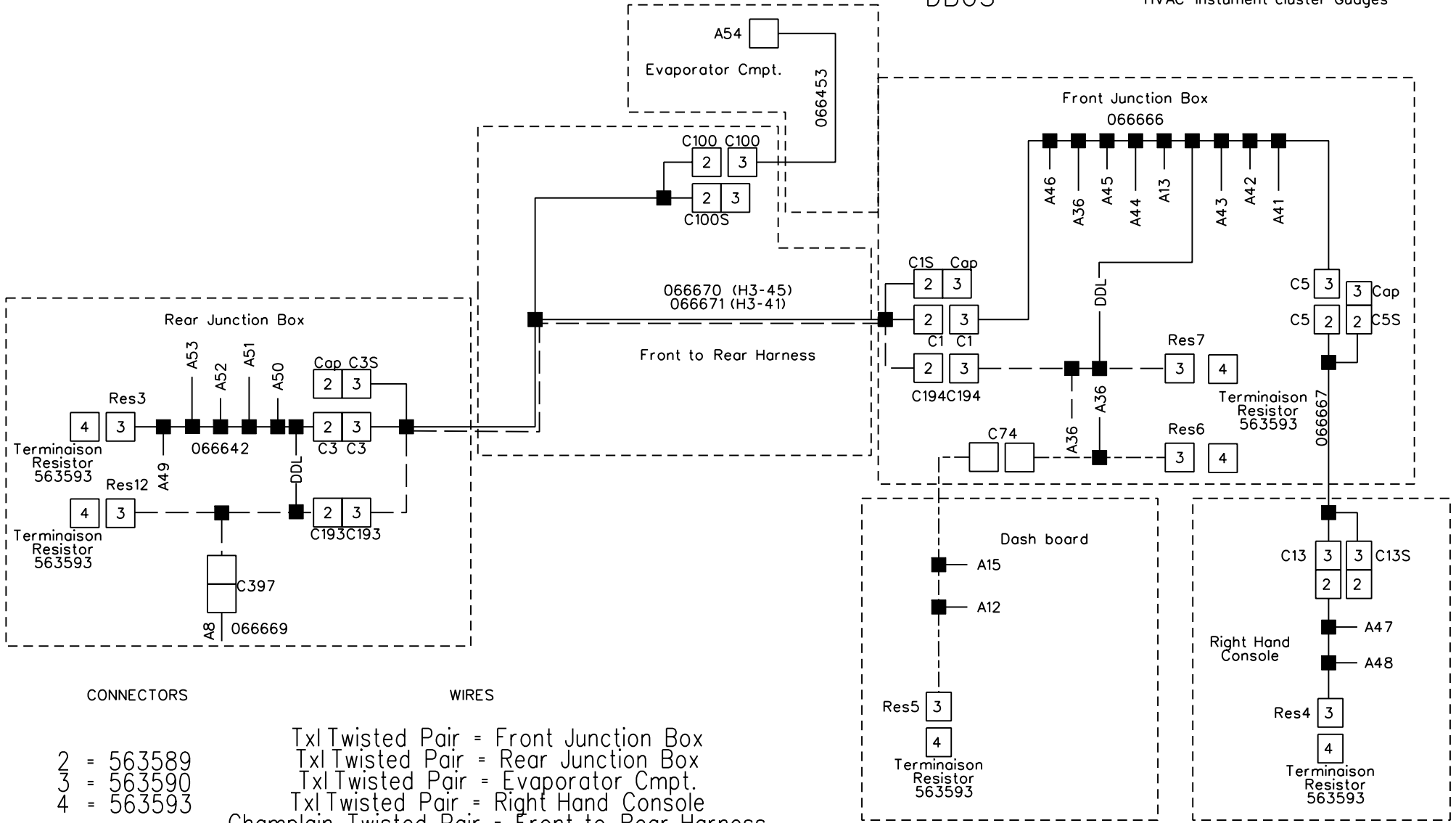


Res3 = 563590  
 Res4 = 563590  
 2 = 563589  
 3 = 563590  
 4 = 563593

Tx1 Twisted Pair = Front Junction Box  
 Tx1 Twisted Pair = Rear Junction Box  
 Tx1 Twisted Pair = Evaporator Cmpt.  
 Tx1 Twisted Pair = Right Hand Console  
 Champlain Twisted Pair = Front to Rear Harness  
 Champlain Twisted Pair = Front Service Cmpt

# CAN NETWORKS LAYOUT

CAN ————— I/O Modules  
 J1939 - - - - - Engine Transmission  
 DBUS - - - - - HVAC Instrument cluster Guages



# GLOSSARY

Abbreviation	Description	Abbreviation	Description
A	Electronic Module	T24VDF1	Terminal 24 Volt Direct Front #1
Alt	Alternator	T24VDR1	Terminal 24 Volt Direct Rear #1
Batt	Battery	T24VIF1	Terminal 24 Volt Ignition Front #1
C	Connector	T24VIR1	Terminal 24 Volt Ignition Rear #1
Can	Multiplex Network	Tab	Use for Spare wire
CB	Circuit Breaker	Term	Terminal
CECM	Multiplex Module Master	TGndF	Terminal Ground Front cmpt
Circuit ID	Circuit Number	TGndR	Terminal Ground Rear cmpt
Cond	Condensor	TTLT	TellTale Lights Module
D	Diode	VECF#	Veh. Electrical Center Front cmpt Conn number
Evap	Evaporator	VECR#	Veh. Electrical Center Rear cmpt Conn number
F	Fuse		
Fr	Front		
Hvac	Heat and A/C Controller		
I/O A	Multiplex Module Low Power		
I/O B	Multiplex Module High Power		
J1587	Drive Train Information Network		
J1939	Drive Train Control Network		
L	Lamp		
Master ID	Multiplex Module Downloader		
Mo	Motor		
Pot	Potentiometer		
R	Relay		
Res	Resistor		
Rly	Relay		
Rr	Rear		
Se	Sensor		
So	Solenoid		
Spk	Speaker		
Sw	Switch		
T12VDF1	Terminal 12 Volt Direct Front #1		
T12VDR1	Terminal 12 Volt Direct Rear #1		
T12VIF1	Terminal 12 Volt Ignition Front #1		
T12VIR1	Terminal 12 Volt Ignition Rear #1		

## CIRCUITNUMBERLISTING

CircuitID	Description	CircuitID	Description	CircuitID	Description
2	DoorUnlockSig	0Lav4	GndAisleLampsLH	12VDF	12VDtoFrontVec
2B	CondSndSpdSig	0PR1	EntranceCeilingLtGnd	12VI	12VItoCB10
3	DoorLatchSig	0PR2	GndWatchYourStep	12VI1	12VIofA44
4A	HostessChimeSig	0PR3	UpperDefrosterGnd	12VI2	MirrorPwr
4C	HostessChimeSig	0R	GndPrimePump	12VI3	PwrOutletDrawer
5	UpperDefrostfan	0RA2	GndCoolantsensor	12VI4	PwrOutletandCigarLighter
6	GndWitnessSw24	0RA3	GndR1-R3	12VI5	12VItoVECR
7	GndDriverSensor	0RB1	LavatoryGnd	12VI6	PwrtoModuleA50
8	GndParkBrakeSol	0RB3	GndTrailer	12VICust	12VICustomer
9	EngCmpt.LtsSwitch	0RB5	GndPre-Heat	12VIF	12VItoFrontVec
9A	EngineDoorOpenSig	0RB6	RJBGndCustomer	12VIZF	ZFsterringControl
9B	EngineCmpt.Lt	0RC2	GndDriverCylinder	12W	DoorUnlockSol
0A	Evap.Gnd	0RC3	GndR23	12WA	DoorFullOpenSig
00A	GndElectronic	0RC4	GndEntranceLights	12WUp1	12VWUptoA48
0B	EngineChassisGnd	0SA1	GndAlternator	12Wup1	12WUpFront
00B	ElectronicGndofMuxModules	0SA2	GndAlternator	12Wup2	12WUptoDash
0C	GndStarter	0SS	GndtoSoundSystem	12WUp5	PwrtoModuleA51
0CE	ChassisGndtoA47 A48	00SS	GndtoSoundSystem	12ZF	ZFsterringControl
00D	RJBAjarSignal	0V	LuggageDoorOpenSig	13	SignalToPre-heatrelay
0EV1	GndCondensor	0VE	EqualizerGnd	14A	FlushingPumpSig
0EV2	GndHvac	0W	WCLGnd	15	UpperWipInt.Signal
0EV3	GndPRackLH	0WC	WCLRemoteCtrl	15A	UpperWip.1StSpdSig
0EV6	RHP-RackMotorGnd	0Y	GndChassistoABSModule	16	SpeedSignal
0F	FJBDoorOpenSig	10	LuggageCmpt.LtsPwr	16A	UpperWasherPump
0FA1	GndofAccessoires	10A	LuggageCmpt.LtsPwr	17	UpperWasherSwSignal
0FA3	GndShifter	10R	LuggageDoorOpenSig	18	Wip.WasherLevel
0FA4	GndPwrOutlet	11	DestinationSignPwr	21	FlasherLHSig
0FB1	GndMirrors	12A	12VDtoR3	21A	FrontFlasher
0FB2	GndSw28	12B	12VDtoCB4	21AA	FlashersRearLH
0FB3	FJBCustomerGnd	12DZ	ZFTransmission	21B	CorneringLtsLH
0FB5	GndMasterId	12F	12VDto12PostRJB	22	HazardSwSig
0FC1	GndLuggageLock/Unlock	12H	DestinationSignPower	23	FlasherRHSig
0FC4	ElectricalHorn	12IZ	ZFTransmission	23A	FrontFlasherRH
0FF1	Gnd	12R	RadioMemory	23AA	FrontFlasherRHSide
0FF2	Gnd	12SS	12VISoundSystem	23B	CorneringLtsRH
0G	FuelSenderGnd	12VA	12vEqualizer	24	MasterRelayPwr
0Lav	GndReadingLamps	12VD1	12VDFrontWake-up	24A	BoosterBlock
0Lav1	GndDirectLights	12VD3	12vRearwake-up	24CO	PwrtoExcitationResistor
0Lav2	GndAisleLamps	12VD4	12vDDDR	24D	24DtoCB6
0Lav3	GndEmergencyLampsRH	12VDCust	12VDCustomer	24D6	WirelessChargerPwr

## CIRCUITNUMBERLISTING

CircuitID	Description	CircuitID	Description	CircuitID	Description
24DZ	ZFTransmission	26A	DriverWdo	50	WitnessGndSig
24E	24VItoCB1	26B	DriverWdo	51	WitnessGnd
24IZ	ZFTransmission	26C	DriverWdo	52B	PneumaticHorn
24S	24VItoCB11	27A	EmergencySwSig	53	LowerWip.Spd1Sig
24SS	24VISoundSystem	28	AudibleRlySig	53A	ElectricalHorn
24VA	24vEquilizer	31	UnloaderRH	53B	LowerWip.Spd2Sig
24VD	24VDEng.StartSw83	31EE	UpperWipSpd.1	53C	LowerWip.IntSig
24VD1	24VDDriverLiq	32A	BackupLtandalarm	53D	LowerWip.WasherSwSig
24VD2	24VDtoRearVec	32D	ReverseSigtoBackupMonitor	53E	LowerWiper1stSpd
24VD3	24VDofCECM	32EE	UpperWiperMotor	53F	LowerWasherPump
24VD4	24VDFrontWake-up	33	UnloaderLH	53G	LowerWip1stSpd
24VD5	24VDtoPre-Heat	34	ParkBrakeReleaseSignal	53H	LowerWiper
24VD6	24VDPre-Heat	35	EntranceDoorLights	54	TestSwitch
24VD7	PassandPRackPwr	35A	WatchYourStepLts	55	LuggageLockSol
24VDCust	24VDCustomer	36	EngneBrake	57A	WaterPump
24VI	24VI	38	DirectLights	57G	Pre-HeatWebasto
24VI1	24VItoRearVec	38A	DirectLights	57GA	Pre-HeattoWtrPmpRly
24VI2	24VI	38AA	DirectLightsRHRicon	57H	Pre-HeattoWtrPmpRly
24VI3	UpperWip.MotorPwr	38BB	DirectLightsLH	57L	Hi-Beam
24VI4	SunVisorsPwr	38C	DirectLightSwSig	57R	HighBeamRH
24VI5	24VILogic	39	DriverLtSwSig	57Rtn	SignalRtnHeadLtsLH
24VI6	PwrtoDefrostUnit	39D	DriverLt	58L	LowBeam
24VI7	LowerWiperPwr	40	WitnessGnd	58R	LowBeamRH
24VI8	24VItoMux	41	24VCondensor	58Rtn	HeadLampRHRtn
24VI9	24VIOfA54	41A	CondensorPwr	59	Hi/LowBeamSignal
24VI9A	24VIOfA54	42A	12VCondensor	60	FogsLtsSwSig
24VI9B	24VIOfA54	43	PRackRH	61	HeadLtsSig
24VI10	24VI	43F	WitnessGndSw27	62	FrontOccupiedLts
24VI12	RJBLightPwr	43G	PassandPRackLiquidValve	62B	LavatoryLts
24VIA	Cut-outPneumaticAcc	43H	PassandPRackLiquidValve	63	ClearanceLts
24VICust	24VICustomer	44	P-RackLHFan	63A	FrontClearanceLts
24VIF	24VItoFrontVEC	45	UpperFanSig	63C	CtrlHeadBacklight
24WC	WCL24VIPower	45A	PassengerHeatSig	64	EmergencyLampsSig
24WL	WCLPowerFeed	46	FrontFlasherRh	64A	Blinker
24WUp1	24VWUptoA47 A48	46A	FrontMarkers	65	FootDamper
24Wup1	24vwuPofMuxModules	47	DoorOpenSignal	65A	FootDamper
25	EngineRunSignal	47A	DoorOpenSignal	65D	DriverCylinder
25A1	ExcitationSignal	48A	DoorOpenSol	65P	Pass.Cylinder
25A2	ExcitationSignal	49	DoorCloseSignal	66	MarkersSigSw2
26	DriverWdoPwr	49A	DoorCloseSol	67	EvaporatorPwr

## CIRCUITNUMBERLISTING

CircuitID	Description	CircuitID	Description	CircuitID	Description
67A	Condensor1stSpdSig	81	HeadLtCallSw1	0Y3	GndSignal
68	DashDamper	82A	CyclopeLamp	0Z0	GndZFTrans.
68A	DashDamper	82Low	StopRearLowerLamp	0Z1	ZFTransmission
69	ElectricalHorn	82Up	StopRearUpperLamps	0Z2	ZFTransmission
70A	HatRackLighting	83	24vAccessories	100	IndirectLight
70B	HatRackLighting	84	StartSigSw83	100A	IndirectLight
70C	HatRackLighting	84A	StartSigSw83	100B	IndirectLightLH
70D	HatRackLighting	84B	StartSigSw83	100C	IndirectLightsSig
70E	GndHatRackLamps	85	24VIgnition	100D	IndirectLightPwr
70F	GndHatRackLamps	85A	Ign-AccSignal	101	PwrtoStarter
70G	GndHatRackLamps	85B	Ign-AccSignal	102	Transmission
70H	GndHatRackLamps	85C	PositionNormalSw58	102A	Alternator
70J	GndHatRackLamps	85D	RearStartPwr	103	LowBuoySig
71	UpperDefrostPump	85E	RearStartSignal	104	Transmission
71A	DockingLtsLH	85F	EgnineStartPwrSw58	105	FogLtsLH
72A	DockingLtsRH	85G	Ign-AccSignal	106	FogLtrRH
72B	SunVisorRHSig	85X	24VIgn	107	Transmission
72C	SunVisorSignal	85Y	ABSTTLT	110	Transmission
72D	SunVisorRHSig	85Z	AbsTrailerWarningSignal	113Z	ZFTransmission
72E	SunVisorRHSig	86	DefrostunitSpd	114	BacklightPwr
72F	SunVisorSignal	86F	StartSigfronStarter	114A	Backlight
73	HostessChimePwr	86G	StartSigfronStarter	114AA	ClusterKeyPadBacklight
73A	RearOccupiedSig	86Rtn	GndDefrostUnit	115	CoolantLevelSignal
74	ReadingLampSig	87	TrailerParkBrakeSig	115A	WitnessPwr
74A	ReadingLampsRH	88	TransducerPwr	115W	ZFTransmission
74B	ReadingLampsLH	89	DriverSensorSig	116	DriverLiq
74C	ReadingLamp	90H	24VltoEvap	116A	DriverLiq
74D	ReadingLamps	90H1	Evaporator	119	Eng.BrakeLow
75	ReadingLampsRH	91	ParkBrakeSig	120	Transmission
75A	ReadingLampsLH	91B	WitnessSigSw14	121	Transmission
76	FuelLevelSig	92	TrailerParkBrakeSig	122	DigitalClock
76C	FuelLowLevelSig	95	DockingLTSwSig	123	FireAlarm
76P	PrimePumpSig	96	CorneringLTSwSig	124	Transmission
77	TransducerHi-Side	99	Sw20Gnd	124A	ShifterSignal
77B	PassandPRackLiquidValve	00A1	GndElectronic	125	RetarderInd
77BA	A/Cclutch	00B1	GndEng.Start	126A	KneelingUpSwSig
77C	PassandPRackLiquidValve	0V1	LuggageDoorOpenSig	126B	KneelingDownSwSig
78	StopLightSensorSig	0V2	LuggageDoorOpenSig	126C	ProximitySwSig
79	DecelSignal	0V3	LuggageDoorOpenSig	126D	ProximitySwPwr
80	StopLightSensorSig	0Y2	GndChassisABSSol	126E	Kneeling15PsiPress.Sw.

## CIRCUITNUMBERLISTING

CircuitID	Description	CircuitID	Description	CircuitID	Description
126F	KneelingDownSol	146	ABSSolenoid	231B	StarterRelay
126G	KneelingUpSol	146A	TransmissionIgn	231Z	ZFTransmission
126H	KneelingCtrl.Sol	147	EtherSignal	240	PowertoEcm
126J	KneelingHi-BuoySol	147A	EtherSolenoid	241	PowertoEcm
126JR	GndKneeling	148	Transmission	260	WindowAjarSig
126P	KneelingBuzzer	149	Transmission	290	GndFanClutch
127	Transmission	149A	ABSSensor	291	FanClutch
127D	ChargerRlyGndSig	150	Transmission	292	FanClutch
128	Transmission	151	GndtoEcm	293	FanClutchSwSig
128B	Pre-HeatTTLT	152	ATCSignal	300	WCLTopLightSliding
129	Transmission	155	TransmissionInhibitSig	301	WheelChairLiftSwitch
130	Transmission	155Z	ZFTransmission	302	WCLRicon
131	Transmission	156A	12VtoABS	302A	WCLSlidingdoorSig
135	Transmission	157B	ABSActive	303	WCLRicon
135A	HandLevelSig	157C	ABSActive	304	WheelChairLift
136A	TransmissionPwr	157D	ATCTTLT	305	ParkBrakeSol
136AA	ShifterSignal	160	TagSignal	305A	WCLUpperDoorSignal
137	ServiceBrakeSig	162	Transmission	306	WCLTopLights
137A	MirrorPwrSig	163	RetarderSig	307	WCLPower
137B	Mirrors	164	HandLevelSig	308	WCL
137C	Mirrors	165	Transmission	309	WCL
137D	Mirrors	166	WitnessSigSw16	313	WCL
137E	Mirrors	170	ShifterSignal	341	PowerProtectionPanel
137F	Mirrors	170C	LuggageLockTTLTSig	343	Fire-EngineStopTTL
137H	Mirrors	170E	LuggageLockSwSig	344	ExtinguisherSignal
137J	Mirrors	170H	LuggageUnlockSol	345	ManualSignal
137K	Mirrors	171	LuggageUnlockSwSig	346	PowerSensors
137L	Mirrors	172	ShifterSignal	347	FireSignal
137M	Mirrors	173	ShifterSignal	348	PowerManualSignal
138	Transmission	174	ShifterSignal	351	EngineShout-downSignal
138A	ABSSensor	175A	ShifterSignal	352	OverrideSignal
139	Transmission	176	ShifterSignal	417	ThrottlePositionSignal
140	Transmission	180A	ShifterSignal	419	CheckEng.TTLT
141	Transmission	181	OutsideSensorSig	439	IgnitiontoEcm
142	ABSSolenoid	195	Transmission	509	StopEng.TTLT
143	ABSSensor	197	FuelFilterSig	510	FastIdleSignal
143A	ShifterSignal	214	Reverse	510A	FastIdleSignal
144	ABSSensor	225	LavatoryFan	524	EngBraketoEcm
144A	ABSSensor	231	Neutral	524B	IdleValidationSig
145	ABSSolenoid	231A	StarterRelay	528	OverrideSignal



## CIRCUITNUMBERLISTING

CircuitID	Description	CircuitID	Description	CircuitID	Description
541	CruiseSetSig	952	GndSensorRtn	G5	SpeakersLH
542	ParkBrakeSig	953	GndEcm	G8	SpeakersLH
544	CruiseEnableSig	953A	ThrottleInhibit	GndA	ComputerSignals
544A	CruiseOn-OffLed	979	EngineBrakeLowSig	IPJ1	Cluster
545	CruiseResumeSig	979A	EngineBrakeLowSig	IPJ2	Cluster
555	FanClutchSignal	B1A	DirectLighting	IPJ5	Cluster
556	SpeedSignal	B1B	DirectLighting	IPJ6	Cluster
563	FanClutchSignal	B2A	DirectLighting	IPJ7	Cluster
564	StarterLockout	B2B	DirectLighting	IPJ8	Cluster
564B	OutZFDecelSig	B3A	DirectLighting	J1939H	J1939Signals
565	Eng.BrakeActive	B3B	DirectLighting	J1939L	J1939Signals
583	EngineBrakeHiSig	B4A	DirectLighting	LX5	ClusterKeyPad
700	ZFTransmission	B4B	DirectLighting	LX6	ClusterKeyPad
701	ZFTransmission	B5A	DirectLighting	LX7	ClusterKeyPad
706	ZFTransmission	B5B	DirectLighting	LX16	ClusterKeyPad
707	ZFTransmission	B6A	DirectLighting	LX21	ClusterKeyPad
717	ZFTransmission	B6B	DirectLighting	N1	A41Address
718	ZFTransmission	B7A	DirectLighting	N2	A41Address
719	ZFTransmission	B7B	DirectLighting	N3	A42Address
723	ZFTransmission	Bref1	PassengerSensor	N4	A42Address
740	ZFTransmission	CanH	CanHSigal	N5	A43Address
761	ZFTransmission	CanH1	SparesCanFrontHarness	N6	A43Address
770	ZFTransmission	CanL	CanLSigal	N7	A44Address
900	J1587	CanL1	SparesCanFrontHarness	N8	A44Address
901	J1587	Cd	ComputerSignals	N9	A45Address
902	ZFTransmission	Cd1	ComputerSignals	N10	A45Address
905	TCISensorSig	Chgr	BatteryChargerGnd	N11	A46Address
906	ZFTransmission	Cts	ComputerSignals	N12	A46Address
907	ZFTransmission	D1	UpperWiperMotor	N13	A47Address
911	EmergencyCutoutRlySignal	D2	SpeakersRHRicon	N14	A47Address
916	5VSensorPwr	D3	SpeakersRHRicon	N15	A48Address
917	ZFTransmission	D4	SpeakersRHRicon	N16	A48Address
918	ZFTransmission	D5	SpeakersRHRicon	N17	A49Address
919	ZFTransmission	D6	SpeakersRHRicon	N18	A49Address
925	ZFTransmission	DBusH	DBusSigal	N19	A50Address
926	ZFTransmission	DBusL	DBusSigal	N20	A50Address
930	ZFTransmission	G1	SpeakersLH	N21	A51Address
932	ZFTransmission	G2	SpeakersLH	N22	A51Address
933	ZFTransmission	G3	SpeakersLH	N23	A52Address
934	ZFTransmission	G4	SpeakersLH	N24	A52Address

## CIRCUITNUMBERLISTING

CircuitID	Description	CircuitID	Description	CircuitID	Description
N25	A53Address	spare32	SparesFrontHarness	WC7	WCL
N26	A53Address	spare33	SparesFrontHarness	Y1A	DirectLighting
N27	A54Address	spare34	SparesFrontHarness	Y1B	DirectLighting
N28	A54Address	spare35	SparesFrontHarness	Y2A	DirectLighting
N29	A36Address	spare36	SparesFrontHarness	Y2B	DirectLighting
Ref1	GndPassengerSensor	spare37	SparesFrontHarness	Y3A	DirectLighting
RT	ZFTransmission	spare38	SparesFrontHarness	Y3B	DirectLighting
Rts	ComputerSignals	spare39	SparesDash	Y4A	DirectLighting
RxD	ComputerSignals	spare40	SparesDash	Y4B	DirectLighting
sp52	EvaporatorEngageSig	spare41	SparesDash	Y5A	DirectLighting
spare2	SparesFr-to-RearHarness	spare42	SparesDash	Y5B	DirectLighting
spare3	SparesFr-to-RearHarness	spare43	SparesDash	Y6A	DirectLighting
spare4	SparesEvap.Harness	spare44	SparesDash	Y6B	DirectLighting
spare5	SparesEvap.Harness	spare45	SparesFr-to-RearHarness	Y7A	DirectLighting
spare6	SparesEvap.Harness	spare46	SparesFr-to-RearHarness	Y7B	DirectLighting
spare7	SparesEvap.Harness	spare49	SparesEngineCradle		
spare8	SparesEvap.Harness	spare50	SparesEngineCradle		
spare9	SparesEvap.Harness	spare51	SparesEngineCradle		
spare10	SparesInteriorLtsHarness	spare52	SparesEngineCradle		
spare11	SparesInteriorLtsHarness	spare53	SparesEngineCradle		
spare12	SparesInteriorHarness	spare54	SparesEngineCradle		
spare13	SparesInteriorHarness	spare55	SparesEnginesAccessories		
spare14	SparesInteriorHarness	spare56	SparesEnginesAccessories		
spare15	SparesInteriorHarness	spare57	SparesEnginesAccessories		
spare16	SparesInteriorHarness	spare58	SparesEnginesAccessories		
spare17	SparesFr-to-RearHarness	spare59	SparesEnginesAccessories		
spare18	SparesFr-to-RearHarness	spare60	SparesEnginesAccessories		
spare19	SparesFr-to-RearHarness	spare61	SparesEnginesAccessories		
spare20	SparesClearanceLts	spare62	spareABSHarness		
spare21	SparesClearanceLts	spare63	spareABSHarness		
spare22	SparesClearanceLts	spare64	SpareWirePRckLhtoPRackRH		
spare23	SparesClearanceLts	spare65	SpareWirePRckLhtoPRackRH		
spare24	SparesClearanceLts	spWcl1	SpareWCL		
spare25	SparesClearanceLts	spWcl2	SpareWCL		
spare26	SparesFrontHarness	SW	ZFTransmission		
spare27	SparesFrontHarness	TxD	ComputerSignals		
spare28	SparesFrontHarness	WC2	WCLRemoteCtrl		
spare29	SparesFrontHarness	WC3	WCLRemoteCtrl		
spare30	SparesFrontHarness	WC4	WCLRemoteCtrl		
spare31	SparesFrontHarness	WC6	WCLRemoteCtrl		

## CIRCUITNUMBERLISTING

CircuitID	Description	CircuitID	Description	CircuitID	Description
2	DoorUnlockSig	0Lav1	GndDirectLights	12VD3	12vRearwake-up
2B	CondSndSpdSig	0Lav2	GndAisleLamps	12VD4	12vDDDR
3	DoorLatchSig	0Lav3	GndEmergencyLampsRH	12VDCust	12VDCustomer
4A	HostessChimeSig	0Lav4	GndAisleLampsLH	12VDF	12VDtoFrontVec
4C	HostessChimeSig	0PR1	EntranceCeilingLtGnd	12VI	12VItoCB10
5	UpperDefrostfan	0PR2	GndWatchYourStep	12VI1	12VIofA44
6	GndWitnessSw24	0PR3	UpperDefrosterGnd	12VI2	MirrorPwr
7	GndDriverSensor	0R	GndPrimePump	12VI3	PwrOutletDrawer
8	GndParkBrakeSol	0RA2	GndCoolantsensor	12VI4	PwrOutletandCigarLighter
9	EngCmpt.LtsSwitch	0RA3	GndR1-R3	12VI5	12VItoVECR
9A	EngineDoorOpenSig	0RB1	LavatoryGnd	12VI6	PwrtoModuleA50
9B	EngineCmpt.Lt	0RB3	GndTrailer	12VI9	Pwr to Tire monitoring system
0A	Evap.Gnd	0RB5	GndPre-Heat	12VICust	12VICustomer
00A	GndElectronic	0RB6	RJBGndCustomer	12VIF	12VItoFrontVec
0B	EngineChassisGnd	0RC2	GndDriverCylinder	12VIZF	ZFsterringControl
00B	ElectronicGndofMuxModules	0RC3	GndR23	12W	DoorUnlockSol
0C	GndStarter	0RC4	GndEntranceLights	12WA	DoorFullOpenSig
0CE	ChassisGndtoA47 A48	0SA1	GndAlternator	12WUp1	12VWUptoA48
00D	RJBAjarSignal	0SA2	GndAlternator	12Wup1	12WUpFront
0EV1	GndCondensor	0SS	GndtoSoundSystem	12Wup2	12WUptoDash
0EV2	GndHvac	00SS	GndtoSoundSystem	12WUp5	PwrtoModuleA51
0EV3	GndPRackLH	0V	LuggageDoorOpenSig	12ZF	ZFsterringControl
0EV6	RHP-RackMotorGnd	0VE	EqualizerGnd	13	SignalToPre-heatrelay
0F	FJBDoorOpenSig	0W	WCLGnd	14A	FlushingPumpSig
0FA1	GndofAccessoires	0WC	WCLRemoteCtrl	15	UpperWipInt.Signal
0FA3	GndShifter	0Y	GndChassistoABSModule	15A	UpperWip.1StSpdSig
0FA4	GndPwrOutlet	10	LuggageCmpt.LtsPwr	16	SpeedSignal
0FB1	GndMirrors	10A	LuggageCmpt.LtsPwr	16A	UpperWasherPump
0FB2	GndSw28	10R	LuggageDoorOpenSig	17	UpperWasherSwSignal
0FB3	FJBCustomerGnd	11	DestinationSignPwr	18	Wip.WasherLevel
0FB5	GndMasterId	12A	12VDtoR3	21	FlasherLHSig
0FC1	GndLuggageLock/Unlock	12B	12VDtoCB4	21A	FrontFlasher
0FC4	ElectricalHorn	12DZ	ZFTransmission	21AA	FlashersRearLH
0FE	Fire Suppression System Gnd	12F	12VDto12PostRJB	21B	CorneringLtsLH
0FE1	Fire Suppression System Gnd	12H	DestinationSignPower	22	HazardSwSig
0FE2	Fire Suppression System Gnd	12IZ	ZFTransmission	23	FlasherRHSig
0FF1	Gnd	12R	RadioMemory	23A	FrontFlasherRH
0FF2	Gnd	12SS	12VISoundSystem	23AA	FrontFlasherRHSide
0G	FuelSenderGnd	12VA	12vEqualizer	23B	CorneringLtsRH
0Lav	GndReadingLamps	12VD1	12VDFrontWake-up	24	MasterRelayPwr

## CIRCUITNUMBERLISTING

CircuitID	Description	CircuitID	Description	CircuitID	Description
24A	BoosterBlock	24Wup1	24vwuPofMuxModules	47	DoorOpenSignal
24CO	PwrtoExcitationResistor	25	EngineRunSignal	47A	DoorOpenSignal
24D	24DtoCB6	25A1	ExcitationSignal	48A	DoorOpenSol
24D6	WirelessChargerPwr	25A2	ExcitationSignal	49	DoorCloseSignal
24DZ	ZFTransmission	26	DriverWdoPwr	49A	DoorCloseSol
24E	24VItoCB1	26A	DriverWdo	50	WitnessGndSig
24FPS	Fire Suppression System	26B	DriverWdo	51	WitnessGnd
24IZ	ZFTransmission	26C	DriverWdo	52B	PneumaticHorn
24S	24VItoCB11	27A	EmergencySwSig	53	LowerWip.Spd1Sig
24SS	24VISoundSystem	28	AudibleRlySig	53A	ElectricalHorn
24VA	24vEquilizer	31	UnloaderRH	53B	LowerWip.Spd2Sig
24VD	24VDEng.StartSw83	31EE	UpperWipSpd.1	53C	LowerWip.IntSig
24VD1	24VDDriverLiq	32A	BackupLtandalarm	53D	LowerWip.WasherSwSig
24VD2	24VDtoRearVec	32D	ReverseSigtoBackupMonitor	53E	LowerWiper1stSpd
24VD3	24VDofCECM	32EE	UpperWiperMotor	53F	LowerWasherPump
24VD4	24VDFrontWake-up	33	UnloaderLH	53G	LowerWip1stSpd
24VD5	24VDtoPre-Heat	34	ParkBrakeReleaseSignal	53H	LowerWiper
24VD6	24VDPre-Heat	35	EntranceDoorLights	54	TestSwitch
24VD7	PassandPRackPwr	35A	WatchYourStepLts	55	LuggageLockSol
24VDCust	24VDCustomer	36	EngineBrake	57A	WaterPump
24VI	24VI	38	DirectLights	57G	Pre-HeatWebasto
24VI1	24VItoRearVec	38A	DirectLights	57GA	Pre-HeattoWtrPmpRly
24VI2	24VI	38AA	DirectLightsRHRicon	57H	Pre-HeattoWtrPmpRly
24VI3	UpperWip.MotorPwr	38BB	DirectLightsLH	57L	Hi-Beam
24VI4	SunVisorsPwr	38C	DirectLightSwSig	57R	HighBeamRH
24VI5	24VILogic	39	DriverLtSwSig	57Rtn	SignalRtnHeadLtsLH
24VI6	PwrtoDefrostUnit	39D	DriverLt	58L	LowBeam
24VI7	LowerWiperPwr	40	WitnessGnd	58R	LowBeamRH
24VI8	24VItoMux	41	24VCondensor	58Rtn	HeadLampRHRtn
24VI9	24VIofA54	41A	CondensorPwr	59	Hi/LowBeamSignal
24VI9A	24VIofA54	42A	12VCondensor	60	FogsLtsSwSig
24VI9B	24VIofA54	43	PRackRH	61	HeadLtsSig
24VI10	24VI	43F	WitnessGndSw27	62	FrontOccupiedLts
24VI12	RJBLightPwr	43G	PassandPRackLiquidValve	62B	LavatoryLts
24VIA	Cut-outPneumaticAcc	43H	PassandPRackLiquidValve	63	ClearanceLts
24VICust	24VICustomer	44	P-RackLHFan	63A	FrontClearanceLts
24VIF	24VItoFrontVEC	45	UpperFanSig	63C	CtrlHeadBacklight
24WC	WCL24VIPower	45A	PassengerHeatSig	64	EmergencyLampsSig
24WL	WCLPowerFeed	46	FrontFlasherRh	64A	Blinker
24WUp1	24VWUptoA47 A48	46A	FrontMarkers	65	FootDamper

## CIRCUITNUMBERLISTING

CircuitID	Description	CircuitID	Description	CircuitID	Description
65A	FootDamper	77BA	A/CClutch	00B1	GndEng.Start
65D	DriverCylinder	77C	PassandPRackLiquidValve	0V1	LuggageDoorOpenSig
65P	Pass.Cylinder	78	StopLightSensorSig	0V2	LuggageDoorOpenSig
66	MarkersSigSw2	79	DecelSignal	0V3	LuggageDoorOpenSig
67	EvaporatorPwr	80	StopLightSensorSig	0Y2	GndChassisABSSol
67A	Condensor1stSpdSig	81	HeadLtCallSw1	0Y3	GndSignal
68	DashDamper	82A	CyclopeLamp	0Z0	GndZFTrans.
68A	DashDamper	82Low	StopRearLowerLamp	0Z1	ZFTransmission
69	ElectricalHorn	82Up	StopRearUpperLamps	0Z2	ZFTransmission
70A	HatRackLighting	83	24vAccessories	100	IndirectLight
70B	HatRackLighting	84	StartSigSw83	100A	IndirectLight
70C	HatRackLighting	84A	StartSigSw83	100B	IndirectLightLH
70D	HatRackLighting	84B	StartSigSw83	100C	IndirectLightsSig
70E	GndHatRackLamps	85	24VIgnition	100D	IndirectLightPwr
70F	GndHatRackLamps	85A	Ign-AccSignal	101	PwrtoStarter
70G	GndHatRackLamps	85B	Ign-AccSignal	102	Transmission
70H	GndHatRackLamps	85C	PositionNormalSw58	102A	Alternator
70J	GndHatRackLamps	85D	RearStartPwr	103	LowBuoySig
71	UpperDefrostPump	85E	RearStartSignal	104	Transmission
71A	DockingLtsLH	85F	EgnineStartPwrSw58	105	FogLtsLH
72A	DockingLtsRH	85G	Ign-AccSignal	106	FogLtrRH
72B	SunVisorRHSig	85X	24VIgn	107	Transmission
72C	SunVisorSignal	85Y	ABSTTLT	110	Transmission
72D	SunVisorRHSig	85Z	AbsTrailerWarningSignal	113Z	ZFTransmission
72E	SunVisorRHSig	86	DefrostunitSpd	114	BacklightPwr
72F	SunVisorSignal	86F	StartSigfronStarter	114A	Backlight
73	HostessChimePwr	86G	StartSigfronStarter	114AA	ClusterKeyPadBacklight
73A	RearOccupiedSig	86Rtn	GndDefrostUnit	115	CoolantLevelSignal
74	ReadingLampSig	87	TrailerParkBrakeSig	115A	WitnessPwr
74A	ReadingLampsRH	88	TransducerPwr	115W	ZFTransmission
74B	ReadingLampsLH	89	DriverSensorSig	116	DriverLiq
74C	ReadingLamp	90H	24VitoEvap	116A	DriverLiq
74D	ReadingLamps	90H1	Evaporator	119	Eng.BrakeLow
75	ReadingLampsRH	91	ParkBrakeSig	120	Transmission
75A	ReadingLampsLH	91B	WitnessSigSw14	121	Transmission
76	FuelLevelSig	92	TrailerParkBrakeSig	122	DigitalClock
76C	FuelLowLevelSig	95	DockingLTSwSig	123	FireAlarm
76P	PrimePumpSig	96	CorneringLTSwSig	124	Transmission
77	TransducerHi-Side	99	Sw20Gnd	124A	ShifterSignal
77B	PassandPRackLiquidValve	00A1	GndElectronic	125	RetarderInd

## CIRCUITNUMBERLISTING

CircuitID	Description	CircuitID	Description	CircuitID	Description
126A	KneelingUpSwSig	143	ABSSensor	197	FuelFilterSig
126B	KneelingDownSwSig	143A	ShifterSignal	214	Reverse
126C	ProximitySwSig	144	ABSSensor	225	LavatoryFan
126D	ProximitySwPwr	144A	ABSSensor	231	Neutral
126E	Kneeling15PsiPress.Sw.	145	ABSSolenoid	231A	StarterRelay
126F	KneelingDownSol	146	ABSSolenoid	231B	StarterRelay
126G	KneelingUpSol	146A	TransmissionIgn	231Z	ZFTransmission
126H	KneelingCtrl.Sol	147	EtherSignal	240	PowertoEcm
126J	KneelingHi-BuoySol	147A	EtherSolenoid	241	PowertoEcm
126JR	GndKneeling	148	Transmission	260	WindowAjarSig
126P	KneelingBuzzer	149	Transmission	290	GndFanClutch
127	Transmission	149A	ABSSensor	291	FanClutch
127D	ChargerRlyGndSig	150	Transmission	292	FanClutch
128	Transmission	151	GndtoEcm	293	FanClutchSwSig
128B	Pre-HeatTTLT	152	ATCSignal	300	WCLTopLightSliding
129	Transmission	155	TransmissionInhibitSig	301	WheelChairLiftSwitch
130	Transmission	155Z	ZFTransmission	302	WCLRicon
131	Transmission	156A	12VtoABS	302A	WCLSlidingdoorSig
135	Transmission	157B	ABSActive	303	WCLRicon
135A	HandLevelSig	157C	ABSActive	304	WheelChairLift
136A	TransmissionPwr	157D	ATCTTLT	305	ParkBrakeSol
136AA	ShifterSignal	160	TagSignal	305A	WCLUpperDoorSignal
137	ServiceBrakeSig	162	Transmission	306	WCLTopLights
137A	MirrorPwrSig	163	RetarderSig	307	WCLPower
137B	Mirrors	164	HandLevelSig	308	WCL
137C	Mirrors	165	Transmission	309	WCL
137D	Mirrors	166	WitnessSigSw16	313	WCL
137E	Mirrors	170	ShifterSignal	341	Power Protection Panel
137F	Mirrors	170C	LuggageLockTTLTSig	342	Gnd Protection Panel
137H	Mirrors	170E	LuggageLockSwSig	343	Fire-Engine Stop TTL
137J	Mirrors	170H	LuggageUnlockSol	344	Extinguisher Signal
137K	Mirrors	171	LuggageUnlockSwSig	345	Manual Signal
137L	Mirrors	172	ShifterSignal	346	Power Sensors
137M	Mirrors	173	ShifterSignal	347	Fire Signal
138	Transmission	174	ShifterSignal	348	Power Manual Signal
138A	ABSSensor	175A	ShifterSignal	351	Engine Shout-down Signal
139	Transmission	176	ShifterSignal	352	Override Signal
140	Transmission	180A	ShifterSignal	417	Throttle Position Signal
141	Transmission	181	OutsideSensorSig	419	CheckEng.TTLT
142	ABSSolenoid	195	Transmission	439	Ignition to Ecm

## CIRCUITNUMBERLISTING

CircuitID	Description	CircuitID	Description	CircuitID	Description
509	Stop Eng.TTLT	925	ZFTransmission	DBusH	DBusSignal
510	Fast Idle Signal	926	ZFTransmission	DBusL	DBusSignal
510A	FastIdleSignal	930	ZFTransmission	G1	SpeakersLH
524	EngBraketoEcm	932	ZFTransmission	G2	SpeakersLH
524B	IdleValidationSig	933	ZFTransmission	G3	SpeakersLH
528	OverrideSignal	934	ZFTransmission	G4	SpeakersLH
541	CruiseSetSig	952	GndSensorRtn	G5	SpeakersLH
542	ParkBrakeSig	953	GndEcm	G8	SpeakersLH
544	CruiseEnableSig	953A	Throttleinhibit	GndA	ComputerSignals
544A	CruiseOn-OffLed	979	EngineBrakeLowSig	IPJ1	Cluster
545	CruiseResumeSig	979A	EngineBrakeLowSig	IPJ2	Cluster
555	FanClutchSignal	B1A	DirectLighting	IPJ5	Cluster
556	SpeedSignal	B1B	DirectLighting	IPJ6	Cluster
563	FanClutchSignal	B2A	DirectLighting	IPJ7	Cluster
564	StarterLockout	B2B	DirectLighting	IPJ8	Cluster
564B	OutZFDecelSig	B3A	DirectLighting	J1939H	J1939Signals
565	Eng.BrakeActive	B3B	DirectLighting	J1939L	J1939Signals
583	EngineBrakeHiSig	B4A	DirectLighting	LX5	ClusterKeyPad
700	ZFTransmission	B4B	DirectLighting	LX6	ClusterKeyPad
701	ZFTransmission	B5A	DirectLighting	LX7	ClusterKeyPad
706	ZFTransmission	B5B	DirectLighting	LX16	ClusterKeyPad
707	ZFTransmission	B6A	DirectLighting	LX21	ClusterKeyPad
717	ZFTransmission	B6B	DirectLighting	N1	A41Address
718	ZFTransmission	B7A	DirectLighting	N2	A41Address
719	ZFTransmission	B7B	DirectLighting	N3	A42Address
723	ZFTransmission	Bref1	PassengerSensor	N4	A42Address
740	ZFTransmission	CanH	CanHSignal	N5	A43Address
761	ZFTransmission	CanH1	SparesCanFrontHarness	N6	A43Address
770	ZFTransmission	CanL	CanLSignal	N7	A44Address
900	J1587	CanL1	SparesCanFrontHarness	N8	A44Address
901	J1587	Cd	ComputerSignals	N9	A45Address
902	ZFTransmission	Cd1	ComputerSignals	N10	A45Address
905	TCISensorSig	Chgr	BatteryChargerGnd	N11	A46Address
906	ZFTransmission	Cts	ComputerSignals	N12	A46Address
907	ZFTransmission	D1	UpperWiperMotor	N13	A47Address
911	EmergencyCutoutRlySignal	D2	SpeakersRHRicon	N14	A47Address
916	5VSensorPwr	D3	SpeakersRHRicon	N15	A48Address
917	ZFTransmission	D4	SpeakersRHRicon	N16	A48Address
918	ZFTransmission	D5	SpeakersRHRicon	N17	A49Address
919	ZFTransmission	D6	SpeakersRHRicon	N18	A49Address

## CIRCUITNUMBERLISTING

CircuitID	Description	CircuitID	Description	CircuitID	Description
N19	A50Address	spare26	SparesFrontHarness	SW	ZFTransmission
N20	A50Address	spare27	SparesFrontHarness	TxD	ComputerSignals
N21	A51Address	spare28	SparesFrontHarness	WC2	WCLRemoteCtrl
N22	A51Address	spare29	SparesFrontHarness	WC3	WCLRemoteCtrl
N23	A52Address	spare30	SparesFrontHarness	WC4	WCLRemoteCtrl
N24	A52Address	spare31	SparesFrontHarness	WC6	WCLRemoteCtrl
N25	A53Address	spare32	SparesFrontHarness	WC7	WCL
N26	A53Address	spare33	SparesFrontHarness	Y1A	DirectLighting
N27	A54Address	spare34	SparesFrontHarness	Y1B	DirectLighting
N28	A54Address	spare35	SparesFrontHarness	Y2A	DirectLighting
N29	A36Address	spare36	SparesFrontHarness	Y2B	DirectLighting
Ref1	GndPassengerSensor	spare37	SparesFrontHarness	Y3A	DirectLighting
RT	ZFTransmission	spare38	SparesFrontHarness	Y3B	DirectLighting
Rts	ComputerSignals	spare39	SparesDash	Y4A	DirectLighting
RxD	ComputerSignals	spare40	SparesDash	Y4B	DirectLighting
sp52	EvaporatorEngageSig	spare41	SparesDash	Y5A	DirectLighting
spare2	SparesFr-to-RearHarness	spare42	SparesDash	Y5B	DirectLighting
spare3	SparesFr-to-RearHarness	spare43	SparesDash	Y6A	DirectLighting
spare4	SparesEvap.Harness	spare44	SparesDash	Y6B	DirectLighting
spare5	SparesEvap.Harness	spare45	SparesFr-to-RearHarness	Y7A	DirectLighting
spare6	SparesEvap.Harness	spare46	SparesFr-to-RearHarness	Y7B	DirectLighting
spare7	SparesEvap.Harness	spare49	SparesEngineCradle		
spare8	SparesEvap.Harness	spare50	SparesEngineCradle		
spare9	SparesEvap.Harness	spare51	SparesEngineCradle		
spare10	SparesInteriorLtsHarness	spare52	SparesEngineCradle		
spare11	SparesInteriorLtsHarness	spare53	SparesEngineCradle		
spare12	SparesInteriorHarness	spare54	SparesEngineCradle		
spare13	SparesInteriorHarness	spare55	SparesEnginesAccessories		
spare14	SparesInteriorHarness	spare56	SparesEnginesAccessories		
spare15	SparesInteriorHarness	spare57	SparesEnginesAccessories		
spare16	SparesInteriorHarness	spare58	SparesEnginesAccessories		
spare17	SparesFr-to-RearHarness	spare59	SparesEnginesAccessories		
spare18	SparesFr-to-RearHarness	spare60	SparesEnginesAccessories		
spare19	SparesFr-to-RearHarness	spare61	SparesEnginesAccessories		
spare20	SparesClearanceLts	spare62	spareABSHarness		
spare21	SparesClearanceLts	spare63	spareABSHarness		
spare22	SparesClearanceLts	spare64	SpareWirePRckLhtoPRackRH		
spare23	SparesClearanceLts	spare65	SpareWirePRckLhtoPRackRH		
spare24	SparesClearanceLts	spWcl1	SpareWCL		
spare25	SparesClearanceLts	spWcl2	SpareWCL		



## CIRCUITNUMBERLISTING

CircuitID	Description	CircuitID	Description	CircuitID	Description	CircuitID	Description
2	DoorUnlockSig	0Lav2	GndAisleLamps	12MEM	SOUND_SYSTEM	17	UpperWasherSwSignal
2B	CondSndSpdSig	0Lav3	GndEmergencyLampsRH	12SS	Power_Harness	18	Wip.WasherLevel
3	DoorLatchSig	0Lav4	GndAisleLampsLH	12SS1	SOUND_SYSTEM	19A	TagUnload
4A	HostessChimeSig	0P	Galley	12SS2	SOUND_SYSTEM	19B	TagUnload
4C	HostessChimeSig	0PR1	EntranceCeilingLtGnd	12VA	12vEqualizer	20	
5	UpperDefrostfan	0PR2	GndWatchYourStep	12VD1	12VDFrontWake-up	21	FlasherLHSig
6	GndWitnessSw24	0PR3	UpperDefrosterGnd	12VD3	12vRearwake-up	21A	FrontFlasher
7	GndDriverSensor	0R	GndPrimePump	12VD4	12vDDDR	21AA	FlashersRearLH
8	GndParkBrakeSol	0RA2	GndCoolantsensor	12VDCust	12VDCustomer	21B	CorneringLtsLH
9	EngCmpt.LtsSwitch	0RA3	GndR1-R3	12VDF	12VDtoFrontVec	22	HazardSwSig
9A	EngineDoorOpenSig	0RB1	LavatoryGnd	12VI	12VItoCB10	23	FlasherRHSig
9B	EngineCmpt.Lt	0RB3	GndRearClearanceLts	12VI1	12VIofA44	23A	FrontFlasherRH
9H	9v reverse signal	0RB4	GndGalley	12VI2	MirrorPwr	23AA	FrontFlasherRHSide
0A	Evap.Gnd	0RB5	GndPre-Heat	12VI3	PwrOutletDrawer	23B	CorneringLtsRH
00A	GndElectronic	0RB6	RJBGndCustomer	12VI4	PwrOutletandCigarLighter	24	MasterRelayPwr
0B	EngineChassisGnd	0RC2	GndDriverCylinder	12VI5	12VItoVECR	24A	BoosterBlock
00B	ElectronicGndofMuxModules	0RC3	GndR23	12VI6	PwrtoModuleA50	24CO	PwrtoExcitationResistor
0C	GndStarter	0RC4	GndEntranceLights	12VI7		24D	24DtoCB6
0CD	SOUND_SYSTEM	0SA1	GndAlternator	12VI8		24DZ	ZFTransmission
0CE	ChassisGndtoA47A48	0SA2	GndAlternator	12VI9	TireMonitoringPwr	24E	24VItoCB1
00D	RJBAjarSignal	0SS	Parcel_Rack_Pwr	12VICust	12VICustomer	24FPS	
0EV1	GndCondensor	0SS1	SOUND_SYSTEM	12VIF	12VItoFrontVec	24GA	Galley
0EV2	GndHvac	0SS2	SOUND_SYSTEM	12VISS1	SOUNDSYSTEM	24IZ	ZFTransmission
0EV3	GndPRackLH	0SS3	SOUND_SYSTEM	12VISS2	SOUND_SYSTEM	24ND	
0EV6	RHP-RackMotorGnd	0SS4	SOUND_SYSTEM	12VISS3	SOUND_SYSTEM	24P	
0F	FJBDDoorOpenSig	0V	LuggageDoorOpenSig	12VISS4	SOUND_SYSTEM	24PV	Galley
0FA1	GndofAccessoires	0VE	EqualizerGnd	12VISS5	SOUND_SYSTEM	24PVA	Galley
0FA4	GndPwrOutlet	0W	WCLGnd	12VIZF	ZFsterringControl	24SS	Power_Harness
0FB1	E-RideGnd	0WC	WCLRemoteCtrl	12W	DoorUnlockSol	24SS1	SOUND_SYSTEM
0FB2	GndSw28	0Y	GndChassistoABSModule	12WA	DoorFullOpenSig	24SS2	SOUND_SYSTEM
0FB3	GndMasterId	10	LuggageCmpt.LtsPwr	12WUp1	12VWUptoA48	24SS11	SOUND_SYSTEM
0FC1	left/right_luggage_door_lock	10A	LuggageCmpt.LtsPwr	12Wup1	12WUpFront	24SS12	SOUND_SYSTEM
0FC4	ElectricalHorn	10R	LuggageDoorOpenSig	12Wup2	12WUptoDash	24SS13	SOUND_SYSTEM
0FE	Gnd	11		12WUp5	PwrtoModuleA51	24SS21	SOUND_SYSTEM
0FE1	Gnd	12A	12VDtoR3	13	SignalToPre-heatrelay	24SS22	SOUND_SYSTEM
0FE2	Gnd	12B	12VDtoCB4	14A	FlushingPumpSig	24VA	24vEquilizer
0G	GndofA54	12CD	SOUND_SYSTEM	15	UpperWipInt.Signal	24VD	24VDEng.StartSw83
0K	AirDryer	12DZ	ZFTransmission	15A	UpperWip.1StSpdSig	24VD1	24VDDriverLiq
0Lav	GndReadingLamps	12F	12VDto12PostRJB	16	SpeedSignal	24VD2	24VDtoRearVec
0Lav1	GndDirectLights	12H	DestinationSignPower	16A	UpperWasherPump	24VD3	24VDofCECM

## CIRCUITNUMBERLISTING

CircuitID	Description	CircuitID	Description	CircuitID	Description	CircuitID	Description
24VD4	24VDFrontWake-up	32D		53E	LowerWiper1stSpd	70D	HatRackLighting
24VD5	24VDtoPre-Heat	32EE	UpperWiperMotor	53F	LowerWasherPump	70E	GndHatRackLamps
24VD6	24VDPre-Heat	33	UnloaderLH	53G	LowerWip1stSpd	70F	GndHatRackLamps
24VD7	PassandPRackPwr	34	ParkBrakeReleaseSignal	53H	LowerWiper	70G	GndHatRackLamps
24VD8		35	EntranceDoorLights	54	TestSwitch	70H	GndHatRackLamps
24VDCust	24VDCustomer	35A	WatchYourStepLts	55	LuggageLockSol	70J	GndHatRackLamps
24VI	24VI	36	EngineBrake	55R	left/right_luggage_door_lock	71	UpperDefrostPump
24VI1	24VItoRearVec	38	DirectLights	57A	WaterPump	71A	DockingLtsLH
24VI2	24VI	38A	DirectLights	57G	Pre-HeatWebasto	72A	DockingLtsRH
24VI3	UpperWip.MotorPwr	38AA	DirectLightsRHRicon	57GA	Pre-HeattoWtrPmpRly	72B	SunVisorRHSig
24VI4	SunVisorsPwr	38BB	DirectLightsLH	57H	Pre-HeattoWtrPmpRly	72C	SunVisorSignal
24VI5	24VlofMuxmodules	38C	DirectLightSwSig	57L	Hi-Beam	72D	SunVisorRHSig
24VI6	PwrtoDefrostUnit	39	DriverLtSwSig	57R	HighBeamRH	72E	SunVisorRHSig
24VI7	LowerWiperPwr	39D	DriverLt	57Rtn	SignalRtnHeadLtsLH	72F	SunVisorSignal
24VI8	24VItoMux	40	WitnessGnd	58L	LowBeam	73	HostessChimePwr
24VI9	24VlofA54	41	24VCondensior	58R	LowBeamRH	73A	RearOccupiedSig
24VI9A	24VlofA54	41A	CondensiorPwr	58Rtn	HeadLampRHRtn	74	ReadingLampSig
24VI9B	24VlofA54	42A	12VCondensior	59	Hi/LowBeamSignal	74A	ReadingLampsRH
24VI10	24VI	43	PRackRH	60	FogsLtsSwSig	74B	ReadingLampsLH
24VI12	RJBLightPwr	43F	WitnessGndSw27	61	HeadLtsSig	74C	ReadingLamp
24VIA	Cut-outPneumaticAcc	43G	PassandPRackLiquidValve	62	FrontOccupiedLts	74D	ReadingLamps
24VICust	24VICustomer	43H	PassandPRackLiquidValve	62B	LavatoryLts	75	ReadingLampsRH
24VIF	24VItoFrontVEC	44	P-RackLHFan	63	ClearanceLts	75A	ReadingLampsLH
24WC	WCL24VIPower	45	UpperFanSig	63A	FrontClearanceLts	76	FuelLevelSig
24WUp1	24WUpFront	45A	PassengerHeatSig	63C	CtrlHeadBacklight	76C	FuelLowLevelSig
24Wup1	24WUpFront	46	FrontFlasherRh	64	EmergencyLampsSig	76P	PrimePumpSig
25	EngineRunSignal	46A	FrontMarkers	64A	Blinker	77	TransducerHi-Side
25A1	ExcitationSignal	47	DoorOpenSignal	65	FootDamper	77B	PassandPRackLiquidValve
25A2	ExcitationSignal	47A	DoorOpenSignal	65A	FootDamper	77BA	A/CClutch
26	DriverWdoPwr	48A	DoorOpenSol	65D	DriverCylinder	77C	PassandPRackLiquidValve
26A	DriverWdo	49	DoorCloseSignal	65P	Pass.Cylinder	78	StopLightSensorSig
26B	DriverWdo	49A	DoorCloseSol	66	MarkersSigSw2	79	DecelSignal
26C	DriverWdo	50	WitnessGndSig	67	EvaporatorPwr	80	StopLightSensorSig
27A	EmergencySwSig	51	WitnessGnd	67A	Condensior1stSpdSig	81	HeadLtCallSw1
28	AudibleRlySig	52B	PneumaticHorn	68	DashDamper	82A	CyclopeLamp
30A	Galley	53	LowerWip.Spd1Sig	68A	DashDamper	82Low	StopRearLowerLamp
31	UnloaderRH	53A	ElectricalHorn	69	ElectricalHorn	82Up	StopRearUpperLamps
31B	WiperIntermittentSignal	53B	LowerWip.Spd2Sig	70A	HatRackLighting	83	24vAccessories
31EE	UpperWipSpd.1	53C	LowerWip.IntSig	70B	HatRackLighting	84	StartSigSw83
32A	BackupLtandalarm	53D	LowerWip.WasherSwSig	70C	HatRackLighting	84A	StartSigSw83

## CIRCUITNUMBERLISTING

CircuitID	Description	CircuitID	Description	CircuitID	Description	CircuitID	Description
84B	StartSigSw83	100D	IndirectLightPwr	133C	Galley	150	Transmission
85	24VIgnition	101	PwrtoStarter	134	Galley	151	GndtoEcm
85A	Ign-AccSignal	102A	Alternator	134A	Galley	151A	GndtoEcm
85B	Ign-AccSignal	103	LowBuoySig	134B	Galley	151B	GndtoEcm
85C	PositionNormalSw58	105	FogLtsLH	135	Transmission	151C	GndtoEcm
85D	RearStartPwr	106	FogLtRH	135A	HandLevelSig	151D	GndtoEcm
85E	RearStartSignal	111	Transmission	136	Transmission	152	Transmission
85F	EgnineStartPwrSw58	114	BacklightPwr	136A		154	Transmission
85G	Ign-AccSignal	114A	Backlight	136AA	ShifterSignal	155	Transmission
85X	24VIgn	114AA	ClusterKeyPadBacklight	136C	Galley	155Z	ZFTransmission
85Y	ABSTTLT	115	CoolantLevelSignal	137	ServiceBrakeSig	156A	12VltoABS
85Z	AbsTrailerWarningSignal	115A	WitnessPwr	137A	MirrorPwrSig	157B	
86	DefrostunitSpd	115W		137B	Mirrors	157D	ATCTTLT
86Rtn	GndDefrostUnit	116	DriverLiq	137C	Mirrors	159	Transmission
87	TrailerParkBrakeSig	116A	DriverLiq	137D	Mirrors	160	TagSignal
88	TransducerPwr	119	Transmission	137E	Mirrors	163	RetarderSig
89	DriverSensorSig	120	Transmission	137F	Mirrors	164	HandLevelSig
90H	24VltoEvap	122	DigitalClock	137H	Mirrors	166	WitnessSigSw16
90H1	Evaporator	123	FireAlarm	137J	Mirrors	170C	left/right_luggage_door_lock
91	ParkBrakeSig	124A		137K	Mirrors	170E	LuggageLockSwSig
91B	WitnessSigSw14	125		137L	Mirrors	170H	LuggageUnlockSol
92	TrailerParkBrakeSig	126A	KneelingUpSwSig	137M	Mirrors	170HR	left/right_luggage_door_lock
95		126B	KneelingDownSwSig	138	Transmission	171	LuggageUnlockSwSig
96		126C	ProximitySwSig	138A	ABSSensor	174	Transmission
99	Sw20Gnd	126D	ProximitySwPwr	139	Transmission	175	Transmission
00A1	GndElectronic	126E	Kneeling15PsiPress.Sw.	140	Transmission	175C	TagUnload
00B1	GndEng.Start	126F	KneelingDownSol	141	Transmission	176	Transmission
0G1	Galley	126G	KneelingUpSol	142	ABSSolenoid	177	Transmission
0V1	LuggageDoorOpenSig	126H	KneelingCtrl.Sol	143	ABSSensor	180	Transmission
0V2	LuggageDoorOpenSig	126J	KneelingHi-BuoySol	143A	ABSSensor	181	OutsideSensorSig
0V3	LuggageDoorOpenSig	126JR	GndKneeling	144	ABSSensor	197	FuelFilterSig
0Y2	GndChassisABSSol	126P	KneelingBuzzer	144A	ABSSensor	201	Headlampcleaningsignal
0Y3	GndSignal	127	Transmission	145	ABSSolenoid	202	headlampcleaningpump
0Z0	GndZFTrans.	127D	ChargerRlyGndSig	146	ABSSolenoid	225	LavatoryFan
0Z1	ZFTransmission	128		146A		231	Neutral
0Z2	ZFTransmission	128B	Pre-HeatTTLT	147	EtherSignal	231A	StarterRelay
100	IndirectLight	131	Transmission	147A	EtherSolenoid	231B	StarterRelay
100A	IndirectLight	133	Transmission	148	Transmission	240	
100B	IndirectLightLH	133A	Galley	149	Transmission	240A	PowertoEcm
100C	IndirectLightsSig	133B	Galley	149A	ABSSensor	240B	PowertoEcm

# CIRCUITNUMBERLISTING

CircuitID	Description	CircuitID	Description	CircuitID	Description	CircuitID	Description
241		417	ThrottlePositionSignal	916	5VSensorPwr	CanH1	
241A	PowerToEcm	419	CheckEng.TTLT	917	ZFTransmission	CanHInA34	
241B	PowerToEcm	439	IgnitionToEcm	919	ZFTransmission	CanHOut	
253	Galley	509	StopEng.TTLT	925	ZFTransmission	CanH_ERide	
253A	Galley	510	FastIdleSignal	926	ZFTransmission	CanH_In	
254	Galley	510A	FastIdleSignal	930	ZFTransmission	CanL	CanLSignal
254F	Galley	524		932	ZFTransmission	CanL1	
255	Galley	524B	IdleValidationSig	952	GndSensorRtn	CanLInA34	
255B	Galley	528	OverrideSignal	953	GndEcm	CanLOut	
255BA	Galley	541	CruiseSetSig	953A	ThrottleInhibit	CanL_ERide	
260	WindowAjarSig	542	ParkBrakeSig	979		CanL_In	
290	GndFanClutch	544	CruiseEnableSig	979A		CanL_Out	
291	FanClutch	544A	CruiseOn-OffLed	ANT	SOUND_SYSTEM	Cd	ComputerSignals
292	FanClutch	545	CruiseResumeSig	AUX1	SOUND_SYSTEM	Cd1	ComputerSignals
293	FanClutchSwSig	555	FanClutchSignal	Aux1_Gnd	SOUND_SYSTEM	Cd1_Gnd	SOUND_SYSTEM
300	WCLTopLightSliding	556		Aux1_L+	SOUND_SYSTEM	Cd1_L+	SOUND_SYSTEM
301	WheelChairLiftSwitch	563	FanClutchSignal	Aux1_R+	SOUND_SYSTEM	Cd1_R+	SOUND_SYSTEM
302	WCLRicon	564	StarterLockout	AUX2	SOUND_SYSTEM	Cd2_Gnd	SOUND_SYSTEM
302A	WCLSlidingdoorSig	564B	OutZFDecelSig	Aux2_Gnd	SOUND_SYSTEM	Cd2_L+	SOUND_SYSTEM
303	WCLRicon	565	Eng.BrakeActive	Aux2_L+	SOUND_SYSTEM	Cd2_R+	SOUND_SYSTEM
304	WheelChairLift	583	EngineBrakeHiSig	Aux_R+	SOUND_SYSTEM	CD3_Gnd	SOUND_SYSTEM
305	ParkBrakeSol	700	ZFTransmission	B1A	DirectLighting	CD3_L+	SOUND_SYSTEM
305A	WCLUpperDoorSignal	701	ZFTransmission	B1B	DirectLighting	CD3_R+	SOUND_SYSTEM
306	WCLTopLights	705	ZFTransmission	B2A	DirectLighting	Chgr	BatteryChargerGnd
307		706	ZFTransmission	B2B	DirectLighting	Chgr_C	SOUND_SYSTEM
308	WCL	707	ZFTransmission	B3A	DirectLighting	Chgr_L	SOUND_SYSTEM
309	WCL	717	ZFTransmission	B3B	DirectLighting	Chgr_R	SOUND_SYSTEM
311		719	ZFTransmission	B4A	DirectLighting	Cts	ComputerSignals
313		723	ZFTransmission	B4B	DirectLighting	D1	UpperWiperMotor
341	PowerProtectionPanel	740	ZFTransmission	B5A	DirectLighting	DATA	SOUND_SYSTEM
342	FireExting.Gnd	761	ZFTransmission	B5B	DirectLighting	DBusH	DBusSignal
343	Fire-EngineStopTTL	770	ZFTransmission	B6A	DirectLighting	DBusL	DBusSignal
343A		900	J1587	B6B	DirectLighting	DSL+++	DRIVER_SPEAKERS
344	ExtinguisherSignal	901	J1587L	B7A	DirectLighting	DSL---	DRIVER_SPEAKERS
345	ManualSignal	902	ZFTransmission	B7B	DirectLighting	DSR+++	DRIVER_SPEAKERS
346	PowerSensors	905	TCISensorSig	BLK1	SOUND_SYSTEM	DSR---	DRIVER_SPEAKERS
347	FireSignal	906	ZFTransmission	BLK2	SOUND_SYSTEM	DVD1_Gnd	Sound_System
348	PowerManualSignal	907	ZFTransmission	Bref1	PassengerSensor	DVD1_L+	Sound_System
351	EngineShout-downSignal	910	L_SPEAKER_HARNESS	CAM2	SOUND_SYSTEM	DVD1_R+	Sound_System
352	OverrideSignal	911	EmergencyCutoutRlySignal	CanH	CanHSignal	Dvd2_Gnd	SOUND_SYSTEM

## CIRCUITNUMBERLISTING

CircuitID	Description	CircuitID	Description	CircuitID	Description	CircuitID	Description
Dvd2_L+	SOUND_SYSTEM	N4	A42Address	RF-	DISTRIBUTION_SOUND_HARNESS	spare17	SparesFr-to-RearHarness
Dvd2_R+	SOUND_SYSTEM	N5	A43Address	RR+	DISTRIBUTION_SOUND_HARNESS	spare18	SparesFr-to-RearHarness
FAKE	L_SPEAKER_HARNESS	N6	A43Address	RR-	SOUND_SYSTEM	spare19	SparesFr-to-RearHarness
FAKE1	R_SPEAKER_HARNESS	N7	A44Address	RT	ZFTtransmission	spare20	SparesClearanceLts
GndA	ComputerSignals	N8	A44Address	R_DRIVER	SOUND_SYSTEM	spare21	SparesClearanceLts
GndOA34		N9	A45Address	Rts	ComputerSignals	spare22	SparesClearanceLts
GndOA37		N10	A45Address	RTV	SOUND_SYSTEM	spare23	SparesClearanceLts
GRN1	SOUND_SYSTEM	N11	A46Address	RxD	ComputerSignals	spare24	SparesClearanceLts
GRN2	SOUND_SYSTEM	N12	A46Address	SHD1	SOUND_SYSTEM	spare25	SparesClearanceLts
H1_L+	SOUND_SYSTEM	N13	A47Address	SHD2	SOUND_SYSTEM	spare26	SparesFrontHarness
H1_L-	SOUND_SYSTEM	N14	A47Address	SHIELD	jack_3_5mm	spare27	SparesFrontHarness
H1_R+	SOUND_SYSTEM	N15	A48Address	Shield		spare28	SparesFrontHarness
H1_R-	SOUND_SYSTEM	N16	A48Address	SHLD	SOUND_SYSTEM	spare29	SparesFrontHarness
H2_L+	SOUND_SYSTEM	N17	A49Address	SL13	L_SPEAKER_HARNESS	spare30	SparesFrontHarness
H2_L-	SOUND_SYSTEM	N18	A49Address	SL24	L_SPEAKER_HARNESS	spare31	SparesFrontHarness
H2_R+	SOUND_SYSTEM	N19	A50Address	SL35	L_SPEAKER_HARNESS	spare32	SparesFrontHarness
H2_R-	SOUND_SYSTEM	N20	A50Address	SL46	L_SPEAKER_HARNESS	spare33	SparesFrontHarness
HOSTESS	SOUND_SYSTEM	N21	A51Address	SL57	L_SPEAKER_HARNESS	spare34	SparesFrontHarness
IPJ1	Cluster	N22	A51Address	SL68	L_SPEAKER_HARNESS	spare35	SparesFrontHarness
IPJ2	Cluster	N23	A52Address	SL1012	L_SPEAKER_HARNESS	spare36	SparesFrontHarness
IPJ5	Cluster	N24	A52Address	SL1113	L_SPEAKER_HARNESS	spare37	SparesFrontHarness
IPJ6	Cluster	N25	A53Address	SL1214	L_SPEAKER_HARNESS	spare38	SparesFrontHarness
IPJ7	Cluster	N26	A53Address	SL1315	L_SPEAKER_HARNESS	spare39	SparesDash
IPJ8	Cluster	N27	A54Address	SL1416	L_SPEAKER_HARNESS	spare40	SparesDash
J1939H	J1939Signals	N28	A54Address	sp52	EvaporatorEngageSig	spare41	SparesDash
J1939L	J1939Signals	N29	A36Address	spare2	SparesFr-to-RearHarness	spare42	SparesDash
LF+	DISTRIBUTION_SOUND_HARNESS	NavSpk+++	Nav. Sound signal +	spare3	SparesFr-to-RearHarness	spare43	SparesDash
LF-	DISTRIBUTION_SOUND_HARNESS	NavSpk---	Nav. Sound signal -	spare4	SparesEvap.Harness	spare44	SparesDash
LR+	DISTRIBUTION_SOUND_HARNESS	OR	TagUnloadValve	spare5	SparesEvap.Harness	spare45	SparesFr-to-RearHarness
LR-	DISTRIBUTION_SOUND_HARNESS	ORB4	TagUnload	spare6	SparesEvap.Harness	spare46	SparesFr-to-RearHarness
LX5	ClusterKeyPad	PwrOA34		spare7	SparesEvap.Harness	spare49	SparesEngineCradle
LX6	ClusterKeyPad	PwrOA37		spare8	SparesEvap.Harness	spare50	SparesEngineCradle
LX7	ClusterKeyPad	Rem1	Remote Control Navigator	spare9	SparesEvap.Harness	spare51	SparesEngineCradle
LX16	ClusterKeyPad	Rem2	Remote Control Navigator	spare10	SparesInteriorLtsHarness	spare52	SparesEngineCradle
LX21	ClusterKeyPad	Rem3	Remote Control Navigator	spare11	SparesInteriorLtsHarness	spare53	SparesEngineCradle
L_DRIVER	SOUND_SYSTEM	RED	jack_3_5mm	spare12	SparesInteriorHarness	spare54	SparesEngineCradle
MUTE	SOUND_SYSTEM	RED1	SOUND_SYSTEM	spare13	SparesInteriorHarness	spare55	SparesEnginesAccessories
N1	A41Address	RED2	SOUND_SYSTEM	spare14	SparesInteriorHarness	spare56	SparesEnginesAccessories
N2	A41Address	Ref1	GndPassengerSensor	spare15	SparesInteriorHarness	spare57	SparesEnginesAccessories
N3	A42Address	RF+	DISTRIBUTION_SOUND	spare16	SparesInteriorHarness	spare58	SparesEnginesAccessories

# CIRCUITNUMBERLISTING

CircuitID	Description	CircuitID	Description
spare59	SparesEnginesAccessories	WC6	WCLRemoteCtrl
spare60	SparesEnginesAccessories	WC7	WCL
spare61	SparesEnginesAccessories	WHITE	jack_3_5mm
spare62	spareABSHarness	WHT1	SOUND_SYSTEM
spare63	spareABSHarness	WHT2	SOUND_SYSTEM
spare64	SapreTransmission	Y1A	DirectLighting
spare65	SparesTransmission	Y1B	DirectLighting
spare68	SPARE_SOUND_SYSTEM	Y2A	DirectLighting
spWcl1	SpareWCL	Y2B	DirectLighting
spWcl2	SpareWCL	Y3A	DirectLighting
SR13	FR_SPEAKER_HARNESS_	Y3B	DirectLighting
SR24	FR_SPEAKER_HARNESS_	Y4A	DirectLighting
SR35	FR_SPEAKER_HARNESS_	Y4B	DirectLighting
SR46	FR_SPEAKER_HARNESS_	Y5A	DirectLighting
SR57	FR_SPEAKER_HARNESS_	Y5B	DirectLighting
SR68	FR_SPEAKER_HARNESS_	Y6A	DirectLighting
SR911	FR_SPEAKER_HARNESS_	Y6B	DirectLighting
SR1012	R_SPEAKER_HARNESS_WCL	Y7A	DirectLighting
SR1113	R_SPEAKER_HARNESS_WCL	Y7B	DirectLighting
SR1214	R_SPEAKER_HARNESS_WCL	zf1	SteeringCtrl
SR1315	R_SPEAKER_HARNESS_WCL	zf2	SteeringCtrl
SR1416	R_SPEAKER_HARNESS_WCL		
Sub1+	SUBWOOFER_HARNESS		
Sub1-	SUBWOOFER_HARNESS		
Sub2+	SUBWOOFER_HARNESS		
Sub2-	SUBWOOFER_HARNESS		
SW	ZFtransmission		
TRIG1	SOUND_SYSTEM		
TRIG2	SOUND_SYSTEM		
TRIG3	SOUND_SYSTEM		
TRIG4	SOUND_SYSTEM		
TRIG5	SOUND_SYSTEM		
TxD	ComputerSignals		
VCAM	Camera video signal		
VHSRL+	Sound_System		
VHS_Gnd	Sound_System		
VHS_RL+	Sound_System		
WC2	WCLRemoteCtrl		
WC3	WCLRemoteCtrl		
WC4	WCLRemoteCtrl		

## CIRCUITNUMBERLISTING

CircuitID	Description	CircuitID	Description	CircuitID	Description	CircuitID	Description
2	DoorUnlockSig	0Lav2	GndAisleLamps	12MEM	SOUND_SYSTEM	17	UpperWasherSwSignal
2B	CondSndSpdSig	0Lav3	GndEmergencyLampsRH	12SS	Power_Harness	18	Wip.WasherLevel
3	DoorLatchSig	0Lav4	GndAisleLampsLH	12SS1	SOUND_SYSTEM	19A	TagUnload
4A	HostessChimeSig	0P	Galley	12SS2	SOUND_SYSTEM	19B	TagUnload
4C	HostessChimeSig	0PR1	EntranceCeilingLtGnd	12VA	12vEqualizer	20	
5	UpperDefrostfan	0PR2	GndWatchYourStep	12VD1	12VDFrontWake-up	21	FlasherLHSig
6	GndWitnessSw24	0PR3	UpperDefrosterGnd	12VD3	12vRearwake-up	21A	FrontFlasher
7	GndDriverSensor	0R	GndPrimePump	12VD4	12vDDDR	21AA	FlashersRearLH
8	GndParkBrakeSol	0RA2	GndCoolantsensor	12VDCust	12VDCustomer	21B	CorneringLtsLH
9	EngCmpt.LtsSwitch	0RA3	GndR1-R3	12VDF	12VDtoFrontVec	22	HazardSwSig
9A	EngineDoorOpenSig	0RB1	LavatoryGnd	12VI	12VItoCB10	23	FlasherRHSig
9B	EngineCmpt.Lt	0RB3	GndRearClearanceLts	12VI1	12VIofA44	23A	FrontFlasherRH
9H	9v reverse signal	0RB4	GndGalley	12VI2	MirrorPwr	23AA	FrontFlasherRHSide
0A	Evap.Gnd	0RB5	GndPre-Heat	12VI3	PwrOutletDrawer	23B	CorneringLtsRH
00A	GndElectronic	0RB6	RJBGndCustomer	12VI4	PwrOutletandCigarLighter	24	MasterRelayPwr
0B	EngineChassisGnd	0RC2	GndDriverCylinder	12VI5	12VItoVECR	24A	BoosterBlock
00B	ElectronicGndofMuxModules	0RC3	GndR23	12VI6	PwrtoModuleA50	24CO	PwrtoExcitationResistor
0C	GndStarter	0RC4	GndEntranceLights	12VI7		24D	24DtoCB6
0CD	SOUND_SYSTEM	0SA1	GndAlternator	12VI8		24DZ	ZFTransmission
0CE	ChassisGndtoA47A48	0SA2	GndAlternator	12VI9	TireMonitoringPwr	24E	24VItoCB1
00D	RJBajarSignal	0SS	Parcel_Rack_Pwr	12VICust	12VICustomer	24FPS	
0EV1	GndCondensor	0SS1	SOUND_SYSTEM	12VIF	12VItoFrontVec	24GA	Galley
0EV2	GndHvac	0SS2	SOUND_SYSTEM	12VISS1	SOUNDSYSTEM	24IZ	ZFTransmission
0EV3	GndPRackLH	0SS3	SOUND_SYSTEM	12VISS2	SOUND_SYSTEM	24ND	
0EV6	RHP-RackMotorGnd	0SS4	SOUND_SYSTEM	12VISS3	SOUND_SYSTEM	24P	
0F	FJBDoorOpenSig	0V	LuggageDoorOpenSig	12VISS4	SOUND_SYSTEM	24PV	Galley
0FA1	GndofAccessoires	0VE	EqualizerGnd	12VISS5	SOUND_SYSTEM	24PVA	Galley
0FA4	GndPwrOutlet	0W	WCLGnd	12VIZF	ZFsterringControl	24SS	Power_Harness
0FB1	E-RideGnd	0WC	WCLRemoteCtrl	12W	DoorUnlockSol	24SS1	SOUND_SYSTEM
0FB2	GndSw28	0Y	GndChassistoABSModule	12WA	DoorFullOpenSig	24SS2	SOUND_SYSTEM
0FB3	GndMasterId	10	LuggageCmpt.LtsPwr	12WUp1	12VWUptoA48	24SS11	SOUND_SYSTEM
0FC1	left/right_luggage_door_lock	10A	LuggageCmpt.LtsPwr	12Wup1	12WUpFront	24SS12	SOUND_SYSTEM
0FC4	ElectricalHorn	10R	LuggageDoorOpenSig	12Wup2	12WUptoDash	24SS13	SOUND_SYSTEM
0FE	Gnd	11		12WUp5	PwrtoModuleA51	24SS21	SOUND_SYSTEM
0FE1	Gnd	12A	12VDtoR3	13	SignalToPre-heatrelay	24SS22	SOUND_SYSTEM
0FE2	Gnd	12B	12VDtoCB4	14A	FlushingPumpSig	24VA	24vEquitlizer
0G	GndofA54	12CD	SOUND_SYSTEM	15	UpperWipInt.Signal	24VD	24VDEng.StartSw83
0K	AirDryer	12DZ	ZFTransmission	15A	UpperWip.1StSpdSig	24VD1	24VDDriverLiq
0Lav	GndReadingLamps	12F	12VDto12PostRJB	16	SpeedSignal	24VD2	24VDtoRearVec
0Lav1	GndDirectLights	12H	DestinationSignPower	16A	UpperWasherPump	24VD3	24VDofCECM

## CIRCUITNUMBERLISTING

CircuitID	Description	CircuitID	Description	CircuitID	Description	CircuitID	Description
24VD4	24VDFrontWake-up	32D		53E	LowerWiper1stSpd	70D	HatRackLighting
24VD5	24VDtoPre-Heat	32EE	UpperWiperMotor	53F	LowerWasherPump	70E	GndHatRackLamps
24VD6	24VDPre-Heat	33	UnloaderLH	53G	LowerWip1stSpd	70F	GndHatRackLamps
24VD7	PassandPRackPwr	34	ParkBrakeReleaseSignal	53H	LowerWiper	70G	GndHatRackLamps
24VD8		35	EntranceDoorLights	54	TestSwitch	70H	GndHatRackLamps
24VDCust	24VDCustomer	35A	WatchYourStepLts	55	LuggageLockSol	70J	GndHatRackLamps
24VI	24VI	36	EngineBrake	55R	left/right_luggage_door_lock	71	UpperDefrostPump
24VI1	24VItoRearVec	38	DirectLights	57A	WaterPump	71A	DockingLtsLH
24VI2	24VI	38A	DirectLights	57G	Pre-HeatWebasto	72A	DockingLtsRH
24VI3	UpperWip.MotorPwr	38AA	DirectLightsRHRicon	57GA	Pre-HeattoWtrPmpRly	72B	SunVisorRHSig
24VI4	SunVisorsPwr	38BB	DirectLightsLH	57H	Pre-HeattoWtrPmpRly	72C	SunVisorSignal
24VI5	24VlofMuxmodules	38C	DirectLightSwSig	57L	Hi-Beam	72D	SunVisorRHSig
24VI6	PwrtoDefrostUnit	39	DriverLtSwSig	57R	HighBeamRH	72E	SunVisorRHSig
24VI7	LowerWiperPwr	39D	DriverLt	57Rtn	SignalRtnHeadLtsLH	72F	SunVisorSignal
24VI8	24VItoMux	40	WitnessGnd	58L	LowBeam	73	HostessChimePwr
24VI9	24VlofA54	41	24VCondensior	58R	LowBeamRH	73A	RearOccupiedSig
24VI9A	24VlofA54	41A	CondensiorPwr	58Rtn	HeadLampRHRtn	74	ReadingLampSig
24VI9B	24VlofA54	42A	12VCondensior	59	Hi/LowBeamSignal	74A	ReadingLampsRH
24VI10	24VI	43	PRackRH	60	FogsLtsSwSig	74B	ReadingLampsLH
24VI12	RJBLightPwr	43F	WitnessGndSw27	61	HeadLtsSig	74C	ReadingLamp
24VIA	Cut-outPneumaticAcc	43G	PassandPRackLiquidValve	62	FrontOccupiedLts	74D	ReadingLamps
24VICust	24VICustomer	43H	PassandPRackLiquidValve	62B	LavatoryLts	75	ReadingLampsRH
24VIF	24VItoFrontVEC	44	P-RackLHFan	63	ClearanceLts	75A	ReadingLampsLH
24WC	WCL24VIPower	45	UpperFanSig	63A	FrontClearanceLts	76	FuelLevelSig
24WUp1	24WUpFront	45A	PassengerHeatSig	63C	CtrlHeadBacklight	76C	FuelLowLevelSig
24Wup1	24WUpFront	46	FrontFlasherRh	64	EmergencyLampsSig	76P	PrimePumpSig
25	EngineRunSignal	46A	FrontMarkers	64A	Blinker	77	TransducerHi-Side
25A1	ExcitationSignal	47	DoorOpenSignal	65	FootDamper	77B	PassandPRackLiquidValve
25A2	ExcitationSignal	47A	DoorOpenSignal	65A	FootDamper	77BA	A/CClutch
26	DriverWdoPwr	48A	DoorOpenSol	65D	DriverCylinder	77C	PassandPRackLiquidValve
26A	DriverWdo	49	DoorCloseSignal	65P	Pass.Cylinder	78	StopLightSensorSig
26B	DriverWdo	49A	DoorCloseSol	66	MarkersSigSw2	79	DecelSignal
26C	DriverWdo	50	WitnessGndSig	67	EvaporatorPwr	80	StopLightSensorSig
27A	EmergencySwSig	51	WitnessGnd	67A	Condensior1stSpdSig	81	HeadLtCallSw1
28	AudibleRlySig	52B	PneumaticHorn	68	DashDamper	82A	CyclopeLamp
30A	Galley	53	LowerWip.Spd1Sig	68A	DashDamper	82Low	StopRearLowerLamp
31	UnloaderRH	53A	ElectricalHorn	69	ElectricalHorn	82Up	StopRearUpperLamps
31B	WiperIntermitentSignal	53B	LowerWip.Spd2Sig	70A	HatRackLighting	83	24vAccessories
31EE	UpperWipSpd.1	53C	LowerWip.IntSig	70B	HatRackLighting	84	StartSigSw83
32A	BackupLtandalarm	53D	LowerWip.WasherSwSig	70C	HatRackLighting	84A	StartSigSw83



## CIRCUITNUMBERLISTING

CircuitID	Description	CircuitID	Description	CircuitID	Description	CircuitID	Description
84B	StartSigSw83	100D	IndirectLightPwr	133C	Galley	150	Transmission
85	24VIgnition	101	PwrtoStarter	134	Galley	151	GndtoEcm
85A	Ign-AccSignal	102A	Alternator	134A	Galley	151A	GndtoEcm
85B	Ign-AccSignal	103	LowBuoySig	134B	Galley	151B	GndtoEcm
85C	PositionNormalSw58	105	FogLtsLH	135	Transmission	151C	GndtoEcm
85D	RearStartPwr	106	FogLtRH	135A	HandLevelSig	151D	GndtoEcm
85E	RearStartSignal	111	Transmission	136	Transmission	152	Transmission
85F	EgnineStartPwrSw58	114	BacklightPwr	136A		154	Transmission
85G	Ign-AccSignal	114A	Backlight	136AA	ShifterSignal	155	Transmission
85X	24VIgn	114AA	ClusterKeyPadBacklight	136C	Galley	155Z	ZFTransmission
85Y	ABSTTLT	115	CoolantLevelSignal	137	ServiceBrakeSig	156A	12VltoABS
85Z	AbsTrailerWarningSignal	115A	WitnessPwr	137A	MirrorPwrSig	157B	
86	DefrostunitSpd	115W		137B	Mirrors	157D	ATCTTLT
86Rtn	GndDefrostUnit	116	DriverLiq	137C	Mirrors	159	Transmission
87	TrailerParkBrakeSig	116A	DriverLiq	137D	Mirrors	160	TagSignal
88	TransducerPwr	119	Transmission	137E	Mirrors	163	RetarderSig
89	DriverSensorSig	120	Transmission	137F	Mirrors	164	HandLevelSig
90H	24VltoEvap	122	DigitalClock	137H	Mirrors	166	WitnessSigSw16
90H1	Evaporator	123	FireAlarm	137J	Mirrors	170C	left/right_luggage_door_lock
91	ParkBrakeSig	124A		137K	Mirrors	170E	LuggageLockSwSig
91B	WitnessSigSw14	125		137L	Mirrors	170H	LuggageUnlockSol
92	TrailerParkBrakeSig	126A	KneelingUpSwSig	137M	Mirrors	170HR	left/right_luggage_door_lock
95		126B	KneelingDownSwSig	138	Transmission	171	LuggageUnlockSwSig
96		126C	ProximitySwSig	138A	ABSSensor	174	Transmission
99	Sw20Gnd	126D	ProximitySwPwr	139	Transmission	175	Transmission
00A1	GndElectronic	126E	Kneeling15PsiPress.Sw.	140	Transmission	175C	TagUnload
00B1	GndEng.Start	126F	KneelingDownSol	141	Transmission	176	Transmission
0G1	Galley	126G	KneelingUpSol	142	ABSSolenoid	177	Transmission
0V1	LuggageDoorOpenSig	126H	KneelingCtrl.Sol	143	ABSSensor	180	Transmission
0V2	LuggageDoorOpenSig	126J	KneelingHi-BuoySol	143A	ABSSensor	181	OutsideSensorSig
0V3	LuggageDoorOpenSig	126JR	GndKneeling	144	ABSSensor	197	FuelFilterSig
0Y2	GndChassisABSSol	126P	KneelingBuzzer	144A	ABSSensor	201	Headlampcleaningsignal
0Y3	GndSignal	127	Transmission	145	ABSSolenoid	202	headlampcleaningpump
0Z0	GndZFTrans.	127D	ChargerRlyGndSig	146	ABSSolenoid	225	LavatoryFan
0Z1	ZFTransmission	128		146A		231	Neutral
0Z2	ZFTransmission	128B	Pre-HeatTTLT	147	EtherSignal	231A	StarterRelay
100	IndirectLight	131	Transmission	147A	EtherSolenoid	231B	StarterRelay
100A	IndirectLight	133	Transmission	148	Transmission	240	
100B	IndirectLightLH	133A	Galley	149	Transmission	240A	PowertoEcm
100C	IndirectLightsSig	133B	Galley	149A	ABSSensor	240B	PowertoEcm

# CIRCUITNUMBERLISTING

CircuitID	Description	CircuitID	Description	CircuitID	Description	CircuitID	Description
241		417	ThrottlePositionSignal	916	5VSensorPwr	CanH1	
241A	PowerToEcm	419	CheckEng.TTLT	917	ZFTransmission	CanHInA34	
241B	PowerToEcm	439	IgnitionToEcm	919	ZFTransmission	CanHOut	
253	Galley	509	StopEng.TTLT	925	ZFTransmission	CanH_ERide	
253A	Galley	510	FastIdleSignal	926	ZFTransmission	CanH_In	
254	Galley	510A	FastIdleSignal	930	ZFTransmission	CanL	CanLSignal
254F	Galley	524		932	ZFTransmission	CanL1	
255	Galley	524B	IdleValidationSig	952	GndSensorRtn	CanLInA34	
255B	Galley	528	OverrideSignal	953	GndEcm	CanLOut	
255BA	Galley	541	CruiseSetSig	953A	ThrottleInhibit	CanL_ERide	
260	WindowAjarSig	542	ParkBrakeSig	979		CanL_In	
290	GndFanClutch	544	CruiseEnableSig	979A		CanL_Out	
291	FanClutch	544A	CruiseOn-OffLed	ANT	SOUND_SYSTEM	Cd	ComputerSignals
292	FanClutch	545	CruiseResumeSig	AUX1	SOUND_SYSTEM	Cd1	ComputerSignals
293	FanClutchSwSig	555	FanClutchSignal	Aux1_Gnd	SOUND_SYSTEM	Cd1_Gnd	SOUND_SYSTEM
300	WCLTopLightSliding	556		Aux1_L+	SOUND_SYSTEM	Cd1_L+	SOUND_SYSTEM
301	WheelChairLiftSwitch	563	FanClutchSignal	Aux1_R+	SOUND_SYSTEM	Cd1_R+	SOUND_SYSTEM
302	WCLRicon	564	StarterLockout	AUX2	SOUND_SYSTEM	Cd2_Gnd	SOUND_SYSTEM
302A	WCLSlidingdoorSig	564B	OutZFDecelSig	Aux2_Gnd	SOUND_SYSTEM	Cd2_L+	SOUND_SYSTEM
303	WCLRicon	565	Eng.BrakeActive	Aux2_L+	SOUND_SYSTEM	Cd2_R+	SOUND_SYSTEM
304	WheelChairLift	583	EngineBrakeHiSig	Aux_R+	SOUND_SYSTEM	CD3_Gnd	SOUND_SYSTEM
305	ParkBrakeSol	700	ZFTransmission	B1A	DirectLighting	CD3_L+	SOUND_SYSTEM
305A	WCLUpperDoorSignal	701	ZFTransmission	B1B	DirectLighting	CD3_R+	SOUND_SYSTEM
306	WCLTopLights	705	ZFTransmission	B2A	DirectLighting	Chgr	BatteryChargerGnd
307		706	ZFTransmission	B2B	DirectLighting	Chgr_C	SOUND_SYSTEM
308	WCL	707	ZFTransmission	B3A	DirectLighting	Chgr_L	SOUND_SYSTEM
309	WCL	717	ZFTransmission	B3B	DirectLighting	Chgr_R	SOUND_SYSTEM
311		719	ZFTransmission	B4A	DirectLighting	Cts	ComputerSignals
313		723	ZFTransmission	B4B	DirectLighting	D1	UpperWiperMotor
341	PowerProtectionPanel	740	ZFTransmission	B5A	DirectLighting	DATA	SOUND_SYSTEM
342	FireExting.Gnd	761	ZFTransmission	B5B	DirectLighting	DBusH	DBusSignal
343	Fire-EngineStopTTL	770	ZFTransmission	B6A	DirectLighting	DBusL	DBusSignal
343A		900	J1587	B6B	DirectLighting	DSL+++	DRIVER_SPEAKERS
344	ExtinguisherSignal	901	J1587L	B7A	DirectLighting	DSL---	DRIVER_SPEAKERS
345	ManualSignal	902	ZFTransmission	B7B	DirectLighting	DSR+++	DRIVER_SPEAKERS
346	PowerSensors	905	TCISensorSig	BLK1	SOUND_SYSTEM	DSR---	DRIVER_SPEAKERS
347	FireSignal	906	ZFTransmission	BLK2	SOUND_SYSTEM	DVD1_Gnd	Sound_System
348	PowerManualSignal	907	ZFTransmission	Bref1	PassengerSensor	DVD1_L+	Sound_System
351	EngineShout-downSignal	910	L_SPEAKER_HARNESS	CAM2	SOUND_SYSTEM	DVD1_R+	Sound_System
352	OverrideSignal	911	EmergencyCutoutRlySignal	CanH	CanHSignal	Dvd2_Gnd	SOUND_SYSTEM

# CIRCUITNUMBERLISTING

CircuitID	Description	CircuitID	Description	CircuitID	Description	CircuitID	Description
Dvd2_L+	SOUND_SYSTEM	N4	A42Adress	RF-	DISTRIBUTION_SOUND_HARNESS	spare17	SparesFr-to-RearHarness
Dvd2_R+	SOUND_SYSTEM	N5	A43Adress	RR+	DISTRIBUTION_SOUND_HARNESS	spare18	SparesFr-to-RearHarness
FAKE	L_SPEAKER_HARNESS	N6	A43Adress	RR-	SOUND_SYSTEM	spare19	SparesFr-to-RearHarness
FAKE1	R_SPEAKER_HARNESS	N7	A44Adress	RT	ZFTtransmission	spare20	SparesClearanceLts
GndA	ComputerSignals	N8	A44Adress	R_DRIVER	SOUND_SYSTEM	spare21	SparesClearanceLts
GndOA34		N9	A45Adress	Rts	ComputerSignals	spare22	SparesClearanceLts
GndOA37		N10	A45Adress	RTV	SOUND_SYSTEM	spare23	SparesClearanceLts
GRN1	SOUND_SYSTEM	N11	A46Adress	RxD	ComputerSignals	spare24	SparesClearanceLts
GRN2	SOUND_SYSTEM	N12	A46Adress	SHD1	SOUND_SYSTEM	spare25	SparesClearanceLts
H1_L+	SOUND_SYSTEM	N13	A47Adress	SHD2	SOUND_SYSTEM	spare26	SparesFrontHarness
H1_L-	SOUND_SYSTEM	N14	A47Adress	SHIELD	jack_3_5mm	spare27	SparesFrontHarness
H1_R+	SOUND_SYSTEM	N15	A48Adress	Shield		spare28	SparesFrontHarness
H1_R-	SOUND_SYSTEM	N16	A48Adress	SHLD	SOUND_SYSTEM	spare29	SparesFrontHarness
H2_L+	SOUND_SYSTEM	N17	A49Adress	SL13	L_SPEAKER_HARNESS	spare30	SparesFrontHarness
H2_L-	SOUND_SYSTEM	N18	A49Adress	SL24	L_SPEAKER_HARNESS	spare31	SparesFrontHarness
H2_R+	SOUND_SYSTEM	N19	A50Adress	SL35	L_SPEAKER_HARNESS	spare32	SparesFrontHarness
H2_R-	SOUND_SYSTEM	N20	A50Adress	SL46	L_SPEAKER_HARNESS	spare33	SparesFrontHarness
HOSTESS	SOUND_SYSTEM	N21	A51Adress	SL57	L_SPEAKER_HARNESS	spare34	SparesFrontHarness
IPJ1	Cluster	N22	A51Adress	SL68	L_SPEAKER_HARNESS	spare35	SparesFrontHarness
IPJ2	Cluster	N23	A52Adress	SL1012	L_SPEAKER_HARNESS	spare36	SparesFrontHarness
IPJ5	Cluster	N24	A52Adress	SL1113	L_SPEAKER_HARNESS	spare37	SparesFrontHarness
IPJ6	Cluster	N25	A53Adress	SL1214	L_SPEAKER_HARNESS	spare38	SparesFrontHarness
IPJ7	Cluster	N26	A53Adress	SL1315	L_SPEAKER_HARNESS	spare39	SparesDash
IPJ8	Cluster	N27	A54Adress	SL1416	L_SPEAKER_HARNESS	spare40	SparesDash
J1939H	J1939Signals	N28	A54Adress	sp52	EvaporatorEngageSig	spare41	SparesDash
J1939L	J1939Signals	N29	A36Adress	spare2	SparesFr-to-RearHarness	spare42	SparesDash
LF+	DISTRIBUTION_SOUND_HARNESS	NavSpk+++	Nav. Sound signal +	spare3	SparesFr-to-RearHarness	spare43	SparesDash
LF-	DISTRIBUTION_SOUND_HARNESS	NavSpk---	Nav. Sound signal -	spare4	SparesEvap.Harness	spare44	SparesDash
LR+	DISTRIBUTION_SOUND_HARNESS	OR	TagUnloadValve	spare5	SparesEvap.Harness	spare45	SparesFr-to-RearHarness
LR-	DISTRIBUTION_SOUND_HARNESS	ORB4	TagUnload	spare6	SparesEvap.Harness	spare46	SparesFr-to-RearHarness
LX5	ClusterKeyPad	PwrOA34		spare7	SparesEvap.Harness	spare49	SparesEngineCradle
LX6	ClusterKeyPad	PwrOA37		spare8	SparesEvap.Harness	spare50	SparesEngineCradle
LX7	ClusterKeyPad	Rem1	Remote Control Navigator	spare9	SparesEvap.Harness	spare51	SparesEngineCradle
LX16	ClusterKeyPad	Rem2	Remote Control Navigator	spare10	SparesInteriorLtsHarness	spare52	SparesEngineCradle
LX21	ClusterKeyPad	Rem3	Remote Control Navigator	spare11	SparesInteriorLtsHarness	spare53	SparesEngineCradle
L_DRIVER	SOUND_SYSTEM	RED	jack_3_5mm	spare12	SparesInteriorHarness	spare54	SparesEngineCradle
MUTE	SOUND_SYSTEM	RED1	SOUND_SYSTEM	spare13	SparesInteriorHarness	spare55	SparesEnginesAccessories
N1	A41Adress	RED2	SOUND_SYSTEM	spare14	SparesInteriorHarness	spare56	SparesEnginesAccessories
N2	A41Adress	Ref1	GndPassengerSensor	spare15	SparesInteriorHarness	spare57	SparesEnginesAccessories
N3	A42Adress	RF+	DISTRIBUTION_SOUND	spare16	SparesInteriorHarness	spare58	SparesEnginesAccessories

# CIRCUITNUMBERLISTING

CircuitID	Description	CircuitID	Description
spare59	SparesEnginesAccessories	WC6	WCLRemoteCtrl
spare60	SparesEnginesAccessories	WC7	WCL
spare61	SparesEnginesAccessories	WHITE	jack_3_5mm
spare62	spareABSHarness	WHT1	SOUND_SYSTEM
spare63	spareABSHarness	WHT2	SOUND_SYSTEM
spare64	SapreTransmission	Y1A	DirectLighting
spare65	SparesTransmission	Y1B	DirectLighting
spare68	SPARE_SOUND_SYSTEM	Y2A	DirectLighting
spWcl1	SpareWCL	Y2B	DirectLighting
spWcl2	SpareWCL	Y3A	DirectLighting
SR13	FR_SPEAKER_HARNESS_	Y3B	DirectLighting
SR24	FR_SPEAKER_HARNESS_	Y4A	DirectLighting
SR35	FR_SPEAKER_HARNESS_	Y4B	DirectLighting
SR46	FR_SPEAKER_HARNESS_	Y5A	DirectLighting
SR57	FR_SPEAKER_HARNESS_	Y5B	DirectLighting
SR68	FR_SPEAKER_HARNESS_	Y6A	DirectLighting
SR911	FR_SPEAKER_HARNESS_	Y6B	DirectLighting
SR1012	R_SPEAKER_HARNESS_WCL	Y7A	DirectLighting
SR1113	R_SPEAKER_HARNESS_WCL	Y7B	DirectLighting
SR1214	R_SPEAKER_HARNESS_WCL	zf1	SteeringCtrl
SR1315	R_SPEAKER_HARNESS_WCL	zf2	SteeringCtrl
SR1416	R_SPEAKER_HARNESS_WCL		
Sub1+	SUBWOOFER_HARNESS		
Sub1-	SUBWOOFER_HARNESS		
Sub2+	SUBWOOFER_HARNESS		
Sub2-	SUBWOOFER_HARNESS		
SW	ZFTransmission		
TRIG1	SOUND_SYSTEM		
TRIG2	SOUND_SYSTEM		
TRIG3	SOUND_SYSTEM		
TRIG4	SOUND_SYSTEM		
TRIG5	SOUND_SYSTEM		
TxD	ComputerSignals		
VCAM	Camera video signal		
VHSRL+	Sound_System		
VHS_Gnd	Sound_System		
VHS_RL+	Sound_System		
WC2	WCLRemoteCtrl		
WC3	WCLRemoteCtrl		
WC4	WCLRemoteCtrl		

# CIRCUITS LIST

CircuitID	Description	CircuitID	Description	CircuitID	Description
2	DoorUnlockSig	0P	Galley	12VD2	12VD_CPC
2B	CondSndSpdSig	0PR1	EntranceCeilingLtGnd	12VD3	12vRearwake-up
3	DoorLatchSig	0PR2	GndWatchYourStep	12VD4	12vDDDR
4A	SOUND_SYSTEM	0PR3	UpperDefrosterGnd	12VDCust	12VDCustomer
4C	HostessChimeSig	0R	GndPrimePump	12VDF	12VDtoFrontVec
5	UpperDefrostfan	0RA2	GndCoolantsensor	12VI	12VtoCB10
6	GndWitnessSw24	0RA3	GndR1-R3	12VI1	12VtofA44
7	GndDriverSensor	0RB1	LavatoryGnd	12VI2	MirrorPwr
8	GndParkBrakeSol	0RB3	GndRearClearanceLts	12VI3	PwrOutletDrawer
9	EngCmpt.LtsSwitch	0RB4	GndGalley	12VI4	PwrOutletandCigarLighter
9A	EngineDoorOpenSig	0RB5	GndPre-Heat	12VI5	12VtoVECR
9B	EngineCmpt.Lt	0RB6	RJBGndCustomer	12VI6	PwrtoModuleA50
9H	BACK_UP	0RC2	GndDriverCylinder	12VI7	
0A	Evap.Gnd	0RC3	GndR23	12VI8	
00A	GndElectronic	0RC4	GndEntranceLights	12VI9	TireMonitoringPwr
0B	EngineChassisGnd	0SA1	GndAlternator	12VICust	12VICustomer
00B	ElectronicGndofMuxModules	0SA2	GndAlternator	12VIF	12VtoFrontVec
0C	GndStarter	0SS	SOUND_SYSTEM	12VIF19	
0CD	SOUND_SYSTEM	0SS1	SOUND_SYSTEM	12VISS1	SOUND_SYSTEM
0CE	ChassisGndtoA47	0SS2	SOUND_SYSTEM	12VISS2	SOUND_SYSTEM
00D	RJBAjarSignal	0SS3	SOUND_SYSTEM	12VISS3	SOUND_SYSTEM
0EV1	GndCondensor	0SS4	SOUND_SYSTEM	12VISS4	SOUND_SYSTEM
0EV2	GndHvac	0V	LuggageDoorOpenSig	12VISS5	SOUND_SYSTEM
0EV3	GndPRackLH	0VE	EqualizerGnd	12VIZF	ZFsterringControl
0EV6	RHP-RackMotorGnd	0W	WCLGnd	12W	DoorUnlockSol
0F	FJBDdoorOpenSig	0WC	WCLRemoteCtrl	12WA	DoorFullOpenSig
0FA1	GndofAccessoires	0Y		12WUp1	12VWUptoA48
0FA4	GndPwrOutlet	10	LuggageCmpt.LtsPwr	12Wup1	12WUpFront
0FB1	E-RideGnd	10A	LuggageCmpt.LtsPwr	12Wup2	12WUptoDash
0FB2	GndSw28	10R	LuggageDoorOpenSig	12WUp5	PwrtoModuleA51
0FB3	GndMasterld	11		13	SignalToPre-heatrelay
0FC1	left/right_luggage_door_lock	12A	12VDtoR3	14A	FlushingPumpSig
0FC4	ElectricalHorn	12B	12VDtoCB4	15	UpperWipInt.Signal
0FE	Gnd	12CD	SOUND_SYSTEM	15A	UpperWip.1StSpdSig
0FE1	Gnd	12CPC	12vWupCPC	16	SpeedSignal
0FE2	Gnd	12F	12VDto12PostRJB	16A	UpperWasherPump
0G	GndofA54	12H	DestinationSignPower	17	UpperWasherSwSignal
0K	AirDryer	12MEM	SOUND_SYSTEM	18	Wip.WasherLevel
0Lav	GndReadingLamps	12SS	Power_Harness	19A	TagUnload
0Lav1	GndDirectLights	12SS1	SOUND_SYSTEM	19B	TagUnload
0Lav2	GndAisleLamps	12SS2	SOUND_SYSTEM	20	
0Lav3	GndEmergencyLampsRH	12VA	12vEqualizer	21	FlasherLHSig
0Lav4	GndAisleLamosLH	12VD1	12VDFrontWake-up	21A	FrontFlasher

# CIRCUITS LIST

CircuitID	Description	CircuitID	Description	CircuitID	Description
21AA	FlashersRearLH	24VI4	SunVisorsPwr	40	WitnessGnd
21B	CorneringLtsLH	24VI5	24VlofMuxmodules	41	24VCondensor
22	HazardSwSig	24VI6	PwrtoDefrostUnit	41A	CondensorPwr
23	FlasherRHSig	24VI7	LowerWiperPwr	42A	12VCondensor
23A	FrontFlasherRH	24VI8	24VltoMux	43	PRackRH
23AA	FrontFlasherRHSide	24VI9	24VlofA54	43F	WitnessGndSw27
23B	CorneringLtsRH	24VI9A	24VlofA54	43G	PassandPRackLiquidValve
24	MasterRelayPwr	24VI9B	24VlofA54	43H	PassandPRackLiquidValve
24A	BoosterBlock	24VI10	24VI	44	P-RackLHFan
24CO	PwrtoExcitationResistor	24VI12	RJBLightPwr	45	UpperFanSig
24D	24DtoCB6	24VIA	Cut-outPneumaticAcc	45A	PassengerHeatSig
24DZ	ZFTransmission	24VICust	24VICustomer	46	FrontFlasherRh
24E	24VltoCB1	24VIF	24VltoFrontVEC	46A	FrontMarkers
24FPS		24WC	WCL24VIPower	47	DoorOpenSignal
24GA	Galley	24WUp1	24WUpFront	47A	DoorOpenSignal
24IZ	ZFTransmission	24Wup1	24WUpFront	48A	DoorOpenSol
24ND		25	EngineRunSignal	49	DoorCloseSignal
24P		25A1	ExcitationSignal	49A	DoorCloseSol
24PV	Galley	25A2	ExcitationSignal	50	WitnessGndSig
24PVA	Galley	26	DriverWdoPwr	51	WitnessGnd
24SS	Power_Harness	26A	DriverWdo	52B	PneumaticHorn
24SS1	SOUND_SYSTEM	26B	DriverWdo	53	LowerWip.Spd1Sig
24SS2	SOUND_SYSTEM	26C	DriverWdo	53A	ElectricalHorn
24SS11	SOUND_SYSTEM	27A	EmergencySwSig	53B	LowerWip.Spd2Sig
24SS12	SOUND_SYSTEM	28	AudibleRlySig	53C	LowerWip.IntSig
24SS13	Flip_Down_Screen	30A	Galley	53D	LowerWip.WasherSwSig
24SS21	SOUND_SYSTEM	31	UnloaderRH	53E	LowerWiper1stSpd
24SS22	SOUND_SYSTEM	31B	WiperIntermitentSignal	53F	LowerWasherPump
24VA	24vEquilizer	31EE	UpperWipSpd.1	53G	LowerWip1stSpd
24VD	24VDEng.StartSw83	32A	BackupLtandalarm	53H	LowerWiper
24VD1	24VDDriverLiq	32D	BACK_UP	54	TestSwitch
24VD2	24VDtoRearVec	32EE	UpperWiperMotor	55	LuggageLockSol
24VD3	24VDofCECM	33	UnloaderLH	55R	left/right_luggage_door_lock
24VD4	24VDFrontWake-up	34	ParkBrakeReleaseSignal	57A	WaterPump
24VD5	24VDtoPre-Heat	35	EntranceDoorLights	57G	Pre-HeatWebasto
24VD6	24VDPre-Heat	35A	WatchYourStepLts	57GA	Pre-HeattoWtrPmpRly
24VD7	PassandPRackPwr	38	DirectLights	57H	Pre-HeattoWtrPmpRly
24VD8		38A	DirectLights	57L	Hi-Beam
24VDCust	24VDCustomer	38AA	DirectLightsRHRicon	57R	HighBeamRH
24VI	24VI	38BB	DirectLightsLH	57Rtn	SignalRtnHeadLtsLH
24VI1	24VltoRearVec	38C	DirectLightSwSig	58L	LowBeam
24VI2	24VI	39	DriverLtSwSig	58R	LowBeamRH
24VI3	UpperWip.MotorPwr	39D	DriverLt	58Rtn	HeadLampRHRtn

# CIRCUITS LIST

CircuitID	Description	CircuitID	Description	CircuitID	Description
59	Hi/LowBeamSignal	74C	ReadingLamp	95	
60	FogsLtsSwSig	74D	ReadingLamps	96	
61	HeadLtsSig	75	ReadingLampsRH	99	Sw20Gnd
62	FrontOccupiedLts	75A	ReadingLampsLH	00A1	GndElectronic
62B	LavatoryLts	76	FuelLevelSig	00B1	GndEng.Start
63	ClearanceLts	76C	FuelLowLevelSig	0G1	Galley
63A	FrontClearanceLts	76P	PrimePumpSig	0V1	LuggageDoorOpenSig
63C	CtrlHeadBacklight	77	TransducerHi-Side	0V2	LuggageDoorOpenSig
64	EmergencyLampsSig	77B	PassandPRackLiquidValve	0V3	LuggageDoorOpenSig
64A	Blinker	77BA	A/CCLutch	0Y2	GndChassisABSSol
65	FootDamper	77C	PassandPRackLiquidValve	0Y3	GndChassisABSSol
65A	FootDamper	78	ServiceBrakeSignal	0Z0	GndZFTrans.
65D	DriverCylinder	79	DecelSignal	0Z1	ZFTransmission
65P	Pass.Cylinder	79A	DecelSignal	0Z2	ZFTransmission
66	MarkersSigSw2	81	HeadLtCallSw1	100	IndirectLight
67	EvaporatorPwr	82A	CyclopelLamp	100A	IndirectLight
67A	Condensor1stSpdSig	82Low	StopRearLowerLamp	100B	IndirectLightLH
68	DashDamper	82Up	StopRearUpperLamps	100C	IndirectLightsSig
68A	DashDamper	83	24v_Accessories	100D	IndirectLightPwr
69	ElectricalHorn	84	StartSigSw83	101	PwrtoStarter
70A	HatRackLighting	84A	StartSigSw83	102A	Alternator
70B	HatRackLighting	84B	StartSigSw83	103	LowBuoySig
70C	HatRackLighting	85	24VIgnition	105	FogLtsLH
70D	HatRackLighting	85A	Ign-AccSignal	106	FogLtRH
70E	GndHatRackLamps	85B	Ign-AccSignal	111	Transmission
70F	GndHatRackLamps	85C	PositionNormalSw58	114	BacklightPwr
70G	GndHatRackLamps	85D	RearStartPwr	114A	Backlight
70H	GndHatRackLamps	85E	RearStartSignal	114AA	ClusterKeyPadBacklight
70J	GndHatRackLamps	85F	EgnineStartPwrSw58	115	CoolantLevelSignal
71	UpperDefrostPump	85G	Ign-AccSignal	115A	WitnessPwr
71A	DockingLtsLH	85X	24VIgn	115W	
72A	DockingLtsRH	85Y		116	DriverLiq
72B	SunVisorRHSig	85Z	AbsTrailerWarningSignal	116A	DriverLiq
72C	SunVisorSignal	86	DefrostunitSpd	119	Transmission
72D	SunVisorRHSig	86Rtn	GndDefrostUnit	120	Transmission
72E	SunVisorRHSig	87		122	DigitalClock
72F	SunVisorSignal	88	TransducerPwr	123	FireAlarm
73	HostessChimePwr	89	DriverSensorSig	124A	
73A	RearOccupiedSig	90H	24VltoEvap	125	
73B	RearOccupiedSig	90H1	Evaporator	126A	KneelingUpSwSig
74	ReadingLampSig	91	ParkBrakeSig	126B	KneelingDownSwSig
74A	ReadingLampsRH	91B	WitnessSigSw14	126C	ProximitySwSig
74B	ReadingLampsLH	92	TrailerParkBrakeSig	126D	ProximitySwPwr

# CIRCUITS LIST

CircuitID	Description	CircuitID	Description	CircuitID	Description
126E	Kneeling15PsiPress.Sw.	143	ABSSensor	202	headlampcleaningpump
126F	KneelingDownSol	143A	ABSSensor	225	LavatoryFan
126G	KneelingUpSol	144	ABSSensor	231	Neutral
126H	KneelingCtrl.Sol	144A	ABSSensor	231A	StarterRelay
126J	KneelingHi-BuoySol	145	ABSSolenoid	231B	StarterRelay
126JR	GndKneeling	146	ABSSolenoid	240	
126P	KneelingBuzzer	146A	ZFTtransmission	240A	PowertoEcm
127	Transmission	147	EtherSignal	240B	PowertoEcm
127D	ChargerRlyGndSig	147A	EtherSolenoid	241	
128		148	Transmission	241A	PowertoEcm
128B	Pre-HeatTTLT	149	Transmission	241B	PowertoEcm
131	Transmission	149A	ABSSensor	253	Galley
133	Transmission	150	Transmission	253A	Galley
133A	Galley	151	GndtoEcm	254	Galley
133B	Galley	151A	GndtoEcm	254F	Galley
133C	Galley	151B	GndtoEcm	255	Galley
134	Galley	151C	GndtoEcm	255B	Galley
134A	Galley	151D	GndtoEcm	255BA	Galley
134B	Galley	152	Transmission	260	WindowAjarSig
135	Transmission	154	Transmission	290	GndFanClutch
135A	HandLevelSig	155	Transmission	291	FanClutch
136	Transmission	155Z	ZFTtransmission	292	FanClutch
136A		156A	12VltoABS	293	FanClutchSwSig
136AA	ShifterSignal	157D	ATCTTLT	300	WCLTopLightSliding
136C	Galley	159	Transmission	301	WheelChairLiftSwitch
137		160	TagSignal	302	WCLRicon
137A	MirrorPwrSig	163	RetarderSig	302A	WCLSlidingdoorSig
137B	Mirrors	164	HandLevelSig	303	WCLRicon
137C	Mirrors	166	WitnessSigSw16	304	WheelChairLift
137D	Mirrors	170C	left/right_luggage_door_lock	305	ParkBrakeSol
137E	Mirrors	170E	LuggageLockSwSig	305A	WCLUpperDoorSignal
137F	Mirrors	170H	LuggageUnlockSol	306	WCLTopLights
137H	Mirrors	170HR	left/right_luggage_door_lock	307	
137J	Mirrors	171	LuggageUnlockSwSig	308	WCL
137K	Mirrors	174	Transmission	309	WCL
137L	Mirrors	175	Transmission	311	
137M	Mirrors	175C	TagUnload	313	
138	Transmission	176	Transmission	341	PowerProtectionPanel
138A	ABSSensor	177	Transmission	342	FireExting.Gnd
139	Transmission	180	Transmission	343	Fire-EngineStopTTL
140	Transmission	181	OutsideSensorSig	343A	
141	Transmission	197	FuelFilterSig	344	ExtinguisherSignal
142	ABSSolenoid	201	Headlampcleaninasional	345	ManualSignal



# CIRCUITS LIST

CircuitID	Description	CircuitID	Description	CircuitID	Description
346	PowerSensors	609	ABSPressuresensor	B1A	DirectLighting
347	FireSignal	610	ABSPressuresensor	B1B	DirectLighting
348	PowerManualSignal	611	AbsTagSolenoid	B2A	DirectLighting
351	EngineShout-downSignal	612	AbsTagSolenoid	B2B	DirectLighting
352	OverrideSignal	613	ABSSteeringSolenoid	B3A	DirectLighting
417	ThrottlePositionSignal	614	ABSSteeringSolenoid	B3B	DirectLighting
419	CheckEng.TTLT	615	ABStrailersolenoid	B4A	DirectLighting
439		616	ABStrailersolenoid	B4B	DirectLighting
503	MILLamp	617	ABStrailersolenoid	B5A	DirectLighting
504	HiExhaustTempLamp	705	ZFTransmission	B5B	DirectLighting
505	DPFSensor	706	ZFTransmission	B6A	DirectLighting
506	DPFSensor	707	ZFTransmission	B6B	DirectLighting
507	DPFSensor	719	ZFTransmission	B7A	DirectLighting
508	DPFSensor	723	ZFTransmission	B7B	DirectLighting
509	StopEng.TTLT	740	ZFTransmission	BLK1	SOUND_SYSTEM
510	FastIdleSignal	770	ZFTransmission	BLK2	SOUND_SYSTEM
511	DPFSensor	900	J1587	Bref1	PassengerSensor
512	DPFSensor	901	J1587	CAM2	SOUND_SYSTEM
513	DPFSensor	902	ZFTransmission	CanH	CanHSignal
514	DPFSensor	906	ZFTransmission	CanH1	
524B	IdleValidationSig	907	ZFTransmission	CanHInA34	
524C	IdleValidationSig	910	L_SPEAKER_HARNES	CanHOut	
528	OverrideSignal	911	EmergencyCutoutRlySignal	CanH_ERide	
541	CruiseSetSig	916	5VSensorPwr	CanH_In	
544	CruiseOn_OffSignal	917	ZFTransmission	CanL	CanLSignal
544A	CruiseOn-OffLed	919	ZFTransmission	CanL1	
545	CruiseResumeSig	925	ZFTransmission	CanLInA34	
555	FanClutchSignal	926	ZFTransmission	CanLOut	
563	FanClutchSignal	930	ZFTransmission	CanL_ERide	
564B	OutZFDecelSig	932	ZFTransmission	CanL_In	
565	Eng.BrakeActive	952	GndSensorRtn	CanL_Out	
583	EngineBrakeHiSig	953	Electronic_ground_DDEC_VI	Cd	ComputerSignals
600	ABSSensor	979	EngineBrakeMedSig	Cd1	ComputerSignals
600A	ABSSensor	979A	EngineBrakeMedSig	Cd1_Gnd	SOUND_SYSTEM
601	ABSSensor	ANT	SOUND_SYSTEM	Cd1_L+	SOUND_SYSTEM
601A	ABSSensor	AUX1	SOUND_SYSTEM	Cd1_R+	SOUND_SYSTEM
602	ABSSteering&Yawsensor	Aux1_Gnd	SOUND_SYSTEM	Cd2_Gnd	SOUND_SYSTEM
603	ABSSteering&Yawsensor	Aux1_L+	SOUND_SYSTEM	Cd2_L+	SOUND_SYSTEM
604	ABSSteering&Yawsensor	Aux1_R+	SOUND_SYSTEM	Cd2_R+	SOUND_SYSTEM
605	ABSSteering&Yawsensor	AUX2	SOUND_SYSTEM	CD3_Gnd	SOUND_SYSTEM
606	ABSPressuresensor	Aux2_Gnd	SOUND_SYSTEM	CD3_L+	SOUND_SYSTEM
607	ABSPressuresensor	Aux2_L+	SOUND_SYSTEM	CD3_R+	SOUND_SYSTEM
608	ABSPressuresensor	Aux R+	SOUND SYSTEM	Char	BatteryCharaerGnd

# CIRCUITS LIST

CircuitID	Description	CircuitID	Description	CircuitID	Description
Chgr_C	SOUND_SYSTEM	IPJ7	Cluster	N28	A54Address
Chgr_L	SOUND_SYSTEM	IPJ8	Cluster	N29	A36Address
Chgr_R	SOUND_SYSTEM	IPOD	IPOD_OPTION	NavSpk+++	GPS
Cts	ComputerSignals	J1939H	J1939Signals	NavSpk---	GPS
D1	UpperWiperMotor	J1939L	J1939Signals	OR	TagUnloadValve
DATA	SOUND_SYSTEM	LF+	PSRCEL_RACK_SOUND_HARNESS	ORA2	GndR25etR11
DBusH	DBusSignal	LF-	SOUND_SYSTEM	ORB4	TagUnload
DBusL	DBusSignal	LR+	PSRCEL_RACK_SOUND_HARNESS	PwrOA34	
DOWN	Flip_Down_Screen	LR-	SOUND_SYSTEM	PwrOA37	
DSL+++	GPS	LX5	ClusterKeyPad	RED	jack_3_5mm
DSL---	GPS	LX6	ClusterKeyPad	RED1	SOUND_SYSTEM
DSR+++	GPS	LX7	ClusterKeyPad	RED2	SOUND_SYSTEM
DSR---	DRIVER_SPEAKERS	LX16	ClusterKeyPad	Ref1	GndPassengerSensor
DVD1_Gnd	Sound_System	LX21	ClusterKeyPad	Rem1	GPS
DVD1_L+	Sound_System	L_DRIVER	SOUND_SYSTEM	Rem2	GPS
DVD1_R+	Sound_System	Mute	GPS	Rem3	GPS
Dvd2_Gnd	SOUND_SYSTEM	N1	A41Address	RF+	SOUND_SYSTEM
Dvd2_L+	SOUND_SYSTEM	N2	A41Address	RF-	SOUND_SYSTEM
Dvd2_R+	SOUND_SYSTEM	N3	A42Address	RR+	SOUND_SYSTEM
Engine_Can+	EngineCan	N4	A42Address	RR-	SOUND_SYSTEM
Engine_Can-	EngineCan	N5	A43Address	RT	ZFTransmission
Engine_Can_Shield	EngineCan	N6	A43Address	Rts	ComputerSignals
FAKE	L_SPEAKER_HARNESS	N7	A44Address	RTV	SOUND_SYSTEM
FAKE1	R_SPEAKER_HARNESS	N8	A44Address	R_DRIVER	SOUND_SYSTEM
FLIP	Flip_Down_Screen	N9	A45Address	RxD	ComputerSignals
GndA	ComputerSignals	N10	A45Address	SHD1	SOUND_SYSTEM
GndOA34		N11	A46Address	SHD2	SOUND_SYSTEM
GndOA37		N12	A46Address	SHIELD	jack_3_5mm
GRN1	SOUND_SYSTEM	N13	A47Address	SHLD	SOUND_SYSTEM
GRN2	SOUND_SYSTEM	N14	A47Address	SL13	L_SPEAKER_HARNESS
H1_L+	SOUND_SYSTEM	N15	A48Address	SL24	L_SPEAKER_HARNESS
H1_L-	SOUND_SYSTEM	N16	A48Address	SL35	L_SPEAKER_HARNESS
H1_R+	SOUND_SYSTEM	N17	A49Address	SL46	L_SPEAKER_HARNESS
H1_R-	SOUND_SYSTEM	N18	A49Address	SL57	L_SPEAKER_HARNESS
H2_L+	SOUND_SYSTEM	N19	A50Address	SL68	L_SPEAKER_HARNESS
H2_L-	SOUND_SYSTEM	N20	A50Address	SL1012	L_SPEAKER_HARNESS
H2_R+	SOUND_SYSTEM	N21	A51Address	SL1113	L_SPEAKER_HARNESS
H2_R-	SOUND_SYSTEM	N22	A51Address	SL1214	L_SPEAKER_HARNESS
HOSTESS	SOUND_SYSTEM	N23	A52Address	SL1315	L_SPEAKER_HARNESS
IPJ1	Cluster	N24	A52Address	SL1416	L_SPEAKER_HARNESS
IPJ2	Cluster	N25	A53Address	sp52	EvaporatorEngageSig
IPJ5	Cluster	N26	A53Address	spare2	SparesFr-to-RearHarness
IPJ6	Cluster	N27	A54Address	spare3	SparesFr-to-RearHarness

# CIRCUITS LIST

CircuitID	Description	CircuitID	Description	CircuitID	Description
spare4	SparesEvap.Harness	spare49	SparesEngineCradle	UP	Flip_Down_Screen
spare5	SparesEvap.Harness	spare50	SparesEngineCradle	VCAM+++	BACK_UP
spare6	SparesEvap.Harness	spare51	SparesEngineCradle	VCAM----	BACK_UP
spare7	SparesEvap.Harness	spare52	SparesEngineCradle	VHS_Gnd	Sound_System
spare8	SparesEvap.Harness	spare53	SparesEngineCradle	VHS_RL+	Sound_System
spare9	SparesEvap.Harness	spare54	SparesEngineCradle	V_CAM+++	BACK_UP
spare10	SparesInteriorLtsHarness	spare55	SparesEnginesAccessories	V_CAM---	BACK_UP
spare11	SparesInteriorLtsHarness	spare56	SparesEnginesAccessories	WC2	WCLRemoteCtrl
spare12	SparesInteriorHarness	spare57	SparesEnginesAccessories	WC3	WCLRemoteCtrl
spare13	SparesInteriorHarness	spare58	SparesEnginesAccessories	WC4	WCLRemoteCtrl
spare14	SparesInteriorHarness	spare59	SparesEnginesAccessories	WC6	WCLRemoteCtrl
spare15	SparesInteriorHarness	spare60	SparesEnginesAccessories	WC7	WCL
spare16	SparesInteriorHarness	spare61	SparesEnginesAccessories	WHITE	jack_3_5mm
spare17	SparesFr-to-RearHarness	spare62	spareABSHarness	WHT1	SOUND_SYSTEM
spare18	SparesFr-to-RearHarness	spare63	spareABSHarness	WHT2	SOUND_SYSTEM
spare19	SparesFr-to-RearHarness	spare64	SapreTransmission	Y1A	DirectLighting
spare20	SparesClearanceLts	spare65	SparesTransmission	Y1B	DirectLighting
spare21	SparesClearanceLts	spare68	SPARE_SOUND_SYSTEM	Y2A	DirectLighting
spare22	SparesClearanceLts	spWcl1	SpareWCL	Y2B	DirectLighting
spare23	SparesClearanceLts	spWcl2	SpareWCL	Y3A	DirectLighting
spare24	SparesClearanceLts	SR13	FR_SPEAKER_HARNESS_	Y3B	DirectLighting
spare25	SparesClearanceLts	SR24	FR_SPEAKER_HARNESS_	Y4A	DirectLighting
spare26	SparesFrontHarness	SR35	FR_SPEAKER_HARNESS_	Y4B	DirectLighting
spare27	SparesFrontHarness	SR46	FR_SPEAKER_HARNESS_	Y5A	DirectLighting
spare28	SparesFrontHarness	SR57	FR_SPEAKER_HARNESS_	Y5B	DirectLighting
spare29	SparesFrontHarness	SR68	FR_SPEAKER_HARNESS_	Y6A	DirectLighting
spare30	SparesFrontHarness	SR911	R_SPEAKER_HARNESS_WCL	Y6B	DirectLighting
spare31	SparesFrontHarness	SR1012	R_SPEAKER_HARNESS_WCL	Y7A	DirectLighting
spare32	SparesFrontHarness	SR1113	R_SPEAKER_HARNESS_WCL	Y7B	DirectLighting
spare33	SparesFrontHarness	SR1214	R_SPEAKER_HARNESS_WCL	zf1	SteeringCtrl
spare34	SparesFrontHarness	SR1315	R_SPEAKER_HARNESS_WCL	zf2	SteeringCtrl
spare35	SparesFrontHarness	SR1416	R_SPEAKER_HARNESS_WCL	ZF_Can1_H	ZFTransmission
spare36	SparesFrontHarness	Sub1+	SUBWOOFER_HARNESS	ZF_Can1_L	ZFTransmission
spare37	SparesFrontHarness	Sub1-	SUBWOOFER_HARNESS	ZF_Can2_H	ZFTransmission
spare38	SparesFrontHarness	Sub2+	SUBWOOFER_HARNESS	ZF_Can2_L	ZFTransmission
spare39	SparesDash	Sub2-	SUBWOOFER_HARNESS		
spare40	SparesDash	SW	ZFTransmission		
spare41	SparesDash	TRIG1	SOUND_SYSTEM		
spare42	SparesDash	TRIG2	SOUND_SYSTEM		
spare43	SparesDash	TRIG3	SOUND_SYSTEM		
spare44	SparesDash	TRIG4	SOUND_SYSTEM		
spare45	SparesFr-to-RearHarness	TRIG5	SOUND_SYSTEM		
spare46	SparesFr-to-RearHarness	TxD	ComputerSignals		

# CIRCUITS LIST

CircuitID	Description	CircuitID	Description	CircuitID	Description
2	DoorUnlockSig	0P	Galley	12VD2	12VD_CPC
2B	CondSndSpdSig	0PR1	EntranceCeilingLtGnd	12VD3	12vRearwake-up
3	DoorLatchSig	0PR2	GndWatchYourStep	12VD4	12vDDDR
4A	SOUND_SYSTEM	0PR3	UpperDefrosterGnd	12VDCust	12VDCustomer
4C	HostessChimeSig	0R	GndPrimePump	12VDF	12VDtoFrontVec
5	UpperDefrostfan	0RA2	GndCoolantsensor	12VI	12VtoCB10
6	GndWitnessSw24	0RA3	GndR1-R3	12VI1	12VtofA44
7	GndDriverSensor	0RB1	LavatoryGnd	12VI2	MirrorPwr
8	GndParkBrakeSol	0RB3	GndRearClearanceLts	12VI3	PwrOutletDrawer
9	EngCmpt.LtsSwitch	0RB4	GndGalley	12VI4	PwrOutletandCigarLighter
9A	EngineDoorOpenSig	0RB5	GndPre-Heat	12VI5	12VtoVECR
9B	EngineCmpt.Lt	0RB6	RJBGndCustomer	12VI6	PwrtoModuleA50
9H	BACK_UP	0RC2	GndDriverCylinder	12VI7	
0A	Evap.Gnd	0RC3	GndR23	12VI8	
00A	GndElectronic	0RC4	GndEntranceLights	12VI9	TireMonitoringPwr
0B	EngineChassisGnd	0SA1	GndAlternator	12VICust	12VICustomer
00B	ElectronicGndofMuxModules	0SA2	GndAlternator	12VIF	12VtoFrontVec
0C	GndStarter	0SS	SOUND_SYSTEM	12VIF19	
0CD	SOUND_SYSTEM	0SS1	SOUND_SYSTEM	12VISS1	SOUND_SYSTEM
0CE	ChassisGndtoA47	0SS2	SOUND_SYSTEM	12VISS2	SOUND_SYSTEM
00D	RJBAjarSignal	0SS3	SOUND_SYSTEM	12VISS3	SOUND_SYSTEM
0EV1	GndCondensor	0SS4	SOUND_SYSTEM	12VISS4	SOUND_SYSTEM
0EV2	GndHvac	0V	LuggageDoorOpenSig	12VISS5	SOUND_SYSTEM
0EV3	GndPRackLH	0VE	EqualizerGnd	12VIZF	ZFsterringControl
0EV6	RHP-RackMotorGnd	0W	WCLGnd	12W	DoorUnlockSol
0F	FJBDdoorOpenSig	0WC	WCLRemoteCtrl	12WA	DoorFullOpenSig
0FA1	GndofAccessoires	0Y		12WUp1	12VWUptoA48
0FA4	GndPwrOutlet	10	LuggageCmpt.LtsPwr	12Wup1	12WUpFront
0FB1	E-RideGnd	10A	LuggageCmpt.LtsPwr	12Wup2	12WUptoDash
0FB2	GndSw28	10R	LuggageDoorOpenSig	12WUp5	PwrtoModuleA51
0FB3	GndMasterId	11		13	SignalToPre-heatrelay
0FC1	left/right_luggage_door_lock	12A	12VDtoR3	14A	FlushingPumpSig
0FC4	ElectricalHorn	12B	12VDtoCB4	15	UpperWipInt.Signal
0FE	Gnd	12CD	SOUND_SYSTEM	15A	UpperWip.1StSpdSig
0FE1	Gnd	12CPC	12vWupCPC	16	SpeedSignal
0FE2	Gnd	12F	12VDto12PostRJB	16A	UpperWasherPump
0G	GndofA54	12H	DestinationSignPower	17	UpperWasherSwSignal
0K	AirDryer	12MEM	SOUND_SYSTEM	18	Wip.WasherLevel
0Lav	GndReadingLamps	12SS	Power_Harness	19A	TagUnload
0Lav1	GndDirectLights	12SS1	SOUND_SYSTEM	19B	TagUnload
0Lav2	GndAisleLamps	12SS2	SOUND_SYSTEM	20	
0Lav3	GndEmergencyLampsRH	12VA	12vEqualizer	21	FlasherLHSig
0Lav4	GndAisleLamosLH	12VD1	12VDFrontWake-up	21A	FrontFlasher

# CIRCUITS LIST

CircuitID	Description	CircuitID	Description	CircuitID	Description
21AA	FlashersRearLH	24VI4	SunVisorsPwr	40	WitnessGnd
21B	CorneringLtsLH	24VI5	24VlofMuxmodules	41	24VCondensor
22	HazardSwSig	24VI6	PwrtoDefrostUnit	41A	CondensorPwr
23	FlasherRHSig	24VI7	LowerWiperPwr	42A	12VCondensor
23A	FrontFlasherRH	24VI8	24VltoMux	43	PRackRH
23AA	FrontFlasherRHSide	24VI9	24VlofA54	43F	WitnessGndSw27
23B	CorneringLtsRH	24VI9A	24VlofA54	43G	PassandPRackLiquidValve
24	MasterRelayPwr	24VI9B	24VlofA54	43H	PassandPRackLiquidValve
24A	BoosterBlock	24VI10	24VI	44	P-RackLHFan
24CO	PwrtoExcitationResistor	24VI12	RJBLightPwr	45	UpperFanSig
24D	24DtoCB6	24VIA	Cut-outPneumaticAcc	45A	PassengerHeatSig
24DZ	ZFTransmission	24VICust	24VICustomer	46	FrontFlasherRh
24E	24VltoCB1	24VIF	24VltoFrontVEC	46A	FrontMarkers
24FPS		24WC	WCL24VIPower	47	DoorOpenSignal
24GA	Galley	24WUp1	24WUpFront	47A	DoorOpenSignal
24IZ	ZFTransmission	24Wup1	24WUpFront	48A	DoorOpenSol
24ND		25	EngineRunSignal	49	DoorCloseSignal
24P		25A1	ExcitationSignal	49A	DoorCloseSol
24PV	Galley	25A2	ExcitationSignal	50	WitnessGndSig
24PVA	Galley	26	DriverWdoPwr	51	WitnessGnd
24SS	Power_Harness	26A	DriverWdo	52B	PneumaticHorn
24SS1	SOUND_SYSTEM	26B	DriverWdo	53	LowerWip.Spd1Sig
24SS2	SOUND_SYSTEM	26C	DriverWdo	53A	ElectricalHorn
24SS11	SOUND_SYSTEM	27A	EmergencySwSig	53B	LowerWip.Spd2Sig
24SS12	SOUND_SYSTEM	28	AudibleRlySig	53C	LowerWip.IntSig
24SS13	Flip_Down_Screen	30A	Galley	53D	LowerWip.WasherSwSig
24SS21	SOUND_SYSTEM	31	UnloaderRH	53E	LowerWiper1stSpd
24SS22	SOUND_SYSTEM	31B	WiperIntermitentSignal	53F	LowerWasherPump
24VA	24vEquilizer	31EE	UpperWipSpd.1	53G	LowerWip1stSpd
24VD	24VDEng.StartSw83	32A	BackupLtandalarm	53H	LowerWiper
24VD1	24VDDriverLiq	32D	BACK_UP	54	TestSwitch
24VD2	24VDtoRearVec	32EE	UpperWiperMotor	55	LuggageLockSol
24VD3	24VDofCECM	33	UnloaderLH	55R	left/right_luggage_door_lock
24VD4	24VDFrontWake-up	34	ParkBrakeReleaseSignal	57A	WaterPump
24VD5	24VDtoPre-Heat	35	EntranceDoorLights	57G	Pre-HeatWebasto
24VD6	24VDPre-Heat	35A	WatchYourStepLts	57GA	Pre-HeattoWtrPmpRly
24VD7	PassandPRackPwr	38	DirectLights	57H	Pre-HeattoWtrPmpRly
24VD8		38A	DirectLights	57L	Hi-Beam
24VDCust	24VDCustomer	38AA	DirectLightsRHRicon	57R	HighBeamRH
24VI	24VI	38BB	DirectLightsLH	57Rtn	SignalRtnHeadLtsLH
24VI1	24VltoRearVec	38C	DirectLightSwSig	58L	LowBeam
24VI2	24VI	39	DriverLtSwSig	58R	LowBeamRH
24VI3	UpperWip.MotorPwr	39D	DriverLt	58Rtn	HeadLampRHRtn

# CIRCUITS LIST

CircuitID	Description	CircuitID	Description	CircuitID	Description
59	Hi/LowBeamSignal	74C	ReadingLamp	95	
60	FogsLtsSwSig	74D	ReadingLamps	96	
61	HeadLtsSig	75	ReadingLampsRH	99	Sw20Gnd
62	FrontOccupiedLts	75A	ReadingLampsLH	00A1	GndElectronic
62B	LavatoryLts	76	FuelLevelSig	00B1	GndEng.Start
63	ClearanceLts	76C	FuelLowLevelSig	0G1	Galley
63A	FrontClearanceLts	76P	PrimePumpSig	0V1	LuggageDoorOpenSig
63C	CtrlHeadBacklight	77	TransducerHi-Side	0V2	LuggageDoorOpenSig
64	EmergencyLampsSig	77B	PassandPRackLiquidValve	0V3	LuggageDoorOpenSig
64A	Blinker	77BA	A/CCLutch	0Y2	GndChassisABSSol
65	FootDamper	77C	PassandPRackLiquidValve	0Y3	GndChassisABSSol
65A	FootDamper	78	ServiceBrakeSignal	0Z0	GndZFTrans.
65D	DriverCylinder	79	DecelSignal	0Z1	ZFTransmission
65P	Pass.Cylinder	79A	DecelSignal	0Z2	ZFTransmission
66	MarkersSigSw2	81	HeadLtCallSw1	100	IndirectLight
67	EvaporatorPwr	82A	CyclopelLamp	100A	IndirectLight
67A	Condensor1stSpdSig	82Low	StopRearLowerLamp	100B	IndirectLightLH
68	DashDamper	82Up	StopRearUpperLamps	100C	IndirectLightsSig
68A	DashDamper	83	24v_Accessories	100D	IndirectLightPwr
69	ElectricalHorn	84	StartSigSw83	101	PwrtoStarter
70A	HatRackLighting	84A	StartSigSw83	102A	Alternator
70B	HatRackLighting	84B	StartSigSw83	103	LowBuoySig
70C	HatRackLighting	85	24VIgnition	105	FogLtsLH
70D	HatRackLighting	85A	Ign-AccSignal	106	FogLtRH
70E	GndHatRackLamps	85B	Ign-AccSignal	111	Transmission
70F	GndHatRackLamps	85C	PositionNormalSw58	114	BacklightPwr
70G	GndHatRackLamps	85D	RearStartPwr	114A	Backlight
70H	GndHatRackLamps	85E	RearStartSignal	114AA	ClusterKeyPadBacklight
70J	GndHatRackLamps	85F	EgnineStartPwrSw58	115	CoolantLevelSignal
71	UpperDefrostPump	85G	Ign-AccSignal	115A	WitnessPwr
71A	DockingLtsLH	85X	24VIgn	115W	
72A	DockingLtsRH	85Y		116	DriverLiq
72B	SunVisorRHSig	85Z	AbsTrailerWarningSignal	116A	DriverLiq
72C	SunVisorSignal	86	DefrostunitSpd	119	Transmission
72D	SunVisorRHSig	86Rtn	GndDefrostUnit	120	Transmission
72E	SunVisorRHSig	87		122	DigitalClock
72F	SunVisorSignal	88	TransducerPwr	123	FireAlarm
73	HostessChimePwr	89	DriverSensorSig	124A	
73A	RearOccupiedSig	90H	24VltoEvap	125	
73B	RearOccupiedSig	90H1	Evaporator	126A	KneelingUpSwSig
74	ReadingLampSig	91	ParkBrakeSig	126B	KneelingDownSwSig
74A	ReadingLampsRH	91B	WitnessSigSw14	126C	ProximitySwSig
74B	ReadingLampsLH	92	TrailerParkBrakeSig	126D	ProximitySwPwr

# CIRCUITS LIST

CircuitID	Description	CircuitID	Description	CircuitID	Description
126E	Kneeling15PsiPress.Sw.	143	ABSSensor	202	headlampcleaningpump
126F	KneelingDownSol	143A	ABSSensor	225	LavatoryFan
126G	KneelingUpSol	144	ABSSensor	231	Neutral
126H	KneelingCtrl.Sol	144A	ABSSensor	231A	StarterRelay
126J	KneelingHi-BuoySol	145	ABSSolenoid	231B	StarterRelay
126JR	GndKneeling	146	ABSSolenoid	240	
126P	KneelingBuzzer	146A	ZFTtransmission	240A	PowertoEcm
127	Transmission	147	EtherSignal	240B	PowertoEcm
127D	ChargerRlyGndSig	147A	EtherSolenoid	241	
128		148	Transmission	241A	PowertoEcm
128B	Pre-HeatTTLT	149	Transmission	241B	PowertoEcm
131	Transmission	149A	ABSSensor	253	Galley
133	Transmission	150	Transmission	253A	Galley
133A	Galley	151	GndtoEcm	254	Galley
133B	Galley	151A	GndtoEcm	254F	Galley
133C	Galley	151B	GndtoEcm	255	Galley
134	Galley	151C	GndtoEcm	255B	Galley
134A	Galley	151D	GndtoEcm	255BA	Galley
134B	Galley	152	Transmission	260	WindowAjarSig
135	Transmission	154	Transmission	290	GndFanClutch
135A	HandLevelSig	155	Transmission	291	FanClutch
136	Transmission	155Z	ZFTtransmission	292	FanClutch
136A		156A	12VltoABS	293	FanClutchSwSig
136AA	ShifterSignal	157D	ATCTTLT	300	WCLTopLightSliding
136C	Galley	159	Transmission	301	WheelChairLiftSwitch
137		160	TagSignal	302	WCLRicon
137A	MirrorPwrSig	163	RetarderSig	302A	WCLSlidingdoorSig
137B	Mirrors	164	HandLevelSig	303	WCLRicon
137C	Mirrors	166	WitnessSigSw16	304	WheelChairLift
137D	Mirrors	170C	left/right_luggage_door_lock	305	ParkBrakeSol
137E	Mirrors	170E	LuggageLockSwSig	305A	WCLUpperDoorSignal
137F	Mirrors	170H	LuggageUnlockSol	306	WCLTopLights
137H	Mirrors	170HR	left/right_luggage_door_lock	307	
137J	Mirrors	171	LuggageUnlockSwSig	308	WCL
137K	Mirrors	174	Transmission	309	WCL
137L	Mirrors	175	Transmission	311	
137M	Mirrors	175C	TagUnload	313	
138	Transmission	176	Transmission	341	PowerProtectionPanel
138A	ABSSensor	177	Transmission	342	FireExting.Gnd
139	Transmission	180	Transmission	343	Fire-EngineStopTTL
140	Transmission	181	OutsideSensorSig	343A	
141	Transmission	197	FuelFilterSig	344	ExtinguisherSignal
142	ABSSolenoid	201	Headlampcleaninasional	345	ManualSignal

# CIRCUITS LIST

CircuitID	Description	CircuitID	Description	CircuitID	Description
346	PowerSensors	609	ABSPressuresensor	B1A	DirectLighting
347	FireSignal	610	ABSPressuresensor	B1B	DirectLighting
348	PowerManualSignal	611	AbsTagSolenoid	B2A	DirectLighting
351	EngineShout-downSignal	612	AbsTagSolenoid	B2B	DirectLighting
352	OverrideSignal	613	ABSSteeringSolenoid	B3A	DirectLighting
417	ThrottlePositionSignal	614	ABSSteeringSolenoid	B3B	DirectLighting
419	CheckEng.TTLT	615	ABStrailersolenoid	B4A	DirectLighting
439		616	ABStrailersolenoid	B4B	DirectLighting
503	MILLamp	617	ABStrailersolenoid	B5A	DirectLighting
504	HiExhaustTempLamp	705	ZFTransmission	B5B	DirectLighting
505	DPFSensor	706	ZFTransmission	B6A	DirectLighting
506	DPFSensor	707	ZFTransmission	B6B	DirectLighting
507	DPFSensor	719	ZFTransmission	B7A	DirectLighting
508	DPFSensor	723	ZFTransmission	B7B	DirectLighting
509	StopEng.TTLT	740	ZFTransmission	BLK1	SOUND_SYSTEM
510	FastIdleSignal	770	ZFTransmission	BLK2	SOUND_SYSTEM
511	DPFSensor	900	J1587	Bref1	PassengerSensor
512	DPFSensor	901	J1587	CAM2	SOUND_SYSTEM
513	DPFSensor	902	ZFTransmission	CanH	CanHSignal
514	DPFSensor	906	ZFTransmission	CanH1	
524B	IdleValidationSig	907	ZFTransmission	CanHInA34	
524C	IdleValidationSig	910	L_SPEAKER_HARNES	CanHOut	
528	OverrideSignal	911	EmergencyCutoutRlySignal	CanH_ERide	
541	CruiseSetSig	916	5VSensorPwr	CanH_In	
544	CruiseOn_OffSignal	917	ZFTransmission	CanL	CanLSignal
544A	CruiseOn-OffLed	919	ZFTransmission	CanL1	
545	CruiseResumeSig	925	ZFTransmission	CanLInA34	
555	FanClutchSignal	926	ZFTransmission	CanLOut	
563	FanClutchSignal	930	ZFTransmission	CanL_ERide	
564B	OutZFDecelSig	932	ZFTransmission	CanL_In	
565	Eng.BrakeActive	952	GndSensorRtn	CanL_Out	
583	EngineBrakeHiSig	953	Electronic_ground_DDEC_VI	Cd	ComputerSignals
600	ABSSensor	979	EngineBrakeMedSig	Cd1	ComputerSignals
600A	ABSSensor	979A	EngineBrakeMedSig	Cd1_Gnd	SOUND_SYSTEM
601	ABSSensor	ANT	SOUND_SYSTEM	Cd1_L+	SOUND_SYSTEM
601A	ABSSensor	AUX1	SOUND_SYSTEM	Cd1_R+	SOUND_SYSTEM
602	ABSSteering&Yawsensor	Aux1_Gnd	SOUND_SYSTEM	Cd2_Gnd	SOUND_SYSTEM
603	ABSSteering&Yawsensor	Aux1_L+	SOUND_SYSTEM	Cd2_L+	SOUND_SYSTEM
604	ABSSteering&Yawsensor	Aux1_R+	SOUND_SYSTEM	Cd2_R+	SOUND_SYSTEM
605	ABSSteering&Yawsensor	AUX2	SOUND_SYSTEM	CD3_Gnd	SOUND_SYSTEM
606	ABSPressuresensor	Aux2_Gnd	SOUND_SYSTEM	CD3_L+	SOUND_SYSTEM
607	ABSPressuresensor	Aux2_L+	SOUND_SYSTEM	CD3_R+	SOUND_SYSTEM
608	ABSPressuresensor	Aux R+	SOUND SYSTEM	Char	BatteryCharaerGnd



# CIRCUITS LIST

CircuitID	Description	CircuitID	Description	CircuitID	Description
Chgr_C	SOUND_SYSTEM	IPJ7	Cluster	N28	A54Address
Chgr_L	SOUND_SYSTEM	IPJ8	Cluster	N29	A36Address
Chgr_R	SOUND_SYSTEM	IPOD	IPOD_OPTION	NavSpk+++	GPS
Cts	ComputerSignals	J1939H	J1939Signals	NavSpk---	GPS
D1	UpperWiperMotor	J1939L	J1939Signals	OR	TagUnloadValve
DATA	SOUND_SYSTEM	LF+	PSRCEL_RACK_SOUND_HARNESS	ORA2	GndR25etR11
DBusH	DBusSignal	LF-	SOUND_SYSTEM	ORB4	TagUnload
DBusL	DBusSignal	LR+	PSRCEL_RACK_SOUND_HARNESS	PwrOA34	
DOWN	Flip_Down_Screen	LR-	SOUND_SYSTEM	PwrOA37	
DSL+++	GPS	LX5	ClusterKeyPad	RED	jack_3_5mm
DSL---	GPS	LX6	ClusterKeyPad	RED1	SOUND_SYSTEM
DSR+++	GPS	LX7	ClusterKeyPad	RED2	SOUND_SYSTEM
DSR---	DRIVER_SPEAKERS	LX16	ClusterKeyPad	Ref1	GndPassengerSensor
DVD1_Gnd	Sound_System	LX21	ClusterKeyPad	Rem1	GPS
DVD1_L+	Sound_System	L_DRIVER	SOUND_SYSTEM	Rem2	GPS
DVD1_R+	Sound_System	Mute	GPS	Rem3	GPS
Dvd2_Gnd	SOUND_SYSTEM	N1	A41Address	RF+	SOUND_SYSTEM
Dvd2_L+	SOUND_SYSTEM	N2	A41Address	RF-	SOUND_SYSTEM
Dvd2_R+	SOUND_SYSTEM	N3	A42Address	RR+	SOUND_SYSTEM
Engine_Can+	EngineCan	N4	A42Address	RR-	SOUND_SYSTEM
Engine_Can-	EngineCan	N5	A43Address	RT	ZFTransmission
Engine_Can_Shield	EngineCan	N6	A43Address	Rts	ComputerSignals
FAKE	L_SPEAKER_HARNESS	N7	A44Address	RTV	SOUND_SYSTEM
FAKE1	R_SPEAKER_HARNESS	N8	A44Address	R_DRIVER	SOUND_SYSTEM
FLIP	Flip_Down_Screen	N9	A45Address	RxD	ComputerSignals
GndA	ComputerSignals	N10	A45Address	SHD1	SOUND_SYSTEM
GndOA34		N11	A46Address	SHD2	SOUND_SYSTEM
GndOA37		N12	A46Address	SHIELD	jack_3_5mm
GRN1	SOUND_SYSTEM	N13	A47Address	SHLD	SOUND_SYSTEM
GRN2	SOUND_SYSTEM	N14	A47Address	SL13	L_SPEAKER_HARNESS
H1_L+	SOUND_SYSTEM	N15	A48Address	SL24	L_SPEAKER_HARNESS
H1_L-	SOUND_SYSTEM	N16	A48Address	SL35	L_SPEAKER_HARNESS
H1_R+	SOUND_SYSTEM	N17	A49Address	SL46	L_SPEAKER_HARNESS
H1_R-	SOUND_SYSTEM	N18	A49Address	SL57	L_SPEAKER_HARNESS
H2_L+	SOUND_SYSTEM	N19	A50Address	SL68	L_SPEAKER_HARNESS
H2_L-	SOUND_SYSTEM	N20	A50Address	SL1012	L_SPEAKER_HARNESS
H2_R+	SOUND_SYSTEM	N21	A51Address	SL1113	L_SPEAKER_HARNESS
H2_R-	SOUND_SYSTEM	N22	A51Address	SL1214	L_SPEAKER_HARNESS
HOSTESS	SOUND_SYSTEM	N23	A52Address	SL1315	L_SPEAKER_HARNESS
IPJ1	Cluster	N24	A52Address	SL1416	L_SPEAKER_HARNESS
IPJ2	Cluster	N25	A53Address	sp52	EvaporatorEngageSig
IPJ5	Cluster	N26	A53Address	spare2	SparesFr-to-RearHarness
IPJ6	Cluster	N27	A54Address	spare3	SparesFr-to-RearHarness

# CIRCUITS LIST

CircuitID	Description	CircuitID	Description	CircuitID	Description
spare4	SparesEvap.Harness	spare49	SparesEngineCradle	UP	Flip_Down_Screen
spare5	SparesEvap.Harness	spare50	SparesEngineCradle	VCAM+++	BACK_UP
spare6	SparesEvap.Harness	spare51	SparesEngineCradle	VCAM----	BACK_UP
spare7	SparesEvap.Harness	spare52	SparesEngineCradle	VHS_Gnd	Sound_System
spare8	SparesEvap.Harness	spare53	SparesEngineCradle	VHS_RL+	Sound_System
spare9	SparesEvap.Harness	spare54	SparesEngineCradle	V_CAM+++	BACK_UP
spare10	SparesInteriorLtsHarness	spare55	SparesEnginesAccessories	V_CAM---	BACK_UP
spare11	SparesInteriorLtsHarness	spare56	SparesEnginesAccessories	WC2	WCLRemoteCtrl
spare12	SparesInteriorHarness	spare57	SparesEnginesAccessories	WC3	WCLRemoteCtrl
spare13	SparesInteriorHarness	spare58	SparesEnginesAccessories	WC4	WCLRemoteCtrl
spare14	SparesInteriorHarness	spare59	SparesEnginesAccessories	WC6	WCLRemoteCtrl
spare15	SparesInteriorHarness	spare60	SparesEnginesAccessories	WC7	WCL
spare16	SparesInteriorHarness	spare61	SparesEnginesAccessories	WHITE	jack_3_5mm
spare17	SparesFr-to-RearHarness	spare62	spareABSHarness	WHT1	SOUND_SYSTEM
spare18	SparesFr-to-RearHarness	spare63	spareABSHarness	WHT2	SOUND_SYSTEM
spare19	SparesFr-to-RearHarness	spare64	SapreTransmission	Y1A	DirectLighting
spare20	SparesClearanceLts	spare65	SparesTransmission	Y1B	DirectLighting
spare21	SparesClearanceLts	spare68	SPARE_SOUND_SYSTEM	Y2A	DirectLighting
spare22	SparesClearanceLts	spWcl1	SpareWCL	Y2B	DirectLighting
spare23	SparesClearanceLts	spWcl2	SpareWCL	Y3A	DirectLighting
spare24	SparesClearanceLts	SR13	FR_SPEAKER_HARNESS_	Y3B	DirectLighting
spare25	SparesClearanceLts	SR24	FR_SPEAKER_HARNESS_	Y4A	DirectLighting
spare26	SparesFrontHarness	SR35	FR_SPEAKER_HARNESS_	Y4B	DirectLighting
spare27	SparesFrontHarness	SR46	FR_SPEAKER_HARNESS_	Y5A	DirectLighting
spare28	SparesFrontHarness	SR57	FR_SPEAKER_HARNESS_	Y5B	DirectLighting
spare29	SparesFrontHarness	SR68	FR_SPEAKER_HARNESS_	Y6A	DirectLighting
spare30	SparesFrontHarness	SR911	R_SPEAKER_HARNESS_WCL	Y6B	DirectLighting
spare31	SparesFrontHarness	SR1012	R_SPEAKER_HARNESS_WCL	Y7A	DirectLighting
spare32	SparesFrontHarness	SR1113	R_SPEAKER_HARNESS_WCL	Y7B	DirectLighting
spare33	SparesFrontHarness	SR1214	R_SPEAKER_HARNESS_WCL	zf1	SteeringCtrl
spare34	SparesFrontHarness	SR1315	R_SPEAKER_HARNESS_WCL	zf2	SteeringCtrl
spare35	SparesFrontHarness	SR1416	R_SPEAKER_HARNESS_WCL	ZF_Can1_H	ZFTransmission
spare36	SparesFrontHarness	Sub1+	SUBWOOFER_HARNESS	ZF_Can1_L	ZFTransmission
spare37	SparesFrontHarness	Sub1-	SUBWOOFER_HARNESS	ZF_Can2_H	ZFTransmission
spare38	SparesFrontHarness	Sub2+	SUBWOOFER_HARNESS	ZF_Can2_L	ZFTransmission
spare39	SparesDash	Sub2-	SUBWOOFER_HARNESS		
spare40	SparesDash	SW	ZFTransmission		
spare41	SparesDash	TRIG1	SOUND_SYSTEM		
spare42	SparesDash	TRIG2	SOUND_SYSTEM		
spare43	SparesDash	TRIG3	SOUND_SYSTEM		
spare44	SparesDash	TRIG4	SOUND_SYSTEM		
spare45	SparesFr-to-RearHarness	TRIG5	SOUND_SYSTEM		
spare46	SparesFr-to-RearHarness	TxD	ComputerSignals		

# CIRCUITS LIST

CircuitID	Description	CircuitID	Description	CircuitID	Description
ZF_Can2_L	ZFTransmission	TRIG5	SOUND_SYSTEM	spare46	SparesFr-to-RearHarness
ZF_Can2_H	ZFTransmission	TRIG4	SOUND_SYSTEM	spare45	SparesFr-to-RearHarness
ZF_Can1_L	ZFTransmission	TRIG3	SOUND_SYSTEM	spare44	SparesDash
ZF_Can1_H	ZFTransmission	TRIG2	SOUND_SYSTEM	spare43	SparesDash
zf2	SteeringCtrl	TRIG1	SOUND_SYSTEM	spare42	SparesDash
zf1	SteeringCtrl	TEST1		spare41	SparesDash
YloRR		TEST		spare40	SparesDash
YloRL		SW	ZFTransmission	spare39	SparesDash
YloFR		Sub2-	SUBWOOFER_HARNESS	spare38	SparesFrontHarness
Y7B	DirectLighting	Sub2+	SUBWOOFER_HARNESS	spare37	SparesFrontHarness
Y7A	DirectLighting	Sub1-	SUBWOOFER_HARNESS	spare36	SparesFrontHarness
Y6B	DirectLighting	Sub1+	SUBWOOFER_HARNESS	spare35	SparesFrontHarness
Y6A	DirectLighting	SR1416	R_SPEAKER_HARNESS_WCL	spare34	SparesFrontHarness
Y5B	DirectLighting	SR1315	R_SPEAKER_HARNESS_WCL	spare33	SparesFrontHarness
Y5A	DirectLighting	SR1214	R_SPEAKER_HARNESS_WCL	spare32	SparesFrontHarness
Y4B	DirectLighting	SR1113	R_SPEAKER_HARNESS_WCL	spare31	SparesFrontHarness
Y4A	DirectLighting	SR1012	R_SPEAKER_HARNESS_WCL	spare30	SparesFrontHarness
Y3B	DirectLighting	SR911	R_SPEAKER_HARNESS_WCL	spare29	
Y3A	DirectLighting	SR68	FR_SPEAKER_HARNESS_	spare28	SparesFrontHarness
Y2B	DirectLighting	SR57	FR_SPEAKER_HARNESS_	spare27	SparesFrontHarness
Y2A	DirectLighting	SR46	FR_SPEAKER_HARNESS_	spare26	SparesFrontHarness
Y1B	DirectLighting	SR35	FR_SPEAKER_HARNESS_	spare25	SparesClearanceLts
Y1A	DirectLighting	SR24	FR_SPEAKER_HARNESS_	spare24	SparesClearanceLts
XM_R-		SR13	FR_SPEAKER_HARNESS_	spare23	SparesClearanceLts
XM_R+		spWcl2	SpareWCL	spare22	SparesClearanceLts
XM_L-		spWcl1	SpareWCL	spare21	SparesClearanceLts
XM_L+		spare65	SparesTransmission	spare20	SparesClearanceLts
WhtRR		spare64	SapreTransmission	spare19	
WhtRL		spare63	spareABSHarness	spare18	
WhtFR		spare62	spareABSHarness	spare17	
WHT2	SOUND_SYSTEM	spare61	SparesEnginesAccessories	spare16	SparesInteriorHarness
WHT1	SOUND_SYSTEM	spare60	SparesEnginesAccessories	spare15	SparesInteriorHarness
WHITE	jack_3_5mm	spare59	SparesEnginesAccessories	spare14	SparesInteriorHarness
WC7	WCL	spare58	SparesEnginesAccessories	spare13	SparesInteriorHarness
WC6	WCLRemoteCtrl	spare57	SparesEnginesAccessories	spare12	SparesInteriorHarness
WC4	WCLRemoteCtrl	spare56		spare11	SparesInteriorLtsHarness
WC3	WCLRemoteCtrl	spare55		spare10	SparesInteriorLtsHarness
WC2	WCLRemoteCtrl	spare54	SparesEngineCradle	spare9	SparesEvap.Harness
VI14		spare53	SparesEngineCradle	spare8	SparesEvap.Harness
UP	Flip_Down_Screen	spare52	SparesEngineCradle	spare7	SparesEvap.Harness
TxD	ComputerSignals	spare51	SparesEngineCradle	spare6	SparesEvap.Harness
TX		spare50	SparesEngineCradle	spare5	SparesEvap.Harness
TRIG SAT		spare49	SparesEngineCradle	spare4	SparesEvap.Harness

# CIRCUITS LIST

CircuitID	Description	CircuitID	Description	CircuitID	Description
spare3		PANA_LR-		LX21	ClusterKeyPad
spare2	SparesFr-to-RearHarness	PANA_L+		LX16	ClusterKeyPad
sp52	EvaporatorEngageSig	ORB4	TagUnload	LX7	ClusterKeyPad
SL1416	L_SPEAKER_HARNESS	ORA2	GndR25etR11	LX6	ClusterKeyPad
SL1315	L_SPEAKER_HARNESS	OR	TagUnloadValve	LX5	ClusterKeyPad
SL1214	L_SPEAKER_HARNESS	OPR1		LR-	SOUND_SYSTEM
SL1113	L_SPEAKER_HARNESS	OFC1		LR+	PSRCEL_RACK_SOUND_HARNESS
SL1012	L_SPEAKER_HARNESS	OFB3		LF-	SOUND_SYSTEM
SL68	L_SPEAKER_HARNESS	NavSpk---	GPS	LF+	PSRCEL_RACK_SOUND_HARNESS
SL57	L_SPEAKER_HARNESS	NavSpk+++	GPS	L+	
SL46	L_SPEAKER_HARNESS	N31	addressA55	J1939L	J1939Signals
SL35	L_SPEAKER_HARNESS	N30	addressA55	J1939H	J1939Signals
SL24	L_SPEAKER_HARNESS	N29	A36Address	IPOD	IPOD_OPTION
SL13	L_SPEAKER_HARNESS	N28	A54Address	IPJ8	Cluster
SHLD2		N27	A54Address	IPJ7	Cluster
SHLD	SOUND_SYSTEM	N26	A53Address	IPJ6	Cluster
SHIELD	jack_3_5mm	N25	A53Address	IPJ5	Cluster
SHD2		N24	A52Address	IPJ2	Cluster
SHD1	SOUND_SYSTEM	N23	A52Address	IPJ1	Cluster
SE1		N22	A51Address	HOSTESS	SOUND_SYSTEM
SAT		N21	A51Address	H2_RL-	
RxD	ComputerSignals	N20	A50Address	H2_R-	SOUND_SYSTEM
R_DRIVER	SOUND_SYSTEM	N19	A50Address	H2_R+	SOUND_SYSTEM
RX		N18	A49Address	H2_L-	SOUND_SYSTEM
RTV	SOUND_SYSTEM	N17	A49Address	H2_L+	SOUND_SYSTEM
Rts	ComputerSignals	N16	A48Address	H1_R-	SOUND_SYSTEM
RT	ZFTransmission	N15	A48Address	H1_R+	SOUND_SYSTEM
RR-	SOUND_SYSTEM	N14	A47Address	H1_L-	SOUND_SYSTEM
RR+	SOUND_SYSTEM	N13	A47Address	H1_L+	SOUND_SYSTEM
RR		N12	A46Address	GRN2	SOUND_SYSTEM
RF-	SOUND_SYSTEM	N11	A46Address	GRN1	SOUND_SYSTEM
RF+	SOUND_SYSTEM	N10	A45Address	GRN	
Rem3	GPS	N9	A45Address	GndOA37	
Rem2	GPS	N8	A44Address	GndOA34	
Rem1	GPS	N7	A44Address	GndA	ComputerSignals
Ref1	GndPassengerSensor	N6	A43Address	fuilf	j
RED2	SOUND_SYSTEM	N5	A43Address	FLIP	Flip_Down_Screen
RED1	SOUND_SYSTEM	N4	A42Address	FAKE1	R_SPEAKER_HARNESS
RED	jack_3_5mm	N3	A42Address	FAKE	L_SPEAKER_HARNESS
R+		N2	A41Address	Engine_Can-	EngineCan
PwrOA37		N1	A41Address	Engine_Can+	EngineCan
PwrOA34		Mute	GPS	Dvd2_R+	SOUND_SYSTEM
PANA R+		L DRIVER	SOUND SYSTEM	Dvd2 L+	SOUND SYSTEM

# CIRCUITS LIST

CircuitID	Description	CircuitID	Description	CircuitID	Description
Dvd2_Gnd	SOUND_SYSTEM	CanH1		911	EmergencyCutoutRlySignal
DVD1_RL-		CanH	CanHSigal	910	L_SPEAKER_HARNESS
DVD1_R+	Sound_System	CAN2-L	EngineCan2	907	ZFTransmission
DVD1_L+	Sound_System	CAN2-H	EngineCan2	906	ZFTransmission
DVD1_Gnd	Sound_System	Bref1	PassengerSensor	902	ZFTransmission
DSR---	DRIVER_SPEAKERS	BikRR		901	900-901
DSR+++	GPS	BikRL		900	900-901
DSL---	GPS	BikFR		770	ZFTransmission
DSL+++	GPS	BLK2	SOUND_SYSTEM	740	ZFTransmission
DOWN	Flip_Down_Screen	BLK1	SOUND_SYSTEM	723	ZFTransmission
DBusL		blabla		719	ZFTransmission
DBusH	DBusSignal	B7B	DirectLighting	718	ZFTransmission
DATA	SOUND_SYSTEM	B7A	DirectLighting	709	ZFTransmission
D1	UpperWiperMotor	B6B	DirectLighting	708	ZFTransmission
Cts	ComputerSignals	B6A	DirectLighting	707	ZFTransmission
com		B5B	DirectLighting	706	ZFTransmission
COM		B5A	DirectLighting	705A	ZFTransmission
Chgr_R	SOUND_SYSTEM	B4B	DirectLighting	705	ZFTransmission
Chgr_L	SOUND_SYSTEM	B4A	DirectLighting	617	ABStrailersolenoid
Chgr_C	SOUND_SYSTEM	B3B	DirectLighting	616	ABStrailersolenoid
Chgr	BatteryChargerGnd	B3A	DirectLighting	615	ABStrailersolenoid
CD3_R+	SOUND_SYSTEM	B2B	DirectLighting	614A	ABSSteeringSolenoid
CD3_L+	SOUND_SYSTEM	B2A	DirectLighting	614	ABSSteeringSolenoid
CD3_Gnd	SOUND_SYSTEM	B1B	DirectLighting	613	AbsTagSolenoid
Cd2_R+	SOUND_SYSTEM	B1A	DirectLighting	612	AbsTagSolenoid
Cd2_L+	SOUND_SYSTEM	Aux_R+	SOUND_SYSTEM	611	AbsTagSolenoid
Cd2_Gnd	SOUND_SYSTEM	Aux2_L+	SOUND_SYSTEM	610	ABSPressuresensor
Cd1_R+	SOUND_SYSTEM	Aux2_Gnd	SOUND_SYSTEM	609	ABSPressuresensor
Cd1_L+	SOUND_SYSTEM	Aux1_R+	SOUND_SYSTEM	608	ABSPressuresensor
Cd1_Gnd	SOUND_SYSTEM	Aux1_L+	SOUND_SYSTEM	607	ABSPressuresensor
Cd1	ComputerSignals	Aux1_Gnd	SOUND_SYSTEM	606	ABSPressuresensor
Cd	ComputerSignals	ANT	SOUND_SYSTEM	605	ABSSteering&Yawsensor
CanL_Out		979A	EngineBrakeMedSig	604	ABSSteering&Yawsensor
CanL_In		979	EngineBrakeA	603	ABSSteering&Yawsensor
CanL_ERide		953	Electronic_ground_DDEC_VI	602	ABSSteering&Yawsensor
CanLOut		952	GndSensorRtn	601A	ABSSensor
CanLinA34		932	ZFTransmission	601	ABSSensor
CanL1		930	ZFTransmission	600A	ABSSensor
CanL	CanLSignal	926	ZFTransmission	600	ABSSensor
CanH_In		925	ZFTransmission	583	EngineBrakeHiSig
CanH_ERide		919	ZFTransmission	564B	OutZFDecelSig
CanHOut		917	ZFTransmission	563	FanClutchSignal
CanHInA34		916	5VSensorPwr	555	FanClutchSignal

# CIRCUITS LIST

CircuitID	Description	CircuitID	Description	CircuitID	Description
545	CruiseResumeSig	306	WCLTopLights	177	Transmission
544A	CruiseOn-OffLed	305A	WCLUpperDoorSignal	176	Transmission
544	CruiseOn_OffSignal	305	ParkBrakeSol	175C	TagUnload
541	CruiseSetSig	304	WheelChairLift	175	Transmission
528	OverrideSignal	303	WCLRicon	174	Transmission
524C	IdleValidationSig	302A	WCLSlidingdoorSig	171	LuggageUnlockSwSig
524B	IdleValidationSig	302	WCLRicon	170HR	left/right_luggage_door_lock
517	EngineBrakeHiSig	301	WheelChairLiftSwitch	170H	LuggageUnlockSol
516	EngineBrakeLowSig	300	WCLTopLightSliding	170E	LuggageLockSwSig
515	GroundPreheaterRelay	293	FanClutchSwSig	170C	left/right_luggage_door_lock
514	DPFSensor	292	FanClutch	166	WitnessSigSw16
513	DPFSensor	291	FanClutch	164	HandLevelSig
512	DPFSensor	290	GndFanClutch	163B	RetarderSig
511	DPFSensor	260	WindowAjarSig	163A	
510	FastIdleSignal	255BA	Galley	163	RetarderEnable
508	DPFSensor	255B	Galley	160	TagSignal
507	DPFSensor	255	Galley	159	Transmission
506	DPFSensor	254F	Galley	157D	ATCTTLT
505	DPFSensor	254	Galley	156A	12VtoABS
503	DPF_Malfunction	253j		155Z	ZFTTransmission
502	IVSOut	253A	Galley	155	Transmission
501	Control_Ground_Relay	253	Galley	154	Transmission
500	Ground/Supply_Detroit/Volvo	241C	WaterInFuelHeater	152	Transmission
485B		241B	PowertoEcm	151D	GndtoEcm
485A		241A	PowertoEcm	151C	GndtoEcm
439		241		151B	GndtoEcm
417	ThrottlePositionSignal	240B	PowertoEcm	151A	GndtoEcm
352	OverrideSignal	240A	PowertoEcm	151	GndtoEcm
351	EngineShout-downSignal	240		150	Transmission
348	PowerManualSignal	231B	StarterRelay	149A	ABSSensor
347	FireSignal	231A	CrankSignal	149	Transmission
346	PowerSensors	231	Neutral	148	Transmission
345	ManualSignal	225	LavatoryFan	147A	EtherSolenoid
344	ExtinguisherSignal	202	headlampcleaningpump	147	EtherSignal
343A		201	Headlampcleaningsignal	146A	ZFTTransmission
343	Fire-EngineStopTTL	197	FuelFilterSig	146	ABSSolenoid
342	FireExting.Gnd	190	TransPresetSig	145	ABSSolenoid
341	PowerProtectionPanel	185	TransmissionInhibitSig	144A	ABSSensor
313		184	CustomerC	144	ABSSensor
311		183	SunVisor	143A	ABSSensor
309	WCL	182	SunVisor	143	ABSSensor
308	WCL	181	OutsideSensorSig	142	ABSSolenoid
307		180	Transmission	141	Transmission

# CIRCUITS LIST

CircuitID	Description	CircuitID	Description	CircuitID	Description
140	Transmission	126D	ProximitySwPwr	99	Sw20Gnd
139	Transmission	126C	ProximitySwSig	96	CorneringLTSwSig
138A	ABSSensor	126B	KneelingDownSwSig	95	DockingLTSwSig
138	Transmission	126A	KneelingUpSwSig	92	TrailerParkBrakeSig
137M	Mirrors	125		91B	WitnessSigSw14
137L	Mirrors	124A		91	ParkBrakeSig
137K	Mirrors	123	FireAlarm	90H1	Evaporator
137J	Mirrors	122	DigitalClock	90H	24VltoEvap
137H	Mirrors	121	SteeringOutSignal	89	DriverSensorSig
137F	Mirrors	120	Transmission	88	TransducerPwr
137E	Mirrors	119	Transmission	87	
137D	Mirrors	116A	DriverLiq	86Rtn	GndDefrostUnit
137C	Mirrors	116	DriverLiq	86	DefrostunitSpd
137B	Mirrors	115W		85Z	AbsTrailerWarningSignal
137A	MirrorPwrSig	115A	WitnessPwr	85Y	
137		115	CoolantLevelSignal	85X	24Vlgn
136C	Galley	114AA	ClusterKeyPadBacklight	85G	lgn-AccSignal
136AA	ShifterSignal	114A	Backlight	85F	24Vlgnition
136A		114	BacklightPwr	85E	RearStartSignal
136	Transmission	111	Transmission	85D	RearStartPwr
135A	HandLevelSig	106	FogLtrH	85C	PositionNormalSw58
135	Transmission	105	FogLtsLH	85B	lgn-AccSignal
134B	Galley	103	LowBuoySig	85A	lgn-AccSignal
134A	Galley	102A	Alternator	85	24Vlgnition
134	Galley	102	Alternator	84B	StartSigSw83
133C	Galley	101	PwrtoStarter	84A	StartSigSw83
133B	Galley	100D	IndirectLightPwr	84	StartSigSw83
133A	Galley	100C	IndirectLightsSig	83	24v_Accessories
133	Transmission	100B	IndirectLightLH	82Up	
131	Transmission	100A	IndirectLight	82UP	
130		100	IndirectLight	82Low	StopRearLowerLamp
129		0Z2	ZFTtransmission	82A	CyclopeLamp
128B	Pre-HeatTTLT	0Z1	ZFTtransmission	81	HeadLtCallSw1
128		0Z0	GndZFTrans.	80	BrakeRedundant
127D	ChargerRlyGndSig	0Y3	GndChassisABSSol	79A	DecelSignal
127	Transmission	0Y2	GndChassisABSSol	79	DecelSignal
126P	KneelingBuzzer	0V3	LuggageDoorOpenSig	78	ServiceBrakeSignal
126JR	GndKneeling	0V2	LuggageDoorOpenSig	77C	PassandPRackLiquidValve
126J	KneelingHi-BuoySol	0V1	LuggageDoorOpenSig	77BA	
126H	KneelingCtrl.Sol	0G1	Galley	77B	PassandPRackLiquidValve
126G	KneelingUpSol	00B1	GndEng.Start	77	TransducerHi-Side
126F	KneelingDownSol	0B1	GndEnginePreheater	76P	PrimePumpSig
126E	Kneelina15PsiPress.Sw.	00A1	GndElectronic	76C	FuelLowLevelSig

# CIRCUITS LIST

CircuitID	Description	CircuitID	Description	CircuitID	Description
76	FuelLevelSig	62	FrontOccupiedLts	42A	12VCondensor
75A	ReadingLampsLH	61	HeadLtsSig	41A	CondensorPwr
75	ReadingLampsRH	60	FogsLtsSwSig	41	24VCondensor
74D	ReadingLamps	59	Hi/LowBeamSignal	40	WitnessGnd
74C	ReadingLamp	58Rtn	HeadLampRHRtn	39D	DriverLt
74B	ReadingLampsLH	58R	LowBeamRH	39	DriverLtSwSig
74A	ReadingLampsRH	58L	LowBeam	38C	DirectLightSwSig
74	ReadingLampSig	57Rtn	SignalRtnHeadLtsLH	38BB	DirectLightsLH
73B	RearOccupiedSig	57R	HighBeamRH	38AA	DirectLightsRHRicon
73A	RearOccupiedSig	57L	Hi-Beam	38A	DirectLights
73	HostessChimePwr	57H	Pre-HeattoWtrPmpRly	38	DirectLights
72D	SunVisorRHSig	57GA	Pre-HeattoWtrPmpRly	35A	WatchYourStepLts
72C	SunVisorSignal	57G	Pre-HeatWebasto	35	EntranceDoorLights
72B	SunVisorRHSig	57A	WaterPump	34	ParkBrakeReleaseSignal
72A	DockingLtsRH	55R	left/right_luggage_door_lock	33	UnloaderLH
71A	DockingLtsLH	55	LuggageLockSol	32EE	UpperWiperMotor
71	UpperDefrostPump	54	TestSwitch	32D	
70J	GndHatRackLamps	53H	LowerWiper	32A	BackupLTandalarm
70H	GndHatRackLamps	53G	LowerWip1stSpd	31EE	UpperWipSpd.1
70G	GndHatRackLamps	53F	LowerWasherPump	31B	WiperIntermitentSignal
70F	GndHatRackLamps	53E	LowerWiper1stSpd	31	UnloaderRH
70E	GndHatRackLamps	53D	LowerWip.WasherSwSig	30A	Galley
70D	HatRackLighting	53C	LowerWip.IntSig	28	AudibleRlySig
70C	HatRackLighting	53B	PneumaticHorn	27A	EmergencySwSig
70B	HatRackLighting	53A	ElectricalHorn	26B	DriverWdo
70A	HatRackLighting	53	LowerWip.Spd1Sig	26A	DriverWdo
69A	HornTogglesig	52B	PneumaticHorn	26	DriverWdoPwr
69	ElectricalHorn	51	WitnessGnd	25A2	ExcitationSignal
68A	DashDamper	50	WitnessGndSig	25A1	ExcitationSignal
68	DashDamper	49A	DoorCloseSol	25	EngineRunSignal
67A	Condensor1stSpdSig	49	DoorCloseSignal	24Wup1	24WUpFront
67	EvaporatorPwr	48A	DoorOpenSol	24WUp1	24WUpFront
66	MarkersSigSw2	47A	DoorOpenSignal	24WC	WCL24VIPower
65P	Pass.Cylinder	47	DoorOpenSignal	24VIF	24VltoFrontVEC
65D	DriverCylinder	46A	FrontMarkers	24VICust	24VICustomer
65A	FootDamper	46	FrontFlasherRh	24VIA	Cut-outPneumaticAcc
65	FootDamper	45A	PassengerHeatSig	24VI13	24VI
64A	Blinker	45	UpperFanSig	24VI12	RJBLightPwr
64	EmergencyLampsSig	44	P-RackLHFan	24VI10	24VI
63C	CtrlHeadBacklight	43H	PassandPRackLiquidValve	24VI9B	24VlOfA54
63A	FrontClearanceLts	43G	PassandPRackLiquidValve	24VI9A	24VlOfA54
63	ClearanceLts	43F	WitnessGndSw27	24VI9	24VlOfA54
62B		43	PRackRH	24VI8	24VltoMux



# CIRCUITS LIST

CircuitID	Description	CircuitID	Description	CircuitID	Description
24V17	LowerWiperPwr	24	MasterRelayPwr	12V14	PwrOutletandCigarLighter
24V16	PwrtoDefrostUnit	23B	CorneringLtsRH	12V13	PwrOutletDrawer
24V15	24VlofMuxmodules	23AA	FrontFlasherRHSide	12V11	12VlofA44
24V14	SunVisorsPwr	23A	FrontFlasherRH	12VI	12VltoCB10
24V13	UpperWip.MotorPwr	23	FlasherRHSig	12VDF	12VDtoFrontVec
24V12	24VI	22	HazardSwSig	12VDCust	12VDCustomer
24V11	24VltoRearVec	21B	CorneringLtsLH	12VD4	12vEngineEcu
24VI	24VI	21AA		12VD3	12vRearwake-up
24VDCust	24VDCustomer	21A	FrontFlasher	12VD2	12VD_CPC
24VD9	24VD	21	FlasherLHSig	12VD1	12VDFrontWake-up
24VD8		20		12VA	12vEqualizer
24VD7	PassandPRackPwr	19B	TagUnload	12SS2	SOUND_SYSTEM
24VD6	24VDPre-Heat	19A	TagUnload	12SS1	SOUND_SYSTEM
24VD5	24VDtoPre-Heat	18	Wip.WasherLevel	12SS	Power_Harness
24VD4	24VDFrontWake-up	17	UpperWasherSwSignal	12MEM	SOUND_SYSTEM
24VD3	24VDofCECM	16A	UpperWasherPump	12H	DestinationSignPower
24VD2	24VDtoRearVec	16	SpeedSignal	12F	12VDto12PostRJB
24VD1	24VDInsideDoorOpen	15A	UpperWip.1StSpdSig	12Ecu	12vEngineEcu
24VD	24VDEng.StartSw83	15	UpperWipInt.Signal	12CPC	12vWupCPC
24VB2	24VEnginePreheater	14A	FlushingPumpSig	12CD	SOUND_SYSTEM
24VB1	24VEnginePreheater	13	SignalToPre-heatrelay	12B	12VDtoCB4
24VB	24VEnginePreheater	12WUp5	PwrtoModuleA51	12A	12VDtoR3
24VA	24vEqualizer	12WUp2	12WUptoDash	11	
24SS22	SOUND_SYSTEM	12WUp1	12WUpFront	10R	LuggageDoorOpenSig
24SS21	SOUND_SYSTEM	12WUp1	12VWUptoA48	10A	LuggageCmpt.LtsPwr
24SS13	Flip_Down_Screen	12WA	DoorFullOpenSig	10	LuggageCmpt.LtsPwr
24SS12	SOUND_SYSTEM	12W	DoorUnlockSol	0Y	
24SS11	SOUND_SYSTEM	12VIZF	ZFsterringControl	0WC	WCLRemoteCtrl
24SS2	SOUND_SYSTEM	12VISS5		0W	WCLGnd
24SS1	SOUND_SYSTEM	12VISS4	SOUND_SYSTEM	0VE	EqualizerGnd
24SS	Power_Harness	12VISS3	SOUND_SYSTEM	0V	LuggageDoorOpenSig
24PVA		12VISS2	SOUND_SYSTEM	0ST	GndSterringMultifuntion
24PV		12VISS1	SOUND_SYSTEM	0SS4	SOUND_SYSTEM
24P		12VIM		0SS3	SOUND_SYSTEM
24ND		12VIF19		0SS2	
24IZ	ZFTransmission	12VIF	12VltoFrontVec	0SS1	SOUND_SYSTEM
24GA	Galley	12VICust	12VICustomer	0SS	Parcel_Rack_Pwr
24FPS		12VI10	MirrorPwr	0SA2	GndAlternator
24E	24VltoCB1	12VI9	TireMonitoringPwr	0SA1	GndAlternator
24DZ	ZFTransmission	12VI8		0RC4	GndEntranceLights
24D	24DtoCB6	12VI7		0RC3	GndR23
24CO	PwrtoExcitationResistor	12VI6	PwrtoModuleA50	0RC2	GndDriverCylinder
24A	BoosterBlock	12VI5	12VltoVECR	0RB6	RJBGndCustomer

# CIRCUITS LIST

CircuitID	Description	CircuitID	Description		
0RB5	GndPre-Heat	9	EngCmpt.LtsSwitch		
0RB4		8	GndParkBrakeSol		
0RB3	GndRearClearanceLts	7	GndDriverSensor		
0RB1	LavatoryGnd	6	GndWitnessSw24		
0RA3	GndR1-R3	5	UpperDefrostfan		
0RA2	GndLavatory	4C	HostessChimeSig		
0R	GndPrimePump	4A	SOUND_SYSTEM		
0PR3	UpperDefrosterGnd	3	DoorLatchSig		
0PR2	GndWatchYourStep	2B	CondSndSpdSig		
0PR1	EntranceCeilingLtGnd	2	DoorUnlockSig		
0P	Galley				
0Lav4	GndAisleLampsLH				
0Lav3	GndEmergencyLampsRH				
0Lav2	GndAisleLamps				
0Lav1	GndDirectLights				
0Lav	GndReadingLamps				
0K	AirDryer				
0H	GroundCoolantSensor				
0G	GndofA54				
0FE	Gnd				
0FC4	ElectricalHorn				
0FC1	left/right_luggage_door_lock				
0FB3	GndMasterId				
0FB2	GndDriverWdo				
0FB1	E-RideGnd				
0FA5					
0FA4	GndPwrOutlet				
0FA1	GndofAccessoires				
0F	FJBDDoorOpenSig				
0EV6	RHP-RackMotorGnd				
0EV3	GndPRackLH				
0EV2	GndHvac				
0EV1	GndCondensor				
00D	RJBAjarSignal				
0CE	ChassisGndtoA47				
0CD	SOUND_SYSTEM				
0C	GndStarter				
00B	ElectronicGndofMuxModules				
0B	EngineChassisGnd				
00A	GndElectronic				
0A	Evap.Gnd				
9B	EngineCmpt.Lt				
9A	EnaineDoorOpenSig				

# CIRCUITS LIST

CircuitID	Description	CircuitID	Description	CircuitID	Description
1A		0FC1	left/right_luggage_door_lock	12A	12VDtoR3
1B		0FC4	ElectricalHorn	12B	12VDtoCB4
1C		0FE	Gnd	12CD	SOUND_SYSTEM
1D		0G	GndofA54	12CPC	12vWupCPC
2	DoorUnlockSig	0H	GroundCoolantSensor	12Ecu	12vEngineEcu
2A		00IS	Gnd_IShift	12F	12VDto12PostRJB
2B	CondSndSpdSig	0Lav	GndReadingLamps	12H	DestinationSignPower
2C		0Lav1	GndDirectLights	12MEM	SOUND_SYSTEM
2D		0Lav2	GndAisleLamps	12SS	Power_Harness
3	DoorLatchSig	0Lav3	GndEmergencyLampsRH	12SS1	SOUND_SYSTEM
3A		0Lav4	GndAisleLampsLH	12SS2	SOUND_SYSTEM
3B		0P	Galley	12VA	12vEqualizer
3C		0PR1	EntranceCeilingLtGnd	12VD1	12VDFrontWake-up
3D		0PR2	GndWatchYourStep	12VD2	12VD_CPC
4A	SOUND_SYSTEM	0PR3	UpperDefrosterGnd	12VD3	12vRearwake-up
4C		0R	GndPrimePump	12VD4	12vEngineEcu
5	UpperDefrostfan	0RA2	GndLavatory	12VDCust	12VDCustomer
6	GndWitnessSw24	0RA3	GndR1-R3	12VDF	12VDtoFrontVec
7	GndDriverSensor	0RB1	LavatoryGnd	12VI	12VItoCB10
8	GndParkBrakeSol	0RB3	GndRearClearanceLts	12VI1	12VIofA44
9	EngCmpt.LtsSwitch	0RB4		12VI3	PwrOutletDrawer
9A	EngineDoorOpenSig	0RB5	GndPre-Heat	12VI4	PwrOutletandCigarLighter
9B	EngineCmpt.Lt	0RB6	RJBGndCustomer	12VI5	12VItoVECR
0A	Evap.Gnd	0RC2	GndDriverCylinder	12VI6	PwrtoModuleA50
00A	GndElectronic	0RC3	GndR23	12VI7	
0B	EngineChassisGnd	0RC4	GndEntranceLights	12VI8	
00B	ElectronicGndofMuxModules	0SA1	GndAlternator	12VI9	TireMonitoringPwr
0C	GndStarter	0SA2	GndAlternator	12VI10	MirrorPwr
0CD	SOUND_SYSTEM	0SS	Parcel_Rack_Pwr	12VICust	12VICustomer
0CE	ChassisGndtoA47	0SS1	SOUND_SYSTEM	12VIF	12VItoFrontVec
00D	RJBajarSignal	0SS2	SOUND_SYSTEM	12VIF19	
0EV1	GndFlashersandMarkersCenter	0SS3	SOUND_SYSTEM	12VIM	
0EV2	GndHvac	0SS4	SOUND_SYSTEM	12VIS	12VIgnlShift
0EV3	GndPRackLH	0ST	GndSterringMultifuntion	12VISS1	SOUND_SYSTEM
0EV4	GndCondensor	0V	LuggageDoorOpenSig	12VISS2	SOUND_SYSTEM
0EV6	RHP-RackMotorGnd	0VE	EqualizerGnd	12VISS3	SOUND_SYSTEM
0F	FJBDdoorOpenSig	0W	WCLGnd	12VISS4	SOUND_SYSTEM
0FA1		0WC	WCLRemoteCtrl	12VISS5	
0FA4	GndPwrOutlet	0Y		12VIZF	ZFsterringControl
0FA5		10	LuggageCmpt.LtsPwr	12W	DoorUnlockSol
0FB1	E-RideGnd	10A	LuggageCmpt.LtsPwr	12WA	DoorFullOpenSig
0FB2		10R	LuggageDoorOpenSig	12WUp1	12VWUptoA48
0FB3	GndMasterId	11		12Wup1	12WUpFront

# CIRCUITS LIST

CircuitID	Description	CircuitID	Description	CircuitID	Description
12Wup2	12WUptoDash	24VA	24vEquilizer	28	AudibleRlySig
12Wup5	PwrtoModuleA51	24VB	24VEnginePreheater	30A	Galley
13	SignalToPre-heatrelay	24VB1	24VEnginePreheater	31	UnloaderRH
14A	FlushingPumpSig	24VB2	24VEnginePreheater	31B	WiperIntermitentSignal
15	UpperWip.Int.Signal	24VD	24VDEng.StartSw83	31EE	UpperWipSpd.1
15A	UpperWip.1StSpdSig	24VD1	24VDInsideDoorOpen	32A	BackupLtandalarm
16	SpeedSignal	24VD2	24VDtoRearVec	32D	
16A	UpperWasherPump	24VD3	24VDofCECM	32EE	UpperWiperMotor
17	UpperWasherSwSignal	24VD4	24VDFrontWake-up	33	UnloaderLH
18	Wip.WasherLevel	24VD5	24VDtoPre-Heat	34	ParkBrakeReleaseSignal
19A	TagUnload	24VD6	24VDPRe-Heat	35	EntranceDoorLights
19B	TagUnload	24VD7	PassandPRackPwr	35A	WatchYourStepLts
20		24VD8		38	DirectLights
21	FlasherLHSig	24VD9	24VD	38A	DirectLights
21A	FrontFlasher	24VDCust	24VDCustomer	38AA	DirectLightsRHRicon
21AA		24VI	24VI	38BB	DirectLightsLH
21B	CorneringLtsLH	24VI1	24VltoRearVec	38C	DirectLightSwSig
22	HazardSwSig	24VI2	24VltoSw1	39	DriverLtSwSig
23	FlasherRHSig	24VI3	UpperWip.MotorPwr	39D	DriverLt
23A	FrontFlasherRH	24VI4	SunVisorsPwr	40	WitnessGnd
23AA	FrontFlasherRHSide	24VI5	24VltofMuxmodules	41	24VCondensor
23B	CorneringLtsRH	24VI6	PwrtoDefrostUnit	41A1	CondensorPwr
24	MasterRelayPwr	24VI7	LowerWiperPwr	43	PRackRH
24A	BoosterBlock	24VI8	24VltoMux	43F	WitnessGndSw27
24CO	PwrtoExcitationResistor	24VI9	24VltofA54	43G	PassandPRackLiquidValve
24D	24DtoCB6	24VI9A	24VltofA54	43H	PassandPRackLiquidValve
24DZ	ZFTtransmission	24VI9B	24VltofA54	44	P-RackLHFan
24E	24VltoCB1	24VI10	24VI	45	UpperFanSig
24FPS	Cut_Off_Preheater_Power	24VI12	RJBLightPwr	45A	PassengerHeatSig
24GA	Galley	24VI13	24VI	46	FrontFlasherRh
24IZ	ZFTtransmission	24VIA	Cut-outPneumaticAcc	46A	FrontMarkers
24P		24VICust	24VICustomer	47	DoorOpenSignal
24PV		24VIF	24VltoFrontVEC	47A	DoorOpenSignal
24PVA		24WC	WCL24VIPower	48A	DoorOpenSol
24SS	Power_Harness	24WUp1	24WUpFront	49	DoorCloseSignal
24SS1	SOUND_SYSTEM	24Wup1	24WUpFront	49A	DoorCloseSol
24SS2	SOUND_SYSTEM	25	EngineRunSignal	50	WitnessGndSig
24SS11	SOUND_SYSTEM	25A1	ExcitationSignal	51	WitnessGnd
24SS12	SOUND_SYSTEM	25A2	ExcitationSignal	53	LowerWip.Spd1Sig
24SS13	Flip_Down_Screen	26	DriverWdoPwr	53A	ElectricalHorn
24SS14	Volvo_LCD_Monitors_Pwr	26A	DriverWdo	53B	PneumaticHorn
24SS21	SOUND_SYSTEM	26B	DriverWdo	53C	LowerWip.IntSig
24SS22	SOUND_SYSTEM	27A	EmergencvSwSig	53D	LowerWip.WasherSwSig

# CIRCUITS LIST

CircuitID	Description	CircuitID	Description	CircuitID	Description
53E	LowerWiper1stSpd	70F	GndHatRackLamps	85C	PositionNormalSw58
53F	LowerWasherPump	70G	GndHatRackLamps	85D	RearStartPwr
53G	LowerWip1stSpd	70H	GndHatRackLamps	85E	RearStartSignal
53H	LowerWiper	70J	GndHatRackLamps	85F	24VIgnition
54	TestSwitch	71	UpperDefrostPump	85G	Ign-AccSignal
55	LuggageLockSol	71A	DockingLtsLH	85X	24VIgn
55R	left/right_luggage_door_lock	72A	DockingLtsRH	85Y	
57A	WaterPump	72B	SunVisorRHSig	85Z	AbsTrailerWarningSignal
57G	Pre-HeatWebasto	72C	SunVisorSignal	86	DefrostunitSpd
57GA	Pre-HeattoWtrPmpRly	72D	SunVisorRHSig	86Rtn	GndDefrostUnit
57H	Pre-HeattoWtrPmpRly	73		87	
57L	Hi-Beam	73A	RearOccupiedSig	88	TransducerPwr
57R	HighBeamRH	73B	RearOccupiedSig	89	DriverSensorSig
57Rtn	SignalRtnHeadLtsLH	74	ReadingLampSig	90H	24VltoEvap
58L	LowBeam	74A		90H1	Evaporator
58R	LowBeamRH	74B	ReadingLampsLH	91	ParkBrakeSig
58Rtn	HeadLampRHRtn	74C	ReadingLamp	91B	WitnessSigSw14
59	Hi/LowBeamSignal	74D	ReadingLamps	92	TrailerParkBrakeSig
60	FogsLtsSwSig	75	ReadingLampsRH	95	DockingLTSwSig
61	HeadLtsSig	75A	ReadingLampsLH	96	CorneringLTSwSig
62	FrontOccupiedLts	76	FuelLevelSig	99	Sw20Gnd
62B	LavatoryLts	76C	FuelLowLevelSig	00A1	GndElectronic
63	ClearanceLts	76P	PrimePumpSig	0B1	GndEnginePreheater
63A	FrontClearanceLts	77	TransducerHi-Side	00B1	GndEng.Start
63C	CtrlHeadBacklight	77B	PassandPRackLiquidValve	0G1	Galley
64	EmergencyLampsSig	77BA		0V1	LuggageDoorOpenSig
64A	Blinker	77C	PassandPRackLiquidValve	0V2	LuggageDoorOpenSig
65	FootDamper	78	StopLightSensorSig	0V3	LuggageDoorOpenSig
65A	FootDamper	79	GndServiceBrake	0Y2	GndChassisABSSol
65D	DriverCylinder	79A	DecelSignal	0Y3	GndChassisABSSol
65P	Pass.Cylinder	80	ServiceBrakeSignal	0Z0	GndZFTrans.
66	MarkersSigSw2	81	HeadLtCallSw1	0Z1	ZFTtransmission
67	EvaporatorPwr	82A	CyclopeLamp	0Z2	ZFTtransmission
67A	Condensor1stSpdSig	82Low	StopRearLowerLamp	100	IndirectLight
68	DashDamper	82UP		100A	IndirectLight
68A	DashDamper	82Up		100B	IndirectLightLH
69	ElectricalHorn	83	24v_Accessories	100C	IndirectLightsSig
69A	HornTogglesig	84	StartSigSw83	100D	IndirectLightPwr
70A	HatRackLighting	84A	StartSigSw83	101	PwrtoStarter
70B	HatRackLighting	84B	StartSigSw83	101A	
70C	HatRackLighting	85	24VIgnition	101B	
70D	HatRackLighting	85A	Ign-AccSignal	102	Alternator
70E	GndHatRackLamps	85B	Ign-AccSignal	102A	Alternator

# CIRCUITS LIST

CircuitID	Description	CircuitID	Description	CircuitID	Description
103	LowBuoySig	134	Galley	151C	GndtoEcm
105	FogLtsLH	134A	Galley	151D	GndtoEcm
106	FogLtsRH	134B	Galley	152	Transmission
107	Gnd_IShift	135	Transmission	154	Transmission
108		135A	HandLevelSig	155	Transmission
111	Transmission	136	Transmission	155Z	ZFTransmission
114	BacklightPwr	136A		156A	12VtoABS
114A	Backlight	136AA	ShifterSignal	157D	ATCTTLT
114AA	ClusterKeyPadBacklight	136C	Galley	159	Transmission
115	CoolantLevelSignal	137		160	TagSignal
115A	WitnessPwr	137A	MirrorPwrSig	163A	
115W		137B	Mirrors	163B	RetarderSig
116	DriverLiq	137C	Mirrors	164	HandLevelSig
116A	DriverLiq	137D	Mirrors	166	WitnessSigSw16
119	Transmission	137E	Mirrors	170C	left/right_luggage_door_lock
120	Transmission	137F	Mirrors	170E	LuggageLockSwSig
121	SteeringOutSignal	137H	Mirrors	170H	LuggageUnlockSol
122	DigitalClock	137J	Mirrors	170HR	left/right_luggage_door_lock
123	Fire_Sensor_Signal	137K	Mirrors	171	LuggageUnlockSwSig
124A		137L	Mirrors	174	Transmission
125		137M	Mirrors	175	Transmission
126A	KneelingUpSwSig	138	Transmission	175C	TagUnload
126B	KneelingDownSwSig	138A	ABSSensor	176	Transmission
126C	ProximitySwSig	139	Transmission	177	Transmission
126D	ProximitySwPwr	140	Transmission	180	Transmission
126E	Kneeling15PsiPress.Sw.	141	Transmission	181	OutsideSensorSig
126F	KneelingDownSol	142	ABSSolenoid	182	SunVisor
126G	KneelingUpSol	143	ABSSensor	183	SunVisor
126H	KneelingCtrl.Sol	143A	ABSSensor	184	CustomerC
126J	KneelingHi-BuoySol	144	ABSSensor	185	TransmissionInhibitSig
126JR	GndKneeling	144A	ABSSensor	190	TransPresetSig
126P	KneelingBuzzer	145	ABSSolenoid	197	FuelFilterSig
127	Transmission	146	ABSSolenoid	201	Headlampcleaningsignal
127D	ChargerRlyGndSig	146A	ZFTransmission	202	headlampcleaningpump
128	Pre-HeatStatus	147	EtherSignal	225	LavatoryFan
128B	Pre-HeatTTLT	147A	EtherSolenoid	231	Neutral
129		148	Transmission	231A	CrankSignal
130		149	Transmission	231B	StarterRelay
131	Transmission	149A	ABSSensor	240	
133	Transmission	150	Transmission	240A	PowertoEcm
133A	Galley	151	GndtoEcm	240B	PowertoEcm
133B	Galley	151A	GndtoEcm	241	
133C	Galley	151B	GndtoEcm	241A	PowertoEcm

# CIRCUITS LIST

CircuitID	Description	CircuitID	Description	CircuitID	Description
241B	PowertoEcm	500	Ground/Supply_Detroit/Volvo	615	ABStrailersolenoid
241C	WaterInFuelHeater	501	Control_Ground_Relay	616	ABStrailersolenoid
253	Galley	502	IVSOut	617	ABStrailersolenoid
253A	Galley	503	DPF_Malfunction	705	ZFTransmission
253j		505	DPFSensor	705A	ZFTransmission
254	Galley	506	DPFSensor	706	ZFTransmission
254F	Galley	507	DPFSensor	707	ZFTransmission
255	Galley	508	DPFSensor	708	ZFTransmission
255B	Galley	510	FastIdleSignal	709	ZFTransmission
255BA	Galley	511	DPFSensor	718	ZFTransmission
260	WindowAjarSig	512	DPFSensor	719	ZFTransmission
290	GndFanClutch	513	DPFSensor	723	ZFTransmission
291	FanClutch	514	DPFSensor	740	ZFTransmission
292	FanClutch	515	GroundPreheaterRelay	770	ZFTransmission
300	WCLTopLightSliding	524B	IdleValidationSig	900	J1587P
301	WheelChairLiftSwitch	524C	IdleValidationSig	901	J1597N
302	WCLRicon	528	OverrideSignal	902	ZFTransmission
302A	WCLSlidingdoorSig	541	CruiseSetSig	906	ZFTransmission
303	WCLRicon	544	CruiseOn_OffSignal	907	ZFTransmission
304	WheelChairLift	544A	CruiseOn-OffLed	910	L_SPEAKER_HARNESS
305	ParkBrakeSol	545	CruiseResumeSig	911	EmergencyCutoutRlySignal
305A	WCLUpperDoorSignal	555	FanClutchSignal	916	5VSensorPwr
306	WCLTopLights	563	FanClutchSignal	917	ZFTransmission
307		564B	OutZFDecelSig	919	ZFTransmission
308	WCL	583	EngineBrakeHiSig	925	ZFTransmission
309	WCL	600	ABSSensor	926	ZFTransmission
311		600A	ABSSensor	930	ZFTransmission
313		601	ABSSensor	932	ZFTransmission
341	PowerProtectionPanel	601A	ABSSensor	952	GndSensorRtn
342	FireExting.Gnd	602	ABSSteering&Yawsensor	953	Electronic_ground_DDEC_VI
343	Fire-EngineStopTTL	603	ABSSteering&Yawsensor	979	EngineBrakeA
343A	Cut_Off_Preheater	604	ABSSteering&Yawsensor	979A	EngineBrakeMedSig
344	ExtinguisherSignal	605	ABSSteering&Yawsensor	ANT	SOUND_SYSTEM
345	ManualSignal	606	ABSPressuresensor	Aux1_Gnd	SOUND_SYSTEM
346	FireAlarm_Detector	607	ABSPressuresensor	Aux1_L+	SOUND_SYSTEM
347	FireAlarm_Detector	608	ABSPressuresensor	Aux1_R+	SOUND_SYSTEM
348	PowerManualSignal	609	ABSPressuresensor	Aux2_Gnd	SOUND_SYSTEM
351	EngineShout-downSignal	610	ABSPressuresensor	Aux2_L+	SOUND_SYSTEM
352	OverrideSignal	611	AbsTagSolenoid	Aux_R+	SOUND_SYSTEM
417	ThrottlePositionSignal	612	AbsTagSolenoid	B1A	DirectLighting
439		613	AbsTagSolenoid	B1B	DirectLighting
485A		614	ABSSteeringSolenoid	B2A	DirectLighting
485B		614A	ABSSteeringSolenoid	B2B	DirectLighting

# CIRCUITS LIST

CircuitID	Description	CircuitID	Description	CircuitID	Description
B3A	DirectLighting	Chgr	BatteryChargerGnd	H2_RL-	
B3B	DirectLighting	Chgr_C	SOUND_SYSTEM	HOSTESS	SOUND_SYSTEM
B4A	DirectLighting	Chgr_L	SOUND_SYSTEM	IPJ1	Cluster
B4B	DirectLighting	Chgr_R	SOUND_SYSTEM	IPJ2	Cluster
B5A	DirectLighting	COM		IPJ5	Cluster
B5B	DirectLighting	com		IPJ6	Cluster
B6A	DirectLighting	Cts	ComputerSignals	IPJ7	Cluster
B6B	DirectLighting	D1	UpperWiperMotor	IPJ8	Cluster
B7A	DirectLighting	DATA	SOUND_SYSTEM	J1939H	J1939Signals
B7B	DirectLighting	DBusH		J1939L	J1939Signals
blabla		DBusL		L+	
BLK1	SOUND_SYSTEM	DOWN	Flip_Down_Screen	LF+	PSRCEL_RACK_SOUND_HARNESS
BLK2	SOUND_SYSTEM	DSL+++	GPS	LF-	SOUND_SYSTEM
BikFR		DSL---	GPS	LR+	PSRCEL_RACK_SOUND_HARNESS
BikRL		DSR+++	GPS	LR-	SOUND_SYSTEM
BikRR		DSR---	DRIVER_SPEAKERS	LX5	ClusterKeyPad
Bref1	PassengerSensor	DVD1_Gnd	Sound_System	LX6	ClusterKeyPad
CAN2-H	EngineCan2	DVD1_L+	Sound_System	LX7	ClusterKeyPad
CAN2-L	EngineCan2	DVD1_R+	Sound_System	LX16	ClusterKeyPad
CanH	CanHSignal	DVD1_RL-		LX21	ClusterKeyPad
CanH1		Dvd2_Gnd	SOUND_SYSTEM	L_DRIVER	SOUND_SYSTEM
CanHInA34		Dvd2_L+	SOUND_SYSTEM	Mute	GPS
CanHOut		Dvd2_R+	SOUND_SYSTEM	N1	A41Address
CanH_ERide		Engine_Can+	EngineCan	N2	A41Address
CanH_In		Engine_Can-	EngineCan	N3	A42Address
CanL	CanLSignal	FAKE	L_SPEAKER_HARNESS	N4	A42Address
CanL1		FAKE1	R_SPEAKER_HARNESS	N5	A43Address
CanLInA34		FLIP	Flip_Down_Screen	N6	A43Address
CanLOut		fuilf	j	N7	A44Address
CanL_ERide		GndA	ComputerSignals	N8	A44Address
CanL_In		GndOA34		N9	A45Address
CanL_Out		GndOA37		N10	A45Address
Cd	ComputerSignals	GRN		N11	A46Address
Cd1	ComputerSignals	GRN1	SOUND_SYSTEM	N12	A46Address
Cd1_Gnd	SOUND_SYSTEM	GRN2	SOUND_SYSTEM	N13	A47Address
Cd1_L+	SOUND_SYSTEM	H1_L+	SOUND_SYSTEM	N14	A47Address
Cd1_R+	SOUND_SYSTEM	H1_L-	SOUND_SYSTEM	N15	A48Address
Cd2_Gnd	SOUND_SYSTEM	H1_R+	SOUND_SYSTEM	N16	A48Address
Cd2_L+	SOUND_SYSTEM	H1_R-	SOUND_SYSTEM	N17	A49Address
Cd2_R+	SOUND_SYSTEM	H2_L+	SOUND_SYSTEM	N18	A49Address
CD3_Gnd	SOUND_SYSTEM	H2_L-	SOUND_SYSTEM	N19	A50Address
CD3_L+	SOUND_SYSTEM	H2_R+	SOUND_SYSTEM	N20	A50Address
CD3_R+	SOUND_SYSTEM	H2_R-	SOUND_SYSTEM	N21	A51Address



# CIRCUITS LIST

CircuitID	Description	CircuitID	Description	CircuitID	Description
N22	A51Adress	Rem3	GPS	spare7	SparesEvap.Harness
N23	A52Adress	RF+	SOUND_SYSTEM	spare8	SparesEvap.Harness
N24	A52Adress	RF-	SOUND_SYSTEM	spare9	SparesEvap.Harness
N25	A53Adress	RR		spare10	SparesInteriorLtsHarness
N26	A53Adress	RR+	SOUND_SYSTEM	spare11	SparesInteriorLtsHarness
N27	A54Adress	RR-	SOUND_SYSTEM	spare12	SparesInteriorHarness
N28	A54Adress	RT	ZFTtransmission	spare13	SparesInteriorHarness
N29	A36Adress	Rts	ComputerSignals	spare14	SparesInteriorHarness
N30	addressA55	RTV	SOUND_SYSTEM	spare15	SparesInteriorHarness
N31	addressA55	RX		spare16	SparesInteriorHarness
NavSpk+++	GPS	R_DRIVER	SOUND_SYSTEM	spare17	
NavSpk---	GPS	RxD	ComputerSignals	spare18	
OFB3		SAT		spare19	
OFC1		SE1		spare20	SparesClearanceLts
OP		SH1	I_ShiftGearLevelSignal	spare21	SparesClearanceLts
OP1		SH2	I_ShiftGearLevelSignal	spare22	SparesClearanceLts
OP2		SH3	I_ShiftGearLevelSignal	spare23	SparesClearanceLts
OP12VI		SH4	I_ShiftGearLevelSignal	spare24	SparesClearanceLts
OPM		SH5	I_ShiftGearLevelSignal	spare25	SparesClearanceLts
OPMV1		SH6	I_ShiftGearLevelSignal	spare26	SparesFrontHarness
OPMV2		SH7	I_ShiftGearLevelSignal	spare27	SparesFrontHarness
OPR1		SHD1	SOUND_SYSTEM	spare28	SparesFrontHarness
OPS		SHD2		spare29	
OPST		SHIELD	jack_3_5mm	spare30	SparesFrontHarness
OR	TagUnloadValve	SHLD	SOUND_SYSTEM	spare31	SparesFrontHarness
ORA2	GndR25etR11	SHLD2		spare32	SparesFrontHarness
ORB4	TagUnload	SL13	L_SPEAKER_HARNESS	spare33	SparesFrontHarness
OSS2		SL24	L_SPEAKER_HARNESS	spare34	SparesFrontHarness
PANA_L+		SL35	L_SPEAKER_HARNESS	spare35	SparesFrontHarness
PANA_LR-		SL46	L_SPEAKER_HARNESS	spare36	SparesFrontHarness
PANA_R+		SL57	L_SPEAKER_HARNESS	spare37	SparesFrontHarness
PwrOA34		SL68	L_SPEAKER_HARNESS	spare38	SparesFrontHarness
PwrOA37		SL1012	L_SPEAKER_HARNESS	spare39	SparesDash
R+		SL1113	L_SPEAKER_HARNESS	spare40	SparesDash
RED	jack_3_5mm	SL1214	L_SPEAKER_HARNESS	spare41	SparesDash
RED1	SOUND_SYSTEM	SL1315	L_SPEAKER_HARNESS	spare42	SparesDash
RED2	SOUND_SYSTEM	SL1416	L_SPEAKER_HARNESS	spare43	SparesDash
RedFR		sp52	EvaporatorEngageSig	spare44	SparesDash
RedRL		spare2	SparesFr-to-RearHarness	spare45	SparesFr-to-RearHarness
RedRR		spare3		spare46	SparesFr-to-RearHarness
Ref1	GndPassengerSensor	spare4	SparesEvap.Harness	spare49	SparesEngineCradle
Rem1	GPS	spare5	SparesEvap.Harness	spare50	SparesEngineCradle
Rem2	GPS	spare6	SparesEvap.Harness	spare51	SparesEngineCradle

# CIRCUITS LIST

CircuitID	Description	CircuitID	Description		
spare52	SparesEngineCradle	UP	Flip_Down_Screen		
spare53	SparesEngineCradle	V114			
spare54	SparesEngineCradle	WC2	WCLRemoteCtrl		
spare55		WC3	WCLRemoteCtrl		
spare56		WC4	WCLRemoteCtrl		
spare57	SparesEnginesAccessories	WC6	WCLRemoteCtrl		
spare58	SparesEnginesAccessories	WC7	WCL		
spare59	SparesEnginesAccessories	WHITE	jack_3_5mm		
spare60	SparesEnginesAccessories	WHT1	SOUND_SYSTEM		
spare61	SparesEnginesAccessories	WHT2	SOUND_SYSTEM		
spare62	spareABSHarness	WhtFR			
spare63	spareABSHarness	WhtRL			
spare64	SapreTransmission	WhtRR			
spare65	SparesTransmission	XM_L+			
spWcl1	SpareWCL	XM_L-			
spWcl2	SpareWCL	XM_R+			
SR13	FR_SPEAKER_HARNESS_	XM_R-			
SR24	FR_SPEAKER_HARNESS_	Y1A	DirectLighting		
SR35	FR_SPEAKER_HARNESS_	Y1B	DirectLighting		
SR46	FR_SPEAKER_HARNESS_	Y2A	DirectLighting		
SR57	FR_SPEAKER_HARNESS_	Y2B	DirectLighting		
SR68	FR_SPEAKER_HARNESS_	Y3A	DirectLighting		
SR911	R_SPEAKER_HARNESS_WCL	Y3B	DirectLighting		
SR1012	R_SPEAKER_HARNESS_WCL	Y4A	DirectLighting		
SR1113	R_SPEAKER_HARNESS_WCL	Y4B	DirectLighting		
SR1214	R_SPEAKER_HARNESS_WCL	Y5A	DirectLighting		
SR1315	R_SPEAKER_HARNESS_WCL	Y5B	DirectLighting		
SR1416	R_SPEAKER_HARNESS_WCL	Y6A	DirectLighting		
Sub1+	SUBWOOFER_HARNESS	Y6B	DirectLighting		
Sub1-	SUBWOOFER_HARNESS	Y7A	DirectLighting		
Sub2+	SUBWOOFER_HARNESS	Y7B	DirectLighting		
Sub2-	SUBWOOFER_HARNESS	zf1	SteeringCtrl		
SW	ZFTransmission	zf2	SteeringCtrl		
TEST		ZF_Can1_H	ZFTransmission		
TEST1		ZF_Can1_L	ZFTransmission		
TRIG1	SOUND_SYSTEM	ZF_Can2_H	ZFTransmission		
TRIG2	SOUND_SYSTEM	ZF_Can2_L	ZFTransmission		
TRIG3	SOUND_SYSTEM				
TRIG4	SOUND_SYSTEM				
TRIG5	SOUND_SYSTEM				
TRIG_SAT					
TX					
TxD	ComputerSignals				

# CIRCUITS LIST

CircuitID	Description	CircuitID	Description	CircuitID	Description
12W	DoorUnlockSol	24SS13	Flip_Down_Screen	26	DriverWdoPwr
12WA	DoorFullOpenSig	24SS14	Volvo_LCD_Monitors_Pwr	26A	DriverWdo
12WUp1	12VWUptoA48	24SS21	SOUND_SYSTEM	26B	DriverWdo
12Wup1	12WUpFront	24SS22	SOUND_SYSTEM	27A	EmergencySwSig
12Wup2	12WUptoDash	24VA	24vEquilizer	28	
12WUp5	PwrtoModuleA51	24VB	24VEnginePreheater	30A	Galley
13	SignalToPre-heatrelay	24VB1	24VEnginePreheater	31	UnloaderRH
14A	FlushingPumpSig	24VB2	24VEnginePreheater	31B	WiperIntermitentSignal
15	UpperWipInt.Signal	24VD	24VDEng.StartSw83	31EE	UpperWipSpd.1
15A	UpperWip.1StSpdSig	24VD1	24VDInsideDoorOpen	32A	BackupLtandalarm
16	SpeedSignal	24VD2	24VDtoRearVec	32D	
16A	UpperWasherPump	24VD3	24VDoFCECM	32EE	UpperWiperMotor
17	UpperWasherSwSignal	24VD4	24VDFrontWake-up	33	UnloaderLH
18	Wip.WasherLevel	24VD5	24VDtoPre-Heat	34	ParkBrakeReleaseSignal
19A	TagUnload	24VD6	24VDPre-Heat	35	EntranceDoorLights
19B	TagUnload	24VD7	PassandPRackPwr	35A	WatchYourStepLts
20		24VD8		38	DirectLights
21	FlasherLHSig	24VD9	24VD	38A	DirectLights
21A		24VDCust	24VDCustomer	38AA	DirectLightsRHRicon
21AA		24VI	24VI	38BB	DirectLightsLH
21B	CorneringLtsLH	24VI1	24VItoRearVec	38C	DirectLightSwSig
22	HazardSwSig	24VI2	24VItoSw1	39	DriverLtSwSig
23	FlasherRHSig	24VI3	UpperWip.MotorPwr	39D	DriverLt
23A		24VI4	SunVisorsPwr	40	WitnessGnd
23AA	FrontFlasherRHSide	24VI5	24VIofMuxmodules	41	24VCondensor
23B	CorneringLtsRH	24VI6	PwrtoDefrostUnit	41A1	CondensorPwr
24	MasterRelayPwr	24VI7	LowerWiperPwr	43	PRackRH
24A	BoosterBlock	24VI8	24VItoMux	43F	WitnessGndSw27
24CO	PwrtoExcitationResistor	24VI9	24VIofA54	43G	PassandPRackLiquidValve
24D	24DtoCB6	24VI9A	24VIofA54	43H	PassandPRackLiquidValve
24DZ	ZFTtransmission	24VI9B	24VIofA54	44	P-RackLHFan
24E	24VItoCB1	24VI10	24VI	45	UpperFanSig
24FPS	Cut_Off_Preheater_Power	24VI12	RJBLightPwr	45A	PassengerHeatSig
24GA	Galley	24VI13	24VI	46	FrontFlasherRh
24IZ	ZFTtransmission	24VIA	Cut-outPneumaticAcc	46A	FrontMarkers
24P		24VICust	24VICustomer	47	DoorOpenSignal
24PV	Relaisinverter	24VIF	24VItoFrontVEC	47A	DoorOpenSignal
24PVA	Relaisinverter	24WC	WCL24VIPower	48A	DoorOpenSol
24SS	Power_Harness	24WUp1	24WUpFront	49	DoorCloseSignal
24SS1	SOUND_SYSTEM	24Wup1	24WUpFront	49A	DoorCloseSol
24SS2	SOUND_SYSTEM	25	EngineRunSignal	50	WitnessGndSig
24SS11	SOUND_SYSTEM	25A1	ExcitationSignal	51	WitnessGnd
24SS12	SOUND_SYSTEM	25A2	ExcitationSignal	53	LowerWip.Spd1Sig

# CIRCUITS LIST

CircuitID	Description	CircuitID	Description	CircuitID	Description
53A	ElectricalHorn	70B	HatRackLighting	84B	StartSigSw83
53B	PneumaticHorn	70C	HatRackLighting	85	24VIgnition
53C	LowerWip.IntSig	70D	HatRackLighting	85A	Ign-AccSignal
53D	LowerWip.WasherSwSig	70E	GndHatRackLamps	85B	Ign-AccSignal
53E	LowerWiper1stSpd	70F	GndHatRackLamps	85C	PositionNormalSw58
53F	LowerWasherPump	70G	GndHatRackLamps	85D	RearStartPwr
53G	LowerWip1stSpd	70H	GndHatRackLamps	85E	RearStartSignal
53H	LowerWiper	70J	GndHatRackLamps	85F	24VIgnition
54	TestSwitch	71	UpperDefrostPump	85G	Ign-AccSignal
55	LuggageLockSol	71A	DockingLtsLH	85X	24VIgn
55R	left/right_luggage_door_lock	72A	DockingLtsRH	85Y	
57A	WaterPump	72B	SunVisorRHSig	85Z	AbsTrailerWarningSignal
57G	Pre-HeatWebasto	72C	SunVisorSignal	86	DefrostunitSpd
57GA	Pre-HeattoWtrPmpRly	72D	SunVisorRHSig	86Rtn	GndDefrostUnit
57H	Pre-HeattoWtrPmpRly	73		87	
57L		73A	RearOccupiedSig	88	TransducerPwr
57R		73B	RearOccupiedSig	89	DriverSensorSig
57Rtn		74	ReadingLampSig	90H	24VltoEvap
58L		74A		90H1	Evaporator
58R		74B	ReadingLampsLH	91	ParkBrakeSig
58Rtn		74C	ReadingLamp	91B	WitnessSigSw14
59	Hi/LowBeamSignal	74D	ReadingLamps	92	TrailerParkBrakeSig
60	FogsLtsSwSig	75	ReadingLampsRH	95	DockingLTSwSig
61	HeadLtsSig	75A	ReadingLampsLH	96	CorneringLTSwSig
62	FrontOccupiedLts	76	FuelLevelSig	99	Sw20Gnd
62B	LavatoryLts	76C	FuelLowLevelSig	00A1	GndElectronic
63	ClearanceLts	76P	PrimePumpSig	0B1	GndEnginePreheater
63A	FrontClearanceLts	77	TransducerHi-Side	00B1	GndEng.Start
63C	CtrlHeadBacklight	77B	PassandPRackLiquidValve	0G1	Galley
64	EmergencyLampsSig	77BA		0V1	LuggageDoorOpenSig
64A	Blinker	77C	PassandPRackLiquidValve	0V2	LuggageDoorOpenSig
65	FootDamper	78	StopLightSensorSig	0V3	LuggageDoorOpenSig
65A	FootDamper	79	GndServiceBrake	0Y2	GndChassisABSSol
65D	DriverCylinder	79A	DecelSignal	0Y3	GndChassisABSSol
65P	Pass.Cylinder	80	ServiceBrakeSignal	0Z1	ZFTransmission
66	MarkersSigSw2	81	HeadLtCallSw1	0Z2	ZFTransmission
67	EvaporatorPwr	82A	CyclopeLamp	100	IndirectLight
67A	Condensor1stSpdSig	82Low	StopRearLowerLamp	100A	IndirectLight
68	DashDamper	82UP		100B	IndirectLightLH
68A	DashDamper	82Up		100C	IndirectLightsSig
69	ElectricalHorn	83	24v_Accessories	100D	IndirectLightPwr
69A	HornTogglesig	84	StartSigSw83	101	
70A	HatRackLighting	84A	StartSigSw83	101A	

# CIRCUITS LIST

CircuitID	Description	CircuitID	Description	CircuitID	Description
101B		127	Transmission	146	ABSSolenoid
102	Alternator	127D	ChargerRlyGndSig	146A	ZFTtransmission
102A	Alternator	128	Pre-HeatStatus	147	EtherSignal
103	LowBuoySig	128B	Pre-HeatTTLT	147A	EtherSolenoid
105		129		148	Transmission
105A		130		149	Transmission
105ARtn		131	Transmission	149A	ABSSensor
105Rtn		133	Transmission	150	Transmission
106		133A	Galley	151	GndtoEcm
106A		133B	Galley	151A	GndtoEcm
106Rtn		133C	Galley	151B	GndtoEcm
107	Pwrl_Shift	134	Galley	151C	GndtoEcm
108	Pwr_Trans_IShift	134A	Galley	151D	GndtoEcm
109	Cmd_Ground	134B	Galley	152	Transmission
110	12VD_IShift	135	Transmission	154	Transmission
111	Transmission	135A	HandLevelSig	155	Transmission
114	BacklightPwr	136	Transmission	155Z	ZFTtransmission
114A	Backlight	136A		156A	12VtoABS
114AA	ClusterKeyPadBacklight	136AA	ShifterSignal	157D	ATCTTLT
115	CoolantLevelSignal	136C	Galley	159	Transmission
115A	WitnessPwr	137		160	TagSignal
115W		137A	MirrorPwrSig	163A	
116	DriverLiq	137B	Mirrors	163B	RetarderSig
116A	DriverLiq	137C	Mirrors	164	HandLevelSig
118	Transmission	137D	Mirrors	166	WitnessSigSw16
119	Transmission	137E	Mirrors	170C	left/right_luggage_door_lock
120	Transmission	137F	Mirrors	170E	LuggageLockSwSig
121	SteeringOutSignal	137H	Mirrors	170H	LuggageUnlockSol
122	DigitalClock	137J	Mirrors	170HR	left/right_luggage_door_lock
123	Fire_Sensor_Signal	137K	Mirrors	171	LuggageUnlockSwSig
124A		137L	Mirrors	174	Transmission
125		137M	Mirrors	175	Transmission
126A	KneelingUpSwSig	138	Transmission	175C	TagUnload
126B	KneelingDownSwSig	138A	ABSSensor	176	Transmission
126C	ProximitySwSig	139	Transmission	177	Transmission
126D	ProximitySwPwr	140	Transmission	180	Transmission
126E	Kneeling15PsiPress.Sw.	141	Transmission	181	OutsideSensorSig
126F	KneelingDownSol	142	ABSSolenoid	182	SunVisor
126G	KneelingUpSol	143	ABSSensor	183	SunVisor
126H	KneelingCtrl.Sol	143A	ABSSensor	185	TransmissionInhibitSig
126J	KneelingHi-BuoySol	144	ABSSensor	190	TransPresetSig
126JR	GndKneeling	144A	ABSSensor	197	FuelFilterSig
126P	KneelingBuzzer	145	ABSSolenoid	201	Headlampcleaningsignal

# CIRCUITS LIST

CircuitID	Description	CircuitID	Description	CircuitID	Description
202	headlampcleaningpump	343A	Cut_Off_Preheater	604	ABSSteering&Yawsensor
225	LavatoryFan	344	ExtinguisherSignal	605	ABSSteering&Yawsensor
231	Neutral	345	ManualSignal	606	ABSPressuresensor
231A	CrankSignal	346	FireAlarm_Detector	607	ABSPressuresensor
231B	StarterRelay	347	FireAlarm_Detector	608	ABSPressuresensor
240		348	PowerManualSignal	609	ABSPressuresensor
240A	PowertoEcm	351	EngineShout-downSignal	610	ABSPressuresensor
240B	PowertoEcm	352	OverrideSignal	611	AbsTagSolenoid
241		417	ThrottlePositionSignal	612	AbsTagSolenoid
241A	PowertoEcm	439		613	AbsTagSolenoid
241B	PowertoEcm	485A		614	ABSSteeringSolenoid
241C	WaterInFuelHeater	485B		614A	ABSSteeringSolenoid
253	Galley	500	Ground/Supply_Detroit/Volvo	615	ABStrailersolenoid
253A	Galley	501	Control_Ground_Relay	616	ABStrailersolenoid
253j	SWinverter	502	IVSOut	617	ABStrailersolenoid
254	Galley	503	DPF_Malfunction	618	HillStartAssistsignal
254F	Galley	505	DPFSensor	705	ZFTransmission
255	Galley	506	DPFSensor	705A	ZFTransmission
255B	Galley	507	DPFSensor	706	ZFTransmission
255BA	Galley	508	DPFSensor	707	ZFTransmission
260	WindowAjarSig	510	FastIdleSignal	708	ZFTransmission
290	GndFanClutch	511	DPFSensor	709	ZFTransmission
291	FanClutch	512	DPFSensor	718	ZFTransmission
292	FanClutch	513	DPFSensor	719	ZFTransmission
300	WCLTopLightSliding	514	DPFSensor	723	ZFTransmission
301	WheelChairLiftSwitch	515	GroundPreheaterRelay	740	ZFTransmission
302	WCLRicon	524B	IdleValidationSig	770	ZFTransmission
302A	WCLSlidingdoorSig	524C	IdleValidationSig	900	900-901
303	WCLRicon	528	OverrideSignal	901	900-901
304	WheelChairLift	541	CruiseSetSig	902	ZFTransmission
305	ParkBrakeSol	544	CruiseOn_OffSignal	906	ZFTransmission
305A	WCLUpperDoorSignal	544A	CruiseOn-OffLed	907	ZFTransmission
306	WCLTopLights	545	CruiseResumeSig	910	L_SPEAKER_HARNESS
307		555	FanClutchSignal	911	EmergencyCutoutRlySignal
308	WCL	563	FanClutchSignal	916	5VSensorPwr
309	WCL	564B	OutZFDecelSig	917	ZFTransmission
311		583	EngineBrakeHiSig	919	ZFTransmission
313		600	ABSSensor	925	ZFTransmission
315	24v_VolvoRetarder	600A	ABSSensor	926	ZFTransmission
320	Retarder_Position	601	ABSSensor	930	ZFTransmission
341	PowerProtectionPanel	601A	ABSSensor	932	ZFTransmission
342	FireExting.Gnd	602	ABSSteering&Yawsensor	952	Gnd_StalkArm
343	Fire-EngineStopTTL	603	ABSSteering&Yawsensor	953	Electronic around DDEC VI

# CIRCUITS LIST

CircuitID	Description	CircuitID	Description	CircuitID	Description
979	EngineBrakeA	CanL_ERide		GndA	ComputerSignals
979A	EngineBrakeMedSig	CanL_In		GndOA34	
ANT	SOUND_SYSTEM	CanL_Out		GndOA37	
Aux1_Gnd	SOUND_SYSTEM	Cd	ComputerSignals	GREEN	120VACOUTLET
Aux1_L+	SOUND_SYSTEM	Cd1	ComputerSignals	GRN	
Aux1_R+	SOUND_SYSTEM	Cd1_Gnd	SOUND_SYSTEM	GRN1	SOUND_SYSTEM
Aux2_Gnd	SOUND_SYSTEM	Cd1_L+	SOUND_SYSTEM	GRN2	SOUND_SYSTEM
Aux2_L+	SOUND_SYSTEM	Cd1_R+	SOUND_SYSTEM	H1_L+	SOUND_SYSTEM
Aux_R+	SOUND_SYSTEM	Cd2_Gnd	SOUND_SYSTEM	H1_L-	SOUND_SYSTEM
B1A	DirectLighting	Cd2_L+	SOUND_SYSTEM	H1_R+	SOUND_SYSTEM
B1B	DirectLighting	Cd2_R+	SOUND_SYSTEM	H1_R-	SOUND_SYSTEM
B2A	DirectLighting	CD3_Gnd	SOUND_SYSTEM	H2_L+	SOUND_SYSTEM
B2B	DirectLighting	CD3_L+	SOUND_SYSTEM	H2_L-	SOUND_SYSTEM
B3A	DirectLighting	CD3_R+	SOUND_SYSTEM	H2_R+	SOUND_SYSTEM
B3B	DirectLighting	Chgr	BatteryChargerGnd	H2_R-	SOUND_SYSTEM
B4A	DirectLighting	Chgr_C	SOUND_SYSTEM	H2_RL-	
B4B	DirectLighting	Chgr_L	SOUND_SYSTEM	HOSTESS	SOUND_SYSTEM
B5A	DirectLighting	Chgr_R	SOUND_SYSTEM	IPJ1	Cluster
B5B	DirectLighting	COM		IPJ2	Cluster
B6A	DirectLighting	com		IPJ5	Cluster
B6B	DirectLighting	Cts	ComputerSignals	IPJ6	Cluster
B7A	DirectLighting	D1	UpperWiperMotor	IPJ7	Cluster
B7B	DirectLighting	DATA	SOUND_SYSTEM	IPJ8	Cluster
blabla		DBusH		J1939H	J1939Signals
BLACK	Starter_Volvo	DBusL		J1939L	J1939Signals
BLK1	SOUND_SYSTEM	DOWN	Flip_Down_Screen	L+	
BLK2	SOUND_SYSTEM	DSL+++	GPS	LF+	PSRCEL_RACK_SOUND_HARNESS
BikFR	TPMS	DSL---	GPS	LF-	SOUND_SYSTEM
BikRL	TPMS	DSR+++	GPS	LR+	PSRCEL_RACK_SOUND_HARNESS
BikRR	TPMS	DSR---	DRIVER_SPEAKERS	LR-	SOUND_SYSTEM
Bref1	PassengerSensor	DVD1_Gnd	Sound_System	LX5	ClusterKeyPad
CAN2H	EngineCan2	DVD1_L+	Sound_System	LX6	ClusterKeyPad
CAN2L	EngineCan2	DVD1_R+	Sound_System	LX7	ClusterKeyPad
CanH	CanHSignal	DVD1_RL-		LX16	ClusterKeyPad
CanH1		Dvd2_Gnd	SOUND_SYSTEM	LX21	ClusterKeyPad
CanHInA34		Dvd2_L+	SOUND_SYSTEM	L_DRIVER	SOUND_SYSTEM
CanHOut		Dvd2_R+	SOUND_SYSTEM	Mute	GPS
CanH_ERide		Engine_Can+	EngineCan	N1	A41Address
CanH_In		Engine_Can-	EngineCan	N2	A41Address
CanL	CanLSignal	FAKE	L_SPEAKER_HARNESS	N3	A42Address
CanL1		FAKE1	R_SPEAKER_HARNESS	N4	A42Address
CanLInA34		FLIP	Flip_Down_Screen	N5	A43Address
CanLOut		fuiif	i	N6	A43Address

# CIRCUITS LIST

CircuitID	Description	CircuitID	Description	CircuitID	Description
N7	A44Address	PANA_LR-		SL24	L_SPEAKER_HARNESS
N8	A44Address	PANA_R+		SL35	L_SPEAKER_HARNESS
N9	A45Address	PwrOA34		SL46	L_SPEAKER_HARNESS
N10	A45Address	PwrOA37		SL57	L_SPEAKER_HARNESS
N11	A46Address	R+		SL68	L_SPEAKER_HARNESS
N12	A46Address	RED	Starter_volvo	SL1012	L_SPEAKER_HARNESS
N13	A47Address	RED1	SOUND_SYSTEM	SL1113	L_SPEAKER_HARNESS
N14	A47Address	RED2	SOUND_SYSTEM	SL1214	L_SPEAKER_HARNESS
N15	A48Address	RedRL	TPMS	SL1315	L_SPEAKER_HARNESS
N16	A48Address	RedRR	TPMS	SL1416	L_SPEAKER_HARNESS
N17	A49Address	Ref1	GndPassengerSensor	sp52	EvaporatorEngageSig
N18	A49Address	Rem1	GPS	spare2	SparesFr-to-RearHarness
N19	A50Address	Rem2	GPS	spare3	SWinverter
N20	A50Address	Rem3	GPS	spare4	SparesEvap.Harness
N21	A51Address	RF+	SOUND_SYSTEM	spare5	SparesEvap.Harness
N22	A51Address	RF-	SOUND_SYSTEM	spare6	SparesEvap.Harness
N23	A52Address	RFip		spare7	SparesEvap.Harness
N24	A52Address	RR		spare8	SparesEvap.Harness
N25	A53Address	RR+	SOUND_SYSTEM	spare9	SparesEvap.Harness
N26	A53Address	RR-	SOUND_SYSTEM	spare10	SparesInteriorLtsHarness
N27	A54Address	RT	ZFTransmission	spare11	SparesInteriorLtsHarness
N28	A54Address	Rts	ComputerSignals	spare12	SparesInteriorHarness
N29	A36Address	RTV	SOUND_SYSTEM	spare13	SparesInteriorHarness
N30	addressA55	RX	TPMS	spare14	SparesInteriorHarness
N31	addressA55	R_DRIVER	SOUND_SYSTEM	spare15	SparesInteriorHarness
NavSpk+++	GPS	RedFR	TPMS	spare16	SparesInteriorHarness
NavSpk---	GPS	RxD	ComputerSignals	spare17	
OFB3	GND_TPMS	SAT	powertvreceiver	spare18	
OP		SE1		spare19	
OP1	12vCaptainChair1	SH1	I_ShiftGearLevelSignal	spare20	SparesClearanceLts
OP2	12vCaptainChair2	SH2	I_ShiftGearLevelSignal	spare21	SparesClearanceLts
OP12VI		SH3	I_ShiftGearLevelSignal	spare22	SparesClearanceLts
OPM	24vSwRoofFan1	SH4	I_ShiftGearLevelSignal	spare23	SparesClearanceLts
OPMV1	24vFanRoof1	SH5	I_ShiftGearLevelSignal	spare24	SparesClearanceLts
OPMV2	24VFanRoof2	SH6	I_ShiftGearLevelSignal	spare25	SparesClearanceLts
OPR1		SH7	I_ShiftGearLevelSignal	spare26	SparesFrontHarness
OPS		SH8	I_ShiftGearLevelSignal	spare27	SparesFrontHarness
OPST		SHD1	SOUND_SYSTEM	spare28	SparesFrontHarness
OR	TagUnloadValve	SHD2		spare29	SparesFrontHarness
ORA2	GndR25etR11	SHIELD	jack_3_5mm	spare30	SparesFrontHarness
ORB4	TagUnload	SHLD	SOUND_SYSTEM	spare31	SparesFrontHarness
OSS2		SHLD2		spare32	SparesFrontHarness
PANA L+		SL13	L_SPEAKER_HARNESS	spare33	SparesFrontHarness



# CIRCUITS LIST

CircuitID	Description	CircuitID	Description	CircuitID	Description
spare34	SparesFrontHarness	SR1416	R_SPEAKER_HARNESS_WCL	Y5B	DirectLighting
spare35	SparesFrontHarness	Sub1+	SUBWOOFER_HARNESS	Y6A	DirectLighting
spare36	SparesFrontHarness	Sub1-	SUBWOOFER_HARNESS	Y6B	DirectLighting
spare37	SparesFrontHarness	Sub2+	SUBWOOFER_HARNESS	Y7A	DirectLighting
spare38	SparesFrontHarness	Sub2-	SUBWOOFER_HARNESS	Y7B	DirectLighting
spare39	SparesDash	SW	ZFtransmission	zf1	SteeringCtrl
spare40	SparesDash	TEST		zf2	SteeringCtrl
spare41	SparesDash	TEST1	SOUND_SYSTEM	ZF_Can1_H	ZFTransmission
spare42	SparesDash	TRIG1	SOUND_SYSTEM	ZF_Can1_L	ZFTransmission
spare43	SparesDash	TRIG2	SOUND_SYSTEM	ZF_Can2_H	ZFTransmission
spare44	SparesDash	TRIG3	SOUND_SYSTEM	ZF_Can2_L	ZFTransmission
spare45	SparesFr-to-RearHarness	TRIG4	SOUND_SYSTEM		
spare46	SparesFr-to-RearHarness	TRIG5	SOUND_SYSTEM		
spare49	SparesEngineCradle	TRIG_SAT	SOUND_SYSTEM		
spare50	SparesEngineCradle	TX	TPMS		
spare51	SparesEngineCradle	TxD	ComputerSignals		
spare52	SparesEngineCradle	UP	Flip_Down_Screen		
spare53	SparesEngineCradle	VI11	12V_Sup		
spare54	SparesEngineCradle	VI14			
spare55	SparesEnginesAccessories	WC2	WCLRemoteCtrl		
spare56	SparesEnginesAccessories	WC3	WCLRemoteCtrl		
spare57	SparesEnginesAccessories	WC4	WCLRemoteCtrl		
spare58	SparesEnginesAccessories	WC6	WCLRemoteCtrl		
spare59	SparesEnginesAccessories	WC7	WCL		
spare60	SparesEnginesAccessories	WHITE	120VACOUTLET		
spare61	SparesEnginesAccessories	WHT1	SOUND_SYSTEM		
spare62	spareABSHarness	WHT2	SOUND_SYSTEM		
spare63	spareABSHarness	WhtFR	dataTPMS		
spare64	SapreTransmission	WhtRL	dataTPMS		
spare65	SparesTransmission	WhtRR	dataTPMS		
spWcl1	SpareWCL	XM_L+			
spWcl2	SpareWCL	XM_L-			
SR13	FR_SPEAKER_HARNESS_	XM_R+			
SR24	FR_SPEAKER_HARNESS_	XM_R-			
SR35	FR_SPEAKER_HARNESS_	Y1A	DirectLighting		
SR46	FR_SPEAKER_HARNESS_	Y1B	DirectLighting		
SR57	FR_SPEAKER_HARNESS_	Y2A	DirectLighting		
SR68	FR_SPEAKER_HARNESS_	Y2B	DirectLighting		
SR911	R_SPEAKER_HARNESS_WCL	Y3A	DirectLighting		
SR1012	R_SPEAKER_HARNESS_WCL	Y3B	DirectLighting		
SR1113	R_SPEAKER_HARNESS_WCL	Y4A	DirectLighting		
SR1214	R_SPEAKER_HARNESS_WCL	Y4B	DirectLighting		
SR1315	R_SPEAKER_HARNESS_WCL	Y5A	DirectLiantina		

## CIRCUIT BREAKERS CODE

No.	Location	#Prev.	Function	Rating	Page
CB1	RJB	562683	24VIfront	90amp	3.1
CB2	RJB	563425	12VD	90amp	3.1
CB3	RJB	562683	24VIEvaporator	90amp	3.1
CB4	RJB	563418	12VDSoundSystem	30amp	3.1
CB5	RJB	562684	24VIRear	150amp	3.1
CB6	RJB	563424	24VD	70amp	3.1
CB7	RJB	562687	24VICondensor	70amp	3.1
CB8	RJB	562686	12VIRear	40amp	3.1
CB9	RJB	563355	WCL	50amp	3.1
CB10	RJB	562687	12VIFront	70amp	3.1
CB11	RJB	563594	24VDSoundSystem	35amp	3.1
CB12	RJB	562686	12VICondensor	40amp	3.1

# CIRCUIT BREAKERS CODE

No	Location	Part #	Function	Rating	Page
CB1	RJB	562683	24VIFront	90amp	3.1
CB2	RJB	563425	12VD	90amp	3.1
CB3	RJB	562683	24VIEvaporator	90amp	3.1
CB4	RJB	563418	12VDSoundSystem	30amp	3.1
CB5	RJB	562684	24VIRear	150amp	3.1
CB6	RJB	563424	24VD	70amp	3.1
CB7	RJB	562687	24VICondensor	70amp	3.1
CB8	RJB	562686	12VIRear	40amp	3.1
CB9	RJB	563355	WCL	50amp	3.1
CB10	RJB	562687	12VIFront	70amp	3.1
CB11	RJB	563594	24VDSoundSystem	35amp	3.1
CB12	RJB	562686	12VICondensor	40amp	3.1
CB13	RJB	563355	GalleyPwr	50amp	3.1
CB14	RJB	562683	GalleyPwr	90amp	3.1









## CONNECTORS LIST

No	Location	#Prev	Housing Gender	No	Location	#Prev	Housing Gender
A1.CS	RJB	562817	male	A28	Service Cmpt.	562928	male
A1.CT	RJB	562822	male	A29	Dash	562465	male
A1.CV	RJB	562823	male	A36.JA	FJB	562767	male
A2	Service Cmpt.	562825	male	A36.JB	FJB	562765	male
A3	Dash	562363	male	A36.JC	FJB	562957	male
A4	Service Cmpt.	562428	female	A41.J1	FJB	562767	male
A4	Service Cmpt.	561188	female	A41.J2	FJB	563132	male
A5	Service Cmpt.	562428	female	A41.J3	FJB	562957	male
A6	Engine Cmpt.	562427	male	A42.J1	FJB	562767	male
A7	Engine Cmpt.	562536	male	A42.J2	FJB	563132	male
A8	Engine Cmpt.	563403	female	A42.J3	FJB	562957	male
A9.Cx1	FJB	563200	male	A43.J1	FJB	562767	male
A9.Cx2	FJB	563201	male	A43.J2	FJB	563132	male
A10.X1	Engine Cmpt.	563135	male	A43.J3	FJB	562957	male
A10.X3	Engine Cmpt.	563134	female	A44.J1	FJB	563133	male
A11	Left Hand Console	563142	male	A44.J2	FJB	563132	male
A12	Dash	562464	male	A44.J3	FJB	562957	male
A13.J1	FJB	562794	male	A45.J1	FJB	563133	male
A13.J2	FJB	562650	male	A45.J2	FJB	563132	male
A14.CX	Dash	562957	male	A45.J3	FJB	562957	male
A14.CY	Dash	562765	male	A46.J1	FJB	563133	male
A14.LX	Dash	562766	male	A46.J2	FJB	563132	male
A14.LY	Dash	562767	male	A46.J3	FJB	562957	male
A14.RX	Dash	562767	male	A47	Right Hand Console	562957	male
A15	Dash	562464	male	A47.J1	Right Hand Console	563133	male
A16	Front Roof	561637	male	A47.J2	Right Hand Console	563132	male
A18	FJB	562794	male	A48	Right Hand Console	562957	male
A18.J2	FJB	562650	male	A48.J1	Right Hand Console	563133	male
A19	Left Hand Console	562878	female	A48.J2	Right Hand Console	563132	male
A20	Parcel Rack LH	561477	female	A49.J1	RJB	562767	male
A21	Rear Axle Cmpt.	kostalF	female	A49.J2	RJB	563132	male
A22	Left Hand Console	563338	male	A49.J3	RJB	562957	male
A23	RJB	563053	male	A50.J1	RJB	563133	male
A24	Right Hand Console	561889	female	A50.J2	RJB	563132	male
A24.A	Right Hand Console	561890	male	A50.J3	RJB	562957	male
A24.B	Right Hand Console	561566	female	A51.J1	RJB	563133	male
A25	Driver Area	563025	male	A51.J2	RJB	563132	male
A27	Service Cmpt.	562929	male	A51.J3	RJB	562957	male



## CONNECTORS LIST

No	Location	#Prev	Housing Gender	No	Location	#Prev	Housing Gender
A52.J1	RJB	563133	male	C10	Evap. Cmpt.	561566	female
A52.J2	RJB	563132	male	C11	Service Cmpt.	563580	male
A52.J3	RJB	562957	male	C11	Service Cmpt.	563581	female
A53.J1	RJB	563133	male	C12_plug	RJB	562485	male
A53.J2	RJB	563132	male	C12_socket	RJB	562486	female
A53.J3	RJB	562957	male	C13	Right Hand Console	563589	male
A54.J1	Evap. Cmpt.	563133	male	C13	Right Hand Console	563590	female
A54.J2	Evap. Cmpt.	563132	male	C13S	Right Hand Console	563589	male
A54.J3	Evap. Cmpt.	562957	male	C13S	Right Hand Console	563590	female
Alt1	Engine Cmpt.	562862	female	C14	Evap. Cmpt.	561986	male
Alt1.A	Engine Cmpt.	560815	female	C14	Evap. Cmpt.	561987	female
Alt1.B	Engine Cmpt.	560815	female	C15	Luggage Cmpt.	561643	male
Alt2	Engine Cmpt.	560815	female	C15	Luggage Cmpt.	561642	female
Alt2	Engine Cmpt.	560815	female	C16	RJB	561577	male
Alt2	Engine Cmpt.	562862	female	C16	RJB	561605	female
C1	Service Cmpt.	563589	male	C17	RJB	561986	male
C1	Service Cmpt.	563590	female	C17	RJB	561987	female
C1S	Service Cmpt.	563589	male	C18	FJB	561986	male
C1S	Service Cmpt.	563590	female	C18	FJB	561987	female
C2	Service Cmpt.	563580	male	C19	RJB	561986	male
C2	Service Cmpt.	563581	female	C19	RJB	561987	female
C3	RJB	563589	male	C20	FJB	562477	male
C3	RJB	563590	female	C20	FJB	562479	female
C3S_plug	RJB	563589	male	C21A	RJB	561646	male
C3S_socket	RJB	563590	female	C21A	RJB	561645	female
C4	Service Cmpt.	563580	male	C21B	RJB	561646	male
C4	Service Cmpt.	563581	female	C21B	RJB	561645	female
C5	Service Cmpt.	563589	male	C22	RJB	561847	male
C5	Service Cmpt.	563590	female	C22	RJB	561862	female
C5S	Service Cmpt.	563589	male	C23	5th Lugg. Cmpt	561847	male
C5S	Service Cmpt.	563590	female	C23	5th Lugg. Cmpt	561862	female
C6	Service Cmpt.	563582	male	C24_plug	Evap. Cmpt.	561690	male
C6	Service Cmpt.	563583	female	C24_socket	Evap. Cmpt.	561566	female
C8	RJB	561550	male	C25	FJB	562477	male
C8	RJB	561667	female	C25	FJB	562479	female
C9	Evap. Cmpt.	561986	male	C26_plug	RJB	562485	male
C9	Evap. Cmpt.	561987	female	C26_socket	RJB	562486	female
C10	Evap. Cmpt.	561690	male	C27	FJB	562477	male

## CONNECTORS LIST

No	Location	#Prev	Housing Gender	No	Location	#Prev	Housing Gender
C27	FJB	562479	female	C45	FJB	561643	male
C28	RJB	562485	male	C45	FJB	561642	female
C28	RJB	562486	female	C46	FJB	561577	male
C29	5th Lugg Cmpt	563651	male	C46	FJB	561605	female
C29	5th Lugg Cmpt	563652	female	C48	Service Cmpt.	561690	male
C30	5th Lugg Cmpt.	561710	male	C48	Service Cmpt.	561566	female
C30	5th Lugg Cmpt.	561709	female	C50	Engine Cmpt.	560933	male
C31	RJB	561734	male	C50	Engine Cmpt.	561932	female
C31	RJB	561735	female	C51	Engine Cmpt.	562477	male
C32	5th Lugg Cmpt.	561550	male	C51	Engine Cmpt.	562479	female
C32	5th Lugg Cmpt.	561667	female	C52	Right Hand Console	563589	male
C33	RH Front Roof	561550	male	C52	Right Hand Console	563590	female
C33	RH Front Roof	561667	female	C55	Evap. Cmpt.	561577	male
C34	Right Hand Console	561986	male	C55	Evap. Cmpt.	561605	female
C34	Right Hand Console	561987	female	C66	Engine Cmpt.	561577	male
C35	RJB	562283	male	C66	Engine Cmpt.	561605	female
C35	RJB	562280	female	C69	Rr Axle Inside PVC	561607	male
C36	FJB	561986	male	C69	Rr Axle Inside PVC	561606	female
C36	FJB	561987	female	C71	Service Cmpt.	561646	male
C36.A	Engine Cmpt.	561701	female	C71	Service Cmpt.	561645	female
C36.B	Engine Cmpt.	561701	female	C72	Service Cmpt.	561646	male
C36.C	Engine Cmpt.	561701	female	C72	Service Cmpt.	561645	female
C37	Parcel Rack LH	562557	male	C74	Service Cmpt.	561645	female
C37	Parcel Rack LH	562558	female	C74	Service Cmpt.	561646	male
C38	Parcel Rack RH	562555	male	C82	Right Hand Console	562069	male
C38	Parcel Rack RH	562556	female	C82	Right Hand Console	562070	female
C39	Dash	561539	male	C87	Lavatory	561637	male
C39	Dash	561540	female	C87	Lavatory	561636	female
C40	Dash	562485	male	C91	RJB	562285	male
C40	Dash	562486	female	C91	RJB	562282	female
C41	RJB	561690	male	C92	FJB	561640	male
C41	RJB	561566	female	C92	FJB	561639	female
C42	Dash	561904	female	C96	Fr Axle Accessories	561583	male
C42	Dash	561626	female	C96	Fr Axle Accessories	561585	female
C43	Lavatory	561661	female	C97	Rr Axle Acc Inside PVC	561607	male
C43	Lavatory	561662	male	C97	Rr Axle Acc Inside PVC	561606	female
C44_plug	FJB	561577	male	C100	5th Lugg Cmpt.	563589	male
C44_socket	FJB	561605	female	C100	5th Lugg Cmpt.	563590	female

## CONNECTORS LIST

No	Location	#Prev	Housing Gender	No	Location	#Prev	Housing Gender
C100S	5th Lugg Cmpt.	563589	male	C260	Service Cmpt.	561607	male
C100S	5th Lugg Cmpt.	563590	female	C260	Service Cmpt.	561606	female
C101	Service Cmpt.	561690	male	C269	RH Console	563090	male
C101	Service Cmpt.	561566	female	C269	RH Console	563091	female
C119	Engine Door	561607	male	C279	Service Cmpt.	562477	male
C119	Engine Door	561606	female	C279	Service Cmpt.	562479	female
C120	Engine Door	561607	male	C380	Dash	563180	male
C120	Engine Door	561606	female	C380	Dash	563347	female
C121	Engine Door	561690	male	C394	FJB	560852	male
C121	Engine Door	561566	female	C394	FJB	560851	female
C144	Under LH Seat	560852	male	C397	RJB	562285	male
C144	Under LH Seat	560851	female	C397	RJB	562282	female
C152	Condensor Cmpt.	561611	male	C426	Engine Cmpt	561782	male
C152	Condensor Cmpt.	561610	female	C426	Engine Cmpt	561781	female
C168	Above Rear Axle	561690	male	C430	LH Console	562363	male
C168	Above Rear Axle	561566	female	C430	LH Console	561188	female
C171	Service Cmpt.	561646	male	C452	Dash	562549	male
C171	Service Cmpt.	561645	female	C452	Dash	562550	female
C183	Service Cmpt.	561611	male	C463	Engine Cmpt.	562570	female
C183	Service Cmpt.	561610	female	C463	Engine Cmpt.	562571	male
C205	Front Parcel Rack RH	561662	male	C464	RJB	563180	male
C205	Front Parcel Rack RH	561661	female	C464	RJB	563347	female
C210	Front Parcel Rack LH	561662	male	C506	FJB	561687	male
C210	Front Parcel Rack LH	561661	female	C506	FJB	561685	female
C212	WCL Door.	561515	male	C575	Rr Section RH Hat Rack	562503	male
C212	WCL Door.	561552	female	C575	Rr Section RH Hat Rack	562507	female
C230	Engine Cmpt.	562485	male	C576	Rr Section RH Hat Rack	561550	male
C230	Engine Cmpt.	562486	female	C576	Rr Section RH Hat Rack	561667	female
C239	Service Cmpt.	561690	male	C577	Rr Section LH Hat Rack	561550	male
C239	Service Cmpt.	561566	female	C577	Rr Section LH Hat Rack	561667	female
C240	Service Cmpt.	561607	male	C578	Rr Section LH Hat Rack	562503	male
C240	Service Cmpt.	561606	female	C578	Rr Section LH Hat Rack	562507	female
C242	Service Cmpt.	562789	male	C581	Under dash Board	562777	male
C242	Service Cmpt.	565131	female	C581	Under dash Board	mating_562777	female
C243	Service Cmpt.	562789	male	C582	FJB	561690	female
C243	Service Cmpt.	565131	female	C582	FJB	561566	female
C246	Service Cmpt.	563090	male	C589	Service Cmpt.	563088	male
C246	Service Cmpt.	563091	female	C589	Service Cmpt.	563089	female

## CONNECTORS LIST

No	Location	#Prev	Housing Gender	No	Location	#Prev	Housing Gender
C590	RH Console	563088	male	L6.A	Parcel Rack RH	562758	male
C590	RH Console	563089	female	L6.B	Parcel Rack RH	562759	male
C601	LH Roof Win Ajar	561476	male	L7.A	Parcel Rack RH	562758	male
C601	LH Roof Win Ajar	561477	female	L7.B	Parcel Rack RH	562759	male
C603	RH Roof Win Ajar	561476	male	L8.A	Parcel Rack RH	562758	male
C603	RH Roof Win Ajar	561477	female	L8.B	Parcel Rack RH	562759	male
C611	Parcel Rack RH	562557	male	L9.A	Parcel Rack LH	562758	male
C611	Parcel Rack RH	562558	female	L9.B	Parcel Rack LH	562759	male
C612_plug	Parcel Rack RH	562555	male	L10.A	Parcel Rack LH	562758	male
C612_socket	Parcel Rack RH	562556	female	L10.B	Parcel Rack LH	562759	male
C613_plug	Parcel Rack RH	561550	male	L11.A	Parcel Rack LH	562758	male
C613_socket	Parcel Rack RH	561667	female	L11.B	Parcel Rack LH	562759	male
C717	RJB	561643	male	L12.A	Parcel Rack LH	562758	male
C717	RJB	561642	female	L12.B	Parcel Rack LH	562759	male
C720	Rear Axle Cmpt.	563358	male	L13.A	Parcel Rack LH	562758	male
C720	Rear Axle Cmpt.	563359	female	L13.B	Parcel Rack LH	562759	male
C721	RJB	561515	male	L14.A	Parcel Rack LH	562758	male
C721	RJB	561552	female	L14.B	Parcel Rack LH	562759	male
C723	Rear Axle Cmpt.	562877	female	L15.A	Parcel Rack LH	562758	male
C723	Rear Axle Cmpt.	562884	female	L15.B	Parcel Rack LH	562759	male
CSX1	Engine Cmpt.	563135	male	L16	Front Roof	562803	male
CSX1	Engine Cmpt.	563134	female	L17	Front Roof	562803	male
CSX3	Engine Cmpt.	563135	male	L18	Entrance_Door	562486	female
CSX3	Engine Cmpt.	563134	female	L19	Entrance_Door	562486	female
CT1	RJB	561515	male	L20	Entrance_Door	562486	female
CT1	RJB	561552	female	L21.A	Front Roof	561608	female
CT2	Engine Cmpt.	561607	male	L21.B	Front Roof	562286	male
CT2	Engine Cmpt.	561606	female	L22.A	Front Roof	561608	female
CT3	Engine Cmpt.	563352	male	L22.B	Front Roof	562286	male
CT3	Engine Cmpt.	563350	female	L23.A	Front Roof	561608	female
L1	Service Cmpt.	562848	male	L23.B	Front Roof	562286	male
L2	Front Roof	561247	male	L24.A	Front Roof	561608	female
L3.A	Parcel Rack RH	562758	male	L24.B	Front Roof	562286	male
L3.B	Parcel Rack RH	562759	male	L25.A	Front Roof	561608	female
L4.A	Parcel Rack RH	562758	male	L25.B	Front Roof	562286	male
L4.B	Parcel Rack RH	562759	male	L26.A	Front Roof	561608	female
L5.A	Parcel Rack RH	562758	male	L26.B	Front Roof	562286	male
L5.B	Parcel Rack RH	562759	male	L27.A	Front Roof	561608	female

## CONNECTORS LIST

No	Location	#Prev	Housing Gender	No	Location	#Prev	Housing Gender
L27.B	Front Roof	562286	male	L63	Outside_Front_RH	562155	male
L28	Parcel Rack LH	560898	male	L64	Outside_Front_RH	562155	male
L29	Parcel Rack LH	560898	male	L65	Outside_Front_LH	562155	male
L30	Parcel Rack LH	560898	male	L66	Outside_Front_LH	562155	male
L31	Parcel Rack LH	560898	male	L67	3rd Lugg Cmpt.	562155	male
L32	Parcel Rack LH	560898	male	L68	3rd Lugg Cmpt.	562155	male
L33	Parcel Rack LH	560898	male	L69	3rd Lugg Cmpt.	562155	male
L34	Parcel Rack LH	560898	male	L70	3rd Lugg Cmpt.	562155	male
L35	Parcel Rack LH	560898	male	L71	Rear_Engine_Door	562601	male
L36	Parcel Rack LH	560898	male	L72	Rear_Vehicle	562155	male
L37	Parcel Rack LH	560898	male	L73	Rear_Vehicle	562601	male
L38	Parcel Rack LH	560898	male	L74	Rear_Vehicle	562155	male
L39	Parcel Rack LH	560898	male	L75	Rear_Vehicle	562155	male
L40	Parcel Rack RH	560898	male	L76	Rear_Engine_Door	562155	male
L41	Parcel Rack RH	560898	male	L77	Rear_Engine_Door	562601	male
L42	Parcel Rack RH	560898	male	L78	Rear_Engine_Door	562601	male
L43	Parcel Rack RH	560898	male	L79	Rear_Engine_Door	562601	male
L44	Parcel Rack RH	560898	male	L80	Rear_Engine_Door	562601	male
L45	Parcel Rack RH	560898	male	L81.A	Rear_Engine_Door	562835	female
L46	Parcel Rack RH	560898	male	L81.B	Rear_Engine_Door	562834	male
L47	Parcel Rack RH	560898	male	L82	Rear_Engine_Door	562348	female
L48	Parcel Rack RH	560898	male	L83	Rear_Engine_Door	562348	female
L49	Parcel Rack RH	560898	male	L84.A	Rear Roof	561608	female
L50	Parcel Rack RH	560898	male	L84.B	Rear Roof	562286	male
L51	Parcel Rack RH	560898	male	L85.A	Rear Roof	561608	female
L52	Driver Area	560898	male	L85.B	Rear Roof	562286	male
L53	Passenger Area	560898	male	L86.A	Rear Roof	561608	female
L54	Passenger Area	560898	male	L86.B	Rear Roof	562286	male
L55	Passenger Area	560898	male	L87.A	Rear Roof	561608	female
L56	Passenger Area	560898	male	L87.B	Rear Roof	562286	male
L57	Passenger Area	560898	male	L88.A	Rear Roof	561608	female
L58	Passenger Area	560898	male	L88.B	Rear Roof	562286	male
L59.A	Outside_Front_RH	562623	male	L89.A	Rear Roof	561608	female
L59.B	Outside_Front_RH	562623	male	L89.B	Rear Roof	562286	male
L60.A	Outside_Front_LH	562623	male	L90.A	Rear Roof	561608	female
L60.B	Outside_Front_LH	562623	male	L90.B	Rear Roof	562286	male
L61	Outside_Front_RH	562601	male	L91	Engine Cmpt.	562755	male
L62	Outside_Front_LH	562601	male	L92	Engine Cmpt.	562755	male

## CONNECTORS LIST

No	Location	#Prev	Housing Gender	No	Location	#Prev	Housing Gender
L93.A	Engine Cmpt.	mating_563069	female	L127	Parcel Rack RH	562758	male
L93.B	Engine Cmpt.	mating_563069	female	L128	Parcel Rack RH	562758	male
L94.A	Engine Cmpt.	563069	female	L129	Parcel Rack RH	562758	male
L94.B	Engine Cmpt.	563069	female	L130	Parcel Rack RH	562758	male
L95	Outside_Front_LH	562902	female	L131	Parcel Rack RH	562758	male
L96	Outside_Front_RH	562902	female	L132	Parcel Rack RH	562758	male
L97.A	Outside_Front_LH	563069	female	L134	Parcel Rack LH	562758	male
L97.B	Outside_Front_LH	563069	female	L135	Parcel Rack LH	562758	male
L98.A	Entrance_Door	563069	female	L136	Parcel Rack LH	562758	male
L98.B	Outside_Front_RH	563069	female	L137	Parcel Rack LH	562758	male
L99	Parcel Rack LH	560898	male	L138	Parcel Rack LH	562758	male
L100	Parcel Rack LH	560898	male	L139	Parcel Rack LH	562758	male
L101	Parcel Rack LH	560898	male	L140	Lavatory	561247	male
L102	Parcel Rack LH	560898	male	L141	Lavatory	560898	male
L103	Parcel Rack LH	560898	male	L142	Lavatory	562803	male
L104	Parcel Rack LH	560898	male	L143	Front Roof	561247	male
L105	Parcel Rack LH	560898	male	L144.A	Parcel Rack LH	562756	male
L106	Parcel Rack LH	560898	male	L144.B	Parcel Rack LH	562505	female
L107	Parcel Rack LH	560898	male	L145.A	Parcel Rack LH	562756	male
L108	Parcel Rack LH	560898	male	L145.B	Parcel Rack LH	562505	female
L109	Parcel Rack LH	560898	male	L146.A	Parcel Rack LH	562756	male
L110	Parcel Rack LH	560898	male	L146.B	Parcel Rack LH	562505	female
L111	Parcel Rack LH	560898	male	L147.A	Parcel Rack LH	562756	male
L112	Parcel Rack LH	560898	male	L147.B	Parcel Rack LH	562505	female
L113	Parcel Rack RH	560898	male	L148.A	Parcel Rack LH	562756	male
L114	Parcel Rack RH	560898	male	L148.B	Parcel Rack LH	562505	female
L115	Parcel Rack RH	560898	male	L149.A	Parcel Rack LH	562756	male
L116	Parcel Rack RH	560898	male	L149.B	Parcel Rack LH	562505	female
L117	Parcel Rack RH	560898	male	L150.A	Parcel Rack LH	562756	male
L118	Parcel Rack RH	560898	male	L150.B	Parcel Rack LH	562505	female
L119	Parcel Rack RH	560898	male	L151.A	Parcel Rack LH	562756	male
L120	Parcel Rack RH	560898	male	L151.B	Parcel Rack LH	562505	female
L121	Parcel Rack RH	560898	male	L152.A	Parcel Rack LH	562756	male
L122	Parcel Rack RH	560898	male	L152.B	Parcel Rack LH	562505	female
L123	Parcel Rack RH	560898	male	L153.A	Parcel Rack LH	562756	male
L124	Parcel Rack RH	560898	male	L153.B	Parcel Rack LH	562505	female
L125	Parcel Rack RH	560898	male	L154.A	Parcel Rack LH	562756	male
L126	Parcel Rack RH	560898	male	L154.B	Parcel Rack LH	562505	female

## CONNECTORS LIST

No	Location	#Prev	Housing Gender	No	Location	#Prev	Housing Gender
L155.A	Parcel Rack LH	562756	male	L175	RJB	561247	male
L155.B	Parcel Rack LH	562505	female	L176	5th Lugg Cmpt.	561247	male
L156.A	Parcel Rack LH	562756	male	L177	5th Lugg Cmpt.	561247	male
L156.B	Parcel Rack LH	562505	female	L178	3rd Lugg Cmpt.	561247	male
L157.A	Parcel Rack LH	562756	male	L179	3rd Lugg Cmpt.	561247	male
L157.B	Parcel Rack LH	562505	female	L180	2nd Lugg Cmpt.	561247	male
L158.A	Parcel Rack LH	562756	male	L181	2nd Lugg Cmpt.	561247	male
L158.B	Parcel Rack LH	562505	female	L182	1st Lugg Cmpt.	561247	male
L159.A	Parcel Rack RH	562756	male	L183	1st Lugg Cmpt.	561247	male
L159.B	Parcel Rack RH	562505	female	L184	Service Cmpt.	561247	male
L160.A	Parcel Rack RH	562756	male	L187	Engine Cmpt.	561690	male
L160.B	Parcel Rack RH	562505	female	L188	Service Cmpt.	562486	female
L161.A	Parcel Rack RH	562756	male	L189	Outside_Front_RH	562069	male
L161.B	Parcel Rack RH	562505	female	L190	Outside_Front_LH	562069	male
L162.A	Parcel Rack RH	562756	male	L191	Parcel Rack LH	561550	male
L162.B	Parcel Rack RH	562505	female	L192	Parcel Rack LH	560898	male
L163.A	Parcel Rack RH	562756	male	L193.A	Dash	560488	female
L163.B	Parcel Rack RH	562505	female	L193.B	Dash	560488	female
L164.A	Parcel Rack RH	562756	male	L194.A	Left Hand Console	562019	female
L164.B	Parcel Rack RH	562505	female	L194.B	Left Hand Console	560488	female
L165.A	Parcel Rack RH	562756	male	L195.A	Dash	560488	female
L165.B	Parcel Rack RH	562505	female	L195.B	Dash	560488	female
L166.A	Parcel Rack RH	562756	male	L199	Engine Cmpt.	562471	male
L166.B	Parcel Rack RH	562505	female	L200	Engine Cmpt.	562471	male
L167.A	Parcel Rack RH	562756	male	L201	Front Roof	561247	male
L167.B	Parcel Rack RH	562505	female	L202	Front Roof	561247	male
L168.A	Parcel Rack RH	562756	male	L203	Right Hand Console	562471	male
L168.B	Parcel Rack RH	562505	female	L205	Evap. Cmpt.	562485	male
L169.A	Parcel Rack RH	562756	male	L206	Parcel Rack RH	562803	male
L169.B	Parcel Rack RH	562505	female	L207.A	5th Lugg Cmpt.	561699	female
L170.A	Parcel Rack RH	562756	male	L207.B	5th Lugg Cmpt.	561699	female
L170.B	Parcel Rack RH	562505	female	L207.C	5th Lugg Cmpt.	561701	female
L171.A	Parcel Rack RH	562756	male	L207.D	5th Lugg Cmpt.	561699	female
L171.B	Parcel Rack RH	562505	female	L207.E	5th Lugg Cmpt.	561701	female
L172	Parcel Rack RH	562756	male	L207.F	5th Lugg Cmpt.	561699	female
L172.B	Parcel Rack RH	562505	female	L207.G	5th Lugg Cmpt.	561699	female
L173	Engine Cmpt.	563268	male	L207.H	5th Lugg Cmpt.	560926	female
L174	Engine Cmpt.	563268	male	L207.I	5th Lugg Cmpt.	560926	female

## CONNECTORS LIST

No	Location	#Prev	Housing Gender	No	Location	#Prev	Housing Gender
L208	Outside_Front_LH	563088	male	L233.B	Parcel Rack RH	562759	male
L209	Outside_Front_RH	563088	male	L234.A	Parcel Rack RH	562758	male
L211	Entrance_Door	562486	female	L234.B	Parcel Rack RH	562759	male
L213.A	Parcel Rack RH	561248	female	L235.A	Parcel Rack RH	562758	male
L213.B	Parcel Rack RH	561248	female	L235.B	Parcel Rack RH	562759	male
L214.A	Parcel Rack RH	561248	female	L236.A	Parcel Rack RH	562758	male
L214.B	Parcel Rack RH	561248	female	L236.B	Parcel Rack RH	562759	male
L215.A	Parcel Rack RH	561248	female	L238.A	Parcel Rack RH	561248	female
L215.B	Parcel Rack RH	561248	female	L238.B	Parcel Rack RH	561248	female
L216.A	Parcel Rack RH	561248	female	L239.A	Parcel Rack RH	561248	female
L216.B	Parcel Rack RH	561248	female	L239.B	Parcel Rack RH	561248	female
L217.A	Parcel Rack RH	561248	female	L240.A	Parcel Rack RH	561248	female
L217.B	Parcel Rack RH	561248	female	L240.B	Parcel Rack RH	561248	female
L218.A	Parcel Rack RH	561248	female	L241.A	Parcel Rack RH	561248	female
L218.B	Parcel Rack RH	561248	female	L241.B	Parcel Rack RH	561248	female
L219.A	Parcel Rack LH	561248	female	L242.A	Parcel Rack RH	561248	female
L219.B	Parcel Rack LH	561248	female	L242.B	Parcel Rack RH	561248	female
L220.A	Parcel Rack LH	561248	female	L244.A	Parcel Rack RH	562756	male
L220.B	Parcel Rack LH	561248	female	L244.B	Parcel Rack RH	562505	female
L221.A	Parcel Rack LH	561248	female	L245.A	Parcel Rack RH	562756	male
L221.B	Parcel Rack LH	561248	female	L245.B	Parcel Rack RH	562505	female
L222.A	Parcel Rack LH	561248	female	L246.A	Parcel Rack RH	562756	male
L222.B	Parcel Rack LH	561248	female	L246.B	Parcel Rack RH	562505	female
L223.A	Parcel Rack LH	561248	female	L247.A	Parcel Rack RH	562756	male
L223.B	Parcel Rack LH	561248	female	L247.B	Parcel Rack RH	562505	female
L224.A	Parcel Rack LH	561248	female	L248.A	Parcel Rack RH	562756	male
L224.B	Parcel Rack LH	561248	female	L248.B	Parcel Rack RH	562505	female
L225.A	Parcel Rack LH	561248	female	L249.A	Parcel Rack RH	562756	male
L225.B	Parcel Rack LH	561248	female	L249.B	Parcel Rack RH	562505	female
L226	Parcel Rack RH	562758	male	L250	Parcel Rack RH	562756	male
L227	Parcel Rack RH	562758	male	L250	Parcel Rack RH	562505	female
L228	Parcel Rack RH	562758	male	L251	Parcel Rack RH	562756	male
L229	Parcel Rack RH	562758	male	L251	Parcel Rack RH	562505	female
L230	Parcel Rack RH	562758	male	L252	Parcel Rack RH	562756	male
L231	Parcel Rack RH	562758	male	L252	Parcel Rack RH	562505	female
L232.A	Parcel Rack RH	562758	male	L253	Parcel Rack RH	562756	male
L232.B	Parcel Rack RH	562759	male	L253	Parcel Rack RH	562505	female
L233.A	Parcel Rack RH	562758	male	L254	Parcel Rack RH	562756	male



## CONNECTORS LIST

No	Location	#Prev	Housing Gender	No	Location	#Prev	Housing Gender
L254	Parcel Rack RH	562505	female	Mo8.A	Cond.Cmpt.	560102	female
L255	Parcel Rack RH	562756	male	Mo8.B	Cond.Cmpt.	560102	female
L255	Parcel Rack RH	562505	female	Mo10	Parcel Rack LH	561515	male
L256	Parcel Rack RH	562756	male	Mo11	Parcel Rack RH	561515	male
L256	Parcel Rack RH	562505	female	Mo12	Evap. Cmpt.	561690	male
L257	Parcel Rack RH	562756	male	Mo13	Engine Cmpt.	561690	female
L257	Parcel Rack RH	562505	female	Mo14	Parcel Rack RH	561566	female
L258	Parcel Rack RH	560898	male	Mo15	Front Roof	560900	female
L259	Parcel Rack RH	560898	male	Mo16	Front Roof	560900	female
L260	Parcel Rack RH	560898	male	Mo17	Service Cmpt.	561848	male
L261	Parcel Rack RH	560898	male	Mo18.A	Service Cmpt.	560488	female
L262	Parcel Rack RH	560898	male	Mo18.B	Service Cmpt.	560488	female
L263	Parcel Rack RH	560898	male	Mo19.A	Service Cmpt.	560488	female
L264	Parcel Rack RH	560898	male	Mo19.B	Service Cmpt.	560488	female
L266	Parcel Rack RH	560898	male	Mo20.A	Service Cmpt.	560488	female
L267	Parcel Rack RH	560898	male	Mo20.B	Service Cmpt.	560488	female
L268	Parcel Rack RH	560898	male	Mo21	Front Roof	561186	male
L269	Parcel Rack RH	560898	male	Mo22	Right Hand Console	561186	male
L270	Parcel Rack RH	560898	male	Mo24	Right Hand Console	562348	female
L271	Parcel Rack RH	560898	male	Mo25	Right Hand Console	562348	female
L272	Parcel Rack RH	560898	male	Pot1.A	Dash	560488	female
L273	Parcel Rack RH	560898	male	Pot1.B	Dash	560488	female
L274	Parcel Rack RH	560898	male	Pot1.C	Dash	560488	female
L275	Parcel Rack RH	560898	male	R2	RJB	561183	male
L276	Parcel Rack RH	560898	male	R3	RJB	563409	male
L277	Parcel Rack RH	560898	male	R5	RJB	561183	male
L278	Parcel Rack RH	560898	male	R6	RJB	561183	male
L279	Parcel Rack RH	560898	male	R8	RJB	561183	male
L280	Parcel Rack RH	560898	male	R9	Evap. Cmpt.	563409	male
L281	Parcel Rack RH	560898	male	R10	Evap. Cmpt.	563409	male
Mo1	Engine Cmpt.	561690	female	R11	RJB	561183	male
Mo2	Engine Cmpt.	561782	male	R12	Evap. Cmpt.	563409	male
Mo3	Dash	561667	female	R13	RJB	561183	male
Mo4	Dash	562076	male	R14	RJB	562367	male
Mo5	Front Roof	561550	female	R15	RJB	561183	male
Mo6	Service Cmpt.	561690	male	R16	Dash	561183	male
Mo7.A	Cond.Cmpt.	560102	female	R17	RJB	562367	male
Mo7.B	Cond.Cmpt.	560102	female	R18	FJB	562367	male

## CONNECTORS LIST

No	Location	#Prev	Housing Gender	No	Location	#Prev	Housing Gender
R19	FJB	562367	male	Se14.A	Driver Area	561782	male
R20	Evap. Cmpt.	561183	male	Se14.B	Driver Area	561781	female
R22	FJB VECF	561183	male	Se15	Right Hand Console	560898	male
R23	Right Hand Console	561183	male	Se16	Entrance_Door	562348	female
R24	FJB	561183	male	Se17	Entrance_Door	560081	female
R25	RJB	561183	male	Se18.A	Service Cmpt.	560815	female
R26	Cond.Cmpt.	561183	male	Se18.B	Service Cmpt.	560815	female
Res1.A	Front Roof	butt_splice	female	Se19.A	Service Cmpt.	560082	female
Res1.B	FJB	butt_splice	female	Se19.B	Service Cmpt.	560082	female
Res3	RJB	563590	female	Se19.C	Service Cmpt.	560082	female
Res4	Right Hand Console	563590	female	Se19.D	Service Cmpt.	560082	female
Res5	Dash	563590	female	Se20	Evap. Cmpt.	562426	male
Res6	Dash	563590	female	Se21	Dash	561248	female
Res7	FJB	563590	female	Se22	Engine Cmpt.	563404	female
Res8.A	Front Roof	butt_splice	female	Se23	Engine Cmpt.	563159	male
Res8.B	Front Roof	butt_splice	female	Se24	Engine Cmpt.	563159	male
Res9.A	Dash	butt_splice	female	Se25	Passenger Area	561248	female
Res9.B	Dash	butt_splice	female	Se26	Service Cmpt.	561690	female
Res10.A	RJB	butt_splice	female	Se27	Front_Axle_Cmpt.	561111	female
Res10.B	RJB	butt_splice	female	Se28	Service Cmpt.	561690	female
Res11.A	Front Roof	butt_splice	female	Se29	Engine Cmpt.	561566	female
Res11.B	Front Roof	butt_splice	female	Se30	Engine Cmpt.	561690	female
Res12	Engine Cmpt.	563590	female	Se31	Engine Cmpt.	561690	female
Se1	Engine Cmpt.	562486	female	Se32	Engine Cmpt.	563057	male
Se2	Engine Cmpt.	562486	female	Se33	Engine Cmpt.	562856	male
Se3	RJB	562486	female	Se34	Engine Cmpt.	563057	male
Se4	Window_RH	561477	female	Se35	Engine Cmpt.	563057	male
Se5	Window_RH	561477	female	Se37	Front_Axle_Cmpt.	561132	female
Se6	Window_RH	561477	female	Se38	Front_Axle_Cmpt.	561132	female
Se7	Window_LH	561477	female	Se39	Rear Axle Cmpt.	561132	female
Se8	Window_LH	561477	female	Se40	Rear Axle Cmpt.	561132	female
Se9	Window_LH	561477	female	Se41	Engine Cmpt.	562486	female
Se10	Window_LH	561477	female	Se42	Engine Cmpt.	563340	male
Se11.A	Cond.Cmpt.	560082	male	Se43	Engine Cmpt.	563340	male
Se11.B	Cond.Cmpt.	560082	male	Se44.A	Above Rear Axle	560082	female
Se11.C	Cond.Cmpt.	560082	male	Se44.B	Above Rear Axle	560082	female
Se12	Engine Cmpt.	561690	female	Se45	Service Cmpt.	562426	male
Se13	Engine Cmpt.	562350	male	Se46	Above Rear Axle	561566	female

## CONNECTORS LIST

No	Location	#Prev	Housing Gender	No	Location	#Prev	Housing Gender
So1	Engine Cmpt.	561566	female	Spk6.B	Parcel Rack LH	562648	female
So3	Right Hand Console	641385	male	Spk7.A	Parcel Rack LH	562651	female
So4	Right Hand Console	641385	male	Spk7.B	Parcel Rack LH	562648	female
So5	Right Hand Console	641385	male	Spk8.A	Parcel Rack RH	562651	female
So6	Right Hand Console	641385	male	Spk8.B	Parcel Rack RH	562648	female
So7	Service Cmpt.	561566	male	Spk9.A	Parcel Rack RH	562651	female
So8	Service Cmpt.	563204	female	Spk9.B	Parcel Rack RH	562648	female
So9	Engine Cmpt	561566	female	Spk10.A	Parcel Rack RH	562651	female
So9	Engine Cmpt.	561566	female	Spk10.B	Parcel Rack RH	562648	female
So10	Cond.Cmpt.	562485	male	Spk11.A	Parcel Rack RH	562651	female
So11	Cond.Cmpt.	561566	female	Spk11.B	Parcel Rack RH	562648	female
So12	Evap. Cmpt.	561566	female	Spk12.A	Parcel Rack RH	562651	female
So13	Evap. Cmpt.	563204	female	Spk12.B	Parcel Rack RH	562648	female
So14	Service Cmpt.	641385	male	Spk13.A	Parcel Rack RH	562651	female
So15	Service Cmpt.	641385	male	Spk13.B	Parcel Rack RH	562648	female
So16	Service Cmpt.	641385	male	Spk14.A	Parcel Rack RH	562651	female
So17	Service Cmpt.	641385	male	Spk14.B	Parcel Rack RH	562648	female
So18	Service Cmpt.	641385	male	Spk15.A	Parcel Rack RH	562651	female
So19	Service Cmpt.	641385	male	Spk15.B	Parcel Rack RH	562648	female
So20	Service Cmpt.	641385	male	Spk16.A	Parcel Rack RH	562651	female
So21	Front_Axle_Cmpt.	561098	male	Spk16.B	Parcel Rack RH	562648	female
So22	Front_Axle_Cmpt.	561098	male	Spk17.A	Parcel Rack RH	562651	female
So23	Rear Axle Cmpt.	561098	male	Spk17.B	Parcel Rack RH	562648	female
So24	Rear Axle Cmpt.	561098	male	Spk18.A	Parcel Rack RH	562651	female
So25	Above Rear Axle	641949	male	Spk18.B	Parcel Rack RH	562648	female
So26	Service Cmpt.	641385	male	Spk19.A	Parcel Rack RH	562651	female
So27	Above Rear Axle	641385	male	Spk19.B	Parcel Rack RH	562648	female
Spk1.A	Parcel Rack LH	562651	female	Spk20.A	Parcel Rack RH	562651	female
Spk1.B	Parcel Rack LH	562648	female	Spk20.B	Parcel Rack RH	562648	female
Spk2.A	Parcel Rack LH	562651	female	Spk21.A	Parcel Rack RH	562651	female
Spk2.B	Parcel Rack LH	562648	female	Spk21.B	Parcel Rack RH	562648	female
Spk3.A	Parcel Rack LH	562651	female	Sw1.C258	Driver Area	561188	female
Spk3.B	Parcel Rack LH	562648	female	Sw1.C259	Driver Area	561186	male
Spk4.A	Parcel Rack LH	562651	female	Sw2	Dash	562763	male
Spk4.B	Parcel Rack LH	562648	female	Sw3	Dash	562763	male
Spk5.A	Parcel Rack LH	562651	female	Sw4	Dash	562763	male
Spk5.B	Parcel Rack LH	562648	female	Sw5	Dash	562763	male
Spk6.A	Parcel Rack LH	562651	female	Sw6	Dash	562763	male

## CONNECTORS LIST

No	Location	#Prev	Housing Gender	No	Location	#Prev	Housing Gender
Sw7.A	Cond.Cmpt.	562403	female	Sw43	Service Cmpt.	561690	male
Sw7.B	Cond.Cmpt.	562403	female	Sw44.A	Service Cmpt.	562403	female
Sw8	Dash	562763	male	Sw44.B	Service Cmpt.	562403	female
Sw9	Dash	562763	male	Sw45.A	5th Lugg Cmpt.	562403	female
Sw10	Dash	562763	male	Sw45.B	5th Lugg Cmpt.	562403	female
Sw11	Dash	562763	male	Sw46.A	5th Lugg Cmpt.	562403	female
Sw12	Dash	562763	male	Sw46.B	5th Lugg Cmpt.	562403	female
Sw13	Dash	562763	male	Sw47.A	3rd Lugg Cmpt.	562403	female
Sw14	Dash	562763	male	Sw47.B	3rd Lugg Cmpt.	562403	female
Sw15	Dash	562763	male	Sw48.A	3rd Lugg Cmpt.	562403	female
Sw16	Dash	562763	male	Sw48.B	3rd Lugg Cmpt.	562403	female
Sw17	Dash	562763	male	Sw49.A	2nd Lugg Cmpt.	562403	female
Sw18	Dash	562763	male	Sw49.B	2nd Lugg Cmpt.	562403	female
Sw19	Dash	562763	male	Sw50.A	2nd Lugg Cmpt.	562403	female
Sw20	Dash	562763	male	Sw50.B	2nd Lugg Cmpt.	562403	female
Sw21	Dash	562763	male	Sw51.A	1st Lugg Cmpt.	562403	female
Sw22	Dash	562763	male	Sw51.B	1st Lugg Cmpt.	562403	female
Sw23	Dash	562763	male	Sw52	1st Lugg Cmpt.	562403	female
Sw24	Dash	562763	male	Sw52.B	1st Lugg Cmpt.	562403	female
Sw25	Dash	562763	male	Sw53	Parcel Rack LH	562651	female
Sw26	Dash	562763	male	Sw54.A	Lavatory	562835	female
Sw27	Dash	562763	male	Sw54.B	Lavatory	562834	male
Sw28	Left Hand Console	562763	male	Sw55.A	Lavatory	560488	female
Sw29	Dash	562763	male	Sw55.B	Lavatory	560488	female
Sw30		561566	female	Sw56.A	Lavatory	560488	female
Sw31	WCL Door.	563543	male	Sw56.B	Lavatory	560488	female
Sw32	Dash	561477	female	Sw57	WCL Door.	563543	male
Sw33	Dash	561476	male	Sw58	Engine Cmpt.	562581	male
Sw34	Outside_Front_RH	562477	male	Sw59	Engine Cmpt.	562485	male
Sw35	Dash	562763	male	Sw60	Engine Cmpt.	561566	female
Sw36	Left Hand Console	562763	male	Sw64.A	Service Cmpt.	560815	female
Sw37	Left Hand Console	562763	male	Sw64.B	Service Cmpt.	560815	female
Sw38	Left Hand Console	562763	male	Sw65	Parcel Rack LH	562651	female
Sw39.A	RJB	562403	female	Sw66	Parcel Rack LH	562651	female
Sw39.B	RJB	562403	female	Sw67	Parcel Rack LH	562651	female
Sw40	Left Hand Console	561690	male	Sw68	Parcel Rack LH	562651	female
Sw41	Left Hand Console	562749	male	Sw69	Parcel Rack LH	562651	female
Sw42	5th Lugg Cmpt.	561635	female	Sw70	Parcel Rack LH	562651	female

## CONNECTORS LIST

No	Location	#Prev	Housing Gender	No	Location	#Prev	Housing Gender
Sw71	Parcel Rack LH	562651	female	Sw96.B	WCL Door.	561626	female
Sw72	Parcel Rack LH	562651	female	Sw96.C	WCL Door.	561626	female
Sw73	Parcel Rack RH	562651	female	Sw97.A	WCL Door.	561626	female
Sw74	Parcel Rack RH	562651	female	Sw97.B	WCL Door.	561626	female
Sw75	Parcel Rack RH	562651	female	Sw97.C	WCL Door.	561626	female
Sw76	Parcel Rack RH	562651	female	Sw98.A	WCL Door.	561626	female
Sw77	Parcel Rack RH	562651	female	Sw98.B	WCL Door.	561626	female
Sw78	Parcel Rack RH	562651	female	Sw98.C	WCL Door.	561626	female
Sw79	Parcel Rack RH	562651	female	Sw99	Dash	562763	male
Sw80	Parcel Rack RH	562651	female	Sw100	Dash	562763	male
Sw81.A	Dash	562905	male	Sw101	Left Hand Console	562763	male
Sw81.B	Dash	562905	male	VECF1	FJB	563186	male
Sw82.A	RJB	561457	female	VECF1	FJB	mating_563186	female
Sw82.B	RJB	561457	female	VECF2	FJB	563183	male
Sw82.C	RJB	561457	female	VECF2	FJB	mating_563183	female
Sw82.D	RJB	561457	female	VECF3	FJB	563185	male
Sw83.A	Dash	560082	female	VECF3	FJB	mating_563185	female
Sw83.B	Dash	560815	female	VECF4	FJB	563182	male
Sw83.C	Dash	560082	female	VECF4	FJB	mating_563182	female
Sw83.D	Dash	560815	female	VECF10	FJB	563181	male
Sw84.A	Service Cmpt.	562477	male	VECF10	FJB	mating_563181	female
Sw84.B	Service Cmpt.	560488	female	VECF11	FJB	563184	male
Sw85	Left Hand Console	562749	male	VECF11	FJB	mating_563184	female
Sw86	Parcel Rack RH	562651	female	VECF12	FJB	563187	male
Sw87	Parcel Rack RH	562651	female	VECF12	FJB	mating_563187	female
Sw88	Parcel Rack RH	562651	female	VECR1	RJB	563186	male
Sw89	Parcel Rack RH	562651	female	VECR1	RJB	mating_563186	female
Sw90	Parcel Rack RH	562651	female	VECR2	RJB	563183	male
Sw91	Parcel Rack RH	562651	female	VECR2	RJB	mating_563183	female
Sw92	Parcel Rack RH	562651	female	VECR3	RJB	563185	male
Sw93	Parcel Rack RH	562651	female	VECR3	RJB	mating_563185	female
Sw94.A	WCL Door.	560079	female	VECR4	RJB	563182	male
Sw94.B	WCL Door.	560079	female	VECR4	RJB	mating_563182	female
Sw94.C	WCL Door.	560079	female	VECR9	RJB	563448	male
Sw95.A	WCL Door.	561626	female	VECR9	RJB	mating_563448	female
Sw95.B	WCL Door.	561626	female	VECR10	RJB	563181	male
Sw95.C	WCL Door.	561626	female	VECR10	RJB	mating_563181	female
Sw96.A	WCL Door.	561626	female	VECR11	RJB	563184	male

# CONNECTORS LIST

No	Location	#Prev	Housing Gender	No	Location	#Prev	Housing Gender
VECR11	RJB	mating_563184	female				
VECR12	RJB	563187	male				
VECR12	RJB	mating_563187	female				

## CONNECTORS LIST

No	Location	#Prev	Housing Gender	No	Location	#Prev	Housing Gender
A1.CS	RJB	562817	male	A28	Service Cmpt.	562928	male
A1.CT	RJB	562822	male	A29	Dash	562465	male
A1.CV	RJB	562823	male	A36.JA	FJB	562767	male
A2	Service Cmpt.	562825	male	A36.JB	FJB	562765	male
A3	Dash	562363	male	A36.JC	FJB	562957	male
A4	Service Cmpt.	562428	female	A41.J1	FJB	562767	male
A4	Service Cmpt.	561188	female	A41.J2	FJB	563132	male
A5	Service Cmpt.	562428	female	A41.J3	FJB	562957	male
A6	Engine Cmpt.	562427	male	A42.J1	FJB	562767	male
A7	Engine Cmpt.	562536	male	A42.J2	FJB	563132	male
A8	Engine Cmpt.	563403	female	A42.J3	FJB	562957	male
A9.Cx1	FJB	563200	male	A43.J1	FJB	562767	male
A9.Cx2	FJB	563201	male	A43.J2	FJB	563132	male
A10.X1	Engine Cmpt.	563135	male	A43.J3	FJB	562957	male
A10.X3	Engine Cmpt.	563134	female	A44.J1	FJB	563133	male
A11	Left Hand Console	563142	male	A44.J2	FJB	563132	male
A12	Dash	562464	male	A44.J3	FJB	562957	male
A13.J1	FJB	562794	male	A45.J1	FJB	563133	male
A13.J2	FJB	562650	male	A45.J2	FJB	563132	male
A14.CX	Dash	562957	male	A45.J3	FJB	562957	male
A14.CY	Dash	562765	male	A46.J1	FJB	563133	male
A14.LX	Dash	562766	male	A46.J2	FJB	563132	male
A14.LY	Dash	562767	male	A46.J3	FJB	562957	male
A14.RX	Dash	562767	male	A47	Right Hand Console	562957	male
A15	Dash	562464	male	A47.J1	Right Hand Console	563133	male
A16	Front Roof	561637	male	A47.J2	Right Hand Console	563132	male
A18	FJB	562794	male	A48	Right Hand Console	562957	male
A18.J2	FJB	562650	male	A48.J1	Right Hand Console	563133	male
A19	Left Hand Console	562878	female	A48.J2	Right Hand Console	563132	male
A20	Parcel Rack LH	561477	female	A49.J1	RJB	562767	male
A21	Rear Axle Cmpt.	kostalF	female	A49.J2	RJB	563132	male
A22	Left Hand Console	563338	male	A49.J3	RJB	562957	male
A23	RJB	563053	male	A50.J1	RJB	563133	male
A24	Right Hand Console	561889	female	A50.J2	RJB	563132	male
A24.A	Right Hand Console	561890	male	A50.J3	RJB	562957	male
A24.B	Right Hand Console	561566	female	A51.J1	RJB	563133	male
A25	Driver Area	563025	male	A51.J2	RJB	563132	male
A27	Service Cmpt.	562929	male	A51.J3	RJB	562957	male

## CONNECTORS LIST

No	Location	#Prev	Housing Gender	No	Location	#Prev	Housing Gender
A52.J1	RJB	563133	male	C10	Evap. Cmpt.	561566	female
A52.J2	RJB	563132	male	C11	Service Cmpt.	563580	male
A52.J3	RJB	562957	male	C11	Service Cmpt.	563581	female
A53.J1	RJB	563133	male	C12_plug	RJB	562485	male
A53.J2	RJB	563132	male	C12_socket	RJB	562486	female
A53.J3	RJB	562957	male	C13	Right Hand Console	563589	male
A54.J1	Evap. Cmpt.	563133	male	C13	Right Hand Console	563590	female
A54.J2	Evap. Cmpt.	563132	male	C13S	Right Hand Console	563589	male
A54.J3	Evap. Cmpt.	562957	male	C13S	Right Hand Console	563590	female
Alt1	Engine Cmpt.	562862	female	C14	Evap. Cmpt.	561986	male
Alt1.A	Engine Cmpt.	560815	female	C14	Evap. Cmpt.	561987	female
Alt1.B	Engine Cmpt.	560815	female	C15	Luggage Cmpt.	561643	male
Alt2	Engine Cmpt.	560815	female	C15	Luggage Cmpt.	561642	female
Alt2	Engine Cmpt.	560815	female	C16	RJB	561577	male
Alt2	Engine Cmpt.	562862	female	C16	RJB	561605	female
C1	Service Cmpt.	563589	male	C17	RJB	561986	male
C1	Service Cmpt.	563590	female	C17	RJB	561987	female
C1S	Service Cmpt.	563589	male	C18	FJB	561986	male
C1S	Service Cmpt.	563590	female	C18	FJB	561987	female
C2	Service Cmpt.	563580	male	C19	RJB	561986	male
C2	Service Cmpt.	563581	female	C19	RJB	561987	female
C3	RJB	563589	male	C20	FJB	562477	male
C3	RJB	563590	female	C20	FJB	562479	female
C3S_plug	RJB	563589	male	C21A	RJB	561646	male
C3S_socket	RJB	563590	female	C21A	RJB	561645	female
C4	Service Cmpt.	563580	male	C21B	RJB	561646	male
C4	Service Cmpt.	563581	female	C21B	RJB	561645	female
C5	Service Cmpt.	563589	male	C22	RJB	561847	male
C5	Service Cmpt.	563590	female	C22	RJB	561862	female
C5S	Service Cmpt.	563589	male	C23	5th Lugg. Cmpt	561847	male
C5S	Service Cmpt.	563590	female	C23	5th Lugg. Cmpt	561862	female
C6	Service Cmpt.	563582	male	C24_plug	Evap. Cmpt.	561690	male
C6	Service Cmpt.	563583	female	C24_socket	Evap. Cmpt.	561566	female
C8	RJB	561550	male	C25	FJB	562477	male
C8	RJB	561667	female	C25	FJB	562479	female
C9	Evap. Cmpt.	561986	male	C26_plug	RJB	562485	male
C9	Evap. Cmpt.	561987	female	C26_socket	RJB	562486	female
C10	Evap. Cmpt.	561690	male	C27	FJB	562477	male



## CONNECTORS LIST

No	Location	#Prev	Housing Gender	No	Location	#Prev	Housing Gender
C27	FJB	562479	female	C45	FJB	561643	male
C28	RJB	562485	male	C45	FJB	561642	female
C28	RJB	562486	female	C46	FJB	561577	male
C29	5th Lugg Cmpt	563651	male	C46	FJB	561605	female
C29	5th Lugg Cmpt	563652	female	C48	Service Cmpt.	561690	male
C30	5th Lugg Cmpt.	561710	male	C48	Service Cmpt.	561566	female
C30	5th Lugg Cmpt.	561709	female	C50	Engine Cmpt.	560933	male
C31	RJB	561734	male	C50	Engine Cmpt.	561932	female
C31	RJB	561735	female	C51	Engine Cmpt.	562479	male
C32	5th Lugg Cmpt.	561550	male	C51	Engine Cmpt.	562477	female
C32	5th Lugg Cmpt.	561667	female	C52	Right Hand Console	563589	male
C33	RH Front Roof	561550	male	C52	Right Hand Console	563590	female
C33	RH Front Roof	561667	female	C55	Evap. Cmpt.	561577	male
C34	Right Hand Console	561986	male	C55	Evap. Cmpt.	561605	female
C34	Right Hand Console	561987	female	C66	Engine Cmpt.	561577	male
C35	RJB	562283	male	C66	Engine Cmpt.	561605	female
C35	RJB	562280	female	C69	Rr Axle Inside PVC	561607	male
C36	FJB	561986	male	C69	Rr Axle Inside PVC	561606	female
C36	FJB	561987	female	C71	Service Cmpt.	561646	male
C36.A	Engine Cmpt.	561701	female	C71	Service Cmpt.	561645	female
C36.B	Engine Cmpt.	561701	female	C72	Service Cmpt.	561646	male
C36.C	Engine Cmpt.	561701	female	C72	Service Cmpt.	561645	female
C37	Parcel Rack LH	562557	male	C74	Service Cmpt.	561645	female
C37	Parcel Rack LH	562558	female	C74	Service Cmpt.	561646	male
C38	Parcel Rack RH	562555	male	C82	Right Hand Console	562069	male
C38	Parcel Rack RH	562556	female	C82	Right Hand Console	562070	female
C39	Dash	561539	male	C87	Lavatory	561637	male
C39	Dash	561540	female	C87	Lavatory	561636	female
C40	Dash	562485	male	C91	RJB	562285	male
C40	Dash	562486	female	C91	RJB	562282	female
C41	RJB	561690	male	C92	FJB	561640	male
C41	RJB	561566	female	C92	FJB	561639	female
C42	Dash	561904	female	C96	Fr Axle Accessories	561583	male
C42	Dash	561626	female	C96	Fr Axle Accessories	561585	female
C43	Lavatory	561661	female	C97	Rr Axle Acc Inside PVC	561607	male
C43	Lavatory	561662	male	C97	Rr Axle Acc Inside PVC	561606	female
C44_plug	FJB	561577	male	C100	5th Lugg Cmpt.	563589	male
C44_socket	FJB	561605	female	C100	5th Lugg Cmpt.	563590	female

## CONNECTORS LIST

No	Location	#Prev	Housing Gender	No	Location	#Prev	Housing Gender
C100S	5th Lugg Cmpt.	563589	male	C260	Service Cmpt.	561607	male
C100S	5th Lugg Cmpt.	563590	female	C260	Service Cmpt.	561606	female
C101	Service Cmpt.	561690	male	C269	RH Console	563090	male
C101	Service Cmpt.	561566	female	C269	RH Console	563091	female
C119	Engine Door	561607	male	C279	Service Cmpt.	562477	male
C119	Engine Door	561606	female	C279	Service Cmpt.	562479	female
C120	Engine Door	561607	male	C380	Dash	563180	male
C120	Engine Door	561606	female	C380	Dash	563347	female
C121	Engine Door	561690	male	C394	FJB	560852	male
C121	Engine Door	561566	female	C394	FJB	560851	female
C144	Under LH Seat	560852	male	C397	RJB	562285	male
C144	Under LH Seat	560851	female	C397	RJB	562282	female
C152	Condensor Cmpt.	561611	male	C426	Engine Cmpt	561782	male
C152	Condensor Cmpt.	561610	female	C426	Engine Cmpt	561781	female
C168	Above Rear Axle	561690	male	C430	LH Console	562363	male
C168	Above Rear Axle	561566	female	C430	LH Console	561188	female
C171	Service Cmpt.	561646	male	C452	Dash	562549	male
C171	Service Cmpt.	561645	female	C452	Dash	562550	female
C183	Service Cmpt.	561611	male	C463	Engine Cmpt.	562570	female
C183	Service Cmpt.	561610	female	C463	Engine Cmpt.	562571	male
C205	Front Parcel Rack RH	561662	male	C464	RJB	563180	male
C205	Front Parcel Rack RH	561661	female	C464	RJB	563347	female
C210	Front Parcel Rack LH	561662	male	C506	FJB	561687	male
C210	Front Parcel Rack LH	561661	female	C506	FJB	561685	female
C212	WCL Door.	561515	male	C575	Rr Section RH Hat Rack	562503	male
C212	WCL Door.	561552	female	C575	Rr Section RH Hat Rack	562507	female
C230	Engine Cmpt.	562485	male	C576	Rr Section RH Hat Rack	561550	male
C230	Engine Cmpt.	562486	female	C576	Rr Section RH Hat Rack	561667	female
C239	Service Cmpt.	561690	male	C577	Rr Section LH Hat Rack	561550	male
C239	Service Cmpt.	561566	female	C577	Rr Section LH Hat Rack	561667	female
C240	Service Cmpt.	561607	male	C578	Rr Section LH Hat Rack	562503	male
C240	Service Cmpt.	561606	female	C578	Rr Section LH Hat Rack	562507	female
C242	Service Cmpt.	562789	male	C581	Under dash Board	562777	male
C242	Service Cmpt.	565131	female	C581	Under dash Board	mating_562777	female
C243	Service Cmpt.	562789	male	C582	FJB	561690	female
C243	Service Cmpt.	565131	female	C582	FJB	561566	female
C246	Service Cmpt.	563090	male	C589	Service Cmpt.	563088	male
C246	Service Cmpt.	563091	female	C589	Service Cmpt.	563089	female

## CONNECTORS LIST

No	Location	#Prev	Housing Gender	No	Location	#Prev	Housing Gender
C590	RH Console	563088	male	L7.A	Parcel Rack RH	562758	male
C590	RH Console	563089	female	L7.B	Parcel Rack RH	562759	male
C601	LH Roof Win Ajar	561476	male	L8.A	Parcel Rack RH	562758	male
C601	LH Roof Win Ajar	561477	female	L8.B	Parcel Rack RH	562759	male
C603	RH Roof Win Ajar	561476	male	L9.A	Parcel Rack LH	562758	male
C603	RH Roof Win Ajar	561477	female	L9.B	Parcel Rack LH	562759	male
C611	Parcel Rack RH	562557	male	L10.A	Parcel Rack LH	562758	male
C611	Parcel Rack RH	562558	female	L10.B	Parcel Rack LH	562759	male
C612_plug	Parcel Rack RH	562555	male	L11.A	Parcel Rack LH	562758	male
C612_socket	Parcel Rack RH	562556	female	L11.B	Parcel Rack LH	562759	male
C613_plug	Parcel Rack RH	561550	male	L12.A	Parcel Rack LH	562758	male
C613_socket	Parcel Rack RH	561667	female	L12.B	Parcel Rack LH	562759	male
C717	RJB	561643	male	L13.A	Parcel Rack LH	562758	male
C717	RJB	561642	female	L13.B	Parcel Rack LH	562759	male
C720	Rear Axle Cmpt.	563358	male	L14.A	Parcel Rack LH	562758	male
C720	Rear Axle Cmpt.	563359	female	L14.B	Parcel Rack LH	562759	male
C721	RJB	561515	male	L15.A	Parcel Rack LH	562758	male
C721	RJB	561552	female	L15.B	Parcel Rack LH	562759	male
C723	Rear Axle Cmpt.	562877	female	L16	Front Roof	562803	male
C723	Rear Axle Cmpt.	562884	female	L17	Front Roof	562803	male
CSX1	Engine Cmpt.	563135	male	L18	Entrance_Door	562486	female
CSX1	Engine Cmpt.	563134	female	L19	Entrance_Door	562486	female
CSX3	Engine Cmpt.	563135	male	L20	Entrance_Door	562486	female
CSX3	Engine Cmpt.	563134	female	L21.A	Front Roof	561608	female
CT2	Engine Cmpt.	563226	male	L21.B	Front Roof	562286	male
CT2	Engine Cmpt.	563227	female	L22.A	Front Roof	561608	female
CT3	Engine Cmpt.	563352	male	L22.B	Front Roof	562286	male
CT3	Engine Cmpt.	563350	female	L23.A	Front Roof	561608	female
L1	Service Cmpt.	562848	male	L23.B	Front Roof	562286	male
L2	Front Roof	561247	male	L24.A	Front Roof	561608	female
L3.A	Parcel Rack RH	562758	male	L24.B	Front Roof	562286	male
L3.B	Parcel Rack RH	562759	male	L25.A	Front Roof	561608	female
L4.A	Parcel Rack RH	562758	male	L25.B	Front Roof	562286	male
L4.B	Parcel Rack RH	562759	male	L26.A	Front Roof	561608	female
L5.A	Parcel Rack RH	562758	male	L26.B	Front Roof	562286	male
L5.B	Parcel Rack RH	562759	male	L27.A	Front Roof	561608	female
L6.A	Parcel Rack RH	562758	male	L27.B	Front Roof	562286	male
L6.B	Parcel Rack RH	562759	male	L28	Parcel Rack LH	560898	male

## CONNECTORS LIST

No	Location	#Prev	Housing Gender	No	Location	#Prev	Housing Gender
L29	Parcel Rack LH	560898	male	L65	Outside_Front_LH	562155	male
L30	Parcel Rack LH	560898	male	L66	Outside_Front_LH	562155	male
L31	Parcel Rack LH	560898	male	L67	3rd Lugg Cmpt.	562155	male
L32	Parcel Rack LH	560898	male	L68	3rd Lugg Cmpt.	562155	male
L33	Parcel Rack LH	560898	male	L69	3rd Lugg Cmpt.	562155	male
L34	Parcel Rack LH	560898	male	L70	3rd Lugg Cmpt.	562155	male
L35	Parcel Rack LH	560898	male	L71	Rear_Engine_Door	562601	male
L36	Parcel Rack LH	560898	male	L72	Rear_Vehicle	562155	male
L37	Parcel Rack LH	560898	male	L73	Rear_Vehicle	562601	male
L38	Parcel Rack LH	560898	male	L74	Rear_Vehicle	562155	male
L39	Parcel Rack LH	560898	male	L75	Rear_Vehicle	562155	male
L40	Parcel Rack RH	560898	male	L76	Rear_Engine_Door	562155	male
L41	Parcel Rack RH	560898	male	L77	Rear_Engine_Door	562601	male
L42	Parcel Rack RH	560898	male	L78	Rear_Engine_Door	562601	male
L43	Parcel Rack RH	560898	male	L79	Rear_Engine_Door	562601	male
L44	Parcel Rack RH	560898	male	L80	Rear_Engine_Door	562601	male
L45	Parcel Rack RH	560898	male	L81.A	Rear_Engine_Door	562835	female
L46	Parcel Rack RH	560898	male	L81.B	Rear_Engine_Door	562834	male
L47	Parcel Rack RH	560898	male	L82	Rear_Engine_Door	562348	female
L48	Parcel Rack RH	560898	male	L83	Rear_Engine_Door	562348	female
L49	Parcel Rack RH	560898	male	L84.A	Rear Roof	561608	female
L50	Parcel Rack RH	560898	male	L84.B	Rear Roof	562286	male
L51	Parcel Rack RH	560898	male	L85.A	Rear Roof	561608	female
L52	Driver Area	560898	male	L85.B	Rear Roof	562286	male
L53	Passenger Area	560898	male	L86.A	Rear Roof	561608	female
L54	Passenger Area	560898	male	L86.B	Rear Roof	562286	male
L55	Passenger Area	560898	male	L87.A	Rear Roof	561608	female
L56	Passenger Area	560898	male	L87.B	Rear Roof	562286	male
L57	Passenger Area	560898	male	L88.A	Rear Roof	561608	female
L58	Passenger Area	560898	male	L88.B	Rear Roof	562286	male
L59.A	Outside_Front_RH	562623	male	L89.A	Rear Roof	561608	female
L59.B	Outside_Front_RH	562623	male	L89.B	Rear Roof	562286	male
L60.A	Outside_Front_LH	562623	male	L90.A	Rear Roof	561608	female
L60.B	Outside_Front_LH	562623	male	L90.B	Rear Roof	562286	male
L61	Outside_Front_RH	562601	male	L91	Engine Cmpt.	562755	male
L62	Outside_Front_LH	562601	male	L92	Engine Cmpt.	562755	male
L63	Outside_Front_RH	562155	male	L93.A	Engine Cmpt.	mating_563069	female
L64	Outside_Front_RH	562155	male	L93.B	Engine Cmpt.	mating_563069	female

## CONNECTORS LIST

No	Location	#Prev	Housing Gender	No	Location	#Prev	Housing Gender
L94.A	Engine Cmpt.	563069	female	L129	Parcel Rack RH	562758	male
L94.B	Engine Cmpt.	563069	female	L130	Parcel Rack RH	562758	male
L95	Outside_Front_LH	562902	female	L131	Parcel Rack RH	562758	male
L96	Outside_Front_RH	562902	female	L132	Parcel Rack RH	562758	male
L97.A	Outside_Front_LH	563069	female	L134	Parcel Rack LH	562758	male
L97.B	Outside_Front_LH	563069	female	L135	Parcel Rack LH	562758	male
L98.A	Entrance_Door	563069	female	L136	Parcel Rack LH	562758	male
L98.B	Outside_Front_RH	563069	female	L137	Parcel Rack LH	562758	male
L99	Parcel Rack LH	560898	male	L138	Parcel Rack LH	562758	male
L100	Parcel Rack LH	560898	male	L139	Parcel Rack LH	562758	male
L101	Parcel Rack LH	560898	male	L140	Lavatory	561247	male
L102	Parcel Rack LH	560898	male	L141	Lavatory	560898	male
L103	Parcel Rack LH	560898	male	L142	Lavatory	562803	male
L104	Parcel Rack LH	560898	male	L143	Front Roof	561247	male
L105	Parcel Rack LH	560898	male	L144.A	Parcel Rack LH	562756	male
L106	Parcel Rack LH	560898	male	L144.B	Parcel Rack LH	562505	female
L107	Parcel Rack LH	560898	male	L145.A	Parcel Rack LH	562756	male
L108	Parcel Rack LH	560898	male	L145.B	Parcel Rack LH	562505	female
L109	Parcel Rack LH	560898	male	L146.A	Parcel Rack LH	562756	male
L110	Parcel Rack LH	560898	male	L146.B	Parcel Rack LH	562505	female
L111	Parcel Rack LH	560898	male	L147.A	Parcel Rack LH	562756	male
L112	Parcel Rack LH	560898	male	L147.B	Parcel Rack LH	562505	female
L113	Parcel Rack RH	560898	male	L148.A	Parcel Rack LH	562756	male
L114	Parcel Rack RH	560898	male	L148.B	Parcel Rack LH	562505	female
L115	Parcel Rack RH	560898	male	L149.A	Parcel Rack LH	562756	male
L116	Parcel Rack RH	560898	male	L149.B	Parcel Rack LH	562505	female
L117	Parcel Rack RH	560898	male	L150.A	Parcel Rack LH	562756	male
L118	Parcel Rack RH	560898	male	L150.B	Parcel Rack LH	562505	female
L119	Parcel Rack RH	560898	male	L151.A	Parcel Rack LH	562756	male
L120	Parcel Rack RH	560898	male	L151.B	Parcel Rack LH	562505	female
L121	Parcel Rack RH	560898	male	L152.A	Parcel Rack LH	562756	male
L122	Parcel Rack RH	560898	male	L152.B	Parcel Rack LH	562505	female
L123	Parcel Rack RH	560898	male	L153.A	Parcel Rack LH	562756	male
L124	Parcel Rack RH	560898	male	L153.B	Parcel Rack LH	562505	female
L125	Parcel Rack RH	560898	male	L154.A	Parcel Rack LH	562756	male
L126	Parcel Rack RH	560898	male	L154.B	Parcel Rack LH	562505	female
L127	Parcel Rack RH	562758	male	L155.A	Parcel Rack LH	562756	male
L128	Parcel Rack RH	562758	male	L155.B	Parcel Rack LH	562505	female

## CONNECTORS LIST

No	Location	#Prev	Housing Gender	No	Location	#Prev	Housing Gender
L156.A	Parcel Rack LH	562756	male	L177	5th Lugg Cmpt.	561247	male
L156.B	Parcel Rack LH	562505	female	L178	3rd Lugg Cmpt.	561247	male
L157.A	Parcel Rack LH	562756	male	L179	3rd Lugg Cmpt.	561247	male
L157.B	Parcel Rack LH	562505	female	L180	2nd Lugg Cmpt.	561247	male
L158.A	Parcel Rack LH	562756	male	L181	2nd Lugg Cmpt.	561247	male
L158.B	Parcel Rack LH	562505	female	L182	1st Lugg Cmpt.	561247	male
L159.A	Parcel Rack RH	562756	male	L183	1st Lugg Cmpt.	561247	male
L159.B	Parcel Rack RH	562505	female	L184	Service Cmpt.	561247	male
L160.A	Parcel Rack RH	562756	male	L187	Engine Cmpt.	561690	male
L160.B	Parcel Rack RH	562505	female	L188	Service Cmpt.	562486	female
L161.A	Parcel Rack RH	562756	male	L189	Outside_Front_RH	562069	male
L161.B	Parcel Rack RH	562505	female	L190	Outside_Front_LH	562069	male
L162.A	Parcel Rack RH	562756	male	L191	Parcel Rack LH	561550	male
L162.B	Parcel Rack RH	562505	female	L192	Parcel Rack LH	560898	male
L163.A	Parcel Rack RH	562756	male	L193.A	Dash	560488	female
L163.B	Parcel Rack RH	562505	female	L193.B	Dash	560488	female
L164.A	Parcel Rack RH	562756	male	L194.A	Left Hand Console	562019	female
L164.B	Parcel Rack RH	562505	female	L194.B	Left Hand Console	560488	female
L165.A	Parcel Rack RH	562756	male	L195.A	Dash	560488	female
L165.B	Parcel Rack RH	562505	female	L195.B	Dash	560488	female
L166.A	Parcel Rack RH	562756	male	L199	Engine Cmpt.	562471	male
L166.B	Parcel Rack RH	562505	female	L200	Engine Cmpt.	562471	male
L167.A	Parcel Rack RH	562756	male	L201	Front Roof	561247	male
L167.B	Parcel Rack RH	562505	female	L202	Front Roof	561247	male
L168.A	Parcel Rack RH	562756	male	L203	Right Hand Console	562471	male
L168.B	Parcel Rack RH	562505	female	L205	Evap. Cmpt.	562485	male
L169.A	Parcel Rack RH	562756	male	L206	Parcel Rack RH	562803	male
L169.B	Parcel Rack RH	562505	female	L207.A	5th Lugg Cmpt.	561699	female
L170.A	Parcel Rack RH	562756	male	L207.B	5th Lugg Cmpt.	561699	female
L170.B	Parcel Rack RH	562505	female	L207.C	5th Lugg Cmpt.	561701	female
L171.A	Parcel Rack RH	562756	male	L207.D	5th Lugg Cmpt.	561699	female
L171.B	Parcel Rack RH	562505	female	L207.E	5th Lugg Cmpt.	561701	female
L172	Parcel Rack RH	562756	male	L207.F	5th Lugg Cmpt.	561699	female
L172.B	Parcel Rack RH	562505	female	L207.G	5th Lugg Cmpt.	561699	female
L173	Engine Cmpt.	563268	male	L207.H	5th Lugg Cmpt.	560926	female
L174	Engine Cmpt.	563268	male	L207.I	5th Lugg Cmpt.	560926	female
L175	RJB	561247	male	L208	Outside_Front_LH	563088	male
L176	5th Lugg Cmpt.	561247	male	L209	Outside_Front_RH	563088	male

## CONNECTORS LIST

No	Location	#Prev	Housing Gender	No	Location	#Prev	Housing Gender
L211	Entrance_Door	562486	female	L234.B	Parcel Rack RH	562759	male
L213.A	Parcel Rack RH	561248	female	L235.A	Parcel Rack RH	562758	male
L213.B	Parcel Rack RH	561248	female	L235.B	Parcel Rack RH	562759	male
L214.A	Parcel Rack RH	561248	female	L236.A	Parcel Rack RH	562758	male
L214.B	Parcel Rack RH	561248	female	L236.B	Parcel Rack RH	562759	male
L215.A	Parcel Rack RH	561248	female	L238.A	Parcel Rack RH	561248	female
L215.B	Parcel Rack RH	561248	female	L238.B	Parcel Rack RH	561248	female
L216.A	Parcel Rack RH	561248	female	L239.A	Parcel Rack RH	561248	female
L216.B	Parcel Rack RH	561248	female	L239.B	Parcel Rack RH	561248	female
L217.A	Parcel Rack RH	561248	female	L240.A	Parcel Rack RH	561248	female
L217.B	Parcel Rack RH	561248	female	L240.B	Parcel Rack RH	561248	female
L218.A	Parcel Rack RH	561248	female	L241.A	Parcel Rack RH	561248	female
L218.B	Parcel Rack RH	561248	female	L241.B	Parcel Rack RH	561248	female
L219.A	Parcel Rack LH	561248	female	L242.A	Parcel Rack RH	561248	female
L219.B	Parcel Rack LH	561248	female	L242.B	Parcel Rack RH	561248	female
L220.A	Parcel Rack LH	561248	female	L244.A	Parcel Rack RH	562756	male
L220.B	Parcel Rack LH	561248	female	L244.B	Parcel Rack RH	562505	female
L221.A	Parcel Rack LH	561248	female	L245.A	Parcel Rack RH	562756	male
L221.B	Parcel Rack LH	561248	female	L245.B	Parcel Rack RH	562505	female
L222.A	Parcel Rack LH	561248	female	L246.A	Parcel Rack RH	562756	male
L222.B	Parcel Rack LH	561248	female	L246.B	Parcel Rack RH	562505	female
L223.A	Parcel Rack LH	561248	female	L247.A	Parcel Rack RH	562756	male
L223.B	Parcel Rack LH	561248	female	L247.B	Parcel Rack RH	562505	female
L224.A	Parcel Rack LH	561248	female	L248.A	Parcel Rack RH	562756	male
L224.B	Parcel Rack LH	561248	female	L248.B	Parcel Rack RH	562505	female
L225.A	Parcel Rack LH	561248	female	L249.A	Parcel Rack RH	562756	male
L225.B	Parcel Rack LH	561248	female	L249.B	Parcel Rack RH	562505	female
L226	Parcel Rack RH	562758	male	L250	Parcel Rack RH	562756	male
L227	Parcel Rack RH	562758	male	L250	Parcel Rack RH	562505	female
L228	Parcel Rack RH	562758	male	L251	Parcel Rack RH	562756	male
L229	Parcel Rack RH	562758	male	L251	Parcel Rack RH	562505	female
L230	Parcel Rack RH	562758	male	L252	Parcel Rack RH	562756	male
L231	Parcel Rack RH	562758	male	L252	Parcel Rack RH	562505	female
L232.A	Parcel Rack RH	562758	male	L253	Parcel Rack RH	562756	male
L232.B	Parcel Rack RH	562759	male	L253	Parcel Rack RH	562505	female
L233.A	Parcel Rack RH	562758	male	L254	Parcel Rack RH	562756	male
L233.B	Parcel Rack RH	562759	male	L254	Parcel Rack RH	562505	female
L234.A	Parcel Rack RH	562758	male	L255	Parcel Rack RH	562756	male

## CONNECTORS LIST

No	Location	#Prev	Housing Gender	No	Location	#Prev	Housing Gender
L255	Parcel Rack RH	562505	female	Mo10	Parcel Rack LH	561515	male
L256	Parcel Rack RH	562756	male	Mo11	Parcel Rack RH	561515	male
L256	Parcel Rack RH	562505	female	Mo12	Evap. Cmpt.	561690	male
L257	Parcel Rack RH	562756	male	Mo13	Engine Cmpt.	561690	female
L257	Parcel Rack RH	562505	female	Mo14	Parcel Rack RH	561566	female
L258	Parcel Rack RH	560898	male	Mo15	Front Roof	560900	female
L259	Parcel Rack RH	560898	male	Mo16	Front Roof	560900	female
L260	Parcel Rack RH	560898	male	Mo17	Service Cmpt.	561848	male
L261	Parcel Rack RH	560898	male	Mo18.A	Service Cmpt.	560488	female
L262	Parcel Rack RH	560898	male	Mo18.B	Service Cmpt.	560488	female
L263	Parcel Rack RH	560898	male	Mo19.A	Service Cmpt.	560488	female
L264	Parcel Rack RH	560898	male	Mo19.B	Service Cmpt.	560488	female
L266	Parcel Rack RH	560898	male	Mo20.A	Service Cmpt.	560488	female
L267	Parcel Rack RH	560898	male	Mo20.B	Service Cmpt.	560488	female
L268	Parcel Rack RH	560898	male	Mo21	Front Roof	561186	male
L269	Parcel Rack RH	560898	male	Mo22	Right Hand Console	561186	male
L270	Parcel Rack RH	560898	male	Mo24	Right Hand Console	562348	female
L271	Parcel Rack RH	560898	male	Mo25	Right Hand Console	562348	female
L272	Parcel Rack RH	560898	male	Pot1.A	Dash	560488	female
L273	Parcel Rack RH	560898	male	Pot1.B	Dash	560488	female
L274	Parcel Rack RH	560898	male	Pot1.C	Dash	560488	female
L275	Parcel Rack RH	560898	male	R2	RJB	561183	male
L276	Parcel Rack RH	560898	male	R3	RJB	563409	male
L277	Parcel Rack RH	560898	male	R5	RJB	561183	male
L278	Parcel Rack RH	560898	male	R6	RJB	561183	male
L279	Parcel Rack RH	560898	male	R8	RJB	561183	male
L280	Parcel Rack RH	560898	male	R9	Evap. Cmpt.	563409	male
L281	Parcel Rack RH	560898	male	R10	Evap. Cmpt.	563409	male
Mo1	Engine Cmpt.	561690	female	R11	RJB	561183	male
Mo2	Engine Cmpt.	561782	male	R12	Evap. Cmpt.	563409	male
Mo3	Dash	561667	female	R13	RJB	561183	male
Mo4	Dash	562076	male	R14	RJB	562367	male
Mo5	Front Roof	561550	female	R15	RJB	561183	male
Mo6	Service Cmpt.	561690	male	R16	Dash	561183	male
Mo7.A	Cond.Cmpt.	560102	female	R17	RJB	562367	male
Mo7.B	Cond.Cmpt.	560102	female	R18	FJB	562367	male
Mo8.A	Cond.Cmpt.	560102	female	R19	FJB	562367	male
Mo8.B	Cond.Cmpt.	560102	female	R20	Evap. Cmpt.	561183	male



## CONNECTORS LIST

No	Location	#Prev	Housing Gender	No	Location	#Prev	Housing Gender
R22	FJB VECF	561183	male	Se15	Right Hand Console	560898	male
R23	Right Hand Console	561183	male	Se16	Entrance_Door	562348	female
R24	FJB	561183	male	Se17	Entrance_Door	560081	female
R25	RJB	561183	male	Se18.A	Service Cmpt.	560815	female
R26	Cond.Cmpt.	561183	male	Se18.B	Service Cmpt.	560815	female
Res1.A	Front Roof	butt_splice	female	Se19.A	Service Cmpt.	560082	female
Res1.B	FJB	butt_splice	female	Se19.B	Service Cmpt.	560082	female
Res3	RJB	563590	female	Se19.C	Service Cmpt.	560082	female
Res4	Right Hand Console	563590	female	Se19.D	Service Cmpt.	560082	female
Res5	Dash	563590	female	Se20	Evap. Cmpt.	562426	male
Res6	Dash	563590	female	Se21	Dash	561248	female
Res7	FJB	563590	female	Se22	Engine Cmpt.	563404	female
Res8.A	Front Roof	butt_splice	female	Se23	Engine Cmpt.	563159	male
Res8.B	Front Roof	butt_splice	female	Se24	Engine Cmpt.	563159	male
Res9.A	Dash	butt_splice	female	Se25	Passenger Area	561248	female
Res9.B	Dash	butt_splice	female	Se26	Service Cmpt.	561690	female
Res10.A	RJB	butt_splice	female	Se27	Front_Axle_Cmpt.	561111	female
Res10.B	RJB	butt_splice	female	Se28	Service Cmpt.	561690	female
Res11.A	Front Roof	butt_splice	female	Se29	Engine Cmpt.	561566	female
Res11.B	Front Roof	butt_splice	female	Se30	Engine Cmpt.	561690	female
Res12	Engine Cmpt.	563590	female	Se31	Engine Cmpt.	561690	female
Se1	Engine Cmpt.	562486	female	Se32	Engine Cmpt.	563057	male
Se2	Engine Cmpt.	562486	female	Se33	Engine Cmpt.	562856	male
Se3	RJB	562486	female	Se34	Engine Cmpt.	563057	male
Se4	Window_RH	561477	female	Se35	Engine Cmpt.	563057	male
Se5	Window_RH	561477	female	Se37	Front_Axle_Cmpt.	561132	female
Se6	Window_RH	561477	female	Se38	Front_Axle_Cmpt.	561132	female
Se7	Window_LH	561477	female	Se39	Rear Axle Cmpt.	561132	female
Se8	Window_LH	561477	female	Se40	Rear Axle Cmpt.	561132	female
Se9	Window_LH	561477	female	Se41	Engine Cmpt.	562486	female
Se10	Window_LH	561477	female	Se42	Engine Cmpt.	563340	male
Se11.A	Cond.Cmpt.	560082	male	Se43	Engine Cmpt.	563340	male
Se11.B	Cond.Cmpt.	560082	male	Se44.A	Above Rear Axle	560082	female
Se11.C	Cond.Cmpt.	560082	male	Se44.B	Above Rear Axle	560082	female
Se12	Engine Cmpt.	561690	female	Se45	Service Cmpt.	562426	male
Se13	Engine Cmpt.	562350	male	Se46	Above Rear Axle	561566	female
Se14.A	Driver Area	561782	male	So1	Engine Cmpt.	561566	female
Se14.B	Driver Area	561781	female	So3	Right Hand Console	641385	male

## CONNECTORS LIST

No	Location	#Prev	Housing Gender	No	Location	#Prev	Housing Gender
So4	Right Hand Console	641385	male	Spk7.B	Parcel Rack LH	562648	female
So5	Right Hand Console	641385	male	Spk8.A	Parcel Rack RH	562651	female
So6	Right Hand Console	641385	male	Spk8.B	Parcel Rack RH	562648	female
So7	Service Cmpt.	561566	male	Spk9.A	Parcel Rack RH	562651	female
So8	Service Cmpt.	563204	female	Spk9.B	Parcel Rack RH	562648	female
So9	Engine Cmpt	561566	female	Spk10.A	Parcel Rack RH	562651	female
So9	Engine Cmpt.	561566	female	Spk10.B	Parcel Rack RH	562648	female
So10	Cond.Cmpt.	562485	male	Spk11.A	Parcel Rack RH	562651	female
So11	Cond.Cmpt.	561566	female	Spk11.B	Parcel Rack RH	562648	female
So12	Evap. Cmpt.	561566	female	Spk12.A	Parcel Rack RH	562651	female
So13	Evap. Cmpt.	563204	female	Spk12.B	Parcel Rack RH	562648	female
So14	Service Cmpt.	641385	male	Spk13.A	Parcel Rack RH	562651	female
So15	Service Cmpt.	641385	male	Spk13.B	Parcel Rack RH	562648	female
So16	Service Cmpt.	641385	male	Spk14.A	Parcel Rack RH	562651	female
So17	Service Cmpt.	641385	male	Spk14.B	Parcel Rack RH	562648	female
So18	Service Cmpt.	641385	male	Spk15.A	Parcel Rack RH	562651	female
So19	Service Cmpt.	641385	male	Spk15.B	Parcel Rack RH	562648	female
So20	Service Cmpt.	641385	male	Spk16.A	Parcel Rack RH	562651	female
So21	Front_Axle_Cmpt.	561098	male	Spk16.B	Parcel Rack RH	562648	female
So22	Front_Axle_Cmpt.	561098	male	Spk17.A	Parcel Rack RH	562651	female
So23	Rear Axle Cmpt.	561098	male	Spk17.B	Parcel Rack RH	562648	female
So24	Rear Axle Cmpt.	561098	male	Spk18.A	Parcel Rack RH	562651	female
So25	Above Rear Axle	641949	male	Spk18.B	Parcel Rack RH	562648	female
So26	Service Cmpt.	641385	male	Spk19.A	Parcel Rack RH	562651	female
So27	Above Rear Axle	641385	male	Spk19.B	Parcel Rack RH	562648	female
Spk1.A	Parcel Rack LH	562651	female	Spk20.A	Parcel Rack RH	562651	female
Spk1.B	Parcel Rack LH	562648	female	Spk20.B	Parcel Rack RH	562648	female
Spk2.A	Parcel Rack LH	562651	female	Spk21.A	Parcel Rack RH	562651	female
Spk2.B	Parcel Rack LH	562648	female	Spk21.B	Parcel Rack RH	562648	female
Spk3.A	Parcel Rack LH	562651	female	Sw1.C258	Driver Area	561188	female
Spk3.B	Parcel Rack LH	562648	female	Sw1.C259	Driver Area	561186	male
Spk4.A	Parcel Rack LH	562651	female	Sw2	Dash	562763	male
Spk4.B	Parcel Rack LH	562648	female	Sw3	Dash	562763	male
Spk5.A	Parcel Rack LH	562651	female	Sw4	Dash	562763	male
Spk5.B	Parcel Rack LH	562648	female	Sw5	Dash	562763	male
Spk6.A	Parcel Rack LH	562651	female	Sw6	Dash	562763	male
Spk6.B	Parcel Rack LH	562648	female	Sw7.A	Cond.Cmpt.	562403	female
Spk7.A	Parcel Rack LH	562651	female	Sw7.B	Cond.Cmpt.	562403	female

## CONNECTORS LIST

No	Location	#Prev	Housing Gender	No	Location	#Prev	Housing Gender
Sw8	Dash	562763	male	Sw44.B	Service Cmpt.	562403	female
Sw9	Dash	562763	male	Sw45.A	5th Lugg Cmpt.	562403	female
Sw10	Dash	562763	male	Sw45.B	5th Lugg Cmpt.	562403	female
Sw11	Dash	562763	male	Sw46.A	5th Lugg Cmpt.	562403	female
Sw12	Dash	562763	male	Sw46.B	5th Lugg Cmpt.	562403	female
Sw13	Dash	562763	male	Sw47.A	3rd Lugg Cmpt.	562403	female
Sw14	Dash	562763	male	Sw47.B	3rd Lugg Cmpt.	562403	female
Sw15	Dash	562763	male	Sw48.A	3rd Lugg Cmpt.	562403	female
Sw16	Dash	562763	male	Sw48.B	3rd Lugg Cmpt.	562403	female
Sw17	Dash	562763	male	Sw49.A	2nd Lugg Cmpt.	562403	female
Sw18	Dash	562763	male	Sw49.B	2nd Lugg Cmpt.	562403	female
Sw19	Dash	562763	male	Sw50.A	2nd Lugg Cmpt.	562403	female
Sw20	Dash	562763	male	Sw50.B	2nd Lugg Cmpt.	562403	female
Sw21	Dash	562763	male	Sw51.A	1st Lugg Cmpt.	562403	female
Sw22	Dash	562763	male	Sw51.B	1st Lugg Cmpt.	562403	female
Sw23	Dash	562763	male	Sw52	1st Lugg Cmpt.	562403	female
Sw24	Dash	562763	male	Sw52.B	1st Lugg Cmpt.	562403	female
Sw25	Dash	562763	male	Sw53	Parcel Rack LH	562651	female
Sw26	Dash	562763	male	Sw54.A	Lavatory	562835	female
Sw27	Dash	562763	male	Sw54.B	Lavatory	562834	male
Sw28	Left Hand Console	562763	male	Sw55.A	Lavatory	560488	female
Sw29	Dash	562763	male	Sw55.B	Lavatory	560488	female
Sw30		561566	female	Sw56.A	Lavatory	560488	female
Sw31	WCL Door.	563543	male	Sw56.B	Lavatory	560488	female
Sw32	Dash	561477	female	Sw57	WCL Door.	563543	male
Sw33	Dash	561476	male	Sw58	Engine Cmpt.	562581	male
Sw34	Outside_Front_RH	562477	male	Sw59	Engine Cmpt.	562485	male
Sw35	Dash	562763	male	Sw60	Engine Cmpt.	561566	female
Sw36	Left Hand Console	562763	male	Sw64.A	Service Cmpt.	560815	female
Sw37	Left Hand Console	562763	male	Sw64.B	Service Cmpt.	560815	female
Sw38	Left Hand Console	562763	male	Sw65	Parcel Rack LH	562651	female
Sw39.A	RJB	562403	female	Sw66	Parcel Rack LH	562651	female
Sw39.B	RJB	562403	female	Sw67	Parcel Rack LH	562651	female
Sw40	Left Hand Console	561690	male	Sw68	Parcel Rack LH	562651	female
Sw41	Left Hand Console	562749	male	Sw69	Parcel Rack LH	562651	female
Sw42	5th Lugg Cmpt.	561635	female	Sw70	Parcel Rack LH	562651	female
Sw43	Service Cmpt.	561690	male	Sw71	Parcel Rack LH	562651	female
Sw44.A	Service Cmpt.	562403	female	Sw72	Parcel Rack LH	562651	female

## CONNECTORS LIST

No	Location	#Prev	Housing Gender	No	Location	#Prev	Housing Gender
Sw73	Parcel Rack RH	562651	female	Sw97.A	WCL Door.	561626	female
Sw74	Parcel Rack RH	562651	female	Sw97.B	WCL Door.	561626	female
Sw75	Parcel Rack RH	562651	female	Sw97.C	WCL Door.	561626	female
Sw76	Parcel Rack RH	562651	female	Sw98.A	WCL Door.	561626	female
Sw77	Parcel Rack RH	562651	female	Sw98.B	WCL Door.	561626	female
Sw78	Parcel Rack RH	562651	female	Sw98.C	WCL Door.	561626	female
Sw79	Parcel Rack RH	562651	female	Sw99	Dash	562763	male
Sw80	Parcel Rack RH	562651	female	Sw100	Dash	562763	male
Sw81.A	Dash	562905	male	Sw101	Left Hand Console	562763	male
Sw81.B	Dash	562905	male	VECF1	FJB	563186	male
Sw82.A	RJB	561457	female	VECF1	FJB	mating_563186	female
Sw82.B	RJB	561457	female	VECF2	FJB	563183	male
Sw82.C	RJB	561457	female	VECF2	FJB	mating_563183	female
Sw82.D	RJB	561457	female	VECF3	FJB	563185	male
Sw83.A	Dash	560082	female	VECF3	FJB	mating_563185	female
Sw83.B	Dash	560815	female	VECF4	FJB	563182	male
Sw83.C	Dash	560082	female	VECF4	FJB	mating_563182	female
Sw83.D	Dash	560815	female	VECF10	FJB	563181	male
Sw84.A	Service Cmpt.	562477	male	VECF10	FJB	mating_563181	female
Sw84.B	Service Cmpt.	560488	female	VECF11	FJB	563184	male
Sw85	Left Hand Console	562749	male	VECF11	FJB	mating_563184	female
Sw86	Parcel Rack RH	562651	female	VECF12	FJB	563187	male
Sw87	Parcel Rack RH	562651	female	VECF12	FJB	mating_563187	female
Sw88	Parcel Rack RH	562651	female	VECR1	RJB	563186	male
Sw89	Parcel Rack RH	562651	female	VECR1	RJB	mating_563186	female
Sw90	Parcel Rack RH	562651	female	VECR2	RJB	563183	male
Sw91	Parcel Rack RH	562651	female	VECR2	RJB	mating_563183	female
Sw92	Parcel Rack RH	562651	female	VECR3	RJB	563185	male
Sw93	Parcel Rack RH	562651	female	VECR3	RJB	mating_563185	female
Sw94.A	WCL Door.	560079	female	VECR4	RJB	563182	male
Sw94.B	WCL Door.	560079	female	VECR4	RJB	mating_563182	female
Sw94.C	WCL Door.	560079	female	VECR9	RJB	563448	male
Sw95.A	WCL Door.	561626	female	VECR9	RJB	mating_563448	female
Sw95.B	WCL Door.	561626	female	VECR10	RJB	563181	male
Sw95.C	WCL Door.	561626	female	VECR10	RJB	mating_563181	female
Sw96.A	WCL Door.	561626	female	VECR11	RJB	563184	male
Sw96.B	WCL Door.	561626	female	VECR11	RJB	mating_563184	female
Sw96.C	WCL Door.	561626	female	VECR12	RJB	563187	male

# CONNECTORS LIST

No	Location	#Prev	Housing Gender	No	Location	#Prev	Housing Gender
VECR12	RJB	mating_563187	female				

## CONNECTORS LIST

No	Location	#Prev	Housing Gender	No	Location	#Prev	Housing Gender
A1.CS	RJB	562817	male	A28	Service Cmpt.	562928	male
A1.CT	RJB	562822	male	A29	Dash	562465	male
A1.CV	RJB	562823	male	A30	Left Hand Console	563226	male
A2	Service Cmpt.	562825	male	A30	Left Hand Console	563613	female
A3	Dash	562363	male	A31	Left Hand Console	561782	male
A4	Service Cmpt.	562428	female	A31	Left Hand Console	561781	female
A4	Service Cmpt.	561188	female	A32	FJB	563616	female
A5	Service Cmpt.	562428	female	A36.JA	FJB	562767	male
A6	Engine Cmpt.	562427	male	A36.JB	FJB	562765	male
A7	Engine Cmpt.	562536	male	A36.JC	FJB	562957	male
A8	Engine Cmpt.	563403	female	A41.J1	FJB	562767	male
A9.Cx1	FJB	563200	male	A41.J2	FJB	563132	male
A9.Cx2	FJB	563201	male	A41.J3	FJB	562957	male
A10.X1	Engine Cmpt.	563135	male	A42.J1	FJB	562767	male
A10.X3	Engine Cmpt.	563134	female	A42.J2	FJB	563132	male
A11	Left Hand Console	563142	male	A42.J3	FJB	562957	male
A12	Dash	562464	male	A43.J1	FJB	562767	male
A13.J1	FJB	562794	male	A43.J2	FJB	563132	male
A13.J2	FJB	562650	male	A43.J3	FJB	562957	male
A14.CX	Dash	562957	male	A44.J1	FJB	563133	male
A14.CY	Dash	562765	male	A44.J2	FJB	563132	male
A14.LX	Dash	562766	male	A44.J3	FJB	562957	male
A14.LY	Dash	562767	male	A45.J1	FJB	563133	male
A14.RX	Dash	562767	male	A45.J2	FJB	563132	male
A15	Dash	562464	male	A45.J3	FJB	562957	male
A16	Front Roof	561637	male	A46.J1	FJB	563133	male
A18	FJB	562794	male	A46.J2	FJB	563132	male
A18.J2	FJB	562650	male	A46.J3	FJB	562957	male
A19	Left Hand Console	562878	female	A47	Right Hand Console	562957	male
A20	Parcel Rack LH	561477	female	A47.J1	Right Hand Console	563133	male
A21	Rear Axle Cmpt.	kostalF	female	A47.J2	Right Hand Console	563132	male
A22	Left Hand Console	563338	male	A48	Right Hand Console	562957	male
A23	RJB	563053	male	A48.J1	Right Hand Console	563133	male
A24	Right Hand Console	561889	female	A48.J2	Right Hand Console	563132	male
A24.A	Right Hand Console	561890	male	A49.J1	RJB	562767	male
A24.B	Right Hand Console	561566	female	A49.J2	RJB	563132	male
A25	Driver Area	563025	male	A49.J3	RJB	562957	male
A27	Service Cmpt.	562929	male	A50.J1	RJB	563133	male

## CONNECTORS LIST

No	Location	#Prev	Housing Gender	No	Location	#Prev	Housing Gender
A50.J2	RJB	563132	male	C8	RJB	561550	male
A50.J3	RJB	562957	male	C8	RJB	561667	female
A51.J1	RJB	563133	male	C9	Evap. Cmpt.	561986	male
A51.J2	RJB	563132	male	C9	Evap. Cmpt.	561987	female
A51.J3	RJB	562957	male	C10	Evap. Cmpt.	561690	male
A52.J1	RJB	563133	male	C10	Evap. Cmpt.	561566	female
A52.J2	RJB	563132	male	C11	Service Cmpt.	563580	male
A52.J3	RJB	562957	male	C11	Service Cmpt.	563581	female
A53.J1	RJB	563133	male	C12_plug	RJB	562485	male
A53.J2	RJB	563132	male	C12_socket	RJB	562486	female
A53.J3	RJB	562957	male	C13	Right Hand Console	563589	male
A54.J1	Evap. Cmpt.	563133	male	C13	Right Hand Console	563590	female
A54.J2	Evap. Cmpt.	563132	male	C13S	Right Hand Console	563589	male
A54.J3	Evap. Cmpt.	562957	male	C13S	Right Hand Console	563590	female
Alt1	Engine Cmpt.	562862	female	C14	Evap. Cmpt.	561986	male
Alt1.A	Engine Cmpt.	560815	female	C14	Evap. Cmpt.	561987	female
Alt1.B	Engine Cmpt.	560815	female	C15	Luggage Cmpt.	561643	male
Alt2	Engine Cmpt.	560815	female	C15	Luggage Cmpt.	561642	female
Alt2	Engine Cmpt.	560815	female	C16	RJB	561577	male
C1	Service Cmpt.	563589	male	C16	RJB	561605	female
C1	Service Cmpt.	563590	female	C17	RJB	561986	male
C1S	Service Cmpt.	563589	male	C17	RJB	561987	female
C1S	Service Cmpt.	563590	female	C18	FJB	561986	male
C2	Service Cmpt.	563580	male	C18	FJB	561987	female
C2	Service Cmpt.	563581	female	C19	RJB	561986	male
C3	RJB	563589	male	C19	RJB	561987	female
C3	RJB	563590	female	C20	FJB	562477	male
C3S_plug	RJB	563589	male	C20	FJB	562479	female
C3S_socket	RJB	563590	female	C21A	RJB	561646	male
C4	Service Cmpt.	563580	male	C21A	RJB	561645	female
C4	Service Cmpt.	563581	female	C21B	RJB	561646	male
C5	Service Cmpt.	563589	male	C21B	RJB	561645	female
C5	Service Cmpt.	563590	female	C22	RJB	561847	male
C5S	Service Cmpt.	563589	male	C22	RJB	561862	female
C5S	Service Cmpt.	563590	female	C23	5th Lugg. Cmpt	561847	male
C6	Service Cmpt.	563582	male	C23	5th Lugg. Cmpt	561862	female
C6	Service Cmpt.	563583	female	C24_plug	Evap. Cmpt.	561690	male
				C24_socket	Evap. Cmpt.	561566	female

## CONNECTORS LIST

No	Location	#Prev	Housing Gender	No	Location	#Prev	Housing Gender
C25	FJB	562477	male	C42	Dash	561626	female
C25	FJB	562479	female	C43	Lavatory	561661	female
C26_plug	RJB	562485	male	C43	Lavatory	561662	male
C26_socket	RJB	562486	female	C44_plug	FJB	561577	male
C27	FJB	562477	male	C44_socket	FJB	561605	female
C27	FJB	562479	female	C45	FJB	561643	male
C28	RJB	562485	male	C45	FJB	561642	female
C28	RJB	562486	female	C46	FJB	561577	male
C29	5th Lugg Cmpt	563651	male	C46	FJB	561605	female
C29	5th Lugg Cmpt	563652	female	C48	Service Cmpt.	561690	male
C30	5th Lugg Cmpt.	561710	male	C48	Service Cmpt.	561566	female
C30	5th Lugg Cmpt.	561709	female	C50	Engine Cmpt.	560933	male
C31	RJB	561734	male	C50	Engine Cmpt.	561932	female
C31	RJB	561735	female	C51	Engine Cmpt.	562479	male
C32	5th Lugg Cmpt.	561550	male	C51	Engine Cmpt.	562477	female
C32	5th Lugg Cmpt.	561667	female	C52	Right Hand Console	563589	male
C33	RH Front Roof	561550	male	C52	Right Hand Console	563590	female
C33	RH Front Roof	561667	female	C55	Evap. Cmpt.	561577	male
C34	Right Hand Console	561986	male	C55	Evap. Cmpt.	561605	female
C34	Right Hand Console	561987	female	C66	Engine Cmpt.	561577	male
C35	RJB	562283	male	C66	Engine Cmpt.	561605	female
C35	RJB	562280	female	C69	Rr Axle Inside PVC	561607	male
C36	FJB	561986	male	C69	Rr Axle Inside PVC	561606	female
C36	FJB	561987	female	C71	Service Cmpt.	561646	male
C36.A	Engine Cmpt.	561701	female	C71	Service Cmpt.	561645	female
C36.B	Engine Cmpt.	561701	female	C72	Service Cmpt.	561646	male
C36.C	Engine Cmpt.	561701	female	C72	Service Cmpt.	561645	female
C37	Parcel Rack LH	562557	male	C74	Service Cmpt.	561645	female
C37	Parcel Rack LH	562558	female	C74	Service Cmpt.	561646	male
C38	Parcel Rack RH	562555	male	C82	Right Hand Console	562069	male
C38	Parcel Rack RH	562556	female	C82	Right Hand Console	562070	female
C39	Dash	561539	male	C87	Lavatory	561637	male
C39	Dash	561540	female	C87	Lavatory	561636	female
C40	Dash	562485	male	C91	RJB	562285	male
C40	Dash	562486	female	C91	RJB	562282	female
C41	RJB	561690	male	C92	FJB	561640	male
C41	RJB	561566	female	C92	FJB	561639	female
C42	Dash	561904	female	C96	Fr Axle Accessories	561583	male



## CONNECTORS LIST

No	Location	#Prev	Housing Gender	No	Location	#Prev	Housing Gender
C96	Fr Axle Accessories	561585	female	C239	Service Cmpt.	561566	female
C97	Rr Axle Acc Inside PVC	561607	male	C240	Service Cmpt.	561607	male
C97	Rr Axle Acc Inside PVC	561606	female	C240	Service Cmpt.	561606	female
C100	5th Lugg Cmpt.	563589	male	C242	Service Cmpt.	562789	male
C100	5th Lugg Cmpt.	563590	female	C242	Service Cmpt.	565131	female
C100S	5th Lugg Cmpt.	563589	male	C243	Service Cmpt.	562789	male
C100S	5th Lugg Cmpt.	563590	female	C243	Service Cmpt.	565131	female
C101	Service Cmpt.	561690	male	C246	Service Cmpt.	563090	male
C101	Service Cmpt.	561566	female	C246	Service Cmpt.	563091	female
C103	FJB	562486	female	C260	Service Cmpt.	561607	male
C103	FJB	562485	male	C260	Service Cmpt.	561606	female
C105	FJB	562581	male	C269	RH Console	563090	male
C105	FJB	562583	female	C269	RH Console	563091	female
C119	Engine Door	561607	male	C279	Service Cmpt.	562477	male
C119	Engine Door	561606	female	C279	Service Cmpt.	562479	female
C120	Engine Door	561607	male	C380	Dash	563180	male
C120	Engine Door	561606	female	C380	Dash	563347	female
C121	Engine Door	561690	male	C394	FJB	560852	male
C121	Engine Door	561566	female	C394	FJB	560851	female
C144	Under LH Seat	560852	male	C397	RJB	562285	male
C144	Under LH Seat	560851	female	C397	RJB	562282	female
C152	Condensor Cmpt.	561611	male	C426	Engine Cmpt	561782	male
C152	Condensor Cmpt.	561610	female	C426	Engine Cmpt	561781	female
C168	Above Rear Axle	561690	male	C430	LH Console	562363	male
C168	Above Rear Axle	561566	female	C430	LH Console	561188	female
C171	Service Cmpt.	561646	male	C452	Dash	562549	male
C171	Service Cmpt.	561645	female	C452	Dash	562550	female
C183	Service Cmpt.	561611	male	C463	Engine Cmpt.	562570	female
C183	Service Cmpt.	561610	female	C463	Engine Cmpt.	562571	male
C205	Front Parcel Rack RH	561662	male	C464	RJB	563180	male
C205	Front Parcel Rack RH	561661	female	C464	RJB	563347	female
C210	Front Parcel Rack LH	561662	male	C506	FJB	561687	male
C210	Front Parcel Rack LH	561661	female	C506	FJB	561685	female
C212	WCL Door.	561515	male	C575	Rr Section RH Hat Rack	562503	male
C212	WCL Door.	561552	female	C575	Rr Section RH Hat Rack	562507	female
C230	Engine Cmpt.	562485	male	C576	Rr Section RH Hat Rack	561550	male
C230	Engine Cmpt.	562486	female	C576	Rr Section RH Hat Rack	561667	female
C239	Service Cmpt.	561690	male	C577	Rr Section LH Hat Rack	561550	male

## CONNECTORS LIST

No	Location	#Prev	Housing Gender	No	Location	#Prev	Housing Gender
C577	Rr Section LH Hat Rack	561667	female	L2	Front Roof	561247	male
C578	Rr Section LH Hat Rack	562503	male	L3.A	Parcel Rack RH	562758	male
C578	Rr Section LH Hat Rack	562507	female	L3.B	Parcel Rack RH	562759	male
C581	Under dash Board	562777	male	L4.A	Parcel Rack RH	562758	male
C581	Under dash Board	mating_562777	female	L4.B	Parcel Rack RH	562759	male
C582	FJB	561690	female	L5.A	Parcel Rack RH	562758	male
C582	FJB	561566	female	L5.B	Parcel Rack RH	562759	male
C589	Service Cmpt.	563088	male	L6.A	Parcel Rack RH	562758	male
C589	Service Cmpt.	563089	female	L6.B	Parcel Rack RH	562759	male
C590	RH Console	563088	male	L7.A	Parcel Rack RH	562758	male
C590	RH Console	563089	female	L7.B	Parcel Rack RH	562759	male
C601	LH Roof Win Ajar	561476	male	L8.A	Parcel Rack RH	562758	male
C601	LH Roof Win Ajar	561477	female	L8.B	Parcel Rack RH	562759	male
C603	RH Roof Win Ajar	561476	male	L9.A	Parcel Rack LH	562758	male
C603	RH Roof Win Ajar	561477	female	L9.B	Parcel Rack LH	562759	male
C611	Parcel Rack RH	562557	male	L10.A	Parcel Rack LH	562758	male
C611	Parcel Rack RH	562558	female	L10.B	Parcel Rack LH	562759	male
C612_plug	Parcel Rack RH	562555	male	L11.A	Parcel Rack LH	562758	male
C612_socket	Parcel Rack RH	562556	female	L11.B	Parcel Rack LH	562759	male
C613_plug	Parcel Rack RH	561550	male	L12.A	Parcel Rack LH	562758	male
C613_socket	Parcel Rack RH	561667	female	L12.B	Parcel Rack LH	562759	male
C717	RJB	561643	male	L13.A	Parcel Rack LH	562758	male
C717	RJB	561642	female	L13.B	Parcel Rack LH	562759	male
C720	Rear Axle Cmpt.	563358	male	L14.A	Parcel Rack LH	562758	male
C720	Rear Axle Cmpt.	563359	female	L14.B	Parcel Rack LH	562759	male
C721	RJB	561515	male	L15.A	Parcel Rack LH	562758	male
C721	RJB	561552	female	L15.B	Parcel Rack LH	562759	male
C723	Rear Axle Cmpt.	562877	female	L16	Front Roof	562803	male
C723	Rear Axle Cmpt.	562884	female	L17	Front Roof	562803	male
CSX1	Engine Cmpt.	563135	male	L18	Entrance_Door	562486	female
CSX1	Engine Cmpt.	563134	female	L19	Entrance_Door	562486	female
CSX3	Engine Cmpt.	563135	male	L20	Entrance_Door	562486	female
CSX3	Engine Cmpt.	563134	female	L21.A	Front Roof	561608	female
CT2	Engine Cmpt.	563226	male	L21.B	Front Roof	562286	male
CT2	Engine Cmpt.	563227	female	L22.A	Front Roof	561608	female
CT3	Engine Cmpt.	563352	male	L22.B	Front Roof	562286	male
CT3	Engine Cmpt.	563350	female	L23.A	Front Roof	561608	female
L1	Service Cmpt.	562848	male	L23.B	Front Roof	562286	male

## CONNECTORS LIST

No	Location	#Prev	Housing Gender	No	Location	#Prev	Housing Gender
L24.A	Front Roof	561608	female	L58	Passenger Area	560898	male
L24.B	Front Roof	562286	male	L59.A	Outside_Front_RH	562623	male
L25.A	Front Roof	561608	female	L59.B	Outside_Front_RH	562623	male
L25.B	Front Roof	562286	male	L60.A	Outside_Front_LH	562623	male
L26.A	Front Roof	561608	female	L60.B	Outside_Front_LH	562623	male
L26.B	Front Roof	562286	male	L61	Outside_Front_RH	562601	male
L27.A	Front Roof	561608	female	L62	Outside_Front_LH	562601	male
L27.B	Front Roof	562286	male	L63	Outside_Front_RH	562155	male
L28	Parcel Rack LH	560898	male	L64	Outside_Front_RH	562155	male
L29	Parcel Rack LH	560898	male	L65	Outside_Front_LH	562155	male
L30	Parcel Rack LH	560898	male	L66	Outside_Front_LH	562155	male
L31	Parcel Rack LH	560898	male	L67	3rd Lugg Cmpt.	562155	male
L32	Parcel Rack LH	560898	male	L68	3rd Lugg Cmpt.	562155	male
L33	Parcel Rack LH	560898	male	L69	3rd Lugg Cmpt.	562155	male
L34	Parcel Rack LH	560898	male	L70	3rd Lugg Cmpt.	562155	male
L35	Parcel Rack LH	560898	male	L71	Rear_Engine_Door	562601	male
L36	Parcel Rack LH	560898	male	L72	Rear_Vehicle	562155	male
L37	Parcel Rack LH	560898	male	L73	Rear_Vehicle	562601	male
L38	Parcel Rack LH	560898	male	L74	Rear_Vehicle	562155	male
L39	Parcel Rack LH	560898	male	L75	Rear_Vehicle	562155	male
L40	Parcel Rack RH	560898	male	L76	Rear_Engine_Door	562155	male
L41	Parcel Rack RH	560898	male	L77	Rear_Engine_Door	562601	male
L42	Parcel Rack RH	560898	male	L78	Rear_Engine_Door	562601	male
L43	Parcel Rack RH	560898	male	L79	Rear_Engine_Door	562601	male
L44	Parcel Rack RH	560898	male	L80	Rear_Engine_Door	562601	male
L45	Parcel Rack RH	560898	male	L81.A	Rear_Engine_Door	562835	female
L46	Parcel Rack RH	560898	male	L81.B	Rear_Engine_Door	562834	male
L47	Parcel Rack RH	560898	male	L82	Rear_Engine_Door	562348	female
L48	Parcel Rack RH	560898	male	L83	Rear_Engine_Door	562348	female
L49	Parcel Rack RH	560898	male	L84.A	Rear Roof	561608	female
L50	Parcel Rack RH	560898	male	L84.B	Rear Roof	562286	male
L51	Parcel Rack RH	560898	male	L85.A	Rear Roof	561608	female
L52	Driver Area	560898	male	L85.B	Rear Roof	562286	male
L53	Passenger Area	560898	male	L86.A	Rear Roof	561608	female
L54	Passenger Area	560898	male	L86.B	Rear Roof	562286	male
L55	Passenger Area	560898	male	L87.A	Rear Roof	561608	female
L56	Passenger Area	560898	male	L87.B	Rear Roof	562286	male
L57	Passenger Area	560898	male	L88.A	Rear Roof	561608	female

## CONNECTORS LIST

No	Location	#Prev	Housing Gender	No	Location	#Prev	Housing Gender
L88.B	Rear Roof	562286	male	L120	Parcel Rack RH	560898	male
L89.A	Rear Roof	561608	female	L121	Parcel Rack RH	560898	male
L89.B	Rear Roof	562286	male	L122	Parcel Rack RH	560898	male
L90.A	Rear Roof	561608	female	L123	Parcel Rack RH	560898	male
L90.B	Rear Roof	562286	male	L124	Parcel Rack RH	560898	male
L91	Engine Cmpt.	562755	male	L125	Parcel Rack RH	560898	male
L92	Engine Cmpt.	562755	male	L126	Parcel Rack RH	560898	male
L93.A	Engine Cmpt.	mating_563069	female	L127	Parcel Rack RH	562758	male
L93.B	Engine Cmpt.	mating_563069	female	L128	Parcel Rack RH	562758	male
L94.A	Engine Cmpt.	563069	female	L129	Parcel Rack RH	562758	male
L94.B	Engine Cmpt.	563069	female	L130	Parcel Rack RH	562758	male
L95	Outside_Front_LH	562902	female	L131	Parcel Rack RH	562758	male
L96	Outside_Front_RH	562902	female	L132	Parcel Rack RH	562758	male
L97.A	Outside_Front_LH	563069	female	L134	Parcel Rack LH	562758	male
L97.B	Outside_Front_LH	563069	female	L135	Parcel Rack LH	562758	male
L98.A	Entrance_Door	563069	female	L136	Parcel Rack LH	562758	male
L98.B	Outside_Front_RH	563069	female	L137	Parcel Rack LH	562758	male
L99	Parcel Rack LH	560898	male	L138	Parcel Rack LH	562758	male
L100	Parcel Rack LH	560898	male	L139	Parcel Rack LH	562758	male
L101	Parcel Rack LH	560898	male	L140	Lavatory	561247	male
L102	Parcel Rack LH	560898	male	L141	Lavatory	560898	male
L103	Parcel Rack LH	560898	male	L142	Lavatory	562803	male
L104	Parcel Rack LH	560898	male	L143	Front Roof	561247	male
L105	Parcel Rack LH	560898	male	L144.A	Parcel Rack LH	562756	male
L106	Parcel Rack LH	560898	male	L144.B	Parcel Rack LH	562505	female
L107	Parcel Rack LH	560898	male	L145.A	Parcel Rack LH	562756	male
L108	Parcel Rack LH	560898	male	L145.B	Parcel Rack LH	562505	female
L109	Parcel Rack LH	560898	male	L146.A	Parcel Rack LH	562756	male
L110	Parcel Rack LH	560898	male	L146.B	Parcel Rack LH	562505	female
L111	Parcel Rack LH	560898	male	L147.A	Parcel Rack LH	562756	male
L112	Parcel Rack LH	560898	male	L147.B	Parcel Rack LH	562505	female
L113	Parcel Rack RH	560898	male	L148.A	Parcel Rack LH	562756	male
L114	Parcel Rack RH	560898	male	L148.B	Parcel Rack LH	562505	female
L115	Parcel Rack RH	560898	male	L149.A	Parcel Rack LH	562756	male
L116	Parcel Rack RH	560898	male	L149.B	Parcel Rack LH	562505	female
L117	Parcel Rack RH	560898	male	L150.A	Parcel Rack LH	562756	male
L118	Parcel Rack RH	560898	male	L150.B	Parcel Rack LH	562505	female
L119	Parcel Rack RH	560898	male	L151.A	Parcel Rack LH	562756	male

## CONNECTORS LIST

No	Location	#Prev	Housing Gender	No	Location	#Prev	Housing Gender
L151.B	Parcel Rack LH	562505	female	L170.B	Parcel Rack RH	562505	female
L152.A	Parcel Rack LH	562756	male	L171.A	Parcel Rack RH	562756	male
L152.B	Parcel Rack LH	562505	female	L171.B	Parcel Rack RH	562505	female
L153.A	Parcel Rack LH	562756	male	L172	Parcel Rack RH	562756	male
L153.B	Parcel Rack LH	562505	female	L172.B	Parcel Rack RH	562505	female
L154.A	Parcel Rack LH	562756	male	L173	Engine Cmpt.	563268	male
L154.B	Parcel Rack LH	562505	female	L174	Engine Cmpt.	563268	male
L155.A	Parcel Rack LH	562756	male	L175	RJB	561247	male
L155.B	Parcel Rack LH	562505	female	L176	5th Lugg Cmpt.	561247	male
L156.A	Parcel Rack LH	562756	male	L177	5th Lugg Cmpt.	561247	male
L156.B	Parcel Rack LH	562505	female	L178	3rd Lugg Cmpt.	561247	male
L157.A	Parcel Rack LH	562756	male	L179	3rd Lugg Cmpt.	561247	male
L157.B	Parcel Rack LH	562505	female	L180	2nd Lugg Cmpt.	561247	male
L158.A	Parcel Rack LH	562756	male	L181	2nd Lugg Cmpt.	561247	male
L158.B	Parcel Rack LH	562505	female	L182	1st Lugg Cmpt.	561247	male
L159.A	Parcel Rack RH	562756	male	L183	1st Lugg Cmpt.	561247	male
L159.B	Parcel Rack RH	562505	female	L184	Service Cmpt.	561247	male
L160.A	Parcel Rack RH	562756	male	L187	Engine Cmpt.	561690	male
L160.B	Parcel Rack RH	562505	female	L188	Service Cmpt.	562486	female
L161.A	Parcel Rack RH	562756	male	L189	Outside_Front_RH	562069	male
L161.B	Parcel Rack RH	562505	female	L190	Outside_Front_LH	562069	male
L162.A	Parcel Rack RH	562756	male	L191	Parcel Rack LH	561550	male
L162.B	Parcel Rack RH	562505	female	L192	Parcel Rack LH	560898	male
L163.A	Parcel Rack RH	562756	male	L193.A	Dash	560488	female
L163.B	Parcel Rack RH	562505	female	L193.B	Dash	560488	female
L164.A	Parcel Rack RH	562756	male	L194.A	Left Hand Console	562019	female
L164.B	Parcel Rack RH	562505	female	L194.B	Left Hand Console	560488	female
L165.A	Parcel Rack RH	562756	male	L195.A	Dash	560488	female
L165.B	Parcel Rack RH	562505	female	L195.B	Dash	560488	female
L166.A	Parcel Rack RH	562756	male	L199	Engine Cmpt.	562471	male
L166.B	Parcel Rack RH	562505	female	L200	Engine Cmpt.	562471	male
L167.A	Parcel Rack RH	562756	male	L201	Front Roof	561247	male
L167.B	Parcel Rack RH	562505	female	L202	Front Roof	561247	male
L168.A	Parcel Rack RH	562756	male	L203	Right Hand Console	562471	male
L168.B	Parcel Rack RH	562505	female	L205	Evap. Cmpt.	562485	male
L169.A	Parcel Rack RH	562756	male	L206	Parcel Rack RH	562803	male
L169.B	Parcel Rack RH	562505	female	L207.A	5th Lugg Cmpt.	561699	female
L170.A	Parcel Rack RH	562756	male	L207.B	5th Lugg Cmpt.	561699	female

## CONNECTORS LIST

No	Location	#Prev	Housing Gender	No	Location	#Prev	Housing Gender
L207.C	5th Lugg Cmpt.	561701	female	L228	Parcel Rack RH	562758	male
L207.D	5th Lugg Cmpt.	561699	female	L229	Parcel Rack RH	562758	male
L207.E	5th Lugg Cmpt.	561701	female	L230	Parcel Rack RH	562758	male
L207.F	5th Lugg Cmpt.	561699	female	L231	Parcel Rack RH	562758	male
L207.G	5th Lugg Cmpt.	561699	female	L232.A	Parcel Rack RH	562758	male
L207.H	5th Lugg Cmpt.	560926	female	L232.B	Parcel Rack RH	562759	male
L207.I	5th Lugg Cmpt.	560926	female	L233.A	Parcel Rack RH	562758	male
L208	Outside_Front_LH	563088	male	L233.B	Parcel Rack RH	562759	male
L209	Outside_Front_RH	563088	male	L234.A	Parcel Rack RH	562758	male
L211	Entrance_Door	562486	female	L234.B	Parcel Rack RH	562759	male
L213.A	Parcel Rack RH	561248	female	L235.A	Parcel Rack RH	562758	male
L213.B	Parcel Rack RH	561248	female	L235.B	Parcel Rack RH	562759	male
L214.A	Parcel Rack RH	561248	female	L236.A	Parcel Rack RH	562758	male
L214.B	Parcel Rack RH	561248	female	L236.B	Parcel Rack RH	562759	male
L215.A	Parcel Rack RH	561248	female	L238.A	Parcel Rack RH	561248	female
L215.B	Parcel Rack RH	561248	female	L238.B	Parcel Rack RH	561248	female
L216.A	Parcel Rack RH	561248	female	L239.A	Parcel Rack RH	561248	female
L216.B	Parcel Rack RH	561248	female	L239.B	Parcel Rack RH	561248	female
L217.A	Parcel Rack RH	561248	female	L240.A	Parcel Rack RH	561248	female
L217.B	Parcel Rack RH	561248	female	L240.B	Parcel Rack RH	561248	female
L218.A	Parcel Rack RH	561248	female	L241.A	Parcel Rack RH	561248	female
L218.B	Parcel Rack RH	561248	female	L241.B	Parcel Rack RH	561248	female
L219.A	Parcel Rack LH	561248	female	L242.A	Parcel Rack RH	561248	female
L219.B	Parcel Rack LH	561248	female	L242.B	Parcel Rack RH	561248	female
L220.A	Parcel Rack LH	561248	female	L244.A	Parcel Rack RH	562756	male
L220.B	Parcel Rack LH	561248	female	L244.B	Parcel Rack RH	562505	female
L221.A	Parcel Rack LH	561248	female	L245.A	Parcel Rack RH	562756	male
L221.B	Parcel Rack LH	561248	female	L245.B	Parcel Rack RH	562505	female
L222.A	Parcel Rack LH	561248	female	L246.A	Parcel Rack RH	562756	male
L222.B	Parcel Rack LH	561248	female	L246.B	Parcel Rack RH	562505	female
L223.A	Parcel Rack LH	561248	female	L247.A	Parcel Rack RH	562756	male
L223.B	Parcel Rack LH	561248	female	L247.B	Parcel Rack RH	562505	female
L224.A	Parcel Rack LH	561248	female	L248.A	Parcel Rack RH	562756	male
L224.B	Parcel Rack LH	561248	female	L248.B	Parcel Rack RH	562505	female
L225.A	Parcel Rack LH	561248	female	L249.A	Parcel Rack RH	562756	male
L225.B	Parcel Rack LH	561248	female	L249.B	Parcel Rack RH	562505	female
L226	Parcel Rack RH	562758	male	L250	Parcel Rack RH	562756	male
L227	Parcel Rack RH	562758	male	L250	Parcel Rack RH	562505	female

## CONNECTORS LIST

No	Location	#Prev	Housing Gender	No	Location	#Prev	Housing Gender
L251	Parcel Rack RH	562756	male	L282	Rear Axel	561566	female
L251	Parcel Rack RH	562505	female	Mo1	Engine Cmpt.	561690	female
L252	Parcel Rack RH	562756	male	Mo2	Engine Cmpt.	561782	male
L252	Parcel Rack RH	562505	female	Mo3	Dash	561667	female
L253	Parcel Rack RH	562756	male	Mo4	Dash	562076	male
L253	Parcel Rack RH	562505	female	Mo5	Front Roof	561550	female
L254	Parcel Rack RH	562756	male	Mo6	Service Cmpt.	561690	male
L254	Parcel Rack RH	562505	female	Mo7.A	Cond.Cmpt.	560102	female
L255	Parcel Rack RH	562756	male	Mo7.B	Cond.Cmpt.	560102	female
L255	Parcel Rack RH	562505	female	Mo8.A	Cond.Cmpt.	560102	female
L256	Parcel Rack RH	562756	male	Mo8.B	Cond.Cmpt.	560102	female
L256	Parcel Rack RH	562505	female	Mo10	Parcel Rack LH	561515	male
L257	Parcel Rack RH	562756	male	Mo11	Parcel Rack RH	561515	male
L257	Parcel Rack RH	562505	female	Mo12	Evap. Cmpt.	561690	male
L258	Parcel Rack RH	560898	male	Mo13	Engine Cmpt.	561690	female
L259	Parcel Rack RH	560898	male	Mo14	Parcel Rack RH	561566	female
L260	Parcel Rack RH	560898	male	Mo15	Front Roof	560900	female
L261	Parcel Rack RH	560898	male	Mo16	Front Roof	560900	female
L262	Parcel Rack RH	560898	male	Mo17	Service Cmpt.	561848	male
L263	Parcel Rack RH	560898	male	Mo18.A	Service Cmpt.	560488	female
L264	Parcel Rack RH	560898	male	Mo18.B	Service Cmpt.	560488	female
L266	Parcel Rack RH	560898	male	Mo19.A	Service Cmpt.	560488	female
L267	Parcel Rack RH	560898	male	Mo19.B	Service Cmpt.	560488	female
L268	Parcel Rack RH	560898	male	Mo20.A	Service Cmpt.	560488	female
L269	Parcel Rack RH	560898	male	Mo20.B	Service Cmpt.	560488	female
L270	Parcel Rack RH	560898	male	Mo21	Front Roof	561186	male
L271	Parcel Rack RH	560898	male	Mo22	Right Hand Console	561186	male
L272	Parcel Rack RH	560898	male	Mo24	Right Hand Console	562348	female
L273	Parcel Rack RH	560898	male	Mo25	Right Hand Console	562348	female
L274	Parcel Rack RH	560898	male	Pot1.A	Dash	560488	female
L275	Parcel Rack RH	560898	male	Pot1.B	Dash	560488	female
L276	Parcel Rack RH	560898	male	Pot1.C	Dash	560488	female
L277	Parcel Rack RH	560898	male	R2	RJB	561183	male
L278	Parcel Rack RH	560898	male	R3	RJB	563409	male
L279	Parcel Rack RH	560898	male	R4	FJB	561183	male
L280	Parcel Rack RH	560898	male	R5	RJB	561183	male
L281	Parcel Rack RH	560898	male	R6	RJB	561183	male
L282	Rear Axel	561690	male	R8	RJB	561183	male

## CONNECTORS LIST

No	Location	#Prev	Housing Gender	No	Location	#Prev	Housing Gender
R9	Evap. Cmpt.	563409	male	Se4	Window_RH	561477	female
R10	Evap. Cmpt.	563409	male	Se5	Window_RH	561477	female
R11	RJB	561183	male	Se6	Window_RH	561477	female
R12	Evap. Cmpt.	563409	male	Se7	Window_LH	561477	female
R13	RJB	561183	male	Se8	Window_LH	561477	female
R14	RJB	562367	male	Se9	Window_LH	561477	female
R15	RJB	561183	male	Se10	Window_LH	561477	female
R16	Dash	561183	male	Se11.A	Cond.Cmpt.	560082	male
R17	RJB	562367	male	Se11.B	Cond.Cmpt.	560082	male
R18	FJB	562367	male	Se11.C	Cond.Cmpt.	560082	male
R19	FJB	562367	male	Se12	Engine Cmpt.	561690	female
R20	Evap. Cmpt.	561183	male	Se13	Engine Cmpt.	562350	male
R22	FJB VECF	561183	male	Se14.A	Driver Area	561782	male
R23	Right Hand Console	561183	male	Se14.B	Driver Area	561781	female
R24	FJB	561183	male	Se15	Right Hand Console	560898	male
R25	RJB	561183	male	Se16	Entrance_Door	562348	female
R26	Cond.Cmpt.	561183	male	Se17	Entrance_Door	560081	female
Res1.A	Front Roof	butt_splice	female	Se18.A	Service Cmpt.	560815	female
Res1.B	FJB	butt_splice	female	Se18.B	Service Cmpt.	560815	female
Res3	RJB	563590	female	Se19.A	Service Cmpt.	560082	female
Res4	Right Hand Console	563590	female	Se19.B	Service Cmpt.	560082	female
Res5	Dash	563590	female	Se19.C	Service Cmpt.	560082	female
Res6	Dash	563590	female	Se19.D	Service Cmpt.	560082	female
Res7	FJB	563590	female	Se20	Evap. Cmpt.	562426	male
Res8.A	Front Roof	butt_splice	female	Se21	Dash	561248	female
Res8.B	Front Roof	butt_splice	female	Se22	Engine Cmpt.	563404	female
Res9.A	Dash	butt_splice	female	Se23	Engine Cmpt.	563159	male
Res9.B	Dash	butt_splice	female	Se24	Engine Cmpt.	563159	male
Res10.A	RJB	butt_splice	female	Se25	Passenger Area	561248	female
Res10.B	RJB	butt_splice	female	Se26	Service Cmpt.	561690	female
Res11.A	Front Roof	butt_splice	female	Se27	Front_Axle_Cmpt.	561111	female
Res11.B	Front Roof	butt_splice	female	Se28	Service Cmpt.	561690	female
Res12	Engine Cmpt.	563590	female	Se29	Engine Cmpt.	561566	female
Res15	RJB.	561782	male	Se30	Engine Cmpt.	561690	female
Res15	RJB.	561781	female	Se31	Engine Cmpt.	561690	female
Se1	Engine Cmpt.	562486	female	Se32	Engine Cmpt.	563057	male
Se2	Engine Cmpt.	562486	female	Se33	Engine Cmpt.	562856	male
Se3	RJB	562486	female	Se34	Engine Cmpt.	563057	male



## CONNECTORS LIST

No	Location	#Prev	Housing Gender	No	Location	#Prev	Housing Gender
Se35	Engine Cmpt.	563057	male	So27	Above Rear Axle	641385	male
Se37	Front_Axle_Cmpt.	561132	female	Spk1.A	Parcel Rack LH	562651	female
Se38	Front_Axle_Cmpt.	561132	female	Spk1.B	Parcel Rack LH	562648	female
Se39	Rear Axle Cmpt.	561132	female	Spk2.A	Parcel Rack LH	562651	female
Se40	Rear Axle Cmpt.	561132	female	Spk2.B	Parcel Rack LH	562648	female
Se41	Engine Cmpt.	562486	female	Spk3.A	Parcel Rack LH	562651	female
Se42	Engine Cmpt.	563340	male	Spk3.B	Parcel Rack LH	562648	female
Se43	Engine Cmpt.	563340	male	Spk4.A	Parcel Rack LH	562651	female
Se44.A	Above Rear Axle	560082	female	Spk4.B	Parcel Rack LH	562648	female
Se44.B	Above Rear Axle	560082	female	Spk5.A	Parcel Rack LH	562651	female
Se45	Service Cmpt.	562426	male	Spk5.B	Parcel Rack LH	562648	female
Se46	Above Rear Axle	561566	female	Spk6.A	Parcel Rack LH	562651	female
So1	Engine Cmpt.	561566	female	Spk6.B	Parcel Rack LH	562648	female
So3	Right Hand Console	641385	male	Spk7.A	Parcel Rack LH	562651	female
So4	Right Hand Console	641385	male	Spk7.B	Parcel Rack LH	562648	female
So5	Right Hand Console	641385	male	Spk8.A	Parcel Rack RH	562651	female
So6	Right Hand Console	641385	male	Spk8.B	Parcel Rack RH	562648	female
So7	Service Cmpt.	561566	male	Spk9.A	Parcel Rack RH	562651	female
So8	Service Cmpt.	563204	female	Spk9.B	Parcel Rack RH	562648	female
So9	Engine Cmpt.	561566	female	Spk10.A	Parcel Rack RH	562651	female
So9	Engine Cmpt.	561566	female	Spk10.B	Parcel Rack RH	562648	female
So10	Cond.Cmpt.	562485	male	Spk11.A	Parcel Rack RH	562651	female
So11	Cond.Cmpt.	561566	female	Spk11.B	Parcel Rack RH	562648	female
So12	Evap. Cmpt.	561566	female	Spk12.A	Parcel Rack RH	562651	female
So13	Evap. Cmpt.	563204	female	Spk12.B	Parcel Rack RH	562648	female
So14	Service Cmpt.	641385	male	Spk13.A	Parcel Rack RH	562651	female
So15	Service Cmpt.	641385	male	Spk13.B	Parcel Rack RH	562648	female
So16	Service Cmpt.	641385	male	Spk14.A	Parcel Rack RH	562651	female
So17	Service Cmpt.	641385	male	Spk14.B	Parcel Rack RH	562648	female
So18	Service Cmpt.	641385	male	Spk15.A	Parcel Rack RH	562651	female
So19	Service Cmpt.	641385	male	Spk15.B	Parcel Rack RH	562648	female
So20	Service Cmpt.	641385	male	Spk16.A	Parcel Rack RH	562651	female
So21	Front_Axle_Cmpt.	561098	male	Spk16.B	Parcel Rack RH	562648	female
So22	Front_Axle_Cmpt.	561098	male	Spk17.A	Parcel Rack RH	562651	female
So23	Rear Axle Cmpt.	561098	male	Spk17.B	Parcel Rack RH	562648	female
So24	Rear Axle Cmpt.	561098	male	Spk18.A	Parcel Rack RH	562651	female
So25	Above Rear Axle	641949	male	Spk18.B	Parcel Rack RH	562648	female
So26	Service Cmpt.	641385	male	Spk19.A	Parcel Rack RH	562651	female

## CONNECTORS LIST

No	Location	#Prev	Housing Gender	No	Location	#Prev	Housing Gender
Spk19.B	Parcel Rack RH	562648	female	Sw32	Dash	561477	female
Spk20.A	Parcel Rack RH	562651	female	Sw33	Dash	561476	male
Spk20.B	Parcel Rack RH	562648	female	Sw34	Outside_Front_RH	562477	male
Spk21.A	Parcel Rack RH	562651	female	Sw35	Dash	562763	male
Spk21.B	Parcel Rack RH	562648	female	Sw36	Left Hand Console	562763	male
Sw1.C258	Driver Area	561188	female	Sw37	Left Hand Console	562763	male
Sw1.C259	Driver Area	561186	male	Sw38	Left Hand Console	562763	male
Sw2	Dash	562763	male	Sw39.A	RJB	562403	female
Sw3	Dash	562763	male	Sw39.B	RJB	562403	female
Sw4	Dash	562763	male	Sw40	Left Hand Console	561690	male
Sw5	Dash	562763	male	Sw41	Left Hand Console	562749	male
Sw6	Dash	562763	male	Sw42	5th Lugg Cmpt.	561635	female
Sw7.A	Cond.Cmpt.	562403	female	Sw43	Service Cmpt.	561690	male
Sw7.B	Cond.Cmpt.	562403	female	Sw44.A	Service Cmpt.	562403	female
Sw8	Dash	562763	male	Sw44.B	Service Cmpt.	562403	female
Sw9	Dash	562763	male	Sw45.A	5th Lugg Cmpt.	562403	female
Sw10	Dash	562763	male	Sw45.B	5th Lugg Cmpt.	562403	female
Sw11	Dash	562763	male	Sw46.A	5th Lugg Cmpt.	562403	female
Sw12	Dash	562763	male	Sw46.B	5th Lugg Cmpt.	562403	female
Sw13	Dash	562763	male	Sw47.A	3rd Lugg Cmpt.	562403	female
Sw14	Dash	562763	male	Sw47.B	3rd Lugg Cmpt.	562403	female
Sw15	Dash	562763	male	Sw48.A	3rd Lugg Cmpt.	562403	female
Sw16	Dash	562763	male	Sw48.B	3rd Lugg Cmpt.	562403	female
Sw17	Dash	562763	male	Sw49.A	2nd Lugg Cmpt.	562403	female
Sw18	Dash	562763	male	Sw49.B	2nd Lugg Cmpt.	562403	female
Sw19	Dash	562763	male	Sw50.A	2nd Lugg Cmpt.	562403	female
Sw20	Dash	562763	male	Sw50.B	2nd Lugg Cmpt.	562403	female
Sw21	Dash	562763	male	Sw51.A	1st Lugg Cmpt.	562403	female
Sw22	Dash	562763	male	Sw51.B	1st Lugg Cmpt.	562403	female
Sw23	Dash	562763	male	Sw52	1st Lugg Cmpt.	562403	female
Sw24	Dash	562763	male	Sw52.B	1st Lugg Cmpt.	562403	female
Sw25	Dash	562763	male	Sw53	Parcel Rack LH	562651	female
Sw26	Dash	562763	male	Sw54.A	Lavatory	562835	female
Sw27	Dash	562763	male	Sw54.B	Lavatory	562834	male
Sw28	Left Hand Console	562763	male	Sw55.A	Lavatory	560488	female
Sw29	Dash	562763	male	Sw55.B	Lavatory	560488	female
Sw30		561566	female	Sw56.A	Lavatory	560488	female
Sw31	WCL Door.	563543	male	Sw56.B	Lavatory	560488	female

## CONNECTORS LIST

No	Location	#Prev	Housing Gender	No	Location	#Prev	Housing Gender
Sw57	WCL Door.	563543	male	Sw89	Parcel Rack RH	562651	female
Sw58	Engine Cmpt.	562581	male	Sw90	Parcel Rack RH	562651	female
Sw59	Engine Cmpt.	562485	male	Sw91	Parcel Rack RH	562651	female
Sw60	Engine Cmpt.	561566	female	Sw92	Parcel Rack RH	562651	female
Sw64.A	Service Cmpt.	560815	female	Sw93	Parcel Rack RH	562651	female
Sw64.B	Service Cmpt.	560815	female	Sw94.A	WCL Door.	560079	female
Sw65	Parcel Rack LH	562651	female	Sw94.B	WCL Door.	560079	female
Sw66	Parcel Rack LH	562651	female	Sw94.C	WCL Door.	560079	female
Sw67	Parcel Rack LH	562651	female	Sw95.A	WCL Door.	561626	female
Sw68	Parcel Rack LH	562651	female	Sw95.B	WCL Door.	561626	female
Sw69	Parcel Rack LH	562651	female	Sw95.C	WCL Door.	561626	female
Sw70	Parcel Rack LH	562651	female	Sw96.A	WCL Door.	561626	female
Sw71	Parcel Rack LH	562651	female	Sw96.B	WCL Door.	561626	female
Sw72	Parcel Rack LH	562651	female	Sw96.C	WCL Door.	561626	female
Sw73	Parcel Rack RH	562651	female	Sw97.A	WCL Door.	561626	female
Sw74	Parcel Rack RH	562651	female	Sw97.B	WCL Door.	561626	female
Sw75	Parcel Rack RH	562651	female	Sw97.C	WCL Door.	561626	female
Sw76	Parcel Rack RH	562651	female	Sw98.A	WCL Door.	561626	female
Sw77	Parcel Rack RH	562651	female	Sw98.B	WCL Door.	561626	female
Sw78	Parcel Rack RH	562651	female	Sw98.C	WCL Door.	561626	female
Sw79	Parcel Rack RH	562651	female	Sw99	Dash	562763	male
Sw80	Parcel Rack RH	562651	female	Sw100	Dash	562763	male
Sw81.A	Dash	562905	male	Sw101	Left Hand Console	562763	male
Sw81.B	Dash	562905	male	Sw102	Left Hand Console	562471	male
Sw82.A	RJB	561457	female	Sw102	Left Hand Console	562348	male
Sw82.B	RJB	561457	female	VECF1	FJB	563186	male
Sw82.C	RJB	561457	female	VECF1	FJB	mating_563186	female
Sw82.D	RJB	561457	female	VECF2	FJB	563183	male
Sw83.A	Dash	560082	female	VECF2	FJB	mating_563183	female
Sw83.B	Dash	560815	female	VECF3	FJB	563185	male
Sw83.C	Dash	560082	female	VECF3	FJB	mating_563185	female
Sw83.D	Dash	560815	female	VECF4	FJB	563182	male
Sw84.A	Service Cmpt.	562477	male	VECF4	FJB	mating_563182	female
Sw84.B	Service Cmpt.	560488	female	VECF10	FJB	563181	male
Sw85	Left Hand Console	562749	male	VECF10	FJB	mating_563181	female
Sw86	Parcel Rack RH	562651	female	VECF11	FJB	563184	male
Sw87	Parcel Rack RH	562651	female	VECF11	FJB	mating_563184	female
Sw88	Parcel Rack RH	562651	female	VECF12	FJB	563187	male

## CONNECTORS LIST

No	Location	#Prev	Housing Gender	No	Location	#Prev	Housing Gender
VECF12	FJB	mating_563187	female				
VECR1	RJB	563186	male				
VECR1	RJB	mating_563186	female				
VECR2	RJB	563183	male				
VECR2	RJB	mating_563183	female				
VECR3	RJB	563185	male				
VECR3	RJB	mating_563185	female				
VECR4	RJB	563182	male				
VECR4	RJB	mating_563182	female				
VECR9	RJB	563448	male				
VECR9	RJB	mating_563448	female				
VECR10	RJB	563181	male				
VECR10	RJB	mating_563181	female				
VECR11	RJB	563184	male				
VECR11	RJB	mating_563184	female				
VECR12	RJB	563187	male				
VECR12	RJB	mating_563187	female				

# CONNECTORS LIST

No	Location	Part #	Gender	No	Location	Part #	Gender
A1		563975	male	A31.B		561781	female
A2		563984	male	A32		563616	female
A3	Dash	562363	male	A34		563463	male
A4.A		562428	female	A35		563463	male
A4.B		561188	female	A36.JA	FJB	562767	male
A5	Service_Cmpt_	562428	female	A36.JB	FJB	562765	male
A6		563628	female	A36.JC	FJB	562957	male
A7		563979	male	A37		563463	male
A8	Engine_Cmpt_	563403	female	A38		563463	male
A9.Cx1	FJB	563200	male	A39.P101	Parcel_Rack_LH	563201	male
A9.Cx2	FJB	563201	male	A39.P901		563953	male
A10.X1	Engine_Cmpt_	563135	male	A40		562706	female
A10.X3	Engine_Cmpt_	563134	female	A40.A	Parcel_Rack_LH	563071	male
A11	Left_Hand_Console	563142	male	A40.C	Parcel_Rack_LH	563070	male
A12	Dash	562464	male	A41.J1	FJB	562767	male
A13.J1	FJB	562794	male	A41.J2	FJB	563132	male
A13.J2	FJB	562650	male	A41.J3	FJB	562957	male
A14.CX	Dash	562957	male	A42.J1	FJB	562767	male
A14.CY	Dash	562765	male	A42.J2	FJB	563132	male
A14.LX	Dash	562766	male	A42.J3	FJB	562957	male
A14.LY	Dash	562767	male	A43.J1	FJB	562767	male
A14.RX	Dash	562767	male	A43.J2	FJB	563132	male
A15	Dash	562464	male	A43.J3	FJB	562957	male
A16	Front_Roof	561637	male	A44.J1	FJB	563133	male
A18.J1	FJB	562794	male	A44.J2	FJB	563132	male
A18.J2	FJB	562650	male	A44.J3	FJB	562957	male
A19	Left_Hand_Console	562878	female	A45.J1	FJB	563133	male
A20	Parcel_Rack_LH	561477	female	A45.J2	FJB	563132	male
A21	Rear_Axle_Cmpt_	kostalF	female	A45.J3	FJB	562957	male
A22	Left_Hand_Console	563338	male	A46.J1	FJB	563133	male
A23		563053	male	A46.J2	FJB	563132	male
A24	Right_Hand_Console	561889	female	A46.J3	FJB	562957	male
A24.A	Right_Hand_Console	561890	male	A47.J1	Right_Hand_Console	563133	male
A24.B	Right_Hand_Console	561566	female	A47.J2	Right_Hand_Console	563132	male
A25	Parcel_Rack_LH	563025	male	A47.J3	Right_Hand_Console	562957	male
A27	Service_Cmpt_	562929	male	A48.J1	Right_Hand_Console	563133	male
A28	Service_Cmpt_	562928	male	A48.J2	Right_Hand_Console	563132	male
A29	Dash	562465	male	A48.J3	Right_Hand_Console	562957	male
A30		563226	male	A49.J1	RJB	562767	male
A31.A		561782	male	A49.J2	RJB	563132	male

# CONNECTORS LIST

No	Location	Part #	Gender	No	Location	Part #	Gender
A49.J3	RJB	562957	male	A69	Parcel_Rack_LH	563071	male
A50.J1	RJB	563133	male	A69.B		561716	female
A50.J2	RJB	563132	male	A69.C		561716	female
A50.J3	RJB	562957	male	A69.D		561716	female
A51.J1	RJB	563133	male	A69.E		561716	female
A51.J2	RJB	563132	male	A69.F		561716	female
A51.J3	RJB	562957	male	A69.G		561716	female
A52.J1	RJB	563133	male	A69.H		561716	female
A52.J2	RJB	563132	male	A70	Parcel_Rack_LH	563696	male
A52.J3	RJB	562957	male	A71.A	Parcel_Rack_LH	562464	male
A53.J1	RJB	563133	male	A71.B		562706	female
A53.J2	RJB	563132	male	A71.C	Parcel_Rack_LH	562706	female
A53.J3	RJB	562957	male	A71.D	Parcel_Rack_LH	562706	female
A54.J1	Evap_Cmpt_	563133	male	A72.A		563960	male
A54.J2	Evap_Cmpt_	563132	male	A72.B		563962	male
A54.J3	Evap_Cmpt_	562957	male	A72.C		564009	male
A60		562706	female	A72.D		563961	male
A60.A	Parcel_Rack_LH	562464	male	Alt1.A		560815	female
A60.C	Parcel_Rack_LH	562706	female	Alt1.C		562862	female
A60.D	Parcel_Rack_LH	562706	female	Alt2.A		560815	female
A61.A	Parcel_Rack_LH	562464	male	Alt2.C		562862	female
A61.B	Parcel_Rack_LH	562465	male	BOOM		560999	male
A63.A	Dash	563960	male	C1	Service_Cmpt_	563589	male
A63.B	Dash	563962	male	C1	Service_Cmpt_	563590	female
A63.C		564009	MALE	C1S	Service_Cmpt_	563589	male
A63.D	Dash	563961	male	C1S	Service_Cmpt_	563590	female
A64	Parcel_Rack_LH	563954	male	C2		563580	male
A65	Parcel_Rack_LH	562465	male	C2		563581	female
A66	Parcel_Rack_LH	561183	male	C3	RJB	563589	male
A67.Vsa		563948	male	C3	RJB	563590	female
A67.Vsb		563950	male	C3S		563589	male
A67.Vsc		563947	male	C3S		563590	female
A67.Vsd		563949	male	C4	Service_Cmpt_	563580	male
A67.Vse		563951	male	C4	Service_Cmpt_	563581	female
A68.A	Parcel_Rack_LH	563960	male	C5	Service_Cmpt_	563589	male
A68.B	Parcel_Rack_LH	563962	male	C5	Service_Cmpt_	563590	female
A68.C		564009	MALE	C5S	Service_Cmpt_	563589	male
A68.C		564009	MALE	C5S	Service_Cmpt_	563590	female
A68.C		564009	male	C6	Service_Cmpt_	563582	male
A68.D	Parcel_Rack_LH	563961	male	C6	Service_Cmpt_	563583	female

# CONNECTORS LIST

No	Location	Part #	Gender	No	Location	Part #	Gender
C9	Evap_Cmpt_	561986	male	C35	RJB	562283	male
C9	Evap_Cmpt_	561987	female	C35	RJB	562280	female
C11	Service_Cmpt_	563580	male	C36		561986	male
C11	Service_Cmpt_	563581	female	C36		561987	female
C13S	Right_Hand_Console	563589	male	C37	Parcel_Rack_LH	562557	male
C13S	Right_Hand_Console	563590	female	C37	Parcel_Rack_LH	562558	female
C14	Evap_Cmpt_	561986	male	C38	Parcel_Rack_RH	562555	male
C14	Evap_Cmpt_	561987	female	C38	Parcel_Rack_RH	562556	female
C15		561643	male	C39	Right_Modesty_Panel	562503	male
C15		561642	female	C39	Right_Modesty_Panel	562507	female
C16	RJB	561577	male	C40	Dash	562485	male
C16	RJB	561605	female	C40	Dash	562486	female
C17	RJB	561986	male	C41	RJB	561690	male
C17	RJB	561987	female	C41	RJB	561566	female
C18	FJB	561986	male	C43	Lavatory	561661	female
C18	FJB	561987	female	C43	Lavatory	561662	male
C19	RJB	561986	male	C44_plug	FJB	561577	male
C19	RJB	561987	female	C44_socket	FJB	561605	female
C21A	RJB	561646	male	C45	FJB	561643	male
C21A	RJB	561645	female	C45	FJB	561642	female
C21B	RJB	561646	male	C46	FJB	561577	male
C21B	RJB	561645	female	C46	FJB	561605	female
C22	RJB	561847	male	C47		561247	male
C22	RJB	561862	female	C47		561248	female
C23	5thLugg.Cmpt	561847	male	C48	Service_Cmpt_	561690	male
C23	5thLugg.Cmpt	561862	female	C48	Service_Cmpt_	561566	female
C24_plug	Evap_Cmpt_	561690	male	C51		562477	male
C24_socket	Evap_Cmpt_	561566	female	C51		562479	female
C29	5th_Lugg_Cmpt_	563651	male	C53		561539	male
C29	5th_Lugg_Cmpt_	563652	female	C53		561540	female
C30	5th_Lugg_Cmpt_	561710	male	C55	Evap_Cmpt_	561577	male
C30	5th_Lugg_Cmpt_	561709	female	C55	Evap_Cmpt_	561605	female
C31		561734	male	C66		561577	male
C31		561735	female	C66		561605	female
C32	5th_Lugg_Cmpt_	561550	male	C67		561247	male
C32	5th_Lugg_Cmpt_	561667	female	C67		561248	female
C33	RHFrontRoof	561550	male	C69	RrAxleInsidePVC	561607	male
C33	RHFrontRoof	561667	female	C69	RrAxleInsidePVC	561606	female
C34	Right_Hand_Console	561986	male	C71	Service_Cmpt_	561646	male
C34	Right_Hand_Console	561987	female	C71	Service_Cmpt_	561645	female

# CONNECTORS LIST

No	Location	Part #	Gender	No	Location	Part #	Gender
C72		561646	male	C124		561577	male
C72		561645	female	C124		561605	female
C74		561645	female	C125	Service_Cmpt_	562503	male
C74		561646	male	C125	Service_Cmpt_	562507	female
C78		561690	male	C126		562581	male
C78		561566	female	C126		562583	female
C82		562581	male	C127		563412	male
C82		562583	female	C127		563413	female
C87	Lavatory	561637	male	C128		563412	male
C87	Lavatory	561636	female	C128		563413	female
C91		562285	male	C129		563412	male
C91		562282	female	C129		563413	female
C92	FJB	561640	male	C130		563412	male
C92	FJB	561639	female	C130		563413	female
C96	FrAxleAccessories	561583	male	C131		563412	male
C96	FrAxleAccessories	561585	female	C131		563413	female
C97	RrAxleAcclInsidePVC	561607	male	C132		563412	male
C97	RrAxleAcclInsidePVC	561606	female	C132		563413	female
C100	5th_Lugg_Cmpt_	563589	male	C133		563412	male
C100	5th_Lugg_Cmpt_	563590	female	C133		563413	female
C100S	5th_Lugg_Cmpt_	563589	male	C134		563412	male
C100S	5th_Lugg_Cmpt_	563590	female	C134		563413	female
C101	Service_Cmpt_	561690	male	C141		561247	male
C101	Service_Cmpt_	561566	female	C141		561248	female
C102		561690	male	C144	UnderLHSeat	560852	male
C102		561566	female	C144	UnderLHSeat	560851	female
C103		562485	male	C150		561515	male
C103		562486	female	C150		561552	female
C105		562581	male	C152	CondensorCmpt.	561611	male
C105		562583	female	C152	CondensorCmpt.	561610	female
C119	EngineDoor	561607	male	C155		561626	female
C119	EngineDoor	561606	female	C155		561904	female
C120	EngineDoor	561607	male	C168	Above_Rear_Axle	561690	male
C120	EngineDoor	561606	female	C168	Above_Rear_Axle	561566	female
C121	EngineDoor	561690	male	C171	Service_Cmpt_	561646	male
C121	EngineDoor	561566	female	C171	Service_Cmpt_	561645	female
C122		561690	male	C183	Service_Cmpt_	561611	male
C122		561566	female	C183	Service_Cmpt_	561610	female
C123		561690	male	C193		563589	male
C123		561566	female	C193		563590	female



# CONNECTORS LIST

No	Location	Part #	Gender	No	Location	Part #	Gender
C194		563589	male	C298	Parcel_Rack_LH_1st_Cmpt_	561782	male
C194		563590	female	C298	Parcel_Rack_LH_1st_Cmpt_	561781	female
C206	Over_Head_Driver_Area	562503	male	C380	Dash	563180	male
C206	Over_Head_Driver_Area	562507	female	C380	Dash	563347	female
C209	Parcel_Rack_RH_Midway	562503	male	C381		561847	male
C209	Parcel_Rack_RH_Midway	562507	female	C381		561862	female
C211	Over_Head_Entrance_Door	562503	male	C382	Driver_Area	561580	male
C211	Over_Head_Entrance_Door	562507	female	C382	Driver_Area	561582	female
C212	WCL_Door	561515	male	C394	FJB	560852	male
C212	WCL_Door	561552	female	C394	FJB	560851	female
C230	Engine_Cmpt_	562485	male	C397	RJB	562285	male
C230	Engine_Cmpt_	562486	female	C397	RJB	562282	female
C239	Service_Cmpt_	561690	male	C398	Over_Head_Driver_Area	561662	male
C239	Service_Cmpt_	561566	female	C398	Over_Head_Driver_Area	561661	female
C240	Service_Cmpt_	561607	male	C403		561247	male
C240	Service_Cmpt_	561606	female	C403		561248	female
C242	Service_Cmpt_	562789	male	C404		561247	male
C242	Service_Cmpt_	565131	female	C404		561248	female
C243	Service_Cmpt_	562789	male	C405		561247	male
C243	Service_Cmpt_	565131	female	C405		561248	female
C246	Service_Cmpt_	563090	male	C426	EngineCmpt	561782	male
C246	Service_Cmpt_	563091	female	C426	EngineCmpt	561781	female
C260	Service_Cmpt_	561607	male	C430	LHConsole	562363	male
C260	Service_Cmpt_	561606	female	C430	LHConsole	561188	female
C269	RHConsole	563090	male	C452	Dash	562549	male
C269	RHConsole	563091	female	C452	Dash	562550	female
C279	Service_Cmpt_	562477	male	C463	Engine_Cmpt_	562570	female
C279	Service_Cmpt_	562479	female	C463	Engine_Cmpt_	562571	male
C284	Over_Head_Driver_Area	561782	male	C464	RJB	563180	male
C284	Over_Head_Driver_Area	561781	female	C464	RJB	563347	female
C284-1	Over_Head_Driver_Area	561782	male	C465	Spare_Tire_Cmpt	562581	male
C284-1	Over_Head_Driver_Area	561781	female	C465	Spare_Tire_Cmpt	562583	female
C284-2	Over_Head_Driver_Area	561782	male	C506	FJB	561687	male
C284-2	Over_Head_Driver_Area	561781	female	C506	FJB	561685	female
C284-3	Over_Head_Driver_Area	561782	male	C542	Parcel_Rack_LH_1st_Cmpt_	561550	male
C284-3	Over_Head_Driver_Area	561781	female	C542	Parcel_Rack_LH_1st_Cmpt_	561667	female
C284-4	Over_Head_Driver_Area	561782	male	C558	Dash	562503	male
C284-4	Over_Head_Driver_Area	561781	female	C558	Dash	562507	female
C284-5	Over_Head_Driver_Area	561782	male	C564	Left_Modesty_Panel	562503	male
C284-5	Over_Head_Driver_Area	561781	female	C564	Left_Modesty_Panel	562507	female

# CONNECTORS LIST

No	Location	Part #	Gender	No	Location	Part #	Gender
C564-Sp	Left_Hand_Console	562503	male	C720	Rear_Axle_Cmpt_	563359	female
C564-Sp	Left_Hand_Console	562507	female	C721	RJB	561515	male
C566	Left_Hand_Console	562503	male	C721	RJB	561552	female
C566	Left_Hand_Console	562507	female	C723	Rear_Axle_Cmpt_	562877	female
C567	Left_Hand_Console	562503	male	C723	Rear_Axle_Cmpt_	562884	female
C567	Left_Hand_Console	562507	female	C750	Parcel_Rack_LH_1st_Cmpt_	562707	male
C575	RrSectionRHHatRack	562503	male	C750	Parcel_Rack_LH_1st_Cmpt_	562706	female
C575	RrSectionRHHatRack	562507	female	C751	Parcel_Rack_LH_1st_Cmpt_	562707	male
C576	RrSectionRHHatRack	561550	male	C751	Parcel_Rack_LH_1st_Cmpt_	562706	female
C576	RrSectionRHHatRack	561667	female	C752	Parcel_Rack_LH_1st_Cmpt_	562707	male
C577	RrSectionLHHatRack	561550	male	C752	Parcel_Rack_LH_1st_Cmpt_	562706	female
C577	RrSectionLHHatRack	561667	female	C753	Parcel_Rack_LH_1st_Cmpt_	562707	male
C578	RrSectionLHHatRack	562503	male	C753	Parcel_Rack_LH_1st_Cmpt_	562706	female
C578	RrSectionLHHatRack	562507	female	C754		562707	male
C581	UnderdashBoard	562777	male	C754		562706	female
C582	FJB	561690	female	C755	Parcel_Rack_LH_1st_Cmpt_	562707	male
C582	FJB	561566	female	C755	Parcel_Rack_LH_1st_Cmpt_	562706	female
C589	Service_Cmpt_	563088	male	C756		562707	male
C589	Service_Cmpt_	563089	female	C756		562706	female
C590	RHConsole	563088	male	C757		562707	male
C590	RHConsole	563089	female	C757		562706	female
C601	LHRoofWinAjar	561476	male	C758		562707	male
C601	LHRoofWinAjar	561477	female	C758		562706	female
C602		561476	male	C759		562707	male
C602		561477	female	C759		562706	female
C603	RHRoofWinAjar	561476	male	C760		562707	male
C603	RHRoofWinAjar	561477	female	C760		562706	female
C611	Parcel_Rack_RH	562557	male	C761	Parcel_Rack_LH_1st_Cmpt_	562707	male
C611	Parcel_Rack_RH	562558	female	C761	Parcel_Rack_LH_1st_Cmpt_	562706	female
C612_plug	Parcel_Rack_RH	562555	male	C762	Parcel_Rack_LH_1st_Cmpt_	562707	male
C612_socket	Parcel_Rack_RH	562556	female	C762	Parcel_Rack_LH_1st_Cmpt_	562706	female
C613_plug	Parcel_Rack_RH	561550	male	C763	Parcel_Rack_LH_1st_Cmpt_	562707	male
C613_socket	Parcel_Rack_RH	561667	female	C763	Parcel_Rack_LH_1st_Cmpt_	562706	female
C614	Left_Seat_Row	563071	male	C764	Parcel_Rack_LH_1st_Cmpt_	562707	male
C614	Left_Seat_Row	563040	female	C764	Parcel_Rack_LH_1st_Cmpt_	562706	female
C615	Left_Seat_Row	563071	male	C765	Parcel_Rack_LH_1st_Cmpt_	562707	male
C615	Left_Seat_Row	563040	female	C765	Parcel_Rack_LH_1st_Cmpt_	562706	female
C717		561646	male	CSX1	Engine_Cmpt_	563135	male
C717		561645	female	CSX1	Engine_Cmpt_	563134	female
C720	Rear_Axle_Cmpt_	563358	male	CSX1	Engine_Cmpt_	563135	male

# CONNECTORS LIST

No	Location	Part #	Gender	No	Location	Part #	Gender
CSX3	Engine_Cmpt_	563134	female	L14.A	Parcel_Rack_LH	562758	male
CT2		563226	male	L14.B	Parcel_Rack_LH	562759	male
CT2		563613	female	L15.A	Parcel_Rack_LH	562758	male
CT3		563224	male	L15.B	Parcel_Rack_LH	562759	male
Ctest		560815	female	L16	Front_Roof	562803	male
Drspk_Left.A		562651	female	L17	Front_Roof	562803	male
Drspk_Left.B		562290	female	L18		562486	female
Drspk_Right.A		562651	female	L19	Entrance_Door	562486	female
Drspk_Right.B		562290	female	L20	Entrance_Door	562486	female
FUSE_BOX_1.A		562610	male	L21.A	Front_Roof	561608	female
FUSE_BOX_1.B		562610	male	L21.B	Front_Roof	562286	male
FUSE_BOX_2.A		562610	male	L22.A	Front_Roof	561608	female
FUSE_BOX_2.B		562610	male	L22.B	Front_Roof	562286	male
JACK_1		560999	male	L23.A	Front_Roof	561608	female
L.H.CONSOLE		560999	male	L23.B	Front_Roof	562286	male
L.H.MODESTYPANEL		560999	male	L24.A	Front_Roof	561608	female
L1	Service_Cmpt_	562848	male	L24.B	Front_Roof	562286	male
L2	Front_Roof	561247	male	L25.A	Front_Roof	561608	female
L3.A	Parcel_Rack_RH	562758	male	L25.B	Front_Roof	562286	male
L3.B	Parcel_Rack_RH	562759	male	L26.A	Front_Roof	561608	female
L4.A	Parcel_Rack_RH	562758	male	L26.B	Front_Roof	562286	male
L4.B	Parcel_Rack_RH	562759	male	L27.A	Front_Roof	561608	female
L5.A	Parcel_Rack_RH	562758	male	L27.B	Front_Roof	562286	male
L5.B	Parcel_Rack_RH	562759	male	L28	Parcel_Rack_LH	560898	male
L6.A	Parcel_Rack_RH	562758	male	L29	Parcel_Rack_LH	560898	male
L6.B	Parcel_Rack_RH	562759	male	L30	Parcel_Rack_LH	560898	male
L7.A	Parcel_Rack_RH	562758	male	L31	Parcel_Rack_LH	560898	male
L7.B	Parcel_Rack_RH	562759	male	L32	Parcel_Rack_LH	560898	male
L8.A	Parcel_Rack_RH	562758	male	L33	Parcel_Rack_LH	560898	male
L8.B	Parcel_Rack_RH	562759	male	L34	Parcel_Rack_LH	560898	male
L9.A	Parcel_Rack_LH	562758	male	L35	Parcel_Rack_LH	560898	male
L9.B	Parcel_Rack_LH	562759	male	L36	Parcel_Rack_LH	560898	male
L10.A	Parcel_Rack_LH	562758	male	L37	Parcel_Rack_LH	560898	male
L10.B	Parcel_Rack_LH	562759	male	L38	Parcel_Rack_LH	560898	male
L11.A	Parcel_Rack_LH	562758	male	L39	Parcel_Rack_LH	560898	male
L11.B	Parcel_Rack_LH	562759	male	L40	Parcel_Rack_RH	560898	male
L12.A	Parcel_Rack_LH	562758	male	L41	Parcel_Rack_RH	560898	male
L12.B	Parcel_Rack_LH	562759	male	L42	Parcel_Rack_RH	560898	male
L13.A	Parcel_Rack_LH	562758	male	L43	Parcel_Rack_RH	560898	male
L13.B	Parcel_Rack_LH	562759	male	L44	Parcel_Rack_RH	560898	male

# CONNECTORS LIST

No	Location	Part #	Gender	No	Location	Part #	Gender
L45	Parcel_Rack_RH	560898	male	L82	Rear_Engine_Door	562348	female
L46	Parcel_Rack_RH	560898	male	L83	Rear_Engine_Door	562348	female
L47	Parcel_Rack_RH	560898	male	L84.A	Rear_Roof	561608	female
L48	Parcel_Rack_RH	560898	male	L84.B	Rear_Roof	562286	male
L49	Parcel_Rack_RH	560898	male	L85.A	Rear_Roof	561608	female
L50	Parcel_Rack_RH	560898	male	L85.B	Rear_Roof	562286	male
L51	Parcel_Rack_RH	560898	male	L86.A	Rear_Roof	561608	female
L52	Driver_Area	560898	male	L86.B	Rear_Roof	562286	male
L53	Passenger_Area	560898	male	L87.A	Rear_Roof	561608	female
L54	Passenger_Area	560898	male	L87.B	Rear_Roof	562286	male
L55	Passenger_Area	560898	male	L88.A	Rear_Roof	561608	female
L56	Passenger_Area	560898	male	L88.B	Rear_Roof	562286	male
L57	Passenger_Area	560898	male	L89.A	Rear_Roof	561608	female
L58	Passenger_Area	560898	male	L89.B	Rear_Roof	562286	male
L59.A	Outside_Front_RH	562623	male	L90.A	Rear_Roof	561608	female
L59.B	Outside_Front_RH	562623	male	L90.B	Rear_Roof	562286	male
L60.A	Outside_Front_LH	562623	male	L91	Engine_Cmpt_	562755	male
L60.B	Outside_Front_LH	562623	male	L92	Engine_Cmpt_	562755	male
L61	Outside_Front_RH	562601	male	L93.A		563069	female
L62	Outside_Front_LH	562601	male	L93.B		563069	female
L63	Outside_Front_RH	562155	male	L94.A		563069	female
L64	Outside_Front_RH	562155	male	L94.B		563069	female
L65	Outside_Front_LH	562155	male	L95	Outside_Front_LH	562902	female
L66	Outside_Front_LH	562155	male	L96	Outside_Front_RH	562902	female
L67	3rd_Lugg_Cmpt_	562155	male	L97.A		563069	female
L68	3rd_Lugg_Cmpt_	562155	male	L97.B		563069	female
L69	3rd_Lugg_Cmpt_	562155	male	L98.A		563069	female
L70	3rd_Lugg_Cmpt_	562155	male	L98.B		563069	female
L71	Rear_Engine_Door	562601	male	L99	Parcel_Rack_LH	560898	male
L72	Rear_Vehicle	562155	male	L100	Parcel_Rack_LH	560898	male
L73	Rear_Vehicle	562601	male	L101	Parcel_Rack_LH	560898	male
L74	Rear_Vehicle	562155	male	L102	Parcel_Rack_LH	560898	male
L75	Rear_Vehicle	562155	male	L103	Parcel_Rack_LH	560898	male
L76	Rear_Engine_Door	562155	male	L104	Parcel_Rack_LH	560898	male
L77	Rear_Engine_Door	562601	male	L105	Parcel_Rack_LH	560898	male
L78	Rear_Engine_Door	562601	male	L106	Parcel_Rack_LH	560898	male
L79	Rear_Engine_Door	562601	male	L107	Parcel_Rack_LH	560898	male
L80	Rear_Engine_Door	562601	male	L108	Parcel_Rack_LH	560898	male
L81.A	Rear_Engine_Door	562835	female	L109	Parcel_Rack_LH	560898	male
L81.B	Rear_Engine_Door	562834	male	L110	Parcel_Rack_LH	560898	male

# CONNECTORS LIST

No	Location	Part #	Gender	No	Location	Part #	Gender
L111	Parcel_Rack_LH	560898	male	L148.A	Parcel_Rack_LH	562756	male
L112	Parcel_Rack_LH	560898	male	L148.B		562505	female
L113	Parcel_Rack_RH	560898	male	L149.A	Parcel_Rack_LH	562756	male
L114	Parcel_Rack_RH	560898	male	L149.B	Parcel_Rack_LH	562505	female
L115	Parcel_Rack_RH	560898	male	L150.A	Parcel_Rack_LH	562756	male
L116	Parcel_Rack_RH	560898	male	L150.B	Parcel_Rack_LH	562505	female
L117	Parcel_Rack_RH	560898	male	L151.A	Parcel_Rack_LH	562756	male
L118	Parcel_Rack_RH	560898	male	L151.B	Parcel_Rack_LH	562505	female
L119	Parcel_Rack_RH	560898	male	L152.A	Parcel_Rack_LH	562756	male
L120	Parcel_Rack_RH	560898	male	L152.B	Parcel_Rack_LH	562505	female
L121	Parcel_Rack_RH	560898	male	L153.A	Parcel_Rack_LH	562756	male
L122	Parcel_Rack_RH	560898	male	L153.B	Parcel_Rack_LH	562505	female
L123	Parcel_Rack_RH	560898	male	L154.A	Parcel_Rack_LH	562756	male
L124	Parcel_Rack_RH	560898	male	L154.B	Parcel_Rack_LH	562505	female
L125	Parcel_Rack_RH	560898	male	L155.A	Parcel_Rack_LH	562756	male
L126	Parcel_Rack_RH	560898	male	L155.B	Parcel_Rack_LH	562505	female
L127	Parcel_Rack_RH	562758	male	L156.A	Parcel_Rack_LH	562756	male
L128	Parcel_Rack_RH	562758	male	L156.B	Parcel_Rack_LH	562505	female
L129	Parcel_Rack_RH	562758	male	L157.A	Parcel_Rack_LH	562756	male
L130	Parcel_Rack_RH	562758	male	L157.B	Parcel_Rack_LH	562505	female
L131	Parcel_Rack_RH	562758	male	L158.A	Parcel_Rack_LH	562756	male
L132	Parcel_Rack_RH	562758	male	L158.B	Parcel_Rack_LH	562505	female
L134	Parcel_Rack_LH	562758	male	L159.A	Parcel_Rack_RH	562756	male
L135	Parcel_Rack_LH	562758	male	L159.B		562505	female
L136	Parcel_Rack_LH	562758	male	L160.A	Parcel_Rack_RH	562756	male
L137	Parcel_Rack_LH	562758	male	L160.B	Parcel_Rack_RH	562505	female
L138	Parcel_Rack_LH	562758	male	L161.A	Parcel_Rack_RH	562756	male
L139	Parcel_Rack_LH	562758	male	L161.B	Parcel_Rack_RH	562505	female
L140	Lavatory	561247	male	L162.A	Parcel_Rack_RH	562756	male
L141	Lavatory	560898	male	L162.B	Parcel_Rack_RH	562505	female
L142	Lavatory	562803	male	L163.A	Parcel_Rack_RH	562756	male
L143	Front_Roof	561247	male	L163.B	Parcel_Rack_RH	562505	female
L144.A	Parcel_Rack_LH	562756	male	L164.A	Parcel_Rack_RH	562756	male
L144.B	Parcel_Rack_LH	562505	female	L164.B	Parcel_Rack_RH	562505	female
L145.A	Parcel_Rack_LH	562756	male	L165.A	Parcel_Rack_RH	562756	male
L145.B	Parcel_Rack_LH	562505	female	L165.B	Parcel_Rack_RH	562505	female
L146.A	Parcel_Rack_LH	562756	male	L166.A	Parcel_Rack_RH	562756	male
L146.B	Parcel_Rack_LH	562505	female	L166.B	Parcel_Rack_RH	562505	female
L147.A	Parcel_Rack_LH	562756	male	L167.A	Parcel_Rack_RH	562756	male
L147.B	Parcel_Rack_LH	562505	female	L167.B	Parcel_Rack_RH	562505	female

# CONNECTORS LIST

No	Location	Part #	Gender	No	Location	Part #	Gender
L168.A	Parcel_Rack_RH	562756	male	L206	Parcel_Rack_RH	562803	male
L168.B	Parcel_Rack_RH	562505	female	L207.A	5th_Lugg_Cmpt_	561699	female
L169.A	Parcel_Rack_RH	562756	male	L207.B	5th_Lugg_Cmpt_	561699	female
L169.B	Parcel_Rack_RH	562505	female	L207.C	5th_Lugg_Cmpt_	561701	female
L170.A	Parcel_Rack_RH	562756	male	L207.D	5th_Lugg_Cmpt_	561699	female
L170.B	Parcel_Rack_RH	562505	female	L207.E	5th_Lugg_Cmpt_	561701	female
L171.A	Parcel_Rack_RH	562756	male	L207.F	5th_Lugg_Cmpt_	561699	female
L171.B	Parcel_Rack_RH	562505	female	L207.G	5th_Lugg_Cmpt_	561699	female
L172	Parcel_Rack_RH	562756	male	L207.H	5th_Lugg_Cmpt_	560926	female
L172.B	Parcel_Rack_RH	562505	female	L207.I	5th_Lugg_Cmpt_	560926	female
L173	Engine_Cmpt_	563268	male	L208	Outside_Front_LH	563088	male
L174	Engine_Cmpt_	563268	male	L209	Outside_Front_RH	563088	male
L175	RJB	561247	male	L211	Entrance_Door	562486	female
L176	5th_Lugg_Cmpt_	561247	male	L213.A	Parcel_Rack_RH	561248	female
L177	5th_Lugg_Cmpt_	561247	male	L213.B	Parcel_Rack_RH	561248	female
L178	3rd_Lugg_Cmpt_	561247	male	L214.A	Parcel_Rack_RH	561248	female
L179	3rd_Lugg_Cmpt_	561247	male	L214.B	Parcel_Rack_RH	561248	female
L180	2nd_Lugg_Cmpt_	561247	male	L215.A	Parcel_Rack_RH	561248	female
L181	2nd_Lugg_Cmpt_	561247	male	L215.B	Parcel_Rack_RH	561248	female
L182	1st_Lugg_Cmpt_	561247	male	L216.A	Parcel_Rack_RH	561248	female
L183	1st_Lugg_Cmpt_	561247	male	L216.B	Parcel_Rack_RH	561248	female
L184	Service_Cmpt_	561247	male	L217.A	Parcel_Rack_RH	561248	female
L187	Engine_Cmpt_	561690	male	L217.B	Parcel_Rack_RH	561248	female
L188	Service_Cmpt_	562486	female	L218.A	Parcel_Rack_RH	561248	female
L189	Outside_Front_RH	562069	male	L218.B	Parcel_Rack_RH	561248	female
L190	Outside_Front_LH	562069	male	L219.A	Parcel_Rack_LH	561248	female
L191	Parcel_Rack_LH	561550	male	L219.B	Parcel_Rack_LH	561248	female
L192	Parcel_Rack_LH	560898	male	L220.A	Parcel_Rack_LH	561248	female
L193.A	Dash	560488	female	L220.B	Parcel_Rack_LH	561248	female
L193.B	Dash	560488	female	L221.A	Parcel_Rack_LH	561248	female
L194.A	Left_Hand_Console	562019	female	L221.B	Parcel_Rack_LH	561248	female
L194.B	Left_Hand_Console	560488	female	L222.A	Parcel_Rack_LH	561248	female
L195.A	Dash	560488	female	L222.B	Parcel_Rack_LH	561248	female
L195.B	Dash	560488	female	L223.A	Parcel_Rack_LH	561248	female
L199	Engine_Cmpt_	562471	male	L223.B	Parcel_Rack_LH	561248	female
L200	Engine_Cmpt_	562471	male	L224.A	Parcel_Rack_LH	561248	female
L201	Front_Roof	561247	male	L224.B	Parcel_Rack_LH	561248	female
L202	Front_Roof	561247	male	L225.A	Parcel_Rack_LH	561248	female
L203		561690	male	L225.B	Parcel_Rack_LH	561248	female
L205	Evap_Cmpt_	562485	male	L226	Parcel_Rack_RH	562758	male

# CONNECTORS LIST

No	Location	Part #	Gender	No	Location	Part #	Gender
L227	Parcel_Rack_RH	562758	male	L251.B		562505	female
L228	Parcel_Rack_RH	562758	male	L252.A		562756	male
L229	Parcel_Rack_RH	562758	male	L252.B		562505	female
L230	Parcel_Rack_RH	562758	male	L253.A		562756	male
L231	Parcel_Rack_RH	562758	male	L253.B		562505	female
L232.A	Parcel_Rack_RH	562758	male	L254.A		562756	male
L232.B	Parcel_Rack_RH	562759	male	L254.B		562505	female
L233.A	Parcel_Rack_RH	562758	male	L255.A		562756	male
L233.B	Parcel_Rack_RH	562759	male	L255.B		562505	female
L234.A	Parcel_Rack_RH	562758	male	L256.A		562756	male
L234.B	Parcel_Rack_RH	562759	male	L256.B		562505	female
L235.A	Parcel_Rack_RH	562758	male	L257.A		562756	male
L235.B	Parcel_Rack_RH	562759	male	L257.B		562505	female
L236.A	Parcel_Rack_RH	562758	male	L258	Parcel_Rack_RH	560898	male
L236.B	Parcel_Rack_RH	562759	male	L259	Parcel_Rack_RH	560898	male
L238.A	Parcel_Rack_RH	561248	female	L260	Parcel_Rack_RH	560898	male
L238.B	Parcel_Rack_RH	561248	female	L261	Parcel_Rack_RH	560898	male
L239.A	Parcel_Rack_RH	561248	female	L262	Parcel_Rack_RH	560898	male
L239.B	Parcel_Rack_RH	561248	female	L263	Parcel_Rack_RH	560898	male
L240.A	Parcel_Rack_RH	561248	female	L264	Parcel_Rack_RH	560898	male
L240.B	Parcel_Rack_RH	561248	female	L266	Parcel_Rack_RH	560898	male
L241.A	Parcel_Rack_RH	561248	female	L267	Parcel_Rack_RH	560898	male
L241.B	Parcel_Rack_RH	561248	female	L268	Parcel_Rack_RH	560898	male
L242.A	Parcel_Rack_RH	561248	female	L269	Parcel_Rack_RH	560898	male
L242.B	Parcel_Rack_RH	561248	female	L270	Parcel_Rack_RH	560898	male
L244.A	Parcel_Rack_RH	562756	male	L271	Parcel_Rack_RH	560898	male
L244.B		562505	female	L272	Parcel_Rack_RH	560898	male
L245.A	Parcel_Rack_RH	562756	male	L273	Parcel_Rack_RH	560898	male
L245.B		562505	female	L274	Parcel_Rack_RH	560898	male
L246.A	Parcel_Rack_RH	562756	male	L275	Parcel_Rack_RH	560898	male
L246.B		562505	female	L276	Parcel_Rack_RH	560898	male
L247.A	Parcel_Rack_RH	562756	male	L277	Parcel_Rack_RH	560898	male
L247.B		562505	female	L278	Parcel_Rack_RH	560898	male
L248.A	Parcel_Rack_RH	562756	male	L279	Parcel_Rack_RH	560898	male
L248.B		562505	female	L280	Parcel_Rack_RH	560898	male
L249.A		562756	male	L281	Parcel_Rack_RH	560898	male
L249.B		562505	female	L282	Rear_Axle_Cmpt_	561690	male
L250.A		562756	male	L285		562251	male
L250.B		562505	female	L293.A		560081	female
L251.A		562756	male	L293.B		560081	female

# CONNECTORS LIST

No	Location	Part #	Gender	No	Location	Part #	Gender
L294.A		560081	female	R6	RJB	561183	male
L294.B		560081	female	R8	RJB	561183	male
L295		562251	male	R9	Evap_Cmpt_	563409	male
Mo1	Engine_Cmpt_	561690	female	R10	Evap_Cmpt_	563409	male
Mo2	Engine_Cmpt_	561782	male	R11	RJB	561183	male
Mo3	Dash	561667	female	R12	Evap_Cmpt_	563409	male
Mo4	Dash	562076	male	R13	RJB	561183	male
Mo5	Front_Roof	561550	female	R14	RJB	562367	male
Mo6	Service_Cmpt_	561690	male	R15	RJB	561183	male
Mo7.A		560102	female	R16	Dash	561183	male
Mo7.B		560102	female	R17	RJB	562367	male
Mo10	Parcel_Rack_LH	561515	male	R18	FJB	562367	male
Mo11	Parcel_Rack_RH	561515	male	R19	FJB	562367	male
Mo12	Evap_Cmpt_	561690	male	R20	Evap_Cmpt_	561183	male
Mo13	Engine_Cmpt_	561690	female	R23	Right_Hand_Console	561183	male
Mo14	Parcel_Rack_RH	561566	female	R24	FJB	561183	male
Mo15	Front_Roof	560900	female	R25	RJB	561183	male
Mo16	Front_Roof	560900	female	R26	Cond_Cmpt_	561183	male
Mo17		563626	male	R35		561183	male
Mo18		562474	male	R36		561183	male
Mo19		562474	male	R37		561183	male
Mo20		562474	male	R_AMPLI	Parcel_Rack_LH	562367	male
Mo21	Front_Roof	561186	male	R_Tv	Parcel_Rack_LH	561183	male
Mo22	Right_Hand_Console	561186	male	Res3		563590	female
Mo24	Right_Hand_Console	562348	female	Res4		563590	female
Mo25	Right_Hand_Console	562348	female	Res5	Dash	563590	female
Mo54		562474	male	Res6		563590	female
P36.A	Engine_Cmpt_	561701	female	Res7	FJB	563590	female
P36.B	Engine_Cmpt_	561701	female	Res12	Engine_Cmpt_	563590	female
P36.C	Engine_Cmpt_	561701	female	Res15	RJB	561782	male
Pot1.A	Dash	560488	female	Se1	Engine_Cmpt_	562486	female
Pot1.B	Dash	560488	female	Se2	Engine_Cmpt_	562486	female
Pot1.C	Dash	560488	female	Se3	RJB	562486	female
R-12VISS	Parcel_Rack_LH	561183	male	Se4	Window_RH	561477	female
R.H.CONSOLE		560999	male	Se5	Window_RH	561477	female
R.H.MODESTYPANEL		560999	male	Se6	Window_RH	561477	female
R2	RJB	561183	male	Se7	Window_LH	561477	female
R3	RJB	563409	male	Se8	Window_LH	561477	female
R4		561183	male	Se9	Window_LH	561477	female
R5	RJB	561183	male	Se10	Window_LH	561477	female



# CONNECTORS LIST

No	Location	Part #	Gender	No	Location	Part #	Gender
Se11.A	Cond_Cmpt_	560082	male	Se44.B		560082	female
Se11.B	Cond_Cmpt_	560082	male	Se45		563409	male
Se11.C	Cond_Cmpt_	560082	male	Se46		562348	female
Se12	Engine_Cmpt_	561690	female	Se60		563409	male
Se13	Engine_Cmpt_	562350	male	So1	Engine_Cmpt_	561566	female
Se14.A	Driver_Area	561782	male	So3		641385	male
Se14.B	Driver_Area	561781	female	So4		641385	male
Se15	Right_Hand_Console	560898	male	So5		641385	male
Se16	Entrance_Door	562348	female	So6		641385	male
Se17	Entrance_Door	560081	female	So7	Service_Cmpt_	561566	male
Se18.A	Service_Cmpt_	560815	female	So8	Service_Cmpt_	563204	female
Se18.B	Service_Cmpt_	560815	female	So9	Engine_Cmpt_	561566	female
Se19.A	Service_Cmpt_	560082	female	So10	Cond_Cmpt_	562485	male
Se19.B	Service_Cmpt_	560082	female	So11	Cond_Cmpt_	561566	female
Se19.C	Service_Cmpt_	560082	female	So12	Evap_Cmpt_	561566	female
Se19.D	Service_Cmpt_	560082	female	So13	Evap_Cmpt_	563204	female
Se20	Evap_Cmpt_	562426	male	So14		641385	male
Se21	Dash	561248	female	So15		641385	male
Se22	Engine_Cmpt_	563404	female	So16		641385	male
Se23	Engine_Cmpt_	563159	male	So17		641385	male
Se24	Engine_Cmpt_	563159	male	So18		641385	male
Se25	Passenger_Area	561248	female	So19		641385	male
Se26	Service_Cmpt_	561690	female	So20		641385	male
Se27	Front_Axle_Cmpt_	561111	female	So21	Front_Axle_Cmpt_	561098	male
Se28		561690	male	So22	Front_Axle_Cmpt_	561098	male
Se29		561566	female	So23	Rear_Axle_Cmpt_	561098	male
Se30	Engine_Cmpt_	561690	female	So24	Rear_Axle_Cmpt_	561098	male
Se31	Engine_Cmpt_	561690	female	So25		641949	male
Se32	Engine_Cmpt_	563057	male	So26		641385	male
Se33	Engine_Cmpt_	562856	male	So27		641385	male
Se34	Engine_Cmpt_	563057	male	Spk1_L		563994	male
Se35	Engine_Cmpt_	563057	male	Spk1_R		563994	male
Se36		563629	female	Spk2_L		563994	male
Se37		641132	female	Spk2_R		563994	male
Se38		641132	female	Spk3_L		563994	male
Se39		641132	female	Spk3_R		563994	male
Se40		641132	female	Spk4_L		563994	male
Se41	Engine_Cmpt_	562486	female	Spk4_R		563994	male
Se43		563340	male	Spk5_L		563994	male
Se44.A		560082	female	Spk5_R		563994	male

# CONNECTORS LIST

No	Location	Part #	Gender	No	Location	Part #	Gender
Spk6_L		563994	male	Sw11	Dash	562763	male
Spk6_R		563994	male	Sw12		562763	male
Spk7_L		563994	male	Sw13	Dash	562763	male
Spk7_R		563994	male	Sw14	Dash	562763	male
Spk8_L		563994	male	Sw15	Dash	562763	male
Spk8_R		563994	male	Sw16	Dash	562763	male
Spk9_L		563994	male	Sw17	Dash	562763	male
Spk9_R		563994	male	Sw18	Dash	562763	male
Spk10_L		563994	male	Sw20	Dash	562763	male
Spk10_R		563994	male	Sw21	Dash	562763	male
Spk11_L		563994	male	Sw22	Dash	562763	male
Spk11_R		563994	male	Sw23	Dash	562763	male
Spk12_L		563994	male	Sw24	Dash	562763	male
Spk12_R		563994	male	Sw25	Dash	562763	male
Spk13_L		563994	male	Sw26	Dash	562763	male
Spk13_R		563994	male	Sw27	Dash	562763	male
Spk14_L		563994	male	Sw28	Left_Hand_Console	562763	male
Spk14_R		563994	male	Sw29	Dash	562763	male
Spk15_L		563994	male	Sw30		561566	female
Spk15_R		563994	male	Sw31	WCL_Door	563543	male
Spk16_L		563994	male	Sw32	Dash	561477	female
Spk16_R		563994	male	Sw33	Dash	561476	male
SpkDr_L.A		562651	female	Sw34	Outside_Front_RH	562477	male
SpkDr_L.B		562290	female	Sw35	Dash	562763	male
SpkDr_R.A		562651	female	Sw36	Left_Hand_Console	562763	male
SpkDr_R.B		562290	female	Sw37	Left_Hand_Console	562763	male
Sub1		564004	female	Sw38	Left_Hand_Console	562763	male
Sub2		564004	female	Sw39.A		562403	female
Sw1.C258		561188	female	Sw39.B		562403	female
Sw1.C259		561186	male	Sw40	Left_Hand_Console	561690	male
Sw2	Dash	562763	male	Sw41	Left_Hand_Console	562749	male
Sw3	Dash	562763	male	Sw42	5th_Lugg_Cmpt_	561635	female
Sw4	Dash	562763	male	Sw43	Service_Cmpt_	561690	male
Sw5	Dash	562763	male	Sw44.A		562403	female
Sw6		562763	male	Sw44.B		562403	female
Sw7.A	Cond_Cmpt_	562403	female	Sw45.A	5th_Lugg_Cmpt_	562403	female
Sw7.B	Cond_Cmpt_	562403	female	Sw45.B	5th_Lugg_Cmpt_	562403	female
Sw8	Dash	562763	male	Sw46.A	5th_Lugg_Cmpt_	562403	female
Sw9	Dash	562763	male	Sw46.B	5th_Lugg_Cmpt_	562403	female
Sw10	Dash	562763	male	Sw47.A	3rd_Lugg_Cmpt_	562403	female

# CONNECTORS LIST

No	Location	Part #	Gender	No	Location	Part #	Gender
Sw47.B	3rd_Lugg_Cmpt_	562403	female	Sw81.A	Dash	562905	male
Sw48.A	3rd_Lugg_Cmpt_	562403	female	Sw81.B	Dash	562905	male
Sw48.B	3rd_Lugg_Cmpt_	562403	female	Sw82.A	RJB	561457	female
Sw49.A	2nd_Lugg_Cmpt_	562403	female	Sw82.B	RJB	561457	female
Sw49.B	2nd_Lugg_Cmpt_	562403	female	Sw82.C	RJB	561457	female
Sw50.A	2nd_Lugg_Cmpt_	562403	female	Sw82.D	RJB	561457	female
Sw50.B	2nd_Lugg_Cmpt_	562403	female	Sw83.A	Dash	560082	female
Sw51.A	1st_Lugg_Cmpt_	562403	female	Sw83.B	Dash	560815	female
Sw51.B	1st_Lugg_Cmpt_	562403	female	Sw83.C	Dash	560082	female
Sw52	1st_Lugg_Cmpt_	562403	female	Sw83.D	Dash	560815	female
Sw52.B	1st_Lugg_Cmpt_	562403	female	Sw84.A	Service_Cmpt_	562477	male
Sw53	Parcel_Rack_LH	562651	female	Sw84.B	Service_Cmpt_	560488	female
Sw54.A	Lavatory	562835	female	Sw85	Left_Hand_Console	562749	male
Sw54.B	Lavatory	562834	male	Sw86	Parcel_Rack_RH	562651	female
Sw55.A	Lavatory	560488	female	Sw87	Parcel_Rack_RH	562651	female
Sw55.B	Lavatory	560488	female	Sw88	Parcel_Rack_RH	562651	female
Sw56.A	Lavatory	560488	female	Sw89	Parcel_Rack_RH	562651	female
Sw56.B	Lavatory	560488	female	Sw90	Parcel_Rack_RH	562651	female
Sw57	WCL_Door	563543	male	Sw91	Parcel_Rack_RH	562651	female
Sw58	Engine_Cmpt_	562581	male	Sw92	Parcel_Rack_RH	562651	female
Sw59	Engine_Cmpt_	562485	male	Sw93	Parcel_Rack_RH	562651	female
Sw60	Engine_Cmpt_	561566	female	Sw94.A		562403	female
Sw64.A	Service_Cmpt_	560815	female	Sw94.B		562403	female
Sw64.B	Service_Cmpt_	560815	female	Sw95.A	WCL_Door	561626	female
Sw65	Parcel_Rack_LH	562651	female	Sw95.B	WCL_Door	561626	female
Sw66	Parcel_Rack_LH	562651	female	Sw95.C	WCL_Door	561626	female
Sw67	Parcel_Rack_LH	562651	female	Sw96.A	WCL_Door	561626	female
Sw68	Parcel_Rack_LH	562651	female	Sw96.B	WCL_Door	561626	female
Sw69	Parcel_Rack_LH	562651	female	Sw96.C	WCL_Door	561626	female
Sw70	Parcel_Rack_LH	562651	female	Sw97.A	WCL_Door	561626	female
Sw71	Parcel_Rack_LH	562651	female	Sw97.B	WCL_Door	561626	female
Sw72	Parcel_Rack_LH	562651	female	Sw97.C	WCL_Door	561626	female
Sw73	Parcel_Rack_RH	562651	female	Sw98.A	WCL_Door	561626	female
Sw74	Parcel_Rack_RH	562651	female	Sw98.B	WCL_Door	561626	female
Sw75	Parcel_Rack_RH	562651	female	Sw98.C	WCL_Door	561626	female
Sw76	Parcel_Rack_RH	562651	female	Sw99	Dash	562763	male
Sw77	Parcel_Rack_RH	562651	female	Sw100	Dash	562763	male
Sw78	Parcel_Rack_RH	562651	female	Sw101	Left_Hand_Console	562763	male
Sw79	Parcel_Rack_RH	562651	female	Sw102	Left_Hand_Console	562471	male
Sw80	Parcel_Rack_RH	562651	female	Sw125.A		561457	female

# CONNECTORS LIST

No	Location	Part #	Gender
Sw125.B		561457	female
Sw126		562763	male
Sw299		562763	male
Sw300		562763	male
Sw301		562763	male
Sw302		562763	male
VECF1	FJB	563186	male
VECF2	FJB	563183	male
VECF3	FJB	563185	male
VECF4	FJB	563182	male
VECF10	FJB	563181	male
VECF11	FJB	563184	male
VECF12	FJB	563187	male
VECR1	RJB	563186	male
VECR2	RJB	563183	male
VECR3	RJB	563185	male
VECR4	RJB	563182	male
VECR9	RJB	563448	male
VECR10	RJB	563181	male
VECR11		563184	male
VECR12		563187	male

# CONNECTORS LIST

No	Location	Part #	Gender	No	Location	Part #	Gender
A1		563975	male	A31.B		561781	female
A2		563984	male	A32		563616	female
A3	Dash	562363	male	A34		563463	male
A4.A		562428	female	A35		563463	male
A4.B		561188	female	A36.JA	FJB	562767	male
A5	Service_Cmpt_	562428	female	A36.JB	FJB	562765	male
A6		563628	female	A36.JC	FJB	562957	male
A7		563979	male	A37		563463	male
A8	Engine_Cmpt_	563403	female	A38		563463	male
A9.Cx1	FJB	563200	male	A39.P101	Parcel_Rack_LH	563201	male
A9.Cx2	FJB	563201	male	A39.P901		563953	male
A10.X1	Engine_Cmpt_	563135	male	A40		562706	female
A10.X3	Engine_Cmpt_	563134	female	A40.A	Parcel_Rack_LH	563071	male
A11	Left_Hand_Console	563142	male	A40.C	Parcel_Rack_LH	563070	male
A12	Dash	562464	male	A41.J1	FJB	562767	male
A13.J1	FJB	562794	male	A41.J2	FJB	563132	male
A13.J2	FJB	562650	male	A41.J3	FJB	562957	male
A14.CX	Dash	562957	male	A42.J1	FJB	562767	male
A14.CY	Dash	562765	male	A42.J2	FJB	563132	male
A14.LX	Dash	562766	male	A42.J3	FJB	562957	male
A14.LY	Dash	562767	male	A43.J1	FJB	562767	male
A14.RX	Dash	562767	male	A43.J2	FJB	563132	male
A15	Dash	562464	male	A43.J3	FJB	562957	male
A16	Front_Roof	561637	male	A44.J1	FJB	563133	male
A18.J1	FJB	562794	male	A44.J2	FJB	563132	male
A18.J2	FJB	562650	male	A44.J3	FJB	562957	male
A19	Left_Hand_Console	562878	female	A45.J1	FJB	563133	male
A20	Parcel_Rack_LH	561477	female	A45.J2	FJB	563132	male
A21	Rear_Axle_Cmpt_	kostalF	female	A45.J3	FJB	562957	male
A22	Left_Hand_Console	563338	male	A46.J1	FJB	563133	male
A23		563053	male	A46.J2	FJB	563132	male
A24	Right_Hand_Console	561889	female	A46.J3	FJB	562957	male
A24.A	Right_Hand_Console	561890	male	A47.J1	Right_Hand_Console	563133	male
A24.B	Right_Hand_Console	561566	female	A47.J2	Right_Hand_Console	563132	male
A25	Parcel_Rack_LH	563025	male	A47.J3	Right_Hand_Console	562957	male
A27	Service_Cmpt_	562929	male	A48.J1	Right_Hand_Console	563133	male
A28	Service_Cmpt_	562928	male	A48.J2	Right_Hand_Console	563132	male
A29	Dash	562465	male	A48.J3	Right_Hand_Console	562957	male
A30		563226	male	A49.J1	RJB	562767	male
A31.A		561782	male	A49.J2	RJB	563132	male

# CONNECTORS LIST

No	Location	Part #	Gender	No	Location	Part #	Gender
A49.J3	RJB	562957	male	A69	Parcel_Rack_LH	563071	male
A50.J1	RJB	563133	male	A69.B		561716	female
A50.J2	RJB	563132	male	A69.C		561716	female
A50.J3	RJB	562957	male	A69.D		561716	female
A51.J1	RJB	563133	male	A69.E		561716	female
A51.J2	RJB	563132	male	A69.F		561716	female
A51.J3	RJB	562957	male	A69.G		561716	female
A52.J1	RJB	563133	male	A69.H		561716	female
A52.J2	RJB	563132	male	A70	Parcel_Rack_LH	563696	male
A52.J3	RJB	562957	male	A71.A	Parcel_Rack_LH	562464	male
A53.J1	RJB	563133	male	A71.B		562706	female
A53.J2	RJB	563132	male	A71.C	Parcel_Rack_LH	562706	female
A53.J3	RJB	562957	male	A71.D	Parcel_Rack_LH	562706	female
A54.J1	Evap_Cmpt_	563133	male	A72.A		563960	male
A54.J2	Evap_Cmpt_	563132	male	A72.B		563962	male
A54.J3	Evap_Cmpt_	562957	male	A72.C		564009	male
A60		562706	female	A72.D		563961	male
A60.A	Parcel_Rack_LH	562464	male	A75.A	Parcel Rack LH	563960	female
A60.C	Parcel_Rack_LH	562706	female	A75.b	Parcel Rack LH	563962	female
A60.D	Parcel_Rack_LH	562706	female	A76	Parcel Rack LH	561668	female
A61.A	Parcel_Rack_LH	562464	male	A77	Parcel Rack LH	565863	male
A61.B	Parcel_Rack_LH	562465	male	A78.A	Dash	562503	Male
A63.A	Dash	563960	male	A78.B	Dash	562507	female
A63.B	Dash	563962	male	A78.C	Dash	561668	male
A63.C		564009	MALE	Alt1.A		560815	female
A63.D	Dash	563961	male	Alt1.C		562862	female
A64	Parcel_Rack_LH	563954	male	Alt2.A		560815	female
A65	Parcel_Rack_LH	562465	male	Alt2.C		562862	female
A66	Parcel_Rack_LH	561183	male	BOOM		560999	male
A67.Vsa		563948	male	C1	Service_Cmpt_	563589	male
A67.Vsb		563950	male	C1	Service_Cmpt_	563590	female
A67.Vsc		563947	male	C1S	Service_Cmpt_	563589	male
A67.Vsd		563949	male	C1S	Service_Cmpt_	563590	female
A67.Vse		563951	male	C2		563580	male
A68.A	Parcel_Rack_LH	563960	male	C2		563581	female
A68.B	Parcel_Rack_LH	563962	male	C3	RJB	563589	male
A68.C		564009	MALE	C3	RJB	563590	female
A68.C		564009	MALE	C3S		563589	male
A68.C		564009	male	C3S		563590	female
A68.D	Parcel_Rack_LH	563961	male	C4	Service_Cmpt_	563580	male

# CONNECTORS LIST

No	Location	Part #	Gender	No	Location	Part #	Gender
C4	Service_Cmpt_	563581	female	C31		561735	female
C5	Service_Cmpt_	563589	male	C32	5th_Lugg_Cmpt_	561550	male
C5	Service_Cmpt_	563590	female	C32	5th_Lugg_Cmpt_	561667	female
C5S	Service_Cmpt_	563589	male	C33	RHFrontRoof	561550	male
C5S	Service_Cmpt_	563590	female	C33	RHFrontRoof	561667	female
C6	Service_Cmpt_	563582	male	C34	Right_Hand_Console	561986	male
C6	Service_Cmpt_	563583	female	C34	Right_Hand_Console	561987	female
C9	Evap_Cmpt_	561986	male	C35	RJB	562283	male
C9	Evap_Cmpt_	561987	female	C35	RJB	562280	female
C11	Service_Cmpt_	563580	male	C36		561986	male
C11	Service_Cmpt_	563581	female	C36		561987	female
C13S	Right_Hand_Console	563589	male	C37	Parcel_Rack_LH	562557	male
C13S	Right_Hand_Console	563590	female	C37	Parcel_Rack_LH	562558	female
C14	Evap_Cmpt_	561986	male	C38	Parcel_Rack_RH	562555	male
C14	Evap_Cmpt_	561987	female	C38	Parcel_Rack_RH	562556	female
C15		561643	male	C39	Right_Modesty_Panel	562503	male
C15		561642	female	C39	Right_Modesty_Panel	562507	female
C16	RJB	561577	male	C40	Dash	562485	male
C16	RJB	561605	female	C40	Dash	562486	female
C17	RJB	561986	male	C41	RJB	561690	male
C17	RJB	561987	female	C41	RJB	561566	female
C18	FJB	561986	male	C43	Lavatory	561661	female
C18	FJB	561987	female	C43	Lavatory	561662	male
C19	RJB	561986	male	C44_plug	FJB	561577	male
C19	RJB	561987	female	C44_socket	FJB	561605	female
C21A	RJB	561646	male	C45	FJB	561643	male
C21A	RJB	561645	female	C45	FJB	561642	female
C21B	RJB	561646	male	C46	FJB	561577	male
C21B	RJB	561645	female	C46	FJB	561605	female
C22	RJB	561847	male	C47		561247	male
C22	RJB	561862	female	C47		561248	female
C23	5thLugg.Cmpt	561847	male	C48	Service_Cmpt_	561690	male
C23	5thLugg.Cmpt	561862	female	C48	Service_Cmpt_	561566	female
C24_plug	Evap_Cmpt_	561690	male	C51		562477	male
C24_socket	Evap_Cmpt_	561566	female	C51		562479	female
C29	5th_Lugg_Cmpt_	563651	male	C53		561539	male
C29	5th_Lugg_Cmpt_	563652	female	C53		561540	female
C30	5th_Lugg_Cmpt_	561710	male	C55	Evap_Cmpt_	561577	male
C30	5th_Lugg_Cmpt_	561709	female	C55	Evap_Cmpt_	561605	female
C31		561734	male	C66		561577	male

# CONNECTORS LIST

No	Location	Part #	Gender	No	Location	Part #	Gender
C66		561605	female	C120	EngineDoor	561606	female
C67		561247	male	C121	EngineDoor	561690	male
C67		561248	female	C121	EngineDoor	561566	female
C69	RrAxleInsidePVC	561607	male	C122		561690	male
C69	RrAxleInsidePVC	561606	female	C122		561566	female
C71	Service_Cmpt_	561646	male	C123		561690	male
C71	Service_Cmpt_	561645	female	C123		561566	female
C72		561646	male	C124		561577	male
C72		561645	female	C124		561605	female
C74		561645	female	C125	Service_Cmpt_	562503	male
C74		561646	male	C125	Service_Cmpt_	562507	female
C78		561690	male	C126		562581	male
C78		561566	female	C126		562583	female
C82		562581	male	C127		563412	male
C82		562583	female	C127		563413	female
C87	Lavatory	561637	male	C128		563412	male
C87	Lavatory	561636	female	C128		563413	female
C91		562285	male	C129		563412	male
C91		562282	female	C129		563413	female
C92	FJB	561640	male	C130		563412	male
C92	FJB	561639	female	C130		563413	female
C96	FrAxleAccessories	561583	male	C131		563412	male
C96	FrAxleAccessories	561585	female	C131		563413	female
C97	RrAxleAcclInsidePVC	561607	male	C132		563412	male
C97	RrAxleAcclInsidePVC	561606	female	C132		563413	female
C100	5th_Lugg_Cmpt_	563589	male	C133		563412	male
C100	5th_Lugg_Cmpt_	563590	female	C133		563413	female
C100S	5th_Lugg_Cmpt_	563589	male	C134		563412	male
C100S	5th_Lugg_Cmpt_	563590	female	C134		563413	female
C101	Service_Cmpt_	561690	male	C141		561247	male
C101	Service_Cmpt_	561566	female	C141		561248	female
C102		561690	male	C144	UnderLHSeat	560852	male
C102		561566	female	C144	UnderLHSeat	560851	female
C103		562485	male	C150		561515	male
C103		562486	female	C150		561552	female
C105		562581	male	C152	CondensorCmpt.	561611	male
C105		562583	female	C152	CondensorCmpt.	561610	female
C119	EngineDoor	561607	male	C155		561626	female
C119	EngineDoor	561606	female	C155		561904	female
C120	EngineDoor	561607	male	C168	Above_Rear_Axle	561690	male



# CONNECTORS LIST

No	Location	Part #	Gender	No	Location	Part #	Gender
C168	Above_Rear_Axle	561566	female	C284-2	Over_Head_Driver_Area	561781	female
C171	Service_Cmpt_	561646	male	C284-3	Over_Head_Driver_Area	561782	male
C171	Service_Cmpt_	561645	female	C284-3	Over_Head_Driver_Area	561781	female
C183	Service_Cmpt_	561611	male	C284-4	Over_Head_Driver_Area	561782	male
C183	Service_Cmpt_	561610	female	C284-4	Over_Head_Driver_Area	561781	female
C193		563589	male	C284-5	Over_Head_Driver_Area	561782	male
C193		563590	female	C284-5	Over_Head_Driver_Area	561781	female
C194		563589	male	C298	Parcel_Rack_LH_1st_Cmpt_	561782	male
C194		563590	female	C298	Parcel_Rack_LH_1st_Cmpt_	561781	female
C206	Over_Head_Driver_Area	562503	male	C380	Dash	563180	male
C206	Over_Head_Driver_Area	562507	female	C380	Dash	563347	female
C209	Parcel_Rack_RH_Midway	562503	male	C381		561847	male
C209	Parcel_Rack_RH_Midway	562507	female	C381		561862	female
C211	Over_Head_Entrance_Door	562503	male	C382	Driver_Area	561580	male
C211	Over_Head_Entrance_Door	562507	female	C382	Driver_Area	561582	female
C212	WCL_Door	561515	male	C394	FJB	560852	male
C212	WCL_Door	561552	female	C394	FJB	560851	female
C230	Engine_Cmpt_	562485	male	C397	RJB	562285	male
C230	Engine_Cmpt_	562486	female	C397	RJB	562282	female
C239	Service_Cmpt_	561690	male	C398	Over_Head_Driver_Area	561662	male
C239	Service_Cmpt_	561566	female	C398	Over_Head_Driver_Area	561661	female
C240	Service_Cmpt_	561607	male	C403		561247	male
C240	Service_Cmpt_	561606	female	C403		561248	female
C242	Service_Cmpt_	562789	male	C404		561247	male
C242	Service_Cmpt_	565131	female	C404		561248	female
C243	Service_Cmpt_	562789	male	C405		561247	male
C243	Service_Cmpt_	565131	female	C405		561248	female
C246	Service_Cmpt_	563090	male	C426	EngineCmpt	561782	male
C246	Service_Cmpt_	563091	female	C426	EngineCmpt	561781	female
C260	Service_Cmpt_	561607	male	C430	LHConsole	562363	male
C260	Service_Cmpt_	561606	female	C430	LHConsole	561188	female
C269	RHConsole	563090	male	C452	Dash	562549	male
C269	RHConsole	563091	female	C452	Dash	562550	female
C279	Service_Cmpt_	562477	male	C463	Engine_Cmpt_	562570	female
C279	Service_Cmpt_	562479	female	C463	Engine_Cmpt_	562571	male
C284	Over_Head_Driver_Area	561782	male	C464	RJB	563180	male
C284	Over_Head_Driver_Area	561781	female	C464	RJB	563347	female
C284-1	Over_Head_Driver_Area	561782	male	C465	Spare_Tire_Cmpt	562581	male
C284-1	Over_Head_Driver_Area	561781	female	C465	Spare_Tire_Cmpt	562583	female
C284-2	Over_Head_Driver_Area	561782	male	C506	FJB	561687	male

# CONNECTORS LIST

No	Location	Part #	Gender	No	Location	Part #	Gender
C506	FJB	561685	female	C614	Left_Seat_Row	563071	male
C542	Parcel_Rack_LH_1st_Cmpt_	561550	male	C614	Left_Seat_Row	563040	female
C542	Parcel_Rack_LH_1st_Cmpt_	561667	female	C615	Left_Seat_Row	563071	male
C558	Dash	562503	male	C615	Left_Seat_Row	563040	female
C558	Dash	562507	female	C717		561646	male
C564	Left_Modesty_Panel	562503	male	C717		561645	female
C564	Left_Modesty_Panel	562507	female	C720	Rear_Axle_Cmpt_	563358	male
C564-Sp	Left_Hand_Console	562503	male	C720	Rear_Axle_Cmpt_	563359	female
C564-Sp	Left_Hand_Console	562507	female	C721	RJB	561515	male
C566	Left_Hand_Console	562503	male	C721	RJB	561552	female
C566	Left_Hand_Console	562507	female	C723	Rear_Axle_Cmpt_	562877	female
C567	Left_Hand_Console	562503	male	C723	Rear_Axle_Cmpt_	562884	female
C567	Left_Hand_Console	562507	female	C750	Parcel_Rack_LH_1st_Cmpt_	562707	male
C575	RrSectionRHHatRack	562503	male	C750	Parcel_Rack_LH_1st_Cmpt_	562706	female
C575	RrSectionRHHatRack	562507	female	C751	Parcel_Rack_LH_1st_Cmpt_	562707	male
C576	RrSectionRHHatRack	561550	male	C751	Parcel_Rack_LH_1st_Cmpt_	562706	female
C576	RrSectionRHHatRack	561667	female	C752	Parcel_Rack_LH_1st_Cmpt_	562707	male
C577	RrSectionLHHatRack	561550	male	C752	Parcel_Rack_LH_1st_Cmpt_	562706	female
C577	RrSectionLHHatRack	561667	female	C753	Parcel_Rack_LH_1st_Cmpt_	562707	male
C578	RrSectionLHHatRack	562503	male	C753	Parcel_Rack_LH_1st_Cmpt_	562706	female
C578	RrSectionLHHatRack	562507	female	C754		562707	male
C581	UnderdashBoard	562777	male	C754		562706	female
C582	FJB	561690	female	C755	Parcel_Rack_LH_1st_Cmpt_	562707	male
C582	FJB	561566	female	C755	Parcel_Rack_LH_1st_Cmpt_	562706	female
C589	Service_Cmpt_	563088	male	C756		562707	male
C589	Service_Cmpt_	563089	female	C756		562706	female
C590	RHConsole	563088	male	C757		562707	male
C590	RHConsole	563089	female	C757		562706	female
C601	LHRoofWinAjar	561476	male	C758		562707	male
C601	LHRoofWinAjar	561477	female	C758		562706	female
C602		561476	male	C759		562707	male
C602		561477	female	C759		562706	female
C603	RHRoofWinAjar	561476	male	C760		562707	male
C603	RHRoofWinAjar	561477	female	C760		562706	female
C611	Parcel_Rack_RH	562557	male	C761	Parcel_Rack_LH_1st_Cmpt_	562707	male
C611	Parcel_Rack_RH	562558	female	C761	Parcel_Rack_LH_1st_Cmpt_	562706	female
C612_plug	Parcel_Rack_RH	562555	male	C762	Parcel_Rack_LH_1st_Cmpt_	562707	male
C612_socket	Parcel_Rack_RH	562556	female	C762	Parcel_Rack_LH_1st_Cmpt_	562706	female
C613_plug	Parcel_Rack_RH	561550	male	C763	Parcel_Rack_LH_1st_Cmpt_	562707	male
C613_socket	Parcel_Rack_RH	561667	female	C763	Parcel_Rack_LH_1st_Cmpt_	562706	female

# CONNECTORS LIST

No	Location	Part #	Gender	No	Location	Part #	Gender
C764	Parcel_Rack_LH_1st_Cmpt_	562707	male	L10.B	Parcel_Rack_LH	562759	male
C764	Parcel_Rack_LH_1st_Cmpt_	562706	female	L11.A	Parcel_Rack_LH	562758	male
C765	Parcel_Rack_LH_1st_Cmpt_	562707	male	L11.B	Parcel_Rack_LH	562759	male
C765	Parcel_Rack_LH_1st_Cmpt_	562706	female	L12.A	Parcel_Rack_LH	562758	male
CSX1	Engine_Cmpt_	563135	male	L12.B	Parcel_Rack_LH	562759	male
CSX1	Engine_Cmpt_	563134	female	L13.A	Parcel_Rack_LH	562758	male
CSX3	Engine_Cmpt_	563135	male	L13.B	Parcel_Rack_LH	562759	male
CSX3	Engine_Cmpt_	563134	female	L14.A	Parcel_Rack_LH	562758	male
CT2		563226	male	L14.B	Parcel_Rack_LH	562759	male
CT2		563613	female	L15.A	Parcel_Rack_LH	562758	male
CT3		563224	male	L15.B	Parcel_Rack_LH	562759	male
Ctest		560815	female	L16	Front_Roof	562803	male
Drspk_Left.A		562651	female	L17	Front_Roof	562803	male
Drspk_Left.B		562290	female	L18		562486	female
Drspk_Right.A		562651	female	L19	Entrance_Door	562486	female
Drspk_Right.B		562290	female	L20	Entrance_Door	562486	female
FUSE_BOX_1.A		562610	male	L21.A	Front_Roof	561608	female
FUSE_BOX_1.B		562610	male	L21.B	Front_Roof	562286	male
FUSE_BOX_2.A		562610	male	L22.A	Front_Roof	561608	female
FUSE_BOX_2.B		562610	male	L22.B	Front_Roof	562286	male
JACK_1		560999	male	L23.A	Front_Roof	561608	female
L.H.CONSOLE		560999	male	L23.B	Front_Roof	562286	male
L.H.MODESTYPANEL		560999	male	L24.A	Front_Roof	561608	female
L1	Service_Cmpt_	562848	male	L24.B	Front_Roof	562286	male
L2	Front_Roof	561247	male	L25.A	Front_Roof	561608	female
L3.A	Parcel_Rack_RH	562758	male	L25.B	Front_Roof	562286	male
L3.B	Parcel_Rack_RH	562759	male	L26.A	Front_Roof	561608	female
L4.A	Parcel_Rack_RH	562758	male	L26.B	Front_Roof	562286	male
L4.B	Parcel_Rack_RH	562759	male	L27.A	Front_Roof	561608	female
L5.A	Parcel_Rack_RH	562758	male	L27.B	Front_Roof	562286	male
L5.B	Parcel_Rack_RH	562759	male	L28	Parcel_Rack_LH	560898	male
L6.A	Parcel_Rack_RH	562758	male	L29	Parcel_Rack_LH	560898	male
L6.B	Parcel_Rack_RH	562759	male	L30	Parcel_Rack_LH	560898	male
L7.A	Parcel_Rack_RH	562758	male	L31	Parcel_Rack_LH	560898	male
L7.B	Parcel_Rack_RH	562759	male	L32	Parcel_Rack_LH	560898	male
L8.A	Parcel_Rack_RH	562758	male	L33	Parcel_Rack_LH	560898	male
L8.B	Parcel_Rack_RH	562759	male	L34	Parcel_Rack_LH	560898	male
L9.A	Parcel_Rack_LH	562758	male	L35	Parcel_Rack_LH	560898	male
L9.B	Parcel_Rack_LH	562759	male	L36	Parcel_Rack_LH	560898	male
L10.A	Parcel_Rack_LH	562758	male	L37	Parcel_Rack_LH	560898	male

# CONNECTORS LIST

No	Location	Part #	Gender	No	Location	Part #	Gender
L38	Parcel_Rack_LH	560898	male	L76	Rear_Engine_Door	562155	male
L39	Parcel_Rack_LH	560898	male	L77	Rear_Engine_Door	562601	male
L40	Parcel_Rack_RH	560898	male	L78	Rear_Engine_Door	562601	male
L41	Parcel_Rack_RH	560898	male	L79	Rear_Engine_Door	562601	male
L42	Parcel_Rack_RH	560898	male	L80	Rear_Engine_Door	562601	male
L43	Parcel_Rack_RH	560898	male	L81.A	Rear_Engine_Door	562835	female
L44	Parcel_Rack_RH	560898	male	L81.B	Rear_Engine_Door	562834	male
L45	Parcel_Rack_RH	560898	male	L82	Rear_Engine_Door	562348	female
L46	Parcel_Rack_RH	560898	male	L83	Rear_Engine_Door	562348	female
L47	Parcel_Rack_RH	560898	male	L84.A	Rear_Roof	561608	female
L48	Parcel_Rack_RH	560898	male	L84.B	Rear_Roof	562286	male
L49	Parcel_Rack_RH	560898	male	L85.A	Rear_Roof	561608	female
L50	Parcel_Rack_RH	560898	male	L85.B	Rear_Roof	562286	male
L51	Parcel_Rack_RH	560898	male	L86.A	Rear_Roof	561608	female
L52	Driver_Area	560898	male	L86.B	Rear_Roof	562286	male
L53	Passenger_Area	560898	male	L87.A	Rear_Roof	561608	female
L54	Passenger_Area	560898	male	L87.B	Rear_Roof	562286	male
L55	Passenger_Area	560898	male	L88.A	Rear_Roof	561608	female
L56	Passenger_Area	560898	male	L88.B	Rear_Roof	562286	male
L57	Passenger_Area	560898	male	L89.A	Rear_Roof	561608	female
L58	Passenger_Area	560898	male	L89.B	Rear_Roof	562286	male
L59.A	Outside_Front_RH	562623	male	L90.A	Rear_Roof	561608	female
L59.B	Outside_Front_RH	562623	male	L90.B	Rear_Roof	562286	male
L60.A	Outside_Front_LH	562623	male	L91	Engine_Cmpt_	562755	male
L60.B	Outside_Front_LH	562623	male	L92	Engine_Cmpt_	562755	male
L61	Outside_Front_RH	562601	male	L93.A		563069	female
L62	Outside_Front_LH	562601	male	L93.B		563069	female
L63	Outside_Front_RH	562155	male	L94.A		563069	female
L64	Outside_Front_RH	562155	male	L94.B		563069	female
L65	Outside_Front_LH	562155	male	L95	Outside_Front_LH	562902	female
L66	Outside_Front_LH	562155	male	L96	Outside_Front_RH	562902	female
L67	3rd_Lugg_Cmpt_	562155	male	L97.A		563069	female
L68	3rd_Lugg_Cmpt_	562155	male	L97.B		563069	female
L69	3rd_Lugg_Cmpt_	562155	male	L98.A		563069	female
L70	3rd_Lugg_Cmpt_	562155	male	L98.B		563069	female
L71	Rear_Engine_Door	562601	male	L99	Parcel_Rack_LH	560898	male
L72	Rear_Vehicle	562155	male	L100	Parcel_Rack_LH	560898	male
L73	Rear_Vehicle	562601	male	L101	Parcel_Rack_LH	560898	male
L74	Rear_Vehicle	562155	male	L102	Parcel_Rack_LH	560898	male
L75	Rear_Vehicle	562155	male	L103	Parcel_Rack_LH	560898	male

# CONNECTORS LIST

No	Location	Part #	Gender	No	Location	Part #	Gender
L104	Parcel_Rack_LH	560898	male	L144.B	Parcel_Rack_LH	562505	female
L105	Parcel_Rack_LH	560898	male	L145.A	Parcel_Rack_LH	562756	male
L106	Parcel_Rack_LH	560898	male	L145.B	Parcel_Rack_LH	562505	female
L107	Parcel_Rack_LH	560898	male	L146.A	Parcel_Rack_LH	562756	male
L108	Parcel_Rack_LH	560898	male	L146.B	Parcel_Rack_LH	562505	female
L109	Parcel_Rack_LH	560898	male	L147.A	Parcel_Rack_LH	562756	male
L110	Parcel_Rack_LH	560898	male	L147.B	Parcel_Rack_LH	562505	female
L111	Parcel_Rack_LH	560898	male	L148.A	Parcel_Rack_LH	562756	male
L112	Parcel_Rack_LH	560898	male	L148.B		562505	female
L113	Parcel_Rack_RH	560898	male	L149.A	Parcel_Rack_LH	562756	male
L114	Parcel_Rack_RH	560898	male	L149.B	Parcel_Rack_LH	562505	female
L115	Parcel_Rack_RH	560898	male	L150.A	Parcel_Rack_LH	562756	male
L116	Parcel_Rack_RH	560898	male	L150.B	Parcel_Rack_LH	562505	female
L117	Parcel_Rack_RH	560898	male	L151.A	Parcel_Rack_LH	562756	male
L118	Parcel_Rack_RH	560898	male	L151.B	Parcel_Rack_LH	562505	female
L119	Parcel_Rack_RH	560898	male	L152.A	Parcel_Rack_LH	562756	male
L120	Parcel_Rack_RH	560898	male	L152.B	Parcel_Rack_LH	562505	female
L121	Parcel_Rack_RH	560898	male	L153.A	Parcel_Rack_LH	562756	male
L122	Parcel_Rack_RH	560898	male	L153.B	Parcel_Rack_LH	562505	female
L123	Parcel_Rack_RH	560898	male	L154.A	Parcel_Rack_LH	562756	male
L124	Parcel_Rack_RH	560898	male	L154.B	Parcel_Rack_LH	562505	female
L125	Parcel_Rack_RH	560898	male	L155.A	Parcel_Rack_LH	562756	male
L126	Parcel_Rack_RH	560898	male	L155.B	Parcel_Rack_LH	562505	female
L127	Parcel_Rack_RH	562758	male	L156.A	Parcel_Rack_LH	562756	male
L128	Parcel_Rack_RH	562758	male	L156.B	Parcel_Rack_LH	562505	female
L129	Parcel_Rack_RH	562758	male	L157.A	Parcel_Rack_LH	562756	male
L130	Parcel_Rack_RH	562758	male	L157.B	Parcel_Rack_LH	562505	female
L131	Parcel_Rack_RH	562758	male	L158.A	Parcel_Rack_LH	562756	male
L132	Parcel_Rack_RH	562758	male	L158.B	Parcel_Rack_LH	562505	female
L134	Parcel_Rack_LH	562758	male	L159.A	Parcel_Rack_RH	562756	male
L135	Parcel_Rack_LH	562758	male	L159.B		562505	female
L136	Parcel_Rack_LH	562758	male	L160.A	Parcel_Rack_RH	562756	male
L137	Parcel_Rack_LH	562758	male	L160.B	Parcel_Rack_RH	562505	female
L138	Parcel_Rack_LH	562758	male	L161.A	Parcel_Rack_RH	562756	male
L139	Parcel_Rack_LH	562758	male	L161.B	Parcel_Rack_RH	562505	female
L140	Lavatory	561247	male	L162.A	Parcel_Rack_RH	562756	male
L141	Lavatory	560898	male	L162.B	Parcel_Rack_RH	562505	female
L142	Lavatory	562803	male	L163.A	Parcel_Rack_RH	562756	male
L143	Front_Roof	561247	male	L163.B	Parcel_Rack_RH	562505	female
L144.A	Parcel_Rack_LH	562756	male	L164.A	Parcel_Rack_RH	562756	male

# CONNECTORS LIST

No	Location	Part #	Gender	No	Location	Part #	Gender
L164.B	Parcel_Rack_RH	562505	female	L195.B	Dash	560488	female
L165.A	Parcel_Rack_RH	562756	male	L199	Engine_Cmpt_	562471	male
L165.B	Parcel_Rack_RH	562505	female	L200	Engine_Cmpt_	562471	male
L166.A	Parcel_Rack_RH	562756	male	L201	Front_Roof	561247	male
L166.B	Parcel_Rack_RH	562505	female	L202	Front_Roof	561247	male
L167.A	Parcel_Rack_RH	562756	male	L203		561690	male
L167.B	Parcel_Rack_RH	562505	female	L205	Evap_Cmpt_	562485	male
L168.A	Parcel_Rack_RH	562756	male	L206	Parcel_Rack_RH	562803	male
L168.B	Parcel_Rack_RH	562505	female	L207.A	5th_Lugg_Cmpt_	561699	female
L169.A	Parcel_Rack_RH	562756	male	L207.B	5th_Lugg_Cmpt_	561699	female
L169.B	Parcel_Rack_RH	562505	female	L207.C	5th_Lugg_Cmpt_	561701	female
L170.A	Parcel_Rack_RH	562756	male	L207.D	5th_Lugg_Cmpt_	561699	female
L170.B	Parcel_Rack_RH	562505	female	L207.E	5th_Lugg_Cmpt_	561701	female
L171.A	Parcel_Rack_RH	562756	male	L207.F	5th_Lugg_Cmpt_	561699	female
L171.B	Parcel_Rack_RH	562505	female	L207.G	5th_Lugg_Cmpt_	561699	female
L172	Parcel_Rack_RH	562756	male	L207.H	5th_Lugg_Cmpt_	560926	female
L172.B	Parcel_Rack_RH	562505	female	L207.I	5th_Lugg_Cmpt_	560926	female
L173	Engine_Cmpt_	563268	male	L208	Outside_Front_LH	563088	male
L174	Engine_Cmpt_	563268	male	L209	Outside_Front_RH	563088	male
L175	RJB	561247	male	L211	Entrance_Door	562486	female
L176	5th_Lugg_Cmpt_	561247	male	L213.A	Parcel_Rack_RH	561248	female
L177	5th_Lugg_Cmpt_	561247	male	L213.B	Parcel_Rack_RH	561248	female
L178	3rd_Lugg_Cmpt_	561247	male	L214.A	Parcel_Rack_RH	561248	female
L179	3rd_Lugg_Cmpt_	561247	male	L214.B	Parcel_Rack_RH	561248	female
L180	2nd_Lugg_Cmpt_	561247	male	L215.A	Parcel_Rack_RH	561248	female
L181	2nd_Lugg_Cmpt_	561247	male	L215.B	Parcel_Rack_RH	561248	female
L182	1st_Lugg_Cmpt_	561247	male	L216.A	Parcel_Rack_RH	561248	female
L183	1st_Lugg_Cmpt_	561247	male	L216.B	Parcel_Rack_RH	561248	female
L184	Service_Cmpt_	561247	male	L217.A	Parcel_Rack_RH	561248	female
L187	Engine_Cmpt_	561690	male	L217.B	Parcel_Rack_RH	561248	female
L188	Service_Cmpt_	562486	female	L218.A	Parcel_Rack_RH	561248	female
L189	Outside_Front_RH	562069	male	L218.B	Parcel_Rack_RH	561248	female
L190	Outside_Front_LH	562069	male	L219.A	Parcel_Rack_LH	561248	female
L191	Parcel_Rack_LH	561550	male	L219.B	Parcel_Rack_LH	561248	female
L192	Parcel_Rack_LH	560898	male	L220.A	Parcel_Rack_LH	561248	female
L193.A	Dash	560488	female	L220.B	Parcel_Rack_LH	561248	female
L193.B	Dash	560488	female	L221.A	Parcel_Rack_LH	561248	female
L194.A	Left_Hand_Console	562019	female	L221.B	Parcel_Rack_LH	561248	female
L194.B	Left_Hand_Console	560488	female	L222.A	Parcel_Rack_LH	561248	female
L195.A	Dash	560488	female	L222.B	Parcel_Rack_LH	561248	female

# CONNECTORS LIST

No	Location	Part #	Gender	No	Location	Part #	Gender
L223.A	Parcel_Rack_LH	561248	female	L248.A	Parcel_Rack_RH	562756	male
L223.B	Parcel_Rack_LH	561248	female	L248.B		562505	female
L224.A	Parcel_Rack_LH	561248	female	L249.A		562756	male
L224.B	Parcel_Rack_LH	561248	female	L249.B		562505	female
L225.A	Parcel_Rack_LH	561248	female	L250.A		562756	male
L225.B	Parcel_Rack_LH	561248	female	L250.B		562505	female
L226	Parcel_Rack_RH	562758	male	L251.A		562756	male
L227	Parcel_Rack_RH	562758	male	L251.B		562505	female
L228	Parcel_Rack_RH	562758	male	L252.A		562756	male
L229	Parcel_Rack_RH	562758	male	L252.B		562505	female
L230	Parcel_Rack_RH	562758	male	L253.A		562756	male
L231	Parcel_Rack_RH	562758	male	L253.B		562505	female
L232.A	Parcel_Rack_RH	562758	male	L254.A		562756	male
L232.B	Parcel_Rack_RH	562759	male	L254.B		562505	female
L233.A	Parcel_Rack_RH	562758	male	L255.A		562756	male
L233.B	Parcel_Rack_RH	562759	male	L255.B		562505	female
L234.A	Parcel_Rack_RH	562758	male	L256.A		562756	male
L234.B	Parcel_Rack_RH	562759	male	L256.B		562505	female
L235.A	Parcel_Rack_RH	562758	male	L257.A		562756	male
L235.B	Parcel_Rack_RH	562759	male	L257.B		562505	female
L236.A	Parcel_Rack_RH	562758	male	L258	Parcel_Rack_RH	560898	male
L236.B	Parcel_Rack_RH	562759	male	L259	Parcel_Rack_RH	560898	male
L238.A	Parcel_Rack_RH	561248	female	L260	Parcel_Rack_RH	560898	male
L238.B	Parcel_Rack_RH	561248	female	L261	Parcel_Rack_RH	560898	male
L239.A	Parcel_Rack_RH	561248	female	L262	Parcel_Rack_RH	560898	male
L239.B	Parcel_Rack_RH	561248	female	L263	Parcel_Rack_RH	560898	male
L240.A	Parcel_Rack_RH	561248	female	L264	Parcel_Rack_RH	560898	male
L240.B	Parcel_Rack_RH	561248	female	L266	Parcel_Rack_RH	560898	male
L241.A	Parcel_Rack_RH	561248	female	L267	Parcel_Rack_RH	560898	male
L241.B	Parcel_Rack_RH	561248	female	L268	Parcel_Rack_RH	560898	male
L242.A	Parcel_Rack_RH	561248	female	L269	Parcel_Rack_RH	560898	male
L242.B	Parcel_Rack_RH	561248	female	L270	Parcel_Rack_RH	560898	male
L244.A	Parcel_Rack_RH	562756	male	L271	Parcel_Rack_RH	560898	male
L244.B		562505	female	L272	Parcel_Rack_RH	560898	male
L245.A	Parcel_Rack_RH	562756	male	L273	Parcel_Rack_RH	560898	male
L245.B		562505	female	L274	Parcel_Rack_RH	560898	male
L246.A	Parcel_Rack_RH	562756	male	L275	Parcel_Rack_RH	560898	male
L246.B		562505	female	L276	Parcel_Rack_RH	560898	male
L247.A	Parcel_Rack_RH	562756	male	L277	Parcel_Rack_RH	560898	male
L247.B		562505	female	L278	Parcel_Rack_RH	560898	male

# CONNECTORS LIST

No	Location	Part #	Gender	No	Location	Part #	Gender
L279	Parcel_Rack_RH	560898	male	R-12VISS	Parcel_Rack_LH	561183	male
L280	Parcel_Rack_RH	560898	male	R.H.CONSOLE		560999	male
L281	Parcel_Rack_RH	560898	male	R.H.MODESTYPANEL		560999	male
L282	Rear_Axle_Cmpt_	561690	male	R2	RJB	561183	male
L285		562251	male	R3	RJB	563409	male
L293.A		560081	female	R4		561183	male
L293.B		560081	female	R5	RJB	561183	male
L294.A		560081	female	R6	RJB	561183	male
L294.B		560081	female	R8	RJB	561183	male
L295		562251	male	R9	Evap_Cmpt_	563409	male
Mo1	Engine_Cmpt_	561690	female	R10	Evap_Cmpt_	563409	male
Mo2	Engine_Cmpt_	561782	male	R11	RJB	561183	male
Mo3	Dash	561667	female	R12	Evap_Cmpt_	563409	male
Mo4	Dash	562076	male	R13	RJB	561183	male
Mo5	Front_Roof	561550	female	R14	RJB	562367	male
Mo6	Service_Cmpt_	561690	male	R15	RJB	561183	male
Mo7.A		560102	female	R16	Dash	561183	male
Mo7.B		560102	female	R17	RJB	562367	male
Mo10	Parcel_Rack_LH	561515	male	R18	FJB	562367	male
Mo11	Parcel_Rack_RH	561515	male	R19	FJB	562367	male
Mo12	Evap_Cmpt_	561690	male	R20	Evap_Cmpt_	561183	male
Mo13	Engine_Cmpt_	561690	female	R23	Right_Hand_Console	561183	male
Mo14	Parcel_Rack_RH	561566	female	R24	FJB	561183	male
Mo15	Front_Roof	560900	female	R25	RJB	561183	male
Mo16	Front_Roof	560900	female	R26	Cond_Cmpt_	561183	male
Mo17		563626	male	R35		561183	male
Mo18		562474	male	R36		561183	male
Mo19		562474	male	R37		561183	male
Mo20		562474	male	R_AMPLI	Parcel_Rack_LH	562367	male
Mo21	Front_Roof	561186	male	R_Tv	Parcel_Rack_LH	561183	male
Mo22	Right_Hand_Console	561186	male	Res3		563590	female
Mo24	Right_Hand_Console	562348	female	Res4		563590	female
Mo25	Right_Hand_Console	562348	female	Res5	Dash	563590	female
Mo54		562474	male	Res6		563590	female
P36.A	Engine_Cmpt_	561701	female	Res7	FJB	563590	female
P36.B	Engine_Cmpt_	561701	female	Res12	Engine_Cmpt_	563590	female
P36.C	Engine_Cmpt_	561701	female	Res15	RJB	561782	male
Pot1.A	Dash	560488	female	Se1	Engine_Cmpt_	562486	female
Pot1.B	Dash	560488	female	Se2	Engine_Cmpt_	562486	female
Pot1.C	Dash	560488	female	Se3	RJB	562486	female



# CONNECTORS LIST

No	Location	Part #	Gender	No	Location	Part #	Gender
Se4	Window_RH	561477	female	Se37		641132	female
Se5	Window_RH	561477	female	Se38		641132	female
Se6	Window_RH	561477	female	Se39		641132	female
Se7	Window_LH	561477	female	Se40		641132	female
Se8	Window_LH	561477	female	Se41	Engine_Cmpt_	562486	female
Se9	Window_LH	561477	female	Se43		563340	male
Se10	Window_LH	561477	female	Se44.A		560082	female
Se11.A	Cond_Cmpt_	560082	male	Se44.B		560082	female
Se11.B	Cond_Cmpt_	560082	male	Se45		563409	male
Se11.C	Cond_Cmpt_	560082	male	Se46		562348	female
Se12	Engine_Cmpt_	561690	female	Se60		563409	male
Se13	Engine_Cmpt_	562350	male	So1	Engine_Cmpt_	561566	female
Se14.A	Driver_Area	561782	male	So3		641385	male
Se14.B	Driver_Area	561781	female	So4		641385	male
Se15	Right_Hand_Console	560898	male	So5		641385	male
Se16	Entrance_Door	562348	female	So6		641385	male
Se17	Entrance_Door	560081	female	So7	Service_Cmpt_	561566	male
Se18.A	Service_Cmpt_	560815	female	So8	Service_Cmpt_	563204	female
Se18.B	Service_Cmpt_	560815	female	So9	Engine_Cmpt_	561566	female
Se19.A	Service_Cmpt_	560082	female	So10	Cond_Cmpt_	562485	male
Se19.B	Service_Cmpt_	560082	female	So11	Cond_Cmpt_	561566	female
Se19.C	Service_Cmpt_	560082	female	So12	Evap_Cmpt_	561566	female
Se19.D	Service_Cmpt_	560082	female	So13	Evap_Cmpt_	563204	female
Se20	Evap_Cmpt_	562426	male	So14		641385	male
Se21	Dash	561248	female	So15		641385	male
Se22	Engine_Cmpt_	563404	female	So16		641385	male
Se23	Engine_Cmpt_	563159	male	So17		641385	male
Se24	Engine_Cmpt_	563159	male	So18		641385	male
Se25	Passenger_Area	561248	female	So19		641385	male
Se26	Service_Cmpt_	561690	female	So20		641385	male
Se27	Front_Axle_Cmpt_	561111	female	So21	Front_Axle_Cmpt_	561098	male
Se28		561690	male	So22	Front_Axle_Cmpt_	561098	male
Se29		561566	female	So23	Rear_Axle_Cmpt_	561098	male
Se30	Engine_Cmpt_	561690	female	So24	Rear_Axle_Cmpt_	561098	male
Se31	Engine_Cmpt_	561690	female	So25		641949	male
Se32	Engine_Cmpt_	563057	male	So26		641385	male
Se33	Engine_Cmpt_	562856	male	So27		641385	male
Se34	Engine_Cmpt_	563057	male	Spk1_L		563994	male
Se35	Engine_Cmpt_	563057	male	Spk1_R		563994	male
Se36		563629	female	Spk2_L		563994	male

# CONNECTORS LIST

No	Location	Part #	Gender	No	Location	Part #	Gender
Spk2_R		563994	male	Sw5	Dash	562763	male
Spk3_L		563994	male	Sw6		562763	male
Spk3_R		563994	male	Sw7.A	Cond_Cmpt_	562403	female
Spk4_L		563994	male	Sw7.B	Cond_Cmpt_	562403	female
Spk4_R		563994	male	Sw8	Dash	562763	male
Spk5_L		563994	male	Sw9	Dash	562763	male
Spk5_R		563994	male	Sw10	Dash	562763	male
Spk6_L		563994	male	Sw11	Dash	562763	male
Spk6_R		563994	male	Sw12		562763	male
Spk7_L		563994	male	Sw13	Dash	562763	male
Spk7_R		563994	male	Sw14	Dash	562763	male
Spk8_L		563994	male	Sw15	Dash	562763	male
Spk8_R		563994	male	Sw16	Dash	562763	male
Spk9_L		563994	male	Sw17	Dash	562763	male
Spk9_R		563994	male	Sw18	Dash	562763	male
Spk10_L		563994	male	Sw20	Dash	562763	male
Spk10_R		563994	male	Sw21	Dash	562763	male
Spk11_L		563994	male	Sw22	Dash	562763	male
Spk11_R		563994	male	Sw23	Dash	562763	male
Spk12_L		563994	male	Sw24	Dash	562763	male
Spk12_R		563994	male	Sw25	Dash	562763	male
Spk13_L		563994	male	Sw26	Dash	562763	male
Spk13_R		563994	male	Sw27	Dash	562763	male
Spk14_L		563994	male	Sw28	Left_Hand_Console	562763	male
Spk14_R		563994	male	Sw29	Dash	562763	male
Spk15_L		563994	male	Sw30		561566	female
Spk15_R		563994	male	Sw31	WCL_Door	563543	male
Spk16_L		563994	male	Sw32	Dash	561477	female
Spk16_R		563994	male	Sw33	Dash	561476	male
SpkDr_L.A		562651	female	Sw34	Outside_Front_RH	562477	male
SpkDr_L.B		562290	female	Sw35	Dash	562763	male
SpkDr_R.A		562651	female	Sw36	Left_Hand_Console	562763	male
SpkDr_R.B		562290	female	Sw37	Left_Hand_Console	562763	male
Sub1		564004	female	Sw38	Left_Hand_Console	562763	male
Sub2		564004	female	Sw39.A		562403	female
Sw1.C258		561188	female	Sw39.B		562403	female
Sw1.C259		561186	male	Sw40	Left_Hand_Console	561690	male
Sw2	Dash	562763	male	Sw41	Left_Hand_Console	562749	male
Sw3	Dash	562763	male	Sw42	5th_Lugg_Cmpt_	561635	female
Sw4	Dash	562763	male	Sw43	Service_Cmpt_	561690	male

# CONNECTORS LIST

No	Location	Part #	Gender	No	Location	Part #	Gender
Sw44.A		562403	female	Sw74	Parcel_Rack_RH	562651	female
Sw44.B		562403	female	Sw75	Parcel_Rack_RH	562651	female
Sw45.A	5th_Lugg_Cmpt_	562403	female	Sw76	Parcel_Rack_RH	562651	female
Sw45.B	5th_Lugg_Cmpt_	562403	female	Sw77	Parcel_Rack_RH	562651	female
Sw46.A	5th_Lugg_Cmpt_	562403	female	Sw78	Parcel_Rack_RH	562651	female
Sw46.B	5th_Lugg_Cmpt_	562403	female	Sw79	Parcel_Rack_RH	562651	female
Sw47.A	3rd_Lugg_Cmpt_	562403	female	Sw80	Parcel_Rack_RH	562651	female
Sw47.B	3rd_Lugg_Cmpt_	562403	female	Sw81.A	Dash	562905	male
Sw48.A	3rd_Lugg_Cmpt_	562403	female	Sw81.B	Dash	562905	male
Sw48.B	3rd_Lugg_Cmpt_	562403	female	Sw82.A	RJB	561457	female
Sw49.A	2nd_Lugg_Cmpt_	562403	female	Sw82.B	RJB	561457	female
Sw49.B	2nd_Lugg_Cmpt_	562403	female	Sw82.C	RJB	561457	female
Sw50.A	2nd_Lugg_Cmpt_	562403	female	Sw82.D	RJB	561457	female
Sw50.B	2nd_Lugg_Cmpt_	562403	female	Sw83.A	Dash	560082	female
Sw51.A	1st_Lugg_Cmpt_	562403	female	Sw83.B	Dash	560815	female
Sw51.B	1st_Lugg_Cmpt_	562403	female	Sw83.C	Dash	560082	female
Sw52	1st_Lugg_Cmpt_	562403	female	Sw83.D	Dash	560815	female
Sw52.B	1st_Lugg_Cmpt_	562403	female	Sw84.A	Service_Cmpt_	562477	male
Sw53	Parcel_Rack_LH	562651	female	Sw84.B	Service_Cmpt_	560488	female
Sw54.A	Lavatory	562835	female	Sw85	Left_Hand_Console	562749	male
Sw54.B	Lavatory	562834	male	Sw86	Parcel_Rack_RH	562651	female
Sw55.A	Lavatory	560488	female	Sw87	Parcel_Rack_RH	562651	female
Sw55.B	Lavatory	560488	female	Sw88	Parcel_Rack_RH	562651	female
Sw56.A	Lavatory	560488	female	Sw89	Parcel_Rack_RH	562651	female
Sw56.B	Lavatory	560488	female	Sw90	Parcel_Rack_RH	562651	female
Sw57	WCL_Door	563543	male	Sw91	Parcel_Rack_RH	562651	female
Sw58	Engine_Cmpt_	562581	male	Sw92	Parcel_Rack_RH	562651	female
Sw59	Engine_Cmpt_	562485	male	Sw93	Parcel_Rack_RH	562651	female
Sw60	Engine_Cmpt_	561566	female	Sw94.A		562403	female
Sw64.A	Service_Cmpt_	560815	female	Sw94.B		562403	female
Sw64.B	Service_Cmpt_	560815	female	Sw95.A	WCL_Door	561626	female
Sw65	Parcel_Rack_LH	562651	female	Sw95.B	WCL_Door	561626	female
Sw66	Parcel_Rack_LH	562651	female	Sw95.C	WCL_Door	561626	female
Sw67	Parcel_Rack_LH	562651	female	Sw96.A	WCL_Door	561626	female
Sw68	Parcel_Rack_LH	562651	female	Sw96.B	WCL_Door	561626	female
Sw69	Parcel_Rack_LH	562651	female	Sw96.C	WCL_Door	561626	female
Sw70	Parcel_Rack_LH	562651	female	Sw97.A	WCL_Door	561626	female
Sw71	Parcel_Rack_LH	562651	female	Sw97.B	WCL_Door	561626	female
Sw72	Parcel_Rack_LH	562651	female	Sw97.C	WCL_Door	561626	female
Sw73	Parcel_Rack_RH	562651	female	Sw98.A	WCL_Door	561626	female

# CONNECTORS LIST

No	Location	Part #	Gender
Sw98.B	WCL_Door	561626	female
Sw98.C	WCL_Door	561626	female
Sw99	Dash	562763	male
Sw100	Dash	562763	male
Sw101	Left_Hand_Console	562763	male
Sw102	Left_Hand_Console	562471	male
Sw125.A		561457	female
Sw125.B		561457	female
Sw126		562763	male
Sw299		562763	male
Sw300		562763	male
Sw301		562763	male
Sw302		562763	male
VECF1	FJB	563186	male
VECF2	FJB	563183	male
VECF3	FJB	563185	male
VECF4	FJB	563182	male
VECF10	FJB	563181	male
VECF11	FJB	563184	male
VECF12	FJB	563187	male
VECR1	RJB	563186	male
VECR2	RJB	563183	male
VECR3	RJB	563185	male
VECR4	RJB	563182	male
VECR9	RJB	563448	male
VECR10	RJB	563181	male
VECR11		563184	male
VECR12		563187	male

# CONNECTORS LIST

No	Location	Part #	Gender	No	Location	Part #	Gender
<Invalid>		563159	female	A31.B		561781	female
A1		563975	male	A32		563616	female
A2		563984	male	A33.A		564049	female
A3	Dash	562363	male	A33.B		564048	male
A4.A		562428	female	A33.C		562330	female
A4.B		561188	female	A34		563463	male
A5	Service_Cmpt_	562428	female	A35		563463	male
A6		563628	female	A36.JA	FJB	562767	male
A7		563979	male	A36.JB	FJB	562765	male
A9.Cx1		564041	female	A36.JC	FJB	562957	male
A9.Cx2		563697	male	A37		563463	male
A9.Cx3		564037	female	A38		563463	male
A9.Cx4		564038	female	A39.P101		563201	male
A10.X1	Engine_Cmpt_	563135	male	A39.P901		563953	male
A10.X3	Engine_Cmpt_	563134	female	A40.A		563071	male
A11	Left_Hand_Console	563142	male	A40.B		562706	female
A12	Dash	562464	male	A40.C		562624	female
A13.J1	FJB	562794	male	A40.D		562706	female
A13.J2	FJB	562650	male	A41.J1	FJB	562767	male
A14.CX	Dash	562957	male	A41.J2	FJB	563132	male
A14.CY	Dash	562765	male	A41.J3	FJB	562957	male
A14.LX	Dash	562766	male	A42.J1	FJB	562767	male
A14.LY	Dash	562767	male	A42.J2	FJB	563132	male
A14.RX	Dash	562767	male	A42.J3	FJB	562957	male
A15	Dash	562464	male	A43.J1	FJB	562767	male
A16	Front_Roof	561637	male	A43.J2	FJB	563132	male
A18.J1	FJB	562794	male	A43.J3	FJB	562957	male
A18.J2	FJB	562650	male	A44.J1	FJB	563133	male
A19	Left_Hand_Console	562878	female	A44.J2	FJB	563132	male
A20	Parcel_Rack_LH	561477	female	A44.J3	FJB	562957	male
A21	Rear_Axle_Cmpt_	kostalF	female	A45.J1	FJB	563133	male
A22	Left_Hand_Console	563338	male	A45.J2	FJB	563132	male
A23.A		563953	male	A45.J3	FJB	562957	male
A23.B		563697	male	A46.J1	FJB	563133	male
A24	Right_Hand_Console	561889	female	A46.J2	FJB	563132	male
A24.A	Right_Hand_Console	561890	male	A46.J3	FJB	562957	male
A24.B	Right_Hand_Console	561566	female	A47.J1	Right_Hand_Console	563133	male
A25		563025	male	A47.J2	Right_Hand_Console	563132	male
A27	Service_Cmpt_	562929	male	A47.J3	Right_Hand_Console	562957	male
A28	Service_Cmpt_	562928	male	A48.J1	Right_Hand_Console	563133	male
A29	Dash	562465	male	A48.J2	Right_Hand_Console	563132	male
A30		563226	male	A48.J3	Right_Hand_Console	562957	male
A31.A		561782	male	A49.J1	RJB	562767	male

# CONNECTORS LIST

No	Location	Part #	Gender	No	Location	Part #	Gender
A49.J2	RJB	563132	male	A68.C3		563958	male
A49.J3	RJB	562957	male	A68.D		563961	male
A50.J1	RJB	563133	male	A69.A		563071	male
A50.J2	RJB	563132	male	A69.B		561716	female
A50.J3	RJB	562957	male	A69.C		561716	female
A51.J1	RJB	563133	male	A69.D		561716	female
A51.J2	RJB	563132	male	A69.E		561716	female
A51.J3	RJB	562957	male	A69.F		561716	female
A52.J1	RJB	563133	male	A69.G		561716	female
A52.J2	RJB	563132	male	A69.H		561716	female
A52.J3	RJB	562957	male	A70		564011	female
A53.J1	RJB	563133	male	A70a		564011	male
A53.J2	RJB	563132	male	A71.A		562464	male
A53.J3	RJB	562957	male	A71.B		562706	female
A54.J1	Evap_Cmpt_	563133	male	A71.C		562706	female
A54.J2	Evap_Cmpt_	563132	male	A71.D		562706	female
A54.J3	Evap_Cmpt_	562957	male	A72.J1		563675	male
A60.A		562464	male	A72.J2		563678	male
A60.B		562706	female	A72.J3		563679	male
A60.C		562706	female	A72.J4		563680	male
A60.D		562706	female	A73.J1		563681	male
A61.A		562464	male	A73.J2		563684	male
A61.B		562465	male	A74		563207	male
A63.A		563960	male	Alt1.A		560815	female
A63.B		563962	male	Alt1.B		560815	female
A63.C		564009	male	Alt1.C		562862	female
A63.C1		563956	male	Alt2.A		560815	female
A63.C2		563957	male	Alt2.B		560815	female
A63.C3		563958	male	Alt2.C		562862	female
A63.D		563961	male	BOOM		560999	male
A64		563954	male	C1	Service_Cmpt_	563589	male
A65		562465	male	C1	Service_Cmpt_	563590	female
A66		561183	male	C1S	Service_Cmpt_	563589	male
A67.Vsa		563948	male	C1S	Service_Cmpt_	563590	female
A67.Vsb		563950	male	C2		563580	male
A67.Vsc		563947	male	C2		563581	female
A67.Vsd		563949	male	C3	RJB	563589	male
A67.Vse		563951	male	C3	RJB	563590	female
A68.A		563960	male	C3S		563589	male
A68.B		563962	male	C3S		563590	female
A68.C		564009	male	C4	Service_Cmpt_	563580	male
A68.C1		563956	male	C4	Service_Cmpt_	563581	female
A68.C2		563957	male	C5	Service Cmpt	563589	male

# CONNECTORS LIST

No	Location	Part #	Gender	No	Location	Part #	Gender
C5	Service_Cmpt_	563590	female	C29	5th_Lugg_Cmpt_	563651	male
C5S	Service_Cmpt_	563589	male	C29	5th_Lugg_Cmpt_	563652	female
C5S	Service_Cmpt_	563590	female	C30	5th_Lugg_Cmpt_	561710	male
C6	Service_Cmpt_	563582	male	C30	5th_Lugg_Cmpt_	561709	female
C6	Service_Cmpt_	563583	female	C31		561734	male
C7		562884	female	C31		561735	female
C7		562877	female	C32	5th_Lugg_Cmpt_	561550	male
C8		562884	female	C32	5th_Lugg_Cmpt_	561667	female
C8		562877	female	C33	RHFfrontRoof	561550	male
C9	Evap_Cmpt_	561986	male	C33	RHFfrontRoof	561667	female
C9	Evap_Cmpt_	561987	female	C34	Right_Hand_Console	561986	male
C10		562477	male	C34	Right_Hand_Console	561987	female
C10		562479	female	C35	RJB	562283	male
C11	Service_Cmpt_	563580	male	C35	RJB	562280	female
C11	Service_Cmpt_	563581	female	C36		561986	male
C13S	Right_Hand_Console	563589	male	C36		561987	female
C13S	Right_Hand_Console	563590	female	C37	Parcel_Rack_LH	562557	male
C14	Evap_Cmpt_	561986	male	C37	Parcel_Rack_LH	562558	female
C14	Evap_Cmpt_	561987	female	C38	Parcel_Rack_RH	562555	male
C15		561643	male	C38	Parcel_Rack_RH	562556	female
C15		561642	female	C39		562503	male
C16	RJB	561577	male	C39		562507	female
C16	RJB	561605	female	C40	Dash	562485	male
C17	RJB	561986	male	C40	Dash	562486	female
C17	RJB	561987	female	C41	RJB	561690	male
C18	FJB	561986	male	C41	RJB	561566	female
C18	FJB	561987	female	C43	Lavatory	561661	female
C19	RJB	561986	male	C43	Lavatory	561662	male
C19	RJB	561987	female	C44_plug	FJB	561577	male
C20		561668	male	C44_socket	FJB	561605	female
C20		561551	female	C45	FJB	561643	male
C21A	RJB	561646	male	C45	FJB	561642	female
C21A	RJB	561645	female	C46	FJB	561577	male
C21B	RJB	561646	male	C46	FJB	561605	female
C21B	RJB	561645	female	C47		561247	male
C22	RJB	561847	male	C47		561248	female
C22	RJB	561862	female	C48	Service_Cmpt_	561690	male
C23	5thLugg.Cmpt	561847	male	C48	Service_Cmpt_	561566	female
C23	5thLugg.Cmpt	561862	female	C51		562477	male
C24_plug	Evap_Cmpt_	561690	male	C51		562479	female
C24_socket	Evap_Cmpt_	561566	female	C53		561539	male
				C53		561540	female
				C55	Evap Cmpt	561577	male

# CONNECTORS LIST

No	Location	Part #	Gender	No	Location	Part #	Gender
C55	Evap_Cmpt_	561605	female	C123		561690	male
C66		561577	male	C123		561566	female
C66		561605	female	C124		561577	male
C67		561247	male	C124		561605	female
C67		561248	female	C125	Service_Cmpt_	562503	male
C70		562557	male	C125	Service_Cmpt_	562507	female
C70		562558	female	C126		562581	male
C71	Service_Cmpt_	561646	male	C126		562583	female
C71	Service_Cmpt_	561645	female	C127		563412	male
C72		561646	male	C127		563413	female
C72		561645	female	C128		563412	male
C74		561645	female	C128		563413	female
C74		561646	male	C129		563412	male
C78		561690	male	C129		563413	female
C78		561566	female	C130		563412	male
C82		562581	male	C130		563413	female
C82		562583	female	C131		563412	male
C87	Lavatory	561637	male	C131		563413	female
C87	Lavatory	561636	female	C132		563412	male
C91		562285	male	C132		563413	female
C91		562282	female	C133		563412	male
C92	FJB	561640	male	C133		563413	female
C92	FJB	561639	female	C134		563412	male
C100	5th_Lugg_Cmpt_	563589	male	C134		563413	female
C100	5th_Lugg_Cmpt_	563590	female	C141		561247	male
C100S	5th_Lugg_Cmpt_	563589	male	C141		561248	female
C100S	5th_Lugg_Cmpt_	563590	female	C144	UnderLHSeat	560852	male
C101	Service_Cmpt_	561690	male	C144	UnderLHSeat	560851	female
C101	Service_Cmpt_	561566	female	C150		561515	male
C102		561690	male	C150		561552	female
C102		561566	female	C152	CondensorCmpt.	561611	male
C103		562485	male	C152	CondensorCmpt.	561610	female
C103		562486	female	C155		561626	female
C105		562581	male	C155		561904	female
C105		562583	female	C168	Above_Rear_Axle	561890	male
C119	EngineDoor	561607	male	C168	Above_Rear_Axle	561889	female
C119	EngineDoor	561606	female	C171	Service_Cmpt_	561646	male
C120	EngineDoor	561607	male	C171	Service_Cmpt_	561645	female
C120	EngineDoor	561606	female	C183	Service_Cmpt_	561611	male
C121	EngineDoor	561690	male	C183	Service_Cmpt_	561610	female
C121	EngineDoor	561566	female	C193		563589	male
C122		561690	male	C193		563590	female
C122		561566	female	C194		563589	male



# CONNECTORS LIST

No	Location	Part #	Gender	No	Location	Part #	Gender
C194		563590	female	C284-6		564048	male
C206		562503	male	C284-6		564047	female
C206		562507	female	C298		561782	male
C207		562503	male	C298		561781	female
C207		562507	female	C298A		561782	male
C209		562503	male	C298A		561781	female
C209		562507	female	C298B		561782	male
C211		562503	male	C298B		561781	female
C211		562507	female	C302		563071	male
C212	WCL_Door	561515	male	C302		563040	female
C212	WCL_Door	561552	female	C380	Dash	563180	male
C230	Engine_Cmpt_	562485	male	C380	Dash	563347	female
C230	Engine_Cmpt_	562486	female	C381		561847	male
C239	Service_Cmpt_	561690	male	C381		561862	female
C239	Service_Cmpt_	561566	female	C382		561580	male
C240	Service_Cmpt_	561607	male	C382		561582	female
C240	Service_Cmpt_	561606	female	C394	FJB	560852	male
C242	Service_Cmpt_	562789	male	C394	FJB	560851	female
C242	Service_Cmpt_	565131	female	C397	RJB	562285	male
C243	Service_Cmpt_	562789	male	C397	RJB	562282	female
C243	Service_Cmpt_	565131	female	C403		561247	male
C246	Service_Cmpt_	563090	male	C403		561248	female
C246	Service_Cmpt_	563091	female	C404		561247	male
C260	Service_Cmpt_	561607	male	C404		561248	female
C260	Service_Cmpt_	561606	female	C405		561247	male
C269	RHConsole	563090	male	C405		561248	female
C269	RHConsole	563091	female	C426	EngineCmpt	561782	male
C279	Service_Cmpt_	562477	male	C426	EngineCmpt	561781	female
C279	Service_Cmpt_	562479	female	C430	LHConsole	562363	male
C279A		561690	male	C430	LHConsole	561188	female
C279A		561566	female	C452	Dash	561611	male
C284		561782	male	C452	Dash	561610	female
C284		561781	female	C463	Engine_Cmpt_	562570	female
C284-1		561782	male	C463	Engine_Cmpt_	562571	male
C284-1		561781	female	C464	RJB	563180	male
C284-2		561782	male	C464	RJB	563347	female
C284-2		561781	female	C465		562581	male
C284-3		561782	male	C465		562583	female
C284-3		561781	female	C506	FJB	561687	male
C284-4		561782	male	C506	FJB	561685	female
C284-4		561781	female	C542		561550	male
C284-5		561782	male	C542		561667	female
C284-5		561781	female	C558		562503	male

# CONNECTORS LIST

No	Location	Part #	Gender	No	Location	Part #	Gender
C558		562507	female	C720	Rear_Axle_Cmpt_	563359	female
C564		562503	male	C721	RJB	561515	male
C564		562507	female	C721	RJB	561552	female
C564-Sp		562503	male	C723	Rear_Axle_Cmpt_	562877	female
C564-Sp		562507	female	C723	Rear_Axle_Cmpt_	562884	female
C566		562503	male	C750		562707	male
C566		562507	female	C750		562706	female
C567		562503	male	C751		562707	male
C567		562507	female	C751		562706	female
C575	RrSectionRHHatRack	562503	male	C752		562707	male
C575	RrSectionRHHatRack	562507	female	C752		562706	female
C576	RrSectionRHHatRack	561550	male	C753		562707	male
C576	RrSectionRHHatRack	561667	female	C753		562706	female
C577	RrSectionLHHatRack	561550	male	C754		562707	male
C577	RrSectionLHHatRack	561667	female	C754		562706	female
C578	RrSectionLHHatRack	562503	male	C755		562707	male
C578	RrSectionLHHatRack	562507	female	C755		562706	female
C581	UnderdashBoard	562777	male	C758		562707	male
C582	FJB	561690	female	C758		562706	female
C582	FJB	561566	female	C759		562707	male
C589	Service_Cmpt_	563088	male	C759		562706	female
C589	Service_Cmpt_	563089	female	C760		562707	male
C590	RHConsole	563088	male	C760		562706	female
C590	RHConsole	563089	female	C761		562707	male
C601	LHRoofWinAjar	561476	male	C761		562706	female
C601	LHRoofWinAjar	561477	female	C762		562707	male
C602		561476	male	C762		562706	female
C602		561477	female	C763		562707	male
C603	RHRoofWinAjar	561476	male	C763		562706	female
C603	RHRoofWinAjar	561477	female	C764		562707	male
C611	Parcel_Rack_RH	562557	male	C764		562706	female
C611	Parcel_Rack_RH	562558	female	C765		562707	male
C612_plug	Parcel_Rack_RH	562555	male	C765		562706	female
C612_socket	Parcel_Rack_RH	562556	female	C766		561662	male
C613_plug	Parcel_Rack_RH	561550	male	C766		561661	female
C613_socket	Parcel_Rack_RH	561667	female	CSX1	Engine_Cmpt_	563135	male
C614		563071	male	CSX1	Engine_Cmpt_	563134	female
C614		563040	female	CSX3	Engine_Cmpt_	563135	male
C615		563071	male	CSX3	Engine_Cmpt_	563134	female
C615		563040	female	CT2		563226	male
C717		561646	male	CT2		563613	female
C717		561645	female	CT3		563224	male
C720	Rear Axle Cmpt	563358	male	CVSA plug		562503	male

# CONNECTORS LIST

No	Location	Part #	Gender	No	Location	Part #	Gender
CVSA_socket		562507	female	L20	Entrance_Door	562486	female
Drspk_Left.A		562651	female	L21.A	Front_Roof	561608	female
Drspk_Left.B		562290	female	L21.B	Front_Roof	562286	male
Drspk_Right.A		562651	female	L22.A	Front_Roof	561608	female
Drspk_Right.B		562290	female	L22.B	Front_Roof	562286	male
FUSE_BOX_1.A		562610	male	L23.A	Front_Roof	561608	female
FUSE_BOX_1.B		562610	male	L23.B	Front_Roof	562286	male
FUSE_BOX_2.A		562610	male	L24.A	Front_Roof	561608	female
FUSE_BOX_2.B		562610	male	L24.B	Front_Roof	562286	male
L.H.CONSOLE		560999	male	L25.A	Front_Roof	561608	female
L.H.MODESTYPANEL		560999	male	L25.B	Front_Roof	562286	male
L1	Service_Cmpt_	562848	male	L26.A	Front_Roof	561608	female
L2	Front_Roof	561247	male	L26.B	Front_Roof	562286	male
L3.A	Parcel_Rack_RH	562758	male	L27.A	Front_Roof	561608	female
L3.B	Parcel_Rack_RH	562759	male	L27.B	Front_Roof	562286	male
L4.A	Parcel_Rack_RH	562758	male	L28	Parcel_Rack_LH	560898	male
L4.B	Parcel_Rack_RH	562759	male	L29	Parcel_Rack_LH	560898	male
L5.A	Parcel_Rack_RH	562758	male	L30	Parcel_Rack_LH	560898	male
L5.B	Parcel_Rack_RH	562759	male	L31	Parcel_Rack_LH	560898	male
L6.A	Parcel_Rack_RH	562758	male	L32	Parcel_Rack_LH	560898	male
L6.B	Parcel_Rack_RH	562759	male	L33	Parcel_Rack_LH	560898	male
L7.A	Parcel_Rack_RH	562758	male	L34	Parcel_Rack_LH	560898	male
L7.B	Parcel_Rack_RH	562759	male	L35	Parcel_Rack_LH	560898	male
L8.A	Parcel_Rack_RH	562758	male	L36	Parcel_Rack_LH	560898	male
L8.B	Parcel_Rack_RH	562759	male	L37	Parcel_Rack_LH	560898	male
L9.A	Parcel_Rack_LH	562758	male	L38	Parcel_Rack_LH	560898	male
L9.B	Parcel_Rack_LH	562759	male	L39	Parcel_Rack_LH	560898	male
L10.A	Parcel_Rack_LH	562758	male	L40	Parcel_Rack_RH	560898	male
L10.B	Parcel_Rack_LH	562759	male	L41	Parcel_Rack_RH	560898	male
L11.A	Parcel_Rack_LH	562758	male	L42	Parcel_Rack_RH	560898	male
L11.B	Parcel_Rack_LH	562759	male	L43	Parcel_Rack_RH	560898	male
L12.A	Parcel_Rack_LH	562758	male	L44	Parcel_Rack_RH	560898	male
L12.B	Parcel_Rack_LH	562759	male	L45	Parcel_Rack_RH	560898	male
L13.A	Parcel_Rack_LH	562758	male	L46	Parcel_Rack_RH	560898	male
L13.B	Parcel_Rack_LH	562759	male	L47	Parcel_Rack_RH	560898	male
L14.A	Parcel_Rack_LH	562758	male	L48	Parcel_Rack_RH	560898	male
L14.B	Parcel_Rack_LH	562759	male	L49	Parcel_Rack_RH	560898	male
L15.A	Parcel_Rack_LH	562758	male	L50	Parcel_Rack_RH	560898	male
L15.B	Parcel_Rack_LH	562759	male	L51	Parcel_Rack_RH	560898	male
L16	Front_Roof	562803	male	L52	Driver_Area	560898	male
L17	Front_Roof	562803	male	L53	Passenger_Area	560898	male
L18		562486	female	L54	Passenger_Area	560898	male
L19	Entrance_Door	562486	female	L55	Passenger_Area	560898	male

# CONNECTORS LIST

No	Location	Part #	Gender	No	Location	Part #	Gender
L56	Passenger_Area	560898	male	L90.A	Rear_Roof	561608	female
L57	Passenger_Area	560898	male	L90.B	Rear_Roof	562286	male
L58	Passenger_Area	560898	male	L91	Engine_Cmpt_	562755	male
L59.A	Outside_Front_RH	562623	male	L92	Engine_Cmpt_	562755	male
L59.B	Outside_Front_RH	562623	male	L93.A		563069	female
L60.A	Outside_Front_LH	562623	male	L93.B		563069	female
L60.B	Outside_Front_LH	562623	male	L94.A		563069	female
L61	Outside_Front_RH	562601	male	L94.B		563069	female
L62	Outside_Front_LH	562601	male	L95	Outside_Front_LH	562902	female
L63	Outside_Front_RH	562155	male	L96	Outside_Front_RH	562902	female
L64	Outside_Front_RH	562155	male	L97.A		563069	female
L65	Outside_Front_LH	562155	male	L97.B		563069	female
L66	Outside_Front_LH	562155	male	L98.A		563069	female
L67	3rd_Lugg_Cmpt_	562155	male	L98.B		563069	female
L68	3rd_Lugg_Cmpt_	562155	male	L99	Parcel_Rack_LH	560898	male
L69	3rd_Lugg_Cmpt_	562155	male	L100	Parcel_Rack_LH	560898	male
L70	3rd_Lugg_Cmpt_	562155	male	L101	Parcel_Rack_LH	560898	male
L71	Rear_Engine_Door	562601	male	L102	Parcel_Rack_LH	560898	male
L72	Rear_Vehicle	562155	male	L103	Parcel_Rack_LH	560898	male
L73	Rear_Vehicle	562601	male	L104	Parcel_Rack_LH	560898	male
L74	Rear_Vehicle	562155	male	L105	Parcel_Rack_LH	560898	male
L75	Rear_Vehicle	562155	male	L106	Parcel_Rack_LH	560898	male
L76	Rear_Engine_Door	562155	male	L107	Parcel_Rack_LH	560898	male
L77	Rear_Engine_Door	562601	male	L108	Parcel_Rack_LH	560898	male
L78	Rear_Engine_Door	562601	male	L109	Parcel_Rack_LH	560898	male
L79	Rear_Engine_Door	562601	male	L110	Parcel_Rack_LH	560898	male
L80	Rear_Engine_Door	562601	male	L111	Parcel_Rack_LH	560898	male
L81.A	Rear_Engine_Door	562835	female	L112	Parcel_Rack_LH	560898	male
L81.B	Rear_Engine_Door	562834	male	L113	Parcel_Rack_RH	560898	male
L82	Rear_Engine_Door	562348	female	L114	Parcel_Rack_RH	560898	male
L83	Rear_Engine_Door	562348	female	L115	Parcel_Rack_RH	560898	male
L84.A	Rear_Roof	561608	female	L116	Parcel_Rack_RH	560898	male
L84.B	Rear_Roof	562286	male	L117	Parcel_Rack_RH	560898	male
L85.A	Rear_Roof	561608	female	L118	Parcel_Rack_RH	560898	male
L85.B	Rear_Roof	562286	male	L119	Parcel_Rack_RH	560898	male
L86.A	Rear_Roof	561608	female	L120	Parcel_Rack_RH	560898	male
L86.B	Rear_Roof	562286	male	L121	Parcel_Rack_RH	560898	male
L87.A	Rear_Roof	561608	female	L122	Parcel_Rack_RH	560898	male
L87.B	Rear_Roof	562286	male	L123	Parcel_Rack_RH	560898	male
L88.A	Rear_Roof	561608	female	L124	Parcel_Rack_RH	560898	male
L88.B	Rear_Roof	562286	male	L125	Parcel_Rack_RH	560898	male
L89.A	Rear_Roof	561608	female	L126	Parcel_Rack_RH	560898	male
L89.B	Rear_Roof	562286	male	L127	Parcel_Rack_RH	562758	male

# CONNECTORS LIST

No	Location	Part #	Gender	No	Location	Part #	Gender
L128	Parcel_Rack_RH	562758	male	L158.B	Parcel_Rack_LH	562505	female
L129	Parcel_Rack_RH	562758	male	L159.A	Parcel_Rack_RH	562756	male
L130	Parcel_Rack_RH	562758	male	L159.B		562505	female
L131	Parcel_Rack_RH	562758	male	L160.A	Parcel_Rack_RH	562756	male
L132	Parcel_Rack_RH	562758	male	L160.B	Parcel_Rack_RH	562505	female
L134	Parcel_Rack_LH	562758	male	L161.A	Parcel_Rack_RH	562756	male
L135	Parcel_Rack_LH	562758	male	L161.B	Parcel_Rack_RH	562505	female
L136	Parcel_Rack_LH	562758	male	L162.A	Parcel_Rack_RH	562756	male
L137	Parcel_Rack_LH	562758	male	L162.B	Parcel_Rack_RH	562505	female
L138	Parcel_Rack_LH	562758	male	L163.A	Parcel_Rack_RH	562756	male
L139	Parcel_Rack_LH	562758	male	L163.B	Parcel_Rack_RH	562505	female
L140	Lavatory	561247	male	L164.A	Parcel_Rack_RH	562756	male
L142	Lavatory	562803	male	L164.B	Parcel_Rack_RH	562505	female
L143	Front_Roof	561247	male	L165.A	Parcel_Rack_RH	562756	male
L144.A	Parcel_Rack_LH	562756	male	L165.B	Parcel_Rack_RH	562505	female
L144.B	Parcel_Rack_LH	562505	female	L166.A	Parcel_Rack_RH	562756	male
L145.A	Parcel_Rack_LH	562756	male	L166.B	Parcel_Rack_RH	562505	female
L145.B	Parcel_Rack_LH	562505	female	L167.A	Parcel_Rack_RH	562756	male
L146.A	Parcel_Rack_LH	562756	male	L167.B	Parcel_Rack_RH	562505	female
L146.B	Parcel_Rack_LH	562505	female	L168.A	Parcel_Rack_RH	562756	male
L147.A	Parcel_Rack_LH	562756	male	L168.B	Parcel_Rack_RH	562505	female
L147.B	Parcel_Rack_LH	562505	female	L169.A	Parcel_Rack_RH	562756	male
L148.A	Parcel_Rack_LH	562756	male	L169.B	Parcel_Rack_RH	562505	female
L148.B		562505	female	L170.A	Parcel_Rack_RH	562756	male
L149.A	Parcel_Rack_LH	562756	male	L170.B	Parcel_Rack_RH	562505	female
L149.B	Parcel_Rack_LH	562505	female	L171.A	Parcel_Rack_RH	562756	male
L150.A	Parcel_Rack_LH	562756	male	L171.B	Parcel_Rack_RH	562505	female
L150.B	Parcel_Rack_LH	562505	female	L172	Parcel_Rack_RH	562756	male
L151.A	Parcel_Rack_LH	562756	male	L172.B	Parcel_Rack_RH	562505	female
L151.B	Parcel_Rack_LH	562505	female	L173	Engine_Cmpt_	563268	male
L152.A	Parcel_Rack_LH	562756	male	L174	Engine_Cmpt_	563268	male
L152.B	Parcel_Rack_LH	562505	female	L175	RJB	561247	male
L153.A	Parcel_Rack_LH	562756	male	L176	5th_Lugg_Cmpt_	561247	male
L153.B	Parcel_Rack_LH	562505	female	L177	5th_Lugg_Cmpt_	561247	male
L154.A	Parcel_Rack_LH	562756	male	L178	3rd_Lugg_Cmpt_	561247	male
L154.B	Parcel_Rack_LH	562505	female	L179	3rd_Lugg_Cmpt_	561247	male
L155.A	Parcel_Rack_LH	562756	male	L180	2nd_Lugg_Cmpt_	561247	male
L155.B	Parcel_Rack_LH	562505	female	L181	2nd_Lugg_Cmpt_	561247	male
L156.A	Parcel_Rack_LH	562756	male	L182	1st_Lugg_Cmpt_	561247	male
L156.B	Parcel_Rack_LH	562505	female	L183	1st_Lugg_Cmpt_	561247	male
L157.A	Parcel_Rack_LH	562756	male	L184	Service_Cmpt_	561247	male
L157.B	Parcel_Rack_LH	562505	female	L187	Engine_Cmpt_	561690	male
L158.A	Parcel_Rack_LH	562756	male	L188	Service Cmpt	562486	female

# CONNECTORS LIST

No	Location	Part #	Gender	No	Location	Part #	Gender
L189	Outside_Front_RH	562069	male	L220.B	Parcel_Rack_LH	561248	female
L190	Outside_Front_LH	562069	male	L221.A	Parcel_Rack_LH	561248	female
L191	Parcel_Rack_LH	561550	male	L221.B	Parcel_Rack_LH	561248	female
L192	Parcel_Rack_LH	560898	male	L222.A	Parcel_Rack_LH	561248	female
L193.A	Dash	560488	female	L222.B	Parcel_Rack_LH	561248	female
L193.B	Dash	560488	female	L223.A	Parcel_Rack_LH	561248	female
L194.A	Left_Hand_Console	562019	female	L223.B	Parcel_Rack_LH	561248	female
L194.B	Left_Hand_Console	560488	female	L224.A	Parcel_Rack_LH	561248	female
L195.A	Dash	560488	female	L224.B	Parcel_Rack_LH	561248	female
L195.B	Dash	560488	female	L225.A	Parcel_Rack_LH	561248	female
L199	Engine_Cmpt_	562471	male	L225.B	Parcel_Rack_LH	561248	female
L200	Engine_Cmpt_	562471	male	L226	Parcel_Rack_RH	562758	male
L201	Front_Roof	561247	male	L227	Parcel_Rack_RH	562758	male
L202	Front_Roof	561247	male	L228	Parcel_Rack_RH	562758	male
L203		561690	male	L229	Parcel_Rack_RH	562758	male
L205	Evap_Cmpt_	562485	male	L230	Parcel_Rack_RH	562758	male
L206	Parcel_Rack_RH	562803	male	L231	Parcel_Rack_RH	562758	male
L207.A	5th_Lugg_Cmpt_	561699	female	L232.A	Parcel_Rack_RH	562758	male
L207.B	5th_Lugg_Cmpt_	561699	female	L232.B	Parcel_Rack_RH	562759	male
L207.C	5th_Lugg_Cmpt_	561701	female	L233.A	Parcel_Rack_RH	562758	male
L207.D	5th_Lugg_Cmpt_	561699	female	L233.B	Parcel_Rack_RH	562759	male
L207.E	5th_Lugg_Cmpt_	561701	female	L234.A	Parcel_Rack_RH	562758	male
L207.F	5th_Lugg_Cmpt_	561699	female	L234.B	Parcel_Rack_RH	562759	male
L207.G	5th_Lugg_Cmpt_	561699	female	L235.A	Parcel_Rack_RH	562758	male
L207.H	5th_Lugg_Cmpt_	560926	female	L235.B	Parcel_Rack_RH	562759	male
L207.I	5th_Lugg_Cmpt_	560926	female	L236.A	Parcel_Rack_RH	562758	male
L208	Outside_Front_LH	563088	male	L236.B	Parcel_Rack_RH	562759	male
L209	Outside_Front_RH	563088	male	L238.A	Parcel_Rack_RH	561248	female
L211	Entrance_Door	562486	female	L238.B	Parcel_Rack_RH	561248	female
L213.A	Parcel_Rack_RH	561248	female	L239.A	Parcel_Rack_RH	561248	female
L213.B	Parcel_Rack_RH	561248	female	L239.B	Parcel_Rack_RH	561248	female
L214.A	Parcel_Rack_RH	561248	female	L240.A	Parcel_Rack_RH	561248	female
L214.B	Parcel_Rack_RH	561248	female	L240.B	Parcel_Rack_RH	561248	female
L215.A	Parcel_Rack_RH	561248	female	L241.A	Parcel_Rack_RH	561248	female
L215.B	Parcel_Rack_RH	561248	female	L241.B	Parcel_Rack_RH	561248	female
L216.A	Parcel_Rack_RH	561248	female	L242.A	Parcel_Rack_RH	561248	female
L216.B	Parcel_Rack_RH	561248	female	L242.B	Parcel_Rack_RH	561248	female
L217.A	Parcel_Rack_RH	561248	female	L244.A	Parcel_Rack_RH	562756	male
L217.B	Parcel_Rack_RH	561248	female	L244.B		562505	female
L218.A	Parcel_Rack_RH	561248	female	L245.A	Parcel_Rack_RH	562756	male
L218.B	Parcel_Rack_RH	561248	female	L245.B		562505	female
L219.A	Parcel_Rack_LH	561248	female	L246.A	Parcel_Rack_RH	562756	male
L219.B	Parcel_Rack_LH	561248	female				
L220.A	Parcel_Rack_LH	561248	female	L246.B		562505	female

# CONNECTORS LIST

No	Location	Part #	Gender	No	Location	Part #	Gender
L247.A	Parcel_Rack_RH	562756	male	L280	Parcel_Rack_RH	560898	male
L247.B		562505	female	L281	Parcel_Rack_RH	560898	male
L248.A	Parcel_Rack_RH	562756	male	L282	Rear_Axle_Cmpt_	561690	male
L248.B		562505	female	L285		562251	male
L249.A		562756	male	L293.A		560081	female
L249.B		562505	female	L293.B		560081	female
L250.A		562756	male	L294.A		560081	female
L250.B		562505	female	L294.B		560081	female
L251.A		562756	male	L295		562251	male
L251.B		562505	female	Mo1	Engine_Cmpt_	561690	female
L252.A		562756	male	Mo2	Engine_Cmpt_	561782	male
L252.B		562505	female	Mo3	Dash	561667	female
L253.A		562756	male	Mo4	Dash	562076	male
L253.B		562505	female	Mo5	Front_Roof	561550	female
L254.A		562756	male	Mo6	Service_Cmpt_	561690	male
L254.B		562505	female	Mo7.A		560102	female
L255.A		562756	male	Mo7.B		560102	female
L255.B		562505	female	Mo10	Parcel_Rack_LH	561515	male
L256.A		562756	male	Mo11	Parcel_Rack_RH	561515	male
L256.B		562505	female	Mo12	Evap_Cmpt_	561690	male
L257.A		562756	male	Mo13	Engine_Cmpt_	561690	female
L257.B		562505	female	Mo14	Parcel_Rack_RH	561566	female
L258	Parcel_Rack_RH	560898	male	Mo15	Front_Roof	560900	female
L259	Parcel_Rack_RH	560898	male	Mo16	Front_Roof	560900	female
L260	Parcel_Rack_RH	560898	male	Mo17		563626	male
L261	Parcel_Rack_RH	560898	male	Mo18		562474	male
L262	Parcel_Rack_RH	560898	male	Mo19		562474	male
L263	Parcel_Rack_RH	560898	male	Mo20		562474	male
L264	Parcel_Rack_RH	560898	male	Mo21	Front_Roof	561186	male
L266	Parcel_Rack_RH	560898	male	Mo22	Right_Hand_Console	561186	male
L267	Parcel_Rack_RH	560898	male	Mo24	Right_Hand_Console	562348	female
L268	Parcel_Rack_RH	560898	male	Mo25	Right_Hand_Console	562348	female
L269	Parcel_Rack_RH	560898	male	Mo54		562474	male
L270	Parcel_Rack_RH	560898	male	P36.A	Engine_Cmpt_	561701	female
L271	Parcel_Rack_RH	560898	male	P36.B	Engine_Cmpt_	561701	female
L272	Parcel_Rack_RH	560898	male	P36.C	Engine_Cmpt_	561701	female
L273	Parcel_Rack_RH	560898	male	Pot1.A	Dash	560488	female
L274	Parcel_Rack_RH	560898	male	Pot1.B	Dash	560488	female
L275	Parcel_Rack_RH	560898	male	Pot1.C	Dash	560488	female
L276	Parcel_Rack_RH	560898	male	R-12VISS		561183	male
L277	Parcel_Rack_RH	560898	male	R.H.CONSOLE		560999	male
L278	Parcel_Rack_RH	560898	male	R.H.MODESTYPANEL		560999	male
L279	Parcel_Rack_RH	560898	male	R2	RJB	561183	male

# CONNECTORS LIST

No	Location	Part #	Gender	No	Location	Part #	Gender
R3	RJB	563409	male	Se9	Window_LH	561477	female
R4		561183	male	Se10	Window_LH	561477	female
R5	RJB	561183	male	Se11.A	Cond_Cmpt_	560082	male
R6	RJB	561183	male	Se11.B	Cond_Cmpt_	560082	male
R9	Evap_Cmpt_	563409	male	Se11.C	Cond_Cmpt_	560082	male
R10	Evap_Cmpt_	563409	male	Se12	Engine_Cmpt_	561690	female
R11	RJB	561183	male	Se13	Engine_Cmpt_	562350	male
R12	Evap_Cmpt_	563409	male	Se14.A	Driver_Area	561782	male
R13	RJB	561183	male	Se14.B	Driver_Area	561781	female
R14	RJB	562367	male	Se15	Right_Hand_Console	560898	male
R15	RJB	561183	male	Se16	Entrance_Door	562348	female
R16	Dash	561183	male	Se17	Entrance_Door	560081	female
R17	RJB	562367	male	Se18.A	Service_Cmpt_	560815	female
R18	FJB	562367	male	Se19		563677	male
R19	FJB	562367	male	Se19A		563677	male
R20	Evap_Cmpt_	561183	male	Se20	Evap_Cmpt_	562426	male
R22		561183	male	Se21	Dash	561248	female
R23	Right_Hand_Console	561183	male	Se23	Engine_Cmpt_	563159	male
R24	FJB	561183	male	Se24	Engine_Cmpt_	563159	male
R25	RJB	561183	male	Se25	Passenger_Area	561248	female
R26	Cond_Cmpt_	561183	male	Se26	Service_Cmpt_	561690	female
R27		561183	male	Se27	Front_Axle_Cmpt_	561111	female
R35		561183	male	Se28		561690	male
R36		561183	male	Se29		561566	female
R37		561183	male	Se30	Engine_Cmpt_	561690	female
R_AMPLI		562367	male	Se31	Engine_Cmpt_	561690	female
R_Flip		561183	male	Se32	Engine_Cmpt_	563057	male
R_Tv		561183	male	Se33	Engine_Cmpt_	562856	male
Res3		563590	female	Se34	Engine_Cmpt_	563057	male
Res4		563590	female	Se35	Engine_Cmpt_	563057	male
Res5	Dash	563590	female	Se36		563629	female
Res6		563590	female	Se37		641132	female
Res7	FJB	563590	female	Se38		641132	female
Res12	Engine_Cmpt_	563590	female	Se39		641132	female
Res15	RJB	561782	male	Se40		641132	female
Se1	Engine_Cmpt_	562486	female	Se41	Engine_Cmpt_	562486	female
Se2	Engine_Cmpt_	562486	female	Se43		563340	male
Se3	RJB	562486	female	Se44.A		560082	female
Se4	Window_RH	561477	female	Se44.B		560082	female
Se5	Window_RH	561477	female	Se45		563409	male
Se6	Window_RH	561477	female	Se46		562348	female
Se7	Window_LH	561477	female	Se60		563409	male
Se8	Window LH	561477	female	Se63		641132	female



# CONNECTORS LIST

No	Location	Part #	Gender	No	Location	Part #	Gender
Se64		641132	female	Spk5_L		563994	male
Se65		564042	female	Spk5_R		563994	male
Se66		564039	female	Spk6_L		563994	male
Se67		563159	female	Spk6_R		563994	male
Se68		563159	female	Spk7_L		563994	male
Se69		563159	female	Spk7_R		563994	male
So1	Engine_Cmpt_	561566	female	Spk8_L		563994	male
So3		641385	male	Spk8_R		563994	male
So4		641385	male	Spk9_L		563994	male
So5		641385	male	Spk9_R		563994	male
So6		641385	male	Spk10_L		563994	male
So7	Service_Cmpt_	561566	male	Spk10_R		563994	male
So8	Service_Cmpt_	563204	female	Spk11_L		563994	male
So9	Engine_Cmpt_	561566	female	Spk11_R		563994	male
So10	Cond_Cmpt_	562485	male	Spk12_L		563994	male
So11	Cond_Cmpt_	561566	female	Spk12_R		563994	male
So12	Evap_Cmpt_	561566	female	Spk13_L		563994	male
So13	Evap_Cmpt_	563204	female	Spk13_R		563994	male
So14		564045	female	Spk14_L		563994	male
So15		564045	female	Spk14_R		563994	male
So16		564045	female	Spk15_L		563994	male
So17		564045	female	Spk15_R		563994	male
So18		641385	male	Spk16_L		563994	male
So19		641385	male	Spk16_R		563994	male
So20		564045	female	SpkDr_L.A		562651	female
So21		564046	female	SpkDr_L.B		562290	female
So22		564046	female	SpkDr_R.A		562651	female
So23		564046	female	SpkDr_R.B		562290	female
So24		564046	female	Sub1.A		564004	female
So25		641949	male	Sub2		564004	female
So26		564045	female	Sw1.C258		561188	female
So27		564045	female	Sw1.C259		561186	male
So50		564046	female	Sw2	Dash	562763	male
So51		564046	female	Sw3	Dash	562763	male
So52		564045	female	Sw4	Dash	562763	male
Spk1_L		563994	male	Sw5	Dash	562763	male
Spk1_R		563994	male	Sw6		562763	male
Spk2_L		563994	male	Sw7.A	Cond_Cmpt_	562403	female
Spk2_R		563994	male	Sw7.B	Cond_Cmpt_	562403	female
Spk3_L		563994	male	Sw8	Dash	562763	male
Spk3_R		563994	male	Sw9	Dash	562763	male
Spk4_L		563994	male	Sw10	Dash	562763	male
Spk4_R		563994	male	Sw11	Dash	562763	male

# CONNECTORS LIST

No	Location	Part #	Gender	No	Location	Part #	Gender
Sw12		562763	male	Sw49.B	2nd_Lugg_Cmpt_	562403	female
Sw13	Dash	562763	male	Sw50.A	2nd_Lugg_Cmpt_	562403	female
Sw14	Dash	562763	male	Sw50.B	2nd_Lugg_Cmpt_	562403	female
Sw15	Dash	562763	male	Sw51.A	1st_Lugg_Cmpt_	562403	female
Sw16	Dash	562763	male	Sw51.B	1st_Lugg_Cmpt_	562403	female
Sw17	Dash	562763	male	Sw52	1st_Lugg_Cmpt_	562403	female
Sw18	Dash	562763	male	Sw52.B	1st_Lugg_Cmpt_	562403	female
Sw20	Dash	562763	male	Sw53	Parcel_Rack_LH	562651	female
Sw21	Dash	562763	male	Sw55.A	Lavatory	560488	female
Sw22	Dash	562763	male	Sw55.B	Lavatory	560488	female
Sw23	Dash	562763	male	Sw56.A	Lavatory	560488	female
Sw24	Dash	562763	male	Sw56.B	Lavatory	560488	female
Sw25	Dash	562763	male	Sw57	WCL_Door	563543	male
Sw26	Dash	562763	male	Sw58	Engine_Cmpt_	562581	male
Sw27	Dash	562763	male	Sw59	Engine_Cmpt_	562485	male
Sw28	Left_Hand_Console	562763	male	Sw60	Engine_Cmpt_	561566	female
Sw29	Dash	562763	male	Sw64.A	Service_Cmpt_	560815	female
Sw30		561566	female	Sw65	Parcel_Rack_LH	562651	female
Sw31	WCL_Door	563543	male	Sw66	Parcel_Rack_LH	562651	female
Sw32	Dash	561477	female	Sw67	Parcel_Rack_LH	562651	female
Sw33	Dash	561476	male	Sw68	Parcel_Rack_LH	562651	female
Sw34	Outside_Front_RH	562477	male	Sw69	Parcel_Rack_LH	562651	female
Sw35	Dash	562763	male	Sw70	Parcel_Rack_LH	562651	female
Sw36	Left_Hand_Console	562763	male	Sw71	Parcel_Rack_LH	562651	female
Sw37	Left_Hand_Console	562763	male	Sw72	Parcel_Rack_LH	562651	female
Sw38	Left_Hand_Console	562763	male	Sw73	Parcel_Rack_RH	562651	female
Sw39.A		562403	female	Sw74	Parcel_Rack_RH	562651	female
Sw39.B		562403	female	Sw75	Parcel_Rack_RH	562651	female
Sw40	Left_Hand_Console	561690	male	Sw76	Parcel_Rack_RH	562651	female
Sw41	Left_Hand_Console	562749	male	Sw77	Parcel_Rack_RH	562651	female
Sw42	5th_Lugg_Cmpt_	561635	female	Sw78	Parcel_Rack_RH	562651	female
Sw43	Service_Cmpt_	561690	male	Sw79	Parcel_Rack_RH	562651	female
Sw44.A		562403	female	Sw80	Parcel_Rack_RH	562651	female
Sw44.B		562403	female	Sw81.A	Dash	562905	male
Sw45.A	5th_Lugg_Cmpt_	562403	female	Sw81.B	Dash	562905	male
Sw45.B	5th_Lugg_Cmpt_	562403	female	Sw82.A	RJB	561457	female
Sw46.A	5th_Lugg_Cmpt_	562403	female	Sw82.B	RJB	561457	female
Sw46.B	5th_Lugg_Cmpt_	562403	female	Sw82.C	RJB	561457	female
Sw47.A	3rd_Lugg_Cmpt_	562403	female	Sw82.D	RJB	561457	female
Sw47.B	3rd_Lugg_Cmpt_	562403	female	Sw83.A	Dash	560082	female
Sw48.A	3rd_Lugg_Cmpt_	562403	female	Sw83.B	Dash	560815	female
Sw48.B	3rd_Lugg_Cmpt_	562403	female	Sw83.C	Dash	560082	female
Sw49.A	2nd_Lugg_Cmpt_	562403	female	Sw83.D	Dash	560815	female

# CONNECTORS LIST

No	Location	Part #	Gender	No	Location	Part #	Gender
Sw84.A	Service_Cmpt_	562477	male	VECF10	FJB	563181	male
Sw84.B	Service_Cmpt_	560488	female	VECF11	FJB	563184	male
Sw85	Left_Hand_Console	562749	male	VECF12	FJB	563187	male
Sw86	Parcel_Rack_RH	562651	female	VECR1	RJB	563186	male
Sw87	Parcel_Rack_RH	562651	female	VECR2	RJB	563183	male
Sw88	Parcel_Rack_RH	562651	female	VECR3	RJB	563185	male
Sw89	Parcel_Rack_RH	562651	female	VECR4	RJB	563182	male
Sw90	Parcel_Rack_RH	562651	female	VECR9	RJB	563448	male
Sw91	Parcel_Rack_RH	562651	female	VECR10	RJB	563181	male
Sw92	Parcel_Rack_RH	562651	female	VECR11		563184	male
Sw93	Parcel_Rack_RH	562651	female	VECR12		563187	male
Sw94.A		562403	female				
Sw94.B		562403	female				
Sw95.A	WCL_Door	561626	female				
Sw95.B	WCL_Door	561626	female				
Sw95.C	WCL_Door	561626	female				
Sw96.A	WCL_Door	561626	female				
Sw96.B	WCL_Door	561626	female				
Sw96.C	WCL_Door	561626	female				
Sw97.A	WCL_Door	561626	female				
Sw97.B	WCL_Door	561626	female				
Sw97.C	WCL_Door	561626	female				
Sw98.A	WCL_Door	561626	female				
Sw98.B	WCL_Door	561626	female				
Sw98.C	WCL_Door	561626	female				
Sw99	Dash	562763	male				
Sw100	Dash	562763	male				
Sw101.A		562763	male				
Sw102	Left_Hand_Console	562471	male				
Sw103		562957	male				
Sw125.A		561457	female				
Sw125.B		561457	female				
Sw126		562763	male				
Sw299		562763	male				
Sw300		562763	male				
Sw301		562763	male				
Sw302		562763	male				
sym570_67		3MEPS400	outofrange.				
VECF1	FJB	563186	male				
VECF2	FJB	563183	male				
VECF3	FJB	563185	male				
VECF4	FJB	563182	male				
VECF9		563448	male				

# CONNECTORS LIST

No	Location	Part #	Gender	No	Location	Part #	Gender
<Invalid>		563159	female	A31.B		561781	female
A1		563975	male	A32		563616	female
A2		563984	male	A33.A		564049	female
A3	Dash	562363	male	A33.B		564048	male
A4.A		562428	female	A33.C		562330	female
A4.B		561188	female	A34		563463	male
A5	Service_Cmpt_	562428	female	A35		563463	male
A6		563628	female	A36.JA	FJB	562767	male
A7		563979	male	A36.JB	FJB	562765	male
A9.Cx1		564041	female	A36.JC	FJB	562957	male
A9.Cx2		563697	male	A37		563463	male
A9.Cx3		564037	female	A38		563463	male
A9.Cx4		564038	female	A39.P101		563201	male
A10.X1	Engine_Cmpt_	563135	male	A39.P901		563953	male
A10.X3	Engine_Cmpt_	563134	female	A40.A		563071	male
A11	Left_Hand_Console	563142	male	A40.B		562706	female
A12	Dash	562464	male	A40.C		562624	female
A13.J1	FJB	562794	male	A40.D		562706	female
A13.J2	FJB	562650	male	A41.J1	FJB	562767	male
A14.CX	Dash	562957	male	A41.J2	FJB	563132	male
A14.CY	Dash	562765	male	A41.J3	FJB	562957	male
A14.LX	Dash	562766	male	A42.J1	FJB	562767	male
A14.LY	Dash	562767	male	A42.J2	FJB	563132	male
A14.RX	Dash	562767	male	A42.J3	FJB	562957	male
A15	Dash	562464	male	A43.J1	FJB	562767	male
A16	Front_Roof	561637	male	A43.J2	FJB	563132	male
A18.J1	FJB	562794	male	A43.J3	FJB	562957	male
A18.J2	FJB	562650	male	A44.J1	FJB	563133	male
A19	Left_Hand_Console	562878	female	A44.J2	FJB	563132	male
A20	Parcel_Rack_LH	561477	female	A44.J3	FJB	562957	male
A21	Rear_Axle_Cmpt_	kostalF	female	A45.J1	FJB	563133	male
A22	Left_Hand_Console	563338	male	A45.J2	FJB	563132	male
A23.A		563953	male	A45.J3	FJB	562957	male
A23.B		563697	male	A46.J1	FJB	563133	male
A24	Right_Hand_Console	561889	female	A46.J2	FJB	563132	male
A24.A	Right_Hand_Console	561890	male	A46.J3	FJB	562957	male
A24.B	Right_Hand_Console	561566	female	A47.J1	Right_Hand_Console	563133	male
A25		563025	male	A47.J2	Right_Hand_Console	563132	male
A27	Service_Cmpt_	562929	male	A47.J3	Right_Hand_Console	562957	male
A28	Service_Cmpt_	562928	male	A48.J1	Right_Hand_Console	563133	male
A29	Dash	562465	male	A48.J2	Right_Hand_Console	563132	male
A30		563226	male	A48.J3	Right_Hand_Console	562957	male
A31.A		561782	male	A49.J1	RJB	562767	male

# CONNECTORS LIST

No	Location	Part #	Gender	No	Location	Part #	Gender
A49.J2	RJB	563132	male	A68.C3		563958	male
A49.J3	RJB	562957	male	A68.D		563961	male
A50.J1	RJB	563133	male	A69.A		563071	male
A50.J2	RJB	563132	male	A69.B		561716	female
A50.J3	RJB	562957	male	A69.C		561716	female
A51.J1	RJB	563133	male	A69.D		561716	female
A51.J2	RJB	563132	male	A69.E		561716	female
A51.J3	RJB	562957	male	A69.F		561716	female
A52.J1	RJB	563133	male	A69.G		561716	female
A52.J2	RJB	563132	male	A69.H		561716	female
A52.J3	RJB	562957	male	A70		564011	female
A53.J1	RJB	563133	male	A70a		564011	male
A53.J2	RJB	563132	male	A71.A		562464	male
A53.J3	RJB	562957	male	A71.B		562706	female
A54.J1	Evap_Cmpt_	563133	male	A71.C		562706	female
A54.J2	Evap_Cmpt_	563132	male	A71.D		562706	female
A54.J3	Evap_Cmpt_	562957	male	A72.J1		563675	male
A60.A		562464	male	A72.J2		563678	male
A60.B		562706	female	A72.J3		563679	male
A60.C		562706	female	A72.J4		563680	male
A60.D		562706	female	A73.J1		563681	male
A61.A		562464	male	A73.J2		563684	male
A61.B		562465	male	A74		563207	male
A63.A		563960	male	Alt1.A		560815	female
A63.B		563962	male	Alt1.B		560815	female
A63.C		564009	male	Alt1.C		562862	female
A63.C1		563956	male	Alt2.A		560815	female
A63.C2		563957	male	Alt2.B		560815	female
A63.C3		563958	male	Alt2.C		562862	female
A63.D		563961	male	BOOM		560999	male
A64		563954	male	C1	Service_Cmpt_	563589	male
A65		562465	male	C1	Service_Cmpt_	563590	female
A66		561183	male	C1S	Service_Cmpt_	563589	male
A67.Vsa		563948	male	C1S	Service_Cmpt_	563590	female
A67.Vsb		563950	male	C2		563580	male
A67.Vsc		563947	male	C2		563581	female
A67.Vsd		563949	male	C3	RJB	563589	male
A67.Vse		563951	male	C3	RJB	563590	female
A68.A		563960	male	C3S		563589	male
A68.B		563962	male	C3S		563590	female
A68.C		564009	male	C4	Service_Cmpt_	563580	male
A68.C1		563956	male	C4	Service_Cmpt_	563581	female
A68.C2		563957	male	C5	Service Cmpt	563589	male

# CONNECTORS LIST

No	Location	Part #	Gender	No	Location	Part #	Gender
C5	Service_Cmpt_	563590	female	C29	5th_Lugg_Cmpt_	563651	male
C5S	Service_Cmpt_	563589	male	C29	5th_Lugg_Cmpt_	563652	female
C5S	Service_Cmpt_	563590	female	C30	5th_Lugg_Cmpt_	561710	male
C6	Service_Cmpt_	563582	male	C30	5th_Lugg_Cmpt_	561709	female
C6	Service_Cmpt_	563583	female	C31		561734	male
C7		562884	female	C31		561735	female
C7		562877	female	C32	5th_Lugg_Cmpt_	561550	male
C8		562884	female	C32	5th_Lugg_Cmpt_	561667	female
C8		562877	female	C33	RHFrontRoof	561550	male
C9	Evap_Cmpt_	561986	male	C33	RHFrontRoof	561667	female
C9	Evap_Cmpt_	561987	female	C34	Right_Hand_Console	561986	male
C10		562477	male	C34	Right_Hand_Console	561987	female
C10		562479	female	C35	RJB	562283	male
C11	Service_Cmpt_	563580	male	C35	RJB	562280	female
C11	Service_Cmpt_	563581	female	C36		561986	male
C13S	Right_Hand_Console	563589	male	C36		561987	female
C13S	Right_Hand_Console	563590	female	C37	Parcel_Rack_LH	562557	male
C14	Evap_Cmpt_	561986	male	C37	Parcel_Rack_LH	562558	female
C14	Evap_Cmpt_	561987	female	C38	Parcel_Rack_RH	562555	male
C15		561643	male	C38	Parcel_Rack_RH	562556	female
C15		561642	female	C39		562503	male
C16	RJB	561577	male	C39		562507	female
C16	RJB	561605	female	C40	Dash	562485	male
C17	RJB	561986	male	C40	Dash	562486	female
C17	RJB	561987	female	C41	RJB	561690	male
C18	FJB	561986	male	C41	RJB	561566	female
C18	FJB	561987	female	C43	Lavatory	561661	female
C19	RJB	561986	male	C43	Lavatory	561662	male
C19	RJB	561987	female	C44_plug	FJB	561577	male
C20		561668	male	C44_socket	FJB	561605	female
C20		561551	female	C45	FJB	561643	male
C21A	RJB	561646	male	C45	FJB	561642	female
C21A	RJB	561645	female	C46	FJB	561577	male
C21B	RJB	561646	male	C46	FJB	561605	female
C21B	RJB	561645	female	C47		561247	male
C22	RJB	561847	male	C47		561248	female
C22	RJB	561862	female	C48	Service_Cmpt_	561690	male
C23	5thLugg.Cmpt	561847	male	C48	Service_Cmpt_	561566	female
C23	5thLugg.Cmpt	561862	female	C51		562477	male
C24_plug	Evap_Cmpt_	561690	male	C51		562479	female
C24_socket	Evap_Cmpt_	561566	female	C53		561539	male
C25		561550	male	C53		561540	female
C25		561667	female	C55	Evap Cmpt	561577	male

# CONNECTORS LIST

No	Location	Part #	Gender	No	Location	Part #	Gender
C55	Evap_Cmpt_	561605	female	C123		561690	male
C66		561577	male	C123		561566	female
C66		561605	female	C124		561577	male
C67		561247	male	C124		561605	female
C67		561248	female	C125	Service_Cmpt_	562503	male
C70		562557	male	C125	Service_Cmpt_	562507	female
C70		562558	female	C126		562581	male
C71	Service_Cmpt_	561646	male	C126		562583	female
C71	Service_Cmpt_	561645	female	C127		563412	male
C72		561646	male	C127		563413	female
C72		561645	female	C128		563412	male
C74		561645	female	C128		563413	female
C74		561646	male	C129		563412	male
C78		561690	male	C129		563413	female
C78		561566	female	C130		563412	male
C82		562581	male	C130		563413	female
C82		562583	female	C131		563412	male
C87	Lavatory	561637	male	C131		563413	female
C87	Lavatory	561636	female	C132		563412	male
C91		562285	male	C132		563413	female
C91		562282	female	C133		563412	male
C92	FJB	561640	male	C133		563413	female
C92	FJB	561639	female	C134		563412	male
C100	5th_Lugg_Cmpt_	563589	male	C134		563413	female
C100	5th_Lugg_Cmpt_	563590	female	C141		561247	male
C100S	5th_Lugg_Cmpt_	563589	male	C141		561248	female
C100S	5th_Lugg_Cmpt_	563590	female	C144	UnderLHSeat	560852	male
C101	Service_Cmpt_	561690	male	C144	UnderLHSeat	560851	female
C101	Service_Cmpt_	561566	female	C150		561515	male
C102		561690	male	C150		561552	female
C102		561566	female	C152	CondensorCmpt.	561611	male
C103		562485	male	C152	CondensorCmpt.	561610	female
C103		562486	female	C155		561626	female
C105		562581	male	C155		561904	female
C105		562583	female	C168	Above_Rear_Axle	561890	male
C119	EngineDoor	561607	male	C168	Above_Rear_Axle	561889	female
C119	EngineDoor	561606	female	C171	Service_Cmpt_	561646	male
C120	EngineDoor	561607	male	C171	Service_Cmpt_	561645	female
C120	EngineDoor	561606	female	C183	Service_Cmpt_	561611	male
C121	EngineDoor	561690	male	C183	Service_Cmpt_	561610	female
C121	EngineDoor	561566	female	C193		563589	male
C122		561690	male	C193		563590	female
C122		561566	female	C194		563589	male

# CONNECTORS LIST

No	Location	Part #	Gender	No	Location	Part #	Gender
C194		563590	female	C284-6		564048	male
C206		562503	male	C284-6		564047	female
C206		562507	female	C298		561782	male
C207		562503	male	C298		561781	female
C207		562507	female	C298A		561782	male
C209		562503	male	C298A		561781	female
C209		562507	female	C298B		561782	male
C211		562503	male	C298B		561781	female
C211		562507	female	C302		563071	male
C212	WCL_Door	561515	male	C302		563040	female
C212	WCL_Door	561552	female	C380	Dash	563180	male
C230	Engine_Cmpt_	562485	male	C380	Dash	563347	female
C230	Engine_Cmpt_	562486	female	C381		561847	male
C239	Service_Cmpt_	561690	male	C381		561862	female
C239	Service_Cmpt_	561566	female	C382		561580	male
C240	Service_Cmpt_	561607	male	C382		561582	female
C240	Service_Cmpt_	561606	female	C394	FJB	560852	male
C242	Service_Cmpt_	562789	male	C394	FJB	560851	female
C242	Service_Cmpt_	565131	female	C397	RJB	562285	male
C243	Service_Cmpt_	562789	male	C397	RJB	562282	female
C243	Service_Cmpt_	565131	female	C403		561247	male
C246	Service_Cmpt_	563090	male	C403		561248	female
C246	Service_Cmpt_	563091	female	C404		561247	male
C260	Service_Cmpt_	561607	male	C404		561248	female
C260	Service_Cmpt_	561606	female	C405		561247	male
C269	RHConsole	563090	male	C405		561248	female
C269	RHConsole	563091	female	C426	EngineCmpt	561782	male
C279	Service_Cmpt_	562477	male	C426	EngineCmpt	561781	female
C279	Service_Cmpt_	562479	female	C430	LHConsole	562363	male
C279A		561690	male	C430	LHConsole	561188	female
C279A		561566	female	C452	Dash	561611	male
C284		561782	male	C452	Dash	561610	female
C284		561781	female	C463	Engine_Cmpt_	562570	female
C284-1		561782	male	C463	Engine_Cmpt_	562571	male
C284-1		561781	female	C464	RJB	563180	male
C284-2		561782	male	C464	RJB	563347	female
C284-2		561781	female	C465		562581	male
C284-3		561782	male	C465		562583	female
C284-3		561781	female	C506	FJB	561687	male
C284-4		561782	male	C506	FJB	561685	female
C284-4		561781	female	C542		561550	male
C284-5		561782	male	C542		561667	female
C284-5		561781	female	C558		562503	male



# CONNECTORS LIST

No	Location	Part #	Gender	No	Location	Part #	Gender
C558		562507	female	C720	Rear_Axle_Cmpt_	563359	female
C564		562503	male	C721	RJB	561515	male
C564		562507	female	C721	RJB	561552	female
C564-Sp		562503	male	C723	Rear_Axle_Cmpt_	562877	female
C564-Sp		562507	female	C723	Rear_Axle_Cmpt_	562884	female
C566		562503	male	C750		562707	male
C566		562507	female	C750		562706	female
C567		562503	male	C751		562707	male
C567		562507	female	C751		562706	female
C575	RrSectionRHHatRack	562503	male	C752		562707	male
C575	RrSectionRHHatRack	562507	female	C752		562706	female
C576	RrSectionRHHatRack	561550	male	C753		562707	male
C576	RrSectionRHHatRack	561667	female	C753		562706	female
C577	RrSectionLHHatRack	561550	male	C754		562707	male
C577	RrSectionLHHatRack	561667	female	C754		562706	female
C578	RrSectionLHHatRack	562503	male	C755		562707	male
C578	RrSectionLHHatRack	562507	female	C755		562706	female
C581	UnderdashBoard	562777	male	C758		562707	male
C582	FJB	561690	female	C758		562706	female
C582	FJB	561566	female	C759		562707	male
C589	Service_Cmpt_	563088	male	C759		562706	female
C589	Service_Cmpt_	563089	female	C760		562707	male
C590	RHConsole	563088	male	C760		562706	female
C590	RHConsole	563089	female	C761		562707	male
C601	LHRoofWinAjar	561476	male	C761		562706	female
C601	LHRoofWinAjar	561477	female	C762		562707	male
C602		561476	male	C762		562706	female
C602		561477	female	C763		562707	male
C603	RHRoofWinAjar	561476	male	C763		562706	female
C603	RHRoofWinAjar	561477	female	C764		562707	male
C611	Parcel_Rack_RH	562557	male	C764		562706	female
C611	Parcel_Rack_RH	562558	female	C765		562707	male
C612_plug	Parcel_Rack_RH	562555	male	C765		562706	female
C612_socket	Parcel_Rack_RH	562556	female	C766		561662	male
C613_plug	Parcel_Rack_RH	561550	male	C766		561661	female
C613_socket	Parcel_Rack_RH	561667	female	CSX1	Engine_Cmpt_	563135	male
C614		563071	male	CSX1	Engine_Cmpt_	563134	female
C614		563040	female	CSX3	Engine_Cmpt_	563135	male
C615		563071	male	CSX3	Engine_Cmpt_	563134	female
C615		563040	female	CT2		563226	male
C717		561646	male	CT2		563613	female
C717		561645	female	CT3		563224	male
C720	Rear Axle Cmpt	563358	male	CVSA plug		562503	male

# CONNECTORS LIST

No	Location	Part #	Gender	No	Location	Part #	Gender
CVSA_socket		562507	female	L20	Entrance_Door	562486	female
Drspk_Left.A		562651	female	L21.A	Front_Roof	561608	female
Drspk_Left.B		562290	female	L21.B	Front_Roof	562286	male
Drspk_Right.A		562651	female	L22.A	Front_Roof	561608	female
Drspk_Right.B		562290	female	L22.B	Front_Roof	562286	male
FUSE_BOX_1.A		562610	male	L23.A	Front_Roof	561608	female
FUSE_BOX_1.B		562610	male	L23.B	Front_Roof	562286	male
FUSE_BOX_2.A		562610	male	L24.A	Front_Roof	561608	female
FUSE_BOX_2.B		562610	male	L24.B	Front_Roof	562286	male
L.H.CONSOLE		560999	male	L25.A	Front_Roof	561608	female
L.H.MODESTYPANEL		560999	male	L25.B	Front_Roof	562286	male
L1	Service_Cmpt_	562848	male	L26.A	Front_Roof	561608	female
L2	Front_Roof	561247	male	L26.B	Front_Roof	562286	male
L3.A	Parcel_Rack_RH	562758	male	L27.A	Front_Roof	561608	female
L3.B	Parcel_Rack_RH	562759	male	L27.B	Front_Roof	562286	male
L4.A	Parcel_Rack_RH	562758	male	L28	Parcel_Rack_LH	560898	male
L4.B	Parcel_Rack_RH	562759	male	L29	Parcel_Rack_LH	560898	male
L5.A	Parcel_Rack_RH	562758	male	L30	Parcel_Rack_LH	560898	male
L5.B	Parcel_Rack_RH	562759	male	L31	Parcel_Rack_LH	560898	male
L6.A	Parcel_Rack_RH	562758	male	L32	Parcel_Rack_LH	560898	male
L6.B	Parcel_Rack_RH	562759	male	L33	Parcel_Rack_LH	560898	male
L7.A	Parcel_Rack_RH	562758	male	L34	Parcel_Rack_LH	560898	male
L7.B	Parcel_Rack_RH	562759	male	L35	Parcel_Rack_LH	560898	male
L8.A	Parcel_Rack_RH	562758	male	L36	Parcel_Rack_LH	560898	male
L8.B	Parcel_Rack_RH	562759	male	L37	Parcel_Rack_LH	560898	male
L9.A	Parcel_Rack_LH	562758	male	L38	Parcel_Rack_LH	560898	male
L9.B	Parcel_Rack_LH	562759	male	L39	Parcel_Rack_LH	560898	male
L10.A	Parcel_Rack_LH	562758	male	L40	Parcel_Rack_RH	560898	male
L10.B	Parcel_Rack_LH	562759	male	L41	Parcel_Rack_RH	560898	male
L11.A	Parcel_Rack_LH	562758	male	L42	Parcel_Rack_RH	560898	male
L11.B	Parcel_Rack_LH	562759	male	L43	Parcel_Rack_RH	560898	male
L12.A	Parcel_Rack_LH	562758	male	L44	Parcel_Rack_RH	560898	male
L12.B	Parcel_Rack_LH	562759	male	L45	Parcel_Rack_RH	560898	male
L13.A	Parcel_Rack_LH	562758	male	L46	Parcel_Rack_RH	560898	male
L13.B	Parcel_Rack_LH	562759	male	L47	Parcel_Rack_RH	560898	male
L14.A	Parcel_Rack_LH	562758	male	L48	Parcel_Rack_RH	560898	male
L14.B	Parcel_Rack_LH	562759	male	L49	Parcel_Rack_RH	560898	male
L15.A	Parcel_Rack_LH	562758	male	L50	Parcel_Rack_RH	560898	male
L15.B	Parcel_Rack_LH	562759	male	L51	Parcel_Rack_RH	560898	male
L16	Front_Roof	562803	male	L52	Driver_Area	560898	male
L17	Front_Roof	562803	male	L53	Passenger_Area	560898	male
L18		562486	female	L54	Passenger_Area	560898	male
L19	Entrance_Door	562486	female	L55	Passenger_Area	560898	male

# CONNECTORS LIST

No	Location	Part #	Gender	No	Location	Part #	Gender
L56	Passenger_Area	560898	male	L90.A	Rear_Roof	561608	female
L57	Passenger_Area	560898	male	L90.B	Rear_Roof	562286	male
L58	Passenger_Area	560898	male	L91	Engine_Cmpt_	562755	male
L59.A	Outside_Front_RH	562623	male	L92	Engine_Cmpt_	562755	male
L59.B	Outside_Front_RH	562623	male	L93.A		563069	female
L60.A	Outside_Front_LH	562623	male	L93.B		563069	female
L60.B	Outside_Front_LH	562623	male	L94.A		563069	female
L61	Outside_Front_RH	562601	male	L94.B		563069	female
L62	Outside_Front_LH	562601	male	L95	Outside_Front_LH	562902	female
L63	Outside_Front_RH	562155	male	L96	Outside_Front_RH	562902	female
L64	Outside_Front_RH	562155	male	L97.A		563069	female
L65	Outside_Front_LH	562155	male	L97.B		563069	female
L66	Outside_Front_LH	562155	male	L98.A		563069	female
L67	3rd_Lugg_Cmpt_	562155	male	L98.B		563069	female
L68	3rd_Lugg_Cmpt_	562155	male	L99	Parcel_Rack_LH	560898	male
L69	3rd_Lugg_Cmpt_	562155	male	L100	Parcel_Rack_LH	560898	male
L70	3rd_Lugg_Cmpt_	562155	male	L101	Parcel_Rack_LH	560898	male
L71	Rear_Engine_Door	562601	male	L102	Parcel_Rack_LH	560898	male
L72	Rear_Vehicle	562155	male	L103	Parcel_Rack_LH	560898	male
L73	Rear_Vehicle	562601	male	L104	Parcel_Rack_LH	560898	male
L74	Rear_Vehicle	562155	male	L105	Parcel_Rack_LH	560898	male
L75	Rear_Vehicle	562155	male	L106	Parcel_Rack_LH	560898	male
L76	Rear_Engine_Door	562155	male	L107	Parcel_Rack_LH	560898	male
L77	Rear_Engine_Door	562601	male	L108	Parcel_Rack_LH	560898	male
L78	Rear_Engine_Door	562601	male	L109	Parcel_Rack_LH	560898	male
L79	Rear_Engine_Door	562601	male	L110	Parcel_Rack_LH	560898	male
L80	Rear_Engine_Door	562601	male	L111	Parcel_Rack_LH	560898	male
L81.A	Rear_Engine_Door	562835	female	L112	Parcel_Rack_LH	560898	male
L81.B	Rear_Engine_Door	562834	male	L113	Parcel_Rack_RH	560898	male
L82	Rear_Engine_Door	562348	female	L114	Parcel_Rack_RH	560898	male
L83	Rear_Engine_Door	562348	female	L115	Parcel_Rack_RH	560898	male
L84.A	Rear_Roof	561608	female	L116	Parcel_Rack_RH	560898	male
L84.B	Rear_Roof	562286	male	L117	Parcel_Rack_RH	560898	male
L85.A	Rear_Roof	561608	female	L118	Parcel_Rack_RH	560898	male
L85.B	Rear_Roof	562286	male	L119	Parcel_Rack_RH	560898	male
L86.A	Rear_Roof	561608	female	L120	Parcel_Rack_RH	560898	male
L86.B	Rear_Roof	562286	male	L121	Parcel_Rack_RH	560898	male
L87.A	Rear_Roof	561608	female	L122	Parcel_Rack_RH	560898	male
L87.B	Rear_Roof	562286	male	L123	Parcel_Rack_RH	560898	male
L88.A	Rear_Roof	561608	female	L124	Parcel_Rack_RH	560898	male
L88.B	Rear_Roof	562286	male	L125	Parcel_Rack_RH	560898	male
L89.A	Rear_Roof	561608	female	L126	Parcel_Rack_RH	560898	male
L89.B	Rear_Roof	562286	male	L127	Parcel_Rack_RH	562758	male

# CONNECTORS LIST

No	Location	Part #	Gender	No	Location	Part #	Gender
L128	Parcel_Rack_RH	562758	male	L158.B	Parcel_Rack_LH	562505	female
L129	Parcel_Rack_RH	562758	male	L159.A	Parcel_Rack_RH	562756	male
L130	Parcel_Rack_RH	562758	male	L159.B		562505	female
L131	Parcel_Rack_RH	562758	male	L160.A	Parcel_Rack_RH	562756	male
L132	Parcel_Rack_RH	562758	male	L160.B	Parcel_Rack_RH	562505	female
L134	Parcel_Rack_LH	562758	male	L161.A	Parcel_Rack_RH	562756	male
L135	Parcel_Rack_LH	562758	male	L161.B	Parcel_Rack_RH	562505	female
L136	Parcel_Rack_LH	562758	male	L162.A	Parcel_Rack_RH	562756	male
L137	Parcel_Rack_LH	562758	male	L162.B	Parcel_Rack_RH	562505	female
L138	Parcel_Rack_LH	562758	male	L163.A	Parcel_Rack_RH	562756	male
L139	Parcel_Rack_LH	562758	male	L163.B	Parcel_Rack_RH	562505	female
L140	Lavatory	561247	male	L164.A	Parcel_Rack_RH	562756	male
L142	Lavatory	562803	male	L164.B	Parcel_Rack_RH	562505	female
L143	Front_Roof	561247	male	L165.A	Parcel_Rack_RH	562756	male
L144.A	Parcel_Rack_LH	562756	male	L165.B	Parcel_Rack_RH	562505	female
L144.B	Parcel_Rack_LH	562505	female	L166.A	Parcel_Rack_RH	562756	male
L145.A	Parcel_Rack_LH	562756	male	L166.B	Parcel_Rack_RH	562505	female
L145.B	Parcel_Rack_LH	562505	female	L167.A	Parcel_Rack_RH	562756	male
L146.A	Parcel_Rack_LH	562756	male	L167.B	Parcel_Rack_RH	562505	female
L146.B	Parcel_Rack_LH	562505	female	L168.A	Parcel_Rack_RH	562756	male
L147.A	Parcel_Rack_LH	562756	male	L168.B	Parcel_Rack_RH	562505	female
L147.B	Parcel_Rack_LH	562505	female	L169.A	Parcel_Rack_RH	562756	male
L148.A	Parcel_Rack_LH	562756	male	L169.B	Parcel_Rack_RH	562505	female
L148.B		562505	female	L170.A	Parcel_Rack_RH	562756	male
L149.A	Parcel_Rack_LH	562756	male	L170.B	Parcel_Rack_RH	562505	female
L149.B	Parcel_Rack_LH	562505	female	L171.A	Parcel_Rack_RH	562756	male
L150.A	Parcel_Rack_LH	562756	male	L171.B	Parcel_Rack_RH	562505	female
L150.B	Parcel_Rack_LH	562505	female	L172	Parcel_Rack_RH	562756	male
L151.A	Parcel_Rack_LH	562756	male	L172.B	Parcel_Rack_RH	562505	female
L151.B	Parcel_Rack_LH	562505	female	L173	Engine_Cmpt_	563268	male
L152.A	Parcel_Rack_LH	562756	male	L174	Engine_Cmpt_	563268	male
L152.B	Parcel_Rack_LH	562505	female	L175	RJB	561247	male
L153.A	Parcel_Rack_LH	562756	male	L176	5th_Lugg_Cmpt_	561247	male
L153.B	Parcel_Rack_LH	562505	female	L177	5th_Lugg_Cmpt_	561247	male
L154.A	Parcel_Rack_LH	562756	male	L178	3rd_Lugg_Cmpt_	561247	male
L154.B	Parcel_Rack_LH	562505	female	L179	3rd_Lugg_Cmpt_	561247	male
L155.A	Parcel_Rack_LH	562756	male	L180	2nd_Lugg_Cmpt_	561247	male
L155.B	Parcel_Rack_LH	562505	female	L181	2nd_Lugg_Cmpt_	561247	male
L156.A	Parcel_Rack_LH	562756	male	L182	1st_Lugg_Cmpt_	561247	male
L156.B	Parcel_Rack_LH	562505	female	L183	1st_Lugg_Cmpt_	561247	male
L157.A	Parcel_Rack_LH	562756	male	L184	Service_Cmpt_	561247	male
L157.B	Parcel_Rack_LH	562505	female	L187	Engine_Cmpt_	561690	male
L158.A	Parcel_Rack_LH	562756	male	L188	Service Cmpt	562486	female

# CONNECTORS LIST

No	Location	Part #	Gender	No	Location	Part #	Gender
L189	Outside_Front_RH	562069	male	L220.B	Parcel_Rack_LH	561248	female
L190	Outside_Front_LH	562069	male	L221.A	Parcel_Rack_LH	561248	female
L192	Parcel_Rack_LH	560898	male	L221.B	Parcel_Rack_LH	561248	female
L193.A	Dash	560488	female	L222.A	Parcel_Rack_LH	561248	female
L193.B	Dash	560488	female	L222.B	Parcel_Rack_LH	561248	female
L194.A	Left_Hand_Console	562019	female	L223.A	Parcel_Rack_LH	561248	female
L194.B	Left_Hand_Console	560488	female	L223.B	Parcel_Rack_LH	561248	female
L195.A	Dash	560488	female	L224.A	Parcel_Rack_LH	561248	female
L195.B	Dash	560488	female	L224.B	Parcel_Rack_LH	561248	female
L199	Engine_Cmpt_	562471	male	L225.A	Parcel_Rack_LH	561248	female
L200	Engine_Cmpt_	562471	male	L225.B	Parcel_Rack_LH	561248	female
L201	Front_Roof	561247	male	L226	Parcel_Rack_RH	562758	male
L202	Front_Roof	561247	male	L227	Parcel_Rack_RH	562758	male
L203		561690	male	L228	Parcel_Rack_RH	562758	male
L205	Evap_Cmpt_	562485	male	L229	Parcel_Rack_RH	562758	male
L206	Parcel_Rack_RH	562803	male	L230	Parcel_Rack_RH	562758	male
L207.A	5th_Lugg_Cmpt_	561699	female	L231	Parcel_Rack_RH	562758	male
L207.B	5th_Lugg_Cmpt_	561699	female	L232.A	Parcel_Rack_RH	562758	male
L207.C	5th_Lugg_Cmpt_	561701	female	L232.B	Parcel_Rack_RH	562759	male
L207.D	5th_Lugg_Cmpt_	561699	female	L233.A	Parcel_Rack_RH	562758	male
L207.E	5th_Lugg_Cmpt_	561701	female	L233.B	Parcel_Rack_RH	562759	male
L207.F	5th_Lugg_Cmpt_	561699	female	L234.A	Parcel_Rack_RH	562758	male
L207.G	5th_Lugg_Cmpt_	561699	female	L234.B	Parcel_Rack_RH	562759	male
L207.H	5th_Lugg_Cmpt_	560926	female	L235.A	Parcel_Rack_RH	562758	male
L207.I	5th_Lugg_Cmpt_	560926	female	L235.B	Parcel_Rack_RH	562759	male
L208	Outside_Front_LH	563088	male	L236.A	Parcel_Rack_RH	562758	male
L209	Outside_Front_RH	563088	male	L236.B	Parcel_Rack_RH	562759	male
L211	Entrance_Door	562486	female	L238.A	Parcel_Rack_RH	561248	female
L213.A	Parcel_Rack_RH	561248	female	L238.B	Parcel_Rack_RH	561248	female
L213.B	Parcel_Rack_RH	561248	female	L239.A	Parcel_Rack_RH	561248	female
L214.A	Parcel_Rack_RH	561248	female	L239.B	Parcel_Rack_RH	561248	female
L214.B	Parcel_Rack_RH	561248	female	L240.A	Parcel_Rack_RH	561248	female
L215.A	Parcel_Rack_RH	561248	female	L240.B	Parcel_Rack_RH	561248	female
L215.B	Parcel_Rack_RH	561248	female	L241.A	Parcel_Rack_RH	561248	female
L216.A	Parcel_Rack_RH	561248	female	L241.B	Parcel_Rack_RH	561248	female
L216.B	Parcel_Rack_RH	561248	female	L242.A	Parcel_Rack_RH	561248	female
L217.A	Parcel_Rack_RH	561248	female	L242.B	Parcel_Rack_RH	561248	female
L217.B	Parcel_Rack_RH	561248	female	L244.A	Parcel_Rack_RH	562756	male
L218.A	Parcel_Rack_RH	561248	female	L244.B		562505	female
L218.B	Parcel_Rack_RH	561248	female	L245.A	Parcel_Rack_RH	562756	male
L219.A	Parcel_Rack_LH	561248	female	L245.B		562505	female
L219.B	Parcel_Rack_LH	561248	female	L246.A	Parcel_Rack_RH	562756	male
L220.A	Parcel_Rack_LH	561248	female	L246.B		562505	female

# CONNECTORS LIST

No	Location	Part #	Gender	No	Location	Part #	Gender
L247.A	Parcel_Rack_RH	562756	male	L280	Parcel_Rack_RH	560898	male
L247.B		562505	female	L281	Parcel_Rack_RH	560898	male
L248.A	Parcel_Rack_RH	562756	male	L282	Rear_Axle_Cmpt_	561690	male
L248.B		562505	female	L285		562251	male
L249.A		562756	male	L293.A		560081	female
L249.B		562505	female	L293.B		560081	female
L250.A		562756	male	L294.A		560081	female
L250.B		562505	female	L294.B		560081	female
L251.A		562756	male	L295		562251	male
L251.B		562505	female	Mo1	Engine_Cmpt_	561690	female
L252.A		562756	male	Mo2	Engine_Cmpt_	561782	male
L252.B		562505	female	Mo3	Dash	561667	female
L253.A		562756	male	Mo4	Dash	562076	male
L253.B		562505	female	Mo5	Front_Roof	561550	female
L254.A		562756	male	Mo6	Service_Cmpt_	561690	male
L254.B		562505	female	Mo7.A		560102	female
L255.A		562756	male	Mo7.B		560102	female
L255.B		562505	female	Mo10	Parcel_Rack_LH	561515	male
L256.A		562756	male	Mo11	Parcel_Rack_RH	561515	male
L256.B		562505	female	Mo12	Evap_Cmpt_	561690	male
L257.A		562756	male	Mo13	Engine_Cmpt_	561690	female
L257.B		562505	female	Mo14	Parcel_Rack_RH	561566	female
L258	Parcel_Rack_RH	560898	male	Mo15	Front_Roof	560900	female
L259	Parcel_Rack_RH	560898	male	Mo16	Front_Roof	560900	female
L260	Parcel_Rack_RH	560898	male	Mo17		563626	male
L261	Parcel_Rack_RH	560898	male	Mo18		562474	male
L262	Parcel_Rack_RH	560898	male	Mo19		562474	male
L263	Parcel_Rack_RH	560898	male	Mo20		562474	male
L264	Parcel_Rack_RH	560898	male	Mo21	Front_Roof	561186	male
L266	Parcel_Rack_RH	560898	male	Mo22	Right_Hand_Console	561186	male
L267	Parcel_Rack_RH	560898	male	Mo24	Right_Hand_Console	562348	female
L268	Parcel_Rack_RH	560898	male	Mo25	Right_Hand_Console	562348	female
L269	Parcel_Rack_RH	560898	male	Mo54		562474	male
L270	Parcel_Rack_RH	560898	male	P36.A	Engine_Cmpt_	561701	female
L271	Parcel_Rack_RH	560898	male	P36.B	Engine_Cmpt_	561701	female
L272	Parcel_Rack_RH	560898	male	P36.C	Engine_Cmpt_	561701	female
L273	Parcel_Rack_RH	560898	male	Pot1.A	Dash	560488	female
L274	Parcel_Rack_RH	560898	male	Pot1.B	Dash	560488	female
L275	Parcel_Rack_RH	560898	male	Pot1.C	Dash	560488	female
L276	Parcel_Rack_RH	560898	male	R-12VISS		561183	male
L277	Parcel_Rack_RH	560898	male	R.H.CONSOLE		560999	male
L278	Parcel_Rack_RH	560898	male	R.H.MODESTYPANEL		560999	male
L279	Parcel_Rack_RH	560898	male	R2	RJB	561183	male

# CONNECTORS LIST

No	Location	Part #	Gender	No	Location	Part #	Gender
R3	RJB	563409	male	Se9	Window_LH	561477	female
R4		561183	male	Se10	Window_LH	561477	female
R5	RJB	561183	male	Se11.A	Cond_Cmpt_	560082	male
R6	RJB	561183	male	Se11.B	Cond_Cmpt_	560082	male
R9	Evap_Cmpt_	563409	male	Se11.C	Cond_Cmpt_	560082	male
R10	Evap_Cmpt_	563409	male	Se12	Engine_Cmpt_	561690	female
R11	RJB	561183	male	Se13	Engine_Cmpt_	562350	male
R12	Evap_Cmpt_	563409	male	Se14.A	Driver_Area	561782	male
R13	RJB	561183	male	Se14.B	Driver_Area	561781	female
R14	RJB	562367	male	Se15	Right_Hand_Console	560898	male
R15	RJB	561183	male	Se16	Entrance_Door	562348	female
R16	Dash	561183	male	Se17	Entrance_Door	560081	female
R17	RJB	562367	male	Se18.A	Service_Cmpt_	560815	female
R18	FJB	562367	male	Se19		563677	male
R19	FJB	562367	male	Se19A		563677	male
R20	Evap_Cmpt_	561183	male	Se20	Evap_Cmpt_	562426	male
R22		561183	male	Se21	Dash	561248	female
R23	Right_Hand_Console	561183	male	Se23	Engine_Cmpt_	563159	male
R24	FJB	561183	male	Se24	Engine_Cmpt_	563159	male
R25	RJB	561183	male	Se25	Passenger_Area	561248	female
R26	Cond_Cmpt_	561183	male	Se26	Service_Cmpt_	561690	female
R27		561183	male	Se27	Front_Axle_Cmpt_	561111	female
R35		561183	male	Se28		561690	male
R36		561183	male	Se29		561566	female
R37		561183	male	Se30	Engine_Cmpt_	561690	female
R_AMPLI		562367	male	Se31	Engine_Cmpt_	561690	female
R_Flip		561183	male	Se32	Engine_Cmpt_	563057	male
R_Tv		561183	male	Se33	Engine_Cmpt_	562856	male
Res3		563590	female	Se34	Engine_Cmpt_	563057	male
Res4		563590	female	Se35	Engine_Cmpt_	563057	male
Res5	Dash	563590	female	Se36		563629	female
Res6		563590	female	Se37		641132	female
Res7	FJB	563590	female	Se38		641132	female
Res12	Engine_Cmpt_	563590	female	Se39		641132	female
Res15	RJB	561782	male	Se40		641132	female
Se1	Engine_Cmpt_	562486	female	Se41	Engine_Cmpt_	562486	female
Se2	Engine_Cmpt_	562486	female	Se43		563340	male
Se3	RJB	562486	female	Se44.A		560082	female
Se4	Window_RH	561477	female	Se44.B		560082	female
Se5	Window_RH	561477	female	Se45		563409	male
Se6	Window_RH	561477	female	Se46		562348	female
Se7	Window_LH	561477	female	Se60		563409	male
Se8	Window LH	561477	female	Se63		641132	female

# CONNECTORS LIST

No	Location	Part #	Gender	No	Location	Part #	Gender
Se64		641132	female	Spk5_L		563994	male
Se65		564042	female	Spk5_R		563994	male
Se66		564039	female	Spk6_L		563994	male
Se67		563159	female	Spk6_R		563994	male
Se68		563159	female	Spk7_L		563994	male
Se69		563159	female	Spk7_R		563994	male
So1	Engine_Cmpt_	561566	female	Spk8_L		563994	male
So3		641385	male	Spk8_R		563994	male
So4		641385	male	Spk9_L		563994	male
So5		641385	male	Spk9_R		563994	male
So6		641385	male	Spk10_L		563994	male
So7	Service_Cmpt_	561566	male	Spk10_R		563994	male
So8	Service_Cmpt_	563204	female	Spk11_L		563994	male
So9	Engine_Cmpt_	561566	female	Spk11_R		563994	male
So10	Cond_Cmpt_	562485	male	Spk12_L		563994	male
So11	Cond_Cmpt_	561566	female	Spk12_R		563994	male
So12	Evap_Cmpt_	561566	female	Spk13_L		563994	male
So13	Evap_Cmpt_	563204	female	Spk13_R		563994	male
So14		564045	female	Spk14_L		563994	male
So15		564045	female	Spk14_R		563994	male
So16		564045	female	Spk15_L		563994	male
So17		564045	female	Spk15_R		563994	male
So18		641385	male	Spk16_L		563994	male
So19		641385	male	Spk16_R		563994	male
So20		564045	female	SpkDr_L.A		562651	female
So21		564046	female	SpkDr_L.B		562290	female
So22		564046	female	SpkDr_R.A		562651	female
So23		564046	female	SpkDr_R.B		562290	female
So24		564046	female	Sub1.A		564004	female
So25		641949	male	Sub2		564004	female
So26		564045	female	Sw1.C258		561188	female
So27		564045	female	Sw1.C259		561186	male
So50		564046	female	Sw2	Dash	562763	male
So51		564046	female	Sw3	Dash	562763	male
So52		564045	female	Sw4	Dash	562763	male
Spk1_L		563994	male	Sw5	Dash	562763	male
Spk1_R		563994	male	Sw6		562763	male
Spk2_L		563994	male	Sw7.A	Cond_Cmpt_	562403	female
Spk2_R		563994	male	Sw7.B	Cond_Cmpt_	562403	female
Spk3_L		563994	male	Sw8	Dash	562763	male
Spk3_R		563994	male	Sw9	Dash	562763	male
Spk4_L		563994	male	Sw10	Dash	562763	male
Spk4_R		563994	male	Sw11	Dash	562763	male



# CONNECTORS LIST

No	Location	Part #	Gender	No	Location	Part #	Gender
Sw12		562763	male	Sw49.B	2nd_Lugg_Cmpt_	562403	female
Sw13	Dash	562763	male	Sw50.A	2nd_Lugg_Cmpt_	562403	female
Sw14	Dash	562763	male	Sw50.B	2nd_Lugg_Cmpt_	562403	female
Sw15	Dash	562763	male	Sw51.A	1st_Lugg_Cmpt_	562403	female
Sw16	Dash	562763	male	Sw51.B	1st_Lugg_Cmpt_	562403	female
Sw17	Dash	562763	male	Sw52	1st_Lugg_Cmpt_	562403	female
Sw18	Dash	562763	male	Sw52.B	1st_Lugg_Cmpt_	562403	female
Sw20	Dash	562763	male	Sw53	Parcel_Rack_LH	562651	female
Sw21	Dash	562763	male	Sw55.A	Lavatory	560488	female
Sw22	Dash	562763	male	Sw55.B	Lavatory	560488	female
Sw23	Dash	562763	male	Sw56.A	Lavatory	560488	female
Sw24	Dash	562763	male	Sw56.B	Lavatory	560488	female
Sw25	Dash	562763	male	Sw57	WCL_Door	563543	male
Sw26	Dash	562763	male	Sw58	Engine_Cmpt_	562581	male
Sw27	Dash	562763	male	Sw59	Engine_Cmpt_	562485	male
Sw28	Left_Hand_Console	562763	male	Sw60	Engine_Cmpt_	561566	female
Sw29	Dash	562763	male	Sw64.A	Service_Cmpt_	560815	female
Sw30		561566	female	Sw65	Parcel_Rack_LH	562651	female
Sw31	WCL_Door	563543	male	Sw66	Parcel_Rack_LH	562651	female
Sw32	Dash	561477	female	Sw67	Parcel_Rack_LH	562651	female
Sw33	Dash	561476	male	Sw68	Parcel_Rack_LH	562651	female
Sw34	Outside_Front_RH	562477	male	Sw69	Parcel_Rack_LH	562651	female
Sw35	Dash	562763	male	Sw70	Parcel_Rack_LH	562651	female
Sw36	Left_Hand_Console	562763	male	Sw71	Parcel_Rack_LH	562651	female
Sw37	Left_Hand_Console	562763	male	Sw72	Parcel_Rack_LH	562651	female
Sw38	Left_Hand_Console	562763	male	Sw73	Parcel_Rack_RH	562651	female
Sw39.A		562403	female	Sw74	Parcel_Rack_RH	562651	female
Sw39.B		562403	female	Sw75	Parcel_Rack_RH	562651	female
Sw40	Left_Hand_Console	561690	male	Sw76	Parcel_Rack_RH	562651	female
Sw41	Left_Hand_Console	562749	male	Sw77	Parcel_Rack_RH	562651	female
Sw42	5th_Lugg_Cmpt_	561635	female	Sw78	Parcel_Rack_RH	562651	female
Sw43	Service_Cmpt_	561690	male	Sw79	Parcel_Rack_RH	562651	female
Sw44.A		562403	female	Sw80	Parcel_Rack_RH	562651	female
Sw44.B		562403	female	Sw81.A	Dash	562905	male
Sw45.A	5th_Lugg_Cmpt_	562403	female	Sw81.B	Dash	562905	male
Sw45.B	5th_Lugg_Cmpt_	562403	female	Sw82.A	RJB	561457	female
Sw46.A	5th_Lugg_Cmpt_	562403	female	Sw82.B	RJB	561457	female
Sw46.B	5th_Lugg_Cmpt_	562403	female	Sw82.C	RJB	561457	female
Sw47.A	3rd_Lugg_Cmpt_	562403	female	Sw82.D	RJB	561457	female
Sw47.B	3rd_Lugg_Cmpt_	562403	female	Sw83.A	Dash	560082	female
Sw48.A	3rd_Lugg_Cmpt_	562403	female	Sw83.B	Dash	560815	female
Sw48.B	3rd_Lugg_Cmpt_	562403	female	Sw83.C	Dash	560082	female
Sw49.A	2nd_Lugg_Cmpt_	562403	female	Sw83.D	Dash	560815	female

# CONNECTORS LIST

No	Location	Part #	Gender	No	Location	Part #	Gender
Sw84.A	Service_Cmpt_	562477	male	VECF10	FJB	563181	male
Sw84.B	Service_Cmpt_	560488	female	VECF11	FJB	563184	male
Sw85	Left_Hand_Console	562749	male	VECF12	FJB	563187	male
Sw86	Parcel_Rack_RH	562651	female	VECR1	RJB	563186	male
Sw87	Parcel_Rack_RH	562651	female	VECR2	RJB	563183	male
Sw88	Parcel_Rack_RH	562651	female	VECR3	RJB	563185	male
Sw89	Parcel_Rack_RH	562651	female	VECR4	RJB	563182	male
Sw90	Parcel_Rack_RH	562651	female	VECR9	RJB	563448	male
Sw91	Parcel_Rack_RH	562651	female	VECR10	RJB	563181	male
Sw92	Parcel_Rack_RH	562651	female	VECR11		563184	male
Sw93	Parcel_Rack_RH	562651	female	VECR12		563187	male
Sw94.A		562403	female				
Sw94.B		562403	female				
Sw95.A	WCL_Door	561626	female				
Sw95.B	WCL_Door	561626	female				
Sw95.C	WCL_Door	561626	female				
Sw96.A	WCL_Door	561626	female				
Sw96.B	WCL_Door	561626	female				
Sw96.C	WCL_Door	561626	female				
Sw97.A	WCL_Door	561626	female				
Sw97.B	WCL_Door	561626	female				
Sw97.C	WCL_Door	561626	female				
Sw98.A	WCL_Door	561626	female				
Sw98.B	WCL_Door	561626	female				
Sw98.C	WCL_Door	561626	female				
Sw99	Dash	562763	male				
Sw100	Dash	562763	male				
Sw101.A		562763	male				
Sw102	Left_Hand_Console	562471	male				
Sw103		562957	male				
Sw125.A		561457	female				
Sw125.B		561457	female				
Sw126		562763	male				
Sw299		562763	male				
Sw300		562763	male				
Sw301		562763	male				
Sw302		562763	male				
sym570_67		3MEPS400	outofrange.				
VECF1	FJB	563186	male				
VECF2	FJB	563183	male				
VECF3	FJB	563185	male				
VECF4	FJB	563182	male				
VECF9		563448	male				

# CONNECTORS LIST

No	Location	Part #	Gender	No	Location	Part #	Gender
<Invalid>		562471	male	A31.A		561782	male
<Invalid>		562348	female	A31.B		561781	female
A1		563975	male	A32		563618	male
A2		563984	male	A32		563616	female
A3	Dash	562363	male	A33.A		564004	female
A4.A		562428	female	A33.B		562330	female
A4.B		561188	female	A34		563463	male
A5	Service_Cmpt_	562428	female	A35		563463	male
A6		563628	female	A36.JA	FJB	562767	male
A7		563979	male	A36.JB	FJB	562765	male
A9.Cx1		564041	female	A36.JC	FJB	562957	male
A9.Cx2		563678	male	A37		563463	male
A9.Cx3		564037	female	A38		563463	male
A9.Cx4		564038	female	A39.P101		563201	male
A10.X1	Engine_Cmpt_	563135	male	A39.P901		563953	male
A10.X3	Engine_Cmpt_	563134	female	A41.J1	FJB	562767	male
A11	Left_Hand_Console	563142	male	A41.J2	FJB	563132	male
A12	Dash	562464	male	A41.J3	FJB	562957	male
A13.J1	FJB	562794	male	A42.J1	FJB	562767	male
A13.J2	FJB	562650	male	A42.J2	FJB	563132	male
A14.CX	Dash	562957	male	A42.J3	FJB	562957	male
A14.CY	Dash	562765	male	A43.J1	FJB	562767	male
A14.LX	Dash	562766	male	A43.J2	FJB	563132	male
A14.LY	Dash	562767	male	A43.J3	FJB	562957	male
A14.RX	Dash	562767	male	A44.J1	FJB	563133	male
A15	Dash	562464	male	A44.J2	FJB	563132	male
A16	Front_Roof	561637	male	A44.J3	FJB	562957	male
A18.J1	FJB	562794	male	A45.J1	FJB	563133	male
A18.J2	FJB	562650	male	A45.J2	FJB	563132	male
A19	Left_Hand_Console	562878	female	A45.J3	FJB	562957	male
A20	Parcel_Rack_LH	561477	female	A46.J1	FJB	563133	male
A21	Rear_Axle_Cmpt_	kostalF	female	A46.J2	FJB	563132	male
A22	Left_Hand_Console	563338	male	A46.J3	FJB	562957	male
A23.A		563678	male	A47.J1	Right_Hand_Console	563133	male
A23.B		563953	male	A47.J2	Right_Hand_Console	563132	male
A24	Right_Hand_Console	561889	female	A47.J3	Right_Hand_Console	562957	male
A24.A	Right_Hand_Console	561890	male	A48.J1	Right_Hand_Console	563133	male
A24.B	Right_Hand_Console	561566	female	A48.J2	Right_Hand_Console	563132	male
A25		563025	male	A48.J3	Right_Hand_Console	562957	male
A27	Service_Cmpt_	562929	male	A49.J1	RJB	562767	male
A28	Service_Cmpt_	562928	male	A49.J2	RJB	563132	male
A29		562464	male	A49.J3	RJB	562957	male
A30		563226	male	A50.J1	RJB	563133	male

# CONNECTORS LIST

No	Location	Part #	Gender	No	Location	Part #	Gender
A50.J2	RJB	563132	male	A69.C		561716	female
A50.J3	RJB	562957	male	A69.D		561716	female
A51.J1	RJB	563133	male	A69.E		561716	female
A51.J2	RJB	563132	male	A69.F		561716	female
A51.J3	RJB	562957	male	A69.G		561716	female
A52.J1	RJB	563133	male	A69.H		561716	female
A52.J2	RJB	563132	male	A70		564011	female
A52.J3	RJB	562957	male	A70a		564011	male
A53.J1	RJB	563133	male	A71.A		562464	male
A53.J2	RJB	563132	male	A71.B		562706	female
A53.J3	RJB	562957	male	A71.C		562706	female
A54.J1	Evap_Cmpt_	563133	male	A71.D		562706	female
A54.J2	Evap_Cmpt_	563132	male	A72.J1		563675	male
A54.J3	Evap_Cmpt_	562957	male	A72.J2		563678	male
A55.J1		562767	male	A72.J3		563679	male
A55.J2		563132	male	A72.J4		563680	male
A55.J3		562957	male	A73.J1		563681	male
A60.A		562464	male	A73.J2		563684	male
A60.B		562706	female	A74		563207	male
A60.C		562706	female	A75.A		563960	male
A60.D		562706	female	A75.B		563962	male
A60.E		562706	female	A75.C		901135	male
A60.F		562706	female	A79		564033	female
A61.A		562464	male	A81.JA		562767	male
A61.B		562465	male	A81.JB		562765	male
A63.A		563960	male	A81.JC		562957	male
A63.B		563962	male	A82		563739	male
A63.C		564009	male	A83		562767	male
A63.D		563961	male	A92.A		561626	female
A64		563954	male	A92.B		562549	male
A65		562465	male	A92.C		562556	female
A66		561183	male	A92.D		562706	female
A67.Vsa		563948	male	A92.E		562706	female
A67.Vsb		563950	male	A92.F		562706	female
A67.Vsc		563947	male	A92.G		562706	female
A67.Vsd		563949	male	A93.A		562559	female
A67.Vse		563951	male	A93.B		562559	female
A68.A		563960	male	A93.C		562559	female
A68.B		563962	male	A94.A		560852	male
A68.C		564009	male	A94.B		562706	female
A68.D		563961	male	A94.C		562706	female
A69.A		563071	male	A96		564073	female
A69.B		561716	female	A96 0 2		564073	female

# CONNECTORS LIST

No	Location	Part #	Gender	No	Location	Part #	Gender
A97		563226	male	C13S	Right_Hand_Console	563589	male
A100		563758	female	C13S	Right_Hand_Console	563590	female
A101		563758	female	C14	Evap_Cmpt_	561986	male
A102		563758	female	C14	Evap_Cmpt_	561987	female
A103		562070	female	C15		561643	male
A104		562649	female	C15		561642	female
A105		562649	female	C16	RJB	561577	male
A106		562649	female	C16	RJB	561605	female
Alt1.A		563746	female	C17	RJB	561986	male
Alt1.B		560815	female	C17	RJB	561987	female
Alt1.C		563746	female	C18	FJB	561986	male
Alt2.A		563746	female	C18	FJB	561987	female
Alt2.B		560815	female	C19	RJB	561986	male
Alt2.C		563746	female	C19	RJB	561987	female
BOOM		560999	male	C20		561668	male
C1	Service_Cmpt_	563589	male	C20		561551	female
C1	Service_Cmpt_	563590	female	C21A	RJB	561646	male
C1S	Service_Cmpt_	563589	male	C21A	RJB	561645	female
C1S	Service_Cmpt_	563590	female	C21B	RJB	561646	male
C2		563580	male	C21B	RJB	561645	female
C2		563581	female	C22	RJB	561847	male
C3	RJB	563589	male	C22	RJB	561862	female
C3	RJB	563590	female	C23	5thLugg.Cmpt	561847	male
C3S		563589	male	C23	5thLugg.Cmpt	561862	female
C3S		563590	female	C24_plug	Evap_Cmpt_	561690	male
C4	Service_Cmpt_	563580	male	C24_socket	Evap_Cmpt_	561566	female
C4	Service_Cmpt_	563581	female	C25		561550	male
C5	Service_Cmpt_	563589	male	C25		561667	female
C5	Service_Cmpt_	563590	female	C29	5th_Lugg_Cmpt_	563651	male
C5S	Service_Cmpt_	563589	male	C29	5th_Lugg_Cmpt_	563652	female
C5S	Service_Cmpt_	563590	female	C30	5th_Lugg_Cmpt_	561710	male
C6	Service_Cmpt_	563582	male	C30	5th_Lugg_Cmpt_	561709	female
C6	Service_Cmpt_	563583	female	C31		561734	male
C7		563589	female	C31		561735	female
C7		563590	female	C32	5th_Lugg_Cmpt_	561550	male
C8		563589	female	C32	5th_Lugg_Cmpt_	561667	female
C8		563590	female	C33	RHFrontRoof	561550	male
C9	Evap_Cmpt_	561986	male	C33	RHFrontRoof	561667	female
C9	Evap_Cmpt_	561987	female	C34	Right_Hand_Console	561986	male
C10		562477	male	C34	Right_Hand_Console	561987	female
C10		562479	female	C35	RJB	562283	male
C11	Service_Cmpt_	563580	male	C35	RJB	562280	female
C11	Service_Cmpt	563581	female	C37	Parcel Rack LH	562557	male

# CONNECTORS LIST

No	Location	Part #	Gender	No	Location	Part #	Gender
C37	Parcel_Rack_LH	562558	female	C74		561646	male
C38	Parcel_Rack_RH	562555	male	C78		561690	male
C38	Parcel_Rack_RH	562556	female	C78		561566	female
C39		562503	male	C82		562581	male
C39		562507	female	C82		562583	female
C40	Dash	562485	male	C87	Lavatory	561637	male
C40	Dash	562486	female	C87	Lavatory	561636	female
C41	RJB	561690	male	C91		562285	male
C41	RJB	561566	female	C91		562282	female
C43	Lavatory	561661	female	C92		561734	male
C43	Lavatory	561662	male	C92		561735	female
C44_plug	FJB	561577	male	C96		561643	male
C44_socket	FJB	561605	female	C96		561642	female
C45	FJB	561643	male	C97		561583	male
C45	FJB	561642	female	C97		561585	female
C46	FJB	561577	male	C100	5th_Lugg_Cmpt_	563589	male
C46	FJB	561605	female	C100	5th_Lugg_Cmpt_	563590	female
C47		561247	male	C100S	5th_Lugg_Cmpt_	563589	male
C47		561248	female	C100S	5th_Lugg_Cmpt_	563590	female
C48	Service_Cmpt_	561690	male	C101	Service_Cmpt_	561690	male
C48	Service_Cmpt_	561566	female	C101	Service_Cmpt_	561566	female
C49		562005	male	C102		561690	male
C49		561714	female	C102		561566	female
C51		562477	male	C103		562485	male
C51		562479	female	C103		562486	female
C52		563735	male	C105		562581	male
C53		561539	male	C105		562583	female
C53		561540	female	C106		562581	male
C55	Evap_Cmpt_	561577	male	C106		562583	female
C55	Evap_Cmpt_	561605	female	C119	EngineDoor	561607	male
C66		561577	male	C119	EngineDoor	561606	female
C66		561605	female	C120	EngineDoor	561607	male
C67		561247	male	C120	EngineDoor	561606	female
C67		561248	female	C121	EngineDoor	561690	male
C69		561583	male	C121	EngineDoor	561566	female
C69		561585	female	C122		561690	male
C70		562557	male	C122		561566	female
C70		562558	female	C123		561690	male
C71	Service_Cmpt_	561646	male	C123		561566	female
C71	Service_Cmpt_	561645	female	C124		561577	male
C72		561646	male	C124		561605	female
C72		561645	female	C125	Service_Cmpt_	562503	male
C74		561645	female	C125	Service Cmpt	562507	female

# CONNECTORS LIST

No	Location	Part #	Gender	No	Location	Part #	Gender
C126		562581	male	C206		562507	female
C126		562583	female	C207		562503	male
C127		563412	male	C207		562507	female
C127		563413	female	C209		562503	male
C128		563412	male	C209		562507	female
C128		563413	female	C212	WCL_Door	561515	male
C129		563412	male	C212	WCL_Door	561552	female
C129		563413	female	C222		562477	male
C130		563412	male	C222		562479	female
C130		563413	female	C223		563227	male
C131		563412	male	C223		563614	female
C131		563413	female	C224		561637	male
C132		563412	male	C224		561636	female
C132		563413	female	C225		562650	male
C133		563412	male	C225		562649	female
C133		563413	female	C230	Engine_Cmpt_	562485	male
C134		563412	male	C230	Engine_Cmpt_	562486	female
C134		563413	female	C239	Service_Cmpt_	561690	male
C141		561247	male	C239	Service_Cmpt_	561566	female
C141		561248	female	C240	Service_Cmpt_	561607	male
C144	UnderLHSeat	560852	male	C240	Service_Cmpt_	561606	female
C144	UnderLHSeat	560851	female	C242	Service_Cmpt_	562789	male
C150		561515	male	C242	Service_Cmpt_	565131	female
C150		561552	female	C243	Service_Cmpt_	562789	male
C152	CondensorCmpt.	561611	male	C243	Service_Cmpt_	565131	female
C152	CondensorCmpt.	561610	female	C246	Service_Cmpt_	563090	male
C155		561626	female	C246	Service_Cmpt_	563091	female
C155		561904	female	C260	Service_Cmpt_	561607	male
C171	Service_Cmpt_	561646	male	C260	Service_Cmpt_	561606	female
C171	Service_Cmpt_	561645	female	C269	RHConsole	563090	male
C183	Service_Cmpt_	561611	male	C269	RHConsole	563091	female
C183	Service_Cmpt_	561610	female	C279	Service_Cmpt_	562477	male
C184_plug		561566	female	C279	Service_Cmpt_	562479	female
C184_socket		561690	male	C279A		561690	male
C185_plug		561782	male	C279A		561566	female
C185_socket		561781	female	C284		561782	male
C186_plug		561782	male	C284		561781	female
C186_socket		561781	female	C284-1		561782	male
C193		563589	male	C284-1		561781	female
C193		563590	female	C284-2		561782	male
C194		563589	male	C284-2		561781	female
C194		563590	female	C284-3		561782	male
C206		562503	male	C284-3		561781	female

# CONNECTORS LIST

No	Location	Part #	Gender	No	Location	Part #	Gender
C284-4		561782	male	C542		561667	female
C284-4		561781	female	C558		562503	male
C284-5		561782	male	C558		562507	female
C284-5		561781	female	C564		562503	male
C298		561782	male	C564		562507	female
C298		561781	female	C564-Sp		562503	male
C298A		561782	male	C564-Sp		562507	female
C298A		561781	female	C566		562503	male
C298B		561782	male	C566		562507	female
C298B		561781	female	C567		562503	male
C302		563071	male	C567		562507	female
C302		563040	female	C575	RrSectionRHHatRack	562503	male
C380	Dash	563180	male	C575	RrSectionRHHatRack	562507	female
C380	Dash	563347	female	C576	RrSectionRHHatRack	561550	male
C381		561847	male	C576	RrSectionRHHatRack	561667	female
C381		561862	female	C577	RrSectionLHHatRack	561550	male
C382		561580	male	C577	RrSectionLHHatRack	561667	female
C382		561582	female	C578	RrSectionLHHatRack	562503	male
C394	FJB	560852	male	C578	RrSectionLHHatRack	562507	female
C394	FJB	560851	female	C581	UnderdashBoard	562777	male
C397	RJB	562285	male	C582	FJB	561690	female
C397	RJB	562282	female	C582	FJB	561566	female
C403		561247	male	C589	Service_Cmpt_	563088	male
C403		561248	female	C589	Service_Cmpt_	563089	female
C404		561247	male	C590	RHConsole	563088	male
C404		561248	female	C590	RHConsole	563089	female
C405		561247	male	C601	LHRoofWinAjar	561476	male
C405		561248	female	C601	LHRoofWinAjar	561477	female
C426	EngineCmpt	561782	male	C602		561476	male
C426	EngineCmpt	561781	female	C602		561477	female
C430	LHConsole	562363	male	C603	RHRoofWinAjar	561476	male
C430	LHConsole	561188	female	C603	RHRoofWinAjar	561477	female
C452	Dash	562549	male	C611	Parcel_Rack_RH	562557	male
C452	Dash	562550	female	C611	Parcel_Rack_RH	562558	female
C463	Engine_Cmpt_	562570	female	C612_plug	Parcel_Rack_RH	562555	male
C463	Engine_Cmpt_	562571	male	C612_socket	Parcel_Rack_RH	562556	female
C464	RJB	563180	male	C613_plug	Parcel_Rack_RH	561550	male
C464	RJB	563347	female	C613_socket	Parcel_Rack_RH	561667	female
C465		562581	male	C614		563071	male
C465		562583	female	C614		563040	female
C506	FJB	561687	male	C615		563071	male
C506	FJB	561685	female	C615		563040	female
C542		561550	male	C717		561646	male



# CONNECTORS LIST

No	Location	Part #	Gender	No	Location	Part #	Gender
C717		561645	female	CT2		563226	male
C720	Rear_Axle_Cmpt_	563358	male	CT2		563613	female
C720	Rear_Axle_Cmpt_	563359	female	CT2A_plug		561607	male
C721	RJB	561515	male	CT2A_socket		561606	female
C721	RJB	561552	female	CT3		563224	male
C723	Rear_Axle_Cmpt_	562877	female	CTF_plug		563224	male
C723	Rear_Axle_Cmpt_	562884	female	CVSA_plug		562503	male
C750		562707	male	CVSA_socket		562507	female
C750		562706	female	C_PA_8CH		562507	female
C751		562707	male	C_PA_8CH_0_1		562503	male
C751		562706	female	FUSE_BOX_1.A		562610	male
C752		562707	male	FUSE_BOX_1.B		562610	male
C752		562706	female	FUSE_BOX_2.A		562610	male
C753		562707	male	FUSE_BOX_2.B		562610	male
C753		562706	female	L.H.CONSOLE		560999	male
C754		562707	male	L.H.MODESTYPANEL		560999	male
C754		562706	female	L1	Service_Cmpt_	562848	male
C755		562707	male	L2	Front_Roof	561247	male
C755		562706	female	L3.A	Parcel_Rack_RH	562758	male
C758		562707	male	L3.B	Parcel_Rack_RH	562759	male
C758		562706	female	L4.A	Parcel_Rack_RH	562758	male
C759		562707	male	L4.B	Parcel_Rack_RH	562759	male
C759		562706	female	L5.A	Parcel_Rack_RH	562758	male
C760		562707	male	L5.B	Parcel_Rack_RH	562759	male
C760		562706	female	L6.A	Parcel_Rack_RH	562758	male
C761		562707	male	L6.B	Parcel_Rack_RH	562759	male
C761		562706	female	L7.A	Parcel_Rack_RH	562758	male
C762		562707	male	L7.B	Parcel_Rack_RH	562759	male
C762		562706	female	L8.A	Parcel_Rack_RH	562758	male
C763		562707	male	L8.B	Parcel_Rack_RH	562759	male
C763		562706	female	L9.A	Parcel_Rack_LH	562758	male
C764		562707	male	L9.B	Parcel_Rack_LH	562759	male
C764		562706	female	L10.A	Parcel_Rack_LH	562758	male
C765		562707	male	L10.B	Parcel_Rack_LH	562759	male
C765		562706	female	L11.A	Parcel_Rack_LH	562758	male
C766		561662	male	L11.B	Parcel_Rack_LH	562759	male
C766		561661	female	L12.A	Parcel_Rack_LH	562758	male
C767		563409	male	L12.B	Parcel_Rack_LH	562759	male
C767		563410	female	L13.A	Parcel_Rack_LH	562758	male
CSX1	Engine_Cmpt_	563135	male	L13.B	Parcel_Rack_LH	562759	male
CSX1	Engine_Cmpt_	563134	female	L14.A	Parcel_Rack_LH	562758	male
CSX3	Engine_Cmpt_	563135	male	L14.B	Parcel_Rack_LH	562759	male
CSX3	Engine_Cmpt	563134	female	L15.A	Parcel_Rack_LH	562758	male

# CONNECTORS LIST

No	Location	Part #	Gender	No	Location	Part #	Gender
L15.B	Parcel_Rack_LH	562759	male	L51	Parcel_Rack_RH	560898	male
L16	Front_Roof	562803	male	L52	Driver_Area	560898	male
L17	Front_Roof	562803	male	L53	Passenger_Area	560898	male
L18		562486	female	L54	Passenger_Area	560898	male
L19	Entrance_Door	562486	female	L55	Passenger_Area	560898	male
L20	Entrance_Door	562486	female	L56	Passenger_Area	560898	male
L21.A	Front_Roof	561608	female	L57	Passenger_Area	560898	male
L21.B	Front_Roof	562286	male	L58	Passenger_Area	560898	male
L22.A	Front_Roof	561608	female	L59.A	Outside_Front_RH	562623	male
L22.B	Front_Roof	562286	male	L59.B	Outside_Front_RH	562623	male
L23.A	Front_Roof	561608	female	L60.A	Outside_Front_LH	562623	male
L23.B	Front_Roof	562286	male	L60.B	Outside_Front_LH	562623	male
L24.A	Front_Roof	561608	female	L61	Outside_Front_RH	562601	male
L24.B	Front_Roof	562286	male	L62	Outside_Front_LH	562601	male
L25.A	Front_Roof	561608	female	L63	Outside_Front_RH	562155	male
L25.B	Front_Roof	562286	male	L64	Outside_Front_RH	562155	male
L26.A	Front_Roof	561608	female	L65	Outside_Front_LH	562155	male
L26.B	Front_Roof	562286	male	L66	Outside_Front_LH	562155	male
L27.A	Front_Roof	561608	female	L67	3rd_Lugg_Cmpt_	562155	male
L27.B	Front_Roof	562286	male	L68	3rd_Lugg_Cmpt_	562155	male
L28	Parcel_Rack_LH	560898	male	L69	3rd_Lugg_Cmpt_	562155	male
L29	Parcel_Rack_LH	560898	male	L70	3rd_Lugg_Cmpt_	562155	male
L30	Parcel_Rack_LH	560898	male	L71	Rear_Engine_Door	562601	male
L31	Parcel_Rack_LH	560898	male	L72	Rear_Vehicle	562155	male
L32	Parcel_Rack_LH	560898	male	L73	Rear_Vehicle	562601	male
L33	Parcel_Rack_LH	560898	male	L74	Rear_Vehicle	562155	male
L34	Parcel_Rack_LH	560898	male	L75	Rear_Vehicle	562155	male
L35	Parcel_Rack_LH	560898	male	L76	Rear_Engine_Door	562155	male
L36	Parcel_Rack_LH	560898	male	L77	Rear_Engine_Door	562601	male
L37	Parcel_Rack_LH	560898	male	L78	Rear_Engine_Door	562601	male
L38	Parcel_Rack_LH	560898	male	L79	Rear_Engine_Door	562601	male
L39	Parcel_Rack_LH	560898	male	L80	Rear_Engine_Door	562601	male
L40	Parcel_Rack_RH	560898	male	L81.A	Rear_Engine_Door	562835	female
L41	Parcel_Rack_RH	560898	male	L81.B	Rear_Engine_Door	562834	male
L42	Parcel_Rack_RH	560898	male	L82	Rear_Engine_Door	562348	female
L43	Parcel_Rack_RH	560898	male	L83	Rear_Engine_Door	562348	female
L44	Parcel_Rack_RH	560898	male	L84.A	Rear_Roof	561608	female
L45	Parcel_Rack_RH	560898	male	L84.B	Rear_Roof	562286	male
L46	Parcel_Rack_RH	560898	male	L85.A	Rear_Roof	561608	female
L47	Parcel_Rack_RH	560898	male	L85.B	Rear_Roof	562286	male
L48	Parcel_Rack_RH	560898	male	L86.A	Rear_Roof	561608	female
L49	Parcel_Rack_RH	560898	male	L86.B	Rear_Roof	562286	male
L50	Parcel_Rack_RH	560898	male	L87.A	Rear_Roof	561608	female

# CONNECTORS LIST

No	Location	Part #	Gender	No	Location	Part #	Gender
L87.B	Rear_Roof	562286	male	L123	Parcel_Rack_RH	560898	male
L88.A	Rear_Roof	561608	female	L124	Parcel_Rack_RH	560898	male
L88.B	Rear_Roof	562286	male	L125	Parcel_Rack_RH	560898	male
L89.A	Rear_Roof	561608	female	L126	Parcel_Rack_RH	560898	male
L89.B	Rear_Roof	562286	male	L127	Parcel_Rack_RH	562758	male
L90.A	Rear_Roof	561608	female	L128	Parcel_Rack_RH	562758	male
L90.B	Rear_Roof	562286	male	L129	Parcel_Rack_RH	562758	male
L91	Engine_Cmpt_	562755	male	L130	Parcel_Rack_RH	562758	male
L92	Engine_Cmpt_	562755	male	L131	Parcel_Rack_RH	562758	male
L93.A		563069	female	L132	Parcel_Rack_RH	562758	male
L93.B		563069	female	L134	Parcel_Rack_LH	562758	male
L94.A		563069	female	L135	Parcel_Rack_LH	562758	male
L94.B		563069	female	L136	Parcel_Rack_LH	562758	male
L95	Outside_Front_LH	562902	female	L137	Parcel_Rack_LH	562758	male
L96	Outside_Front_RH	562902	female	L138	Parcel_Rack_LH	562758	male
L97.A		563069	female	L139	Parcel_Rack_LH	562758	male
L97.B		563069	female	L140	Lavatory	561247	male
L98.A		563069	female	L142	Lavatory	562803	male
L98.B		563069	female	L143	Front_Roof	561247	male
L99	Parcel_Rack_LH	560898	male	L144.A	Parcel_Rack_LH	562756	male
L100	Parcel_Rack_LH	560898	male	L144.B	Parcel_Rack_LH	562505	female
L101	Parcel_Rack_LH	560898	male	L145.A	Parcel_Rack_LH	562756	male
L102	Parcel_Rack_LH	560898	male	L145.B	Parcel_Rack_LH	562505	female
L103	Parcel_Rack_LH	560898	male	L146.A	Parcel_Rack_LH	562756	male
L104	Parcel_Rack_LH	560898	male	L146.B	Parcel_Rack_LH	562505	female
L105	Parcel_Rack_LH	560898	male	L147.A	Parcel_Rack_LH	562756	male
L106	Parcel_Rack_LH	560898	male	L147.B	Parcel_Rack_LH	562505	female
L107	Parcel_Rack_LH	560898	male	L148.A	Parcel_Rack_LH	562756	male
L108	Parcel_Rack_LH	560898	male	L148.B		562505	female
L109	Parcel_Rack_LH	560898	male	L149.A	Parcel_Rack_LH	562756	male
L110	Parcel_Rack_LH	560898	male	L149.B	Parcel_Rack_LH	562505	female
L111	Parcel_Rack_LH	560898	male	L150.A	Parcel_Rack_LH	562756	male
L112	Parcel_Rack_LH	560898	male	L150.B	Parcel_Rack_LH	562505	female
L113	Parcel_Rack_RH	560898	male	L151.A	Parcel_Rack_LH	562756	male
L114	Parcel_Rack_RH	560898	male	L151.B	Parcel_Rack_LH	562505	female
L115	Parcel_Rack_RH	560898	male	L152.A	Parcel_Rack_LH	562756	male
L116	Parcel_Rack_RH	560898	male	L152.B	Parcel_Rack_LH	562505	female
L117	Parcel_Rack_RH	560898	male	L153.A	Parcel_Rack_LH	562756	male
L118	Parcel_Rack_RH	560898	male	L153.B	Parcel_Rack_LH	562505	female
L119	Parcel_Rack_RH	560898	male	L154.A	Parcel_Rack_LH	562756	male
L120	Parcel_Rack_RH	560898	male	L154.B	Parcel_Rack_LH	562505	female
L121	Parcel_Rack_RH	560898	male	L155.A	Parcel_Rack_LH	562756	male
L122	Parcel_Rack_RH	560898	male	L155.B	Parcel_Rack_LH	562505	female

# CONNECTORS LIST

No	Location	Part #	Gender	No	Location	Part #	Gender
L156.A	Parcel_Rack_LH	562756	male	L182	1st_Lugg_Cmpt_	561247	male
L156.B	Parcel_Rack_LH	562505	female	L183	1st_Lugg_Cmpt_	561247	male
L157.A	Parcel_Rack_LH	562756	male	L184	Service_Cmpt_	561247	male
L157.B	Parcel_Rack_LH	562505	female	L187	Engine_Cmpt_	561690	male
L158.A	Parcel_Rack_LH	562756	male	L188	Service_Cmpt_	562486	female
L158.B	Parcel_Rack_LH	562505	female	L189	Outside_Front_RH	562069	male
L159.A	Parcel_Rack_RH	562756	male	L190	Outside_Front_LH	562069	male
L159.B		562505	female	L192	Parcel_Rack_LH	560898	male
L160.A	Parcel_Rack_RH	562756	male	L193.A	Dash	560488	female
L160.B	Parcel_Rack_RH	562505	female	L193.B	Dash	560488	female
L161.A	Parcel_Rack_RH	562756	male	L194.A	Left_Hand_Console	562019	female
L161.B	Parcel_Rack_RH	562505	female	L194.B	Left_Hand_Console	560488	female
L162.A	Parcel_Rack_RH	562756	male	L195.A	Dash	560488	female
L162.B	Parcel_Rack_RH	562505	female	L195.B	Dash	560488	female
L163.A	Parcel_Rack_RH	562756	male	L199	Engine_Cmpt_	562471	male
L163.B	Parcel_Rack_RH	562505	female	L200	Engine_Cmpt_	562471	male
L164.A	Parcel_Rack_RH	562756	male	L201	Front_Roof	561247	male
L164.B	Parcel_Rack_RH	562505	female	L202	Front_Roof	561247	male
L165.A	Parcel_Rack_RH	562756	male	L203		561690	male
L165.B	Parcel_Rack_RH	562505	female	L205	Evap_Cmpt_	562485	male
L166.A	Parcel_Rack_RH	562756	male	L206	Parcel_Rack_RH	562803	male
L166.B	Parcel_Rack_RH	562505	female	L207.A	5th_Lugg_Cmpt_	561699	female
L167.A	Parcel_Rack_RH	562756	male	L207.B	5th_Lugg_Cmpt_	561699	female
L167.B	Parcel_Rack_RH	562505	female	L207.C	5th_Lugg_Cmpt_	561701	female
L168.A	Parcel_Rack_RH	562756	male	L207.D	5th_Lugg_Cmpt_	561699	female
L168.B	Parcel_Rack_RH	562505	female	L207.E	5th_Lugg_Cmpt_	561701	female
L169.A	Parcel_Rack_RH	562756	male	L207.F	5th_Lugg_Cmpt_	561699	female
L169.B	Parcel_Rack_RH	562505	female	L207.G	5th_Lugg_Cmpt_	561699	female
L170.A	Parcel_Rack_RH	562756	male	L207.H	5th_Lugg_Cmpt_	560926	female
L170.B	Parcel_Rack_RH	562505	female	L207.I	5th_Lugg_Cmpt_	560926	female
L171.A	Parcel_Rack_RH	562756	male	L208	Outside_Front_LH	563088	male
L171.B	Parcel_Rack_RH	562505	female	L209	Outside_Front_RH	563088	male
L172	Parcel_Rack_RH	562756	male	L211	Entrance_Door	562486	female
L172.B	Parcel_Rack_RH	562505	female	L213.A	Parcel_Rack_RH	561248	female
L173	Engine_Cmpt_	563268	male	L213.B	Parcel_Rack_RH	561248	female
L174	Engine_Cmpt_	563268	male	L214.A	Parcel_Rack_RH	561248	female
L175	RJB	561247	male	L214.B	Parcel_Rack_RH	561248	female
L176	5th_Lugg_Cmpt_	561247	male	L215.A	Parcel_Rack_RH	561248	female
L177	5th_Lugg_Cmpt_	561247	male	L215.B	Parcel_Rack_RH	561248	female
L178	3rd_Lugg_Cmpt_	561247	male	L216.A	Parcel_Rack_RH	561248	female
L179	3rd_Lugg_Cmpt_	561247	male	L216.B	Parcel_Rack_RH	561248	female
L180	2nd_Lugg_Cmpt_	561247	male	L217.A	Parcel_Rack_RH	561248	female
L181	2nd_Luga_Cmpt	561247	male	L217.B	Parcel_Rack_RH	561248	female

# CONNECTORS LIST

No	Location	Part #	Gender	No	Location	Part #	Gender
L218.A	Parcel_Rack_RH	561248	female	L244.B		562505	female
L218.B	Parcel_Rack_RH	561248	female	L245.A	Parcel_Rack_RH	562756	male
L219.A	Parcel_Rack_LH	561248	female	L245.B		562505	female
L219.B	Parcel_Rack_LH	561248	female	L246.A	Parcel_Rack_RH	562756	male
L220.A	Parcel_Rack_LH	561248	female	L246.B		562505	female
L220.B	Parcel_Rack_LH	561248	female	L247.A	Parcel_Rack_RH	562756	male
L221.A	Parcel_Rack_LH	561248	female	L247.B		562505	female
L221.B	Parcel_Rack_LH	561248	female	L248.A	Parcel_Rack_RH	562756	male
L222.A	Parcel_Rack_LH	561248	female	L248.B		562505	female
L222.B	Parcel_Rack_LH	561248	female	L249.A		562756	male
L223.A	Parcel_Rack_LH	561248	female	L249.B		562505	female
L223.B	Parcel_Rack_LH	561248	female	L250.A		562756	male
L224.A	Parcel_Rack_LH	561248	female	L250.B		562505	female
L224.B	Parcel_Rack_LH	561248	female	L251.A		562756	male
L225.A	Parcel_Rack_LH	561248	female	L251.B		562505	female
L225.B	Parcel_Rack_LH	561248	female	L252.A		562756	male
L226	Parcel_Rack_RH	562758	male	L252.B		562505	female
L227	Parcel_Rack_RH	562758	male	L253.A		562756	male
L228	Parcel_Rack_RH	562758	male	L253.B		562505	female
L229	Parcel_Rack_RH	562758	male	L254.A		562756	male
L230	Parcel_Rack_RH	562758	male	L254.B		562505	female
L231	Parcel_Rack_RH	562758	male	L255.A		562756	male
L232.A	Parcel_Rack_RH	562758	male	L255.B		562505	female
L232.B	Parcel_Rack_RH	562759	male	L256.A		562756	male
L233.A	Parcel_Rack_RH	562758	male	L256.B		562505	female
L233.B	Parcel_Rack_RH	562759	male	L257.A		562756	male
L234.A	Parcel_Rack_RH	562758	male	L257.B		562505	female
L234.B	Parcel_Rack_RH	562759	male	L258	Parcel_Rack_RH	560898	male
L235.A	Parcel_Rack_RH	562758	male	L259	Parcel_Rack_RH	560898	male
L235.B	Parcel_Rack_RH	562759	male	L260	Parcel_Rack_RH	560898	male
L236.A	Parcel_Rack_RH	562758	male	L261	Parcel_Rack_RH	560898	male
L236.B	Parcel_Rack_RH	562759	male	L262	Parcel_Rack_RH	560898	male
L238.A	Parcel_Rack_RH	561248	female	L263	Parcel_Rack_RH	560898	male
L238.B	Parcel_Rack_RH	561248	female	L264	Parcel_Rack_RH	560898	male
L239.A	Parcel_Rack_RH	561248	female	L266	Parcel_Rack_RH	560898	male
L239.B	Parcel_Rack_RH	561248	female	L267	Parcel_Rack_RH	560898	male
L240.A	Parcel_Rack_RH	561248	female	L268	Parcel_Rack_RH	560898	male
L240.B	Parcel_Rack_RH	561248	female	L269	Parcel_Rack_RH	560898	male
L241.A	Parcel_Rack_RH	561248	female	L270	Parcel_Rack_RH	560898	male
L241.B	Parcel_Rack_RH	561248	female	L271	Parcel_Rack_RH	560898	male
L242.A	Parcel_Rack_RH	561248	female	L272	Parcel_Rack_RH	560898	male
L242.B	Parcel_Rack_RH	561248	female	L273	Parcel_Rack_RH	560898	male
L244.A	Parcel_Rack_RH	562756	male	L274	Parcel_Rack_RH	560898	male

# CONNECTORS LIST

No	Location	Part #	Gender	No	Location	Part #	Gender
L275	Parcel_Rack_RH	560898	male	Pot1.B	Dash	560488	female
L276	Parcel_Rack_RH	560898	male	Pot1.C	Dash	560488	female
L277	Parcel_Rack_RH	560898	male	R-12VISS		561183	male
L278	Parcel_Rack_RH	560898	male	R.H.CONSOLE		560999	male
L279	Parcel_Rack_RH	560898	male	R.H.MODESTYPANEL		560999	male
L280	Parcel_Rack_RH	560898	male	R2	RJB	561183	male
L281	Parcel_Rack_RH	560898	male	R3	RJB	563409	male
L282	Rear_Axle_Cmpt_	561690	male	R4		561183	male
L285		562251	male	R5	RJB	561183	male
L293.A		560081	female	R6	RJB	561183	male
L293.B		560081	female	R9	Evap_Cmpt_	563409	male
L294.A		560081	female	R10	Evap_Cmpt_	563409	male
L294.B		560081	female	R11	RJB	561183	male
L295		562251	male	R12	Evap_Cmpt_	563409	male
Mo1	Engine_Cmpt_	561690	female	R13	RJB	561183	male
Mo2	Engine_Cmpt_	561782	male	R14	RJB	562367	male
Mo3	Dash	561667	female	R15	RJB	561183	male
Mo4	Dash	562076	male	R16	Dash	561183	male
Mo5	Front_Roof	561550	female	R17	RJB	562367	male
Mo6	Service_Cmpt_	561690	male	R18	FJB	562367	male
Mo7		563600	female	R19	FJB	562367	male
Mo8		563600	female	R20	Evap_Cmpt_	561183	male
Mo10		561515	male	R22		561183	male
Mo11		561515	male	R23	Right_Hand_Console	561183	male
Mo12	Evap_Cmpt_	561690	male	R24	FJB	561183	male
Mo13	Engine_Cmpt_	561690	female	R25	RJB	561183	male
Mo14	Parcel_Rack_RH	561566	female	R26	Cond_Cmpt_	561183	male
Mo15	Front_Roof	560900	female	R27		561183	male
Mo16	Front_Roof	560900	female	R29		563409	male
Mo17		563626	male	R31.A		562367	male
Mo18		562474	male	R35		561183	male
Mo19		562474	male	R36		561183	male
Mo20		562474	male	R37		561183	male
Mo21	Front_Roof	561186	male	R41		561183	male
Mo22	Right_Hand_Console	561186	male	R42		561183	male
Mo24	Right_Hand_Console	562348	female	R43		561183	male
Mo25	Right_Hand_Console	562348	female	R44		561183	male
Mo54		562474	male	R45		561183	male
Mo61		561248	female	R73		563409	male
P36.A	Engine_Cmpt_	561701	female	R_AMPLI		562367	male
P36.B	Engine_Cmpt_	561701	female	R_Flip		561183	male
P36.C	Engine_Cmpt_	561701	female	R_Tv		561183	male
Pot1.A	Dash	560488	female	Res3		563590	female

# CONNECTORS LIST

No	Location	Part #	Gender	No	Location	Part #	Gender
Res4		563590	female	Se35	Engine_Cmpt_	563057	male
Res5	Dash	563590	female	Se36		563629	female
Res6		563590	female	Se37		641132	female
Res7	FJB	563590	female	Se38		641132	female
Res12	Engine_Cmpt_	563590	female	Se39		641132	female
Res15	RJB	561782	male	Se40		641132	female
RZF1		561183	male	Se41	Engine_Cmpt_	562486	female
Se1	Engine_Cmpt_	562486	female	Se43		563340	male
Se2	Engine_Cmpt_	562486	female	Se44.A		560082	female
Se3	RJB	562486	female	Se44.B		560082	female
Se4	Window_RH	561477	female	Se45		563409	male
Se5	Window_RH	561477	female	Se46		562348	female
Se6	Window_RH	561477	female	Se60		563409	male
Se7	Window_LH	561477	female	Se63		641132	female
Se8	Window_LH	561477	female	Se64		641132	female
Se9	Window_LH	561477	female	Se65		564042	female
Se10	Window_LH	561477	female	Se66		564039	female
Se11.A	Cond_Cmpt_	560082	male	Se67		563159	female
Se11.B	Cond_Cmpt_	560082	male	Se68		563159	female
Se11.C	Cond_Cmpt_	560082	male	Se69		563159	female
Se12	Engine_Cmpt_	561690	female	So1	Engine_Cmpt_	561566	female
Se13	Engine_Cmpt_	562350	male	So3		641385	male
Se14.A	Driver_Area	561782	male	So4		641385	male
Se14.B	Driver_Area	561781	female	So5		641385	male
Se15	Right_Hand_Console	560898	male	So6		641385	male
Se16	Entrance_Door	562348	female	So7	Service_Cmpt_	561566	male
Se17	Entrance_Door	560081	female	So8	Service_Cmpt_	563204	female
Se19		563677	male	So9	Engine_Cmpt_	561566	female
Se19A		563677	male	So10	Cond_Cmpt_	562485	male
Se20	Evap_Cmpt_	562426	male	So11	Cond_Cmpt_	561566	female
Se21	Dash	561248	female	So12	Evap_Cmpt_	561566	female
Se23	Engine_Cmpt_	563159	male	So13	Evap_Cmpt_	563204	female
Se24	Engine_Cmpt_	563159	male	So14		564045	female
Se25	Passenger_Area	561248	female	So15		564045	female
Se26	Service_Cmpt_	561690	female	So16		564045	female
Se27	Front_Axle_Cmpt_	561111	female	So17		564045	female
Se28		561690	male	So18		641385	male
Se29		561566	female	So19		641385	male
Se30	Engine_Cmpt_	561690	female	So20		564045	female
Se31	Engine_Cmpt_	561690	female	So21		564046	female
Se32	Engine_Cmpt_	563057	male	So22		564046	female
Se33	Engine_Cmpt_	562856	male	So23		564046	female
Se34	Engine_Cmpt_	563057	male	So24		564046	female

# CONNECTORS LIST

No	Location	Part #	Gender	No	Location	Part #	Gender
So25		641949	male	Sw1.C259		561186	male
So26		564045	female	Sw2	Dash	562763	male
So27		564045	female	Sw3		562763	male
So50		564046	female	Sw4		562763	male
So51		564046	female	Sw5	Dash	562763	male
So52		564045	female	Sw6		562763	male
Spk1_L		563994	male	Sw7.A	Cond_Cmpt_	562403	female
Spk1_R		563994	male	Sw7.B	Cond_Cmpt_	562403	female
Spk2_L		563994	male	Sw8	Dash	562763	male
Spk2_R		563994	male	Sw9	Dash	562763	male
Spk3_L		563994	male	Sw10	Dash	562763	male
Spk3_R		563994	male	Sw10A		562763	male
Spk4_L		563994	male	Sw11		562763	male
Spk4_R		563994	male	Sw11A		562763	male
Spk5_L		563994	male	Sw12		562763	male
Spk5_R		563994	male	Sw13	Dash	562763	male
Spk6_L		563994	male	Sw14		562763	male
Spk6_R		563994	male	Sw15	Dash	562763	male
Spk7_L		563994	male	Sw16		562763	male
Spk7_R		563994	male	Sw17	Dash	562763	male
Spk8_L		563994	male	Sw18	Dash	562763	male
Spk8_R		563994	male	Sw18A		562763	male
Spk9_L		563994	male	Sw20		562763	male
Spk9_R		563994	male	Sw21		562763	male
Spk10_L		563994	male	Sw22		562763	male
Spk10_R		563994	male	Sw23	Dash	562763	male
Spk11_L		563994	male	Sw24		562763	male
Spk11_R		563994	male	Sw25	Dash	562763	male
Spk12_L		563994	male	Sw26		562763	male
Spk12_R		563994	male	Sw27		562763	male
Spk13_L		563994	male	Sw28		562763	male
Spk13_R		563994	male	Sw29		562763	male
Spk14_L		563994	male	Sw30		561566	female
Spk14_R		563994	male	Sw31	WCL_Door	563543	male
Spk15_L		563994	male	Sw32	Dash	561477	female
Spk15_R		563994	male	Sw33	Dash	561476	male
Spk16_L		563994	male	Sw34	Outside_Front_RH	562477	male
Spk16_R		563994	male	Sw35		562763	male
SpkDr_L		563994	male	Sw36	Left_Hand_Console	562763	male
SpkDr_R		563994	male	Sw37	Left_Hand_Console	562763	male
Sub1.A		564004	female	Sw38	Left_Hand_Console	562763	male
Sub2		564004	female	Sw39.A		562403	female
Sw1.C258		561188	female	Sw39.B		562403	female



# CONNECTORS LIST

No	Location	Part #	Gender	No	Location	Part #	Gender
Sw40	Left_Hand_Console	561690	male	Sw74	Parcel_Rack_RH	562651	female
Sw41	Left_Hand_Console	562749	male	Sw75	Parcel_Rack_RH	562651	female
Sw42	5th_Lugg_Cmpt_	561635	female	Sw76	Parcel_Rack_RH	562651	female
Sw43	Service_Cmpt_	561690	male	Sw77	Parcel_Rack_RH	562651	female
Sw44.A		562403	female	Sw78	Parcel_Rack_RH	562651	female
Sw44.B		562403	female	Sw79	Parcel_Rack_RH	562651	female
Sw45.A	5th_Lugg_Cmpt_	562403	female	Sw80	Parcel_Rack_RH	562651	female
Sw45.B	5th_Lugg_Cmpt_	562403	female	Sw81.A	Dash	562905	male
Sw46.A	5th_Lugg_Cmpt_	562403	female	Sw81.B	Dash	562905	male
Sw46.B	5th_Lugg_Cmpt_	562403	female	Sw82.A	RJB	561457	female
Sw47.A	3rd_Lugg_Cmpt_	562403	female	Sw82.B	RJB	561457	female
Sw47.B	3rd_Lugg_Cmpt_	562403	female	Sw82.C	RJB	561457	female
Sw48.A	3rd_Lugg_Cmpt_	562403	female	Sw82.D	RJB	561457	female
Sw48.B	3rd_Lugg_Cmpt_	562403	female	Sw83.A	Dash	560082	female
Sw49.A	2nd_Lugg_Cmpt_	562403	female	Sw83.B	Dash	560815	female
Sw49.B	2nd_Lugg_Cmpt_	562403	female	Sw83.C	Dash	560082	female
Sw50.A	2nd_Lugg_Cmpt_	562403	female	Sw83.D	Dash	560815	female
Sw50.B	2nd_Lugg_Cmpt_	562403	female	Sw84.A	Service_Cmpt_	562477	male
Sw51.A	1st_Lugg_Cmpt_	562403	female	Sw84.B	Service_Cmpt_	560488	female
Sw51.B	1st_Lugg_Cmpt_	562403	female	Sw85	Left_Hand_Console	562749	male
Sw52	1st_Lugg_Cmpt_	562403	female	Sw86	Parcel_Rack_RH	562651	female
Sw52.B	1st_Lugg_Cmpt_	562403	female	Sw87	Parcel_Rack_RH	562651	female
Sw53	Parcel_Rack_LH	562651	female	Sw88	Parcel_Rack_RH	562651	female
Sw55.A	Lavatory	560488	female	Sw89	Parcel_Rack_RH	562651	female
Sw55.B	Lavatory	560488	female	Sw90	Parcel_Rack_RH	562651	female
Sw56.A	Lavatory	560488	female	Sw91	Parcel_Rack_RH	562651	female
Sw56.B	Lavatory	560488	female	Sw92	Parcel_Rack_RH	562651	female
Sw57	WCL_Door	563543	male	Sw93	Parcel_Rack_RH	562651	female
Sw58	Engine_Cmpt_	562581	male	Sw94.A		562403	female
Sw59	Engine_Cmpt_	562485	male	Sw94.B		562403	female
Sw60	Engine_Cmpt_	561566	female	Sw95.A	WCL_Door	561626	female
Sw63A		562763	male	Sw95.B	WCL_Door	561626	female
Sw64.A		560815	female	Sw95.C	WCL_Door	561626	female
Sw64.B		560815	female	Sw96.A	WCL_Door	561626	female
Sw65	Parcel_Rack_LH	562651	female	Sw96.B	WCL_Door	561626	female
Sw66	Parcel_Rack_LH	562651	female	Sw96.C	WCL_Door	561626	female
Sw67	Parcel_Rack_LH	562651	female	Sw101.A		562763	male
Sw68	Parcel_Rack_LH	562651	female	Sw102	Left_Hand_Console	562471	male
Sw69	Parcel_Rack_LH	562651	female	Sw103		562957	male
Sw70	Parcel_Rack_LH	562651	female	Sw104		562763	male
Sw71	Parcel_Rack_LH	562651	female	Sw125.A		561457	female
Sw72	Parcel_Rack_LH	562651	female	Sw125.B		561457	female
Sw73	Parcel_Rack_RH	562651	female	Sw299		562763	male



# CONNECTORS LIST

No	Location	Part #	Gender	No	Location	Part #	Gender
A1		563975	male	A33.B		562330	female
A2		563984	male	A34		563463	male
A3	Dash	562363	male	A35		563463	male
A4.A		562428	female	A36.JA	FJB	562767	male
A4.B		561188	female	A36.JB	FJB	562765	male
A5	Service_Cmpt_	562428	female	A36.JC	FJB	562957	male
A6		562427	male	A37		563463	male
A7		563979	male	A38		563463	male
A9.Cx1		564041	female	A39.P101		563201	male
A9.Cx2		563678	male	A39.P901		563953	male
A9.Cx3		564037	female	A41.J1	FJB	562767	male
A9.Cx4		564038	female	A41.J2	FJB	563132	male
A10.X1	Engine_Cmpt_	563135	male	A41.J3	FJB	562957	male
A10.X3	Engine_Cmpt_	563134	female	A42.J1	FJB	562767	male
A11	Left_Hand_Console	563142	male	A42.J2	FJB	563132	male
A12	Dash	562464	male	A42.J3	FJB	562957	male
A13.J1	FJB	562794	male	A43.J1	FJB	562767	male
A13.J2	FJB	562650	male	A43.J2	FJB	563132	male
A14.CX	Dash	562957	male	A43.J3	FJB	562957	male
A14.CY	Dash	562765	male	A44.J1	FJB	563133	male
A14.LX	Dash	562766	male	A44.J2	FJB	563132	male
A14.LY	Dash	562767	male	A44.J3	FJB	562957	male
A14.RX	Dash	562767	male	A45.J1	FJB	563133	male
A15	Dash	562464	male	A45.J2	FJB	563132	male
A16	Front_Roof	561637	male	A45.J3	FJB	562957	male
A18.J1	FJB	562794	male	A46.J1	FJB	563133	male
A18.J2	FJB	562650	male	A46.J2	FJB	563132	male
A19	Left_Hand_Console	562878	female	A46.J3	FJB	562957	male
A20	Parcel_Rack_LH	561477	female	A47.J1	Right_Hand_Console	563133	male
A21	Rear_Axle_Cmpt_	kostalF	female	A47.J2	Right_Hand_Console	563132	male
A22	Left_Hand_Console	563338	male	A47.J3	Right_Hand_Console	562957	male
A23.A		563678	male	A48.J1	Right_Hand_Console	563133	male
A23.B		563953	male	A48.J2	Right_Hand_Console	563132	male
A24	Right_Hand_Console	561889	female	A48.J3	Right_Hand_Console	562957	male
A24.A	Right_Hand_Console	561890	male	A49.J1	RJB	562767	male
A24.B	Right_Hand_Console	561566	female	A49.J2	RJB	563132	male
A25		563025	male	A49.J3	RJB	562957	male
A27	Service_Cmpt_	562929	male	A50.J1	RJB	563133	male
A28	Service_Cmpt_	562928	male	A50.J2	RJB	563132	male
A29		562464	male	A50.J3	RJB	562957	male
A32		563618	male	A51.J1	RJB	563133	male
A32		563616	female	A51.J2	RJB	563132	male
A33.A		564004	female	A51.J3	RJB	562957	male

# CONNECTORS LIST

No	Location	Part #	Gender	No	Location	Part #	Gender
A52.J1	RJB	563133	male	A69.H		561716	female
A52.J2	RJB	563132	male	A70		564011	female
A52.J3	RJB	562957	male	A70a		564011	male
A53.J1	RJB	563133	male	A71.A		562464	male
A53.J2	RJB	563132	male	A71.B		562706	female
A53.J3	RJB	562957	male	A71.C		562706	female
A54.J1	Evap_Cmpt_	563133	male	A71.D		562706	female
A54.J2	Evap_Cmpt_	563132	male	A72.J1		563675	male
A54.J3	Evap_Cmpt_	562957	male	A72.J2		563678	male
A55.J1		562767	male	A72.J3		563679	male
A55.J2		563132	male	A72.J4		563680	male
A55.J3		562957	male	A73.J1		563681	male
A60.A		562464	male	A73.J2		563684	male
A60.B		562706	female	A74		563207	male
A60.C		562706	female	A75.A		563960	male
A60.D		562706	female	A75.B		563962	male
A60.E		562706	female	A75.C		901135	male
A60.F		562706	female	A79		564033	female
A61.A		562464	male	A81.JA		562767	male
A61.B		562465	male	A81.JB		562765	male
A63.A		563960	male	A81.JC		562957	male
A63.B		563962	male	A82		563739	male
A63.C		564009	male	A83		562767	male
A63.D		563961	male	A84.A		564004	female
A64		563954	male	A92.A		561626	female
A65		562465	male	A92.B		562549	male
A66		561183	male	A92.C		562556	female
A67.Vsa		563948	male	A92.D		562706	female
A67.Vsb		563950	male	A92.E		562706	female
A67.Vsc		563947	male	A92.F		562706	female
A67.Vsd		563949	male	A92.G		562706	female
A67.Vse		563951	male	A93.A		562559	female
A68.A		563960	male	A93.B		562559	female
A68.B		563962	male	A93.C		562559	female
A68.C		564009	male	A94.A		560852	male
A68.D		563961	male	A94.B		562706	female
A69.A		563071	male	A94.C		562706	female
A69.B		561716	female	A96		564073	female
A69.C		561716	female	A97		563226	male
A69.D		561716	female	A100		563758	female
A69.E		561716	female	A101		563758	female
A69.F		561716	female	A102		563758	female
A69.G		561716	female	A103		562070	female

# CONNECTORS LIST

No	Location	Part #	Gender	No	Location	Part #	Gender
A104		562649	female	C13S	Right_Hand_Console	563589	male
A105		562649	female	C13S	Right_Hand_Console	563590	female
A106		562649	female	C13_plug		563589	male
A108		562766	male	C13_socket		563590	female
A109		563774	male	C14	Evap_Cmpt_	561986	male
A130		563226	male	C14	Evap_Cmpt_	561987	female
A131.A		561782	male	C15		561643	male
A131.B		561781	female	C15		561642	female
Alt1.A		563746	female	C16	RJB	561577	male
Alt1.B		560815	female	C16	RJB	561605	female
Alt1.C		563746	female	C17	RJB	561986	male
Alt2.A		563746	female	C17	RJB	561987	female
Alt2.B		560815	female	C18	FJB	561986	male
Alt2.C		563746	female	C18	FJB	561987	female
BOOM		560999	male	C19	RJB	561986	male
C1	Service_Cmpt_	563589	male	C19	RJB	561987	female
C1	Service_Cmpt_	563590	female	C20		561668	male
C1S	Service_Cmpt_	563589	male	C20		561551	female
C1S	Service_Cmpt_	563590	female	C21A	RJB	561646	male
C2		563580	male	C21A	RJB	561645	female
C2		563581	female	C21B	RJB	561646	male
C3	RJB	563589	male	C21B	RJB	561645	female
C3	RJB	563590	female	C22	RJB	561847	male
C3S		563589	male	C22	RJB	561862	female
C3S		563590	female	C23	5thLugg_Cmpt	561847	male
C4	Service_Cmpt_	563580	male	C23	5thLugg_Cmpt	561862	female
C4	Service_Cmpt_	563581	female	C24_plug	Evap_Cmpt_	561690	male
C5	Service_Cmpt_	563589	male	C24_socket	Evap_Cmpt_	561566	female
C5	Service_Cmpt_	563590	female	C25		561550	male
C5S	Service_Cmpt_	563589	male	C25		561667	female
C5S	Service_Cmpt_	563590	female	C29	5th_Lugg_Cmpt_	563651	male
C6	Service_Cmpt_	563582	male	C29	5th_Lugg_Cmpt_	563652	female
C6	Service_Cmpt_	563583	female	C30	5th_Lugg_Cmpt_	561710	male
C7		563589	female	C30	5th_Lugg_Cmpt_	561709	female
C7		563590	female	C31		561734	male
C8		563589	female	C31		561735	female
C8		563590	female	C32	5th_Lugg_Cmpt_	561550	male
C9	Evap_Cmpt_	561986	male	C32	5th_Lugg_Cmpt_	561667	female
C9	Evap_Cmpt_	561987	female	C33	RHFrontRoof	561550	male
C10		562477	male	C33	RHFrontRoof	561667	female
C10		562479	female	C34	Right_Hand_Console	561986	male
C11	Service_Cmpt_	563580	male	C34	Right_Hand_Console	561987	female
C11	Service_Cmpt	563581	female	C35	RJB	562283	male

# CONNECTORS LIST

No	Location	Part #	Gender	No	Location	Part #	Gender
C35	RJB	562280	female	C72		561645	female
C37	Parcel_Rack_LH	562557	male	C74		561645	female
C37	Parcel_Rack_LH	562558	female	C74		561646	male
C38	Parcel_Rack_RH	562555	male	C78		561690	male
C38	Parcel_Rack_RH	562556	female	C78		561566	female
C39		562503	male	C82		562581	male
C39		562507	female	C82		562583	female
C40	Dash	562485	male	C87	Lavatory	561637	male
C40	Dash	562486	female	C87	Lavatory	561636	female
C41	RJB	561690	male	C91		562285	male
C41	RJB	561566	female	C91		562282	female
C43	Lavatory	561661	female	C92		561734	male
C43	Lavatory	561662	male	C92		561735	female
C44_plug	FJB	561577	male	C94		561577	male
C44_socket	FJB	561605	female	C94		561605	female
C45	FJB	561643	male	C96		561643	male
C45	FJB	561642	female	C96		561642	female
C46	FJB	561577	male	C97		561583	male
C46	FJB	561605	female	C97		561585	female
C47		561247	male	C99		561782	male
C47		561248	female	C99		561781	female
C48	Service_Cmpt_	561690	male	C100	5th_Lugg_Cmpt_	563589	male
C48	Service_Cmpt_	561566	female	C100	5th_Lugg_Cmpt_	563590	female
C49		562005	male	C100S	5th_Lugg_Cmpt_	563589	male
C49		561714	female	C100S	5th_Lugg_Cmpt_	563590	female
C51		562477	male	C101	Service_Cmpt_	561690	male
C51		562479	female	C101	Service_Cmpt_	561566	female
C52		563735	male	C102		561690	male
C53		561539	male	C102		561566	female
C53		561540	female	C103_plug		562485	male
C55	Evap_Cmpt_	561577	male	C103_socket		562486	female
C55	Evap_Cmpt_	561605	female	C105		562581	male
C66		561577	male	C105		562583	female
C66		561605	female	C106_plug		562581	male
C67		561247	male	C106_socket		562583	female
C67		561248	female	C119	EngineDoor	561607	male
C69		561583	male	C119	EngineDoor	561606	female
C69		561585	female	C120	EngineDoor	561607	male
C70		562557	male	C120	EngineDoor	561606	female
C70		562558	female	C121	EngineDoor	561690	male
C71	Service_Cmpt_	561646	male	C121	EngineDoor	561566	female
C71	Service_Cmpt_	561645	female	C122		561690	male
C72		561646	male	C122		561566	female

# CONNECTORS LIST

No	Location	Part #	Gender	No	Location	Part #	Gender
C123		561690	male	C186_socket		561781	female
C123		561566	female	C187_plug		561782	male
C124		561577	male	C187_socket		561781	female
C124		561605	female	C193		563589	male
C125	Service_Cmpt_	562503	male	C193		563590	female
C125	Service_Cmpt_	562507	female	C194		563589	male
C126		562581	male	C194		563590	female
C126		562583	female	C206		562503	male
C127		563412	male	C206		562507	female
C127		563413	female	C207		562503	male
C128		563412	male	C207		562507	female
C128		563413	female	C209		562503	male
C129		563412	male	C209		562507	female
C129		563413	female	C212	WCL_Door	561515	male
C130		563412	male	C212	WCL_Door	561552	female
C130		563413	female	C222		562477	male
C131		563412	male	C222		562479	female
C131		563413	female	C223		563227	male
C132		563412	male	C223		563614	female
C132		563413	female	C224		561637	male
C133		563412	male	C224		561636	female
C133		563413	female	C225		562649	female
C134		563412	male	C225_0_1		562650	male
C134		563413	female	C230	Engine_Cmpt_	562485	male
C141		561247	male	C230	Engine_Cmpt_	562486	female
C141		561248	female	C239	Service_Cmpt_	561690	male
C144	UnderLHSeat	560852	male	C239	Service_Cmpt_	561566	female
C144	UnderLHSeat	560851	female	C240	Service_Cmpt_	561607	male
C150		561515	male	C240	Service_Cmpt_	561606	female
C150		561552	female	C242	Service_Cmpt_	562789	male
C152	CondensorCmpt.	561611	male	C242	Service_Cmpt_	565131	female
C152	CondensorCmpt.	561610	female	C243	Service_Cmpt_	562789	male
C155		561626	female	C243	Service_Cmpt_	565131	female
C155		561904	female	C246	Service_Cmpt_	563090	male
C171	Service_Cmpt_	561646	male	C246	Service_Cmpt_	563091	female
C171	Service_Cmpt_	561645	female	C260	Service_Cmpt_	561607	male
C183	Service_Cmpt_	561611	male	C260	Service_Cmpt_	561606	female
C183	Service_Cmpt_	561610	female	C269	RHConsole	563090	male
C184_plug		561566	female	C269	RHConsole	563091	female
C184_socket		561690	male	C279	Service_Cmpt_	562477	male
C185_plug		561782	male	C279	Service_Cmpt_	562479	female
C185_socket		561781	female	C279A		561690	male
C186_plug		561782	male	C279A		561566	female

# CONNECTORS LIST

No	Location	Part #	Gender	No	Location	Part #	Gender
C284		561782	male	C430	LHConsole	561188	female
C284		561781	female	C452	Dash	562549	male
C284-1		561782	male	C452	Dash	562550	female
C284-1		561781	female	C463	Engine_Cmpt_	562570	female
C284-2		561782	male	C463	Engine_Cmpt_	562571	male
C284-2		561781	female	C464	RJB	563180	male
C284-3		561782	male	C464	RJB	563347	female
C284-3		561781	female	C465		562581	male
C284-4		561782	male	C465		562583	female
C284-4		561781	female	C506	FJB	561687	male
C284-5		561782	male	C506	FJB	561685	female
C284-5		561781	female	C542		561550	male
C297		563618	male	C542		561667	female
C297		563616	female	C558		562503	male
C298		561782	male	C558		562507	female
C298		561781	female	C564		562503	male
C298A		561782	male	C564		562507	female
C298A		561781	female	C564-Sp		562503	male
C298B		561782	male	C564-Sp		562507	female
C298B		561781	female	C566		562503	male
C299		562477	male	C566		562507	female
C299		562479	female	C567		562503	male
C302		563071	male	C567		562507	female
C302		563040	female	C575	RrSectionRHHatRack	562503	male
C380	Dash	563180	male	C575	RrSectionRHHatRack	562507	female
C380	Dash	563347	female	C576	RrSectionRHHatRack	561550	male
C381		561847	male	C576	RrSectionRHHatRack	561667	female
C381		561862	female	C577	RrSectionLHHatRack	561550	male
C382		561580	male	C577	RrSectionLHHatRack	561667	female
C382		561582	female	C578	RrSectionLHHatRack	562503	male
C394	FJB	560852	male	C578	RrSectionLHHatRack	562507	female
C394	FJB	560851	female	C581	UnderdashBoard	562777	male
C397	RJB	562285	male	C582	FJB	561690	female
C397	RJB	562282	female	C582	FJB	561566	female
C403		561247	male	C589	Service_Cmpt_	563088	male
C403		561248	female	C589	Service_Cmpt_	563089	female
C404		561247	male	C590	RHConsole	563088	male
C404		561248	female	C590	RHConsole	563089	female
C405		561247	male	C601	LHRoofWinAjar	561476	male
C405		561248	female	C601	LHRoofWinAjar	561477	female
C426	EngineCmpt	561782	male	C602		561476	male
C426	EngineCmpt	561781	female	C602		561477	female
C430	LHConsole	562363	male	C603	RHRoofWinAiar	561476	male



# CONNECTORS LIST

No	Location	Part #	Gender	No	Location	Part #	Gender
C603	RHRoofWinAjar	561477	female	C763		562707	male
C611	Parcel_Rack_RH	562557	male	C763		562706	female
C611	Parcel_Rack_RH	562558	female	C764		562707	male
C612_plug	Parcel_Rack_RH	562555	male	C764		562706	female
C612_socket	Parcel_Rack_RH	562556	female	C765		562707	male
C613_plug	Parcel_Rack_RH	561550	male	C765		562706	female
C613_socket	Parcel_Rack_RH	561667	female	C766		561662	male
C614		563071	male	C766		561661	female
C614		563040	female	C767		563409	male
C615		563071	male	C767		563410	female
C615		563040	female	CSE1_plug		564048	male
C616		561247	male	CSE1_socket		564047	female
C616		561248	female	CSE_plug		564048	male
C717		561646	male	CSE_socket		564047	female
C717		561645	female	CSX1	Engine_Cmpt_	563135	male
C720	Rear_Axle_Cmpt_	563358	male	CSX1	Engine_Cmpt_	563134	female
C720	Rear_Axle_Cmpt_	563359	female	CSX3	Engine_Cmpt_	563135	male
C721	RJB	561515	male	CSX3	Engine_Cmpt_	563134	female
C721	RJB	561552	female	CT2		563226	male
C723	Rear_Axle_Cmpt_	562877	female	CT2		563613	female
C723	Rear_Axle_Cmpt_	562884	female	CT3		563224	male
C750		562707	male	CTF_plug		563224	male
C750		562706	female	CVSA_plug		562503	male
C751		562707	male	CVSA_socket		562507	female
C751		562706	female	C_PA_8CH		562507	female
C752		562707	male	C_PA_8CH_0_1		562503	male
C752		562706	female	C_ST1_plug		562601	male
C753		562707	male	C_ST1_socket		563411	female
C753		562706	female	C_ST2_plug		562601	male
C754		562707	male	C_ST2_socket		563411	female
C754		562706	female	C_STR1_plug		562601	male
C755		562707	male	C_STR1_socket		563411	female
C755		562706	female	C_STR2_plug		562601	male
C758		562707	male	C_STR2_socket		563411	female
C758		562706	female	FUSE_BOX_1.A		562610	male
C759		562707	male	FUSE_BOX_1.B		562610	male
C759		562706	female	FUSE_BOX_2.A		562610	male
C760		562707	male	FUSE_BOX_2.B		562610	male
C760		562706	female	L.H.CONSOLE		560999	male
C761		562707	male	L.H.MODESTYPANEL		560999	male
C761		562706	female	L1	Service_Cmpt_	562848	male
C762		562707	male	L2	Front_Roof	561247	male
C762		562706	female	L3.A	Parcel Rack RH	562758	male

# CONNECTORS LIST

No	Location	Part #	Gender	No	Location	Part #	Gender
L3.B	Parcel_Rack_RH	562759	male	L27.B	Front_Roof	562286	male
L4.A	Parcel_Rack_RH	562758	male	L28	Parcel_Rack_LH	560898	male
L4.B	Parcel_Rack_RH	562759	male	L29	Parcel_Rack_LH	560898	male
L5.A	Parcel_Rack_RH	562758	male	L30	Parcel_Rack_LH	560898	male
L5.B	Parcel_Rack_RH	562759	male	L31	Parcel_Rack_LH	560898	male
L6.A	Parcel_Rack_RH	562758	male	L32	Parcel_Rack_LH	560898	male
L6.B	Parcel_Rack_RH	562759	male	L33	Parcel_Rack_LH	560898	male
L7.A	Parcel_Rack_RH	562758	male	L34	Parcel_Rack_LH	560898	male
L7.B	Parcel_Rack_RH	562759	male	L35	Parcel_Rack_LH	560898	male
L8.A	Parcel_Rack_RH	562758	male	L36	Parcel_Rack_LH	560898	male
L8.B	Parcel_Rack_RH	562759	male	L37	Parcel_Rack_LH	560898	male
L9.A	Parcel_Rack_LH	562758	male	L38	Parcel_Rack_LH	560898	male
L9.B	Parcel_Rack_LH	562759	male	L39	Parcel_Rack_LH	560898	male
L10.A	Parcel_Rack_LH	562758	male	L40	Parcel_Rack_RH	560898	male
L10.B	Parcel_Rack_LH	562759	male	L41	Parcel_Rack_RH	560898	male
L11.A	Parcel_Rack_LH	562758	male	L42	Parcel_Rack_RH	560898	male
L11.B	Parcel_Rack_LH	562759	male	L43	Parcel_Rack_RH	560898	male
L12.A	Parcel_Rack_LH	562758	male	L44	Parcel_Rack_RH	560898	male
L12.B	Parcel_Rack_LH	562759	male	L45	Parcel_Rack_RH	560898	male
L13.A	Parcel_Rack_LH	562758	male	L46	Parcel_Rack_RH	560898	male
L13.B	Parcel_Rack_LH	562759	male	L47	Parcel_Rack_RH	560898	male
L14.A	Parcel_Rack_LH	562758	male	L48	Parcel_Rack_RH	560898	male
L14.B	Parcel_Rack_LH	562759	male	L49	Parcel_Rack_RH	560898	male
L15.A	Parcel_Rack_LH	562758	male	L50	Parcel_Rack_RH	560898	male
L15.B	Parcel_Rack_LH	562759	male	L51	Parcel_Rack_RH	560898	male
L16	Front_Roof	562803	male	L52	Driver_Area	560898	male
L17	Front_Roof	562803	male	L53	Passenger_Area	560898	male
L18		562486	female	L54	Passenger_Area	560898	male
L19	Entrance_Door	562486	female	L55	Passenger_Area	560898	male
L20	Entrance_Door	562486	female	L56	Passenger_Area	560898	male
L21.A	Front_Roof	561608	female	L57	Passenger_Area	560898	male
L21.B	Front_Roof	562286	male	L58	Passenger_Area	560898	male
L22.A	Front_Roof	561608	female	L59.A	Outside_Front_RH	562623	male
L22.B	Front_Roof	562286	male	L59.B	Outside_Front_RH	562623	male
L23.A	Front_Roof	561608	female	L60.A	Outside_Front_LH	562623	male
L23.B	Front_Roof	562286	male	L60.B	Outside_Front_LH	562623	male
L24.A	Front_Roof	561608	female	L61	Outside_Front_RH	562601	male
L24.B	Front_Roof	562286	male	L62	Outside_Front_LH	562601	male
L25.A	Front_Roof	561608	female	L63	Outside_Front_RH	562155	male
L25.B	Front_Roof	562286	male	L64	Outside_Front_RH	562155	male
L26.A	Front_Roof	561608	female	L65	Outside_Front_LH	562155	male
L26.B	Front_Roof	562286	male	L66	Outside_Front_LH	562155	male
L27.A	Front_Roof	561608	female	L67	3rd Luaq Cmot	562155	male

# CONNECTORS LIST

No	Location	Part #	Gender	No	Location	Part #	Gender
L68	3rd_Lugg_Cmpt_	562155	male	L99	Parcel_Rack_LH	560898	male
L69	3rd_Lugg_Cmpt_	562155	male	L100	Parcel_Rack_LH	560898	male
L70	3rd_Lugg_Cmpt_	562155	male	L101	Parcel_Rack_LH	560898	male
L71	Rear_Engine_Door	562601	male	L102	Parcel_Rack_LH	560898	male
L72	Rear_Vehicle	562155	male	L103	Parcel_Rack_LH	560898	male
L73	Rear_Vehicle	562601	male	L104	Parcel_Rack_LH	560898	male
L74	Rear_Vehicle	562155	male	L105	Parcel_Rack_LH	560898	male
L75	Rear_Vehicle	562155	male	L106	Parcel_Rack_LH	560898	male
L76	Rear_Engine_Door	562155	male	L107	Parcel_Rack_LH	560898	male
L77	Rear_Engine_Door	562601	male	L108	Parcel_Rack_LH	560898	male
L78	Rear_Engine_Door	562601	male	L109	Parcel_Rack_LH	560898	male
L79	Rear_Engine_Door	562601	male	L110	Parcel_Rack_LH	560898	male
L80	Rear_Engine_Door	562601	male	L111	Parcel_Rack_LH	560898	male
L81.A	Rear_Engine_Door	562835	female	L112	Parcel_Rack_LH	560898	male
L81.B	Rear_Engine_Door	562834	male	L113	Parcel_Rack_RH	560898	male
L82	Rear_Engine_Door	562348	female	L114	Parcel_Rack_RH	560898	male
L83	Rear_Engine_Door	562348	female	L115	Parcel_Rack_RH	560898	male
L84.A	Rear_Roof	561608	female	L116	Parcel_Rack_RH	560898	male
L84.B	Rear_Roof	562286	male	L117	Parcel_Rack_RH	560898	male
L85.A	Rear_Roof	561608	female	L118	Parcel_Rack_RH	560898	male
L85.B	Rear_Roof	562286	male	L119	Parcel_Rack_RH	560898	male
L86.A	Rear_Roof	561608	female	L120	Parcel_Rack_RH	560898	male
L86.B	Rear_Roof	562286	male	L121	Parcel_Rack_RH	560898	male
L87.A	Rear_Roof	561608	female	L122	Parcel_Rack_RH	560898	male
L87.B	Rear_Roof	562286	male	L123	Parcel_Rack_RH	560898	male
L88.A	Rear_Roof	561608	female	L124	Parcel_Rack_RH	560898	male
L88.B	Rear_Roof	562286	male	L125	Parcel_Rack_RH	560898	male
L89.A	Rear_Roof	561608	female	L126	Parcel_Rack_RH	560898	male
L89.B	Rear_Roof	562286	male	L127	Parcel_Rack_RH	562758	male
L90.A	Rear_Roof	561608	female	L128	Parcel_Rack_RH	562758	male
L90.B	Rear_Roof	562286	male	L129	Parcel_Rack_RH	562758	male
L91	Engine_Cmpt_	562755	male	L130	Parcel_Rack_RH	562758	male
L92	Engine_Cmpt_	562755	male	L131	Parcel_Rack_RH	562758	male
L93.A		563069	female	L132	Parcel_Rack_RH	562758	male
L93.B		563069	female	L134	Parcel_Rack_LH	562758	male
L94.A		563069	female	L135	Parcel_Rack_LH	562758	male
L94.B		563069	female	L136	Parcel_Rack_LH	562758	male
L95	Outside_Front_LH	562902	female	L137	Parcel_Rack_LH	562758	male
L96	Outside_Front_RH	562902	female	L138	Parcel_Rack_LH	562758	male
L97.A		563069	female	L139	Parcel_Rack_LH	562758	male
L97.B		563069	female	L140	Lavatory	561247	male
L98.A		563069	female	L142	Lavatory	562803	male
L98.B		563069	female	L143	Front_Roof	561247	male

# CONNECTORS LIST

No	Location	Part #	Gender	No	Location	Part #	Gender
L144.A	Parcel_Rack_LH	562756	male	L187	Engine_Cmpt_	561690	male
L145.A	Parcel_Rack_LH	562756	male	L188	Service_Cmpt_	562486	female
L146.A	Parcel_Rack_LH	562756	male	L189	Outside_Front_RH	562069	male
L147.A	Parcel_Rack_LH	562756	male	L190	Outside_Front_LH	562069	male
L148.A	Parcel_Rack_LH	562756	male	L192	Parcel_Rack_LH	560898	male
L149.A	Parcel_Rack_LH	562756	male	L193.A	Dash	560488	female
L150.A	Parcel_Rack_LH	562756	male	L193.B	Dash	560488	female
L151.A	Parcel_Rack_LH	562756	male	L194.A	Left_Hand_Console	562019	female
L152.A	Parcel_Rack_LH	562756	male	L194.B	Left_Hand_Console	560488	female
L153.A	Parcel_Rack_LH	562756	male	L195.A	Dash	560488	female
L154.A	Parcel_Rack_LH	562756	male	L195.B	Dash	560488	female
L155.A	Parcel_Rack_LH	562756	male	L199	Engine_Cmpt_	562471	male
L156.A	Parcel_Rack_LH	562756	male	L200	Engine_Cmpt_	562471	male
L157.A	Parcel_Rack_LH	562756	male	L201	Front_Roof	561247	male
L158.A	Parcel_Rack_LH	562756	male	L202	Front_Roof	561247	male
L159.A	Parcel_Rack_RH	562756	male	L203		561690	male
L160.A	Parcel_Rack_RH	562756	male	L204		562803	male
L161.A	Parcel_Rack_RH	562756	male	L205	Evap_Cmpt_	562485	male
L162.A	Parcel_Rack_RH	562756	male	L206	Parcel_Rack_RH	562803	male
L163.A	Parcel_Rack_RH	562756	male	L207.A	5th_Lugg_Cmpt_	561699	female
L164.A	Parcel_Rack_RH	562756	male	L207.B	5th_Lugg_Cmpt_	561699	female
L165.A	Parcel_Rack_RH	562756	male	L207.C	5th_Lugg_Cmpt_	561701	female
L166.A	Parcel_Rack_RH	562756	male	L207.D	5th_Lugg_Cmpt_	561699	female
L167.A	Parcel_Rack_RH	562756	male	L207.E	5th_Lugg_Cmpt_	561701	female
L168.A	Parcel_Rack_RH	562756	male	L207.F	5th_Lugg_Cmpt_	561699	female
L169.A	Parcel_Rack_RH	562756	male	L207.G	5th_Lugg_Cmpt_	561699	female
L170.A	Parcel_Rack_RH	562756	male	L207.H	5th_Lugg_Cmpt_	560926	female
L171.A	Parcel_Rack_RH	562756	male	L207.I	5th_Lugg_Cmpt_	560926	female
L172	Parcel_Rack_RH	562756	male	L208	Outside_Front_LH	563088	male
L173	Engine_Cmpt_	563268	male	L209	Outside_Front_RH	563088	male
L174	Engine_Cmpt_	563268	male	L211	Entrance_Door	562486	female
L175	RJB	561247	male	L213.A	Parcel_Rack_RH	561248	female
L176	5th_Lugg_Cmpt_	561247	male	L213.B	Parcel_Rack_RH	561248	female
L177	5th_Lugg_Cmpt_	561247	male	L214.A	Parcel_Rack_RH	561248	female
L178	3rd_Lugg_Cmpt_	561247	male	L214.B	Parcel_Rack_RH	561248	female
L179	3rd_Lugg_Cmpt_	561247	male	L215.A	Parcel_Rack_RH	561248	female
L180	2nd_Lugg_Cmpt_	561247	male	L215.B	Parcel_Rack_RH	561248	female
L181	2nd_Lugg_Cmpt_	561247	male	L216.A	Parcel_Rack_RH	561248	female
L182	1st_Lugg_Cmpt_	561247	male	L216.B	Parcel_Rack_RH	561248	female
L183	1st_Lugg_Cmpt_	561247	male	L217.A	Parcel_Rack_RH	561248	female
L184	Service_Cmpt_	561247	male	L217.B	Parcel_Rack_RH	561248	female
L186.A		562651	female	L218.A	Parcel_Rack_RH	561248	female
L186.B		562290	female	L218.B	Parcel_Rack_RH	561248	female

# CONNECTORS LIST

No	Location	Part #	Gender	No	Location	Part #	Gender
L219.A	Parcel_Rack_LH	561248	female	L247.A	Parcel_Rack_RH	562756	male
L219.B	Parcel_Rack_LH	561248	female	L248.A	Parcel_Rack_RH	562756	male
L220.A	Parcel_Rack_LH	561248	female	L249.A		562756	male
L220.B	Parcel_Rack_LH	561248	female	L250.A		562756	male
L221.A	Parcel_Rack_LH	561248	female	L251.A		562756	male
L221.B	Parcel_Rack_LH	561248	female	L252.A		562756	male
L222.A	Parcel_Rack_LH	561248	female	L253.A		562756	male
L222.B	Parcel_Rack_LH	561248	female	L254.A		562756	male
L223.A	Parcel_Rack_LH	561248	female	L255.A		562756	male
L223.B	Parcel_Rack_LH	561248	female	L256.A		562756	male
L224.A	Parcel_Rack_LH	561248	female	L257.A		562756	male
L224.B	Parcel_Rack_LH	561248	female	L258	Parcel_Rack_RH	560898	male
L225.A	Parcel_Rack_LH	561248	female	L259	Parcel_Rack_RH	560898	male
L225.B	Parcel_Rack_LH	561248	female	L260	Parcel_Rack_RH	560898	male
L226	Parcel_Rack_RH	562758	male	L261	Parcel_Rack_RH	560898	male
L227	Parcel_Rack_RH	562758	male	L262	Parcel_Rack_RH	560898	male
L228	Parcel_Rack_RH	562758	male	L263	Parcel_Rack_RH	560898	male
L229	Parcel_Rack_RH	562758	male	L264	Parcel_Rack_RH	560898	male
L230	Parcel_Rack_RH	562758	male	L266	Parcel_Rack_RH	560898	male
L231	Parcel_Rack_RH	562758	male	L267	Parcel_Rack_RH	560898	male
L232.A	Parcel_Rack_RH	562758	male	L268	Parcel_Rack_RH	560898	male
L232.B	Parcel_Rack_RH	562759	male	L269	Parcel_Rack_RH	560898	male
L233.A	Parcel_Rack_RH	562758	male	L270	Parcel_Rack_RH	560898	male
L233.B	Parcel_Rack_RH	562759	male	L271	Parcel_Rack_RH	560898	male
L234.A	Parcel_Rack_RH	562758	male	L272	Parcel_Rack_RH	560898	male
L234.B	Parcel_Rack_RH	562759	male	L273	Parcel_Rack_RH	560898	male
L235.A	Parcel_Rack_RH	562758	male	L274	Parcel_Rack_RH	560898	male
L235.B	Parcel_Rack_RH	562759	male	L275	Parcel_Rack_RH	560898	male
L236.A	Parcel_Rack_RH	562758	male	L276	Parcel_Rack_RH	560898	male
L236.B	Parcel_Rack_RH	562759	male	L277	Parcel_Rack_RH	560898	male
L238.A	Parcel_Rack_RH	561248	female	L278	Parcel_Rack_RH	560898	male
L238.B	Parcel_Rack_RH	561248	female	L279	Parcel_Rack_RH	560898	male
L239.A	Parcel_Rack_RH	561248	female	L280	Parcel_Rack_RH	560898	male
L239.B	Parcel_Rack_RH	561248	female	L281	Parcel_Rack_RH	560898	male
L240.A	Parcel_Rack_RH	561248	female	L282	Rear_Axle_Cmpt_	561690	male
L240.B	Parcel_Rack_RH	561248	female	L293.A		560081	female
L241.A	Parcel_Rack_RH	561248	female	L293.B		560081	female
L241.B	Parcel_Rack_RH	561248	female	L294.A		560081	female
L242.A	Parcel_Rack_RH	561248	female	L294.B		560081	female
L242.B	Parcel_Rack_RH	561248	female	L295		562251	male
L244.A	Parcel_Rack_RH	562756	male	L312.A		562756	male
L245.A	Parcel_Rack_RH	562756	male	L312.B		562505	female
L246.A	Parcel_Rack_RH	562756	male	L350		562350	male

# CONNECTORS LIST

No	Location	Part #	Gender	No	Location	Part #	Gender
Mo1	Engine_Cmpt_	561690	female	R12	Evap_Cmpt_	563409	male
Mo2	Engine_Cmpt_	561782	male	R13	RJB	561183	male
Mo3	Dash	561667	female	R14	RJB	562367	male
Mo4	Dash	562076	male	R15	RJB	561183	male
Mo5	Front_Roof	561550	female	R16	Dash	561183	male
Mo6	Service_Cmpt_	561690	male	R17	RJB	562367	male
Mo7		563691	male	R18	FJB	562367	male
Mo8		563691	male	R19	FJB	562367	male
Mo10		561515	male	R20	Evap_Cmpt_	561183	male
Mo11		561515	male	R22		561183	male
Mo12	Evap_Cmpt_	561690	male	R23	Right_Hand_Console	561183	male
Mo13	Engine_Cmpt_	561690	female	R24	FJB	561183	male
Mo14	Parcel_Rack_RH	561566	female	R25	RJB	561183	male
Mo15	Front_Roof	560900	female	R26	Cond_Cmpt_	561183	male
Mo16	Front_Roof	560900	female	R27		561183	male
Mo17		563626	male	R29		563409	male
Mo18		562474	male	R31.A		562367	male
Mo19		562474	male	R35		561183	male
Mo20		562474	male	R36		561183	male
Mo21	Front_Roof	561186	male	R37		561183	male
Mo22	Right_Hand_Console	561186	male	R41		561183	male
Mo24	Right_Hand_Console	562348	female	R42		561183	male
Mo25	Right_Hand_Console	562348	female	R43		561183	male
Mo27		563691	male	R44		561183	male
Mo28		563691	male	R45		561183	male
Mo54		562474	male	R73		563409	male
Mo61		561248	female	R_AMPLI		562367	male
P36.A	Engine_Cmpt_	561701	female	R_Flip		561183	male
P36.B	Engine_Cmpt_	561701	female	R_Tv		561183	male
P36.C	Engine_Cmpt_	561701	female	Res3		563590	female
Pot1.A	Dash	560488	female	Res4		563590	female
Pot1.B	Dash	560488	female	Res5	Dash	563590	female
Pot1.C	Dash	560488	female	Res6		563590	female
R-12VISS		561183	male	Res7	FJB	563590	female
R.H.CONSOLE		560999	male	Res12	Engine_Cmpt_	563590	female
R.H.MODESTYPANEL		560999	male	Res15	RJB	561782	male
R2	RJB	561183	male	RZF1		561183	male
R3	RJB	563409	male	Se1		562486	female
R4		561183	male	Se2		562486	female
R5	RJB	561183	male	Se3		562486	female
R6	RJB	561183	male	Se4	Window_RH	561477	female
R10	Evap_Cmpt_	563409	male	Se5	Window_RH	561477	female
R11	RJB	561183	male	Se6	Window RH	561477	female

# CONNECTORS LIST

No	Location	Part #	Gender	No	Location	Part #	Gender
Se7	Window_LH	561477	female	Se63		641132	female
Se8	Window_LH	561477	female	Se64		641132	female
Se9	Window_LH	561477	female	Se65		564042	female
Se10	Window_LH	561477	female	Se66		564039	female
Se11.A	Cond_Cmpt_	560082	male	Se67		563159	female
Se11.B	Cond_Cmpt_	560082	male	Se68		563159	female
Se11.C	Cond_Cmpt_	560082	male	Se69		563159	female
Se12	Engine_Cmpt_	561690	female	So1	Engine_Cmpt_	561566	female
Se13	Engine_Cmpt_	562350	male	So3		641385	male
Se14.A	Driver_Area	561782	male	So4		641385	male
Se14.B	Driver_Area	561781	female	So5		641385	male
Se15	Right_Hand_Console	560898	male	So6		641385	male
Se16	Entrance_Door	562348	female	So7	Service_Cmpt_	561566	male
Se17	Entrance_Door	560081	female	So8	Service_Cmpt_	563204	female
Se19		563677	male	So9	Engine_Cmpt_	561566	female
Se19A		563677	male	So10	Cond_Cmpt_	562485	male
Se20	Evap_Cmpt_	562426	male	So11	Cond_Cmpt_	561566	female
Se21	Dash	561248	female	So13	Evap_Cmpt_	563204	female
Se23	Engine_Cmpt_	563159	male	So14		564045	female
Se24	Engine_Cmpt_	563159	male	So15		564045	female
Se25	Passenger_Area	561248	female	So16		564045	female
Se26	Service_Cmpt_	561690	female	So17		564045	female
Se27	Front_Axle_Cmpt_	561111	female	So18		641385	male
Se28		561690	male	So19		641385	male
Se29		561566	female	So20		564045	female
Se30	Engine_Cmpt_	561690	female	So21		564046	female
Se31	Engine_Cmpt_	561690	female	So22		564046	female
Se32	Engine_Cmpt_	563057	male	So23		564046	female
Se33	Engine_Cmpt_	562856	male	So24		564046	female
Se34	Engine_Cmpt_	563057	male	So25		641949	male
Se35	Engine_Cmpt_	563057	male	So26		641385	male
Se36		563629	female	So27		564045	female
Se37		641132	female	So50		564046	female
Se38		641132	female	So51		564046	female
Se39		641132	female	So52		564045	female
Se40		641132	female	Sp17_R		563994	male
Se41		562486	female	Spk1_L		563994	male
Se43		563340	male	Spk1_R		563994	male
Se44.A		560082	female	Spk2_L		563994	male
Se44.B		560082	female	Spk2_R		563994	male
Se45		563409	male	Spk3_L		563994	male
Se46		562348	female	Spk3_R		563994	male
Se60		563409	male	Spk4_L		563994	male

# CONNECTORS LIST

No	Location	Part #	Gender	No	Location	Part #	Gender
Spk4_R		563994	male	Sw16		562763	male
Spk5_L		563994	male	Sw17	Dash	562763	male
Spk5_R		563994	male	Sw18A		562763	male
Spk6_L		563994	male	Sw20		562763	male
Spk6_R		563994	male	Sw21		562763	male
Spk7_L		563994	male	Sw23	Dash	562763	male
Spk7_R		563994	male	Sw24		562763	male
Spk8_L		563994	male	Sw25	Dash	562763	male
Spk8_R		563994	male	Sw26		562763	male
Spk9_L		563994	male	Sw27		562763	male
Spk9_R		563994	male	Sw29		562763	male
Spk10_L		563994	male	Sw30		561566	female
Spk10_R		563994	male	Sw31	WCL_Door	563543	male
Spk11_L		563994	male	Sw32	Dash	561477	female
Spk11_R		563994	male	Sw33	Dash	561476	male
Spk12_L		563994	male	Sw34	Outside_Front_RH	562477	male
Spk12_R		563994	male	Sw35		562763	male
Spk13_L		563994	male	Sw38	Left_Hand_Console	562763	male
Spk13_R		563994	male	Sw39.A		562403	female
Spk14_L		563994	male	Sw39.B		562403	female
Spk14_R		563994	male	Sw40	Left_Hand_Console	561690	male
Spk15_L		563994	male	Sw41	Left_Hand_Console	562749	male
Spk15_R		563994	male	Sw42	5th_Lugg_Cmpt_	561635	female
Spk16_L		563994	male	Sw43	Service_Cmpt_	561690	male
Spk16_R		563994	male	Sw44.A		562403	female
SpkDr_L		563994	male	Sw44.B		562403	female
SpkDr_R		563994	male	Sw45.A	5th_Lugg_Cmpt_	562403	female
Sub1.A		564004	female	Sw45.B	5th_Lugg_Cmpt_	562403	female
Sub2		564004	female	Sw46.A	5th_Lugg_Cmpt_	562403	female
Sw1.C258		561188	female	Sw46.B	5th_Lugg_Cmpt_	562403	female
Sw1.C259		561186	male	Sw47.A	3rd_Lugg_Cmpt_	562403	female
Sw2	Dash	562763	male	Sw47.B	3rd_Lugg_Cmpt_	562403	female
Sw3		562763	male	Sw48.A	3rd_Lugg_Cmpt_	562403	female
Sw4		562763	male	Sw48.B	3rd_Lugg_Cmpt_	562403	female
Sw5	Dash	562763	male	Sw49.A	2nd_Lugg_Cmpt_	562403	female
Sw6		562763	male	Sw49.B	2nd_Lugg_Cmpt_	562403	female
Sw7.A	Cond_Cmpt_	562403	female	Sw50.A	2nd_Lugg_Cmpt_	562403	female
Sw7.B	Cond_Cmpt_	562403	female	Sw50.B	2nd_Lugg_Cmpt_	562403	female
Sw10A		562763	male	Sw51.A	1st_Lugg_Cmpt_	562403	female
Sw11A		562763	male	Sw51.B	1st_Lugg_Cmpt_	562403	female
Sw12		562763	male	Sw52	1st_Lugg_Cmpt_	562403	female
Sw13	Dash	562763	male	Sw52.B	1st_Lugg_Cmpt_	562403	female
Sw14		562763	male	Sw53	Parcel Rack LH	562651	female



# CONNECTORS LIST

No	Location	Part #	Gender	No	Location	Part #	Gender
Sw55.A	Lavatory	560488	female	Sw89	Parcel_Rack_RH	562651	female
Sw55.B	Lavatory	560488	female	Sw90	Parcel_Rack_RH	562651	female
Sw56.A	Lavatory	560488	female	Sw91	Parcel_Rack_RH	562651	female
Sw56.B	Lavatory	560488	female	Sw92	Parcel_Rack_RH	562651	female
Sw57	WCL_Door	563543	male	Sw93	Parcel_Rack_RH	562651	female
Sw58	Engine_Cmpt_	562581	male	Sw94.A		562403	female
Sw59	Engine_Cmpt_	562485	male	Sw94.B		562403	female
Sw60	Engine_Cmpt_	561566	female	Sw95.A	WCL_Door	561626	female
Sw63A		562763	male	Sw95.B	WCL_Door	561626	female
Sw64.A		560815	female	Sw96.A	WCL_Door	561626	female
Sw64.B		560815	female	Sw96.B	WCL_Door	561626	female
Sw65	Parcel_Rack_LH	562651	female	Sw97.A		562119	female
Sw66	Parcel_Rack_LH	562651	female	Sw97.B		562119	female
Sw67	Parcel_Rack_LH	562651	female	Sw100A		562763	male
Sw68	Parcel_Rack_LH	562651	female	Sw103		562957	male
Sw69	Parcel_Rack_LH	562651	female	Sw125.A		561457	female
Sw70	Parcel_Rack_LH	562651	female	Sw125.B		561457	female
Sw71	Parcel_Rack_LH	562651	female	Sw152	Left_Hand_Console	562471	male
Sw72	Parcel_Rack_LH	562651	female	Sw299		562763	male
Sw73	Parcel_Rack_RH	562651	female	Sw300		562763	male
Sw74	Parcel_Rack_RH	562651	female	Sw301		562763	male
Sw75	Parcel_Rack_RH	562651	female	Sw302		562763	male
Sw76	Parcel_Rack_RH	562651	female	Sw304		562763	male
Sw77	Parcel_Rack_RH	562651	female	sym610_150.J1		561017	female
Sw78	Parcel_Rack_RH	562651	female	sym612_150.J1		560900	female
Sw79	Parcel_Rack_RH	562651	female	sym613_150.J1		560852	male
Sw80	Parcel_Rack_RH	562651	female	sym614_150.J1		560900	female
Sw81.A	Dash	562905	male	sym615_150.J1		560900	female
Sw81.B	Dash	562905	male	Tab128		561626	N/A
Sw82.A	RJB	561457	female	Tab129		561626	N/A
Sw82.B	RJB	561457	female	VECF1	FJB	563186	male
Sw82.C	RJB	561457	female	VECF2	FJB	563183	male
Sw82.D	RJB	561457	female	VECF3	FJB	563185	male
Sw83.A	Dash	560082	female	VECF4	FJB	563182	male
Sw83.B	Dash	560815	female	VECF9		563448	male
Sw83.C	Dash	560082	female	VECF10	FJB	563181	male
Sw83.D	Dash	560815	female	VECF11	FJB	563184	male
Sw84.A	Service_Cmpt_	562477	male	VECF12	FJB	563187	male
Sw84.B	Service_Cmpt_	560488	female	VECR1	RJB	563186	male
Sw85	Left_Hand_Console	562749	male	VECR2	RJB	563183	male
Sw86	Parcel_Rack_RH	562651	female	VECR3	RJB	563185	male
Sw87	Parcel_Rack_RH	562651	female	VECR4	RJB	563182	male
Sw88	Parcel_Rack_RH	562651	female	VECR9	RJB	563448	male



# CONNECTORS LIST

No	Location	Part #	Gender	No	Location	Part #	Gender
12VI	Porte-Colis	563071	male	A24.A	Right_Hand_Console	561890	male
A1		563975	male	A24.B	Right_Hand_Console	561566	female
A2		563984	male	A25		563025	male
A2A		563984	male	A27	Service_Cmpt_	562929	male
A3	Dash	562363	male	A28	Service_Cmpt_	562928	male
A4.A		562428	female	A29		562464	male
A4.B		561188	female	A33.A		564004	female
A4A.A		562428	female	A33.B		562330	female
A4A.B		561188	female	A34		563463	male
A5	Service_Cmpt_	562428	female	A35		563463	male
A5A		562428	female	A36.JA	FJB	562767	male
A6		562427	male	A36.JB	FJB	562765	male
A7		563979	male	A36.JC	FJB	562957	male
A9.Cx1		564041	female	A37		563463	male
A9.Cx2		563678	male	A38		563463	male
A9.Cx3		564037	female	A39.P101		563201	male
A9.Cx4		564038	female	A39.P901		563953	male
A10.X1	Engine_Cmpt_	563135	male	A40.A		563040	female
A10.X3	Engine_Cmpt_	563134	female	A40.B		562706	female
A11	Left_Hand_Console	563142	male	A40.C		563070	male
A12	Dash	562464	male	A40.D		562706	female
A13.J1	FJB	562794	male	A41.J1	FJB	562767	male
A13.J2	FJB	562650	male	A41.J2	FJB	563132	male
A14.CX	Dash	562957	male	A41.J3	FJB	562957	male
A14.CY	Dash	562765	male	A42.J1	FJB	562767	male
A14.LX	Dash	562766	male	A42.J2	FJB	563132	male
A14.LY	Dash	562767	male	A42.J3	FJB	562957	male
A14.RX	Dash	562767	male	A43.J1	FJB	562767	male
A14A.A		562766	male	A43.J2	FJB	563132	male
A14A.B		562767	male	A43.J3	FJB	562957	male
A14A.C		562765	male	A44.J1	FJB	563133	male
A15	Dash	562464	male	A44.J2	FJB	563132	male
A16	Front_Roof	561637	male	A44.J3	FJB	562957	male
A18.J1	FJB	562794	male	A45.J1	FJB	563133	male
A18.J2	FJB	562650	male	A45.J2	FJB	563132	male
A19	Left_Hand_Console	562878	female	A45.J3	FJB	562957	male
A20	Parcel_Rack_LH	561477	female	A46.J1	FJB	563133	male
A21	Rear_Axle_Cmpt_	kostalF	female	A46.J2	FJB	563132	male
A22	Left_Hand_Console	563338	male	A46.J3	FJB	562957	male
A22A		563338	male	A47.J1	Right_Hand_Console	563133	male
A23.A		563678	male	A47.J2	Right_Hand_Console	563132	male
A23.B		563953	male	A47.J3	Right_Hand_Console	562957	male
A24	Right Hand Console	561889	female	A48.J1	Right Hand Console	563133	male

# CONNECTORS LIST

No	Location	Part #	Gender	No	Location	Part #	Gender
A48.J2	Right_Hand_Console	563132	male	A67.Vse		563951	male
A48.J3	Right_Hand_Console	562957	male	A68.A		563960	male
A49.J1	RJB	562767	male	A68.B		563962	male
A49.J2	RJB	563132	male	A68.C		564009	male
A49.J3	RJB	562957	male	A68.D		563961	male
A50.J1	RJB	563133	male	A69.A		563071	male
A50.J2	RJB	563132	male	A69.B		561716	female
A50.J3	RJB	562957	male	A69.C		561716	female
A51.J1	RJB	563133	male	A69.D		561716	female
A51.J2	RJB	563132	male	A69.E		561716	female
A51.J3	RJB	562957	male	A69.F		561716	female
A52.J1	RJB	563133	male	A69.G		561716	female
A52.J2	RJB	563132	male	A69.H		561716	female
A52.J3	RJB	562957	male	A70		564011	female
A53.J1	RJB	563133	male	A70a		564011	male
A53.J2	RJB	563132	male	A71.A		562464	male
A53.J3	RJB	562957	male	A71.B		562706	female
A54.J1	Evap_Cmpt_	563133	male	A71.C		562706	female
A54.J2	Evap_Cmpt_	563132	male	A71.D		562706	female
A54.J3	Evap_Cmpt_	562957	male	A71.E		562706	female
A55.J1		562767	male	A71.F		562706	female
A55.J2		563132	male	A72.J1		563675	male
A55.J3		562957	male	A72.J2		563678	male
A60.A		562464	male	A72.J3		563679	male
A60.B		562706	female	A72.J4		563680	male
A60.C		562706	female	A73.J1		563681	male
A60.D		562706	female	A73.J2		563684	male
A60.E		562706	female	A74		563207	male
A60.F		562706	female	A75.A		563960	male
A61.A		562464	male	A75.B		563962	male
A61.B		562465	male	A79		564033	female
A63.A		563960	male	A81.JA		562767	male
A63.B		563962	male	A81.JB		562765	male
A63.C		564009	male	A81.JC		562957	male
A63.D		563961	male	A81A.JA		562767	male
A64		563954	male	A81A.JB		562765	male
A65		562465	male	A81A.JC		562957	male
A65OP		562465	male	A83		562767	male
A66		561183	male	A84.A		564004	female
A67.Vsa		563948	male	A92.A		561626	female
A67.Vsb		563950	male	A92.B		562549	male
A67.Vsc		563947	male	A92.C		562556	female
A67.Vsd		563949	male	A92.D		562706	female

# CONNECTORS LIST

No	Location	Part #	Gender	No	Location	Part #	Gender
A92.E		562706	female	A120.C2		563957	male
A92.F		562706	female	A120.C3		563958	male
A92.G		562706	female	A120.D		563961	male
A93.A		562559	female	A121.Vsa		563679	male
A93.B		562559	female	A121.Vsb		563678	male
A93.C		562559	female	A121.Vsc		564037	female
A94.A		560852	male	A121.Vsd		564118	male
A94.B		562706	female	A130		563226	male
A94.C		562706	female	A131.A		561782	male
A96		564073	female	A131.B		561781	female
A97		563226	male	A137		563782	male
A100		563758	female	A137A.J1		563470	male
A101		563758	female	A137A.J2		563471	male
A102		563758	female	A138		563787	male
A103		562070	female	A138A		563787	male
A104		562649	female	Alt1.A		563746	female
A104.J2		563489	male	Alt1.B		560815	female
A104.J3		563803	male	Alt1.C		563746	female
A105		562649	female	Alt1D.A		563746	female
A106		562649	female	Alt1D.B		560815	female
A107		20393942	female	Alt1D.C		564469	female
A108		562766	male	Alt2.A		563746	female
A109		563774	male	Alt2.B		560815	female
A109A		563679	male	Alt2.C		563746	female
A110		564004	female	Alt2D.A		563746	female
A111.A		562464	male	Alt2D.B		560815	female
A111.B		562706	female	Alt2D.C		564469	female
A111.C		562706	female	B142B		563793	male
A111.D		562706	female	B142C		563793	male
A111.E		562706	female	BOOM		560999	male
A111.F		562706	female	C1	Service_Cmpt_	563589	male
A112.A		563071	male	C1	Service_Cmpt_	563590	female
A112.C		562706	female	C1S	Service_Cmpt_	563589	male
A112.D		562706	female	C1S	Service_Cmpt_	563590	female
A113.A		563960	male	C2		563580	male
A113.B		563962	male	C2		563581	female
A113.C1		563956	male	C2A		563580	male
A113.C2		563957	male	C2A		563581	female
A113.C3		563958	male	C3	RJB	563589	male
A113.D		563961	male	C3	RJB	563590	female
A120.A		563960	male	C3S		563589	male
A120.B		563962	male	C3S		563590	female
A120.C1		563956	male	C4	Service Cmpt	563580	male

# CONNECTORS LIST

No	Location	Part #	Gender	No	Location	Part #	Gender
C4	Service_Cmpt_	563581	female	C24_plug	Evap_Cmpt_	561690	male
C5	Service_Cmpt_	563589	male	C24_socket	Evap_Cmpt_	561566	female
C5	Service_Cmpt_	563590	female	C25		561550	male
C5S	Service_Cmpt_	563589	male	C25		561667	female
C5S	Service_Cmpt_	563590	female	C26		562005	male
C6	Service_Cmpt_	563582	male	C26		561714	female
C6	Service_Cmpt_	563583	female	C27		562005	male
C7		563589	female	C27		561714	female
C7		563590	female	C29	5th_Lugg_Cmpt_	563651	male
C8		563589	female	C29	5th_Lugg_Cmpt_	563652	female
C8		563590	female	C30	5th_Lugg_Cmpt_	561710	male
C9	Evap_Cmpt_	561986	male	C30	5th_Lugg_Cmpt_	561709	female
C9	Evap_Cmpt_	561987	female	C31		561734	male
C10		562477	male	C31		561735	female
C10		562479	female	C32	5th_Lugg_Cmpt_	561550	male
C11	Service_Cmpt_	563580	male	C32	5th_Lugg_Cmpt_	561667	female
C11	Service_Cmpt_	563581	female	C33	RHFrontRoof	561550	male
C13S	Right_Hand_Console	563589	male	C33	RHFrontRoof	561667	female
C13S	Right_Hand_Console	563590	female	C34	Right_Hand_Console	561986	male
C13_plug		563589	male	C34	Right_Hand_Console	561987	female
C13_socket		563590	female	C35	RJB	562283	male
C14	Evap_Cmpt_	561986	male	C35	RJB	562280	female
C14	Evap_Cmpt_	561987	female	C37	Parcel_Rack_LH	562557	male
C15		561643	male	C37	Parcel_Rack_LH	562558	female
C15		561642	female	C38	Parcel_Rack_RH	562555	male
C16	RJB	561577	male	C38	Parcel_Rack_RH	562556	female
C16	RJB	561605	female	C39		562503	male
C17	RJB	561986	male	C39		562507	female
C17	RJB	561987	female	C40	Dash	562485	male
C18	FJB	561986	male	C40	Dash	562486	female
C18	FJB	561987	female	C41	RJB	561690	male
C19	RJB	561986	male	C41	RJB	561566	female
C19	RJB	561987	female	C43	Lavatory	561661	female
C20		561668	male	C43	Lavatory	561662	male
C20		561551	female	C44_plug	FJB	561577	male
C21A	RJB	561646	male	C44_socket	FJB	561605	female
C21A	RJB	561645	female	C45	FJB	561643	male
C21B	RJB	561646	male	C45	FJB	561642	female
C21B	RJB	561645	female	C46	FJB	561577	male
C22	RJB	561847	male	C46	FJB	561605	female
C22	RJB	561862	female	C47		561247	male
C23	5thLugg.Cmpt	561847	male	C47		561248	female
C23	5thLuag.Cmpt	561862	female	C48	Service Cmpt	561690	male

# CONNECTORS LIST

No	Location	Part #	Gender	No	Location	Part #	Gender
C48	Service_Cmpt_	561566	female	C97		561583	male
C49		562005	male	C97		561585	female
C49		561714	female	C99		561782	male
C49A		562005	male	C99		561781	female
C49A		561714	female	C100	5th_Lugg_Cmpt_	563589	male
C51		562477	male	C100	5th_Lugg_Cmpt_	563590	female
C51		562479	female	C100S	5th_Lugg_Cmpt_	563589	male
C52		563735	male	C100S	5th_Lugg_Cmpt_	563590	female
C53		561539	male	C101	Service_Cmpt_	561690	male
C53		561540	female	C101	Service_Cmpt_	561566	female
C54		563804	male	C102		561690	male
C54A		563580	male	C102		561566	female
C54A		563581	female	C103_plug		562485	male
C55	Evap_Cmpt_	561577	male	C103_socket		562486	female
C55	Evap_Cmpt_	561605	female	C105_plug		562581	male
C66		561577	male	C105_socket		562583	female
C66		561605	female	C106_plug		562581	male
C67		561247	male	C106_socket		562583	female
C67		561248	female	C119	EngineDoor	561607	male
C69		561583	male	C119	EngineDoor	561606	female
C69		561585	female	C120	EngineDoor	561607	male
C70		562557	male	C120	EngineDoor	561606	female
C70		562558	female	C121	EngineDoor	561690	male
C71	Service_Cmpt_	561646	male	C121	EngineDoor	561566	female
C71	Service_Cmpt_	561645	female	C122		561690	male
C72		561646	male	C122		561566	female
C72		561645	female	C123		561690	male
C74		561645	female	C123		561566	female
C74		561646	male	C124		561577	male
C78		561690	male	C124		561605	female
C78		561566	female	C125	Service_Cmpt_	562503	male
C82		562581	male	C125	Service_Cmpt_	562507	female
C82		562583	female	C126		562581	male
C87	Lavatory	561637	male	C126		562583	female
C87	Lavatory	561636	female	C127		563412	male
C91		562285	male	C127		563413	female
C91		562282	female	C128		563412	male
C92		561734	male	C128		563413	female
C92		561735	female	C129		563412	male
C94		561577	male	C129		563413	female
C94		561605	female	C130		563412	male
C96		561643	male	C130		563413	female
C96		561642	female	C131		563412	male

# CONNECTORS LIST

No	Location	Part #	Gender	No	Location	Part #	Gender
C131		563413	female	C223		563227	male
C132		563412	male	C223		563614	female
C132		563413	female	C224		561637	male
C133		563412	male	C224		561636	female
C133		563413	female	C225		562649	female
C134		563412	male	C225_0_1		562650	male
C134		563413	female	C230	Engine_Cmpt_	562485	male
C141		561247	male	C230	Engine_Cmpt_	562486	female
C141		561248	female	C239	Service_Cmpt_	561690	male
C144	UnderLHSeat	560852	male	C239	Service_Cmpt_	561566	female
C144	UnderLHSeat	560851	female	C240	Service_Cmpt_	561607	male
C152	CondensorCmpt.	561611	male	C240	Service_Cmpt_	561606	female
C152	CondensorCmpt.	561610	female	C242	Service_Cmpt_	562789	male
C155		561626	female	C242	Service_Cmpt_	565131	female
C155		561904	female	C243	Service_Cmpt_	562789	male
C171	Service_Cmpt_	561646	male	C243	Service_Cmpt_	565131	female
C171	Service_Cmpt_	561645	female	C246	Service_Cmpt_	563090	male
C183	Service_Cmpt_	561611	male	C246	Service_Cmpt_	563091	female
C183	Service_Cmpt_	561610	female	C260	Service_Cmpt_	561607	male
C184_plug		561566	female	C260	Service_Cmpt_	561606	female
C184_socket		561690	male	C269	RHConsole	563090	male
C185_plug		561782	male	C269	RHConsole	563091	female
C185_socket		561781	female	C279	Service_Cmpt_	562477	male
C186_plug		561782	male	C279	Service_Cmpt_	562479	female
C186_socket		561781	female	C279A		561690	male
C187_plug		561782	male	C279A		561566	female
C187_socket		561781	female	C284		561782	male
C193		563589	male	C284		561781	female
C193		563590	female	C284-1		561782	male
C194		563589	male	C284-1		561781	female
C194		563590	female	C284-2		561782	male
C200		562471	male	C284-2		561781	female
C200		562348	female	C284-3		561782	male
C206		562503	male	C284-3		561781	female
C206		562507	female	C284-4		561782	male
C207		562503	male	C284-4		561781	female
C207		562507	female	C284-5		561782	male
C209		562503	male	C284-5		561781	female
C209		562507	female	C298		561782	male
C212	WCL_Door	561515	male	C298		561781	female
C212	WCL_Door	561552	female	C298A		561782	male
C222		562477	male	C298A		561781	female
C222		562479	female	C298B		561782	male



# CONNECTORS LIST

No	Location	Part #	Gender	No	Location	Part #	Gender
C298B		561781	female	C575	RrSectionRHHatRack	562503	male
C302		563071	male	C575	RrSectionRHHatRack	562507	female
C302		563040	female	C576	RrSectionRHHatRack	561550	male
C380	Dash	563180	male	C576	RrSectionRHHatRack	561667	female
C380	Dash	563347	female	C577	RrSectionLHHatRack	561550	male
C381		561847	male	C577	RrSectionLHHatRack	561667	female
C381		561862	female	C578	RrSectionLHHatRack	562503	male
C382		561580	male	C578	RrSectionLHHatRack	562507	female
C382		561582	female	C582	FJB	561690	female
C397	RJB	562285	male	C582	FJB	561566	female
C397	RJB	562282	female	C589	Service_Cmpt_	563088	male
C403		561247	male	C589	Service_Cmpt_	563089	female
C403		561248	female	C590	RHConsole	563088	male
C404		561247	male	C590	RHConsole	563089	female
C404		561248	female	C601	LHRoofWinAjar	561476	male
C405		561247	male	C601	LHRoofWinAjar	561477	female
C405		561248	female	C602		561476	male
C426	EngineCmpt	561782	male	C602		561477	female
C426	EngineCmpt	561781	female	C603	RHRoofWinAjar	561476	male
C430	LHConsole	562363	male	C603	RHRoofWinAjar	561477	female
C430	LHConsole	561188	female	C611	Parcel_Rack_RH	562557	male
C452	Dash	562549	male	C611	Parcel_Rack_RH	562558	female
C452	Dash	562550	female	C612_plug	Parcel_Rack_RH	562555	male
C463	Engine_Cmpt_	562570	female	C612_socket	Parcel_Rack_RH	562556	female
C463	Engine_Cmpt_	562571	male	C613_plug	Parcel_Rack_RH	561550	male
C464	RJB	563180	male	C613_socket	Parcel_Rack_RH	561667	female
C464	RJB	563347	female	C614		563071	male
C465		562581	male	C614		563040	female
C465		562583	female	C615		563071	male
C506	FJB	561687	male	C615		563040	female
C506	FJB	561685	female	C616		561247	male
C542		561550	male	C616		561248	female
C542		561667	female	C617		563801	male
C558		562503	male	C617		563800	female
C558		562507	female	C618		563801	male
C564		562503	male	C618		563800	female
C564		562507	female	C717		561646	male
C564-Sp		562503	male	C717		561645	female
C564-Sp		562507	female	C717A		561583	male
C566		562503	male	C717A		561585	female
C566		562507	female	C720	Rear_Axle_Cmpt_	563358	male
C567		562503	male	C720	Rear_Axle_Cmpt_	563359	female
C567		562507	female	C721	RJB	561515	male

# CONNECTORS LIST

No	Location	Part #	Gender	No	Location	Part #	Gender
C721	RJB	561552	female	CMS2_plug		563601	male
C721A		561515	male	CMS2_socket		563600	female
C721A		561552	female	CMS3_plug		563601	male
C723	Rear_Axle_Cmpt_	562877	female	CMS3_socket		563600	female
C723	Rear_Axle_Cmpt_	562884	female	CMS4_plug		563601	male
C750		901283	female	CMS4_socket		563600	female
C751		901110	male	CP1		561782	male
C752		901283	female	CP1		561781	female
C753		901283	female	C_ST1_plug		562601	male
C754		562707	male	C_ST1_socket		563411	female
C754		562706	female	C_ST2_plug		562601	male
C755		562707	male	C_ST2_socket		563411	female
C755		562706	female	C_STR1_plug		562601	male
C758		562707	male	C_STR1_socket		563411	female
C758		562706	female	C_STR2_plug		562601	male
C759		562707	male	C_STR2_socket		563411	female
C759		562706	female	Cp1		561782	male
C760		562707	male	Cp1		561781	female
C760		562706	female	Cp2		561782	male
C761		562707	male	Cp2		561781	female
C761		562706	female	CP3		561782	male
C762		562707	male	CP3		561781	female
C762		562706	female	CPI2		561782	male
C763		562707	male	CPI2		561781	female
C763		562706	female	CPr1		561782	male
C764		562707	male	CPr1		561781	female
C764		562706	female	CSS2		562477	male
C765		562707	male	CSS2		562479	female
C765		562706	female	CSX1	Engine_Cmpt_	563135	male
C766		561662	male	CSX1	Engine_Cmpt_	563134	female
C766		561661	female	CSX3	Engine_Cmpt_	563135	male
C767		563409	male	CSX3	Engine_Cmpt_	563134	female
C767		563410	female	CT2		563226	male
C768		901283	female	CT2		563613	female
C769		901283	female	CT3		563224	male
C770		901283	female	CTF_plug		563224	male
C771		901283	female	CVSA_plug		562503	male
C777		562477	male	CVSA_socket		562507	female
C777		562479	female	C_PA_8CH		562507	female
C800		561550	male	C_PA_8CH_0_1		562503	male
C800		561667	female	EI		563739	male
CMS1_plug		563601	male	FUSE_BOX_1.A		562610	male
CMS1_socket		563600	female	FUSE_BOX_1.B		562610	male

# CONNECTORS LIST

No	Location	Part #	Gender	No	Location	Part #	Gender
FUSE_BOX_2.A	Porte-Colis	562610	male	L22.B	Front_Roof	562286	male
FUSE_BOX_2.B		562610	male	L23.A	Front_Roof	561608	female
J14		563808	male	L23.B	Front_Roof	562286	male
J25		563277	female	L24.A	Front_Roof	561608	female
J26		563277	female	L24.B	Front_Roof	562286	male
L.H.CONSOLE		560999	male	L25.A	Front_Roof	561608	female
L.H.MODESTYPANEL		560999	male	L25.B	Front_Roof	562286	male
L1		561566	female	L26.A	Front_Roof	561608	female
L2	Front_Roof	561247	male	L26.B	Front_Roof	562286	male
L3.A	Parcel_Rack_RH	562758	male	L27.A	Front_Roof	561608	female
L3.B	Parcel_Rack_RH	562759	male	L27.B	Front_Roof	562286	male
L4.A	Parcel_Rack_RH	562758	male	L28	Parcel_Rack_LH	560898	male
L4.B	Parcel_Rack_RH	562759	male	L29	Parcel_Rack_LH	560898	male
L5.A	Parcel_Rack_RH	562758	male	L30	Parcel_Rack_LH	560898	male
L5.B	Parcel_Rack_RH	562759	male	L31	Parcel_Rack_LH	560898	male
L6.A	Parcel_Rack_RH	562758	male	L32	Parcel_Rack_LH	560898	male
L6.B	Parcel_Rack_RH	562759	male	L33	Parcel_Rack_LH	560898	male
L7.A	Parcel_Rack_RH	562758	male	L34	Parcel_Rack_LH	560898	male
L7.B	Parcel_Rack_RH	562759	male	L35	Parcel_Rack_LH	560898	male
L8.A	Parcel_Rack_RH	562758	male	L36	Parcel_Rack_LH	560898	male
L8.B	Parcel_Rack_RH	562759	male	L37	Parcel_Rack_LH	560898	male
L9.A	Parcel_Rack_LH	562758	male	L38	Parcel_Rack_LH	560898	male
L9.B	Parcel_Rack_LH	562759	male	L39	Parcel_Rack_LH	560898	male
L10.A	Parcel_Rack_LH	562758	male	L40	Parcel_Rack_RH	560898	male
L10.B	Parcel_Rack_LH	562759	male	L41	Parcel_Rack_RH	560898	male
L11.A	Parcel_Rack_LH	562758	male	L42	Parcel_Rack_RH	560898	male
L11.B	Parcel_Rack_LH	562759	male	L43	Parcel_Rack_RH	560898	male
L12.A	Parcel_Rack_LH	562758	male	L44	Parcel_Rack_RH	560898	male
L12.B	Parcel_Rack_LH	562759	male	L45	Parcel_Rack_RH	560898	male
L13.A	Parcel_Rack_LH	562758	male	L46	Parcel_Rack_RH	560898	male
L13.B	Parcel_Rack_LH	562759	male	L47	Parcel_Rack_RH	560898	male
L14.A	Parcel_Rack_LH	562758	male	L48	Parcel_Rack_RH	560898	male
L14.B	Parcel_Rack_LH	562759	male	L49	Parcel_Rack_RH	560898	male
L15.A	Parcel_Rack_LH	562758	male	L50	Parcel_Rack_RH	560898	male
L15.B	Parcel_Rack_LH	562759	male	L51	Parcel_Rack_RH	560898	male
L16	Front_Roof	562803	male	L52	Driver_Area	560898	male
L17	Front_Roof	562803	male	L53	Passenger_Area	560898	male
L18		562486	female	L54	Passenger_Area	560898	male
L19	Entrance_Door	562486	female	L55	Passenger_Area	560898	male
L20	Entrance_Door	562486	female	L56	Passenger_Area	560898	male
L21.A	Front_Roof	561608	female	L57	Passenger_Area	560898	male
L21.B	Front_Roof	562286	male	L58	Passenger_Area	560898	male
L22.A	Front_Roof	561608	female	L63	Outside Front RH	562155	male

# CONNECTORS LIST

No	Location	Part #	Gender	No	Location	Part #	Gender
L64	Outside_Front_RH	562155	male	L96A		562485	male
L65	Outside_Front_LH	562155	male	L96B		562485	male
L66	Outside_Front_LH	562155	male	L97.A		563069	female
L67	3rd_Lugg_Cmpt_	562155	male	L97.B		563069	female
L68	3rd_Lugg_Cmpt_	562155	male	L98.A		563069	female
L69	3rd_Lugg_Cmpt_	562155	male	L98.B		563069	female
L70	3rd_Lugg_Cmpt_	562155	male	L99	Parcel_Rack_LH	560898	male
L71	Rear_Engine_Door	562601	male	L100	Parcel_Rack_LH	560898	male
L72	Rear_Vehicle	562155	male	L101	Parcel_Rack_LH	560898	male
L73	Rear_Vehicle	562601	male	L102	Parcel_Rack_LH	560898	male
L74	Rear_Vehicle	562155	male	L103	Parcel_Rack_LH	560898	male
L75	Rear_Vehicle	562155	male	L104	Parcel_Rack_LH	560898	male
L76	Rear_Engine_Door	562155	male	L105	Parcel_Rack_LH	560898	male
L77	Rear_Engine_Door	562601	male	L106	Parcel_Rack_LH	560898	male
L78	Rear_Engine_Door	562601	male	L107	Parcel_Rack_LH	560898	male
L79	Rear_Engine_Door	562601	male	L108	Parcel_Rack_LH	560898	male
L80	Rear_Engine_Door	562601	male	L109	Parcel_Rack_LH	560898	male
L81.A	Rear_Engine_Door	562835	female	L110	Parcel_Rack_LH	560898	male
L81.B	Rear_Engine_Door	562834	male	L111	Parcel_Rack_LH	560898	male
L82	Rear_Engine_Door	562348	female	L112	Parcel_Rack_LH	560898	male
L83	Rear_Engine_Door	562348	female	L113	Parcel_Rack_RH	560898	male
L84.A	Rear_Roof	561608	female	L114	Parcel_Rack_RH	560898	male
L84.B	Rear_Roof	562286	male	L115	Parcel_Rack_RH	560898	male
L85.A	Rear_Roof	561608	female	L116	Parcel_Rack_RH	560898	male
L85.B	Rear_Roof	562286	male	L117	Parcel_Rack_RH	560898	male
L86.A	Rear_Roof	561608	female	L118	Parcel_Rack_RH	560898	male
L86.B	Rear_Roof	562286	male	L119	Parcel_Rack_RH	560898	male
L87.A	Rear_Roof	561608	female	L120	Parcel_Rack_RH	560898	male
L87.B	Rear_Roof	562286	male	L121	Parcel_Rack_RH	560898	male
L88.A	Rear_Roof	561608	female	L122	Parcel_Rack_RH	560898	male
L88.B	Rear_Roof	562286	male	L123	Parcel_Rack_RH	560898	male
L89.A	Rear_Roof	561608	female	L124	Parcel_Rack_RH	560898	male
L89.B	Rear_Roof	562286	male	L125	Parcel_Rack_RH	560898	male
L90.A	Rear_Roof	561608	female	L126	Parcel_Rack_RH	560898	male
L90.B	Rear_Roof	562286	male	L127	Parcel_Rack_RH	562758	male
L91	Engine_Cmpt_	562755	male	L128	Parcel_Rack_RH	562758	male
L92	Engine_Cmpt_	562755	male	L129	Parcel_Rack_RH	562758	male
L93.A		563069	female	L130	Parcel_Rack_RH	562758	male
L93.B		563069	female	L131	Parcel_Rack_RH	562758	male
L94.A		563069	female	L132	Parcel_Rack_RH	562758	male
L94.B		563069	female	L134	Parcel_Rack_LH	562758	male
L95A		562485	male	L135	Parcel_Rack_LH	562758	male
L95B		562485	male	L136	Parcel_Rack_LH	562758	male

# CONNECTORS LIST

No	Location	Part #	Gender	No	Location	Part #	Gender
L137	Parcel_Rack_LH	562758	male	L181	2nd_Lugg_Cmpt_	561247	male
L138	Parcel_Rack_LH	562758	male	L182	1st_Lugg_Cmpt_	561247	male
L139	Parcel_Rack_LH	562758	male	L183	1st_Lugg_Cmpt_	561247	male
L140	Lavatory	561247	male	L184	Service_Cmpt_	561247	male
L142	Lavatory	562803	male	L186.A		562651	female
L143	Front_Roof	561247	male	L186.B		562290	female
L144.A	Parcel_Rack_LH	562756	male	L187	Engine_Cmpt_	561690	male
L145.A	Parcel_Rack_LH	562756	male	L188	Service_Cmpt_	562486	female
L146.A	Parcel_Rack_LH	562756	male	L189	Outside_Front_RH	562069	male
L147.A	Parcel_Rack_LH	562756	male	L190	Outside_Front_LH	562069	male
L148.A	Parcel_Rack_LH	562756	male	L192	Parcel_Rack_LH	560898	male
L149.A	Parcel_Rack_LH	562756	male	L193.A	Dash	560488	female
L150.A	Parcel_Rack_LH	562756	male	L193.B	Dash	560488	female
L151.A	Parcel_Rack_LH	562756	male	L194.A	Left_Hand_Console	562019	female
L152.A	Parcel_Rack_LH	562756	male	L194.B	Left_Hand_Console	560488	female
L153.A	Parcel_Rack_LH	562756	male	L195.A	Dash	560488	female
L154.A	Parcel_Rack_LH	562756	male	L195.B	Dash	560488	female
L155.A	Parcel_Rack_LH	562756	male	L199	Engine_Cmpt_	562471	male
L156.A	Parcel_Rack_LH	562756	male	L200	Engine_Cmpt_	562471	male
L157.A	Parcel_Rack_LH	562756	male	L201	Front_Roof	561247	male
L158.A	Parcel_Rack_LH	562756	male	L202	Front_Roof	561247	male
L159.A	Parcel_Rack_RH	562756	male	L203		561690	male
L160.A	Parcel_Rack_RH	562756	male	L204		562803	male
L161.A	Parcel_Rack_RH	562756	male	L205	Evap_Cmpt_	562485	male
L162.A	Parcel_Rack_RH	562756	male	L206	Parcel_Rack_RH	562803	male
L163.A	Parcel_Rack_RH	562756	male	L207.A	5th_Lugg_Cmpt_	561699	female
L164.A	Parcel_Rack_RH	562756	male	L207.B	5th_Lugg_Cmpt_	561699	female
L165.A	Parcel_Rack_RH	562756	male	L207.C	5th_Lugg_Cmpt_	561701	female
L166.A	Parcel_Rack_RH	562756	male	L207.D	5th_Lugg_Cmpt_	561699	female
L167.A	Parcel_Rack_RH	562756	male	L207.E	5th_Lugg_Cmpt_	561701	female
L168.A	Parcel_Rack_RH	562756	male	L207.F	5th_Lugg_Cmpt_	561699	female
L169.A	Parcel_Rack_RH	562756	male	L207.G	5th_Lugg_Cmpt_	561699	female
L170.A	Parcel_Rack_RH	562756	male	L207.H	5th_Lugg_Cmpt_	560926	female
L171.A	Parcel_Rack_RH	562756	male	L207.I	5th_Lugg_Cmpt_	560926	female
L172	Parcel_Rack_RH	562756	male	L208	Outside_Front_LH	563088	male
L173	Engine_Cmpt_	563268	male	L209	Outside_Front_RH	563088	male
L174	Engine_Cmpt_	563268	male	L211	Entrance_Door	562486	female
L175	RJB	561247	male	L213.A	Parcel_Rack_RH	561248	female
L176	5th_Lugg_Cmpt_	561247	male	L213.B	Parcel_Rack_RH	561248	female
L177	5th_Lugg_Cmpt_	561247	male	L214.A	Parcel_Rack_RH	561248	female
L178	3rd_Lugg_Cmpt_	561247	male	L214.B	Parcel_Rack_RH	561248	female
L179	3rd_Lugg_Cmpt_	561247	male	L215.A	Parcel_Rack_RH	561248	female
L180	2nd_Lugg_Cmpt	561247	male	L215.B	Parcel_Rack_RH	561248	female

# CONNECTORS LIST

No	Location	Part #	Gender	No	Location	Part #	Gender
L216.A	Parcel_Rack_RH	561248	female	L241.B	Parcel_Rack_RH	561248	female
L216.B	Parcel_Rack_RH	561248	female	L242.A	Parcel_Rack_RH	561248	female
L217.A	Parcel_Rack_RH	561248	female	L242.B	Parcel_Rack_RH	561248	female
L217.B	Parcel_Rack_RH	561248	female	L244.A	Parcel_Rack_RH	562756	male
L218.A	Parcel_Rack_RH	561248	female	L245.A	Parcel_Rack_RH	562756	male
L218.B	Parcel_Rack_RH	561248	female	L246.A	Parcel_Rack_RH	562756	male
L219.A	Parcel_Rack_LH	561248	female	L247.A	Parcel_Rack_RH	562756	male
L219.B	Parcel_Rack_LH	561248	female	L248.A	Parcel_Rack_RH	562756	male
L220.A	Parcel_Rack_LH	561248	female	L249.A		562756	male
L220.B	Parcel_Rack_LH	561248	female	L250.A		562756	male
L221.A	Parcel_Rack_LH	561248	female	L251.A		562756	male
L221.B	Parcel_Rack_LH	561248	female	L252.A		562756	male
L222.A	Parcel_Rack_LH	561248	female	L253.A		562756	male
L222.B	Parcel_Rack_LH	561248	female	L254.A		562756	male
L223.A	Parcel_Rack_LH	561248	female	L255.A		562756	male
L223.B	Parcel_Rack_LH	561248	female	L256.A		562756	male
L224.A	Parcel_Rack_LH	561248	female	L257.A		562756	male
L224.B	Parcel_Rack_LH	561248	female	L258	Parcel_Rack_RH	560898	male
L225.A	Parcel_Rack_LH	561248	female	L259	Parcel_Rack_RH	560898	male
L225.B	Parcel_Rack_LH	561248	female	L260	Parcel_Rack_RH	560898	male
L226	Parcel_Rack_RH	562758	male	L261	Parcel_Rack_RH	560898	male
L227	Parcel_Rack_RH	562758	male	L262	Parcel_Rack_RH	560898	male
L228	Parcel_Rack_RH	562758	male	L263	Parcel_Rack_RH	560898	male
L229	Parcel_Rack_RH	562758	male	L264	Parcel_Rack_RH	560898	male
L230	Parcel_Rack_RH	562758	male	L266	Parcel_Rack_RH	560898	male
L231	Parcel_Rack_RH	562758	male	L267	Parcel_Rack_RH	560898	male
L232.A	Parcel_Rack_RH	562758	male	L268	Parcel_Rack_RH	560898	male
L232.B	Parcel_Rack_RH	562759	male	L269	Parcel_Rack_RH	560898	male
L233.A	Parcel_Rack_RH	562758	male	L270	Parcel_Rack_RH	560898	male
L233.B	Parcel_Rack_RH	562759	male	L271	Parcel_Rack_RH	560898	male
L234.A	Parcel_Rack_RH	562758	male	L272	Parcel_Rack_RH	560898	male
L234.B	Parcel_Rack_RH	562759	male	L273	Parcel_Rack_RH	560898	male
L235.A	Parcel_Rack_RH	562758	male	L274	Parcel_Rack_RH	560898	male
L235.B	Parcel_Rack_RH	562759	male	L275	Parcel_Rack_RH	560898	male
L236.A	Parcel_Rack_RH	562758	male	L276	Parcel_Rack_RH	560898	male
L236.B	Parcel_Rack_RH	562759	male	L277	Parcel_Rack_RH	560898	male
L238.A	Parcel_Rack_RH	561248	female	L278	Parcel_Rack_RH	560898	male
L238.B	Parcel_Rack_RH	561248	female	L279	Parcel_Rack_RH	560898	male
L239.A	Parcel_Rack_RH	561248	female	L280	Parcel_Rack_RH	560898	male
L239.B	Parcel_Rack_RH	561248	female	L281	Parcel_Rack_RH	560898	male
L240.A	Parcel_Rack_RH	561248	female	L282	Rear_Axle_Cmpt_	561690	male
L240.B	Parcel_Rack_RH	561248	female	L288.A		561539	male
L241.A	Parcel_Rack_RH	561248	female	L288.B		561539	male

# CONNECTORS LIST

No	Location	Part #	Gender	No	Location	Part #	Gender
L289.A		561539	male	P2_1		561782	male
L289.B		561539	male	P2_2		561782	male
L293.A		560081	female	P3		561782	male
L293.B		560081	female	P3_1		561782	male
L294.A		560081	female	P3_2		561782	male
L294.B		560081	female	P4		561782	male
L295		562251	male	P4_1		561782	male
L312.A		562756	male	P4_2		561782	male
L312.B		562505	female	P5		561782	male
L313		562789	male	P5_1		561782	male
L314		562789	male	P5_2		561782	male
Mo1	Engine_Cmpt_	561690	female	P6		561782	male
Mo2	Engine_Cmpt_	561782	male	P6_1		561782	male
Mo3	Dash	561667	female	P6_2		561782	male
Mo4	Dash	562076	male	P7		561782	male
Mo5	Front_Roof	561550	female	P7_1		561782	male
Mo6	Service_Cmpt_	561690	male	P7_2		561782	male
Mo7		563691	male	P8		561782	male
Mo8		563691	male	P8_1		561782	male
Mo10		561515	male	P8_2		561782	male
Mo11		561515	male	P9		561782	male
Mo12	Evap_Cmpt_	561690	male	P9_1		561782	male
Mo13	Engine_Cmpt_	561690	female	P9_2		561782	male
Mo14	Parcel_Rack_RH	561566	female	P10		561782	male
Mo15	Front_Roof	560900	female	P10_1		561782	male
Mo16	Front_Roof	560900	female	P10_2		561782	male
Mo17		563626	male	P11		561782	male
Mo18		562474	male	P11_1		561782	male
Mo19		562474	male	P11_2		561782	male
Mo20		562474	male	P12		561782	male
Mo21	Front_Roof	561186	male	P12_1		561782	male
Mo22	Right_Hand_Console	561186	male	P12_2		561782	male
Mo24	Right_Hand_Console	562348	female	P13		561782	male
Mo25	Right_Hand_Console	562348	female	P13_1		561782	male
Mo27		563691	male	P14		561782	male
Mo28		563691	male	P14_1		561782	male
Mo54		562474	male	P15		561782	male
Mo61		561248	female	P15_1		561782	male
Mo62		562486	female	P16		561782	male
Mo63		562486	female	P16_1		561782	male
P1		561782	male	P17		561782	male
P1_1		561782	male	P17_1		561782	male
P2		561782	male	P18		561782	male

# CONNECTORS LIST

No	Location	Part #	Gender	No	Location	Part #	Gender
P18_1		561782	male	R17	RJB	562367	male
P19		561782	male	R18	FJB	562367	male
P19_1		561782	male	R19	FJB	562367	male
P20		561782	male	R20	Evap_Cmpt_	561183	male
P20_1		561782	male	R22		561183	male
P21		561782	male	R23	Right_Hand_Console	561183	male
P22		561782	male	R24	FJB	561183	male
P36.A	Engine_Cmpt_	561701	female	R25	RJB	561183	male
P36.B	Engine_Cmpt_	561701	female	R26	Cond_Cmpt_	561183	male
P36.C	Engine_Cmpt_	561701	female	R27		561183	male
PI		561782	male	R29		563409	male
Pot1.A	Dash	560488	female	R31.A		562367	male
Pot1.B	Dash	560488	female	R32		561183	male
Pot1.C	Dash	560488	female	R35		561183	male
Pr1		561782	male	R36		561183	male
PR2		561782	male	R37		561183	male
Pr3		561782	male	R39.A		562367	male
Pr4		561782	male	R41		561183	male
Pr5		561782	male	R42		561183	male
Pr6		561782	male	R43		561183	male
Pr7		561782	male	R44		561183	male
Pr8		561782	male	R45		561183	male
Pr9		561782	male	R46		563409	male
Pr10		561782	male	R73		563409	male
Pr11		561782	male	R74		561183	male
Pr12		561782	male	R_AMPLI	Porte-Colis	562367	male
Pr13		561782	male	R_Flip		561183	male
Pr14		561782	male	R_SAT		561183	male
R-12VISS	Porte-Colis	561183	male	R_Tv		561183	male
R.H.CONSOLE		560999	male	Res3		563590	female
R.H.MODESTYPANEL		560999	male	Res4		563590	female
R2	RJB	561183	male	Res5	Dash	563590	female
R3	RJB	563409	male	Res6		563590	female
R4		561183	male	Res7	FJB	563590	female
R5	RJB	561183	male	Res12	Engine_Cmpt_	563590	female
R6	RJB	561183	male	Res15	RJB	561782	male
R10	Evap_Cmpt_	563409	male	Res31		563795	female
R11	RJB	561183	male	Res31A		563795	female
R12	Evap_Cmpt_	563409	male	Res32		563795	female
R13	RJB	561183	male	Res32A		563796	female
R14	RJB	562367	male	Res40.A		563590	female
R15	RJB	561183	male	Res41.A		563590	female
R16	Dash	561183	male	Res42.A		563590	female



# CONNECTORS LIST

No	Location	Part #	Gender	No	Location	Part #	Gender
RZF1		561183	male	Se44.B		560082	female
Se4	Window_RH	561477	female	Se45		563409	male
Se5	Window_RH	561477	female	Se46		562348	female
Se6	Window_RH	561477	female	Se53		563159	female
Se7	Window_LH	561477	female	Se54		563159	female
Se8	Window_LH	561477	female	Se60		563409	male
Se9	Window_LH	561477	female	Se63		641132	female
Se10	Window_LH	561477	female	Se64		641132	female
Se11.A	Cond_Cmpt_	560082	male	Se65		564042	female
Se11.B	Cond_Cmpt_	560082	male	Se66		564039	female
Se11.C	Cond_Cmpt_	560082	male	Se67		563159	female
Se12	Engine_Cmpt_	561690	female	Se68		563159	female
Se13	Engine_Cmpt_	562350	male	Se69		563159	female
Se13A		561782	male	Se70		563340	male
Se14.A	Driver_Area	561782	male	Se71.J1		561017	female
Se14.B	Driver_Area	561781	female	Se72.J1		560900	female
Se15	Right_Hand_Console	560898	male	Se73.J1		560900	female
Se16	Entrance_Door	562348	female	Se74.J1		560900	female
Se17	Entrance_Door	560081	female	Se75.J1		560852	male
Se19		563677	male	Se76.J1		560852	male
Se19A		563677	male	Se80.J1		560852	male
Se20	Evap_Cmpt_	562426	male	Se81.J1		561017	female
Se21	Dash	561248	female	Se82.J1		560900	female
Se23	Engine_Cmpt_	563159	male	Se83.J1		560900	female
Se24	Engine_Cmpt_	563159	male	Se84.J1		560900	female
Se25	Passenger_Area	561248	female	Se85.J1		560852	male
Se26	Service_Cmpt_	561690	female	Se86		563159	female
Se27	Front_Axle_Cmpt_	561111	female	So1	Engine_Cmpt_	561566	female
Se28		561690	male	So3		641385	male
Se29		561566	female	So4		641385	male
Se30	Engine_Cmpt_	561690	female	So5		641385	male
Se31	Engine_Cmpt_	561690	female	So6		641385	male
Se32	Engine_Cmpt_	563057	male	So7	Service_Cmpt_	561566	male
Se33	Engine_Cmpt_	562856	male	So8	Service_Cmpt_	563204	female
Se34	Engine_Cmpt_	563057	male	So9	Engine_Cmpt_	561566	female
Se35	Engine_Cmpt_	563057	male	So10	Cond_Cmpt_	562485	male
Se36		563629	female	So11	Cond_Cmpt_	561566	female
Se37		641132	female	So13	Evap_Cmpt_	563204	female
Se38		641132	female	So14		564045	female
Se39		641132	female	So15		564045	female
Se40		641132	female	So16		564045	female
Se43		563340	male	So17		564045	female
Se44.A		560082	female	So18		641385	male

# CONNECTORS LIST

No	Location	Part #	Gender	No	Location	Part #	Gender
So19		641385	male	Spk15_R		563994	male
So20		564045	female	Spk16_L		563994	male
So21		564046	female	Spk16_R		563994	male
So22		564046	female	SpkDr_L		563994	male
So23		564046	female	SpkDr_R		563994	male
So24		564046	female	Sub1.A		564004	female
So25		641949	male	Sub2		564004	female
So26		641385	male	Sw1.C258		561188	female
So27		564045	female	Sw1.C259		561186	male
So50		564046	female	Sw2	Dash	562763	male
So51		564046	female	Sw3		562763	male
So52		564045	female	Sw4		562763	male
So53		564045	female	Sw5	Dash	562763	male
Sp17_R		563994	male	Sw6		562763	male
Spk1_L		563994	male	Sw7.A	Cond_Cmpt_	562403	female
Spk1_R		563994	male	Sw7.B	Cond_Cmpt_	562403	female
Spk2_L		563994	male	Sw10A		562763	male
Spk2_R		563994	male	Sw11A	Left_Hand_Console	562763	male
Spk3_L		563994	male	Sw12		562763	male
Spk3_R		563994	male	Sw13	Dash	562763	male
Spk4_L		563994	male	Sw14		562763	male
Spk4_R		563994	male	Sw16		562763	male
Spk5_L		563994	male	Sw17	Dash	562763	male
Spk5_R		563994	male	Sw18A		562763	male
Spk6_L		563994	male	Sw20		562763	male
Spk6_R		563994	male	Sw21		562763	male
Spk7_L		563994	male	Sw23	Dash	562763	male
Spk7_R		563994	male	Sw24		562763	male
Spk8_L		563994	male	Sw25	Dash	562763	male
Spk8_R		563994	male	Sw26		562763	male
Spk9_L		563994	male	Sw27		562763	male
Spk9_R		563994	male	Sw29		562763	male
Spk10_L		563994	male	Sw30		561566	female
Spk10_R		563994	male	Sw31	WCL_Door	563543	male
Spk11_L		563994	male	Sw32	Dash	561477	female
Spk11_R		563994	male	Sw33	Dash	561476	male
Spk12_L		563994	male	Sw34	Outside_Front_RH	562477	male
Spk12_R		563994	male	Sw35		562763	male
Spk13_L		563994	male	Sw38	Left_Hand_Console	562763	male
Spk13_R		563994	male	Sw39.A		562403	female
Spk14_L		563994	male	Sw39.B		562403	female
Spk14_R		563994	male	Sw40	Left_Hand_Console	561690	male
Spk15 L		563994	male	Sw41	Left Hand Console	562749	male

# CONNECTORS LIST

No	Location	Part #	Gender	No	Location	Part #	Gender
Sw42	5th_Lugg_Cmpt_	561635	female	Sw76	Parcel_Rack_RH	562651	female
Sw43	Service_Cmpt_	561690	male	Sw77	Parcel_Rack_RH	562651	female
Sw44.A		562403	female	Sw78	Parcel_Rack_RH	562651	female
Sw44.B		562403	female	Sw79	Parcel_Rack_RH	562651	female
Sw45.A	5th_Lugg_Cmpt_	562403	female	Sw80	Parcel_Rack_RH	562651	female
Sw45.B	5th_Lugg_Cmpt_	562403	female	Sw81.A	Dash	562905	male
Sw46.A	5th_Lugg_Cmpt_	562403	female	Sw81.B	Dash	562905	male
Sw46.B	5th_Lugg_Cmpt_	562403	female	Sw82.A	RJB	561457	female
Sw47.A	3rd_Lugg_Cmpt_	562403	female	Sw82.B	RJB	561457	female
Sw47.B	3rd_Lugg_Cmpt_	562403	female	Sw82.C	RJB	561457	female
Sw48.A	3rd_Lugg_Cmpt_	562403	female	Sw82.D	RJB	561457	female
Sw48.B	3rd_Lugg_Cmpt_	562403	female	Sw83.A	Dash	560082	female
Sw49.A	2nd_Lugg_Cmpt_	562403	female	Sw83.B	Dash	560815	female
Sw49.B	2nd_Lugg_Cmpt_	562403	female	Sw83.C	Dash	560082	female
Sw50.A	2nd_Lugg_Cmpt_	562403	female	Sw83.D	Dash	560815	female
Sw50.B	2nd_Lugg_Cmpt_	562403	female	Sw84.A	Service_Cmpt_	562477	male
Sw51.A	1st_Lugg_Cmpt_	562403	female	Sw84.B	Service_Cmpt_	560488	female
Sw51.B	1st_Lugg_Cmpt_	562403	female	Sw85	Left_Hand_Console	562749	male
Sw52	1st_Lugg_Cmpt_	562403	female	Sw86	Parcel_Rack_RH	562651	female
Sw52.B	1st_Lugg_Cmpt_	562403	female	Sw87	Parcel_Rack_RH	562651	female
Sw53	Parcel_Rack_LH	562651	female	Sw88	Parcel_Rack_RH	562651	female
Sw55.A	Lavatory	560488	female	Sw89	Parcel_Rack_RH	562651	female
Sw55.B	Lavatory	560488	female	Sw90	Parcel_Rack_RH	562651	female
Sw56.A	Lavatory	560488	female	Sw91	Parcel_Rack_RH	562651	female
Sw56.B	Lavatory	560488	female	Sw92	Parcel_Rack_RH	562651	female
Sw57	WCL_Door	563543	male	Sw93	Parcel_Rack_RH	562651	female
Sw58	Engine_Cmpt_	562581	male	Sw94.A		562403	female
Sw59	Engine_Cmpt_	562485	male	Sw94.B		562403	female
Sw60	Engine_Cmpt_	561566	female	Sw95.A	WCL_Door	561626	female
Sw63A		562763	male	Sw95.B	WCL_Door	561626	female
Sw64.A		560815	female	Sw96.A	WCL_Door	561626	female
Sw64.B		560815	female	Sw96.B	WCL_Door	561626	female
Sw65	Parcel_Rack_LH	562651	female	Sw97.A		562119	female
Sw66	Parcel_Rack_LH	562651	female	Sw97.B		562119	female
Sw67	Parcel_Rack_LH	562651	female	Sw100A		562763	male
Sw68	Parcel_Rack_LH	562651	female	Sw103		562957	male
Sw69	Parcel_Rack_LH	562651	female	Sw125.A		561457	female
Sw70	Parcel_Rack_LH	562651	female	Sw125.B		561457	female
Sw71	Parcel_Rack_LH	562651	female	Sw152	Left_Hand_Console	562471	male
Sw72	Parcel_Rack_LH	562651	female	Sw299		562763	male
Sw73	Parcel_Rack_RH	562651	female	Sw300		562763	male
Sw74	Parcel_Rack_RH	562651	female	Sw301		562763	male
Sw75	Parcel_Rack_RH	562651	female	Sw302		562763	male



# CONNECTORS LIST

No	Location	Part #	Gender	No	Location	Part #	Gender
A1		563975	male	A24.B	Right_Hand_Console	561566	female
A2		563984	male	A25		563025	male
A2A		563984	male	A27	Service_Cmpt_	562929	male
A3	Dash	562363	male	A28	Service_Cmpt_	562928	male
A4.A		562428	female	A29		562464	male
A4.B		561188	female	A33.A		564004	female
A4A.A		562428	female	A33.B		562330	female
A4A.B		561188	female	A34		563463	male
A5	Service_Cmpt_	562428	female	A35		563463	male
A5A		562428	female	A36.JA	FJB	562767	male
A6		562427	male	A36.JB	FJB	562765	male
A7		563979	male	A36.JC	FJB	562957	male
A9.Cx1		564041	female	A37		563463	male
A9.Cx2		563678	male	A38		563463	male
A9.Cx3		564037	female	A39.P101		563201	male
A9.Cx4		564038	female	A39.P901		563953	male
A10.X1	Engine_Cmpt_	563135	male	A40.A		563040	female
A10.X3	Engine_Cmpt_	563134	female	A40.B		562706	female
A11	Left_Hand_Console	563142	male	A40.C		563070	male
A12	Dash	562464	male	A40.D		562706	female
A13.J1	FJB	562794	male	A41.J1	FJB	562767	male
A13.J2	FJB	562650	male	A41.J2	FJB	563132	male
A14.CX	Dash	562957	male	A41.J3	FJB	562957	male
A14.CY	Dash	562765	male	A42.J1	FJB	562767	male
A14.LX	Dash	562766	male	A42.J2	FJB	563132	male
A14.LY	Dash	562767	male	A42.J3	FJB	562957	male
A14.RX	Dash	562767	male	A43.J1	FJB	562767	male
A14A.A		562766	male	A43.J2	FJB	563132	male
A14A.B		562767	male	A43.J3	FJB	562957	male
A14A.C		562765	male	A44.J1	FJB	563133	male
A15	Dash	562464	male	A44.J2	FJB	563132	male
A16	Front_Roof	561637	male	A44.J3	FJB	562957	male
A18.J1	FJB	562794	male	A45.J1	FJB	563133	male
A18.J2	FJB	562650	male	A45.J2	FJB	563132	male
A19	Left_Hand_Console	562878	female	A45.J3	FJB	562957	male
A20	Parcel_Rack_LH	561477	female	A46.J1	FJB	563133	male
A21	Rear_Axle_Cmpt_	kostalF	female	A46.J2	FJB	563132	male
A22	Left_Hand_Console	563338	male	A46.J3	FJB	562957	male
A22A		563338	male	A47.J1	Right_Hand_Console	563133	male
A23.A		563678	male	A47.J2	Right_Hand_Console	563132	male
A23.B		563953	male	A47.J3	Right_Hand_Console	562957	male
A24	Right_Hand_Console	561889	female	A48.J1	Right_Hand_Console	563133	male
A24.A	Right_Hand_Console	561890	male	A48.J2	Right_Hand_Console	563132	male

# CONNECTORS LIST

No	Location	Part #	Gender	No	Location	Part #	Gender
A48.J3	Right_Hand_Console	562957	male	A68.A		563960	male
A49.J1	RJB	562767	male	A68.B		563962	male
A49.J2	RJB	563132	male	A68.C		564009	male
A49.J3	RJB	562957	male	A68.D		563961	male
A50.J1	RJB	563133	male	A69.A		563071	male
A50.J2	RJB	563132	male	A69.B		561716	female
A50.J3	RJB	562957	male	A69.C		561716	female
A51.J1	RJB	563133	male	A69.D		561716	female
A51.J2	RJB	563132	male	A69.E		561716	female
A51.J3	RJB	562957	male	A69.F		561716	female
A52.J1	RJB	563133	male	A69.G		561716	female
A52.J2	RJB	563132	male	A69.H		561716	female
A52.J3	RJB	562957	male	A70		564011	female
A53.J1	RJB	563133	male	A70a		564011	male
A53.J2	RJB	563132	male	A71.A		562464	male
A53.J3	RJB	562957	male	A71.B		562706	female
A54.J1	Evap_Cmpt_	563133	male	A71.C		562706	female
A54.J2	Evap_Cmpt_	563132	male	A71.D		562706	female
A54.J3	Evap_Cmpt_	562957	male	A71.E		562706	female
A55.J1		562767	male	A71.F		562706	female
A55.J2		563132	male	A72.J1		563675	male
A55.J3		562957	male	A72.J2		563678	male
A60.A		562464	male	A72.J3		563679	male
A60.B		562706	female	A72.J4		563680	male
A60.C		562706	female	A73.J1		563681	male
A60.D		562706	female	A73.J2		563684	male
A60.E		562706	female	A74		563207	male
A60.F		562706	female	A75.A		563960	male
A61.A		562464	male	A75.B		563962	male
A61.B		562465	male	A79		564033	female
A63.A		563960	male	A81.JA		562767	male
A63.B		563962	male	A81.JB		562765	male
A63.C		564009	male	A81.JC		562957	male
A63.D		563961	male	A81A.JA		562767	male
A64		563954	male	A81A.JB		562765	male
A65		562465	male	A81A.JC		562957	male
A65OP		562465	male	A83		562767	male
A66		561183	male	A84.A		564004	female
A67.Vsa		563948	male	A92.A		561626	female
A67.Vsb		563950	male	A92.B		562549	male
A67.Vsc		563947	male	A92.C		562556	female
A67.Vsd		563949	male	A92.D		562706	female
A67.Vse		563951	male	A92.E		562706	female

# CONNECTORS LIST

No	Location	Part #	Gender	No	Location	Part #	Gender
A92.F		562706	female	A113.D		563961	male
A92.G		562706	female	A113.D		563961	male
A93.A		562559	female	A120.A		563960	male
A93.B		562559	female	A120.B		563962	male
A93.C		562559	female	A120.C1		563956	male
A94.A		560852	male	A120.C2		563957	male
A94.B		562706	female	A120.C3		563958	male
A94.C		562706	female	A120.D		563961	male
A96		564073	female	A121.Vsa		563679	male
A97		563226	male	A121.Vsb		563678	male
A100		563758	female	A121.Vsc		564037	female
A101		563758	female	A121.Vsd		564118	male
A102		563758	female	A130		563226	male
A103		562070	female	A131.A		561782	male
A104		562649	female	A131.B		561781	female
A104.J2		563489	male	A137		563782	male
A104.J3		563803	male	A137A.J1		563470	male
A105		562649	female	A137A.J2		563471	male
A106		562649	female	A138		563787	male
A107		20393942	female	A138A		563787	male
A108		562766	male	Alt1.A		563746	female
A109		563774	male	Alt1.B		560815	female
A109A		563679	male	Alt1.C		563746	female
A110		564004	female	Alt1D.A		563746	female
A111.A		562464	male	Alt1D.B		560815	female
A111.B		562706	female	Alt1D.C		564469	female
A111.C		562706	female	Alt2.A		563746	female
A111.D		562706	female	Alt2.B		560815	female
A111.E		562706	female	Alt2.C		563746	female
A111.F		562706	female	Alt2D.A		563746	female
A112.A		563071	male	Alt2D.B		560815	female
A112.C		562706	female	Alt2D.C		564469	female
A112.D		562706	female	B142B		563793	male
A113.A		563960	male	B142C		563793	male
A113.A		563960	male	BOOM		560999	male
A113.B		563962	male	C1	Service_Cmpt_	563589	male
A113.B		563962	male	C1	Service_Cmpt_	563590	female
A113.C1		563956	male	C1S	Service_Cmpt_	563589	male
A113.C1		563956	male	C1S	Service_Cmpt_	563590	female
A113.C2		563957	male	C2		563580	male
A113.C2		563957	male	C2		563581	female
A113.C3		563958	male	C2A		563580	male
A113.C3		563958	male	C2A		563581	female

# CONNECTORS LIST

No	Location	Part #	Gender	No	Location	Part #	Gender
C3	RJB	563589	male	C21B	RJB	561645	female
C3	RJB	563590	female	C22	RJB	561847	male
C3S		563589	male	C22	RJB	561862	female
C3S		563590	female	C23	5thLugg.Cmpt	561847	male
C4	Service_Cmpt_	563580	male	C23	5thLugg.Cmpt	561862	female
C4	Service_Cmpt_	563581	female	C24_plug	Evap_Cmpt_	561690	male
C5	Service_Cmpt_	563589	male	C24_socket	Evap_Cmpt_	561566	female
C5	Service_Cmpt_	563590	female	C25		561550	male
C5S	Service_Cmpt_	563589	male	C25		561667	female
C5S	Service_Cmpt_	563590	female	C26		562005	male
C6	Service_Cmpt_	563582	male	C26		561714	female
C6	Service_Cmpt_	563583	female	C27		562005	male
C7		563589	female	C27		561714	female
C7		563590	female	C29	5th_Lugg_Cmpt_	563651	male
C8		563589	female	C29	5th_Lugg_Cmpt_	563652	female
C8		563590	female	C30	5th_Lugg_Cmpt_	561710	male
C9	Evap_Cmpt_	561986	male	C30	5th_Lugg_Cmpt_	561709	female
C9	Evap_Cmpt_	561987	female	C31		561734	male
C10		562477	male	C31		561735	female
C10		562479	female	C32	5th_Lugg_Cmpt_	561550	male
C11	Service_Cmpt_	563580	male	C32	5th_Lugg_Cmpt_	561667	female
C11	Service_Cmpt_	563581	female	C33	RHFrontRoof	561550	male
C13S	Right_Hand_Console	563589	male	C33	RHFrontRoof	561667	female
C13S	Right_Hand_Console	563590	female	C34	Right_Hand_Console	561986	male
C13_plug		563589	male	C34	Right_Hand_Console	561987	female
C13_socket		563590	female	C35	RJB	562283	male
C14	Evap_Cmpt_	561986	male	C35	RJB	562280	female
C14	Evap_Cmpt_	561987	female	C37	Parcel_Rack_LH	562557	male
C15		561643	male	C37	Parcel_Rack_LH	562558	female
C15		561642	female	C38	Parcel_Rack_RH	562555	male
C16	RJB	561577	male	C38	Parcel_Rack_RH	562556	female
C16	RJB	561605	female	C39		562503	male
C17	RJB	561986	male	C39		562507	female
C17	RJB	561987	female	C40	Dash	562485	male
C18	FJB	561986	male	C40	Dash	562486	female
C18	FJB	561987	female	C41	RJB	561690	male
C19	RJB	561986	male	C41	RJB	561566	female
C19	RJB	561987	female	C43	Lavatory	561661	female
C20		561668	male	C43	Lavatory	561662	male
C20		561551	female	C44_plug	FJB	561577	male
C21A	RJB	561646	male	C44_socket	FJB	561605	female
C21A	RJB	561645	female	C45	FJB	561643	male
C21B	RJB	561646	male	C45	FJB	561642	female



# CONNECTORS LIST

No	Location	Part #	Gender	No	Location	Part #	Gender
C46	FJB	561577	male	C92		561735	female
C46	FJB	561605	female	C94		561577	male
C47		561247	male	C94		561605	female
C47		561248	female	C96		561643	male
C48	Service_Cmpt_	561690	male	C96		561642	female
C48	Service_Cmpt_	561566	female	C97		561583	male
C49		562005	male	C97		561585	female
C49		561714	female	C99		561782	male
C49A		562005	male	C99		561781	female
C49A		561714	female	C100	5th_Lugg_Cmpt_	563589	male
C51		562477	male	C100	5th_Lugg_Cmpt_	563590	female
C51		562479	female	C100S	5th_Lugg_Cmpt_	563589	male
C52		563735	male	C100S	5th_Lugg_Cmpt_	563590	female
C53		561539	male	C101	Service_Cmpt_	561690	male
C53		561540	female	C101	Service_Cmpt_	561566	female
C54		563804	male	C102		561690	male
C54A		563580	male	C102		561566	female
C54A		563581	female	C103_plug		562485	male
C55	Evap_Cmpt_	561577	male	C103_socket		562486	female
C55	Evap_Cmpt_	561605	female	C105_plug		562581	male
C66		561577	male	C105_socket		562583	female
C66		561605	female	C106_plug		562581	male
C67		561247	male	C106_socket		562583	female
C67		561248	female	C119	EngineDoor	561607	male
C69		561583	male	C119	EngineDoor	561606	female
C69		561585	female	C120	EngineDoor	561607	male
C70		562557	male	C120	EngineDoor	561606	female
C70		562558	female	C121	EngineDoor	561690	male
C71	Service_Cmpt_	561646	male	C121	EngineDoor	561566	female
C71	Service_Cmpt_	561645	female	C122		561690	male
C72		561646	male	C122		561566	female
C72		561645	female	C123		561690	male
C74		561645	female	C123		561566	female
C74		561646	male	C124		561577	male
C78		561690	male	C124		561605	female
C78		561566	female	C125	Service_Cmpt_	562503	male
C82		562581	male	C125	Service_Cmpt_	562507	female
C82		562583	female	C126		562581	male
C87	Lavatory	561637	male	C126		562583	female
C87	Lavatory	561636	female	C127		563412	male
C91		562285	male	C127		563413	female
C91		562282	female	C128		563412	male
C92		561734	male	C128		563413	female

# CONNECTORS LIST

No	Location	Part #	Gender	No	Location	Part #	Gender
C129		563412	male	C209		562507	female
C129		563413	female	C212	WCL_Door	561515	male
C130		563412	male	C212	WCL_Door	561552	female
C130		563413	female	C222		562477	male
C131		563412	male	C222		562479	female
C131		563413	female	C223		563227	male
C132		563412	male	C223		563614	female
C132		563413	female	C224		561637	male
C133		563412	male	C224		561636	female
C133		563413	female	C225		562649	female
C134		563412	male	C225_0_1		562650	male
C134		563413	female	C230	Engine_Cmpt_	562485	male
C141		561247	male	C230	Engine_Cmpt_	562486	female
C141		561248	female	C239	Service_Cmpt_	561690	male
C144	UnderLHSeat	560852	male	C239	Service_Cmpt_	561566	female
C144	UnderLHSeat	560851	female	C240	Service_Cmpt_	561607	male
C152	CondensorCmpt.	561611	male	C240	Service_Cmpt_	561606	female
C152	CondensorCmpt.	561610	female	C242	Service_Cmpt_	562789	male
C155		561626	female	C242	Service_Cmpt_	565131	female
C155		561904	female	C243	Service_Cmpt_	562789	male
C171	Service_Cmpt_	561646	male	C243	Service_Cmpt_	565131	female
C171	Service_Cmpt_	561645	female	C246	Service_Cmpt_	563090	male
C183	Service_Cmpt_	561611	male	C246	Service_Cmpt_	563091	female
C183	Service_Cmpt_	561610	female	C260	Service_Cmpt_	561607	male
C184_plug		561566	female	C260	Service_Cmpt_	561606	female
C184_socket		561690	male	C269	RHConsole	563090	male
C185_plug		561782	male	C269	RHConsole	563091	female
C185_socket		561781	female	C279	Service_Cmpt_	562477	male
C186_plug		561782	male	C279	Service_Cmpt_	562479	female
C186_socket		561781	female	C279A		561690	male
C187_plug		561782	male	C279A		561566	female
C187_socket		561781	female	C284		561782	male
C193		563589	male	C284		561781	female
C193		563590	female	C284-1		561782	male
C194		563589	male	C284-1		561781	female
C194		563590	female	C284-2		561782	male
C200		562471	male	C284-2		561781	female
C200		562348	female	C284-3		561782	male
C206		562503	male	C284-3		561781	female
C206		562507	female	C284-4		561782	male
C207		562503	male	C284-4		561781	female
C207		562507	female	C284-5		561782	male
C209		562503	male	C284-5		561781	female

# CONNECTORS LIST

No	Location	Part #	Gender	No	Location	Part #	Gender
C298		561782	male	C564		562507	female
C298		561781	female	C564-Sp		562503	male
C298A		561782	male	C564-Sp		562507	female
C298A		561781	female	C566		562503	male
C298B		561782	male	C566		562507	female
C298B		561781	female	C567		562503	male
C302		563071	male	C567		562507	female
C302		563040	female	C575	RrSectionRHHatRack	562503	male
C380	Dash	563180	male	C575	RrSectionRHHatRack	562507	female
C380	Dash	563347	female	C576	RrSectionRHHatRack	561550	male
C381		561847	male	C576	RrSectionRHHatRack	561667	female
C381		561862	female	C577	RrSectionLHHatRack	561550	male
C382		561580	male	C577	RrSectionLHHatRack	561667	female
C382		561582	female	C578	RrSectionLHHatRack	562503	male
C397	RJB	562285	male	C578	RrSectionLHHatRack	562507	female
C397	RJB	562282	female	C582	FJB	561690	female
C403		561247	male	C582	FJB	561566	female
C403		561248	female	C589	Service_Cmpt_	563088	male
C404		561247	male	C589	Service_Cmpt_	563089	female
C404		561248	female	C590	RHConsole	563088	male
C405		561247	male	C590	RHConsole	563089	female
C405		561248	female	C601	LHRoofWinAjar	561476	male
C426	EngineCmpt	561782	male	C601	LHRoofWinAjar	561477	female
C426	EngineCmpt	561781	female	C602		561476	male
C426A		561782	male	C602		561477	female
C426A		561781	female	C603	RHRoofWinAjar	561476	male
C430	LHConsole	562363	male	C603	RHRoofWinAjar	561477	female
C430	LHConsole	561188	female	C611	Parcel_Rack_RH	562557	male
C452	Dash	561580	male	C611	Parcel_Rack_RH	562558	female
C452	Dash	561582	female	C612_plug	Parcel_Rack_RH	562555	male
C463	Engine_Cmpt_	562570	female	C612_socket	Parcel_Rack_RH	562556	female
C463	Engine_Cmpt_	562571	male	C613_plug	Parcel_Rack_RH	561550	male
C464	RJB	563180	male	C613_socket	Parcel_Rack_RH	561667	female
C464	RJB	563347	female	C614		563071	male
C465		562581	male	C614		563040	female
C465		562583	female	C615		563071	male
C506	FJB	561687	male	C615		563040	female
C506	FJB	561685	female	C616		561247	male
C542		561550	male	C616		561248	female
C542		561667	female	C617		563801	male
C558		562503	male	C617		563800	female
C558		562507	female	C618		563801	male
C564		562503	male	C618		563800	female

# CONNECTORS LIST

No	Location	Part #	Gender	No	Location	Part #	Gender
C717		561646	male	C771		901283	female
C717		561645	female	C777		562477	male
C717A		561583	male	C777		562479	female
C717A		561585	female	C800		561550	male
C720	Rear_Axle_Cmpt_	563358	male	C800		561667	female
C720	Rear_Axle_Cmpt_	563359	female	CMS1_plug		563601	male
C721	RJB	561515	male	CMS1_socket		563600	female
C721	RJB	561552	female	CMS2_plug		563601	male
C721A		561515	male	CMS2_socket		563600	female
C721A		561552	female	CMS3_plug		563601	male
C723	Rear_Axle_Cmpt_	562877	female	CMS3_socket		563600	female
C723	Rear_Axle_Cmpt_	562884	female	CMS4_plug		563601	male
C750		901283	female	CMS4_socket		563600	female
C751		901110	male	CNAV_plug		562503	male
C752		901283	female	CNAV_socket		562507	female
C753		901283	female	CP1		561782	male
C754		562707	male	CP1		561781	female
C754		562706	female	C_STR1_socket		563411	female
C755		562707	male	C_STR2_plug		562601	male
C755		562706	female	C_STR2_socket		563411	female
C758		562707	male	Cp1		561782	male
C758		562706	female	Cp1		561781	female
C759		562707	male	Cp2		561782	male
C759		562706	female	Cp2		561781	female
C760		562707	male	CP3		561782	male
C760		562706	female	CP3		561781	female
C761		562707	male	CPI2		561782	male
C761		562706	female	CPI2		561781	female
C762		562707	male	CPr1		561782	male
C762		562706	female	CPr1		561781	female
C763		562707	male	CSS2		562477	male
C763		562706	female	CSS2		562479	female
C764		562707	male	CSX1	Engine_Cmpt_	563135	male
C764		562706	female	CSX1	Engine_Cmpt_	563134	female
C765		562707	male	CSX3	Engine_Cmpt_	563135	male
C765		562706	female	CSX3	Engine_Cmpt_	563134	female
C766		561662	male	CT2		563226	male
C766		561661	female	CT2		563613	female
C767		563409	male	CT3		563224	male
C767		563410	female	CTF_plug		563224	male
C768		901283	female	CVSA_plug		562503	male
C769		901283	female	CVSA_socket		562507	female
C770		901283	female	C_PA_8CH		562507	female

# CONNECTORS LIST

No	Location	Part #	Gender	No	Location	Part #	Gender
C_PA_8CH_0_1		562503	male	L15.B	Parcel_Rack_LH	562759	male
C_ST1_plug		562601	male	L16	Front_Roof	562803	male
C_ST1_socket		563411	female	L17	Front_Roof	562803	male
C_ST2_plug		562601	male	L18		562486	female
C_ST2_socket		563411	female	L19	Entrance_Door	562486	female
C_STR1_plug		562601	male	L20	Entrance_Door	562486	female
EI		563739	male	L21.A	Front_Roof	561608	female
FUSE_BOX_1.A		562610	male	L21.B	Front_Roof	562286	male
FUSE_BOX_1.B		562610	male	L22.A	Front_Roof	561608	female
FUSE_BOX_2.A	Porte-Colis	562610	male	L22.B	Front_Roof	562286	male
FUSE_BOX_2.B		562610	male	L23.A	Front_Roof	561608	female
J14		563808	male	L23.B	Front_Roof	562286	male
J25		563277	female	L24.A	Front_Roof	561608	female
J26		563277	female	L24.B	Front_Roof	562286	male
L.H.CONSOLE		560999	male	L25.A	Front_Roof	561608	female
L.H.MODESTYPANEL		560999	male	L25.B	Front_Roof	562286	male
L1		561566	female	L26.A	Front_Roof	561608	female
L2	Front_Roof	561247	male	L26.B	Front_Roof	562286	male
L3.A	Parcel_Rack_RH	562758	male	L27.A	Front_Roof	561608	female
L3.B	Parcel_Rack_RH	562759	male	L27.B	Front_Roof	562286	male
L4.A	Parcel_Rack_RH	562758	male	L28	Parcel_Rack_LH	560898	male
L4.B	Parcel_Rack_RH	562759	male	L29	Parcel_Rack_LH	560898	male
L5.A	Parcel_Rack_RH	562758	male	L30	Parcel_Rack_LH	560898	male
L5.B	Parcel_Rack_RH	562759	male	L31	Parcel_Rack_LH	560898	male
L6.A	Parcel_Rack_RH	562758	male	L32	Parcel_Rack_LH	560898	male
L6.B	Parcel_Rack_RH	562759	male	L33	Parcel_Rack_LH	560898	male
L7.A	Parcel_Rack_RH	562758	male	L34	Parcel_Rack_LH	560898	male
L7.B	Parcel_Rack_RH	562759	male	L35	Parcel_Rack_LH	560898	male
L8.A	Parcel_Rack_RH	562758	male	L36	Parcel_Rack_LH	560898	male
L8.B	Parcel_Rack_RH	562759	male	L37	Parcel_Rack_LH	560898	male
L9.A	Parcel_Rack_LH	562758	male	L38	Parcel_Rack_LH	560898	male
L9.B	Parcel_Rack_LH	562759	male	L39	Parcel_Rack_LH	560898	male
L10.A	Parcel_Rack_LH	562758	male	L40	Parcel_Rack_RH	560898	male
L10.B	Parcel_Rack_LH	562759	male	L41	Parcel_Rack_RH	560898	male
L11.A	Parcel_Rack_LH	562758	male	L42	Parcel_Rack_RH	560898	male
L11.B	Parcel_Rack_LH	562759	male	L43	Parcel_Rack_RH	560898	male
L12.A	Parcel_Rack_LH	562758	male	L44	Parcel_Rack_RH	560898	male
L12.B	Parcel_Rack_LH	562759	male	L45	Parcel_Rack_RH	560898	male
L13.A	Parcel_Rack_LH	562758	male	L46	Parcel_Rack_RH	560898	male
L13.B	Parcel_Rack_LH	562759	male	L47	Parcel_Rack_RH	560898	male
L14.A	Parcel_Rack_LH	562758	male	L48	Parcel_Rack_RH	560898	male
L14.B	Parcel_Rack_LH	562759	male	L49	Parcel_Rack_RH	560898	male
L15.A	Parcel_Rack_LH	562758	male	L50	Parcel_Rack_RH	560898	male

# CONNECTORS LIST

No	Location	Part #	Gender	No	Location	Part #	Gender
L51	Parcel_Rack_RH	560898	male	L90.B	Rear_Roof	562286	male
L52	Driver_Area	560898	male	L91	Engine_Cmpt_	562755	male
L53	Passenger_Area	560898	male	L92	Engine_Cmpt_	562755	male
L54	Passenger_Area	560898	male	L93.A		563069	female
L55	Passenger_Area	560898	male	L93.B		563069	female
L56	Passenger_Area	560898	male	L94.A		563069	female
L57	Passenger_Area	560898	male	L94.B		563069	female
L58	Passenger_Area	560898	male	L95A		562485	male
L63	Outside_Front_RH	562155	male	L95B		562485	male
L64	Outside_Front_RH	562155	male	L96A		562485	male
L65	Outside_Front_LH	562155	male	L96B		562485	male
L66	Outside_Front_LH	562155	male	L97.A		563069	female
L67	3rd_Lugg_Cmpt_	562155	male	L97.B		563069	female
L68	3rd_Lugg_Cmpt_	562155	male	L98.A		563069	female
L69	3rd_Lugg_Cmpt_	562155	male	L98.B		563069	female
L70	3rd_Lugg_Cmpt_	562155	male	L99	Parcel_Rack_LH	560898	male
L71	Rear_Engine_Door	562601	male	L100	Parcel_Rack_LH	560898	male
L72	Rear_Vehicle	562155	male	L101	Parcel_Rack_LH	560898	male
L73	Rear_Vehicle	562601	male	L102	Parcel_Rack_LH	560898	male
L74	Rear_Vehicle	562155	male	L103	Parcel_Rack_LH	560898	male
L75	Rear_Vehicle	562155	male	L104	Parcel_Rack_LH	560898	male
L76	Rear_Engine_Door	562155	male	L105	Parcel_Rack_LH	560898	male
L77	Rear_Engine_Door	562601	male	L106	Parcel_Rack_LH	560898	male
L78	Rear_Engine_Door	562601	male	L107	Parcel_Rack_LH	560898	male
L79	Rear_Engine_Door	562601	male	L108	Parcel_Rack_LH	560898	male
L80	Rear_Engine_Door	562601	male	L109	Parcel_Rack_LH	560898	male
L81.A	Rear_Engine_Door	562835	female	L110	Parcel_Rack_LH	560898	male
L81.B	Rear_Engine_Door	562834	male	L111	Parcel_Rack_LH	560898	male
L82	Rear_Engine_Door	562348	female	L112	Parcel_Rack_LH	560898	male
L83	Rear_Engine_Door	562348	female	L113	Parcel_Rack_RH	560898	male
L84.A	Rear_Roof	561608	female	L114	Parcel_Rack_RH	560898	male
L84.B	Rear_Roof	562286	male	L115	Parcel_Rack_RH	560898	male
L85.A	Rear_Roof	561608	female	L116	Parcel_Rack_RH	560898	male
L85.B	Rear_Roof	562286	male	L117	Parcel_Rack_RH	560898	male
L86.A	Rear_Roof	561608	female	L118	Parcel_Rack_RH	560898	male
L86.B	Rear_Roof	562286	male	L119	Parcel_Rack_RH	560898	male
L87.A	Rear_Roof	561608	female	L120	Parcel_Rack_RH	560898	male
L87.B	Rear_Roof	562286	male	L121	Parcel_Rack_RH	560898	male
L88.A	Rear_Roof	561608	female	L122	Parcel_Rack_RH	560898	male
L88.B	Rear_Roof	562286	male	L123	Parcel_Rack_RH	560898	male
L89.A	Rear_Roof	561608	female	L124	Parcel_Rack_RH	560898	male
L89.B	Rear_Roof	562286	male	L125	Parcel_Rack_RH	560898	male
L90.A	Rear_Roof	561608	female	L126	Parcel_Rack_RH	560898	male

# CONNECTORS LIST

No	Location	Part #	Gender	No	Location	Part #	Gender
L127	Parcel_Rack_RH	562758	male	L172	Parcel_Rack_RH	562756	male
L128	Parcel_Rack_RH	562758	male	L173	Engine_Cmpt_	563268	male
L129	Parcel_Rack_RH	562758	male	L174	Engine_Cmpt_	563268	male
L130	Parcel_Rack_RH	562758	male	L175	RJB	561247	male
L131	Parcel_Rack_RH	562758	male	L176	5th_Lugg_Cmpt_	561247	male
L132	Parcel_Rack_RH	562758	male	L177	5th_Lugg_Cmpt_	561247	male
L134	Parcel_Rack_LH	562758	male	L178	3rd_Lugg_Cmpt_	561247	male
L135	Parcel_Rack_LH	562758	male	L179	3rd_Lugg_Cmpt_	561247	male
L136	Parcel_Rack_LH	562758	male	L180	2nd_Lugg_Cmpt_	561247	male
L137	Parcel_Rack_LH	562758	male	L181	2nd_Lugg_Cmpt_	561247	male
L138	Parcel_Rack_LH	562758	male	L182	1st_Lugg_Cmpt_	561247	male
L139	Parcel_Rack_LH	562758	male	L183	1st_Lugg_Cmpt_	561247	male
L140	Lavatory	561247	male	L184	Service_Cmpt_	561247	male
L142	Lavatory	562803	male	L186.A		562651	female
L143	Front_Roof	561247	male	L186.B		562290	female
L144.A	Parcel_Rack_LH	562756	male	L187	Engine_Cmpt_	561690	male
L145.A	Parcel_Rack_LH	562756	male	L188	Service_Cmpt_	562486	female
L146.A	Parcel_Rack_LH	562756	male	L189	Outside_Front_RH	562069	male
L147.A	Parcel_Rack_LH	562756	male	L190	Outside_Front_LH	562069	male
L148.A	Parcel_Rack_LH	562756	male	L192	Parcel_Rack_LH	560898	male
L149.A	Parcel_Rack_LH	562756	male	L193.A	Dash	560488	female
L150.A	Parcel_Rack_LH	562756	male	L193.B	Dash	560488	female
L151.A	Parcel_Rack_LH	562756	male	L194.A	Left_Hand_Console	562019	female
L152.A	Parcel_Rack_LH	562756	male	L194.B	Left_Hand_Console	560488	female
L153.A	Parcel_Rack_LH	562756	male	L195.A	Dash	560488	female
L154.A	Parcel_Rack_LH	562756	male	L195.B	Dash	560488	female
L155.A	Parcel_Rack_LH	562756	male	L199	Engine_Cmpt_	562471	male
L156.A	Parcel_Rack_LH	562756	male	L200	Engine_Cmpt_	562471	male
L157.A	Parcel_Rack_LH	562756	male	L201	Front_Roof	561247	male
L158.A	Parcel_Rack_LH	562756	male	L202	Front_Roof	561247	male
L159.A	Parcel_Rack_RH	562756	male	L203		561690	male
L160.A	Parcel_Rack_RH	562756	male	L204		562803	male
L161.A	Parcel_Rack_RH	562756	male	L205	Evap_Cmpt_	562485	male
L162.A	Parcel_Rack_RH	562756	male	L206	Parcel_Rack_RH	562803	male
L163.A	Parcel_Rack_RH	562756	male	L207.A	5th_Lugg_Cmpt_	561699	female
L164.A	Parcel_Rack_RH	562756	male	L207.B	5th_Lugg_Cmpt_	561699	female
L165.A	Parcel_Rack_RH	562756	male	L207.C	5th_Lugg_Cmpt_	561701	female
L166.A	Parcel_Rack_RH	562756	male	L207.D	5th_Lugg_Cmpt_	561699	female
L167.A	Parcel_Rack_RH	562756	male	L207.E	5th_Lugg_Cmpt_	561701	female
L168.A	Parcel_Rack_RH	562756	male	L207.F	5th_Lugg_Cmpt_	561699	female
L169.A	Parcel_Rack_RH	562756	male	L207.G	5th_Lugg_Cmpt_	561699	female
L170.A	Parcel_Rack_RH	562756	male	L207.H	5th_Lugg_Cmpt_	560926	female
L171.A	Parcel_Rack_RH	562756	male	L207.I	5th_Lugg_Cmpt_	560926	female

# CONNECTORS LIST

No	Location	Part #	Gender	No	Location	Part #	Gender
L208	Outside_Front_LH	563088	male	L236.A	Parcel_Rack_RH	562758	male
L209	Outside_Front_RH	563088	male	L236.B	Parcel_Rack_RH	562759	male
L211	Entrance_Door	562486	female	L238.A	Parcel_Rack_RH	561248	female
L213.A	Parcel_Rack_RH	561248	female	L238.B	Parcel_Rack_RH	561248	female
L213.B	Parcel_Rack_RH	561248	female	L239.A	Parcel_Rack_RH	561248	female
L214.A	Parcel_Rack_RH	561248	female	L239.B	Parcel_Rack_RH	561248	female
L214.B	Parcel_Rack_RH	561248	female	L240.A	Parcel_Rack_RH	561248	female
L215.A	Parcel_Rack_RH	561248	female	L240.B	Parcel_Rack_RH	561248	female
L215.B	Parcel_Rack_RH	561248	female	L241.A	Parcel_Rack_RH	561248	female
L216.A	Parcel_Rack_RH	561248	female	L241.B	Parcel_Rack_RH	561248	female
L216.B	Parcel_Rack_RH	561248	female	L242.A	Parcel_Rack_RH	561248	female
L217.A	Parcel_Rack_RH	561248	female	L242.B	Parcel_Rack_RH	561248	female
L217.B	Parcel_Rack_RH	561248	female	L244.A	Parcel_Rack_RH	562756	male
L218.A	Parcel_Rack_RH	561248	female	L245.A	Parcel_Rack_RH	562756	male
L218.B	Parcel_Rack_RH	561248	female	L246.A	Parcel_Rack_RH	562756	male
L219.A	Parcel_Rack_LH	561248	female	L247.A	Parcel_Rack_RH	562756	male
L219.B	Parcel_Rack_LH	561248	female	L248.A	Parcel_Rack_RH	562756	male
L220.A	Parcel_Rack_LH	561248	female	L249.A		562756	male
L220.B	Parcel_Rack_LH	561248	female	L250.A		562756	male
L221.A	Parcel_Rack_LH	561248	female	L251.A		562756	male
L221.B	Parcel_Rack_LH	561248	female	L252.A		562756	male
L222.A	Parcel_Rack_LH	561248	female	L253.A		562756	male
L222.B	Parcel_Rack_LH	561248	female	L254.A		562756	male
L223.A	Parcel_Rack_LH	561248	female	L255.A		562756	male
L223.B	Parcel_Rack_LH	561248	female	L256.A		562756	male
L224.A	Parcel_Rack_LH	561248	female	L257.A		562756	male
L224.B	Parcel_Rack_LH	561248	female	L258	Parcel_Rack_RH	560898	male
L225.A	Parcel_Rack_LH	561248	female	L259	Parcel_Rack_RH	560898	male
L225.B	Parcel_Rack_LH	561248	female	L260	Parcel_Rack_RH	560898	male
L226	Parcel_Rack_RH	562758	male	L261	Parcel_Rack_RH	560898	male
L227	Parcel_Rack_RH	562758	male	L262	Parcel_Rack_RH	560898	male
L228	Parcel_Rack_RH	562758	male	L263	Parcel_Rack_RH	560898	male
L229	Parcel_Rack_RH	562758	male	L264	Parcel_Rack_RH	560898	male
L230	Parcel_Rack_RH	562758	male	L266	Parcel_Rack_RH	560898	male
L231	Parcel_Rack_RH	562758	male	L267	Parcel_Rack_RH	560898	male
L232.A	Parcel_Rack_RH	562758	male	L268	Parcel_Rack_RH	560898	male
L232.B	Parcel_Rack_RH	562759	male	L269	Parcel_Rack_RH	560898	male
L233.A	Parcel_Rack_RH	562758	male	L270	Parcel_Rack_RH	560898	male
L233.B	Parcel_Rack_RH	562759	male	L271	Parcel_Rack_RH	560898	male
L234.A	Parcel_Rack_RH	562758	male	L272	Parcel_Rack_RH	560898	male
L234.B	Parcel_Rack_RH	562759	male	L273	Parcel_Rack_RH	560898	male
L235.A	Parcel_Rack_RH	562758	male	L274	Parcel_Rack_RH	560898	male
L235.B	Parcel_Rack_RH	562759	male	L275	Parcel_Rack_RH	560898	male



# CONNECTORS LIST

No	Location	Part #	Gender	No	Location	Part #	Gender
L276	Parcel_Rack_RH	560898	male	Mo27		563691	male
L277	Parcel_Rack_RH	560898	male	Mo28		563691	male
L278	Parcel_Rack_RH	560898	male	Mo54		562474	male
L279	Parcel_Rack_RH	560898	male	Mo61		561248	female
L280	Parcel_Rack_RH	560898	male	Mo62		562486	female
L281	Parcel_Rack_RH	560898	male	Mo63		562486	female
L282	Rear_Axle_Cmpt_	561690	male	P36.A	Engine_Cmpt_	561701	female
L288.A		561539	male	P36.B	Engine_Cmpt_	561701	female
L288.B		561539	male	P36.C	Engine_Cmpt_	561701	female
L289.A		561539	male	PI		561782	male
L289.B		561539	male	Pot1.A	Dash	560488	female
L293.A		560081	female	Pot1.B	Dash	560488	female
L293.B		560081	female	Pot1.C	Dash	560488	female
L294.A		560081	female	Pr1		561782	male
L294.B		560081	female	PR2		561782	male
L295		562251	male	Pr3		561782	male
L312.A		562756	male	Pr4		561782	male
L312.B		562505	female	Pr5		561782	male
L313		562789	male	Pr6		561782	male
L314		562789	male	Pr7		561782	male
Mo1	Engine_Cmpt_	561690	female	Pr8		561782	male
Mo2	Engine_Cmpt_	561782	male	Pr9		561782	male
Mo3	Dash	561667	female	Pr10		561782	male
Mo4	Dash	562076	male	Pr11		561782	male
Mo5	Front_Roof	561550	female	Pr12		561782	male
Mo6	Service_Cmpt_	561690	male	Pr13		561782	male
Mo7		563691	male	Pr14		561782	male
Mo8		563691	male	R-12VISS	Porte-Colis	561183	male
Mo10		561515	male	R.H.CONSOLE		560999	male
Mo11		561515	male	R.H.MODESTYPANEL		560999	male
Mo12	Evap_Cmpt_	561690	male	R2	RJB	561183	male
Mo13	Engine_Cmpt_	561690	female	R3	RJB	563409	male
Mo14	Parcel_Rack_RH	561566	female	R4		561183	male
Mo15	Front_Roof	560900	female	R5	RJB	561183	male
Mo16	Front_Roof	560900	female	R6	RJB	561183	male
Mo17		563626	male	R10	Evap_Cmpt_	563409	male
Mo18		562474	male	R11	RJB	561183	male
Mo19		562474	male	R12	Evap_Cmpt_	563409	male
Mo20		562474	male	R13	RJB	561183	male
Mo21	Front_Roof	561186	male	R14	RJB	562367	male
Mo22	Right_Hand_Console	561186	male	R15	RJB	561183	male
Mo24	Right_Hand_Console	562348	female	R16	Dash	561183	male
Mo25	Right_Hand_Console	562348	female	R17	RJB	562367	male

# CONNECTORS LIST

No	Location	Part #	Gender	No	Location	Part #	Gender
R18	FJB	562367	male	Se4	Window_RH	561477	female
R19	FJB	562367	male	Se5	Window_RH	561477	female
R20	Evap_Cmpt_	561183	male	Se6	Window_RH	561477	female
R22		561183	male	Se7	Window_LH	561477	female
R23	Right_Hand_Console	561183	male	Se8	Window_LH	561477	female
R24	FJB	561183	male	Se9	Window_LH	561477	female
R25	RJB	561183	male	Se10	Window_LH	561477	female
R26	Cond_Cmpt_	561183	male	Se11.A	Cond_Cmpt_	560082	male
R27		561183	male	Se11.B	Cond_Cmpt_	560082	male
R29		563409	male	Se11.C	Cond_Cmpt_	560082	male
R31.A		562367	male	Se12	Engine_Cmpt_	561690	female
R32		561183	male	Se13	Engine_Cmpt_	562350	male
R35		561183	male	Se13A		561782	male
R36		561183	male	Se14.A	Driver_Area	561782	male
R37		561183	male	Se14.B	Driver_Area	561781	female
R39.A		562367	male	Se15	Right_Hand_Console	560898	male
R41		561183	male	Se16	Entrance_Door	562348	female
R42		561183	male	Se17	Entrance_Door	560081	female
R43		561183	male	Se19		563677	male
R44		561183	male	Se19A		563677	male
R45		561183	male	Se20	Evap_Cmpt_	562426	male
R46		563409	male	Se21	Dash	561248	female
R73		563409	male	Se23	Engine_Cmpt_	563159	male
R74		561183	male	Se24	Engine_Cmpt_	563159	male
R_AMPLI	Porte-Colis	562367	male	Se25	Passenger_Area	561248	female
R_Flip		561183	male	Se26	Service_Cmpt_	561690	female
R_SAT		561183	male	Se27	Front_Axle_Cmpt_	561111	female
R_Tv		561183	male	Se28		561690	male
Res3		563590	female	Se29		561566	female
Res4		563590	female	Se30	Engine_Cmpt_	561690	female
Res5	Dash	563590	female	Se31	Engine_Cmpt_	561690	female
Res6		563590	female	Se32	Engine_Cmpt_	563057	male
Res7	FJB	563590	female	Se33	Engine_Cmpt_	562856	male
Res12	Engine_Cmpt_	563590	female	Se34	Engine_Cmpt_	563057	male
Res15	RJB	561782	male	Se35	Engine_Cmpt_	563057	male
Res31		563795	female	Se36		563629	female
Res31A		563795	female	Se37		641132	female
Res32		563795	female	Se38		641132	female
Res32A		563796	female	Se39		641132	female
Res40.A		563590	female	Se40		641132	female
Res41.A		563590	female	Se43		563340	male
Res42.A		563590	female	Se44.A		560082	female
RZF1		561183	male	Se44.B		560082	female

# CONNECTORS LIST

No	Location	Part #	Gender	No	Location	Part #	Gender
Se45		563409	male	So20		564045	female
Se46		562348	female	So21		564046	female
Se53		563159	female	So22		564046	female
Se54		563159	female	So23		564046	female
Se60		563409	male	So24		564046	female
Se63		641132	female	So25		641949	male
Se64		641132	female	So26		641385	male
Se65		564042	female	So27		564045	female
Se66		564039	female	So50		564046	female
Se67		563159	female	So51		564046	female
Se68		563159	female	So52		564045	female
Se69		563159	female	So53		564045	female
Se70		563340	male	Sp17_R		563994	male
Se71.J1		561017	female	Spk1_L		563994	male
Se72.J1		560900	female	Spk1_R		563994	male
Se73.J1		560900	female	Spk2_L		563994	male
Se74.J1		560900	female	Spk2_R		563994	male
Se75.J1		560852	male	Spk3_L		563994	male
Se76.J1		560852	male	Spk3_R		563994	male
Se80.J1		560852	male	Spk4_L		563994	male
Se81.J1		561017	female	Spk4_R		563994	male
Se82.J1		560900	female	Spk5_L		563994	male
Se83.J1		560900	female	Spk5_R		563994	male
Se84.J1		560900	female	Spk6_L		563994	male
Se85.J1		560852	male	Spk6_R		563994	male
Se86		563159	female	Spk7_L		563994	male
So1	Engine_Cmpt_	561566	female	Spk7_R		563994	male
So3		641385	male	Spk8_L		563994	male
So4		641385	male	Spk8_R		563994	male
So5		641385	male	Spk9_L		563994	male
So6		641385	male	Spk9_R		563994	male
So7	Service_Cmpt_	561566	male	Spk10_L		563994	male
So8	Service_Cmpt_	563204	female	Spk10_R		563994	male
So9	Engine_Cmpt_	561566	female	Spk11_L		563994	male
So10	Cond_Cmpt_	562485	male	Spk11_R		563994	male
So11	Cond_Cmpt_	561566	female	Spk12_L		563994	male
So13	Evap_Cmpt_	563204	female	Spk12_R		563994	male
So14		564045	female	Spk13_L		563994	male
So15		564045	female	Spk13_R		563994	male
So16		564045	female	Spk14_L		563994	male
So17		564045	female	Spk14_R		563994	male
So18		641385	male	Spk15_L		563994	male
So19		641385	male	Spk15_R		563994	male

# CONNECTORS LIST

No	Location	Part #	Gender	No	Location	Part #	Gender
Spk16_L		563994	male	Sw43	Service_Cmpt_	561690	male
Spk16_R		563994	male	Sw44.A		562403	female
SpkDr_L		563994	male	Sw44.B		562403	female
SpkDr_R		563994	male	Sw45.A	5th_Lugg_Cmpt_	562403	female
Sub1.A		564004	female	Sw45.B	5th_Lugg_Cmpt_	562403	female
Sub2		564004	female	Sw46.A	5th_Lugg_Cmpt_	562403	female
Sw1.C258		561188	female	Sw46.B	5th_Lugg_Cmpt_	562403	female
Sw1.C259		561186	male	Sw47.A	3rd_Lugg_Cmpt_	562403	female
Sw2	Dash	562763	male	Sw47.B	3rd_Lugg_Cmpt_	562403	female
Sw3		562763	male	Sw48.A	3rd_Lugg_Cmpt_	562403	female
Sw4		562763	male	Sw48.B	3rd_Lugg_Cmpt_	562403	female
Sw5	Dash	562763	male	Sw49.A	2nd_Lugg_Cmpt_	562403	female
Sw6		562763	male	Sw49.B	2nd_Lugg_Cmpt_	562403	female
Sw7.A	Cond_Cmpt_	562403	female	Sw50.A	2nd_Lugg_Cmpt_	562403	female
Sw7.B	Cond_Cmpt_	562403	female	Sw50.B	2nd_Lugg_Cmpt_	562403	female
Sw10A		562763	male	Sw51.A	1st_Lugg_Cmpt_	562403	female
Sw11A	Left_Hand_Console	562763	male	Sw51.B	1st_Lugg_Cmpt_	562403	female
Sw12		562763	male	Sw52	1st_Lugg_Cmpt_	562403	female
Sw13	Dash	562763	male	Sw52.B	1st_Lugg_Cmpt_	562403	female
Sw14		562763	male	Sw53	Parcel_Rack_LH	562651	female
Sw16		562763	male	Sw55.A	Lavatory	560488	female
Sw17	Dash	562763	male	Sw55.B	Lavatory	560488	female
Sw18A		562763	male	Sw56.A	Lavatory	560488	female
Sw20		562763	male	Sw56.B	Lavatory	560488	female
Sw21		562763	male	Sw57	WCL_Door	563543	male
Sw23	Dash	562763	male	Sw58	Engine_Cmpt_	562581	male
Sw24		562763	male	Sw59	Engine_Cmpt_	562485	male
Sw25	Dash	562763	male	Sw60	Engine_Cmpt_	561566	female
Sw26		562763	male	Sw63A		562763	male
Sw27		562763	male	Sw64.A		560815	female
Sw29		562763	male	Sw64.B		560815	female
Sw30		561566	female	Sw65	Parcel_Rack_LH	562651	female
Sw31	WCL_Door	563543	male	Sw66	Parcel_Rack_LH	562651	female
Sw32	Dash	561477	female	Sw67	Parcel_Rack_LH	562651	female
Sw33	Dash	561476	male	Sw68	Parcel_Rack_LH	562651	female
Sw34	Outside_Front_RH	562477	male	Sw69	Parcel_Rack_LH	562651	female
Sw35		562763	male	Sw70	Parcel_Rack_LH	562651	female
Sw38	Left_Hand_Console	562763	male	Sw71	Parcel_Rack_LH	562651	female
Sw39.A		562403	female	Sw72	Parcel_Rack_LH	562651	female
Sw39.B		562403	female	Sw73	Parcel_Rack_RH	562651	female
Sw40	Left_Hand_Console	561690	male	Sw74	Parcel_Rack_RH	562651	female
Sw41	Left_Hand_Console	562749	male	Sw75	Parcel_Rack_RH	562651	female
Sw42	5th_Lugg_Cmpt_	561635	female	Sw76	Parcel_Rack_RH	562651	female

# CONNECTORS LIST

No	Location	Part #	Gender	No	Location	Part #	Gender
Sw77	Parcel_Rack_RH	562651	female	Sw305		562763	male
Sw78	Parcel_Rack_RH	562651	female	Sw306		562763	male
Sw79	Parcel_Rack_RH	562651	female	Tab128		561626	N/A
Sw80	Parcel_Rack_RH	562651	female	Tab129		561626	N/A
Sw81.A	Dash	562905	male	test1		561782	N/A
Sw81.B	Dash	562905	male	VECF1	FJB	563186	male
Sw82.A	RJB	561457	female	VECF2	FJB	563183	male
Sw82.B	RJB	561457	female	VECF3	FJB	563185	male
Sw82.C	RJB	561457	female	VECF4	FJB	563182	male
Sw82.D	RJB	561457	female	VECF9		563448	male
Sw83.A	Dash	560082	female	VECF10	FJB	563181	male
Sw83.B	Dash	560815	female	VECF11	FJB	563184	male
Sw83.C	Dash	560082	female	VECF12	FJB	563187	male
Sw83.D	Dash	560815	female	VECR1	RJB	563186	male
Sw84.A	Service_Cmpt_	562477	male	VECR2	RJB	563183	male
Sw84.B	Service_Cmpt_	560488	female	VECR3	RJB	563185	male
Sw85	Left_Hand_Console	562749	male	VECR4	RJB	563182	male
Sw86	Parcel_Rack_RH	562651	female	VECR9	RJB	563448	male
Sw87	Parcel_Rack_RH	562651	female	VECR10	RJB	563181	male
Sw88	Parcel_Rack_RH	562651	female	VECR11		563184	male
Sw89	Parcel_Rack_RH	562651	female	VECR12		563187	male
Sw90	Parcel_Rack_RH	562651	female	Y80		563789	male
Sw91	Parcel_Rack_RH	562651	female	Y80A		563789	male
Sw92	Parcel_Rack_RH	562651	female	Y81		563793	male
Sw93	Parcel_Rack_RH	562651	female	Y81A		563793	male
Sw94.A		562403	female	{}		562330	female
Sw94.B		562403	female				
Sw95.A	WCL_Door	561626	female				
Sw95.B	WCL_Door	561626	female				
Sw96.A	WCL_Door	561626	female				
Sw96.B	WCL_Door	561626	female				
Sw97.A		562119	female				
Sw97.B		562119	female				
Sw100A		562763	male				
Sw103		562957	male				
Sw125.A		561457	female				
Sw125.B		561457	female				
Sw152	Left_Hand_Console	562471	male				
Sw299		562763	male				
Sw300		562763	male				
Sw301		562763	male				
Sw302		562763	male				
Sw304		562763	male				

# CONNECTORS LIST

No	Location	Part #	Gender	No	Location	Part #	Gender
Sw93	Parcel_Rack_RH	562651	female	VECR10	RJB	563181	male
Sw94.A		562403	female	VECR11		563184	male
Sw94.B		562403	female	VECR12		563187	male
Sw95.A	WCL_Door	561626	female	Y80		563789	male
Sw95.B	WCL_Door	561626	female	Y81		563793	male
Sw96.A	WCL_Door	561626	female				
Sw96.B	WCL_Door	561626	female				
Sw97.A		562119	female				
Sw97.B		562119	female				
Sw100A		562763	male				
Sw103		562957	male				
Sw125.A		561457	female				
Sw125.B		561457	female				
Sw137		562763	male				
Sw152	Left_Hand_Console	562471	male				
Sw299		562763	male				
Sw300		562763	male				
Sw301		562763	male				
Sw302		562763	male				
Sw304		562763	male				
Sw305		562763	male				
Sw306		562763	male				
sym733_345.A		560999	male				
sym740_345.A		560999	male				
sym742_345.A		560999	male				
sym759_345		560999	male				
sym765_64		560999	male				
Tab128		561626	N/A				
Tab129		561626	N/A				
test1		561782	N/A				
VECF1	FJB	563186	male				
VECF2	FJB	563183	male				
VECF3	FJB	563185	male				
VECF4	FJB	563182	male				
VECF9		563448	male				
VECF10	FJB	563181	male				
VECF11	FJB	563184	male				
VECF12	FJB	563187	male				
VECR1	RJB	563186	male				
VECR2	RJB	563183	male				
VECR3	RJB	563185	male				
VECR4	RJB	563182	male				
VECR9	RJB	563448	male				

## DIODES NUMBER CODE

No.	Location	Prev#	Function	Page
D1	FJB	561740	Accessories Diode	3.2
D2	FJB	561740	Diode Driver Liq. Sol.	18.1
D3	Upper Front Cap	561740	Suppressor Diode Upper Wiper	34.1
D4	RH Console	561740	Suppressor Diode Lower Wiper 2nd Spd	34.1
D5	RH Console	561740	Suppressor Diode Lower Wiper 1st Spd	34.1
D6	RJB	561740	Suppressor Diode Master relay	3.1
D7	Right Hand Console	561740	Entance Door Diode	29.1
D8	RJB	561740	Diode P-Rack Liq. Sol	18.2
D9	Evap. Cmpt.	561740	Hvac Diode	17.1
D10	Evap. Cmpt.	561740	Pre-Heat Diode	17.1
D11	Evap. Cmpt.	561740	Diode Pass. Liq. Sol	18.2
D12	FJB	561740	Engine Brake diode	12.1
D13	FJB	561740	ABS	16.1
D15	RJB	561740	WakeUp Diode	3.2
D16	Evap. Cmpt.	561740	Luggage Diode 3 rd Cmpt	25.1
D17	Evap. Cmpt.	561740	Luggage Diode 5th Cmpt	25.1
D19	Evap. Cmpt.	561740	Luggage Diode 2nd Cmpt	25.1
D20	Evap. Cmpt.	561740	Luggage Diode 1er Cmpt	25.1
D22	RJB VECR	561740	Service Brake Diode	12.1
D23	Condensor Cmpt.	561740	Suppressor Diode Condensor Fan RH	18.2
D24	Condensor Cmpt.	561740	Suppressor Diode Condensor Fan LH	18.2
D25	Evap. Cmpt.	561740	Suppressor Diode Evaporator Fan	18.2
D26	LH P-Rack	561740	Suppressor Diode P-Rack Fan LH	18.2
D27	RH P-Rack	561740	Suppressor Diode P-Rack Fan RH	18.2
D28	RJB	561740	Suppressor Diode Unloader LH	18.2
D29	RJB	561740	Suppressor Diode Unloader RH	18.2
D30	Evap. Cmpt.	561740	Suppressor Diode Water Pump	18.2
D31	RJB	561740	Suppressor Diode A/C Clutch	18.2
D32	Engine Cmpt.	561740	Suppressor Diode Lav Fan	11.1
D33	RJB	561740	Entrance Door Ceiling	18.1
D34	RJB	561740	Suppressor Diode Upper Defroster Fan	18.1
D35	Service Cmpt.	561740	Suppressor Diode Upper Def Pump	18.1
D36	RJB	561740	Suppressor Diode Radiator Fan Clutch 2nd Spd	13.1
D37	RJB	561740	Suppressor Diode Radiator Fan Clutch 1st Spd	13.1
D38	Front Ceiling	563375	Suppressor Zener Diode Sun Visor RH	30.1
D39	Front Ceiling	563375	Suppressor Zener Diode Sun Visor RH	30.1
D40	Upper Front Cap	563375	Suppressor Zener Diode Sun Visor LH	30.1
D41	Upper Front Cap	563375	Suppressor Zener Diode Sun Visor LH	30.1
D42	LH Console	563374	Suppressor Zener Diode Driver Wdw	30.1
D43	LH Console	563374	Suppressor Zener Diode Driver Wdw	30.1
D44	FJB	561740	Ignition Diode	3.2
D45	Service Cmpt.	561740	Suppressor Diode Air Horn	9.1
D46	FJB	563557	Diode	12.1
D47	RJB VECR	563557	Diode	5.1
D48	RJB VECR	563557	Diode	5.1

## DIODES NUMBER CODE

No.	Location	Prev#	Function	Page
D1	FJB	561740	Accessories Diode	3.2
D2	FJB	561740	Diode Driver Liq. Sol.	18.1
D3	Upper Front Cap	561740	Suppressor Diode Upper Wiper	34.1
D4	RH Console	561740	Suppressor Diode Lower Wiper 2nd Spd	34.1
D5	RH Console	561740	Suppressor Diode Lower Wiper 1st Spd	34.1
D6	RJB	561740	Suppressor Diode Master relay	3.1
D7	Right Hand Console	561740	Entance Door Diode	29.1
D8	RJB	561740	Diode P-Rack Liq. Sol	18.2
D9	Evap. Cmpt.	561740	Hvac Diode	17.1
D10	Evap. Cmpt.	561740	Pre-Heat Diode	17.1
D11	Evap. Cmpt.	561740	Diode Pass. Liq. Sol	18.2
D12	FJB	561740	Engine Brake diode	12.1
D13	FJB	561740	ABS	16.1
D15	RJB	561740	WakeUp Diode	3.2
D16	Evap. Cmpt.	561740	Luggage Diode 3 rd Cmpt	25.1
D17	Evap. Cmpt.	561740	Luggage Diode 5th Cmpt	25.1
D19	Evap. Cmpt.	561740	Luggage Diode 2nd Cmpt	25.1
D20	Evap. Cmpt.	561740	Luggage Diode 1er Cmpt	25.1
D22	RJB VECR	561740	Service Brake Diode	12.1
D23	Condensor Cmpt.	561740	Suppressor Diode Condensor Fan RH	18.2
D24	Condensor Cmpt.	561740	Suppressor Diode Condensor Fan LH	18.2
D25	Evap. Cmpt.	561740	Suppressor Diode Evaporator Fan	18.2
D26	LH P-Rack	561740	Suppressor Diode P-Rack Fan LH	18.2
D27	RH P-Rack	561740	Suppressor Diode P-Rack Fan RH	18.2
D28	RJB	561740	Suppressor Diode Unloader LH	18.2
D29	RJB	561740	Suppressor Diode Unloader RH	18.2
D30	Evap. Cmpt.	561740	Suppressor Diode Water Pump	18.2
D31	RJB	561740	Suppressor Diode A/C Clutch	18.2
D32	Engine Cmpt.	561740	Suppressor Diode Lav Fan	11.1
D33	RJB	561740	Entrance Door Ceiling	18.1
D34	RJB	561740	Suppressor Diode Upper Defroster Fan	18.1
D35	Service Cmpt.	561740	Suppressor Diode Upper Def Pump	18.1
D36	RJB	561740	Suppressor Diode Radiator Fan Clutch 2nd Spd	13.1
D37	RJB	561740	Suppressor Diode Radiator Fan Clutch 1st Spd	13.1
D38	Front Ceiling	563375	Suppressor Zener Diode Sun Visor RH	30.1
D39	Front Ceiling	563375	Suppressor Zener Diode Sun Visor RH	30.1
D40	Upper Front Cap	563375	Suppressor Zener Diode Sun Visor LH	30.1
D41	Upper Front Cap	563375	Suppressor Zener Diode Sun Visor LH	30.1
D42	LH Console	563374	Suppressor Zener Diode Driver Wdw	30.1
D43	LH Console	563374	Suppressor Zener Diode Driver Wdw	30.1
D44	FJB	561740	Ignition Diode	3.2
D45	Service Cmpt.	561740	Suppressor Diode Air Horn	9.1
D46	FJB	563557	Diode	12.1
D47	RJB VECR	563557	Diode	5.1
D48	RJB VECR	563557	Diode	5.1
D49	FJB	563332	Diode	38.1



## DIODES NUMBER CODE

No	Location	Part #	Function	Page	No	Location	Part #	Function	Page
D1	FJB	561740	AccessoriesDiode	3.2	D45	Service_Cmpt_	561740	SuppressorDiodeAirHorn	9.1
D2	FJB	561740	DiodeDriverLiq.Sol.	18.1	D46	FJB	563557	Diode	12.1
D3	UpperFrontCap	561740	SuppressorDiodeUpperWiper	34.1	D48	RJB_VECR	563557	Diode	5.1
D4	RHConsole	561740	SuppressorDiodeLowerWiper2ndSpd	34.1	D49	RJB	560931	FPS	38.1
D5	RHConsole	561740	SuppressorDiodeLowerWiper1stSpd	34.1	D72	Parcel_Rack_LH_1st_Cmpt_	561740	SOUND_SYSTEM	35.0
D6	RJB	561740	SuppressorDiodeMasterrelay	3.1					
D7	Right_Hand_Console	561740	EntanceDoorDiode	29.1					
D8	RJB	561740	DiodeP-RackLiq.Sol	18.2					
D9	Evap_Cmpt_	561740	HvacDiode	17.1					
D10	Evap_Cmpt_	561740	Pre-HeatDiode	17.1					
D11	Evap_Cmpt_	561740	DiodePass.Liq.Sol	18.2					
D12	FJB	561740	*opt*	12.1					
D15	RJB	561740	WakeUpDiode	3.2					
D16	Evap_Cmpt_	561740	LuggageDiode3rdCmpt	25.1					
D17	Evap_Cmpt_	561740	LuggageDiode5thCmpt	25.1					
D19	Evap_Cmpt_	561740	LuggageDiode2ndCmpt	25.1					
D20	Evap_Cmpt_	561740	LuggageDiode1erCmpt	25.1					
D22	RJB_VECR	561740	ServiceBrakeDiode	12.1					
D23	CondensorCmpt.	561740	SuppressorDiodeCondensorFanRH	18.2					
D24	CondensorCmpt.	561740	*opt*	18.2					
D25	Evap_Cmpt_	561740	SuppressorDiodeEvaporatorFan	18.2					
D26	LHP-Rack	561740	SuppressorDiodeP-RackFanLH	18.2					
D27	RHP-Rack	561740	SuppressorDiodeP-RackFanRH	18.2					
D28	RJB	561740	SuppressorDiodeUnloaderLH	18.2					
D29	RJB	561740	SuppressorDiodeUnloaderRH	18.2					
D30	Evap_Cmpt_	561740	SuppressorDiodeWaterPump	18.2					
D31	RJB	561740	SuppressorDiodeA/Cclutch	18.2					
D32	Engine_Cmpt_	561740	SuppressorDiodeLavFan	11.1					
D33	RJB	561740	SuppressorDiodeFlushPump	11.1					
D34	EntranceDoorCeiling	561740	SuppressorDiodeUpperDefrosterFan	18.1					
D35	Service_Cmpt_	561740	SuppressorDiodeUpperDefPump	18.1					
D36	RJB	561740	SuppressorDiodeRadiatorFanClutch2ndSpd	13.1					
D37	RJB	561740	SuppressorDiodeRadiatorFanClutch1stSpd	13.1					
D38	FrontCeiling	563375	SuppressorZenerDiodeSunVisorRH	30.1					
D39	FrontCeiling	563375	SuppressorZenerDiodeSunVisorRH	30.1					
D40	UpperFrontCap	563375	SuppressorZenerDiodeSunVisorLH	30.1					
D41	UpperFrontCap	563375	SuppressorZenerDiodeSunVisorLH	30.1					
D42	LHConsole	563374	SuppressorZenerDiodeDriverWdw	30.1					
D43	LHConsole	563374	SuppressorZenerDiodeDriverWdw	30.1					
D44	FJB	561740	IgnitionDiode	3.2					







## RESISTORS NUMBER CODE

No.	Location	Prev#	Function	Page
Res1	FJB	563205	ABS	16.1_ABS2B
Res3	RJB	563593	120R Term. Resis.	6.1_MuxNetwork0A
Res4	RightHandConsole	563593	120R Term. Resis.	6.1_MuxNetwork4C
Res5	Dash	563593	120R Term. Resis.	6.1_MuxNetwork0E
Res6	FJB	563593	120R Term. Resis.	6.1_MuxNetwork2C
Res7	FJB	563593	120R Term. Resis.	7.1_Mux_Power4B
Res8	EntranceDoorCeiling	563436	VoltageDropRes	18.1_Defroster2D
Res9	DashBoard	100R	CurrentLimitRes	10.1_Cluster1D
Res10	RJBCloseECU	562470	SignalDropRes	15.1_Transmission2A
Res11	EntranceDoorCeiling	563436	VoltageDropRes	18.1_Defroster3D
Res12	EngineCmpt.	563593	120R Term. Resis.	14.1_ECM_Motor3B
Res13	RJB	563154	ExcitationresistorAlt.1	3.2_EngineStart_ChrgSyst1D
Res14	RJB	563154	ExcitationresistorAlt.2	3.2_EngineStart_ChrgSyst1E

## RESISTORS NUMBER CODE

No	Location	Part #	Function	Page
Res1	FJB	563205	ABS	16.1
Res2	FJB	563205	BackupMon.PullDown	28.1
Res3	RJB	563593	120RTerm.Resis.	6.1
Res4	Right_Hand_Console	563593	120RTerm.Resis.	6.1
Res5	Dash	563593	120RTerm.Resis.	6.1
Res6	FJB	563593	120RTerm.Resis.	6.1
Res7	FJB	563593	120RTerm.Resis.	7.1
Res8	EntranceDoorCeiling	563436	VoltageDropRes	18.1
Res9	DashBoard	100R	CurrentLimitRes	10.1
Res11	EntranceDoorCeiling	563436	VoltageDropRes	18.1
Res12	Engine_Cmpt_	563593	120RTerm.Resis.	14.1
Res13	RJB	563154	ExcitationresistorAlt.1	3.2
Res14	RJB	563154	ExcitationresistorAlt.2	3.2
Res15	RJB	563587	ENDOFFLINEDEVICE	38.1
Res19	*opt*	*opt*	*opt*	32.1
Res20	*opt*	*opt*	*opt*	32.1
Res22	Galley	562908	Galley	40.1
Res23	Galley	562908	Galley	40.1
Res24	Galley	562908	Galley	40.1
Res25	Galley	562908	Galley	40.1
Res26	Galley	562908	Galley	40.1
Res27	Galley	562908	Galley	40.1









## RELAYS

No	Location	Part no	Function	Page
R1	RJB	562364	MasterRelay	3.1
R2	RJB	563332	Transmission ZF	15.2
R3	RJB	563348	12vIgn&AccRelay	3.1
R4	FJB	563332	Pre-heater cut-off	38.1
R5	RJB	563332	ChargerRelay	17.1
R6	FuseBoxRJB	563332	DirectLightsRelay	24.1
R8	FuseBoxRJB	563269	ServiceBrakeRelay	12.1
R9	Evap.Cmpt.	563348	CondensorRelay2stSpeed	18.2
R10	Evap.Cmpt.	563348	CondensorRelay1stSpeed	18.2
R11	RJB VECR	563332	ZFIgn	5.1
R12	Evap.Cmpt.	563348	EvaporatorRelay	18.2
R13	FuseBoxRJB	563332	Ind.LightRelay	23.1
R14	RJB	561991	ReadingLampRelay	22.1
R15	FuseBoxRJB	563332	EmergencyLamps	20.1
R16	DashBoard	563332	AudibleFlasherRelay	26.1
R17	RJB	561991	12vRrWUpRelay	3.3
R18	FJB	561991	24vFrWUpRelay	3.3
R19	FJB	561991	12vFrWUpRelay	3.3
R20	Evap.Cmpt.	563332	WaterPumpRelay	17.1
R21	RJB	563269	EmergencyCutoutRelay	3.2
R22	FuseBoxFJB	563269	EngineBrakeRelay	12.1
R23	RHConsole	563332	LowerWiperRelay	34.1
R24	FJB	563332	UpperWiperRelay	34.1
R25	RJBVECR	563332	Ecmlgn	5.1
R26	Evap.Cmpt.	563332	Pre-HeatRelay	18.2

## RELAYS

No	Location	Part no	Function	Page
R1	RJB	562364	MasterRelay	3.1
R2	RJB	563332	Transmission ZF	15.2
R3	RJB	563348	12vIgn&AccRelay	3.1
R4	FJB	563332	Pre-heater cut-off	38.1
R5	RJB	563332	ChargerRelay	17.1
R6	FuseBoxRJB	563332	DirectLightsRelay	24.1
R8	FuseBoxRJB	563269	ServiceBrakeRelay	12.1
R9	Evap.Cmpt.	563348	CondensorRelay2stSpeed	18.2
R10	Evap.Cmpt.	563348	CondensorRelay1stSpeed	18.2
R11	RJB VECR	563332	ZFIgn	5.1
R12	Evap.Cmpt.	563348	EvaporatorRelay	18.2
R13	FuseBoxRJB	563332	Ind.LightRelay	23.1
R14	RJB	561991	ReadingLampRelay	22.1
R15	FuseBoxRJB	563332	EmergencyLamps	20.1
R16	DashBoard	563332	AudibleFlasherRelay	26.1
R17	RJB	561991	12vRrWUpRelay	3.3
R18	FJB	561991	24vFrWUpRelay	3.3
R19	FJB	561991	12vFrWUpRelay	3.3
R20	Evap.Cmpt.	563332	WaterPumpRelay	17.1
R21	RJB	563269	EmergencyCutoutRelay	3.2
R22	FuseBoxFJB	563269	EngineBrakeRelay	12.1
R23	RHConsole	563332	LowerWiperRelay	34.1
R24	FJB	563332	UpperWiperRelay	34.1
R25	RJBVECR	563332	Ecmlgn	5.1
R26	Evap.Cmpt.	563332	Pre-HeatRelay	18.2

## RELAYS

No	Location	Part no	Function	Page
R1	RJB	562364	MasterRelay	3.1
R2	RJB	563332	Transmission ZF	15.2
R3	RJB	563348	12vIgn&AccRelay	3.1
R4	FJB	563332	Pre-heater cut-off	38.1
R5	RJB	563332	ChargerRelay	17.1
R6	FuseBoxRJB	563332	DirectLightsRelay	24.1
R8	FuseBoxRJB	563269	ServiceBrakeRelay	12.1
R9	Evap.Cmpt.	563348	CondensorRelay2stSpeed	18.2
R10	Evap.Cmpt.	563348	CondensorRelay1stSpeed	18.2
R11	RJB VECR	563332	ZFIgn	5.1
R12	Evap.Cmpt.	563348	EvaporatorRelay	18.2
R13	FuseBoxRJB	563332	Ind.LightRelay	23.1
R14	RJB	561991	ReadingLampRelay	22.1
R15	FuseBoxRJB	563332	EmergencyLamps	20.1
R16	DashBoard	563332	AudibleFlasherRelay	26.1
R17	RJB	561991	12vRrWUpRelay	3.3
R18	FJB	561991	24vFrWUpRelay	3.3
R19	FJB	561991	12vFrWUpRelay	3.3
R20	Evap.Cmpt.	563332	WaterPumpRelay	17.1
R21	RJB	563269	EmergencyCutoutRelay	3.2
R22	FuseBoxFJB	563269	EngineBrakeRelay	12.1
R23	RHConsole	563332	LowerWiperRelay	34.1
R24	FJB	563332	UpperWiperRelay	34.1
R25	RJBVECR	563332	Ecmlgn	5.1
R26	Evap.Cmpt.	563332	Pre-HeatRelay	18.2

# RELAYS LIST

No	Location	Part #	Function	Page
R1	RJB	562364	MasterRelay	3.1
R2	RJB	563332	TransmissionZF	15.2
R3	RJB	563348	12vIgn&AccRelay	3.1
R4		563332	Cut_Off_Preheater_Relay	38.1
R5	RJB	563332	ChargerRelay	17.1
R6	FuseBoxRJB	563332	DirectLightsRelay	24.1
R9	Evap_Cmpt_	563348	CondensorRelay2stSpeed	18.2
R10	Evap_Cmpt_	563348	CondensorRelay1stSpeed	18.2
R11	RJB_VECR	563332	ZFIgn	5.1
R12	Evap_Cmpt_	563348	EvaporatorRelay	18.2
R13	FuseBoxRJB	563332	Ind.LightRelay	23.1
R14	RJB	561991	ReadingLampRelay	22.1
R15	FuseBoxRJB	563332	EmergencyLamps	20.1
R16	DashBoard	563332	AudibleFlasherRelay	26.1
R17	RJB	561991	12vRrWUpRelay	3.3
R18	FJB	561991	24vFrWUpRelay	3.3
R19	FJB	561991	12vFrWUpRelay	3.3
R20	Evap_Cmpt_	563332	WaterPumpRelay	17.1
R21	RJB	563269	EmergencyCutoutRelay	3.2
R22		563269	*opt*	4.1
R23	RHConsole	563332	LowerWiperRelay	34.1
R24	FJB	563332	UpperWiperRelay	34.1
R25	RJB_VECR	563332	Ecmlgn	5.1
R26	Evap_Cmpt_	563332	Pre-HeatRelay	18.2
R35			*opt*	40.1
R36			*opt*	40.1
R37			FrigoRelay	40.1
R72		*opt*	InverterRelay	40.1
R_AMPLI		561991	*opt*	35
R_Flip		563337	Flip_Down_Screen	35
R_Tv		563337	*opt*	35
r1_33				28.1
R-12VISS		563337	*opt*	35
r2_33				28.1
r3_33				28.1
r4_33				28.1

# RELAYS LIST

No	Location	Part #	Function	Page
R1	RJB	562364	MasterRelay	3.1
R2	RJB	563332	TransmissionZF	15.2
R3	RJB	563348	12vIgn&AccRelay	3.1
R4		563332	Cut_Off_Preheater_Relay	38.1
R5	RJB	563332	ChargerRelay	17.1
R6	FuseBoxRJB	563332	DirectLightsRelay	24.1
R9	Evap_Cmpt_	563348	CondensorRelay2stSpeed	18.2
R10	Evap_Cmpt_	563348	CondensorRelay1stSpeed	18.2
R11	RJB_VECR	563332	ZFIgn	5.1
R12	Evap_Cmpt_	563348	EvaporatorRelay	18.2
R13	FuseBoxRJB	563332	Ind.LightRelay	23.1
R14	RJB	561991	ReadingLampRelay	22.1
R15	FuseBoxRJB	563332	EmergencyLamps	20.1
R16	DashBoard	563332	AudibleFlasherRelay	26.1
R17	RJB	561991	12vRrWUpRelay	3.3
R18	FJB	561991	24vFrWUpRelay	3.3
R19	FJB	561991	12vFrWUpRelay	3.3
R20	Evap_Cmpt_	563332	WaterPumpRelay	17.1
R21	RJB	563269	EmergencyCutoutRelay	3.2
R22		563269	*opt*	4.1
R23	RHConsole	563332	LowerWiperRelay	34.1
R24	FJB	563332	UpperWiperRelay	34.1
R25	RJB_VECR	563332	Ecmlgn	5.1
R26	Evap_Cmpt_	563332	Pre-HeatRelay	18.2
R35			*opt*	40.1
R36			*opt*	40.1
R37			FrigoRelay	40.1
R72		*opt*	InverterRelay	40.1
R_AMPLI	Parcel_Rack	561991	*opt*	35.0
R_Flip	Parcel_Rack	563337	Flip_Down_Screen	35.0
R_Tv	Parcel_Rack	563337	*opt*	35.0
R-12VISS	Parcel_Rack	563337	*opt*	35.0

# RELAYS LIST

No	Location	Part #	Function	Page
R1	RJB	562364	MasterRelay	3.1
R2	RJB	563332	TransmissionZF	15.2
R3	RJB	563348	12vIgn&AccRelay	3.1
R4		563332	Cut_Off_Preheater_Relay	38.1
R5	RJB	563332	ChargerRelay	17.1
R6	FuseBoxRJB	563332	DirectLightsRelay	24.1
R9	Evap_Cmpt_	563348	CondensorRelay2stSpeed	18.2
R10	Evap_Cmpt_	563348	CondensorRelay1stSpeed	18.2
R11	RJB_VECR	563332	ZFIgn	5.1
R12	Evap_Cmpt_	563348	EvaporatorRelay	18.2
R13	FuseBoxRJB	563332	Ind.LightRelay	23.1
R14	RJB	561991	ReadingLampRelay	22.1
R15	FuseBoxRJB	563332	EmergencyLamps	20.1
R16	DashBoard	563332	AudibleFlasherRelay	26.1
R17	RJB	561991	12vFrWUpRelay	3.3
R18	FJB	561991	24vFrWUpRelay	3.3
R19	FJB	561991	12vFrWUpRelay	3.3
R20	Evap_Cmpt_	563332	WaterPumpRelay	17.1
R21	RJB	563269	EmergencyCutoutRelay	3.2
R22		563269	*opt*	4.1
R23	RHConsole	563332	LowerWiperRelay	34.1
R24	FJB	563332	UpperWiperRelay	34.1
R25	RJB_VECR	563332	Ecmlgn	5.1
R26	Evap_Cmpt_	563332	Pre-HeatRelay	18.2
R27			Hostess_Gong	22.1
R35			*opt*	40.1
R36			*opt*	40.1
R37			FrigoRelay	40.1
R72		*opt*	InverterRelay	40.1
R_AMPLI		561991	*opt*	35
R_Flip		563337	Flip_Down_Screen	35
R_Tv		563337	*opt*	35
r1_33				28.1
R-12VISS		563337	*opt*	35
r2_33				28.1
r3_33				28.1
r4_33				28.1

# RELAYS LIST

No	Location	Part #	Function	Page	No	Location	Part #	Function	Page
R1	RJB	562364	MasterRelay	3.1	r3_33				28.1
R2	RJB	563332	TransmissionZF	15.2	r4_33				28.1
R3	RJB	563348	12vIgn&AccRelay	3.1	RZF1	RJB	563332	TransmissionZF	15.2
R4		563332	Cutoffpreheater	38.1					
R5	RJB	563332	ChargerRelay	17.1					
R6	FuseBoxRJB	563332	DirectLightsRelay	24.1					
R9	Evap_Cmpt_	563348	CondensorRelay2stSpeed	18.2					
R10	Evap_Cmpt_	563348	CondensorRelay1stSpeed	18.2					
R11	RJB_VECR	563332	ZFIgn	5.1					
R12	Evap_Cmpt_	563348	EvaporatorRelay	18.2					
R13	FuseBoxRJB	563332	Ind.LightRelay	23.1					
R14	RJB	561991	ReadingLampRelay	22.1					
R15	FuseBoxRJB	563332	EmergencyLamps	20.1					
R16	DashBoard	563332	AudibleFlasherRelay	26.1					
R17	RJB	561991	12vRrWUpRelay	3.3					
R18	FJB	561991	24vFrWUpRelay	3.3					
R19	FJB	561991	12vFrWUpRelay	3.3					
R20	Evap_Cmpt_	563332	WaterPumpRelay	17.1					
R21	RJB	563269	EmergencyCutoutRelay	3.2					
R22		563269	*opt*	4.1					
R23	RHConsole	563332	LowerWiperRelay	34.1					
R24	FJB	563332	UpperWiperRelay	34.1					
R25	RJB_VECR	563332	EcmIgn	5.1					
R26	Evap_Cmpt_	563332	Pre-HeatRelay	18.2					
R27			Hostess_Gong	22.1					
R29	RJB	563348	Preheater_Volvo	14.2					
R31	RJB	561991	12vRrEngineEcu	3.3					
R35			*opt*	40.1					
R36			*opt*	40.1					
R37			FrigoRelay	40.1					
R41			*opt*	41.1					
R42			*opt*	41.1					
R43			*opt*	41.1					
R44			*opt*	41.1					
R45			*opt*	41.1					
R72		*opt*	InverterRelay	40.1					
R73	RJB	563348	InverterRelay	40.1					
R_AMPLI		561991	*opt*	35.0					
R_Flip		563337	Flip_Down_Screen	35.0					
R_Tv		563337	*opt*	35.0					
r1_33				28.1					
R-12VISS		563337	*opt*	35.0					
r2_33				28.1					



# RELAYS LIST

No	Location	Part #	Function	Page	No	Location	Part #	Function	Page
R1	RJB	562364	MasterRelay	3,1	r3_33				28,1
R2	RJB	563332	TransmissionZF	15,2	r4_33				28,1
R3	RJB	563348	12vIgn&AccRelay	3,1	RL_Strobe				35,4
R4		563332	Cutoffpreheater	38,1	RR_Strobe				35,4
R5	RJB	563332	ChargerRelay	17,1	RS28		*opt*	*opt*	17,1
R6	FuseBoxRJB	563332	DirectLightsRelay	24,1	RZF1	RJB	563332	TransmissionZF	15,2
R10	Evap_Cmpt_	563348	CondensorPowerRelay	18,2					
R11	RJB_VECR	563332	ZFIgn	5,1					
R12	Evap_Cmpt_	563348	EvaporatorRelay	18,2					
R13	FuseBoxRJB	563332	Ind.LightRelay	23,1					
R14	RJB	561991	ReadingLampRelay	22,1					
R15	FuseBoxRJB	563332	EmergencyLamps	20,1					
R16	DashBoard	563332	AudibleFlasherRelay	26,1					
R17	RJB	561991	12vRrWUpRelay	3,3					
R18	FJB	561991	24vFrWUpRelay	3,3					
R19	FJB	561991	12vFrWUpRelay	3,3					
R20	Evap_Cmpt_	563332	WaterPumpRelay	17,1					
R21	RJB	563269	EmergencyCutoutRelay	3,2					
R22		563269	*opt*	4,1					
R23	RHConsole	563332	LowerWiperRelay	34,1					
R24	FJB	563332	UpperWiperRelay	34,1					
R25	RJB_VECR	563332	Ecmlgn	5,1					
R26	Evap_Cmpt_	563332	Pre-HeatRelay	18,2					
R27			Hostess_Gong	22,1					
R29	RJB	563348	Preheater_Volvo	14,2					
R31	RJB	561991	12vRrEngineEcu	3,3					
R35			*opt*	40,1					
R36			*opt*	40,1					
R37			FrigoRelay	40,1					
R41			*opt*	41,1					
R42			*opt*	41,1					
R43			*opt*	41,1					
R44			*opt*	41,1					
R45			*opt*	41,1					
R72		*opt*	InverterRelay	40,1					
R73	RJB	563348	InverterRelay	40,1					
R_AMPLI		561991	*opt*	35,0					
R_Flip		563337	Flip_Down_Screen	35,0					
R_Starter		*opt*	*opt*	3,2					
R_Tv		563337	*opt*	35,0					
r1_33				28,1					
R-12VISS		563337	*opt*	35,0					
r2_33				28,1					

# RELAYS LIST

No	Location	Part #	Function	Page	No	Location	Part #	Function	Page
R1	RJB	562364	MasterRelay	3.1	r2_33				28.1
R2	RJB	563332	TransmissionZF	15.2	r3_33				28.1
R3	RJB	563348	12vIgn&AccRelay	3.1	r4_33				28.1
R4		563332	Cutoffpreheater	38.1	RL_Strobe				35.4
R5	RJB	563332	ChargerRelay	17.1	RR_Strobe				35.4
R6	FuseBoxRJB	563332	DirectLightsRelay	24.1	RS28		*opt*	*opt*	17.1
R10	Evap_Cmpt_	563348	CondensorPowerRelay	18.2	RZF1	RJB	563332	TransmissionZF	15.2
R11	RJB_VECR	563332	ZFIgn	5.1					
R12	Evap_Cmpt_	563348	EvaporatorRelay	18.2					
R13	FuseBoxRJB	563332	Ind.LightRelay	23.1					
R14	RJB	561991	ReadingLampRelay	22.1					
R15	FuseBoxRJB	563332	EmergencyLamps	20.1					
R16	DashBoard	563332	AudibleFlasherRelay	26.1					
R17	RJB	561991	12vRrWUpRelay	3.3					
R18	FJB	561991	24vFrWUpRelay	3.3					
R19	FJB	561991	12vFrWUpRelay	3.3					
R20	Evap_Cmpt_	563332	WaterPumpRelay	17.1					
R21	RJB	563269	EmergencyCutoutRelay	3.2					
R22		563269	*opt*	4.1					
R23	RHConsole	563332	LowerWiperRelay	34.1					
R24	FJB	563332	UpperWiperRelay	34.1					
R25	RJB_VECR	563332	Ecmlgn	5.1					
R26	Evap_Cmpt_	563332	Pre-HeatRelay	18.2					
R27			Hostess_Gong	22.1					
R29	RJB	563348	Preheater_Volvo	14.2					
R31	RJB	561991	12vRrEngineEcu	3.3					
R32		563332	*opt*	4.1					
R35			*opt*	40.1					
R36			*opt*	40.1					
R37			FrigoRelay	40.1					
R41			*opt*	41.1					
R42			*opt*	41.1					
R43			*opt*	41.1					
R44			*opt*	41.1					
R45			*opt*	41.1					
R72		*opt*	InverterRelay	40.1					
R73	RJB	563348	InverterRelay	40.1					
R_AMPLI		561991	*opt*	35.0					
R_Flip		563337	Flip_Down_Screen	35.0					
R_Starter		*opt*	*opt*	3.2					
R_Tv		563337	*opt*	35.0					
r1_33				28.1					
R-12VISS		563337	*opt*	35.0					

# RELAYS LIST

No	Location	Part #	Function	Page	No	Location	Part #	Function	Page
R1	RJB	562364	MasterRelay	3.1	R_Tv		563337	*opt*	35.0
R2	RJB	563332	TransmissionZF	15.2	r1_33				28.1
R3	RJB	563348	12vIgn&AccRelay	3.1	R-12VISS		563337	*opt*	35.0
R4		563332	Cutoffpreheater	38.1	r2_33				28.1
R5	RJB	563332	ChargerRelay	17.1	r3_33				28.1
R6	FuseBoxRJB	563332	DirectLightsRelay	24.1	r4_33				28.1
R10	Evap_Cmpt_	563348	CondensorPowerRelay	18.2	RL_Strobe				35.4
R11	RJB_VECR	563332	ZFIgn	5.1	RR_Strobe				35.4
R12	Evap_Cmpt_	563348	EvaporatorRelay	18.2	RZF1	RJB	563332	TransmissionZF	15.2
R13	FuseBoxRJB	563332	Ind.LightRelay	23.1					
R14	RJB	561991	ReadingLampRelay	22.1					
R15	FuseBoxRJB	563332	EmergencyLamps	20.1					
R16	DashBoard	563332	AudibleFlasherRelay	26.1					
R17	RJB	561991	12vRrWUpRelay	3.3					
R18	FJB	561991	24vFrWUpRelay	3.3					
R19	FJB	561991	12vFrWUpRelay	3.3					
R20	Evap_Cmpt_	563332	WaterPumpRelay	17.1					
R21	RJB	563269	EmergencyCutoutRelay	3.2					
R22		563269	*opt*	4.1					
R23	RHConsole	563332	LowerWiperRelay	34.1					
R24	FJB	563332	UpperWiperRelay	34.1					
R25	RJB_VECR	563332	Ecmlgn	5.1					
R26	Evap_Cmpt_	563332	Pre-HeatRelay	18.2					
R27			Hostess_Gong	22.1					
R29	RJB	563348	Preheater_Volvo	14.2					
R31	RJB	561991	12vRrEngineEcu	3.3					
R32		563332	*opt*	4.1					
R35			*opt*	40.1					
R36			*opt*	40.1					
R37			FrigoRelay	40.1					
R41			*opt*	41.1					
R42			*opt*	41.1					
R43			*opt*	41.1					
R44			*opt*	41.1					
R45			*opt*	41.1					
R46	RJB	563348	UreaHosesHeaters	14.6					
R72		*opt*	InverterRelay	40.1					
R73	RJB	563348	InverterRelay	40.1					
R74		563332	*opt*	15.3					
R_AMPLI		561991	*opt*	35.0					
R_Flip		563337	*opt*	35.0					
R_SAT		563337	*opt*	35.6					
R_Starter		*oot*	*oot*	3.2					

# RELAYS LIST

No	Location	Part #	Function	Page	No	Location	Part #	Function	Page
R1	RJB	562364	MasterRelay	3.1	R-12VISS		563337	*opt*	35.5
R2	RJB	563332	TransmissionZF	15.2	r2_33				28.1
R3	RJB	563348	12vIgn&AccRelay	3.1	r3_33				28.1
R4		563332	Cutoffpreheater	38.1	r4_33				28.1
R5	RJB	563332	ChargerRelay	17.1	RL_Strobe				35.4
R6	FuseBoxRJB	563332	DirectLightsRelay	24.1	Rooter2_84	*opt*	*opt*	*opt*	35.4
R08	*opt*	*opt*	*opt*	14.5	Rooter3_84	*opt*	*opt*	*opt*	35.4
R10	Evap_Cmpt_	563348	CondensorPowerRelay	18.2	Rooter4_84	*opt*	*opt*	*opt*	35.4
R11	RJB_VECR	563332	ZFIgn	5.1	RR_Strobe				35.4
R12	Evap_Cmpt_	563348	EvaporatorRelay	18.2	RZF1	RJB	563332	TransmissionZF	15.2
R13	FuseBoxRJB	563332	Ind.LightRelay	23.1					
R14	RJB	561991	ReadingLampRelay	22.1					
R15	FuseBoxRJB	563332	EmergencyLamps	20.1					
R16	DashBoard	563332	AudibleFlasherRelay	26.1					
R17	RJB	561991	12vRrWUpRelay	3.3					
R18	FJB	561991	24vFrWUpRelay	3.3					
R19	FJB	561991	12vFrWUpRelay	3.3					
R20	Evap_Cmpt_	563332	WaterPumpRelay	17.1					
R21	RJB	563269	EmergencyCutoutRelay	3.2					
R22		563269	*opt*	4.1					
R23	RHConsole	563332	LowerWiperRelay	34.1					
R24	FJB	563332	UpperWiperRelay	34.1					
R25	RJB_VECR	563332	Ecmlgn	5.1					
R26	Evap_Cmpt_	563332	Pre-HeatRelay	18.2					
R27			Hostess_Gong	22.1					
R29	RJB	563348	Preheater_Volvo	14.2					
R31	RJB	561991	12vRrEngineEcu	3.3					
R32		563332	*opt*	4.1					
R35			*opt*	40.1					
R36			*opt*	40.1					
R37			FrigoRelay	40.1					
R41			*opt*	41.1					
R42			*opt*	41.1					
R43			*opt*	41.1					
R44			*opt*	41.1					
R45			*opt*	41.1					
R72		*opt*	InverterRelay	40.1					
R73	RJB	563348	InverterRelay	40.1					
R74		563332	*opt*	15.3					
R_24WupSS		563337	*opt*	35.6					
R_Starter		*opt*	*opt*	3.2					
R_Tv		563337	*opt*	35.5					
r1_33				28.1					

# FUSES

No	Location	PartNo	Function	Rating	Page						
F1	FuseBoxFJB	563279	CecmPower	3amp	4.1	F50	FuseBoxRJB	563284	EnginePre-Heat	15amp	5.1
F2	FuseBoxFJB	563279	FrontStartMainSwitch	3amp	4.1	F51	FuseBoxRJB	563153	EnginePre-Heat	25Amp	5.1
F3	FuseBoxFJB	563279	EnginePre-HeatH.W.+DrvLiq.Vlv	3amp	4.1	F52	FuseBoxRJB	563284	SpareFuse	15amp	5.1
F4	FuseBoxFJB	563279	WirelessMicrophone	3amp	4.1	F53	FuseBoxRJB	563284	PwrMuxA54	15amp	5.1
F5	FuseBoxFJB	563165	24vtoWUp	30amp	4.1	F54	FuseBoxRJB	563284	Customer	15amp	5.1
F6	FuseBoxFJB	563005	Customer24VD	7.5amp	4.1	F55	FuseBoxRJB	563283	EmergencyLts	10amp	5.1
F7	FuseBoxFJB	563279	Abs+PreHeatController	3amp	4.1	F56	FuseBoxRJB	563283	IndirectLightingLH	10amp	5.1
F8	FuseBoxFJB	563279	AirHorn	3amp	4.1	F57	FuseBoxRJB	563283	IndirectLightingRH	10amp	5.1
F9	FuseBoxFJB	563284	SpareFuse	15amp	4.1	F58	FuseBoxRJB	563283	DirectLightingLH	10amp	5.1
F10	FuseBoxFJB	563279	SpareFuse	3amp	4.1	F59	FuseBoxRJB	563283	DirectLightingRH	10amp	5.1
F11	FuseBoxFJB	563279	SunVisor	3amp	4.1	F60	FuseBoxRJB	563283	ReadingLampRH	10amp	5.1
F12	FuseBoxFJB	563282	PwrMuxModule	20amp	4.1	F61	FuseBoxRJB	563283	ReadingLampLH	10amp	5.1
F13	FuseBoxFJB	563282	PwrMuxModule	20amp	4.1	F62	FuseBoxRJB	563283	LavatoryNightLight	10amp	5.1
F14	FuseBoxFJB	563284	Customer	15amp	4.1	F63	FuseBoxRJB	563283	EnginePre-Heat	10amp	5.1
F15	FuseBoxFJB	563004	*opt*	2Amp	4.1	F64	FuseBoxRJB	563283	Spare	10amp	5.1
F16	FuseBoxFJB	563153	DefrosterUnit	25Amp	4.1	F65	FuseBoxRJB	563165	PwrMuxModuleRJB	30amp	5.1
F17	FuseBoxFJB	563280	DestinationSign	5Amp	4.1	F66	FuseBoxRJB	563279	RadiatorFanClutch	3amp	5.1
F18	FuseBoxFJB	563284	UpperWiper	15amp	4.1	F67	FuseBoxRJB	563153	PwrMuxA54	25Amp	5.1
F19	FuseBoxFJB	563279	Prodriver	3amp	4.1	F68	FuseBoxRJB	563153	PwmMuxA54	25Amp	5.1
F20	FuseBoxFJB	563279	WitnessRedLed	3amp	4.1	F69	FuseBoxRJB	563005	HatRackLightingLHandRH	7.5amp	5.1
F21	FuseBoxFJB	563282	PwrMuxA44	20amp	4.1	F70	FuseBoxRJB	563005	Customer24VI	7.5amp	5.1
F22	FuseBoxFJB	563279	SteeringCtrl	3amp	4.	F71	FuseBoxRJB	563284	SpareFuse	15amp	5.1
F23	FuseBoxFJB	563284	ABS	15amp	4.1	F72	FuseBoxRJB	563153	PwrMuxA50	25Amp	5.1
F24	FuseBoxFJB	563005	Mirror	7.5amp	4.1	F73	FuseBoxRJB	563282	SpareFuse	20amp	5.1
F25	FuseBoxFJB	563280	BackupCamera	5Amp	4.1	F74	FuseBoxRJB	563283	EcuEngineIgnition	10amp	5.1
F26	FuseBoxFJB	563279	SpareFuse	3amp	4.1	F75	FuseBoxRJB	563283	EcuTransmissionIgn	10amp	5.1
F27	FuseBoxFJB	563284	Customer	15amp	4.1	F76	FuseBoxRJB	563283	Customer	10amp	5.1
F28	FuseBoxFJB	563282	DriverWindow	20amp	4.1	F77	FuseBoxRJB	563283	EcuTransmissionWakeUp	10amp	5.1
F29	FuseBoxFJB	563279	ClusterandDDDR	3amp	4.1	F78	FuseBoxRJB	563284	EcuEngineWakeUp	15amp	5.1
F30	FuseBoxFJB	563284	PwrOutletandCigarLighter	15amp	4.1	F79	FuseBoxRJB	563284	EcuEngineWakeUp	15amp	5.1
F31	FuseBoxFJB	563279	KeylessModule	3amp	4.1	F80	FuseBoxRJB	563284	PwrMuxA51	15amp	5.1
F32	FuseBoxFJB	563282	SpareFuse	20amp	4.1	F81	FuseBoxRJB	563004	PwrOfRearSwitchBox	2Amp	5.1
F33	FuseBoxFJB	563165	12VDtoWakeUp	30amp	4.1	F82	FuseBoxFJB	563284	LowerWiper	15amp	4.1
F34	FuseBoxFJB	563165	12VDtoWakeUp	30amp	4.1	F83	FuseBoxFJB	563005	SoundSystem	7.5amp	4.1
F35	FuseBoxFJB	563283	12vPwrOutlet	10amp	4.1	F84	FuseBoxFJB	563284	Customer	15amp	4.1
F36	FuseBoxFJB	563279	PwrHvacandTTLtModule	3amp	4.1	F85	FuseBoxRJB	563283	SpareFuse	10amp	5.1
F37	FuseBoxFJB	563283	SpareFuse	10amp	4.1	F86	FuseBoxRJB	563283	Elect. Air Dryer	10amp	5.1
F38	FuseBoxFJB	563283	SpareFuse	10amp	4.1	F87	FuseBoxRJB	563283	SpareFuse	10amp	5.1
F39	FuseBoxFJB	563283	SpareFuse	10amp	4.1	F88	FuseBoxRJB	563283	SpareFuse	10amp	5.1
F40	FuseBoxFJB	563283	SpareFuse	10amp	4.1	F89	FuseBoxRJB	563284	SpareFuse	15amp	5.1
F41	FuseBoxFJB	563283	SpareFuse	10amp	4.1	F90	EngineCmpt.	560893	StarterSensorFuse		3.2
F42	Dash	560893	MemoryFuse	7amp	35.0						
F43	Evap.Cmpt.	560893	To Pre-Heater	3amp	18.2						
F44	FJB	560599	FuseDestinationSign	5amp	3.3						

# FUSES

No	Location	Part #	Function	Rating	Page
F1	FuseBoxFJB	563279	CecmPower	3amp	4.1
F2	FuseBoxFJB	563279	FrontStartMainSwitch	3amp	4.1
F3	FuseBoxFJB	563279	EnginePre-HeatH.W.+DrvLiq.Vlv	3amp	4.1
F4	FuseBoxFJB	563279	WirelessMicrophone	3amp	4.1
F5	FuseBoxFJB	563165	24vtoWUp	30amp	4.1
F6	FuseBoxFJB	563005	Customer24VD	7.5amp	4.1
F7	FuseBoxFJB	563279	Abs+PreHeatController	3amp	4.1
F8	FuseBoxFJB	563279	AirHorn	3amp	4.1
F9	FuseBoxFJB	563284	SpareFuse	15amp	4.1
F10	FuseBoxFJB	563279	SpareFuse	3amp	4.1
F11	FuseBoxFJB	563279	SunVisor	3amp	4.1
F12	FuseBoxFJB	563282	PwrMuxModule	20amp	4.1
F13	FuseBoxFJB	563282	PwrMuxModule	20amp	4.1
F14	FuseBoxFJB	563284	Customer	15amp	4.1
F15	FuseBoxFJB	563004	*opt*	2Amp	4.1
F16	FuseBoxFJB	563153	DefrosterUnit	25Amp	4.1
F17	FuseBoxFJB	563280	DestinationSign	5Amp	4.1
F18	FuseBoxFJB	563284	UpperWiper	15amp	4.1
F19	FuseBoxFJB	563279	Prodriver	3amp	4.1
F20	FuseBoxFJB	563005	*opt*	7.5amp	4.1
F21	FuseBoxFJB	563282	PwrMuxA44	20amp	4.1
F22	FuseBoxFJB	563279	SteeringCtrl	3amp	4.1
F23	FuseBoxFJB	563284	ABS	15amp	4.1
F24	FuseBoxFJB	563005	Mirror	7.5amp	4.1
F25	FuseBoxFJB	563280	BackupCamera	5Amp	4.1
F26	FuseBoxFJB	563279	SpareFuse	3amp	4.1
F27	FuseBoxFJB	563284	Customer	15amp	4.1
F28	FuseBoxFJB	563282	DriverWindow	20amp	4.1
F29	FuseBoxFJB	563279	ClusterandDDDR	3amp	4.1
F30	FuseBoxFJB	563284	PwrOutletandCigarLighter	15amp	4.1
F31	FuseBoxFJB	563279	KeylessModule	3amp	4.1
F32	FuseBoxFJB	563282	SpareFuse	20amp	4.1
F33	FuseBoxFJB	563165	12VDtoWakeUp	30amp	4.1
F34	FuseBoxFJB	563165	12VDtoWakeUp	30amp	4.1
F35	FuseBoxFJB	563283	12vPwrOutlet	10amp	4.1
F36	FuseBoxFJB	563279	PwrHvacandTTItModule	3amp	4.1
F37	FuseBoxFJB	563283	SpareFuse	10amp	4.1
F38	FuseBoxFJB	563283	SpareFuse	10amp	4.1
F39	FuseBoxFJB	563283	SpareFuse	10amp	4.1
F40	FuseBoxFJB	563283	SpareFuse	10amp	4.1

# FUSES

No	Location	Part #	Function	Rating	Page
F41	FuseBoxFJB	563283	SpareFuse	10amp	4.1
F42	Parcel_Rack_LH_1st_Cmpt_	562407	*opt*	10 amp	35.0
F43	Evap_Cmpt_	560893	ToPre-Heater		18.2
F44		560599	FuseDestinationSign		3.3
F45		562604	FireProtectionSyst.		3.3
F46	Parcel_Rack_LH_1st_Cmpt_	562396	Sound_System	30A	35.0
F50	FuseBoxRJB	563284	EnginePre-Heat	15amp	5.1
F51	FuseBoxRJB	563153	EnginePre-Heat	25Amp	5.1
F52	FuseBoxRJB	563284	SpareFuse	15amp	5.1
F53	FuseBoxRJB	563284	PwrMuxA54	15amp	5.1
F54	FuseBoxRJB	563284	Customer	15amp	5.1
F55	FuseBoxRJB	563283	EmergencyLts	10amp	5.1
F56	FuseBoxRJB	563283	IndirectLightingLH	10amp	5.1
F57	FuseBoxRJB	563283	IndirectLightingRH	10amp	5.1
F58	FuseBoxRJB	563283	DirectLightingLH	10amp	5.1
F59	FuseBoxRJB	563283	DirectLightingRH	10amp	5.1
F60	FuseBoxRJB	563283	ReadingLampRH	10amp	5.1
F61	FuseBoxRJB	563283	ReadingLampLH	10amp	5.1
F62	FuseBoxRJB	563283	LavatoryNightLight	10amp	5.1
F63	FuseBoxRJB	563283	EnginePre-Heat	10amp	5.1
F64	FuseBoxRJB	563283	Spare	10amp	5.1
F65	FuseBoxRJB	563165	PwrMuxModuleRJB	30amp	5.1
F66	FuseBoxRJB	563279	RadiatorFanClutch	3amp	5.1
F67	FuseBoxRJB	563153	PwrMuxA54	25Amp	5.1
F68	FuseBoxRJB	563153	PwmMuxA54	25Amp	5.1
F69	FuseBoxRJB	563005	HatRackLightingLHandRH	7.5amp	5.1
F70	FuseBoxRJB	563005	Customer24VI	7.5amp	5.1
F71	FuseBoxRJB	563284	SpareFuse	15amp	5.1
F72	FuseBoxRJB	563153	PwrMuxA50	25Amp	5.1
F73	FuseBoxRJB	563282	SpareFuse	20amp	5.1
F74	FuseBoxRJB	563283	EcuEngineIgnition	10amp	5.1
F75	FuseBoxRJB	563283	EcuTransmissionIgn	10amp	5.1
F76	FuseBoxRJB	563283	Customer	10amp	5.1
F77	FuseBoxRJB	563283	EcuTransmissionWakeUp	10amp	5.1
F78	FuseBoxRJB	563284	EcuEngineWakeUp	15amp	5.1
F79	FuseBoxRJB	563284	EcuEngineWakeUp	15amp	5.1
F80	FuseBoxRJB	563284	PwrMuxA51	15amp	5.1
F81	FuseBoxRJB	563004	PwrOfRearSwitchBox	2Amp	5.1
F82	FuseBoxFJB	563284	LowerWiper	15amp	4.1
F83	FuseBoxFJB	563005	Spare	7.5amp	4.1

# FUSES

No	Location	Part #	Function	Rating	Page
F84	FuseBoxFJB	563284	Customer	15amp	4.1
F85	FuseBoxRJB	563283	SpareFuse	10amp	5.1
F86	FuseBoxRJB	563283	SpareFuse	10amp	5.1
F87	FuseBoxRJB	563283	SpareFuse	10amp	5.1
F88	FuseBoxRJB	563283	SpareFuse	10amp	5.1
F89	FuseBoxRJB	563284	SpareFuse	15amp	5.1
F91	FuseBoxRJB	563153	E_RideRearPwr	25Amp	5.1
F92	Galley	563005	Galley		40.1
F93	Galley	563005	Galley		40.1
F94	Galley	562608	Galley		40.1
F96	Parcel_Rack_LH_1st_Cmpt_	562605	Sound_System	20A	35.0
F97	Parcel_Rack_LH_1st_Cmpt_	562407	*opt*	10 amp	35.0
F98	Parcel_Rack_LH_1st_Cmpt_	562407	Sound_System	10 amp	35.0
F99	Parcel_Rack_LH_1st_Cmpt_	562407	Sound_System	10 amp	35.0
F100	Parcel_Rack_LH_1st_Cmpt_	562407	*opt*	10 amp	35.0
F101	Parcel_Rack_LH_1st_Cmpt_	562407	Sound_System	10 amp	35.0
FUSE_BOX_1	Parcel_Rack_LH_1st_Cmpt_	562610	Fuse_Box		35.0
FUSE_BOX_2	Parcel_Rack_LH_1st_Cmpt_	562610	Fuse_Box		35.0



# FUSES LIST

No	Location	Part #	Function	Rating	Page
F1	FuseBoxFJB	563279	CecmPower	3amp	4.1
F2	FuseBoxFJB	563279	FrontStartMainSwitch	3amp	4.1
F3	FuseBoxFJB	563279	EnginePre-HeatH.W.+DrvLiq.Vlv	3amp	4.1
F4	FuseBoxFJB	563280	*opt*	5Amp	4.1
F5	FuseBoxFJB	563165	24vtoWUp	30amp	4.1
F6	FuseBoxFJB	563005	Customer24VD	7.5amp	4.1
F7	FuseBoxFJB	563279	Abs+PreHeatController	3amp	4.1
F8	FuseBoxFJB	563279	AirHorn	3amp	4.1
F9	FuseBoxFJB	563284	SpareFuse	15amp	4.1
F10	FuseBoxFJB	563279	SpareFuse	3amp	4.1
F11	FuseBoxFJB	563279	SunVisor	3amp	4.1
F12	FuseBoxFJB	563282	PwrMuxModule	20amp	4.1
F13	FuseBoxFJB	563282	PwrMuxModule	20amp	4.1
F14	FuseBoxFJB	563284	Customer	15amp	4.1
F15	FuseBoxFJB	563004	*opt*	2Amp	4.1
F16	FuseBoxFJB	563153	DefrosterUnit	25Amp	4.1
F17	FuseBoxFJB	563280	DestinationSign	5Amp	4.1
F18	FuseBoxFJB	563284	UpperWiper	15amp	4.1
F19	FuseBoxFJB	563279	Prodriver	3amp	4.1
F20	FuseBoxFJB	563005	*opt*	7.5amp	4.1
F21	FuseBoxFJB	563282	PwrMuxA44	20amp	4.1
F22	FuseBoxFJB	563279	SteeringCtrl	3amp	4.1
F23	FuseBoxFJB	563165	ABS	30amp	4.1
F24	FuseBoxFJB	563005	Mirror	7.5amp	4.1
F25	FuseBoxFJB	563280	BackupCamera	5Amp	4.1
F26	FuseBoxFJB	563279	SpareFuse	3amp	4.1
F27	FuseBoxFJB	563284	Customer	15amp	4.1
F28	FuseBoxFJB	563282	DriverWindow	20amp	4.1
F29	FuseBoxFJB	563279	ClusterandDDDR	3amp	4.1
F30	FuseBoxFJB	563284	PwrOutletandCigarLighter	15amp	4.1
F31	FuseBoxFJB	563279	KeylessModule	3amp	4.1
F32	FuseBoxFJB	563282	SpareFuse	20amp	4.1
F33	FuseBoxFJB	563165	12VDtoWakeUp	30amp	4.1
F34	FuseBoxFJB	563165	*opt*	30amp	4.1
F35	FuseBoxFJB	563283	12vPwrOutlet	10amp	4.1
F36	FuseBoxFJB	563279	PwrHvacandTTItModule	3amp	4.1
F37	FuseBoxFJB	563283	SpareFuse	10amp	4.1
F38	FuseBoxFJB	563283	SpareFuse	10amp	4.1
F39	FuseBoxFJB	563283	SpareFuse	10amp	4.1
F40	FuseBoxFJB	563283	SpareFuse	15amp	4.1
F41	FuseBoxFJB	563283	SpareFuse	10amp	4.1
F42	Parcel_Rack_LH_1st_Cmpt_	562407	*opt*	10Amp	35.0
F43	Evap Cmpt	560893	ToPre-Heater		18.2

# FUSES LIST

No	Location	Part #	Function	Rating	Page
F44		560599	FuseDestinationSign		3.3
F45		562604	FireProtectionSyst.		3.3
F46	Parcel_Rack_LH_1st_Cmpt_	562396	Sound_System	30Amp	35.0
F50	FuseBoxRJB	563284	EnginePre-Heat	15amp	5.1
F51	FuseBoxRJB	563153	EnginePre-Heat	25Amp	5.1
F52	FuseBoxRJB	563284	SpareFuse	15amp	5.1
F53	FuseBoxRJB	563284	PwrMuxA54	15amp	5.1
F54	FuseBoxRJB	563284	Customer	25amp	5.1
F55	FuseBoxRJB	563283	EmergencyLts	10amp	5.1
F56	FuseBoxRJB	563282	IndirectLightingLH	20amp	5.1
F57	FuseBoxRJB	563283	IndirectLightingRH	10amp	5.1
F58	FuseBoxRJB	563283	DirectLightingLH	20amp	5.1
F59	FuseBoxRJB	563283	DirectLightingRH	10amp	5.1
F60	FuseBoxRJB	563282	ReadingLampRH	20amp	5.1
F61	FuseBoxRJB	563282	ReadingLampLH	20amp	5.1
F62	FuseBoxRJB	563283	LavatoryNightLight	10amp	5.1
F63	FuseBoxRJB	563283	EnginePre-Heat	10amp	5.1
F64	FuseBoxRJB	563283	Spare	10amp	5.1
F65	FuseBoxRJB	563165	PwrMuxModuleRJB	30amp	5.1
F66	FuseBoxRJB	563279	RadiatorFanClutch	3amp	5.1
F67	FuseBoxRJB	563153	PwrMuxA54	25Amp	5.1
F68	FuseBoxRJB	563153	PwmMuxA54	25Amp	5.1
F69	FuseBoxRJB	563005	HatRackLightingLHandRH	3amp	5.1
F70	FuseBoxRJB	563005	Customer24Vl	7.5amp	5.1
F71	FuseBoxRJB	563284	SpareFuse	15amp	5.1
F72	FuseBoxRJB	563153	PwrMuxA50	25Amp	5.1
F73	FuseBoxRJB	563282	SpareFuse	20amp	5.1
F74	FuseBoxRJB	563283	EcuEngineIgnition	10amp	5.1
F75	FuseBoxRJB	563283	EcuTransmissionIgn	10amp	5.1
F76	FuseBoxRJB	563283	Customer	10amp	5.1
F77	FuseBoxRJB	563283	EcuTransmissionWakeUp	10amp	5.1
F78	FuseBoxRJB	563284	EcuEngineWakeUp	15amp	5.1
F79	FuseBoxRJB	563284	EcuEngineWakeUp	15amp	5.1
F80	FuseBoxRJB	563284	PwrMuxA51	15amp	5.1
F81	FuseBoxRJB	563004	PwrOfRearSwitchBox	2Amp	5.1
F83	FuseBoxFJB	563005	SoundSystem	10amp	4.1
F84	FuseBoxFJB	563284	Customer	15amp	4.1
F85	FuseBoxRJB	563283	SpareFuse	10amp	5.1
F86	FuseBoxRJB	563283	SpareFuse	10amp	5.1
F87	FuseBoxRJB	563283	SpareFuse	20amp	5.1
F88	FuseBoxRJB	563283	SpareFuse	20amp	5.1
F89	FuseBoxRJB	563284	SpareFuse	20amp	5.1
F90	FuseBoxRJB	563153	*oot*	25Amp	5.1



# FUSES LIST

No	Location	Part #	Function	Rating	Page
F1	FuseBoxFJB	563279	CecmPower	3amp	4,1
F2	FuseBoxFJB	563279	FrontStartMainSwitch	3amp	4,1
F3	FuseBoxFJB	563279	EnginePre-HeatH.W.+DrvLiq.Vlv	3amp	4,1
F4	FuseBoxFJB	563280	*opt*	5Amp	4,1
F5	FuseBoxFJB	563165	24vtoWUp	30amp	4,1
F6	FuseBoxFJB	563005	Customer24VD	7.5amp	4,1
F7	FuseBoxFJB	563279	Abs+PreHeatController	3amp	4,1
F8	FuseBoxFJB	563279	AirHorn	3amp	4,1
F9	FuseBoxFJB	563284	SpareFuse	15amp	4,1
F10	FuseBoxFJB	563279	SpareFuse	3amp	4,1
F11	FuseBoxFJB	563279	SunVisor	3amp	4,1
F12	FuseBoxFJB	563282	PwrMuxModule	20amp	4,1
F13	FuseBoxFJB	563282	PwrMuxModule	20amp	4,1
F14	FuseBoxFJB	563284	Customer	15amp	4,1
F15	FuseBoxFJB	563004	*opt*	2Amp	4,1
F16	FuseBoxFJB	563153	DefrosterUnit	25Amp	4,1
F17	FuseBoxFJB	563280	DestinationSign	5Amp	4,1
F18	FuseBoxFJB	563284	UpperWiper	15amp	4,1
F19	FuseBoxFJB	563279	Prodriver	3amp	4,1
F20	FuseBoxFJB	563005	*opt*	7.5amp	4,1
F21	FuseBoxFJB	563282	PwrMuxA44	20amp	4,1
F22	FuseBoxFJB	563279	SteeringCtrl	3amp	4,1
F23	FuseBoxFJB	563165	ABS	30amp	4,1
F24	FuseBoxFJB	563005	Mirror	7.5amp	4,1
F25	FuseBoxFJB	563280	BackupCamera	5Amp	4,1
F26	FuseBoxFJB	563279	SpareFuse	3amp	4,1
F27	FuseBoxFJB	563284	Customer	15amp	4,1
F28	FuseBoxFJB	563282	DriverWindow	20amp	4,1
F29	FuseBoxFJB	563279	ClusterandDDDR	3amp	4,1
F30	FuseBoxFJB	563284	PwrOutletandCigarLighter	15amp	4,1
F31	FuseBoxFJB	563279	KeylessModule	3amp	4,1
F32	FuseBoxFJB	563282	SpareFuse	20amp	4,1
F33	FuseBoxFJB	563165	12VDtoWakeUp	30amp	4,1
F34	FuseBoxFJB	563165	*opt*	30amp	4,1
F35	FuseBoxFJB	563283	12vPwrOutlet	10amp	4,1
F36	FuseBoxFJB	563279	PwrHvacandTTItModule	3amp	4,1
F37	FuseBoxFJB	563283	SpareFuse	10amp	4,1
F38	FuseBoxFJB	563283	SpareFuse	10amp	4,1
F39	FuseBoxFJB	563283	SpareFuse	10amp	4,1
F40	FuseBoxFJB	563283	SpareFuse	15amp	4,1
F41	FuseBoxFJB	563283	SpareFuse	10amp	4,1
F42	Parcel_Rack_LH_1st_Cmpt_	562407	*opt*	10Amp	35,0
F43	Evap_Cmpt	560893	ToPre-Heater		18,2

# FUSES LIST

No	Location	Part #	Function	Rating	Page
F44		560599	FuseDestinationSign		3,3
F45		562604	FireProtectionSyst.		3,3
F46	Parcel_Rack_LH_1st_Cmpt_	562396	Sound_System	30Amp	35,0
F50	FuseBoxRJB	563284	EnginePre-Heat	15amp	5,1
F51	FuseBoxRJB	563153	EnginePre-Heat	25Amp	5,1
F52	FuseBoxRJB	563284	SpareFuse	15amp	5,1
F53	FuseBoxRJB	563284	PwrMuxA54	15amp	5,1
F54	FuseBoxRJB	563284	Customer	25amp	5,1
F55	FuseBoxRJB	563283	EmergencyLts	10amp	5,1
F56	FuseBoxRJB	563282	IndirectLightingLH	20amp	5,1
F57	FuseBoxRJB	563283	IndirectLightingRH	10amp	5,1
F58	FuseBoxRJB	563283	DirectLightingLH	20amp	5,1
F59	FuseBoxRJB	563283	DirectLightingRH	10amp	5,1
F60	FuseBoxRJB	563282	ReadingLampRH	20amp	5,1
F61	FuseBoxRJB	563282	ReadingLampLH	20amp	5,1
F62	FuseBoxRJB	563283	LavatoryNightLight	10amp	5,1
F63	FuseBoxRJB	563283	EnginePre-Heat	10amp	5,1
F64	FuseBoxRJB	563283	Spare	10amp	5,1
F65	FuseBoxRJB	563165	PwrMuxModuleRJB	30amp	5,1
F66	FuseBoxRJB	563279	RadiatorFanClutch	3amp	5,1
F67	FuseBoxRJB	563153	PwrMuxA54	25Amp	5,1
F68	FuseBoxRJB	563153	PwmMuxA54	25Amp	5,1
F69	FuseBoxRJB	563005	HatRackLightingLHandRH	3amp	5,1
F70	FuseBoxRJB	563005	Customer24Vl	7.5amp	5,1
F71	FuseBoxRJB	563284	SpareFuse	15amp	5,1
F72	FuseBoxRJB	563153	PwrMuxA50	25Amp	5,1
F73	FuseBoxRJB	563282	SpareFuse	20amp	5,1
F74	FuseBoxRJB	563283	EcuEngineIgnition	10amp	5,1
F75	FuseBoxRJB	563283	EcuTransmissionIgn	10amp	5,1
F76	FuseBoxRJB	563283	Customer	10amp	5,1
F77	FuseBoxRJB	563283	EcuTransmissionWakeUp	10amp	5,1
F78	FuseBoxRJB	563284	EcuEngineWakeUp	15amp	5,1
F79	FuseBoxRJB	563284	EcuEngineWakeUp	15amp	5,1
F80	FuseBoxRJB	563284	PwrMuxA51	15amp	5,1
F81	FuseBoxRJB	563004	PwrOfRearSwitchBox	2Amp	5,1
F83	FuseBoxFJB	563005	SoundSystem	10amp	4,1
F84	FuseBoxFJB	563284	Customer	15amp	4,1
F85	FuseBoxRJB	563283	SpareFuse	10amp	5,1
F86	FuseBoxRJB	563283	SpareFuse	10amp	5,1
F87	FuseBoxRJB	563283	SpareFuse	20amp	5,1
F88	FuseBoxRJB	563283	SpareFuse	20amp	5,1
F89	FuseBoxRJB	563284	SpareFuse	20amp	5,1
F90	FuseBoxRJB	563153	*oot*	25Amp	5,1



# FUSES LIST

No	Location	Part #	Function	Rating	Page
F1	FuseBoxFJB	563279	CecmPower	3amp	4.1
F2	FuseBoxFJB	563279	FrontStartMainSwitch	3amp	4.1
F3	FuseBoxFJB	563279	EnginePre-HeatH.W.+DrvLiq.Vlv	3amp	4.1
F4	FuseBoxFJB	563280	*opt*	5Amp	4.1
F5	FuseBoxFJB	563165	24vtoWUp	30amp	4.1
F6	FuseBoxFJB	563005	Customer24VD	7.5amp	4.1
F7	FuseBoxFJB	563279	Abs+PreHeatController	3amp	4.1
F8	FuseBoxFJB	563279	AirHorn	3amp	4.1
F9	FuseBoxFJB	563284	SpareFuse	15amp	4.1
F10	FuseBoxFJB	563279	SpareFuse	3amp	4.1
F11	FuseBoxFJB	563279	SunVisor	3amp	4.1
F12	FuseBoxFJB	563282	PwrMuxModule	20amp	4.1
F13	FuseBoxFJB	563282	PwrMuxModule	20amp	4.1
F14	FuseBoxFJB	563284	Customer	15amp	4.1
F15	FuseBoxFJB	563004	*opt*	2Amp	4.1
F16	FuseBoxFJB	563153	DefrosterUnit	25Amp	4.1
F17	FuseBoxFJB	563280	DestinationSign	5Amp	4.1
F18	FuseBoxFJB	563284	UpperWiper	15amp	4.1
F19	FuseBoxFJB	563279	Prodriver	3amp	4.1
F20	FuseBoxFJB	563005	*opt*	7.5amp	4.1
F21	FuseBoxFJB	563282	PwrMuxA44	20amp	4.1
F22	FuseBoxFJB	563279	SteeringCtrl	3amp	4.1
F23	FuseBoxFJB	563165	ABS	30amp	4.1
F24	FuseBoxFJB	563005	Mirror	7.5amp	4.1
F25	FuseBoxFJB	563280	BackupCamera	5Amp	4.1
F26	FuseBoxFJB	563279	SpareFuse	3amp	4.1
F27	FuseBoxFJB	563284	Customer	15amp	4.1
F28	FuseBoxFJB	563282	DriverWindow	20amp	4.1
F29	FuseBoxFJB	563279	ClusterandDDDR	3amp	4.1
F30	FuseBoxFJB	563284	PwrOutletandCigarLighter	15amp	4.1
F31	FuseBoxFJB	563279	KeylessModule	3amp	4.1
F32	FuseBoxFJB	563282	SpareFuse	20amp	4.1
F33	FuseBoxFJB	563165	12VDtoWakeUp	30amp	4.1
F34	FuseBoxFJB	563165	*opt*	30amp	4.1
F35	FuseBoxFJB	563283	12vPwrOutlet	10amp	4.1
F36	FuseBoxFJB	563279	PwrHvacandTTItModule	3amp	4.1
F37	FuseBoxFJB	563283	SpareFuse	10amp	4.1
F38	FuseBoxFJB	563283	SpareFuse	10amp	4.1
F39	FuseBoxFJB	563283	SpareFuse	10amp	4.1
F40	FuseBoxFJB	563283	SpareFuse	15amp	4.1
F41	FuseBoxFJB	563283	SpareFuse	10amp	4.1
F42	Parcel_Rack_LH_1st_Cmpt_	562407	*opt*	10Amp	35.0
F43	Evap_Cmpt	560893	ToPre-Heater		18.2

# FUSES LIST

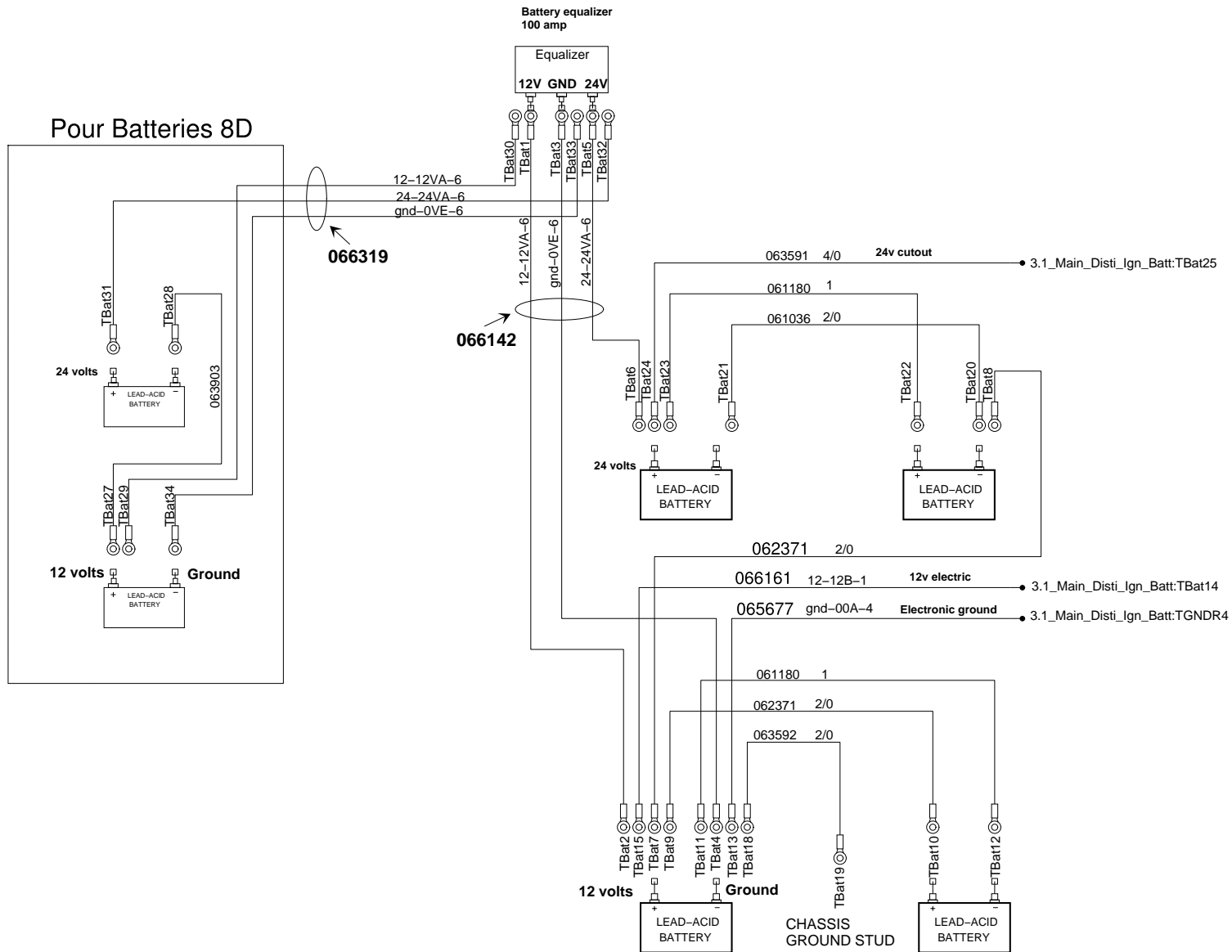
No	Location	Part #	Function	Rating	Page
F44		560599	FuseDestinationSign		3.3
F45		562604	FireProtectionSyst.		3.3
F46	Parcel_Rack_LH_1st_Cmpt_	562396	Sound_System	30Amp	35.0
F50	FuseBoxRJB	563284	EnginePre-Heat	15amp	5.1
F51	FuseBoxRJB	563153	EnginePre-Heat	25Amp	5.1
F52	FuseBoxRJB	563284	SpareFuse	15amp	5.1
F53	FuseBoxRJB	563284	PwrMuxA54	15amp	5.1
F54	FuseBoxRJB	563284	Customer	25amp	5.1
F55	FuseBoxRJB	563283	EmergencyLts	10amp	5.1
F56	FuseBoxRJB	563282	IndirectLightingLH	20amp	5.1
F57	FuseBoxRJB	563283	IndirectLightingRH	10amp	5.1
F58	FuseBoxRJB	563283	DirectLightingLH	20amp	5.1
F59	FuseBoxRJB	563283	DirectLightingRH	10amp	5.1
F60	FuseBoxRJB	563282	ReadingLampRH	20amp	5.1
F61	FuseBoxRJB	563282	ReadingLampLH	20amp	5.1
F62	FuseBoxRJB	563283	LavatoryNightLight	10amp	5.1
F63	FuseBoxRJB	563283	EnginePre-Heat	10amp	5.1
F64	FuseBoxRJB	563283	Spare	10amp	5.1
F65	FuseBoxRJB	563165	PwrMuxModuleRJB	30amp	5.1
F66	FuseBoxRJB	563279	RadiatorFanClutch	3amp	5.1
F67	FuseBoxRJB	563153	PwrMuxA54	25Amp	5.1
F68	FuseBoxRJB	563153	PwmMuxA54	25Amp	5.1
F69	FuseBoxRJB	563005	HatRackLightingLHandRH	3amp	5.1
F70	FuseBoxRJB	563005	Customer24Vl	7.5amp	5.1
F71	FuseBoxRJB	563284	SpareFuse	15amp	5.1
F72	FuseBoxRJB	563153	PwrMuxA50	25Amp	5.1
F73	FuseBoxRJB	563282	SpareFuse	20amp	5.1
F74	FuseBoxRJB	563283	EcuEngineIgnition	10amp	5.1
F75	FuseBoxRJB	563283	EcuTransmissionIgn	10amp	5.1
F76	FuseBoxRJB	563283	Customer	10amp	5.1
F77	FuseBoxRJB	563283	EcuTransmissionWakeUp	10amp	5.1
F78	FuseBoxRJB	563284	EcuEngineWakeUp	15amp	5.1
F79	FuseBoxRJB	563284	EcuEngineWakeUp	15amp	5.1
F80	FuseBoxRJB	563284	PwrMuxA51	15amp	5.1
F81	FuseBoxRJB	563004	PwrOfRearSwitchBox	2Amp	5.1
F83	FuseBoxFJB	563005	SoundSystem	10amp	4.1
F84	FuseBoxFJB	563284	Customer	15amp	4.1
F85	FuseBoxRJB	563283	SpareFuse	10amp	5.1
F86	FuseBoxRJB	563283	SpareFuse	10amp	5.1
F87	FuseBoxRJB	563283	SpareFuse	20amp	5.1
F88	FuseBoxRJB	563283	SpareFuse	20amp	5.1
F89	FuseBoxRJB	563284	SpareFuse	20amp	5.1
F90	FuseBoxRJB	563153	*oot*	25Amp	5.1





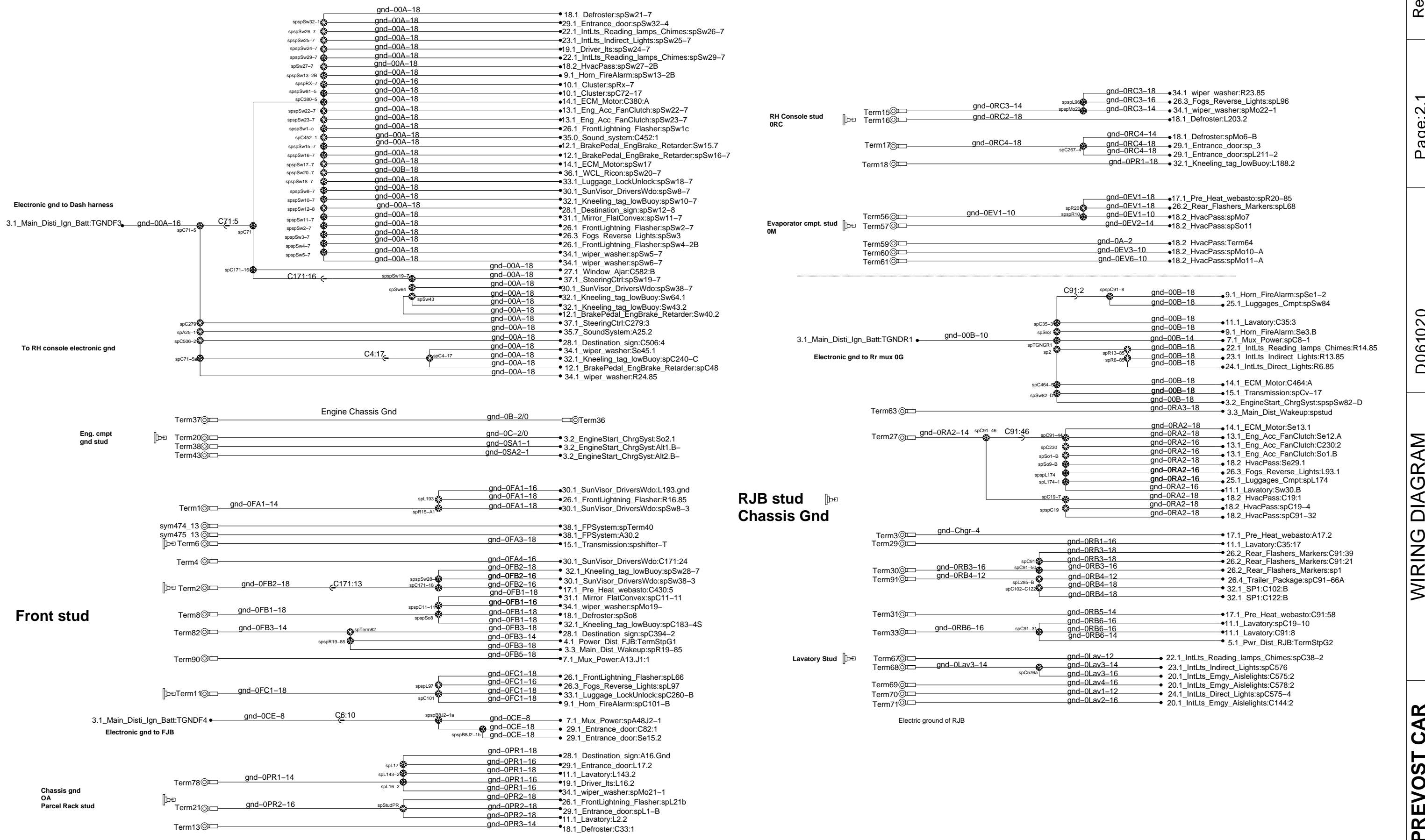


# BATTERIES STANDARD AND 8D





# Ground Distribution



Rev:5

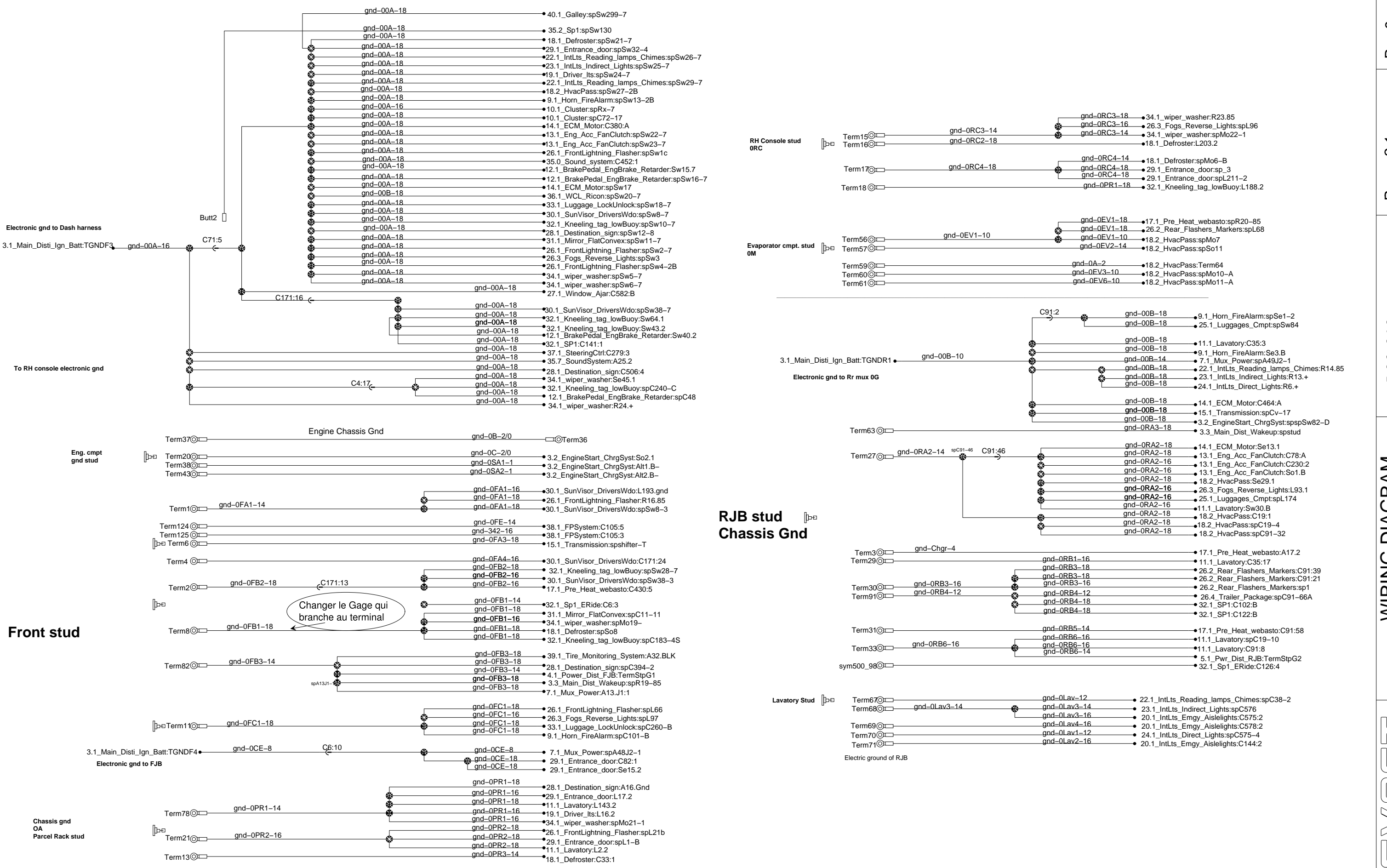
Page:2.1

D061020

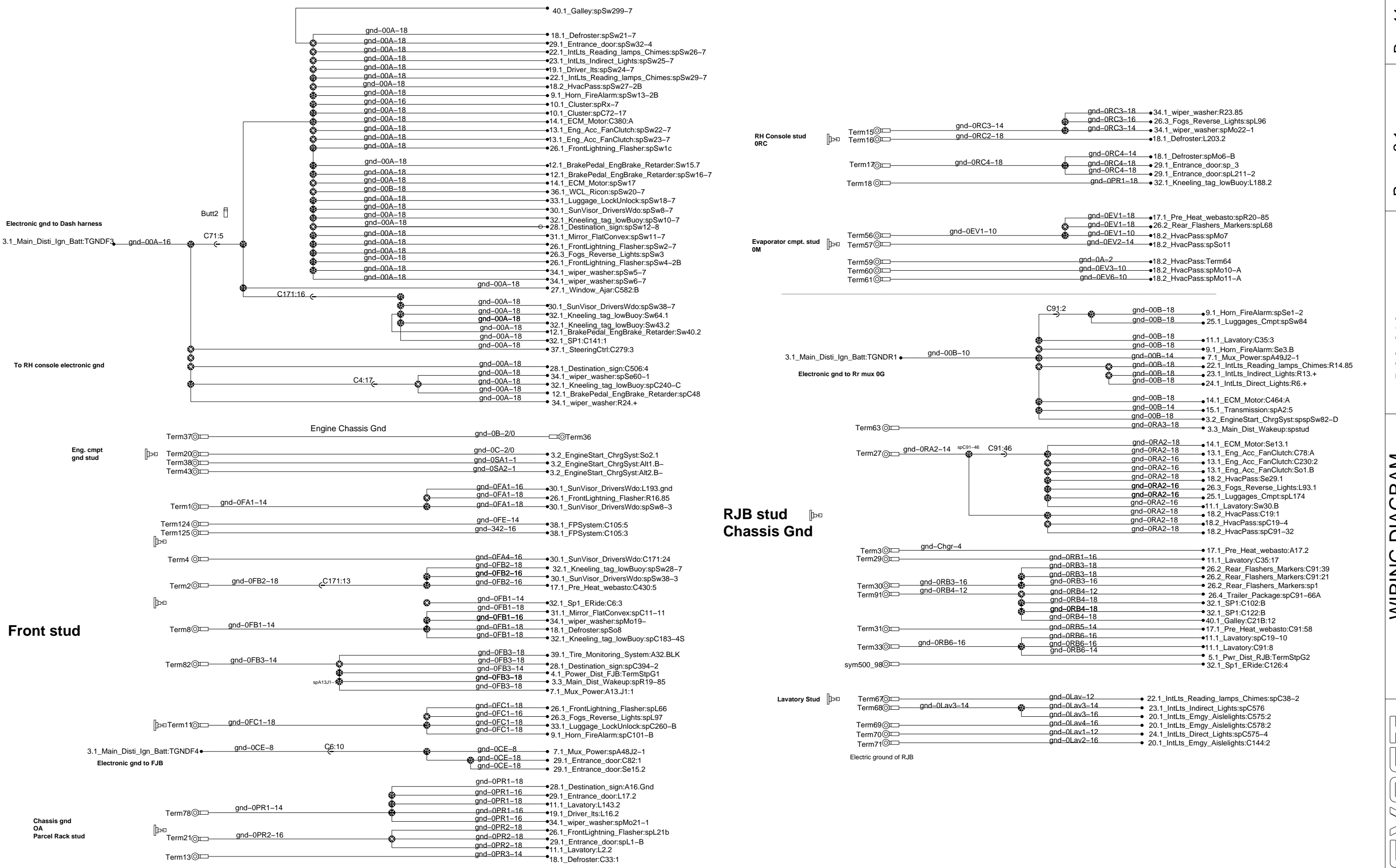
WIRING DIAGRAM

PREVOST CAR

# Ground Distribution



# Ground Distribution



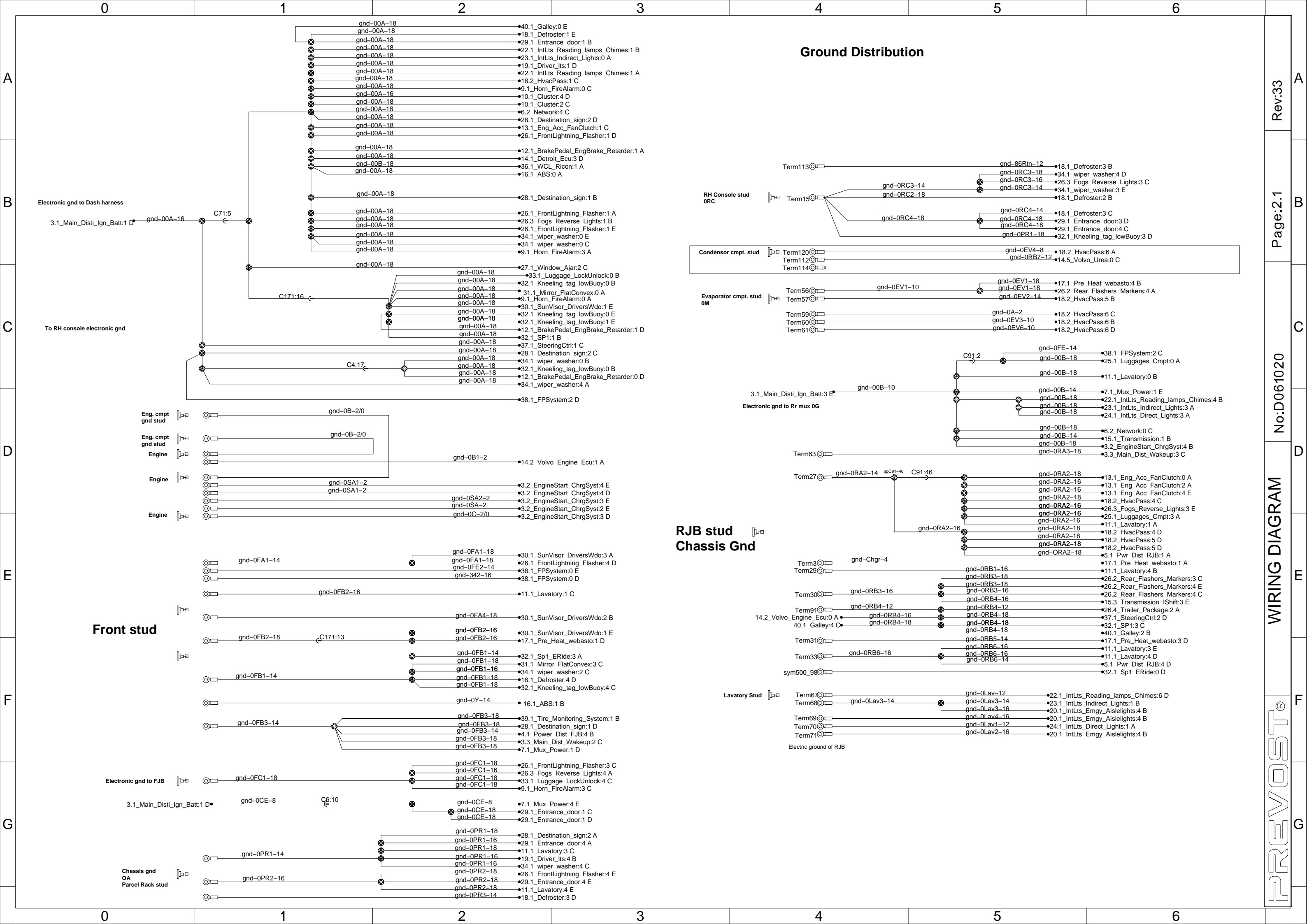


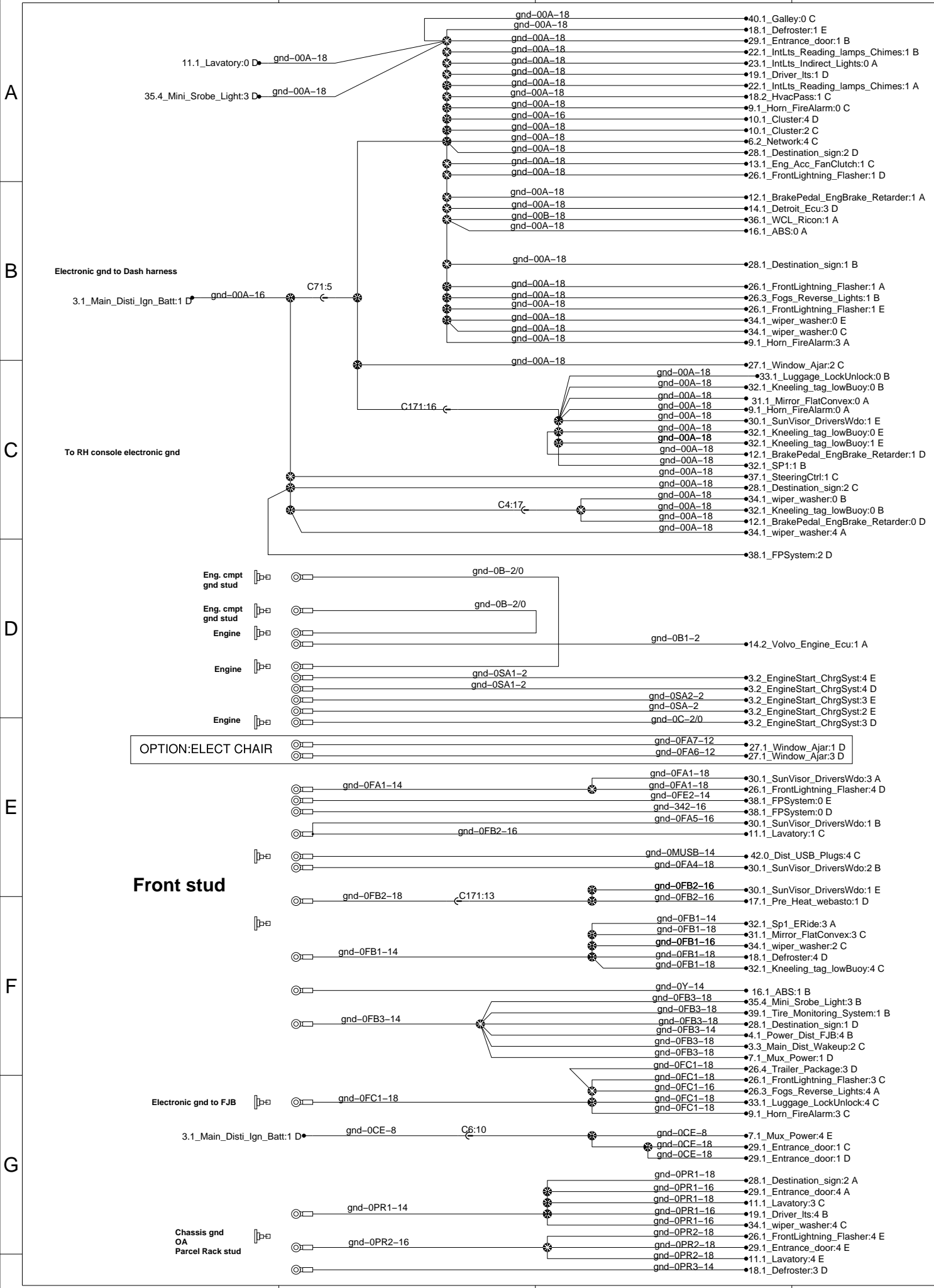




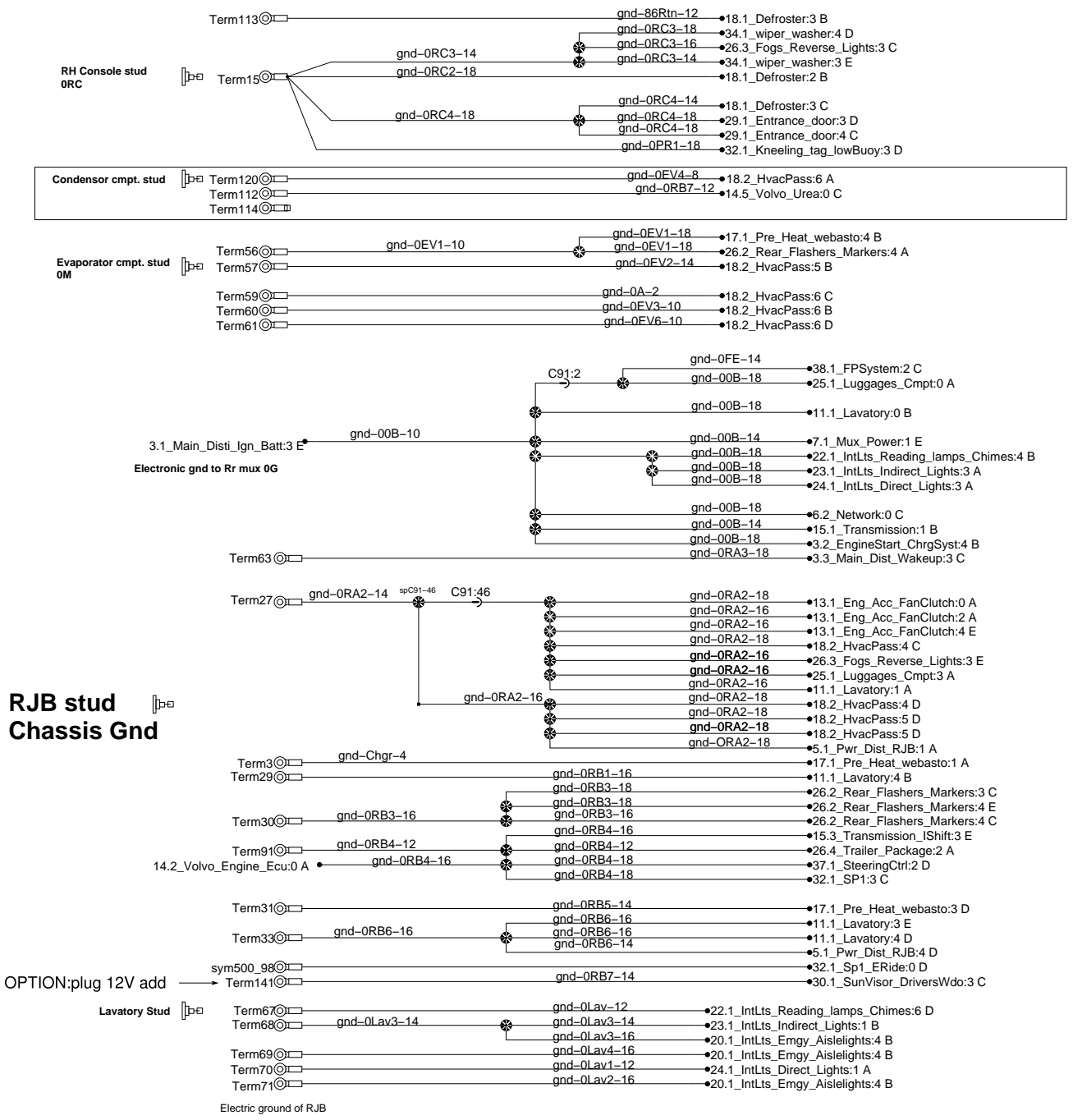








### Ground Distribution



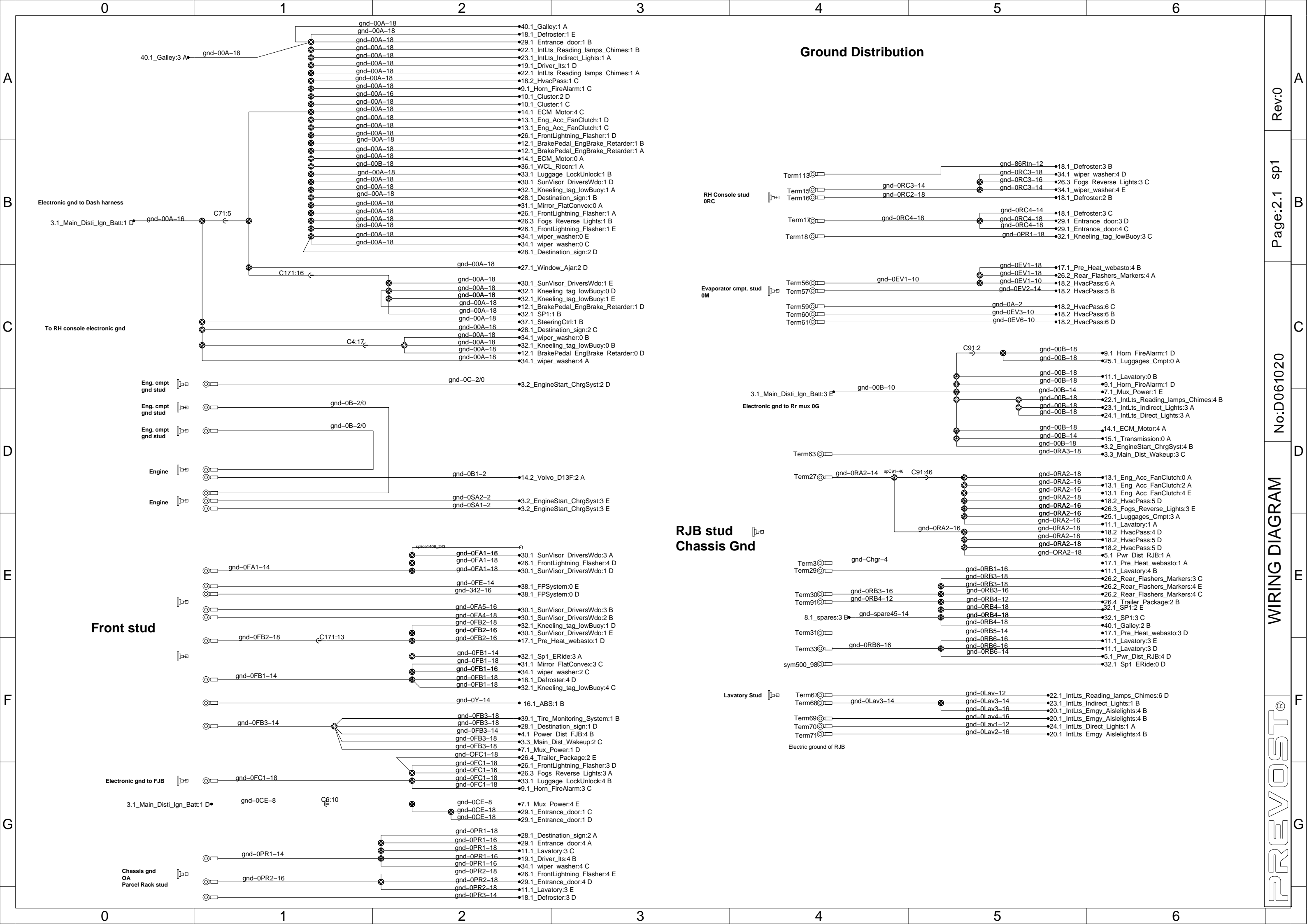
Rev:34

Page:2.1

No:D061020

WIRING DIAGRAM

PREVOST®



**Ground Distribution**

**RJB stud Chassis Gnd**

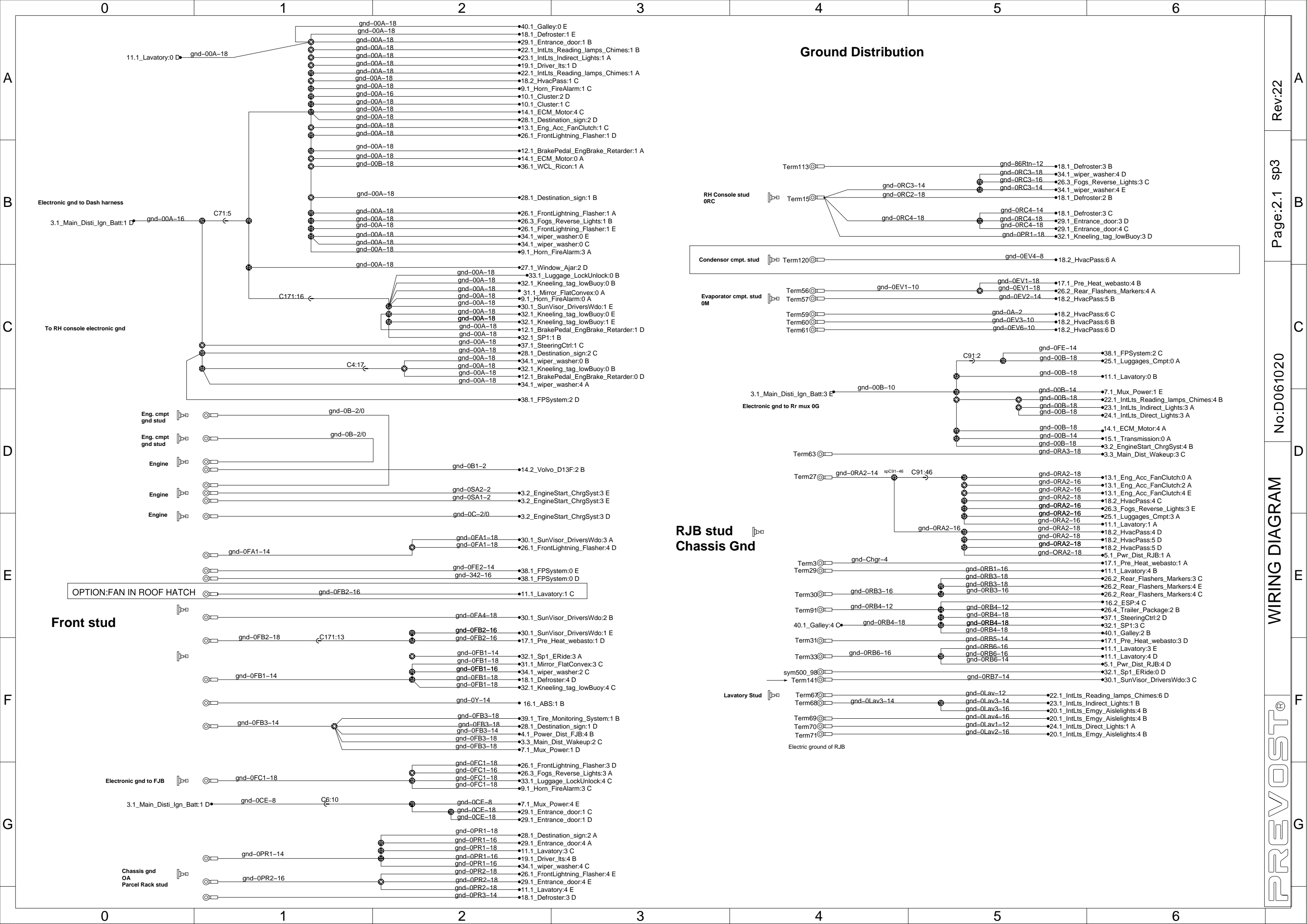
**Front stud**



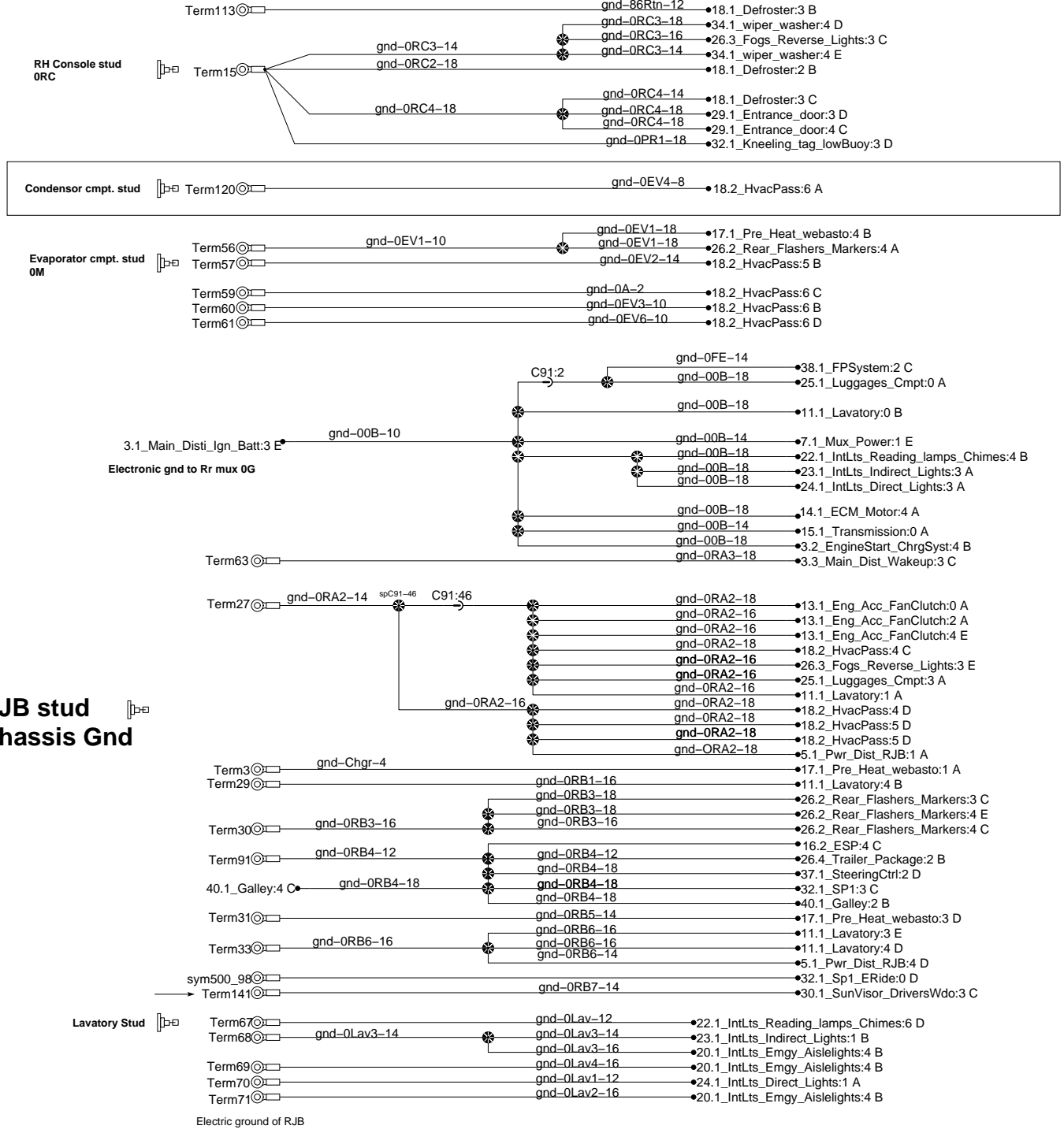






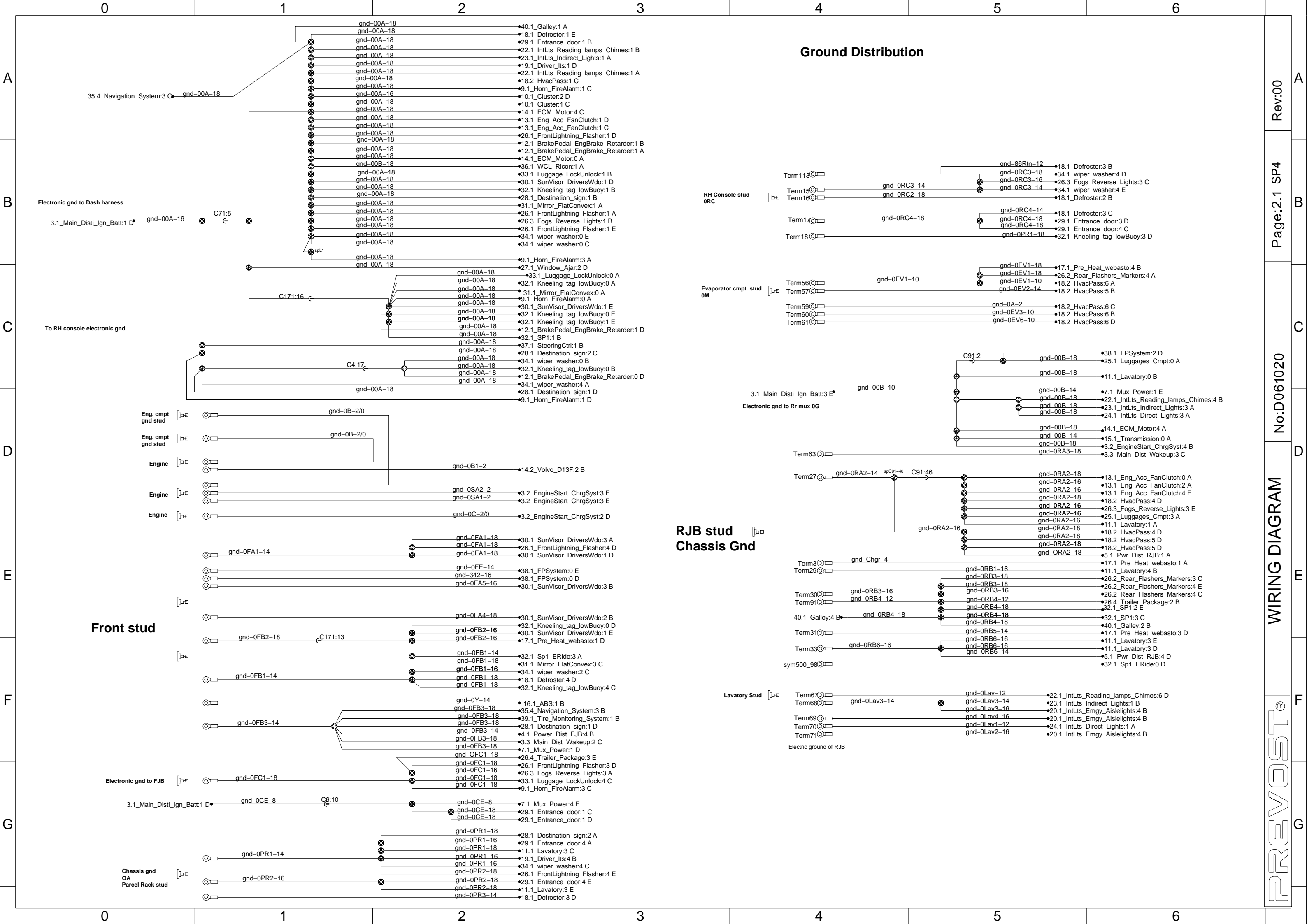


### Ground Distribution

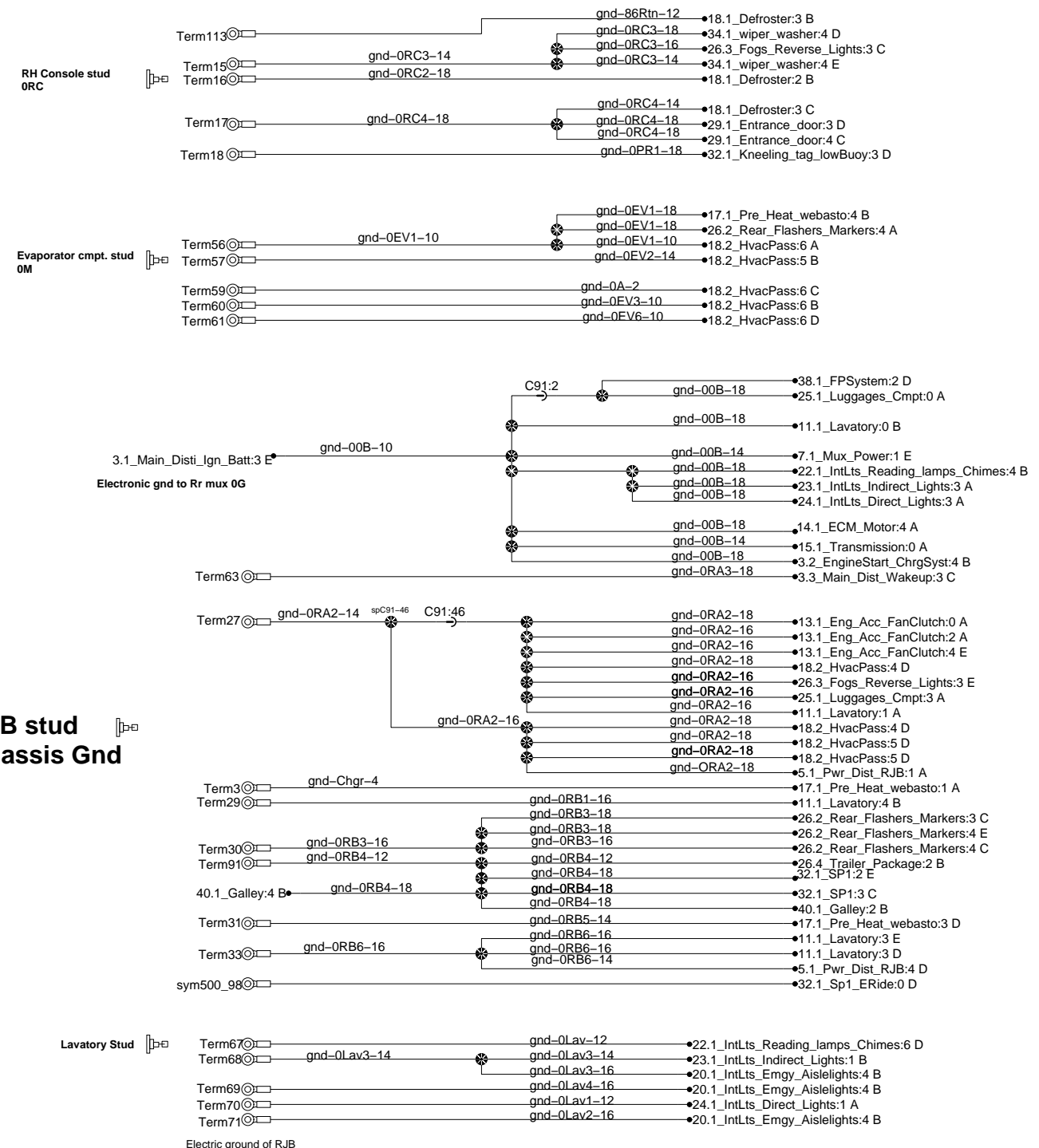


### RJB stud Chassis Gnd

### Front stud



### Ground Distribution



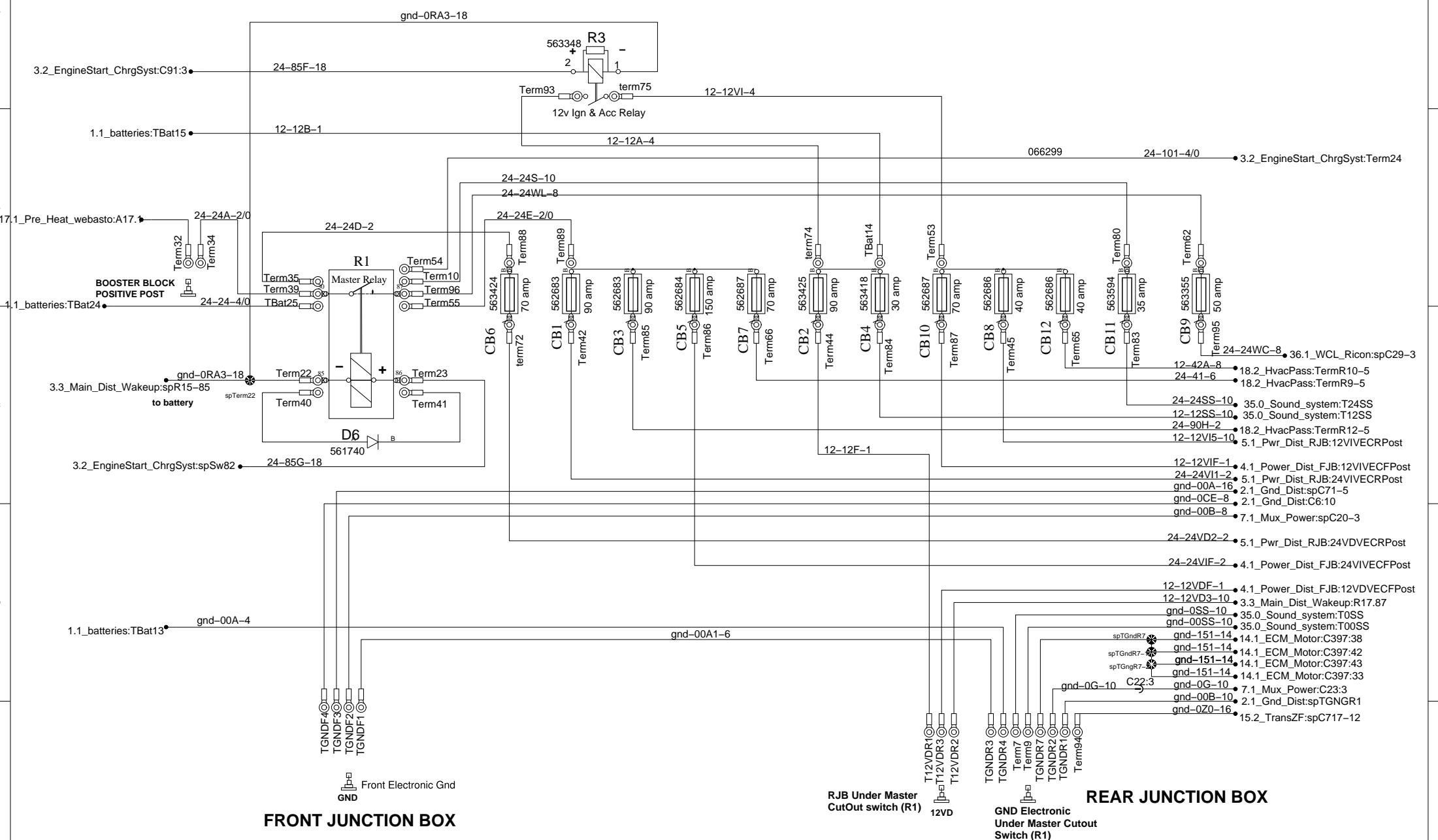
### RJB stud Chassis Gnd

### Front stud

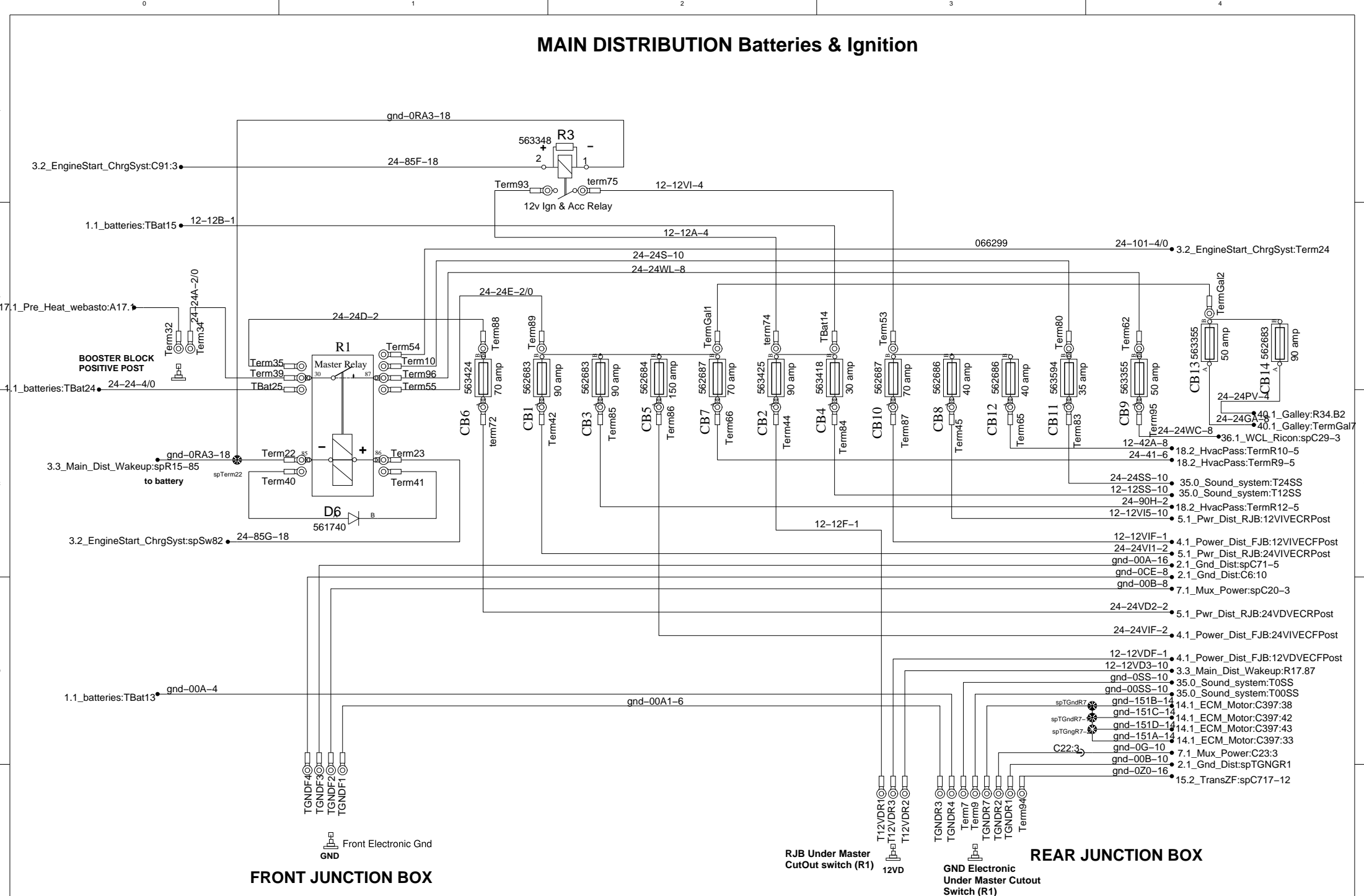
Rev:00  
 Page:2.1 SP4  
 No:D061020  
 WIRING DIAGRAM  
 PREVEST®



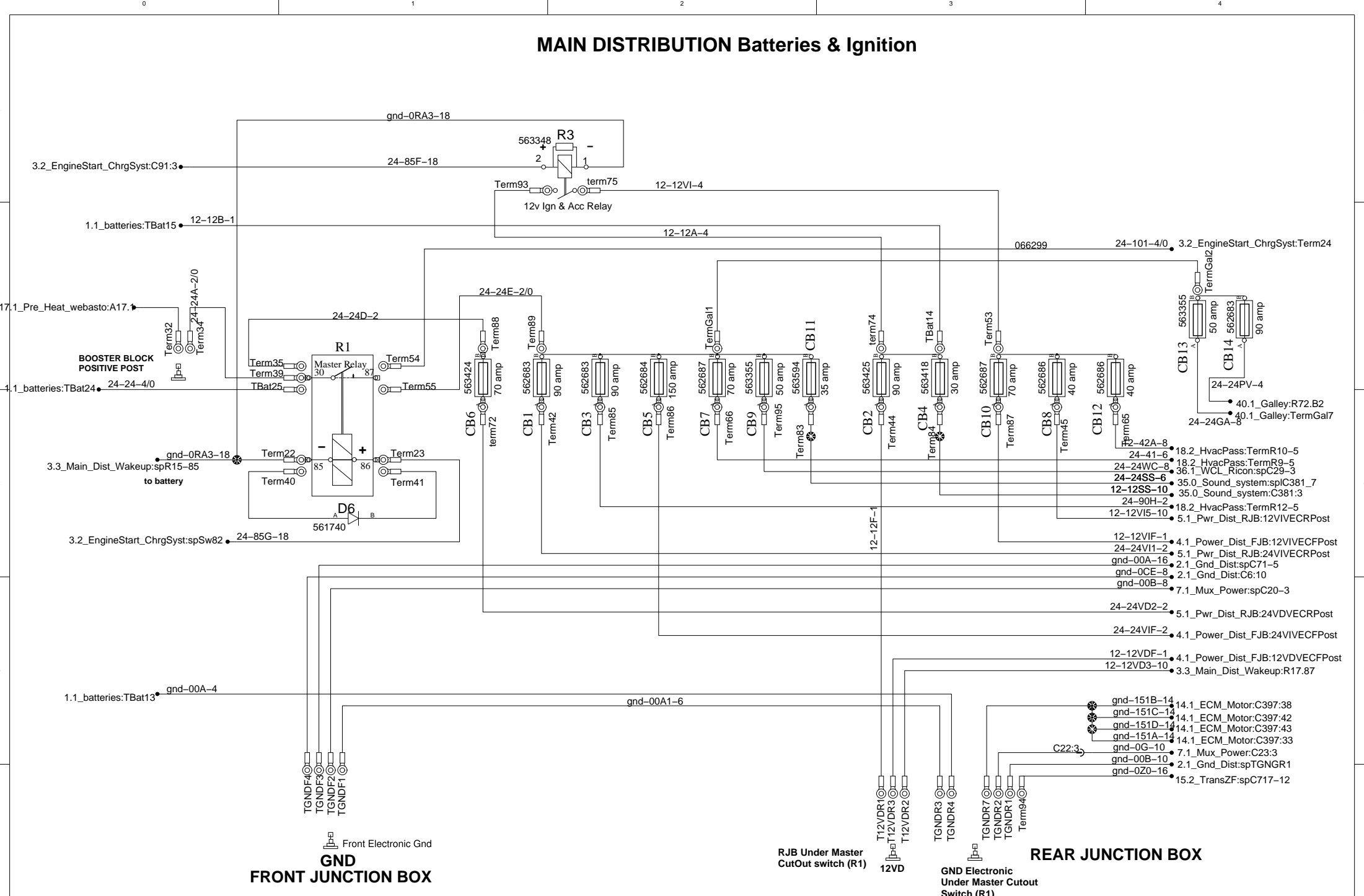
# MAIN DISTRIBUTION Batteries & Ignition



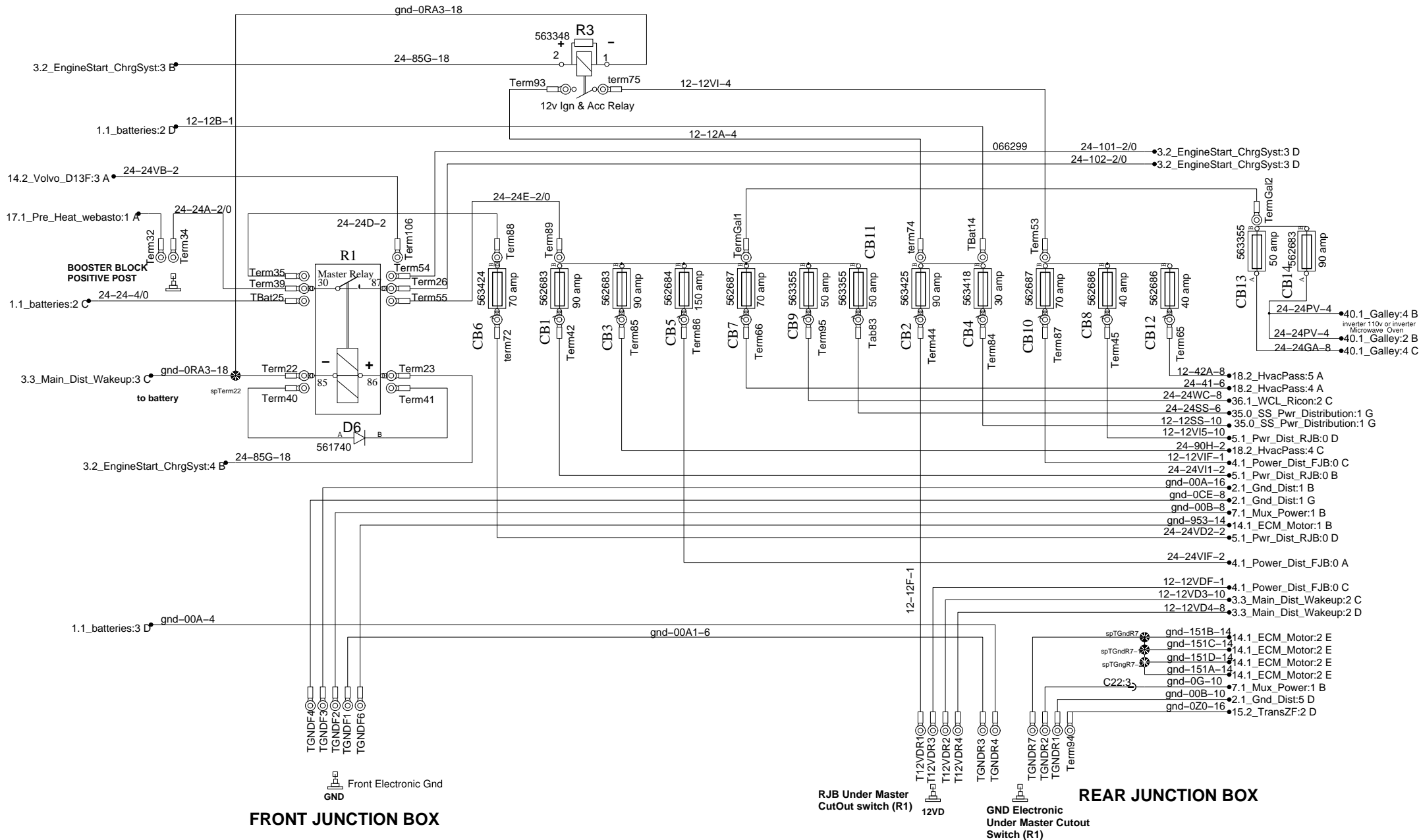
# MAIN DISTRIBUTION Batteries & Ignition



# MAIN DISTRIBUTION Batteries & Ignition



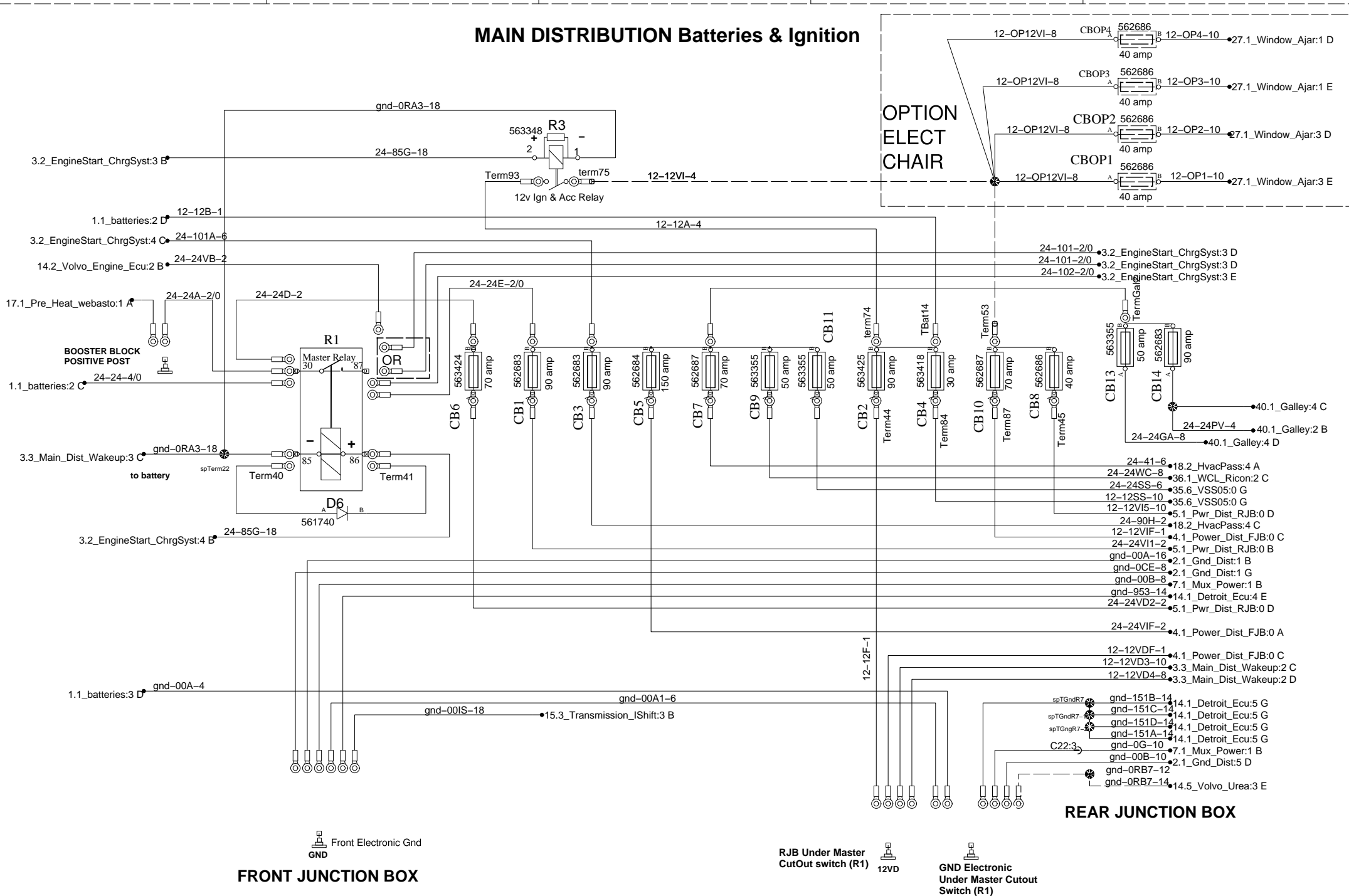
# MAIN DISTRIBUTION Batteries & Ignition





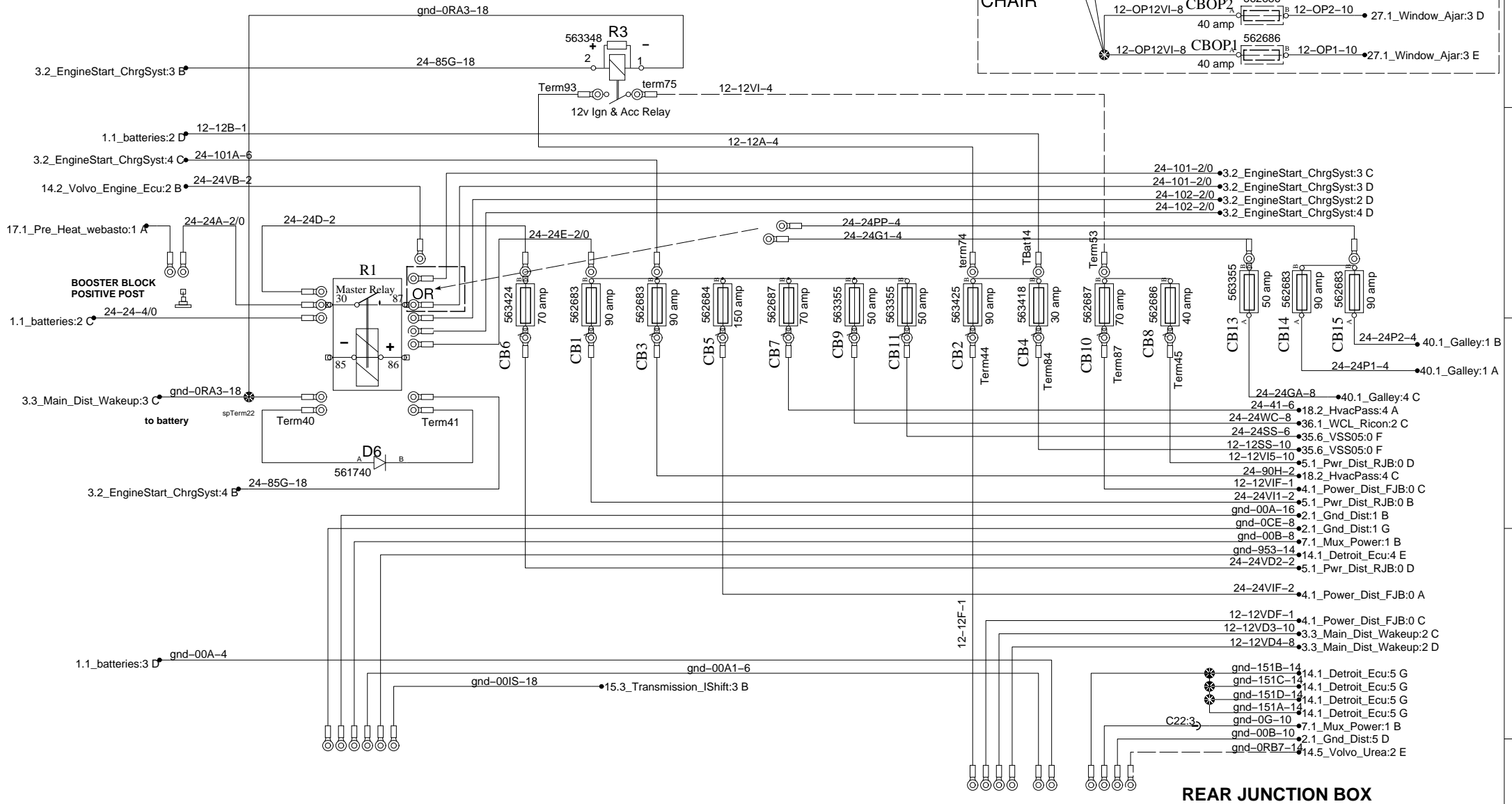


# MAIN DISTRIBUTION Batteries & Ignition



# MAIN DISTRIBUTION Batteries & Ignition

OPTION  
ELECT  
CHAIR

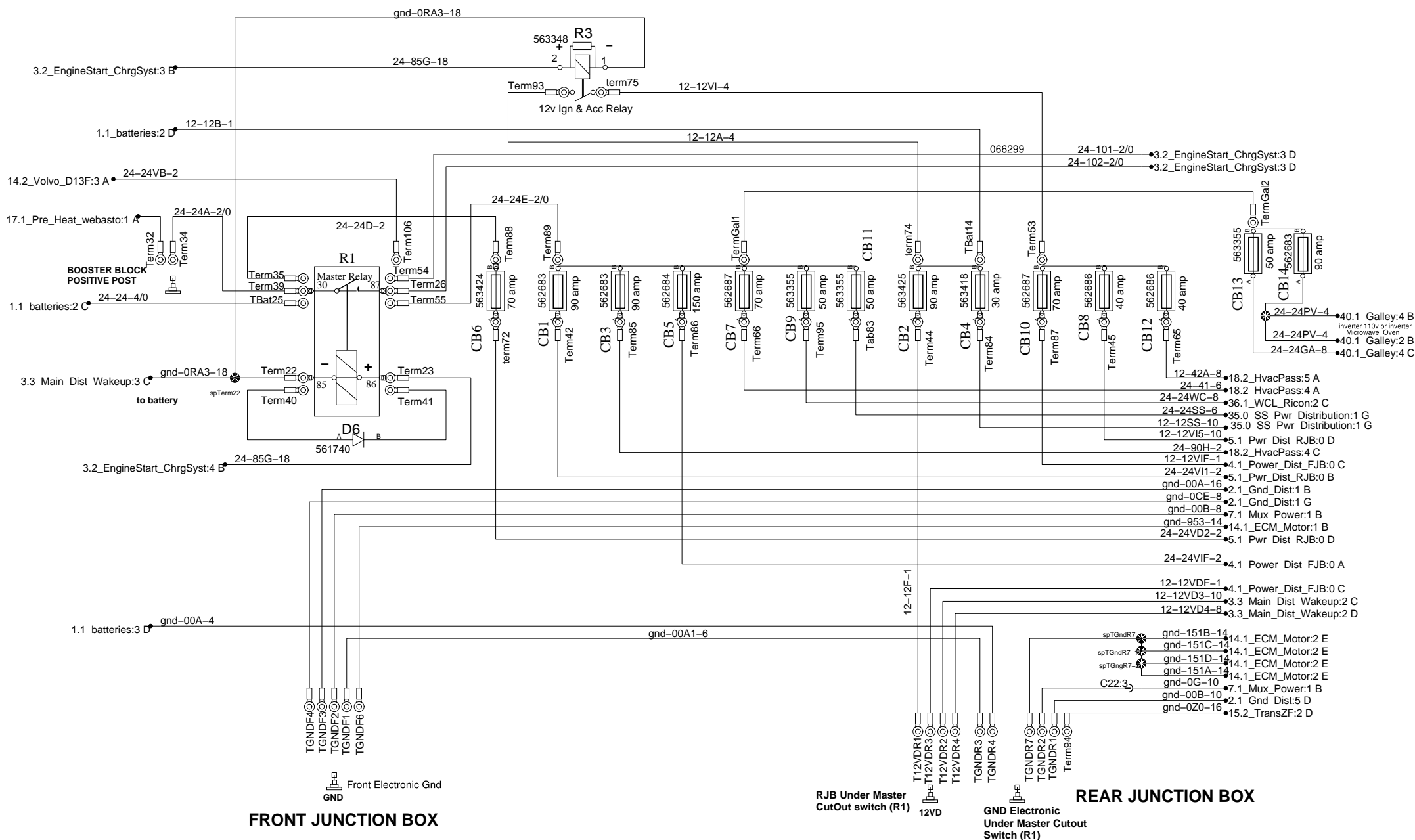


FRONT JUNCTION BOX

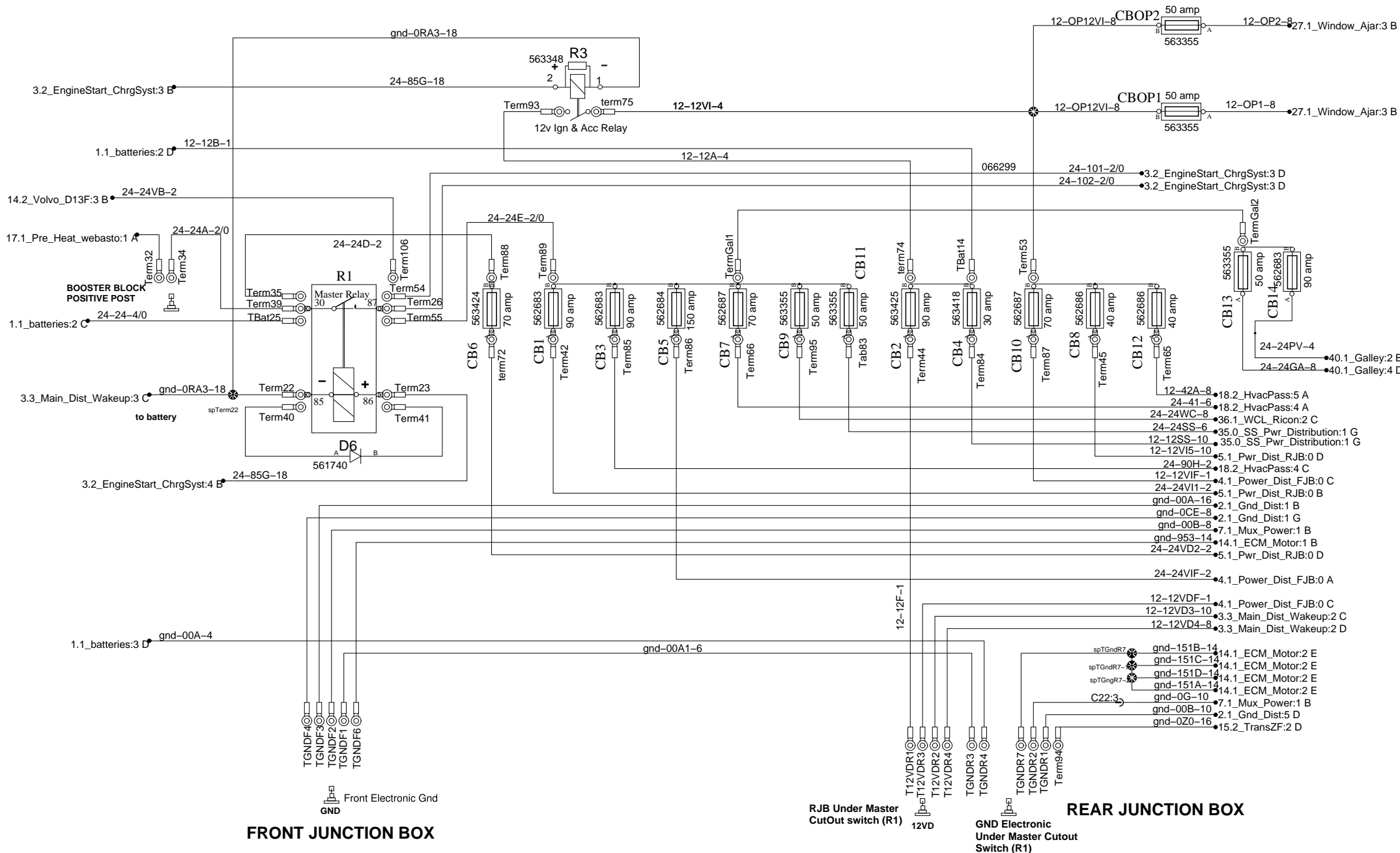
RJB Under Master CutOut switch (R1)  
12VD  
GND Electronic Under Master Cutout Switch (R1)

REAR JUNCTION BOX

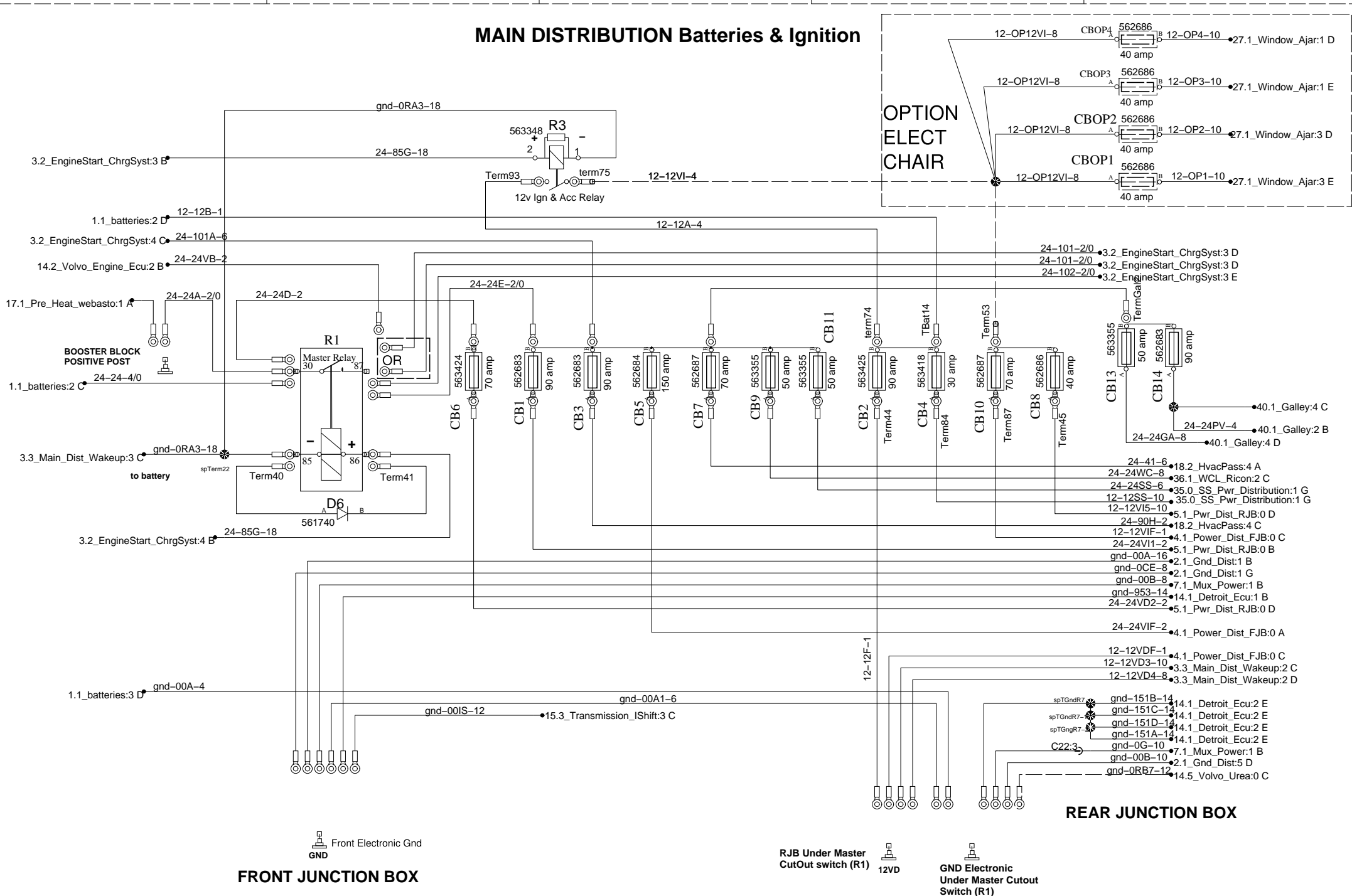
# MAIN DISTRIBUTION Batteries & Ignition



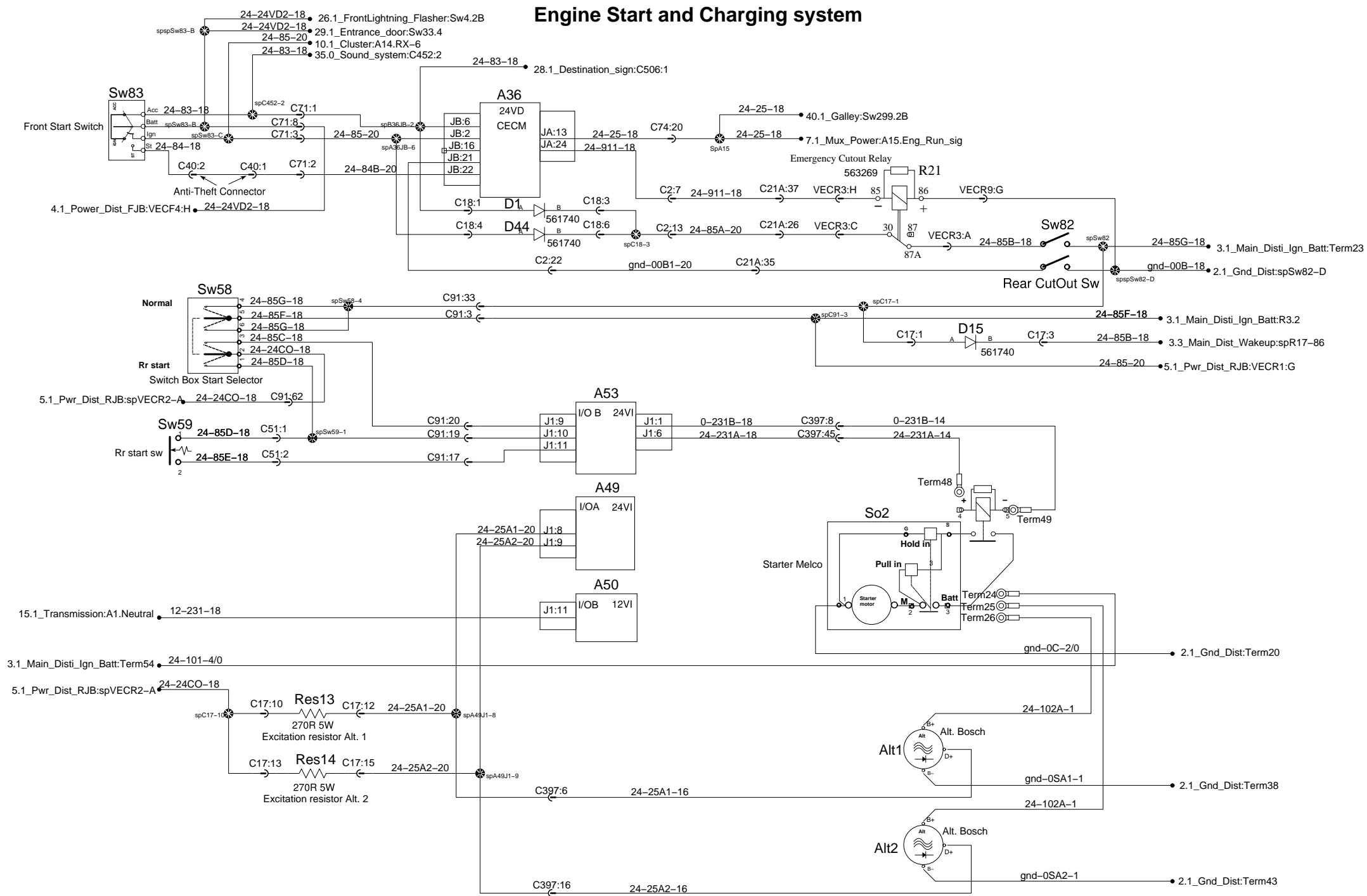
# MAIN DISTRIBUTION Batteries & Ignition



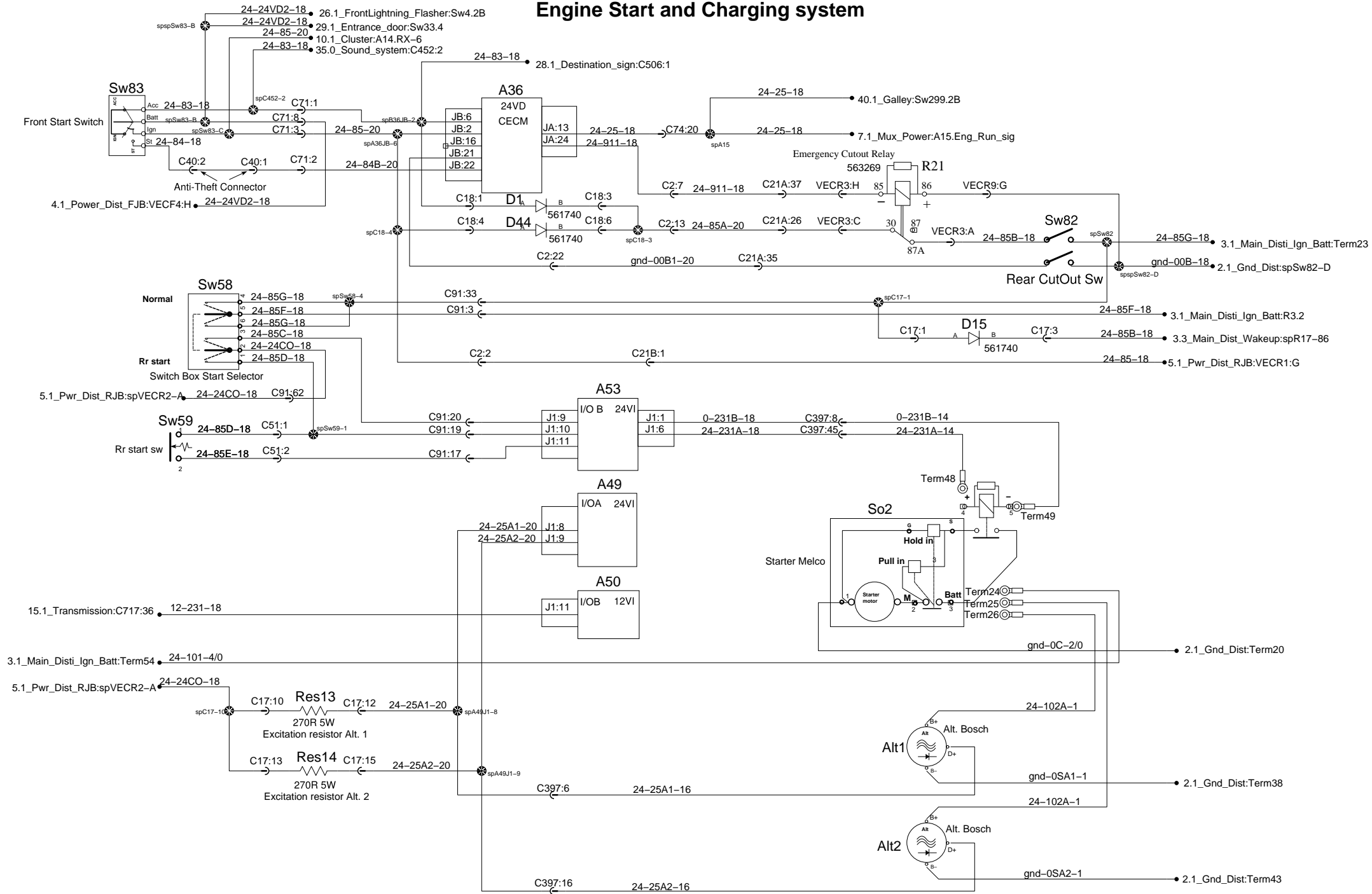
# MAIN DISTRIBUTION Batteries & Ignition



# Engine Start and Charging system

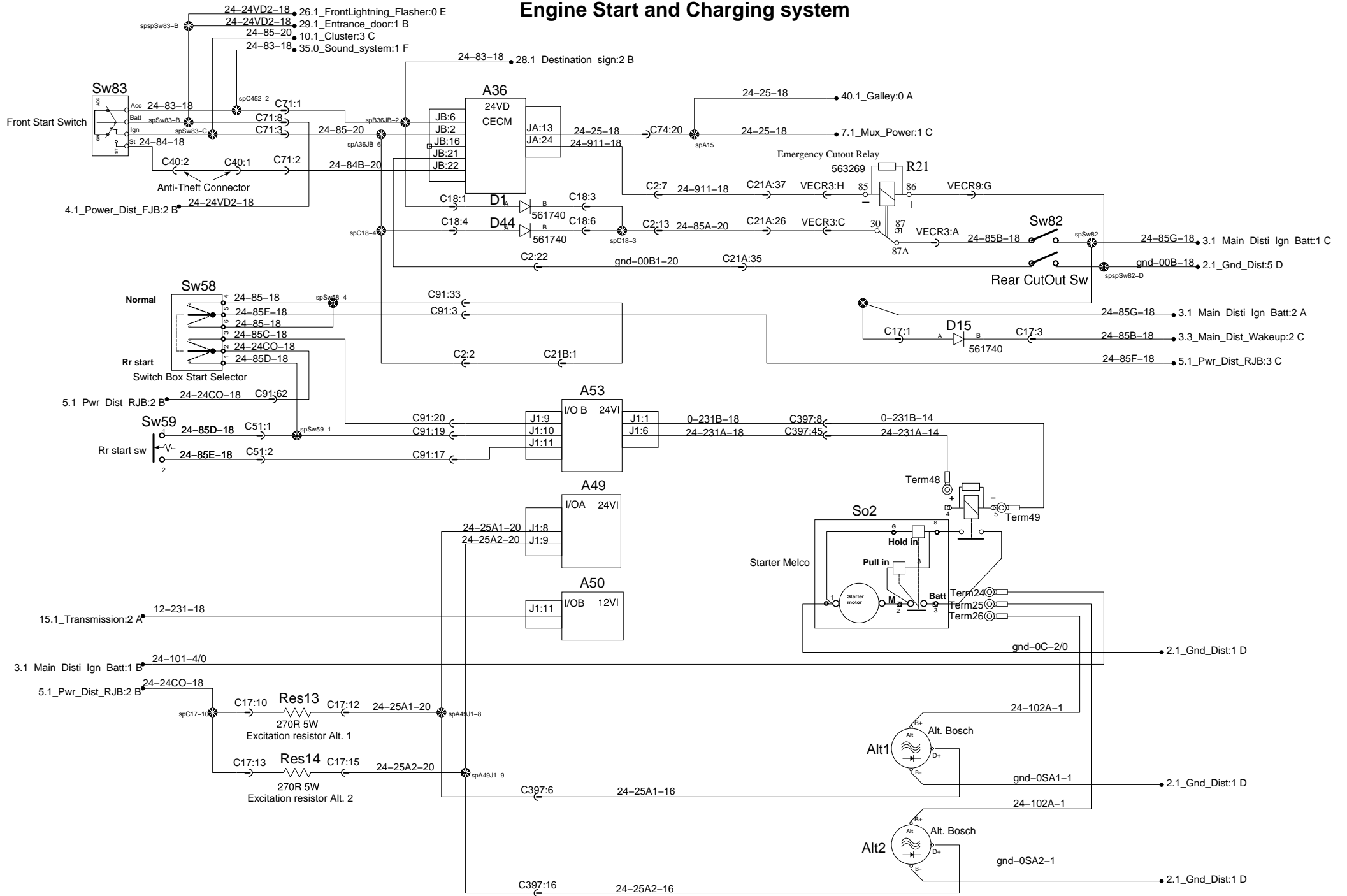


# Engine Start and Charging system

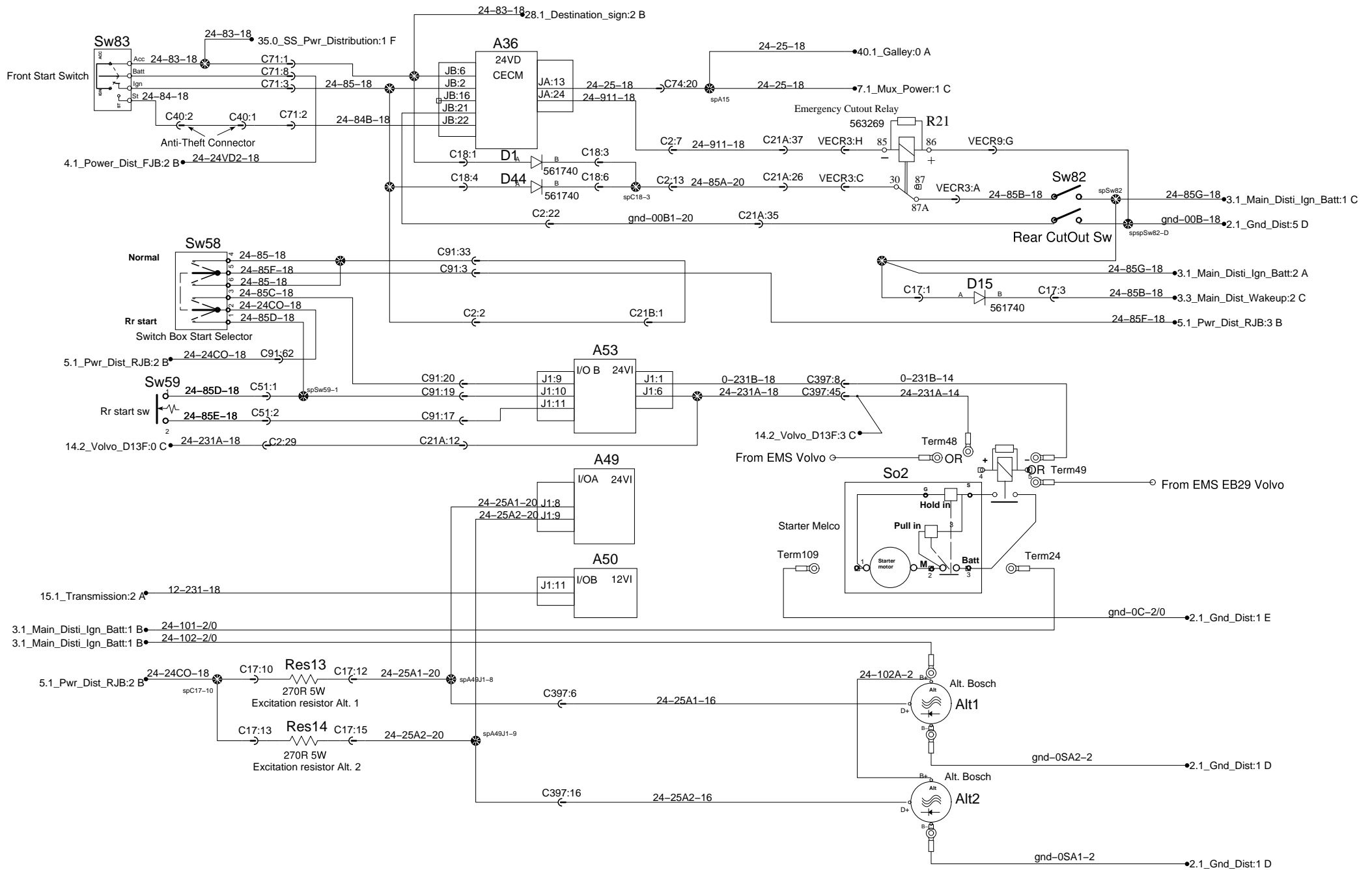




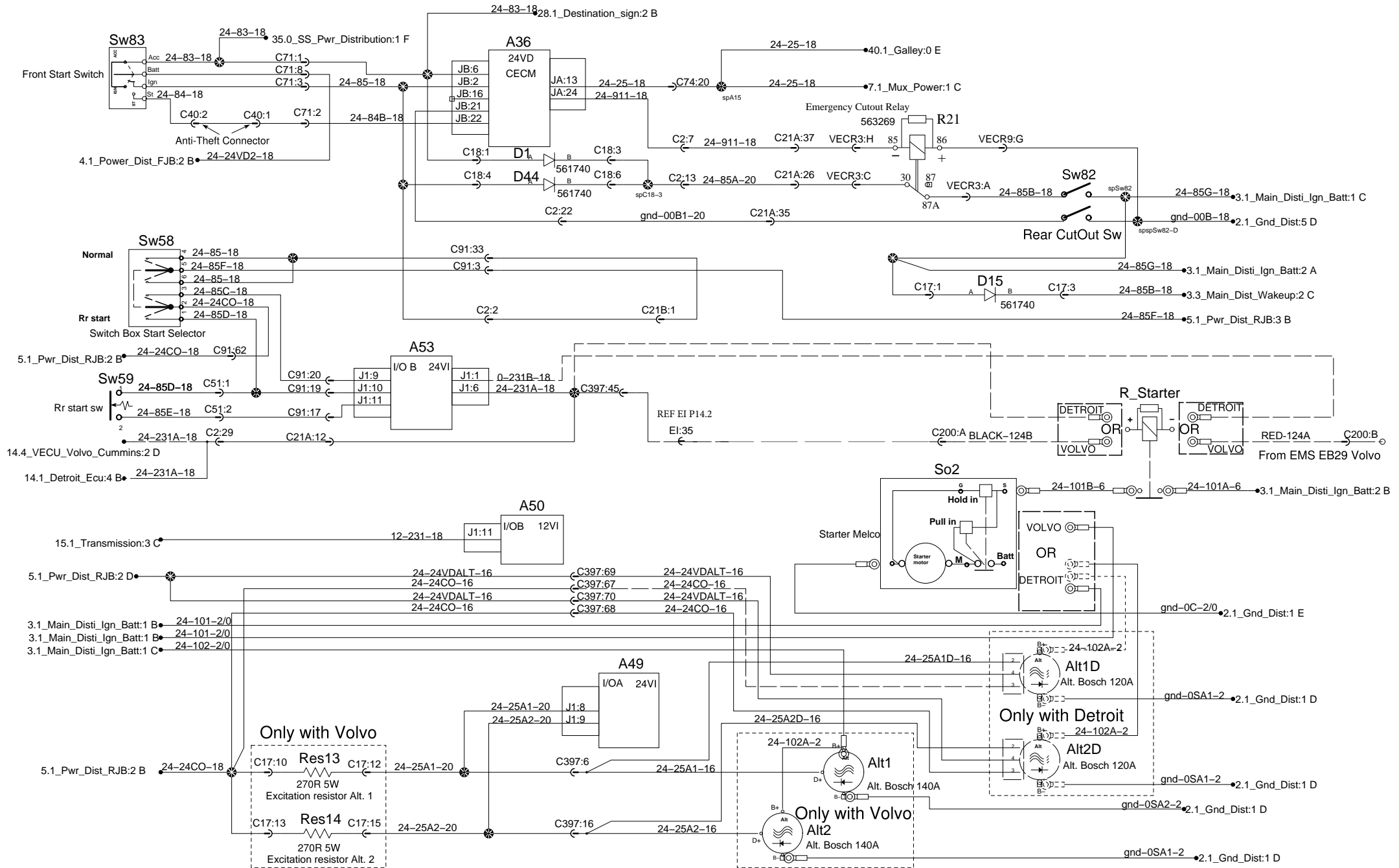
# Engine Start and Charging system



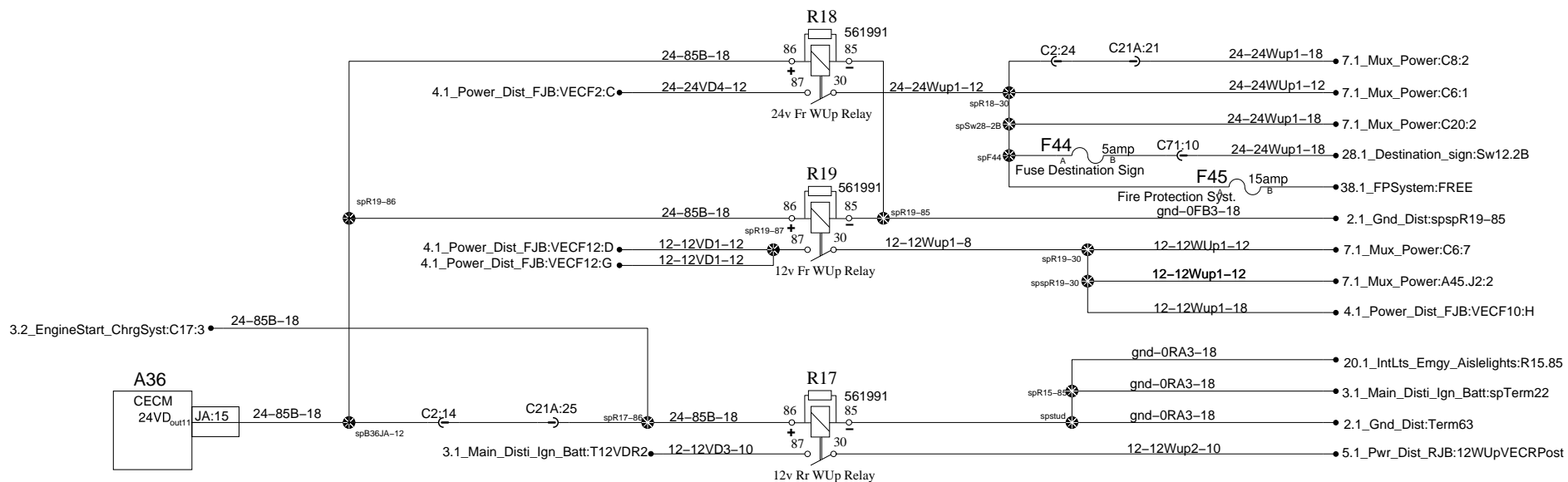
# Engine Start and Charging system



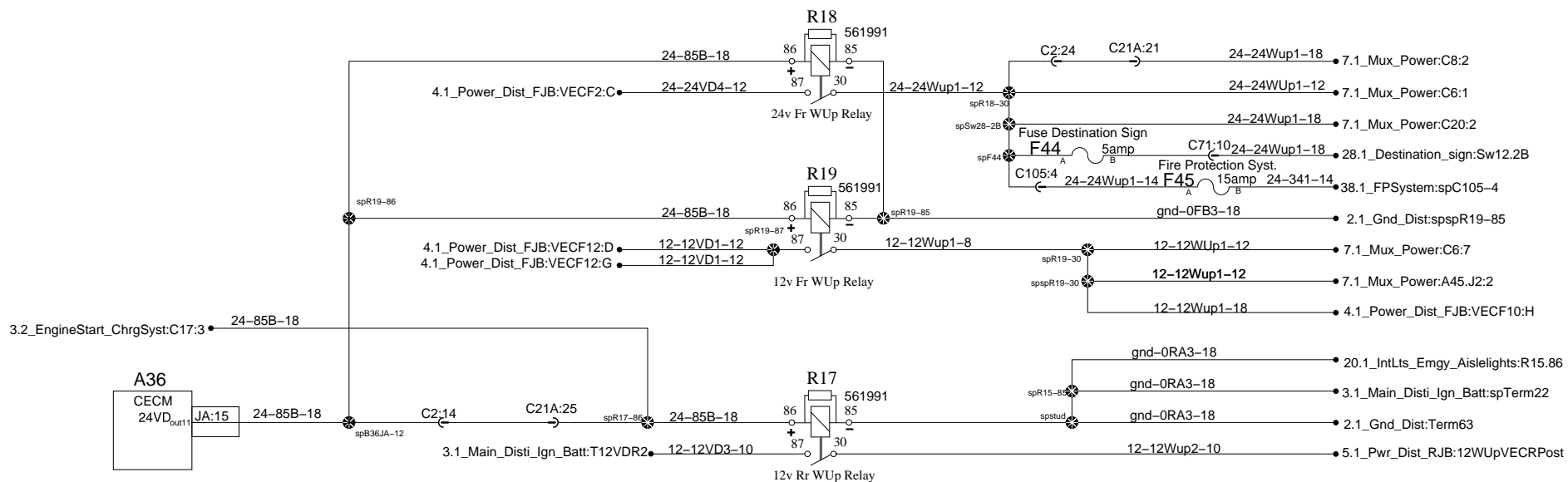
# Engine Start and Charging system



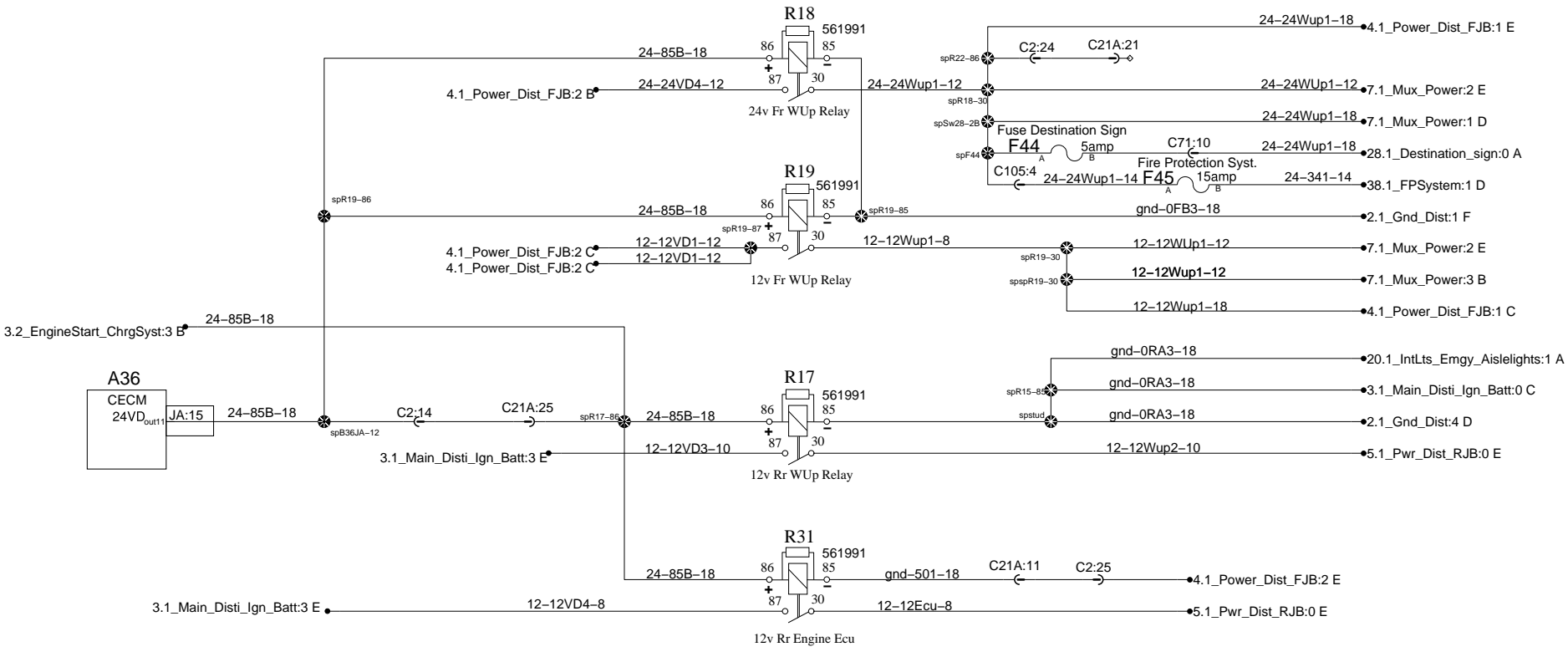
# MAIN DISTRIBUTION Wake-Up



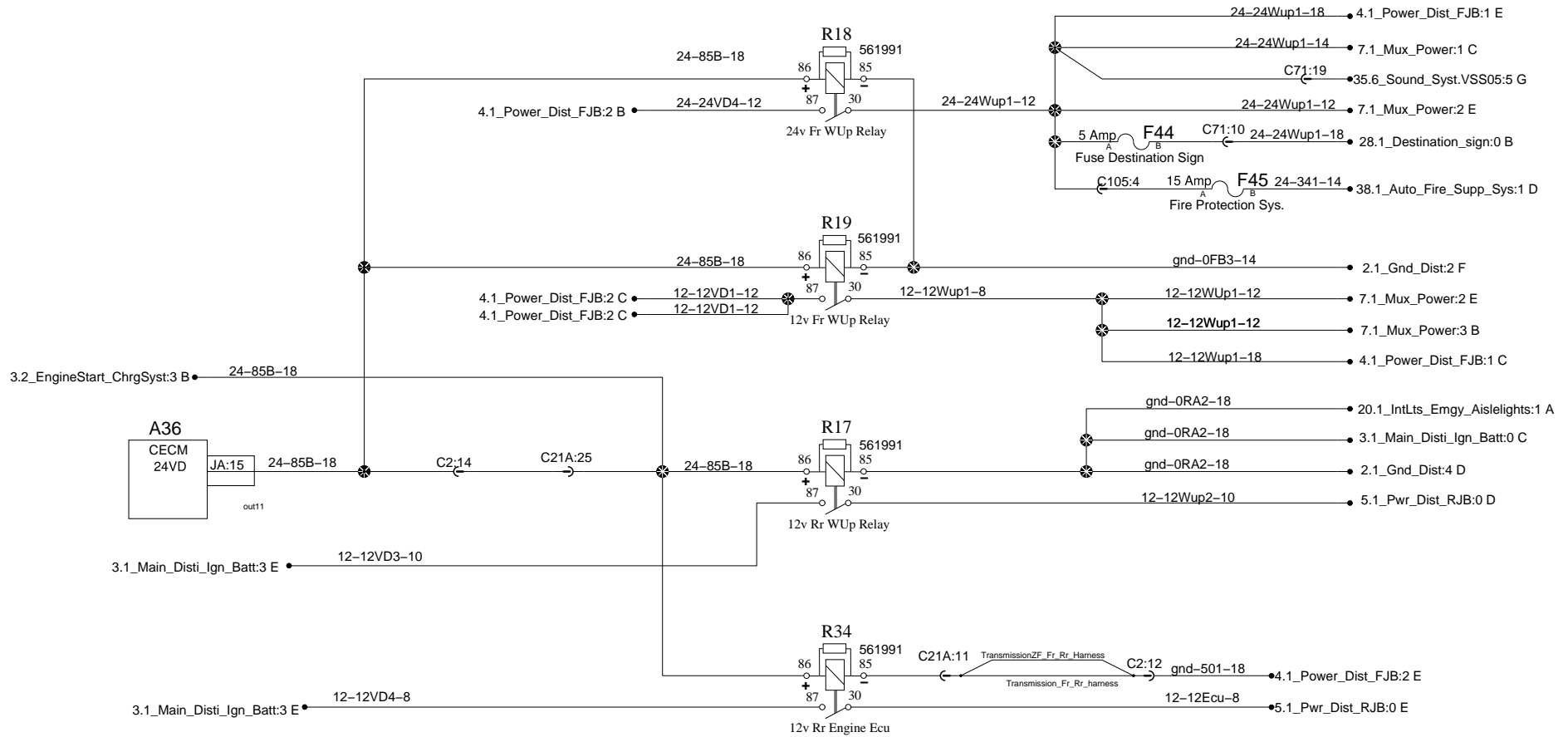
# MAIN DISTRIBUTION Wake-Up



# MAIN DISTRIBUTION Wake-Up



# MAIN DISTRIBUTION Wake-Up

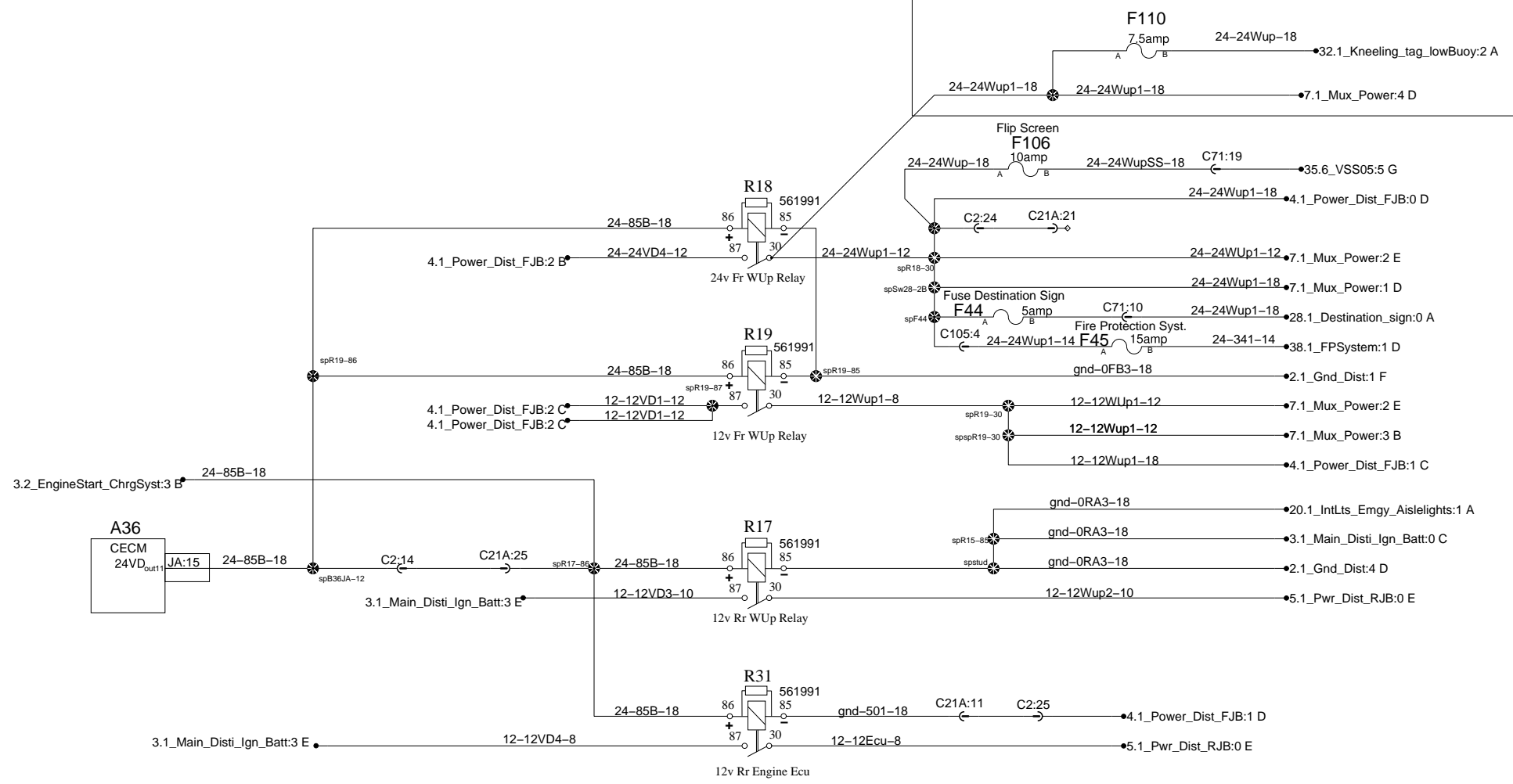






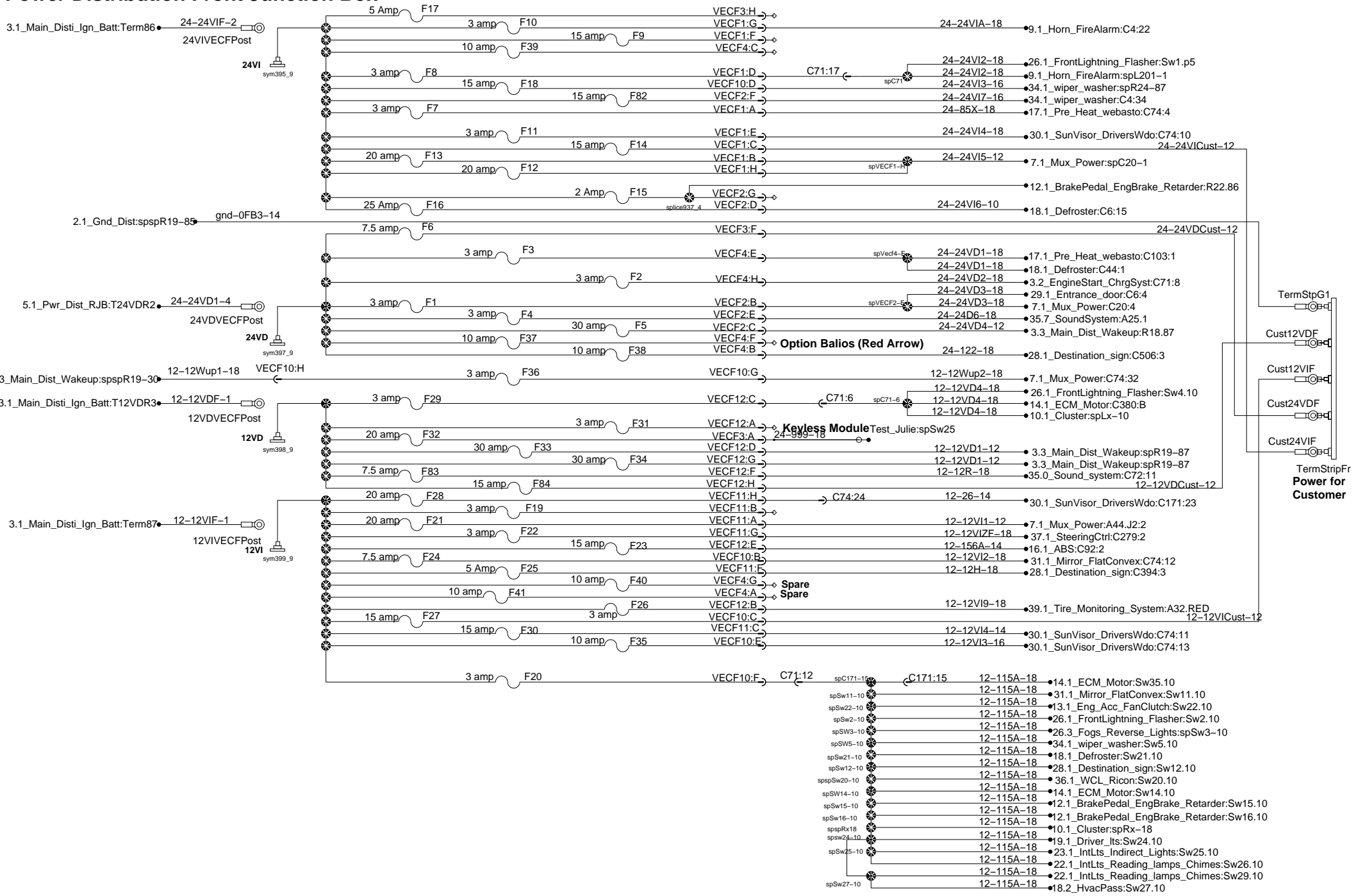
### MAIN DISTRIBUTION Wake-Up

OPTION KNEELED 2H/SW A OFF

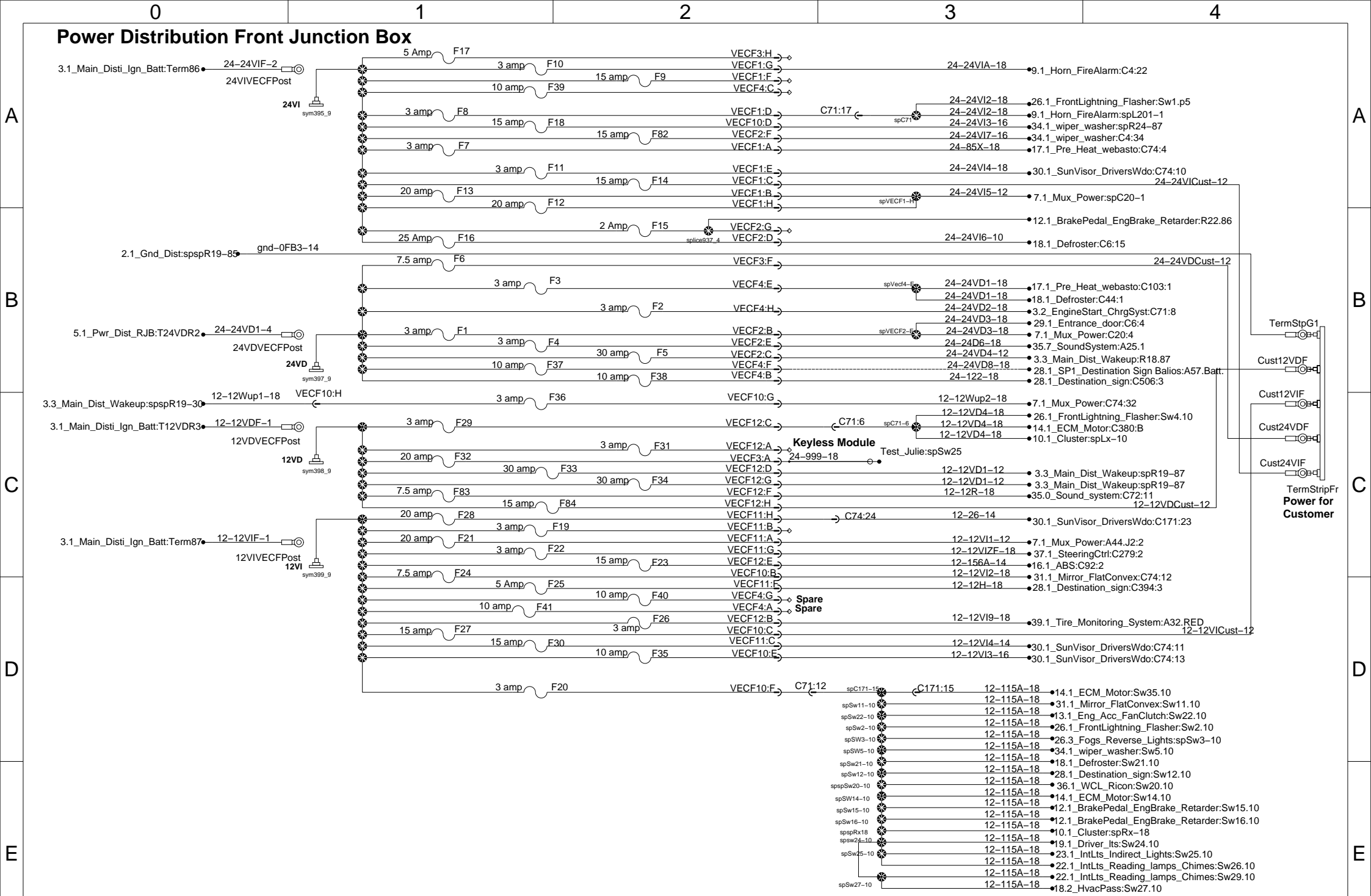




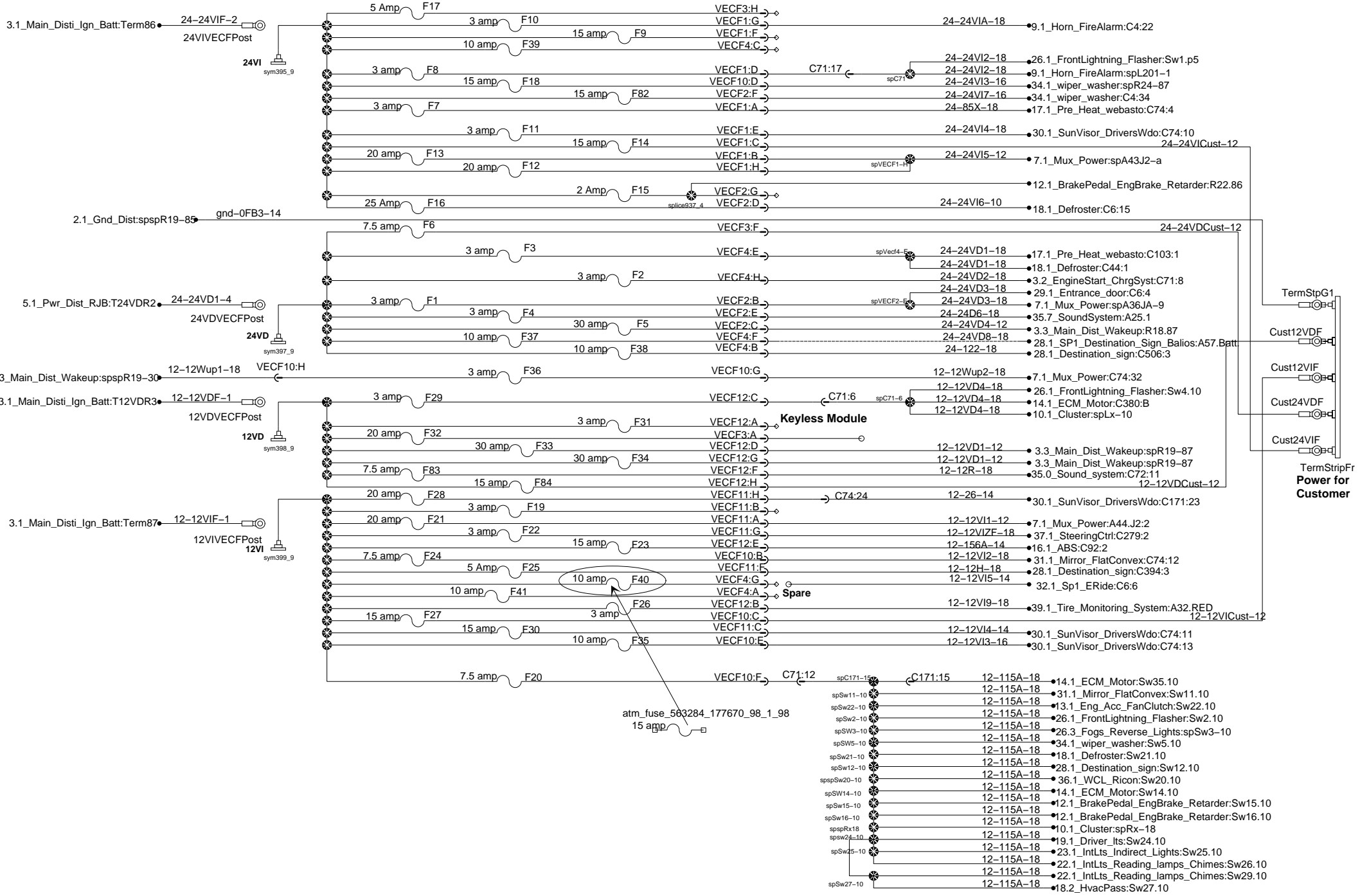
# Power Distribution Front Junction Box



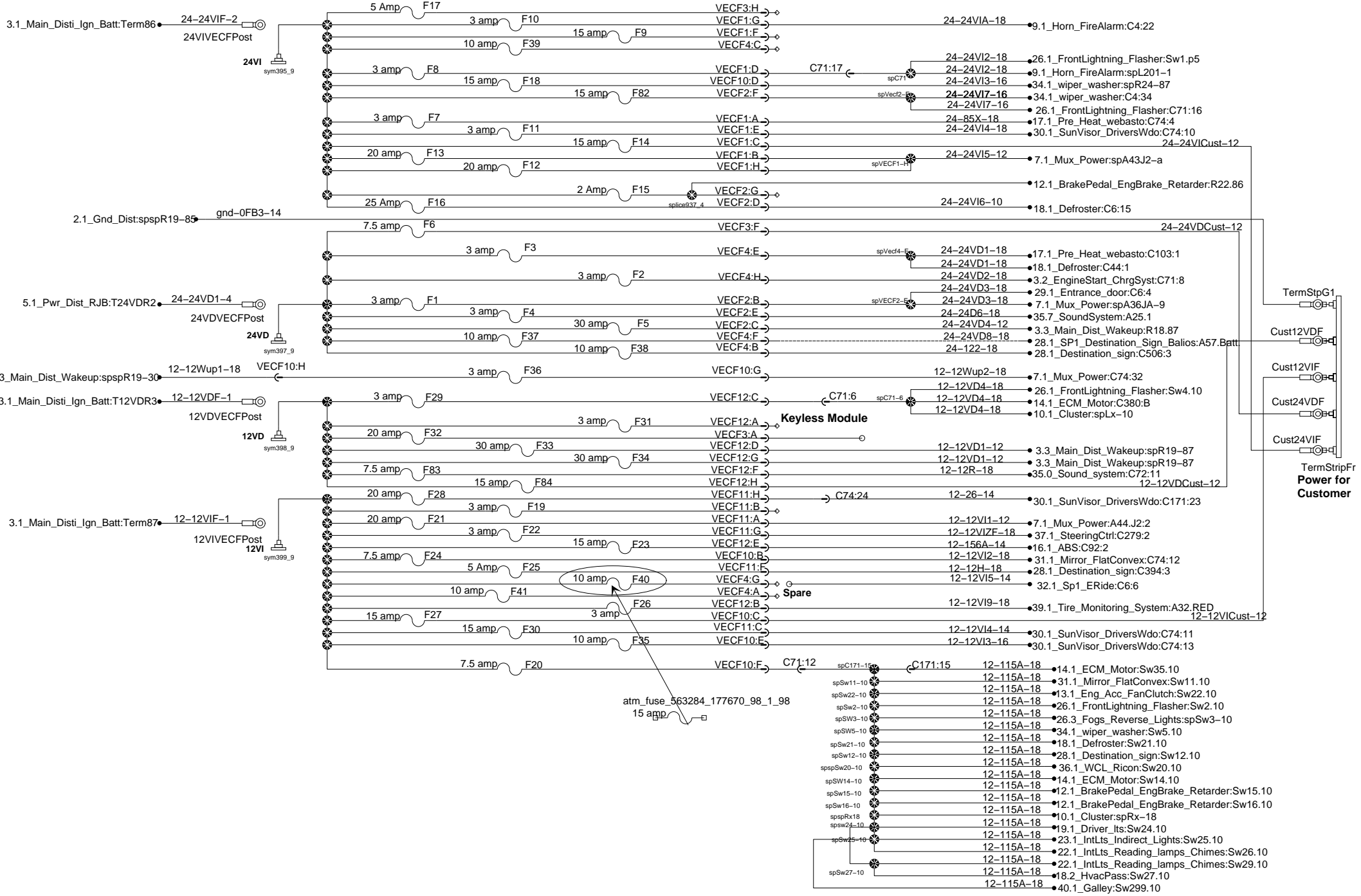
# Power Distribution Front Junction Box



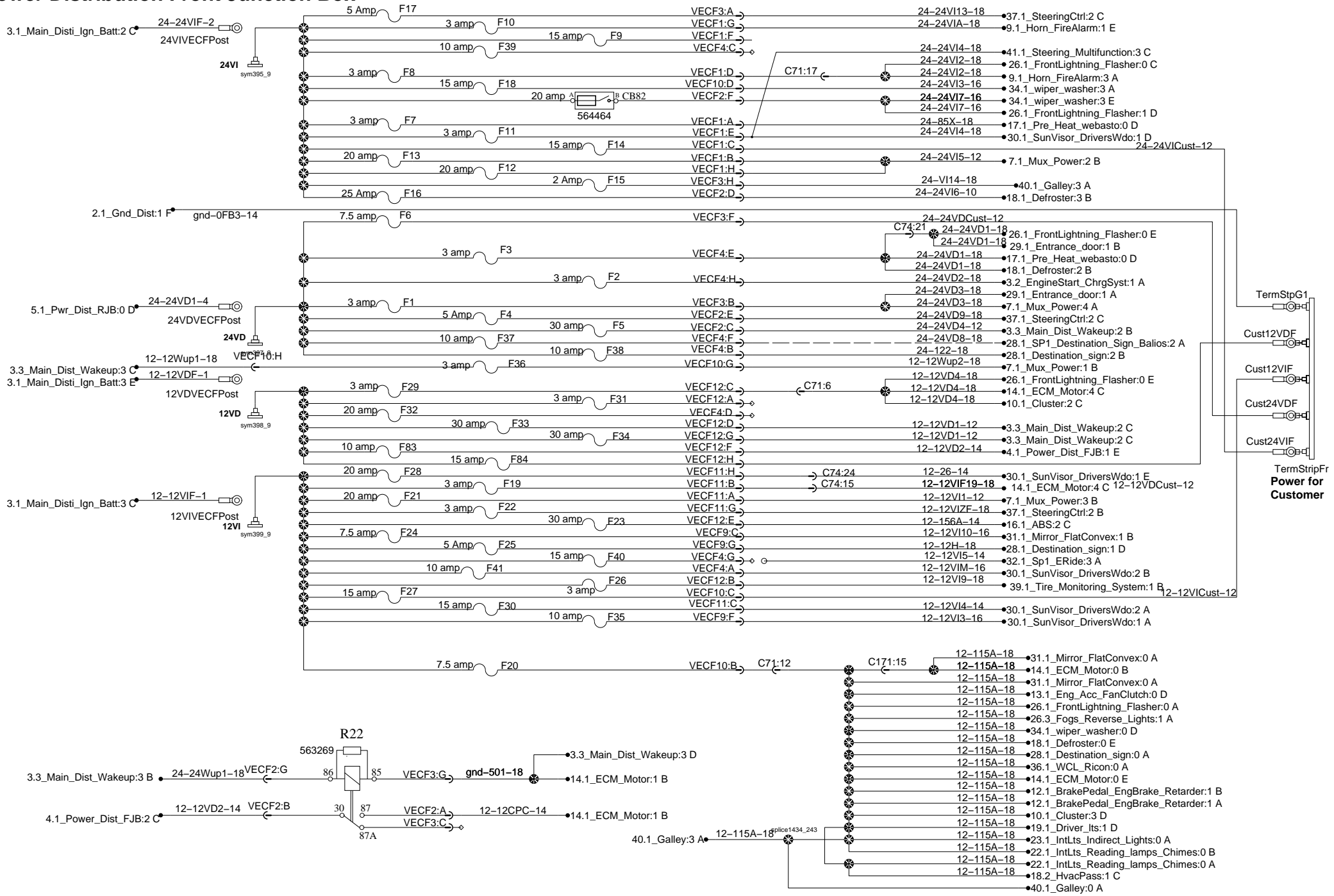
# Power Distribution Front Junction Box



# Power Distribution Front Junction Box

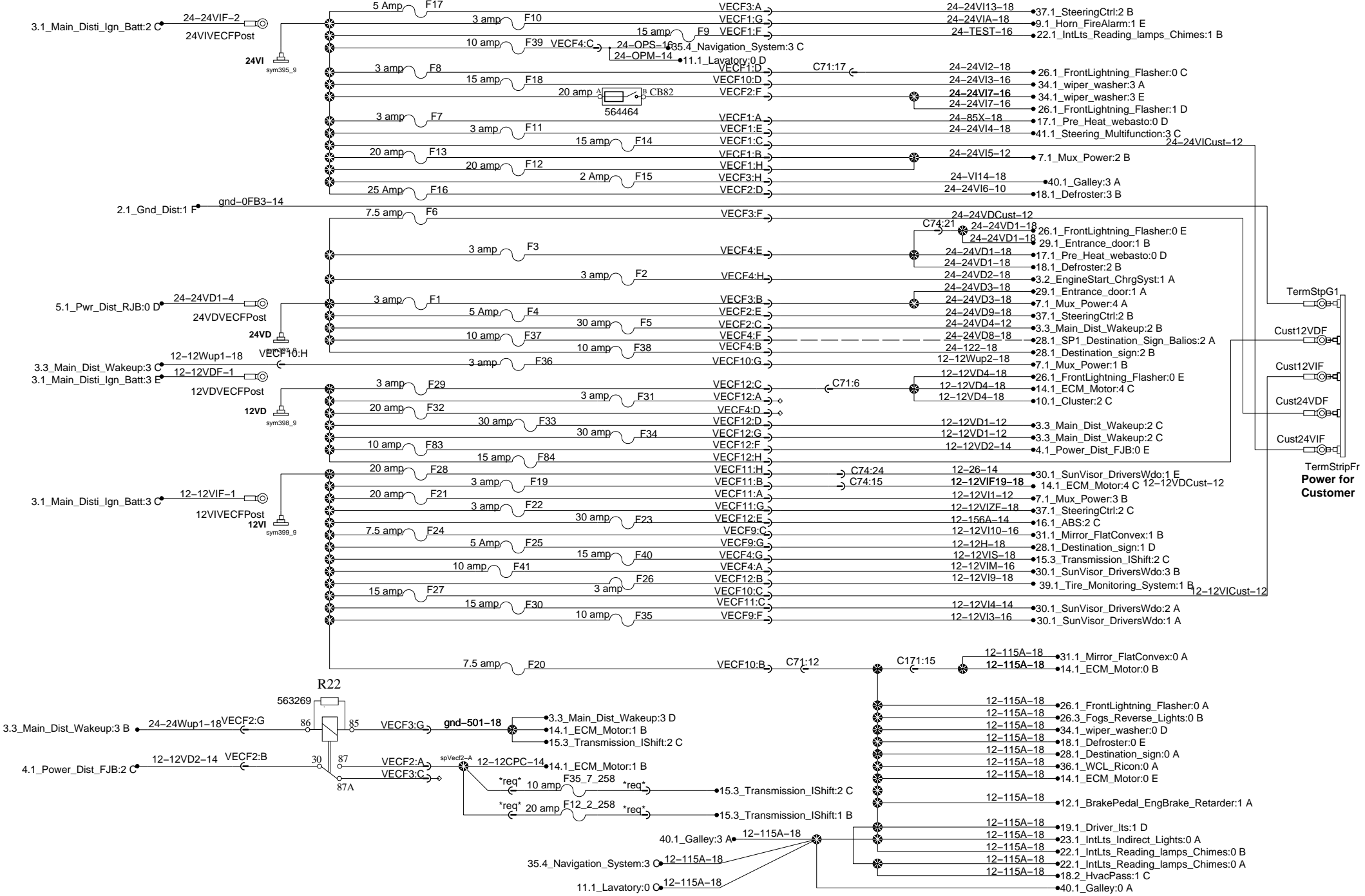


# Power Distribution Front Junction Box



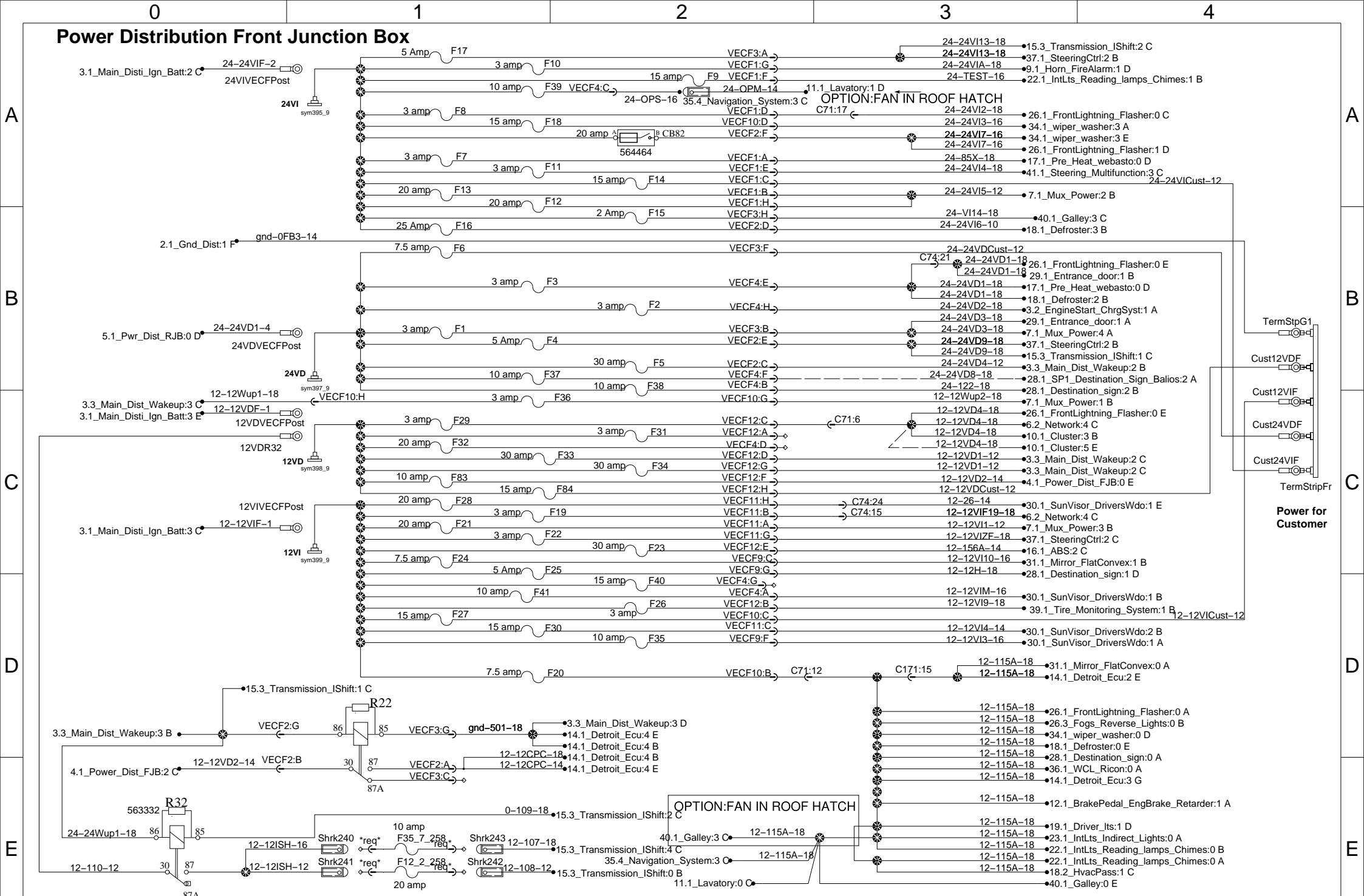
TermStpG1  
Cust12VDF  
Cust12VIF  
Cust24VDF  
Cust24VIF  
Power for Customer

# Power Distribution Front Junction Box

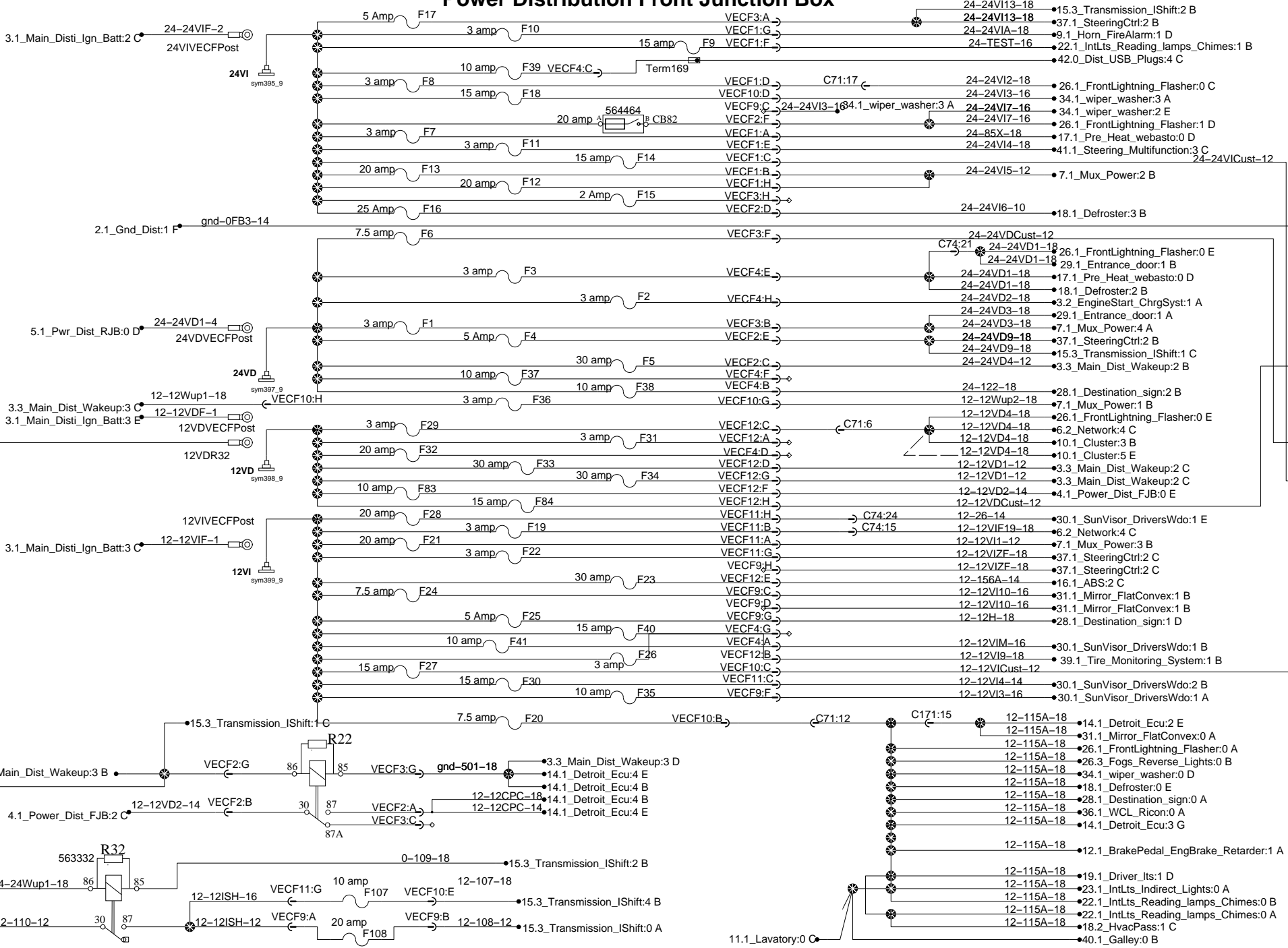




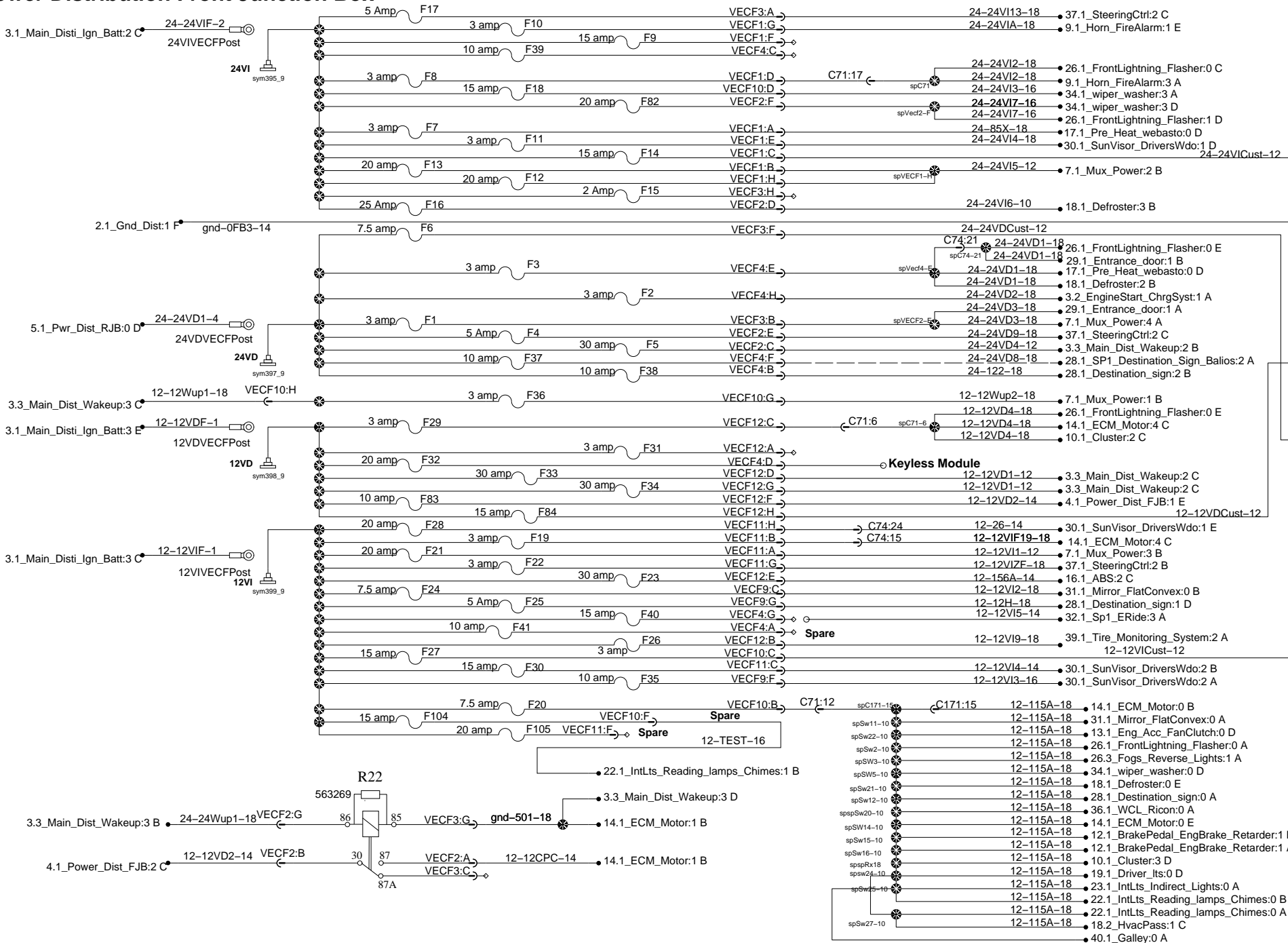
# Power Distribution Front Junction Box



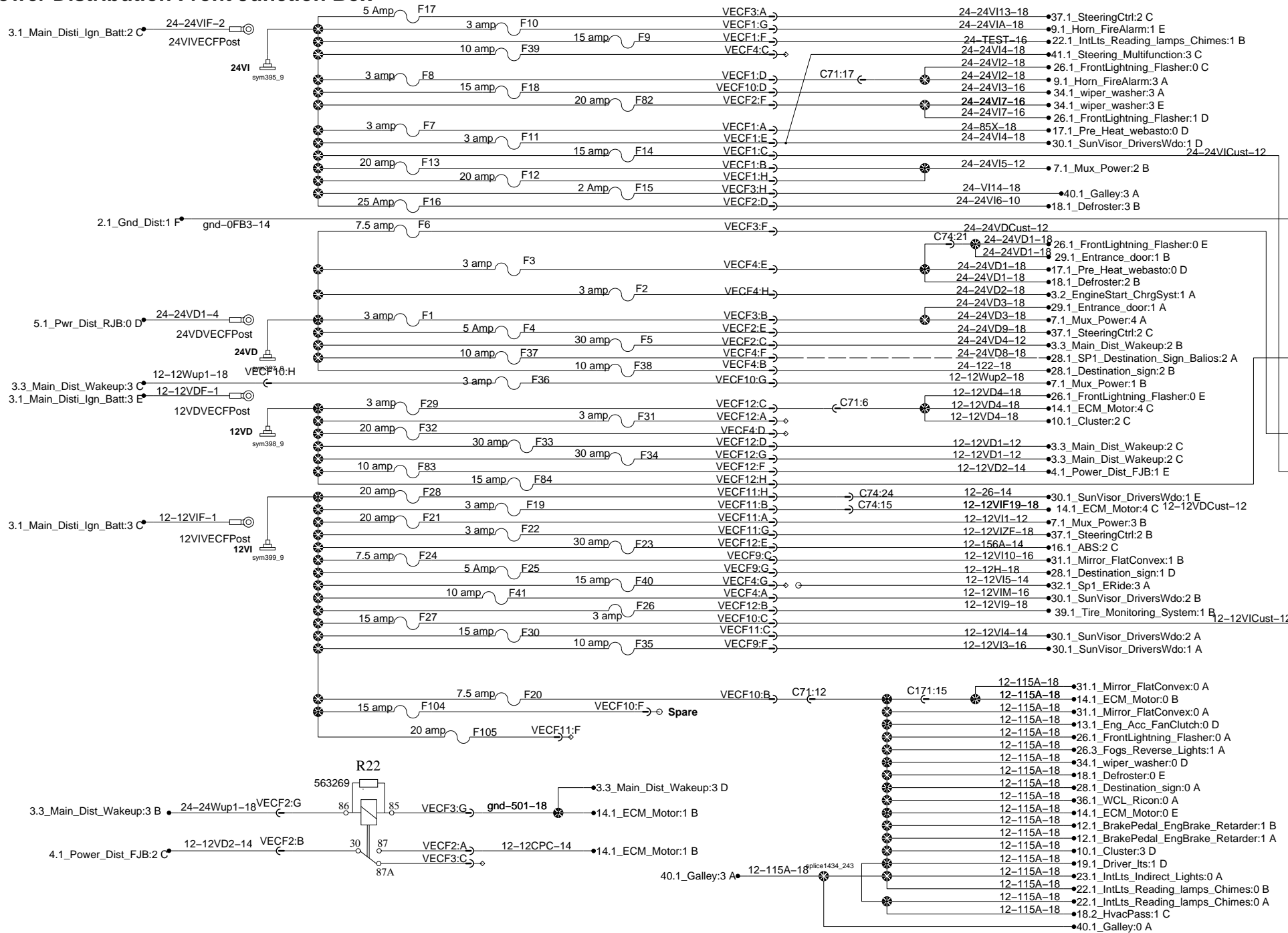
# Power Distribution Front Junction Box



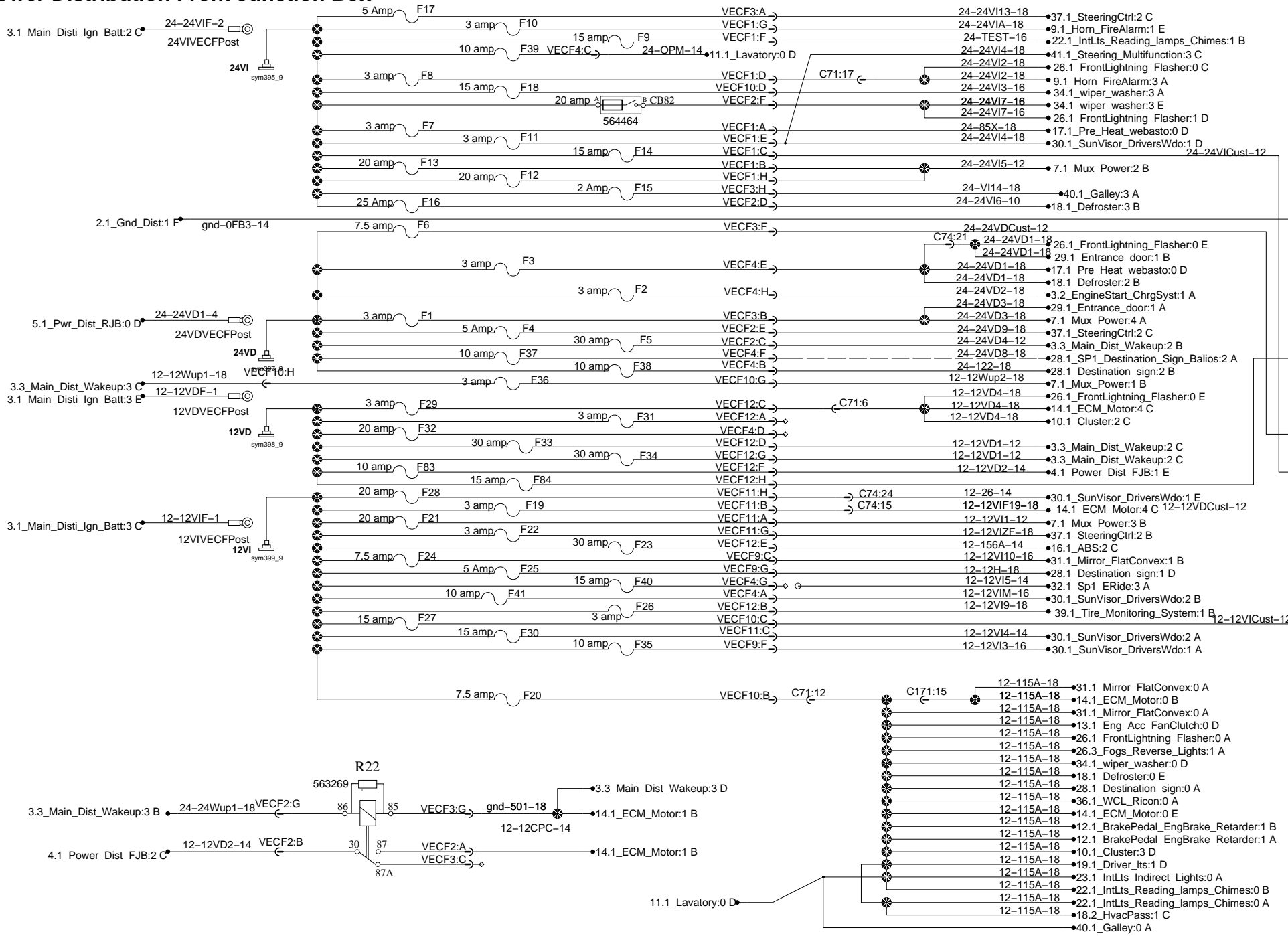
# Power Distribution Front Junction Box



# Power Distribution Front Junction Box

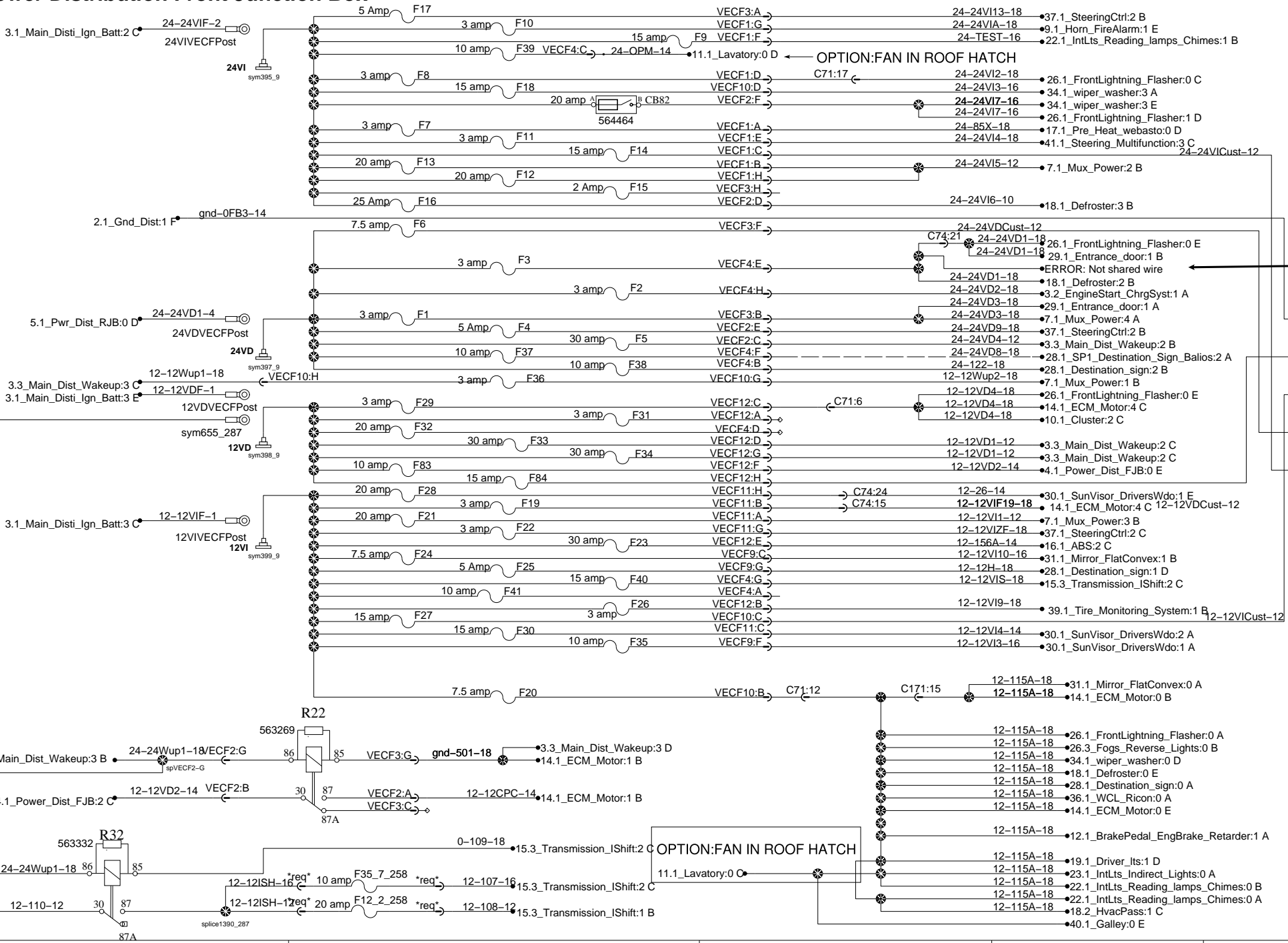


# Power Distribution Front Junction Box

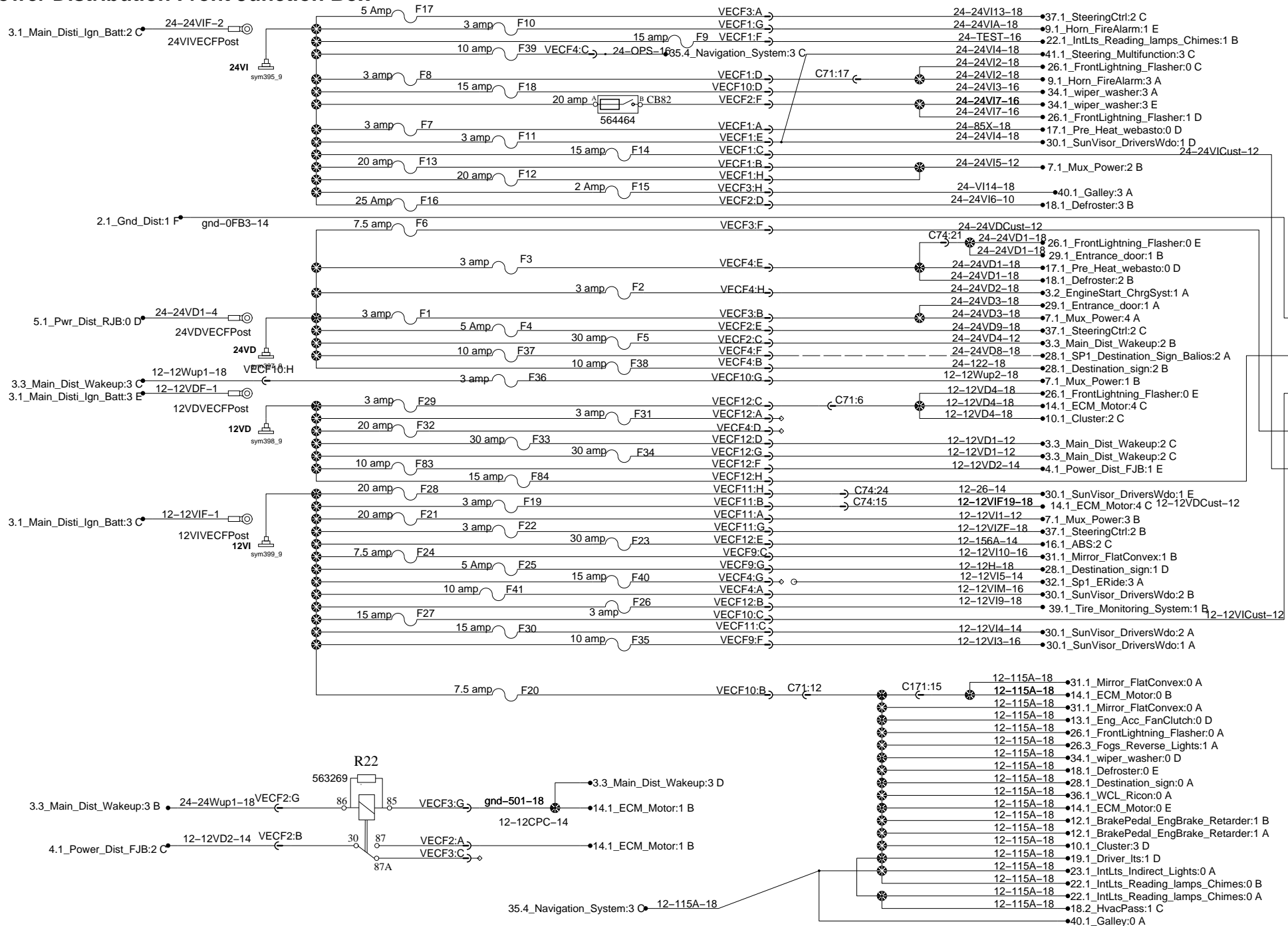


TermStpG1  
Cust12VDF  
Cust12VIF  
Cust24VDF  
Cust24VIF  
Power for Customer

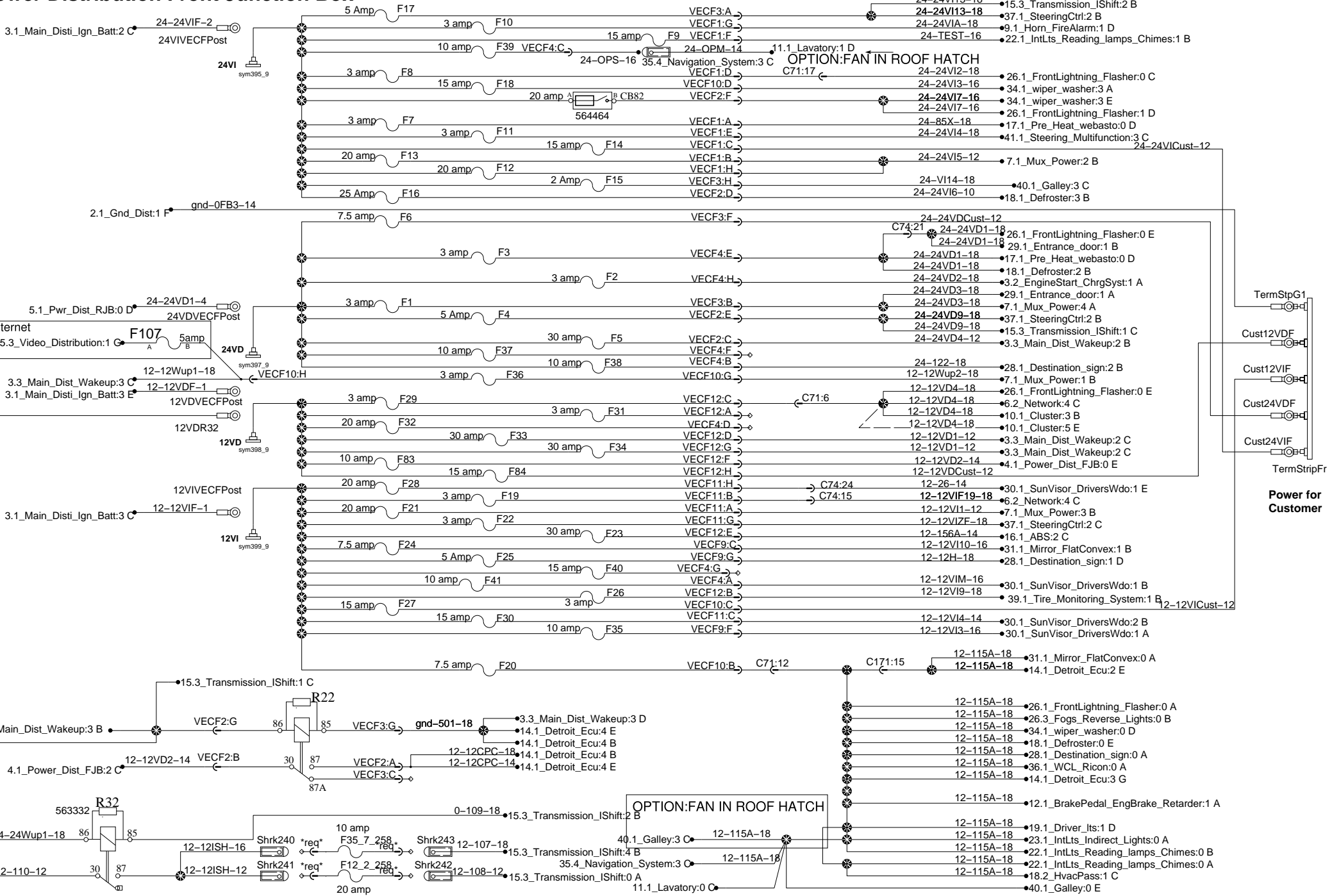
# Power Distribution Front Junction Box



# Power Distribution Front Junction Box

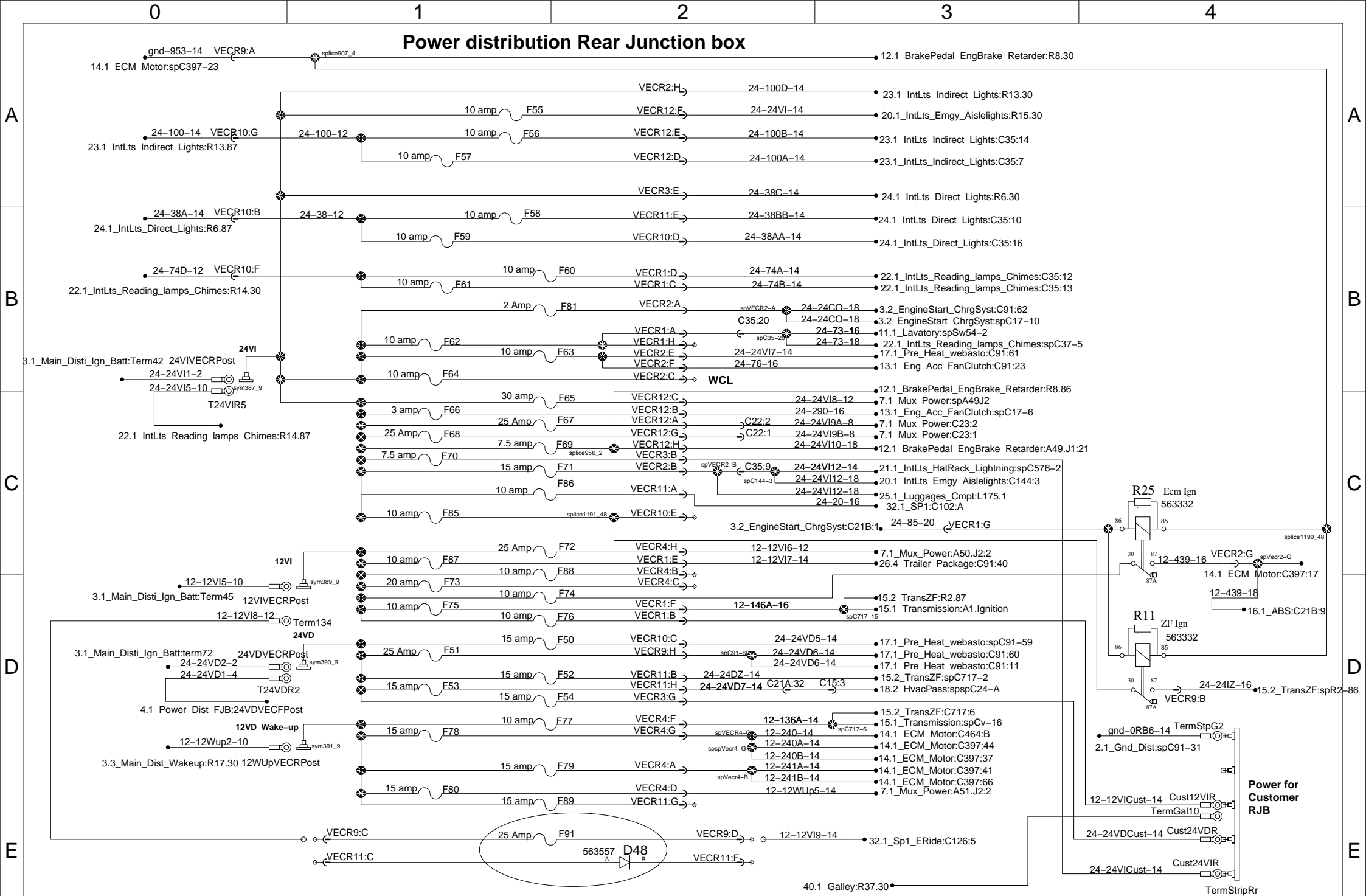


# Power Distribution Front Junction Box

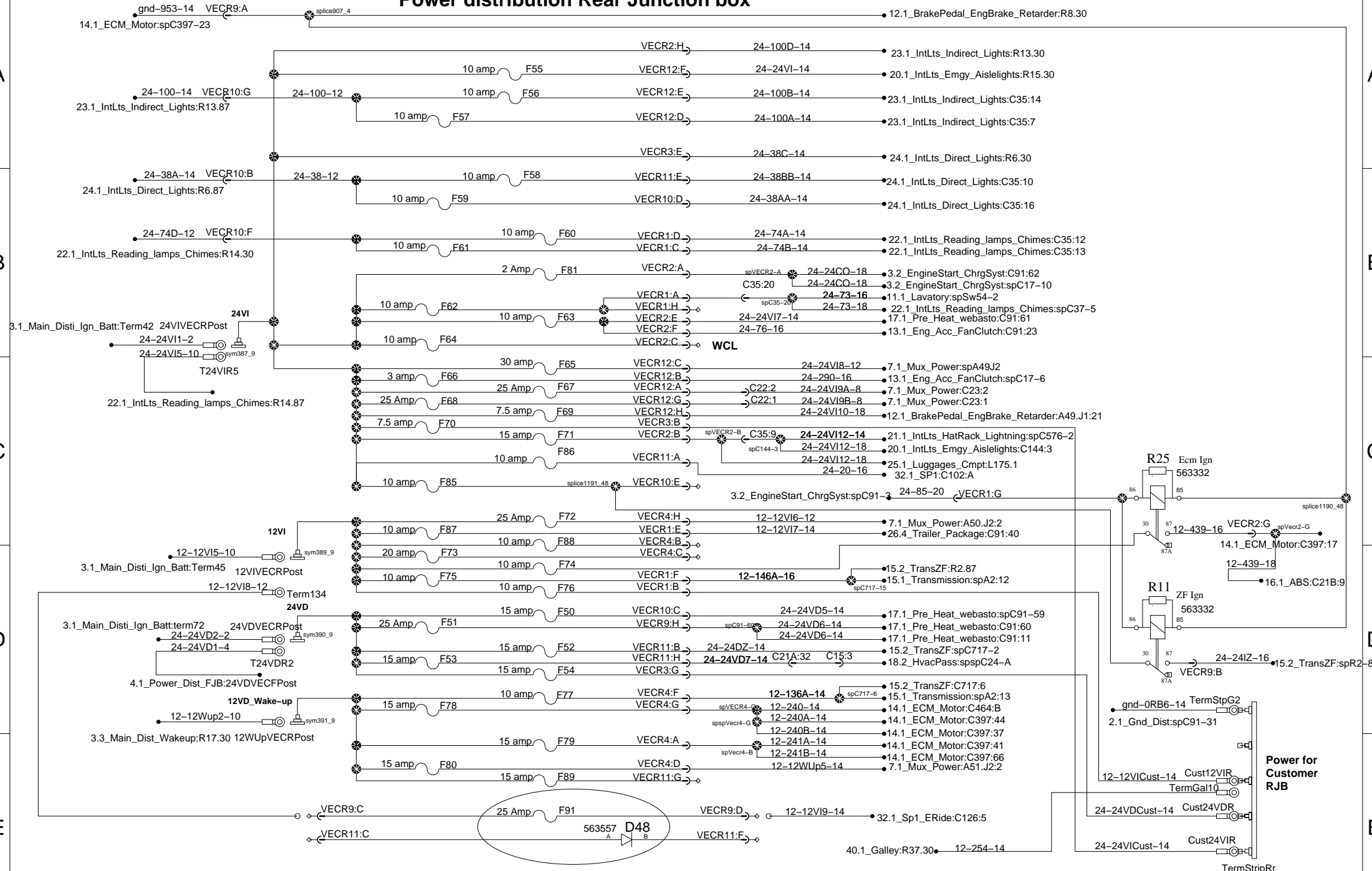




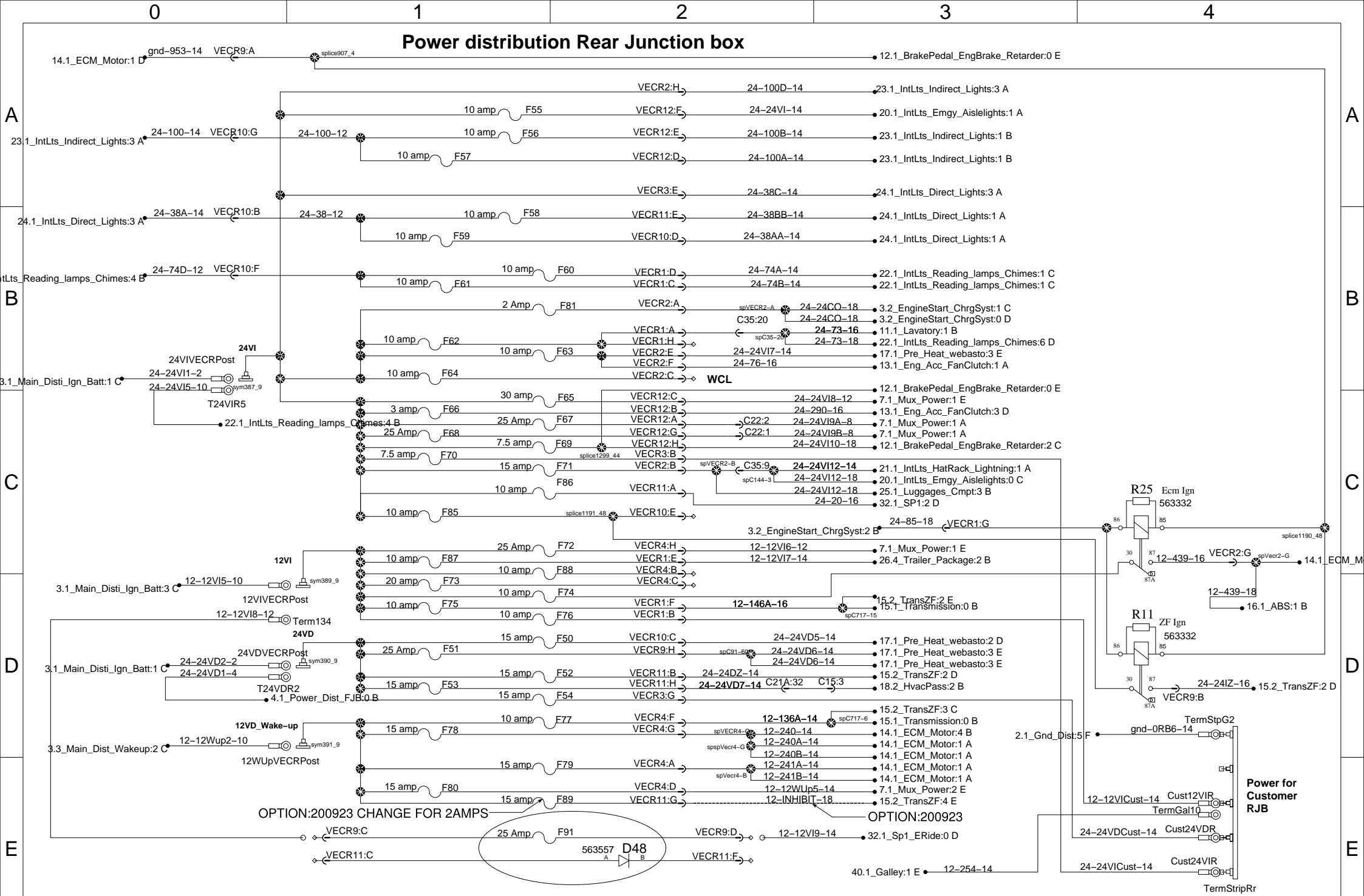
# Power distribution Rear Junction box



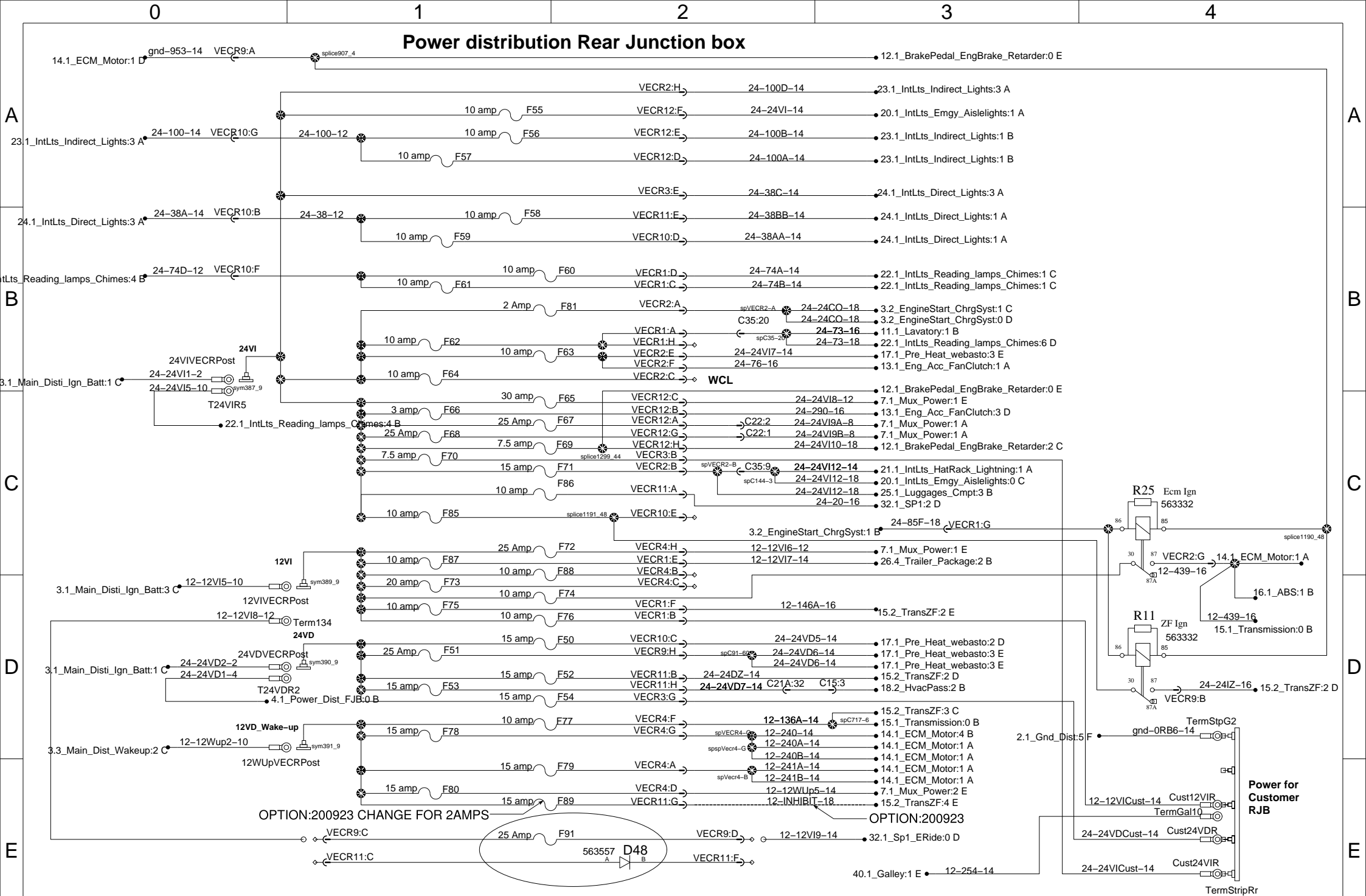
# Power distribution Rear Junction box



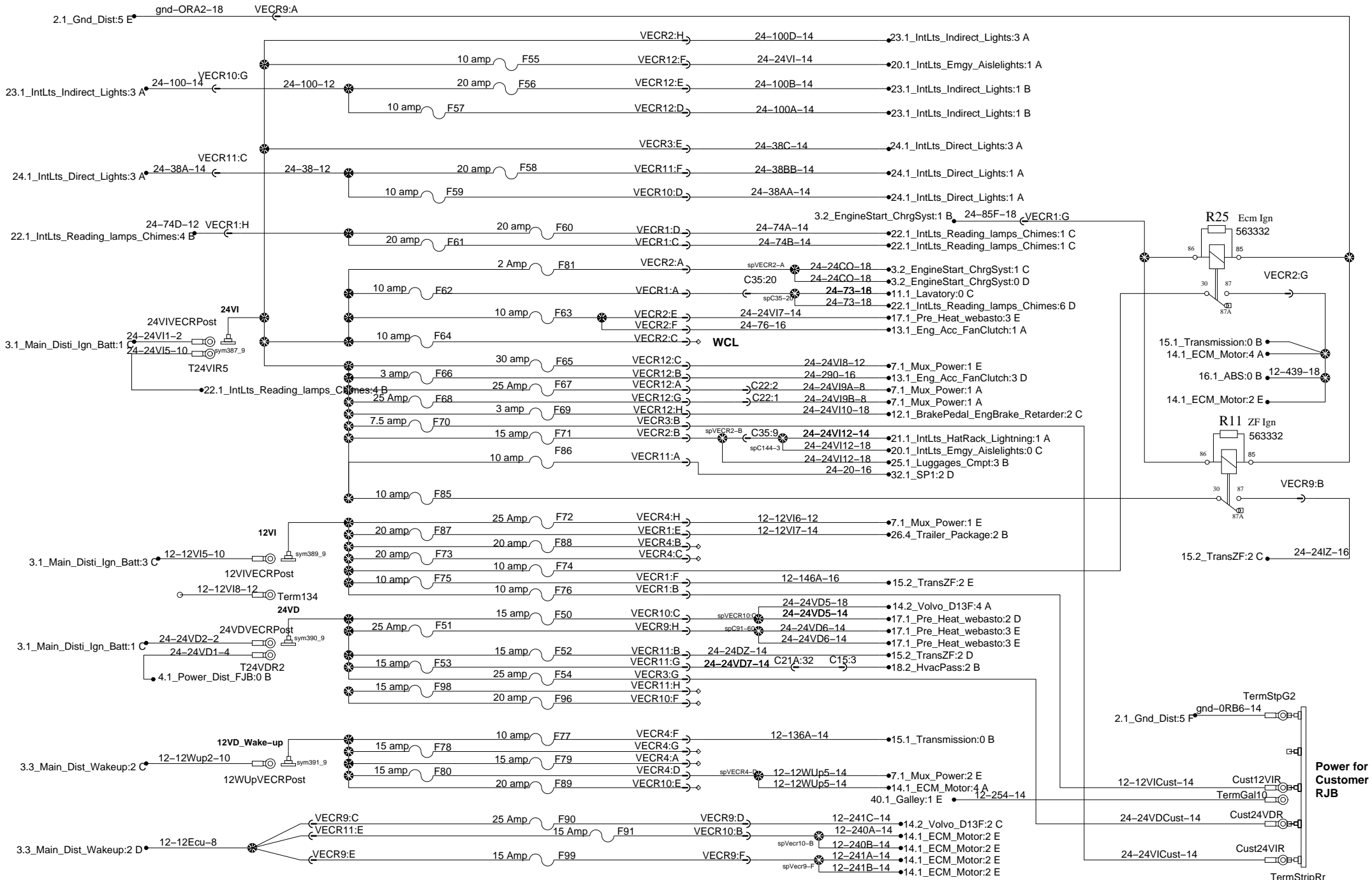
# Power distribution Rear Junction box



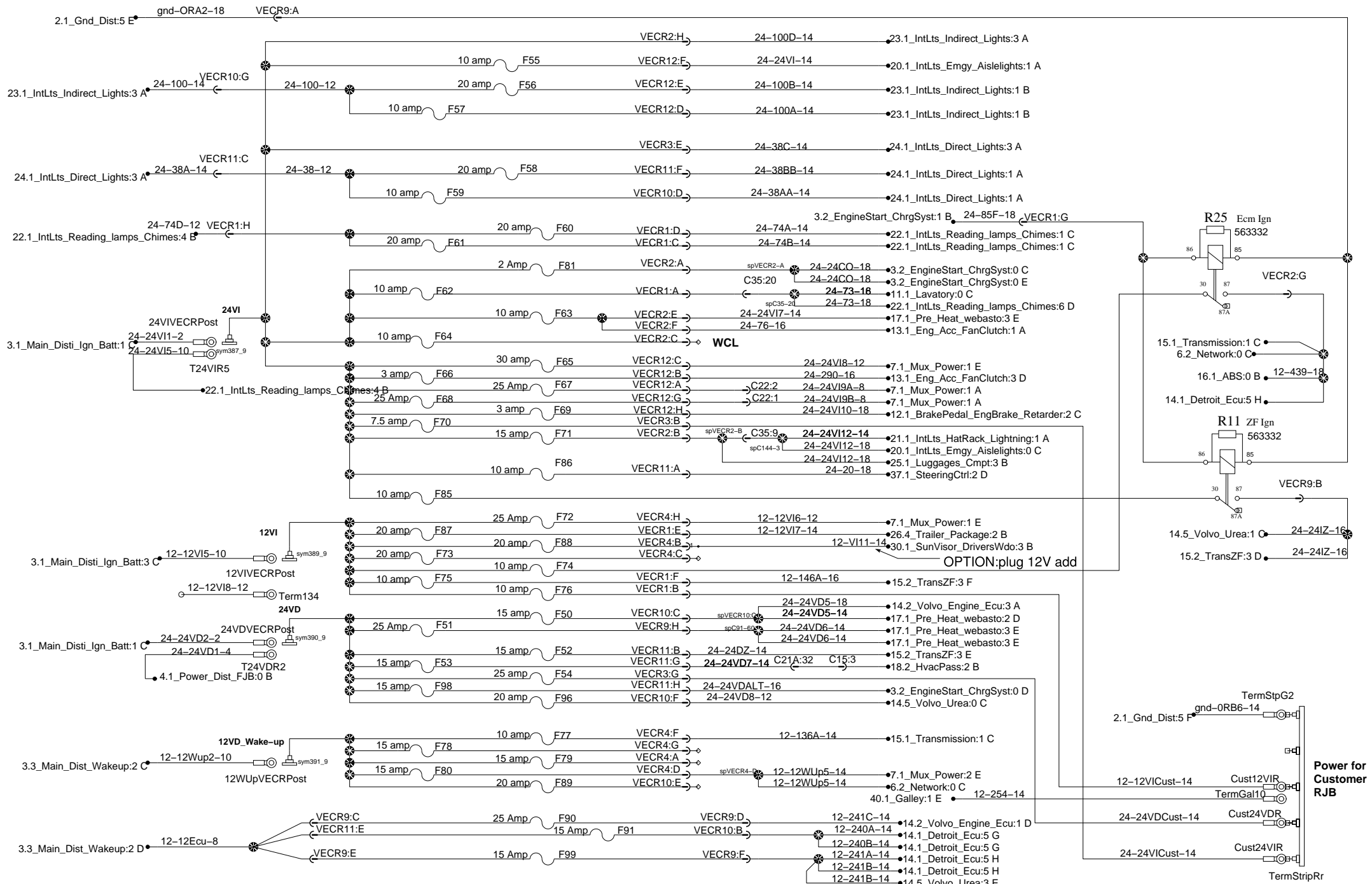
# Power distribution Rear Junction box



# Power distribution Rear Junction box

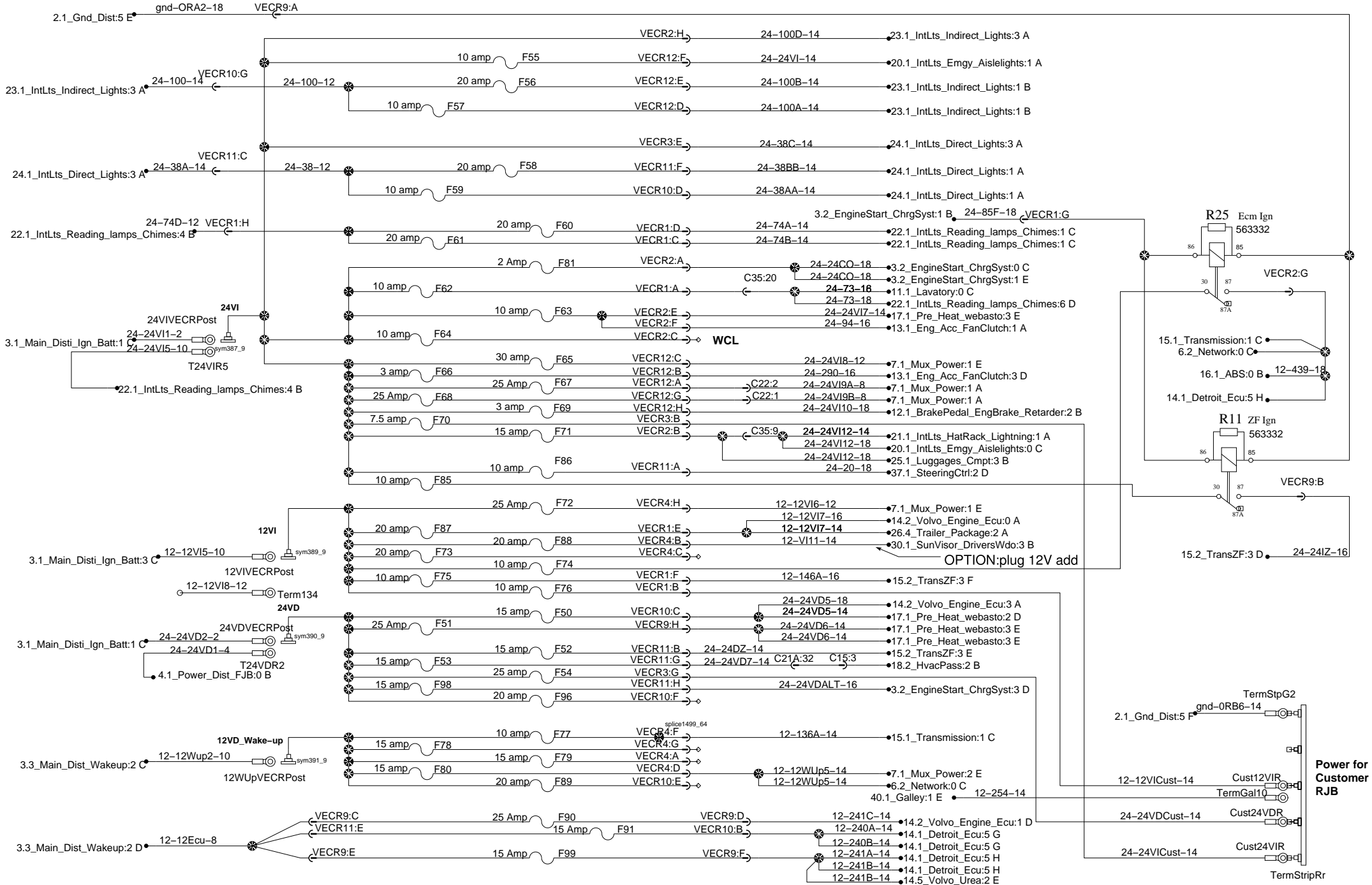


# Power distribution Rear Junction box



Power for Customer RJB

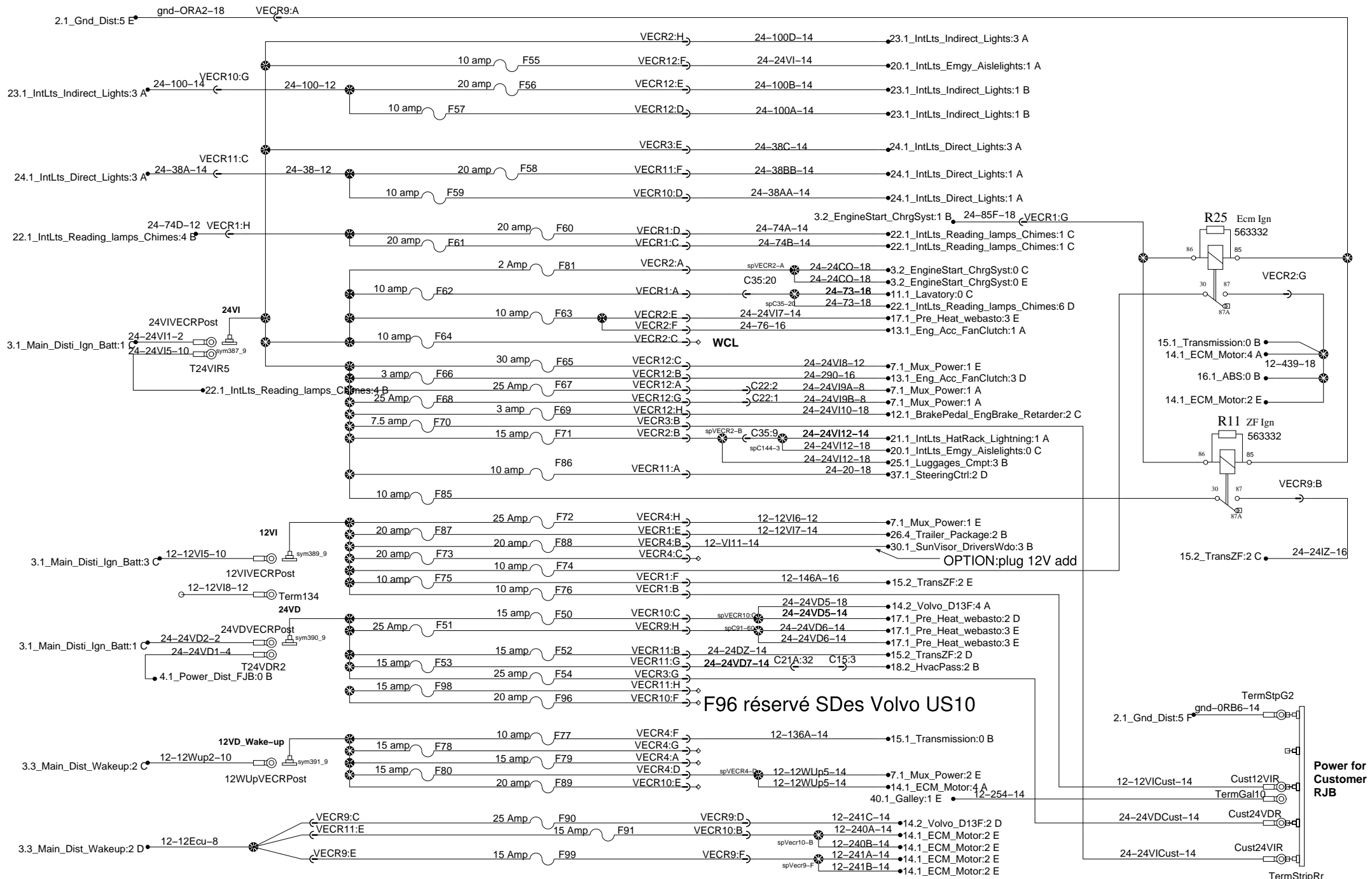
# Power distribution Rear Junction box





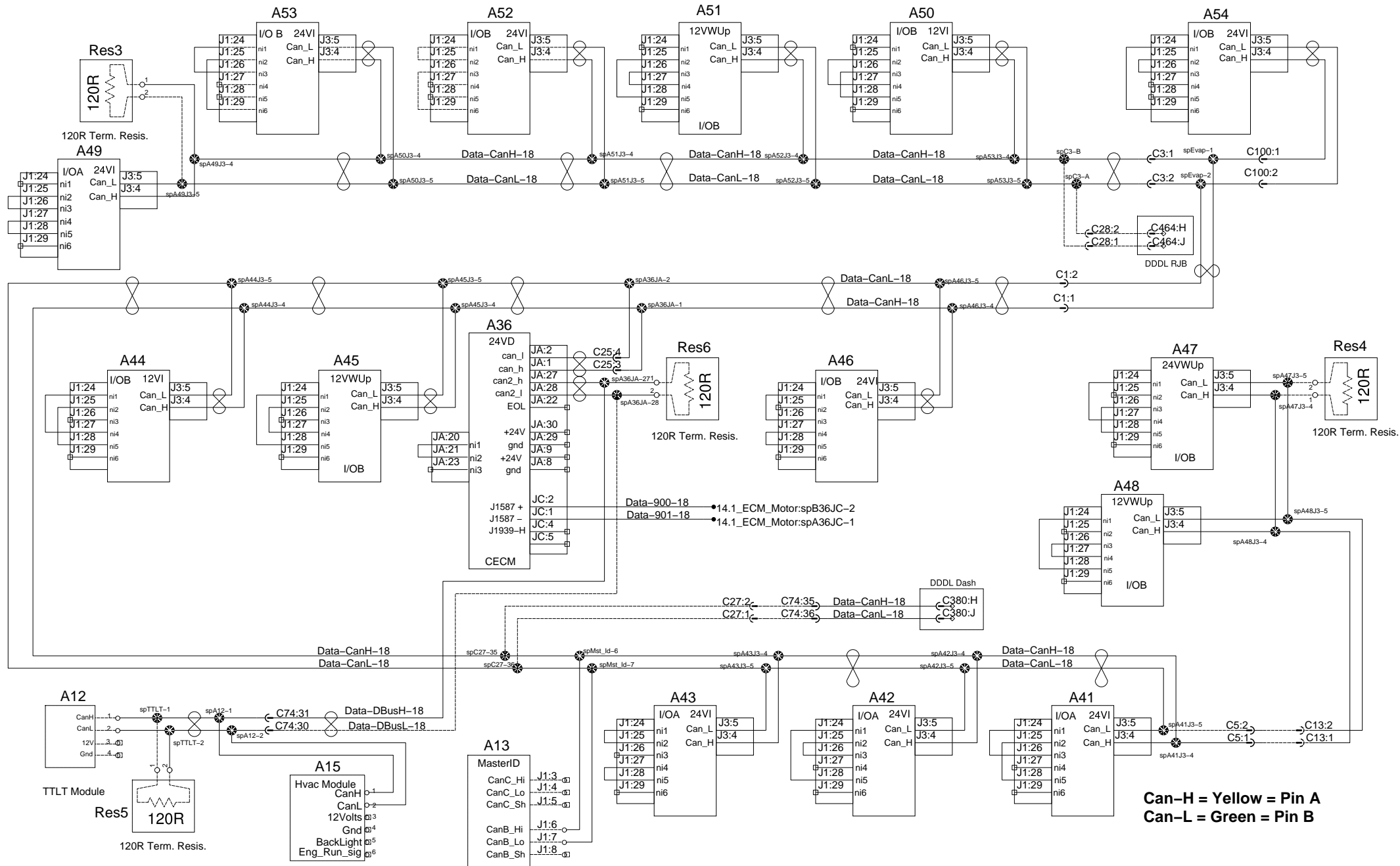


# Power distribution Rear Junction box

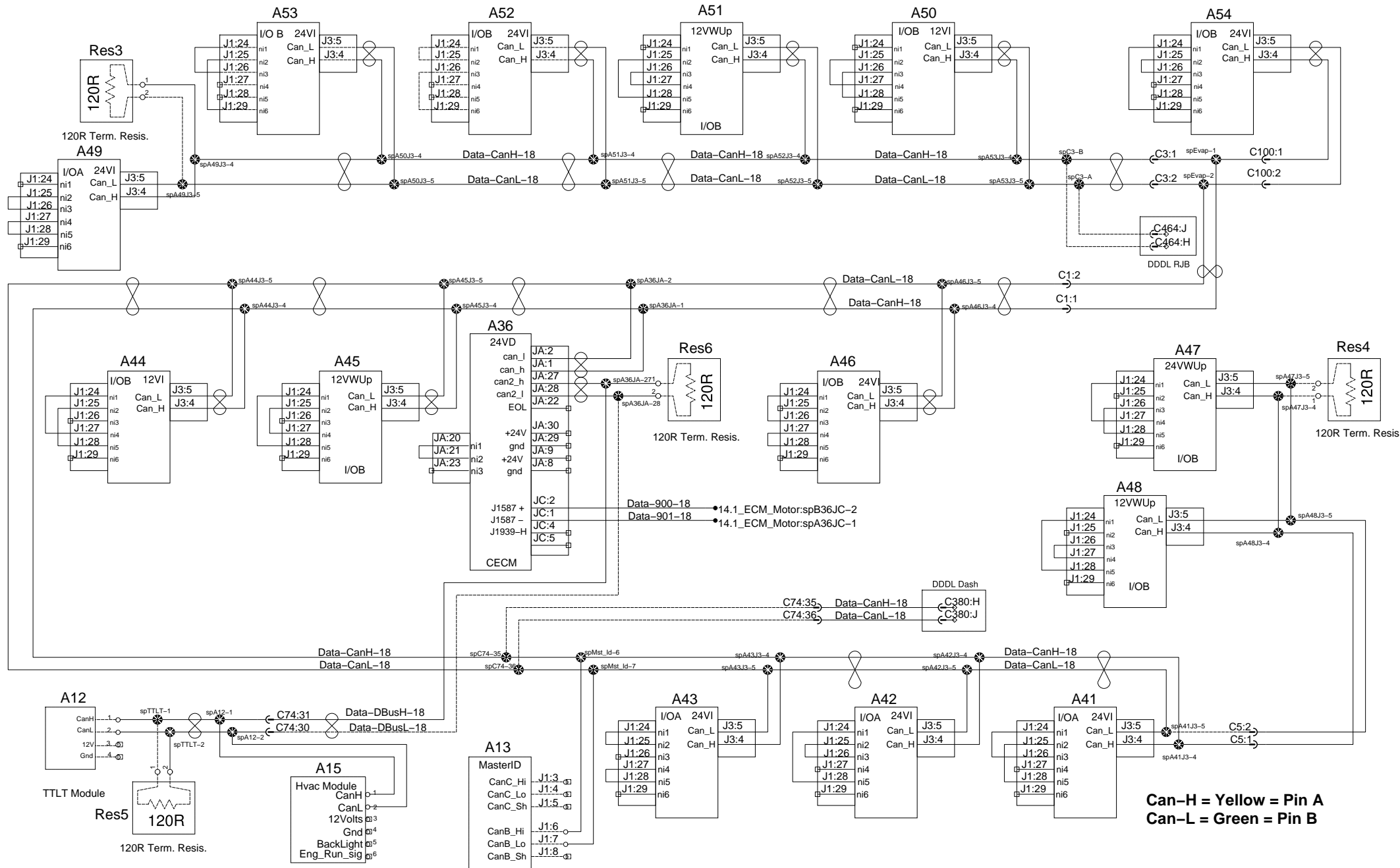


Power for Customer RJB

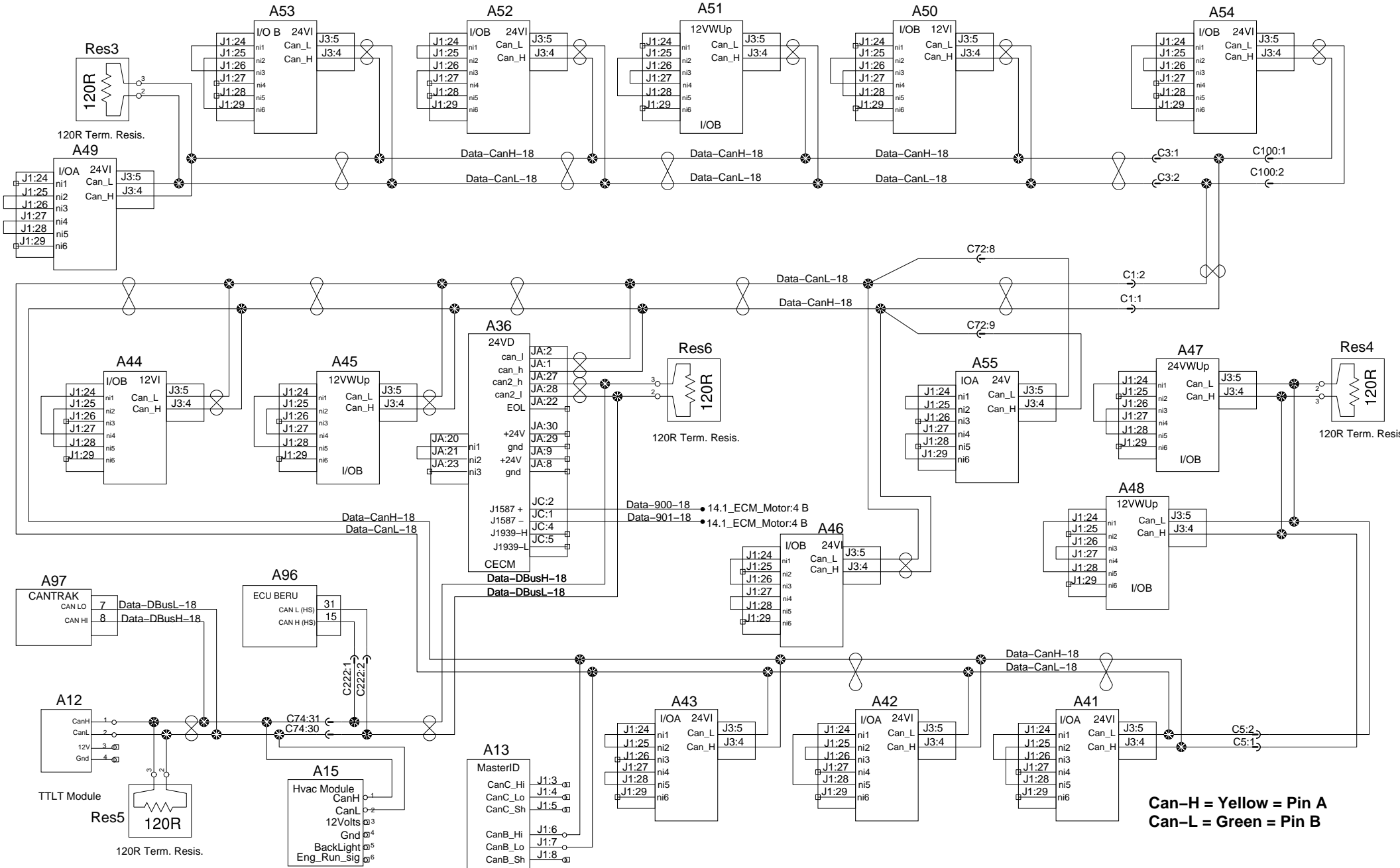
# Multiplex Can, J1587 Network and Addressing



# Multiplex Can, J1587 Network and Addressing

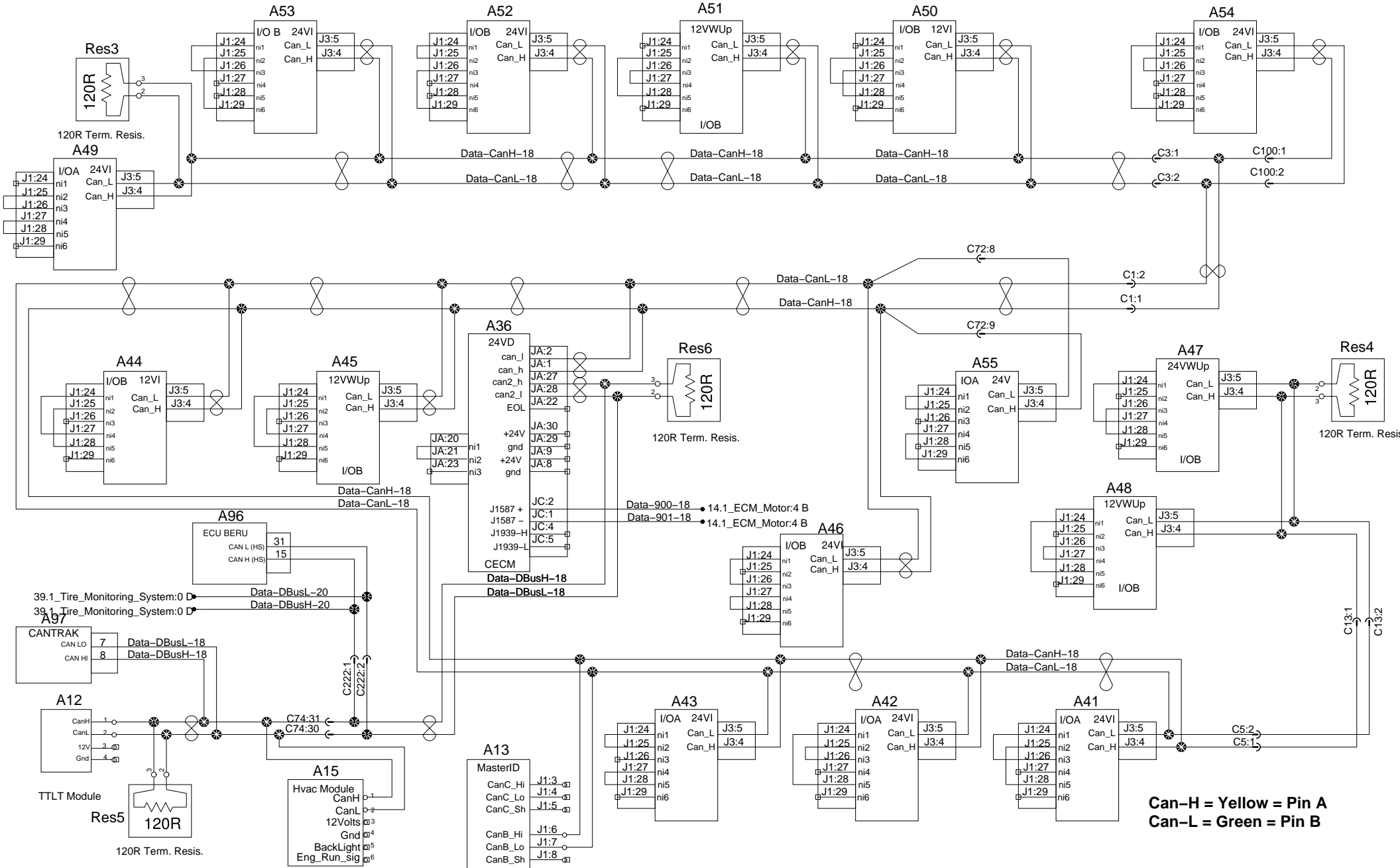


# Multiplex Can, J1587 Network and Addressing



Can-H = Yellow = Pin A  
 Can-L = Green = Pin B

# Multiplex Can, J1587 Network and Addressing



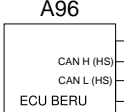
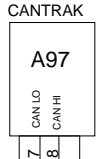
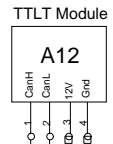
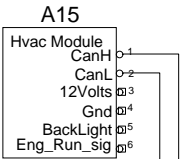
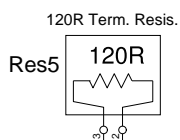
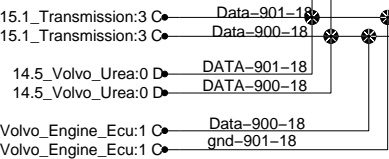
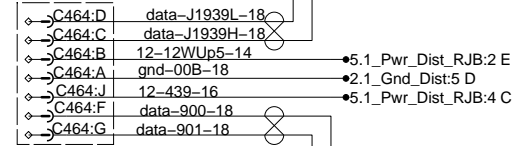
Can-H = Yellow = Pin A  
 Can-L = Green = Pin B

# J1939 and J1587 Networks

For Cummins Only  
Included in EMS  
for Volvo



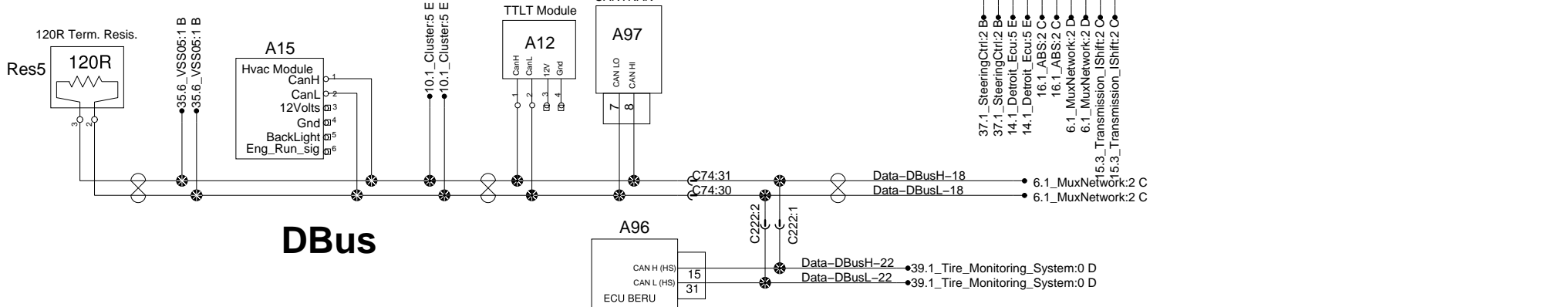
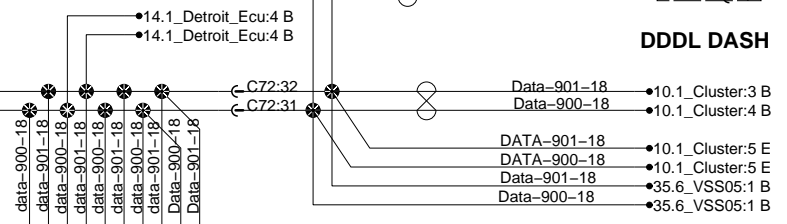
### DDDL RJB



## DBus

### J1587

### DDDL DASH

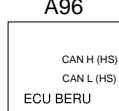
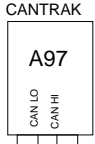
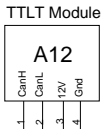
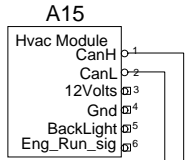
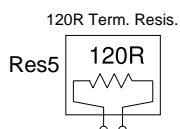
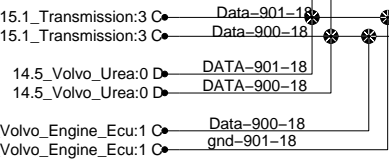
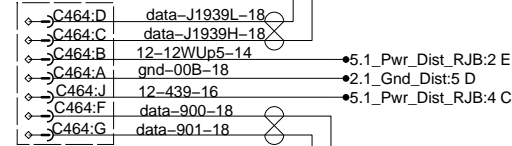


# J1939 and J1587 Networks

For Cummins Only  
Included in EMS  
for Volvo



### DDDL RJB



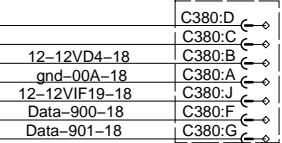
## DBus

### J1939

### J1587



### DDDL DASH

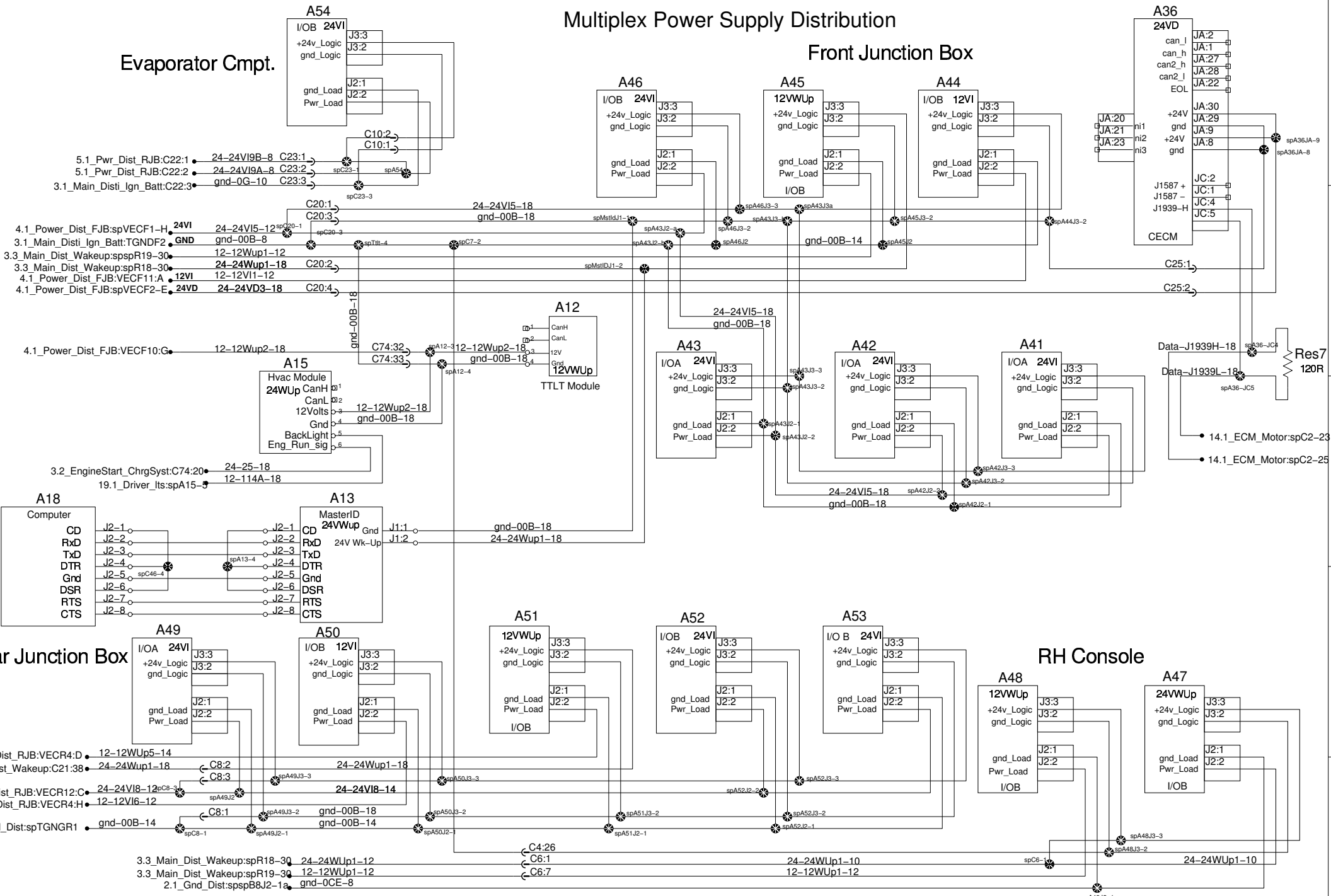


# Multiplex Power Supply Distribution

## Evaporator Cmpt.

## Front Junction Box

## A36

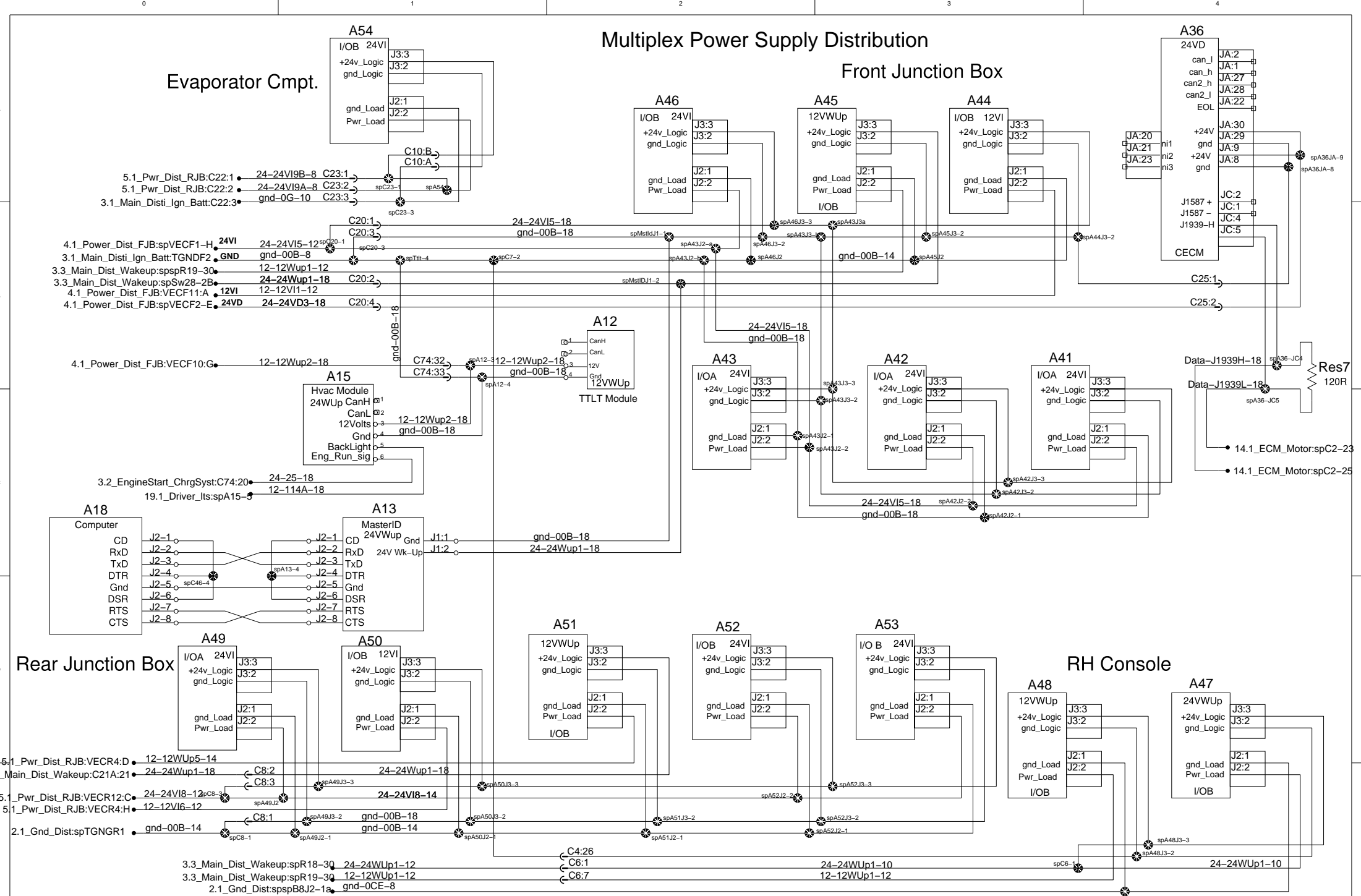
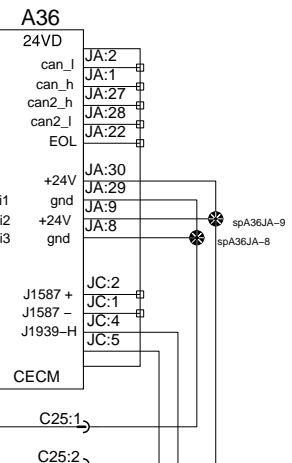




# Multiplex Power Supply Distribution

## Evaporator Cmpt.

## Front Junction Box

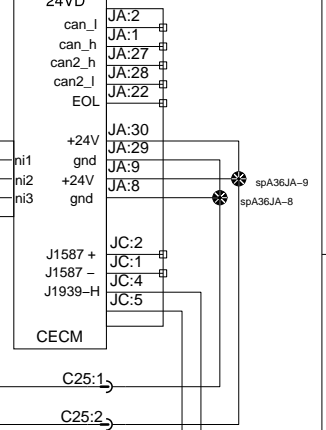


# Multiplex Power Supply Distribution

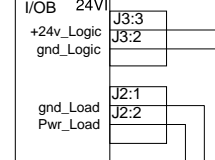
## Evaporator Cmpt.

## Front Junction Box

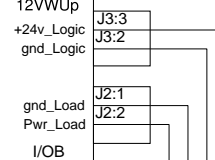
A36



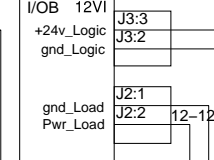
A46



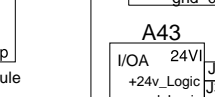
A45



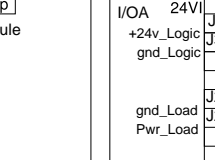
A44



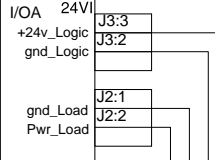
A12



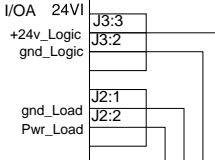
A43



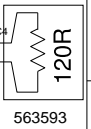
A42



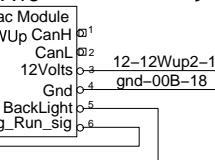
A41



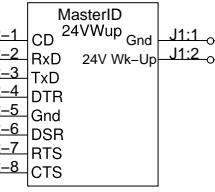
Res7



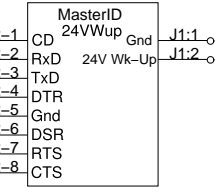
A15



A18



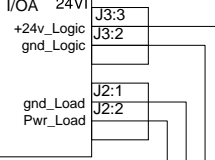
A13



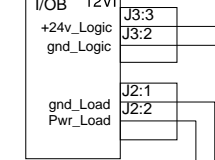
## Rear Junction Box

## RH Console

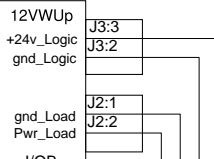
A49



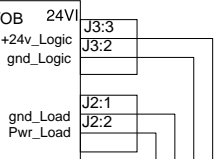
A50



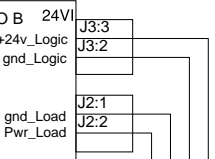
A51



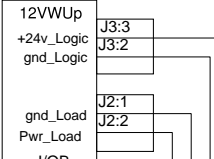
A52



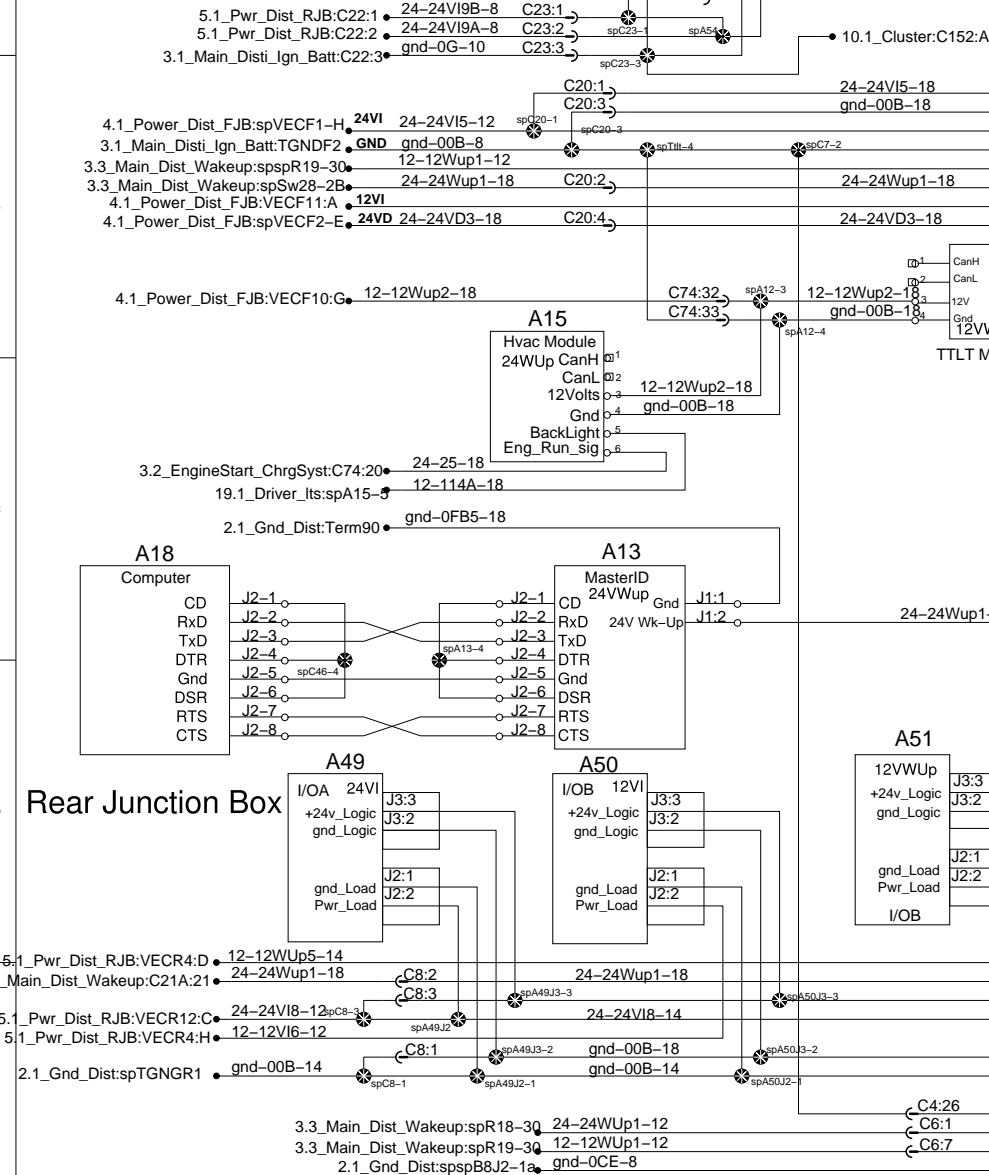
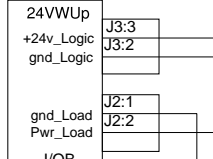
A53



A48



A47



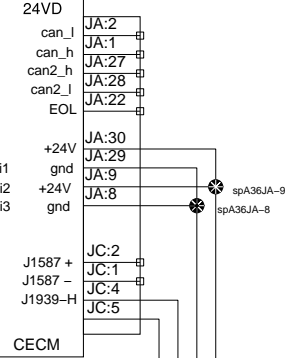


# Evaporator Cmpt.

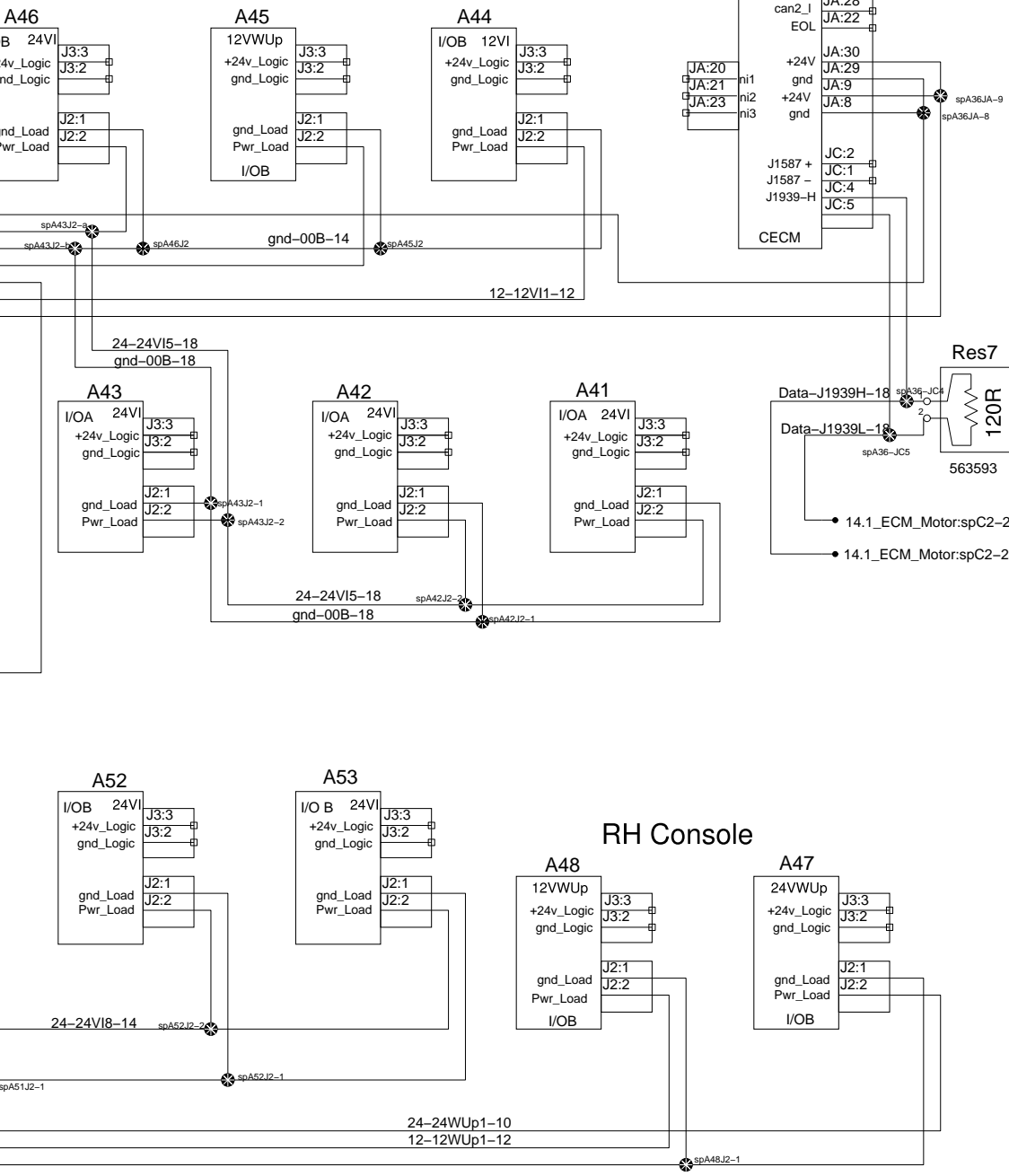
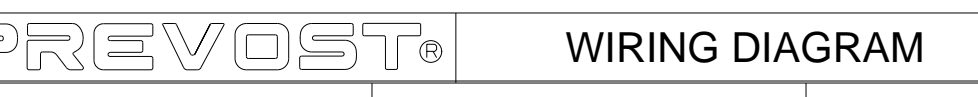
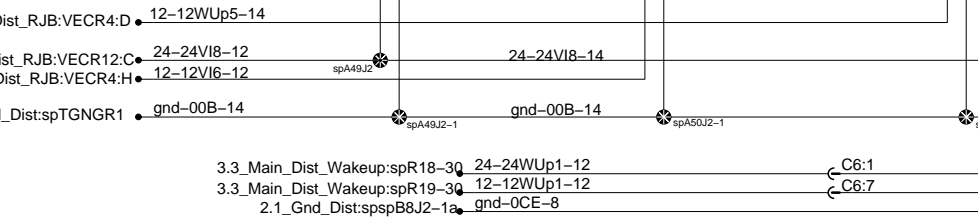
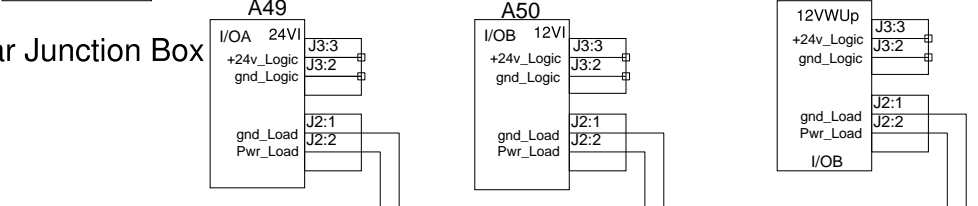
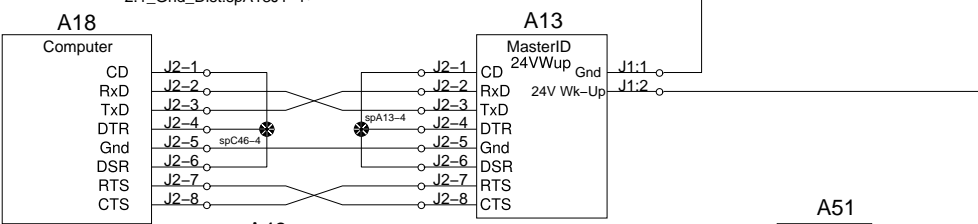
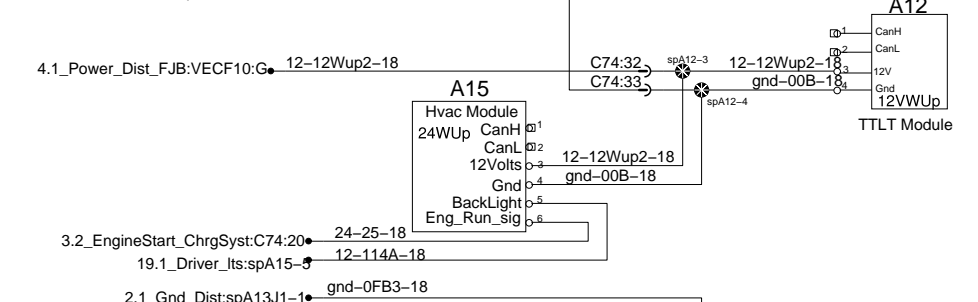
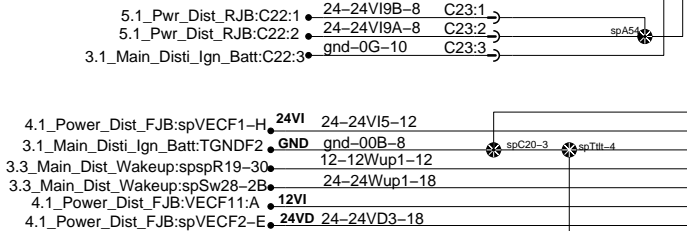
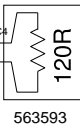
# Multiplex Power Supply Distribution

# Front Junction Box

# A36



# Res7

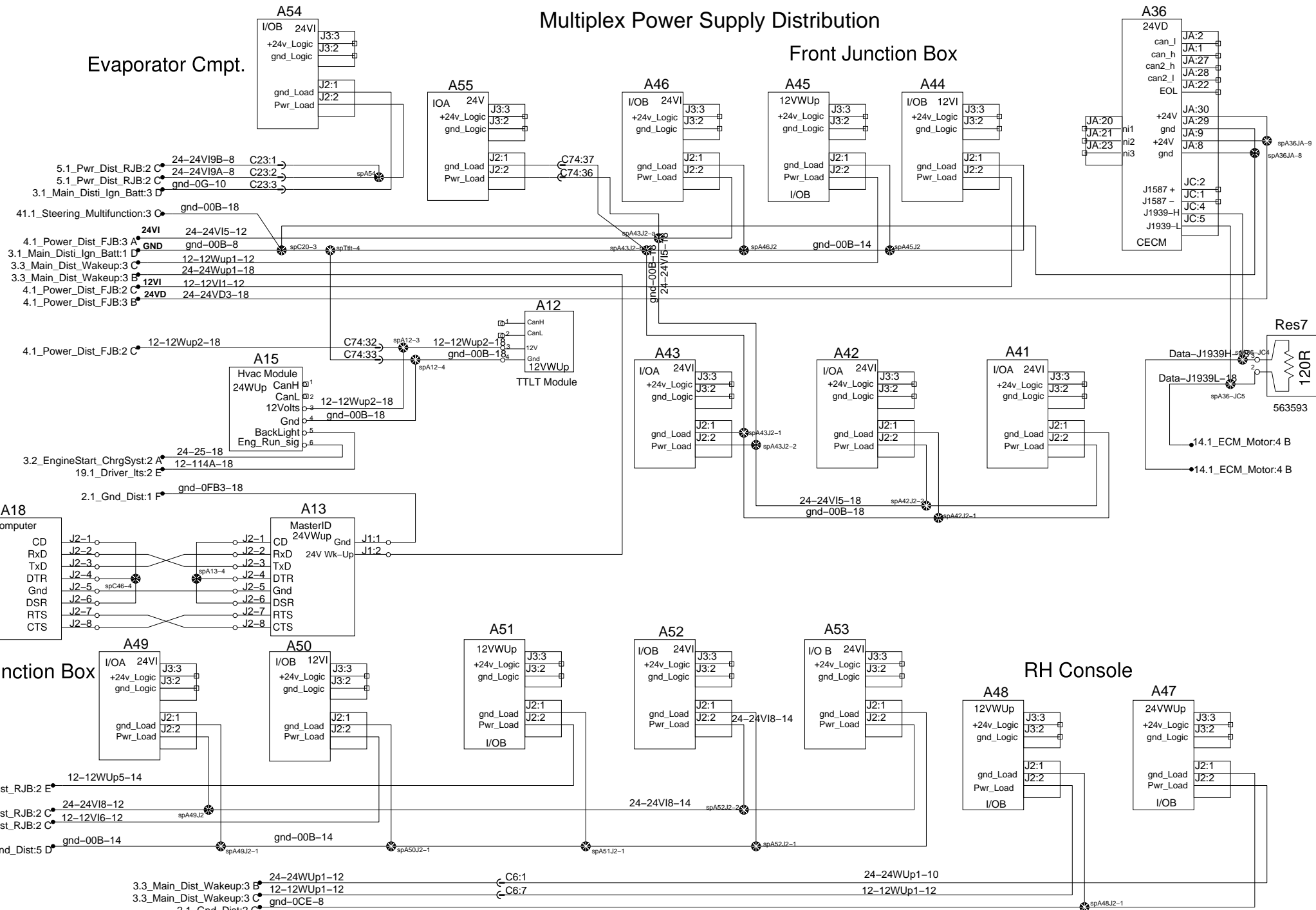


# Multiplex Power Supply Distribution

## Evaporator Cmpt.

## Front Junction Box

A36

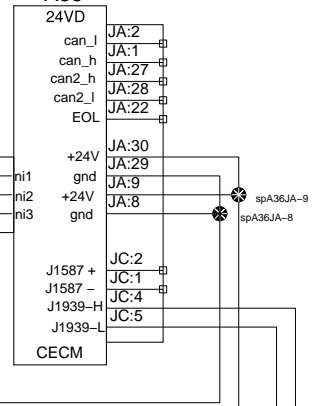


# Multiplex Power Supply Distribution

## Evaporator Cmpt.

## Front Junction Box

A36



6.2\_Network:3 B data-J1939L-18  
6.2\_Network:3 B data-J1939H-18

**OPTION KNEELED  
2H/SW A OFF**  
24-24Wup1-18 • 3.3\_Main\_Dist\_Wakeup:3 A

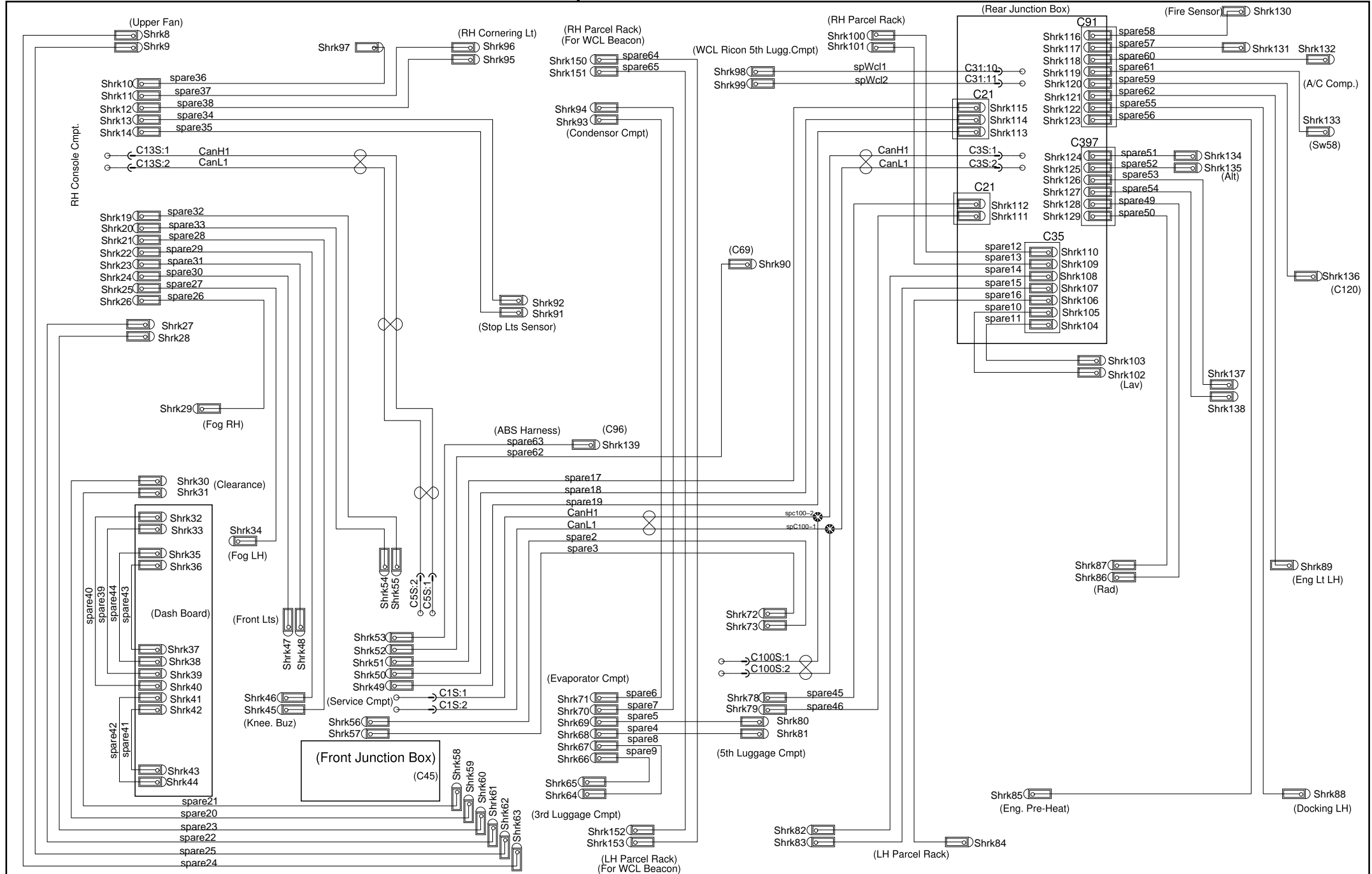
- 5.1\_Pwr\_Dist\_RJB:2 C 24-24VI9B-8 C23:1
- 5.1\_Pwr\_Dist\_RJB:2 C 24-24VI9A-8 C23:2
- 3.1\_Main\_Disti\_Ign\_Batt:3 C gnd-0G-10 C23:3
- 41.1\_Steering\_Multifunction:3 C gnd-00B-18
- 4.1\_Power\_Dist\_FJB:3 A 24VI 24-24VI5-12
- 3.1\_Main\_Disti\_Ign\_Batt:1 D GND gnd-00B-8
- 3.3\_Main\_Dist\_Wakeup:3 C 12-12Wup1-12
- 3.3\_Main\_Dist\_Wakeup:3 B 24-24Wup1-18
- 4.1\_Power\_Dist\_FJB:2 C 12VI 12-12VI1-12
- 4.1\_Power\_Dist\_FJB:3 B 24VD 24-24VD3-18

## Rear Junction Box

## RH Console

- 5.1\_Pwr\_Dist\_RJB:2 E 12-12Wup5-14
- 5.1\_Pwr\_Dist\_RJB:2 C 24-24VI8-12
- 5.1\_Pwr\_Dist\_RJB:2 C 12-12VI6-12
- 2.1\_Gnd\_Dist:5 D gnd-00B-14
- 3.3\_Main\_Dist\_Wakeup:3 B 24-24Wup1-12
- 3.3\_Main\_Dist\_Wakeup:3 C 12-12Wup1-12
- 2.1\_Gnd\_Dist:2 G gnd-0CE-8

# Spare Wires

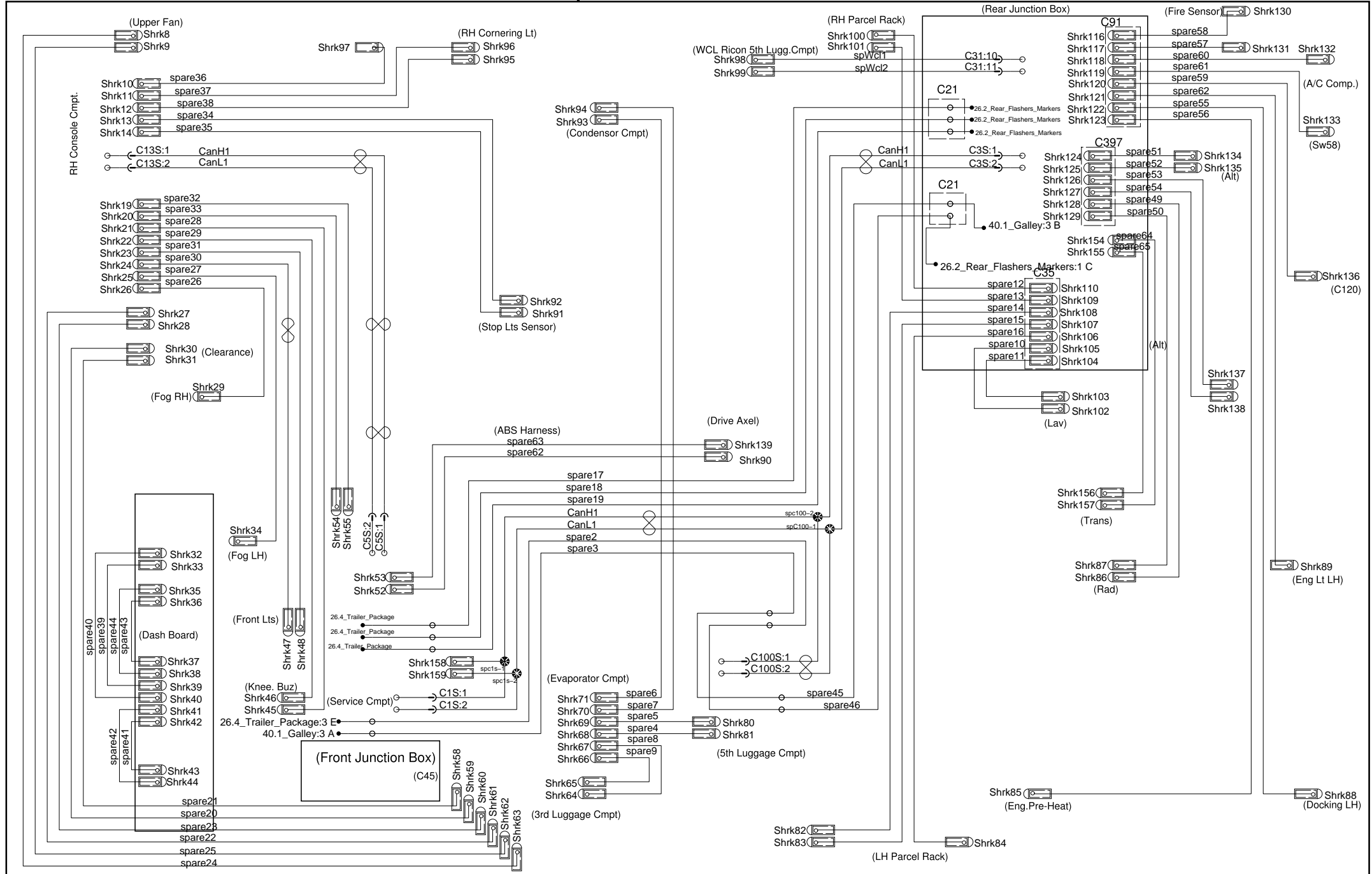




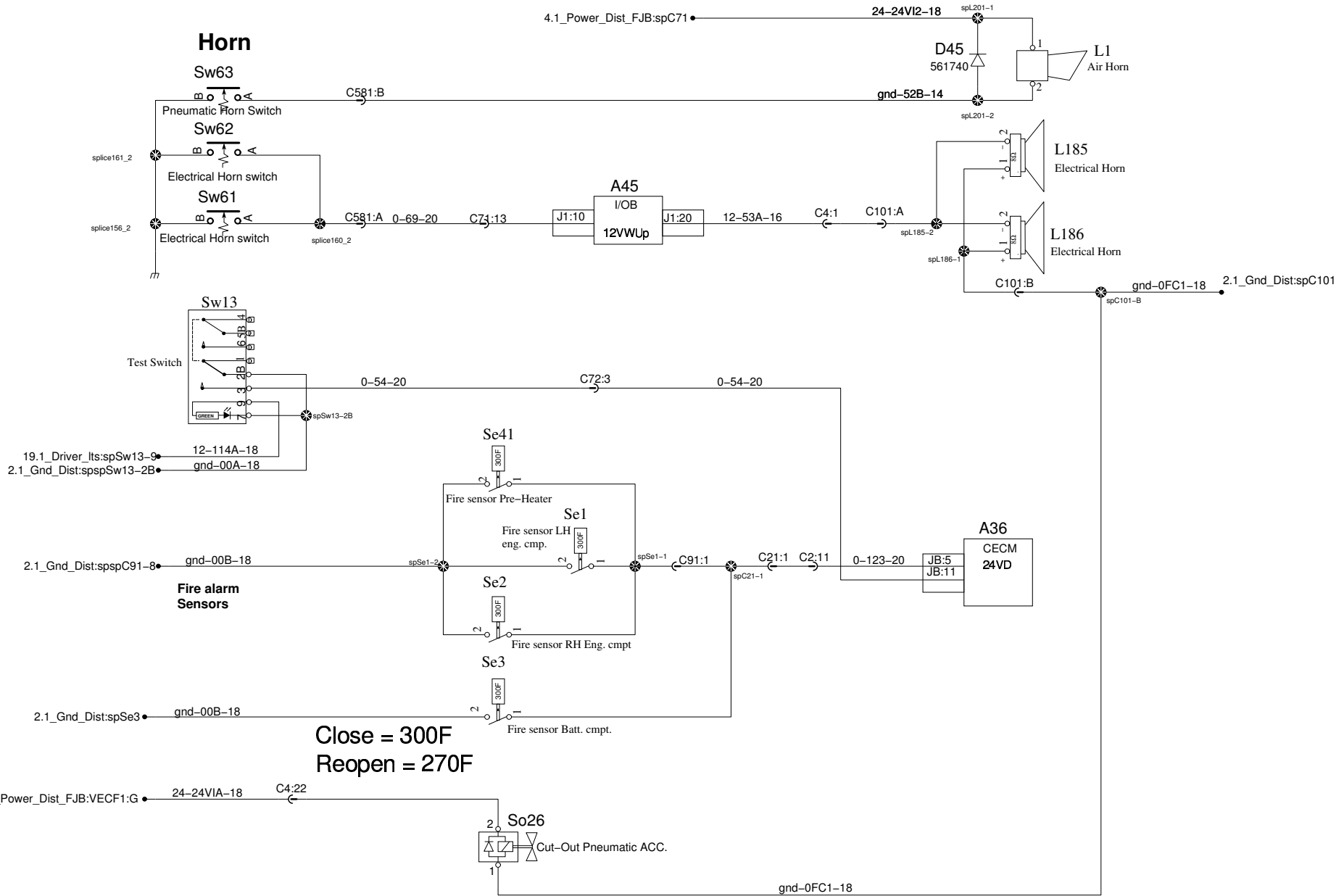




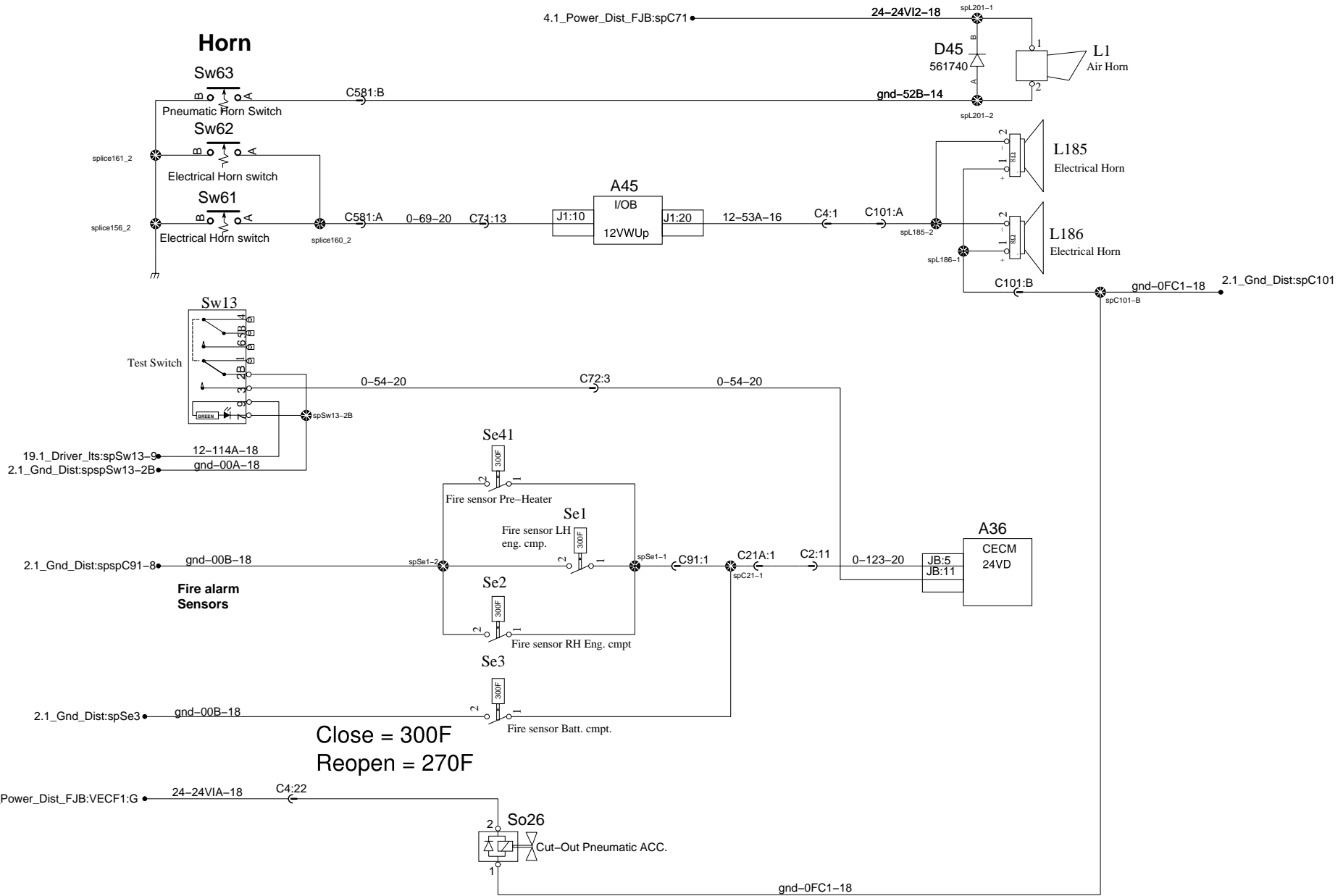
# Spare Wires



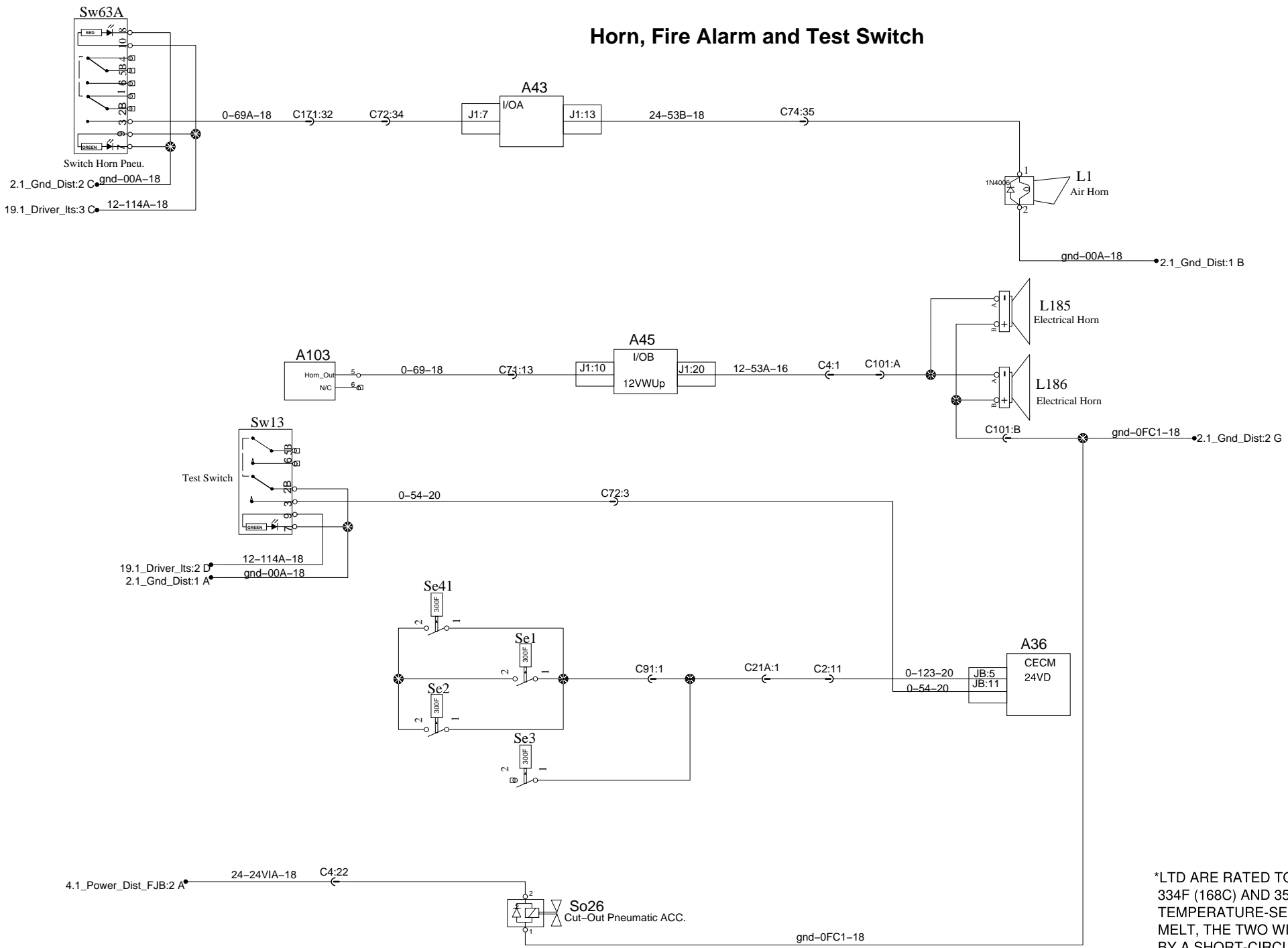
# Horn, Fire Alarm and Test Switch



# Horn, Fire Alarm and Test Switch

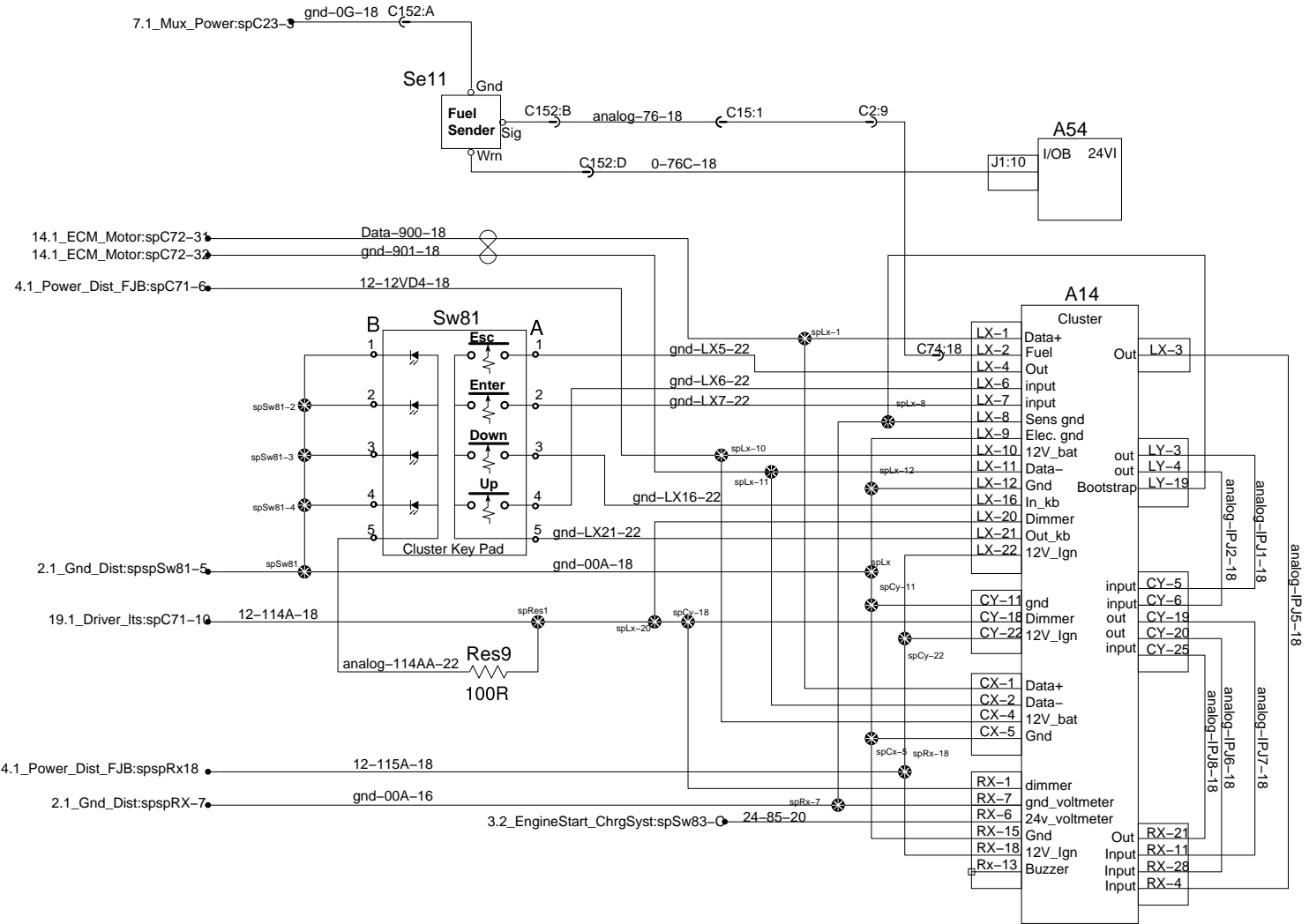


# Horn, Fire Alarm and Test Switch

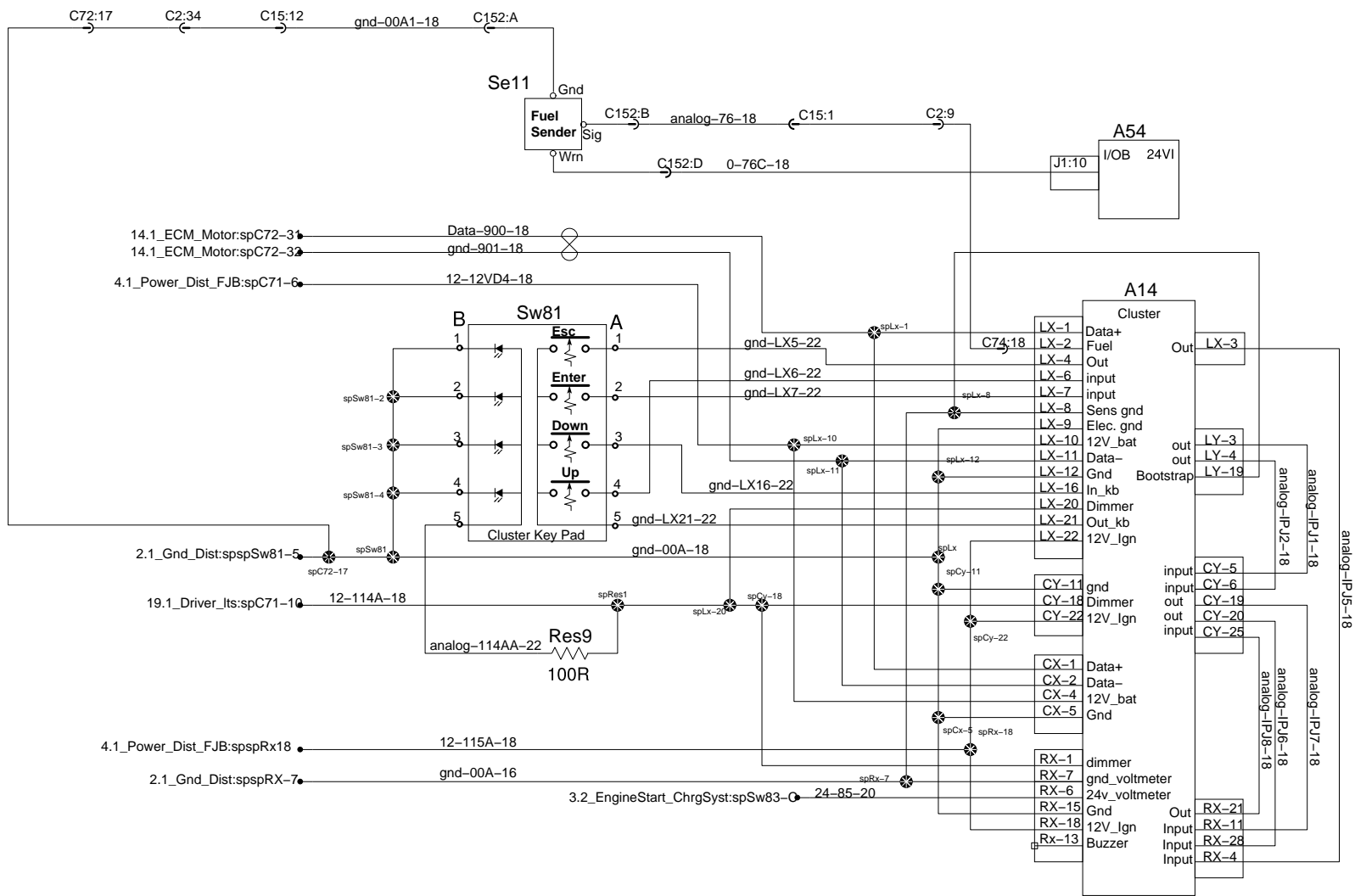


\*LTD ARE RATED TO ALARM BETWEEN 334F (168C) AND 356F (180C), IF THE TEMPERATURE-SENSITIVE INSULATION MELT, THE TWO WIRES GIVE A SIGNAL BY A SHORT-CIRCUITING.

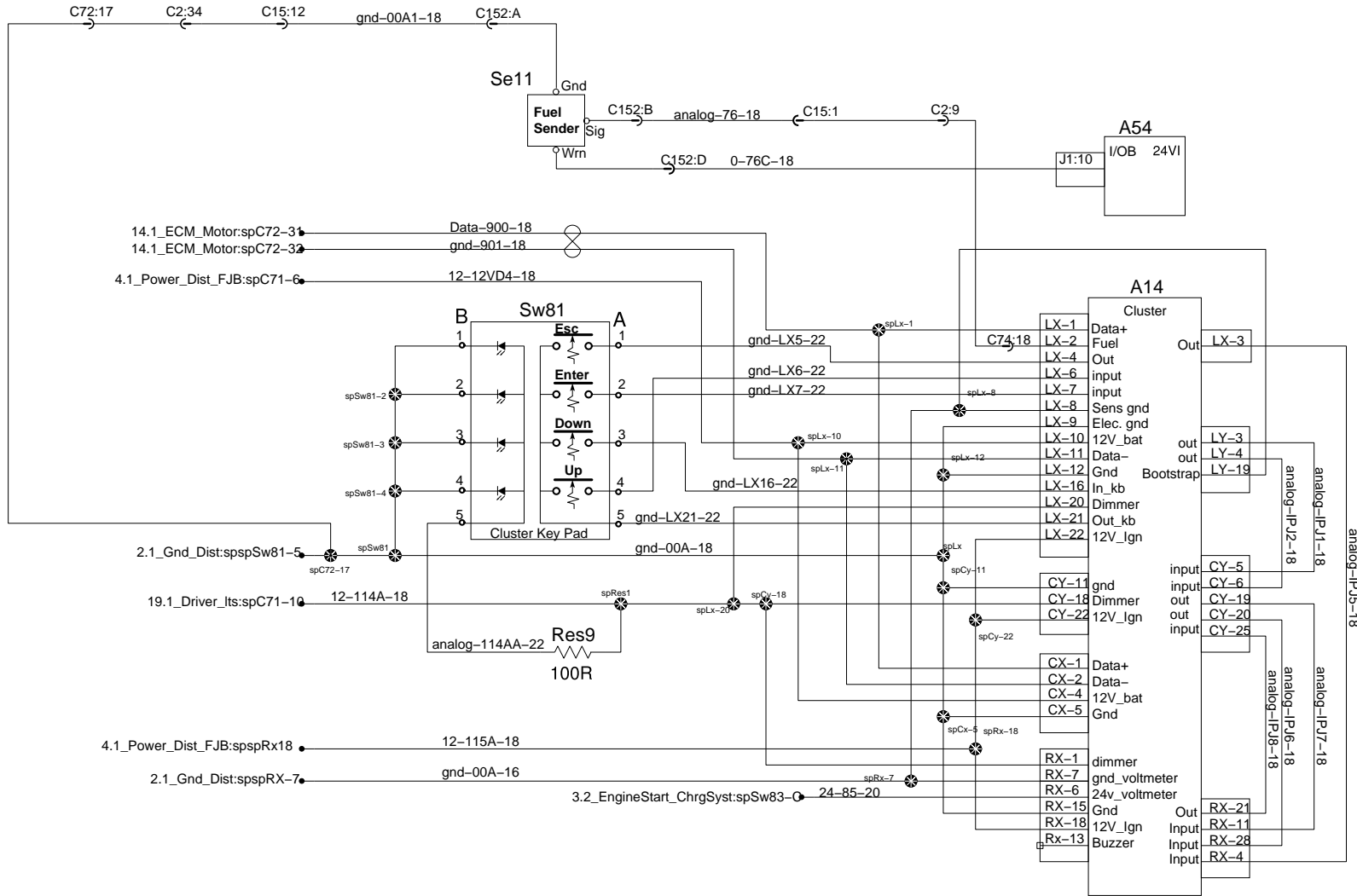
# Cluster Pollak



# Cluster Pollak

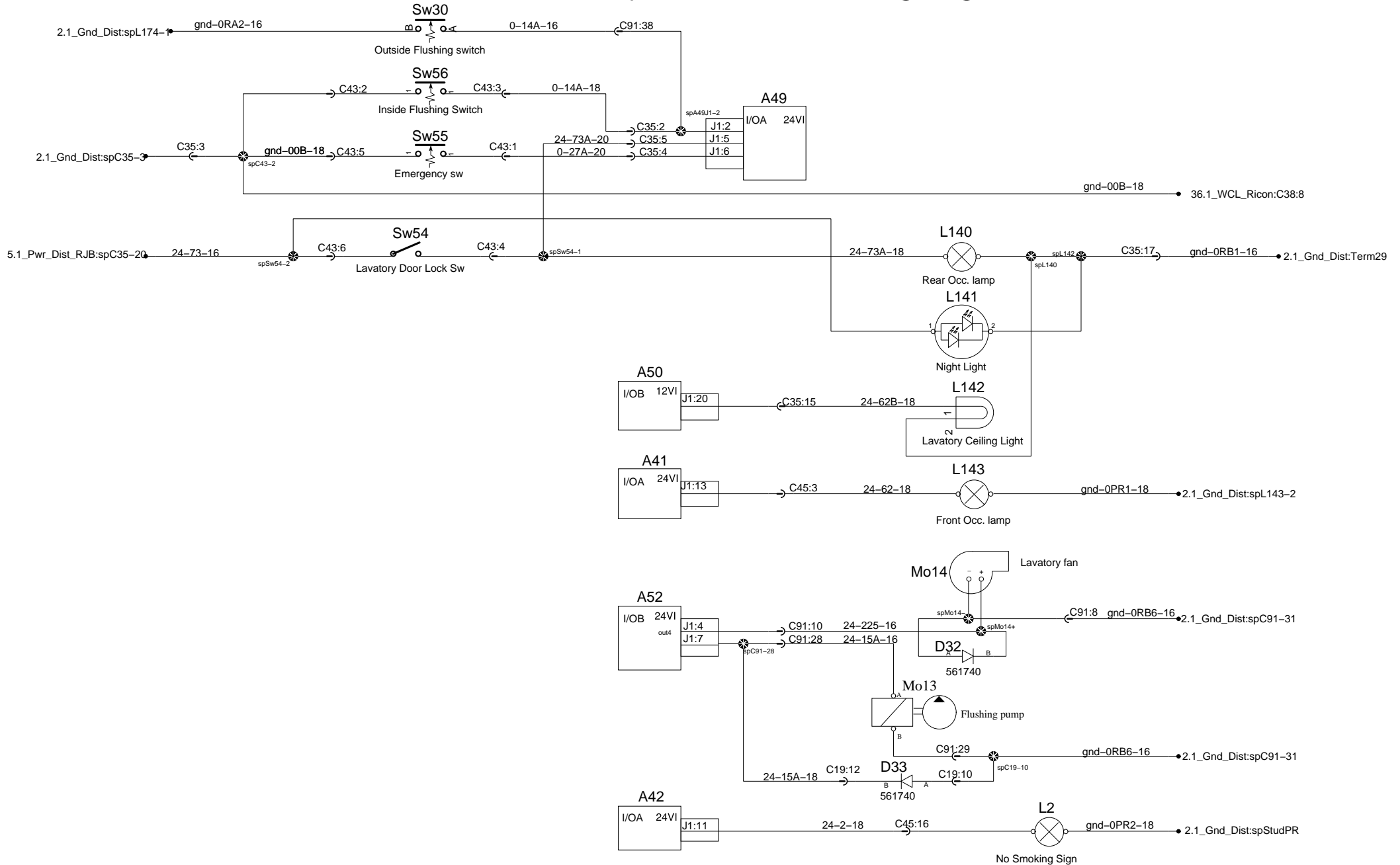


# Cluster Pollak

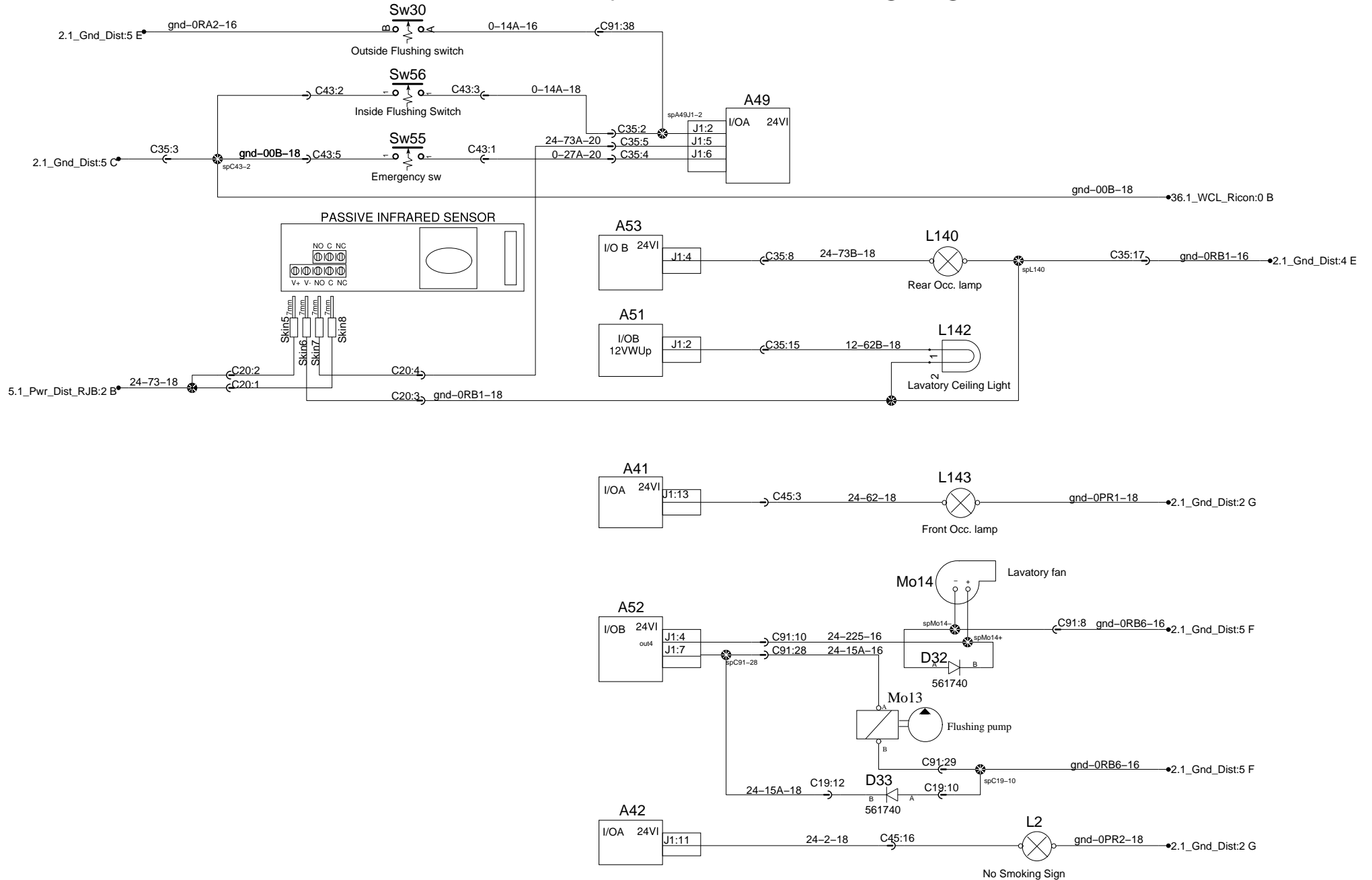




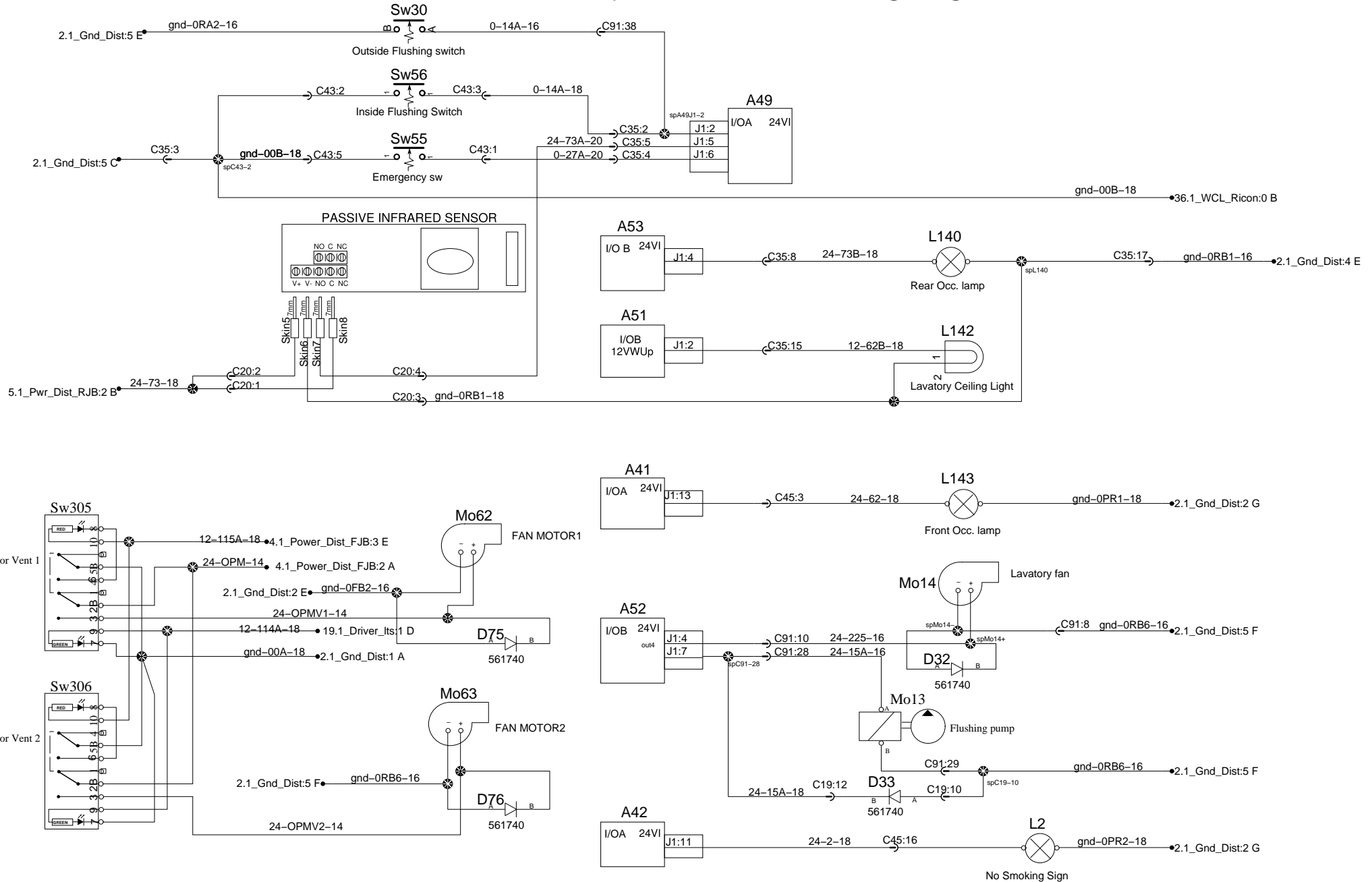
# Lavatory and No Smoking Sign



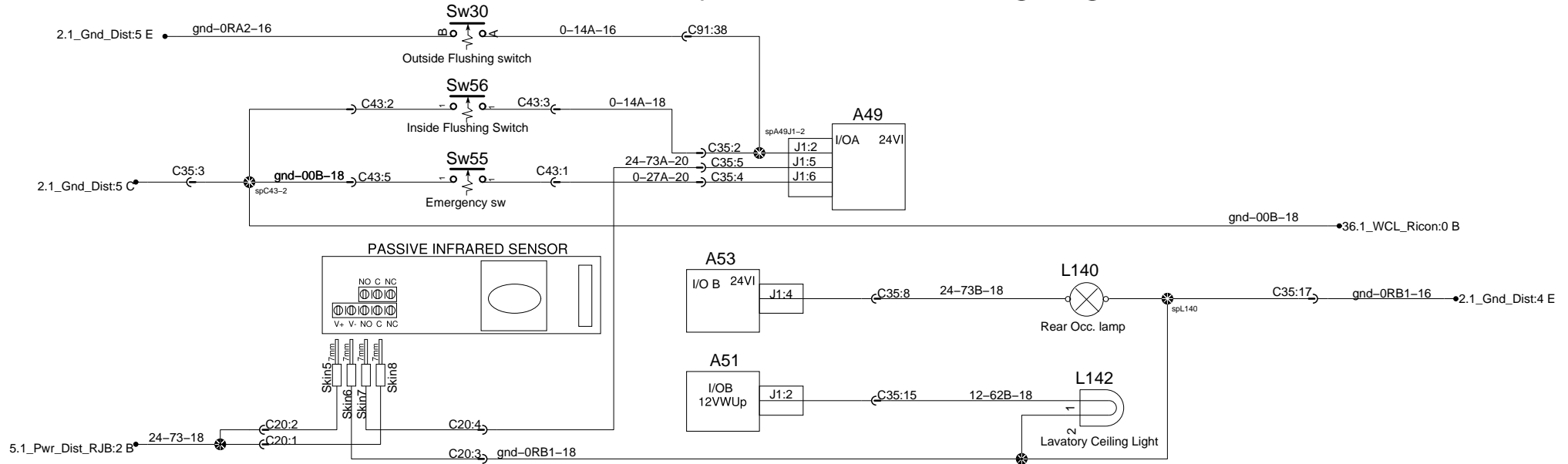
# Lavatory and No Smoking Sign



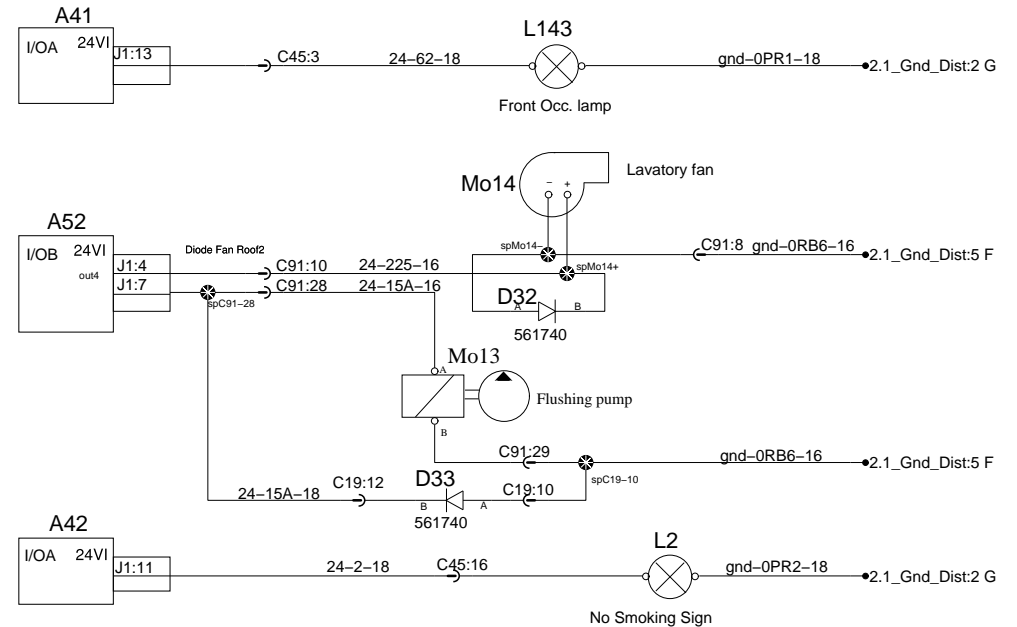
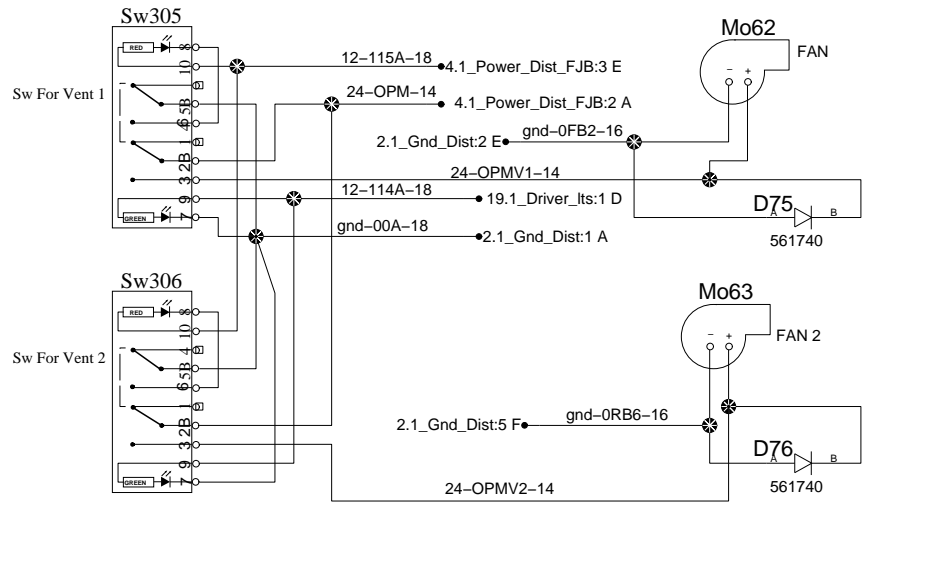
# Lavatory and No Smoking Sign



# Lavatory and No Smoking Sign

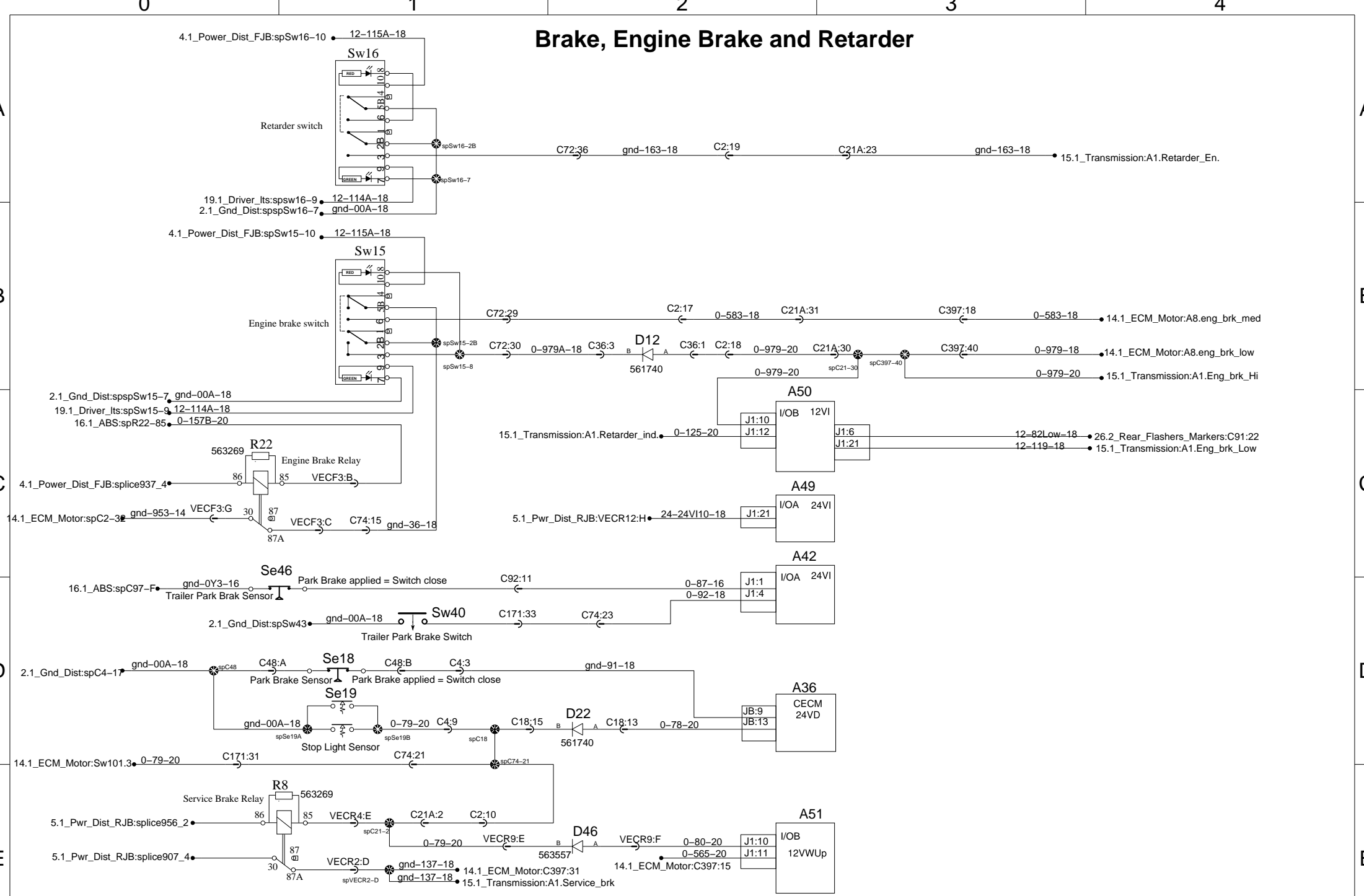


## OPTION: FAN IN ROOF HATCH



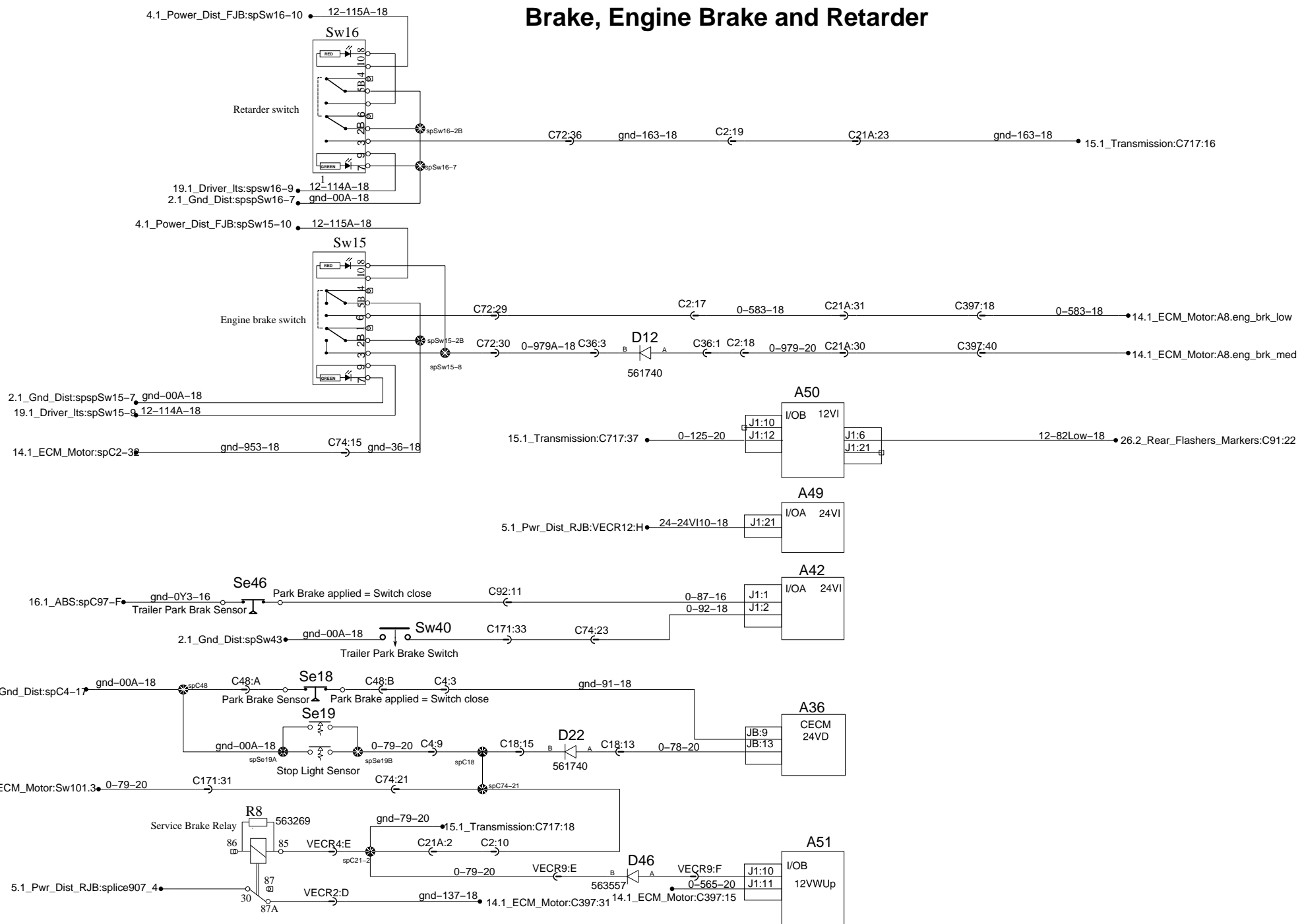


# Brake, Engine Brake and Retarder



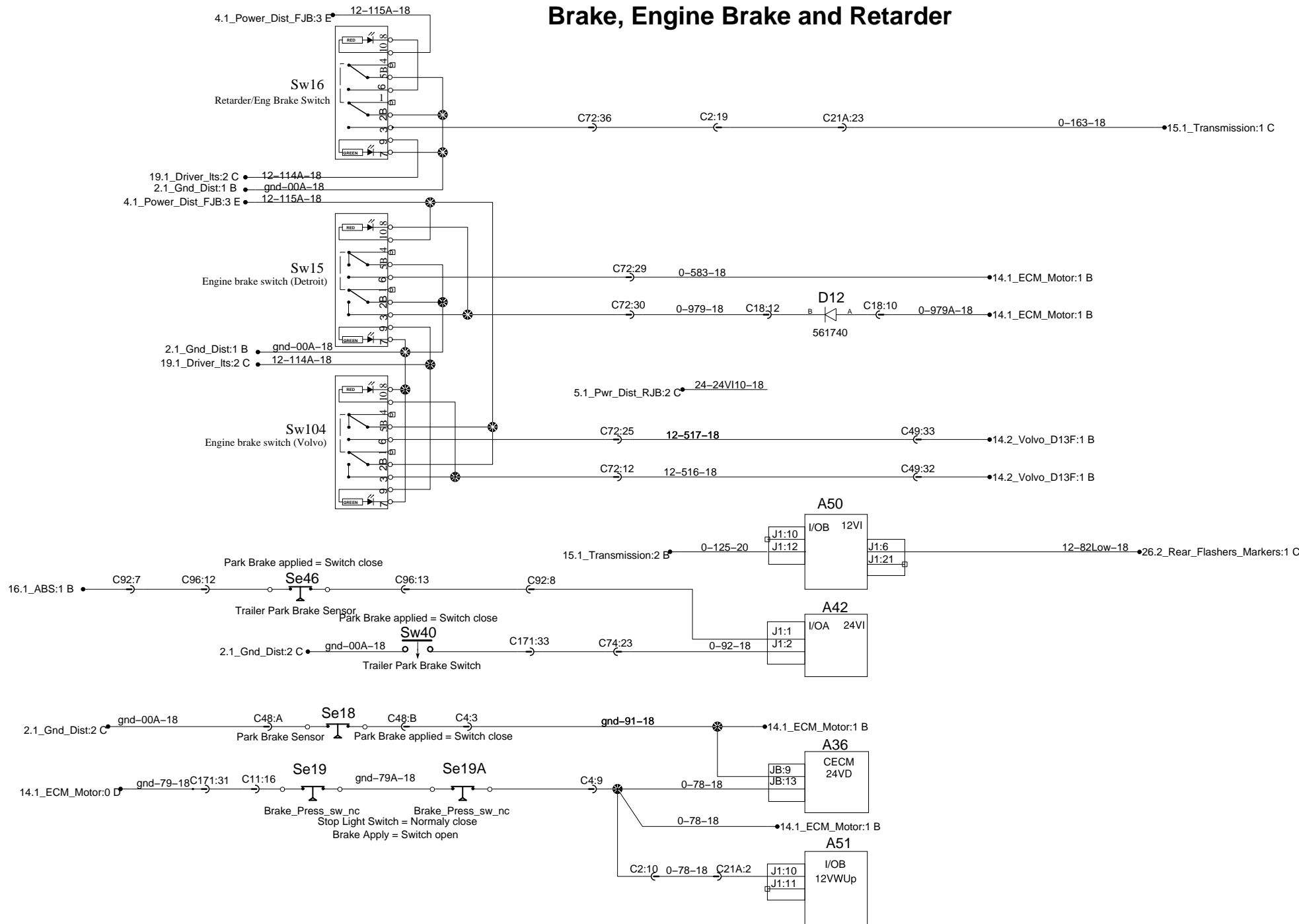


# Brake, Engine Brake and Retarder

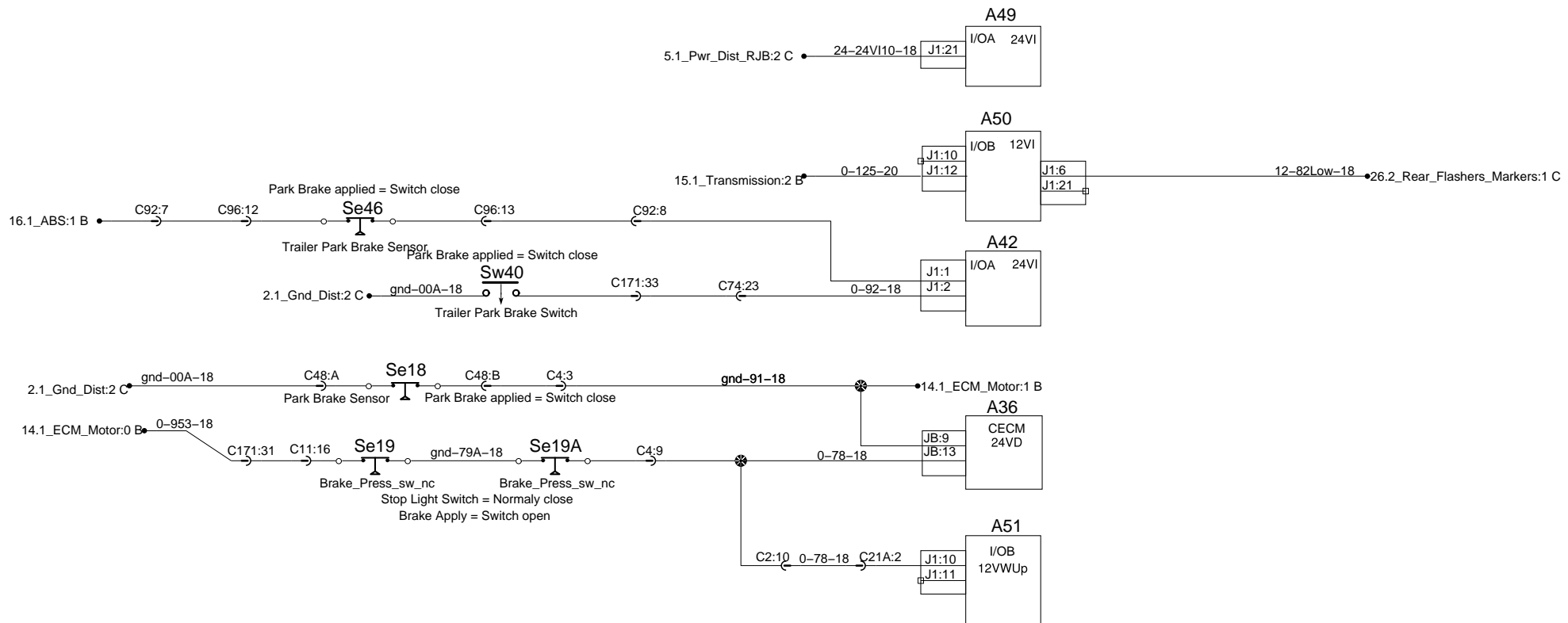
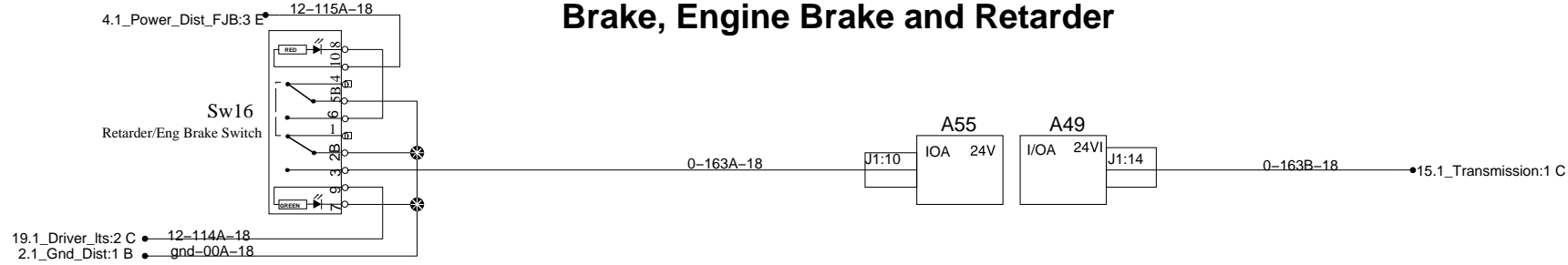




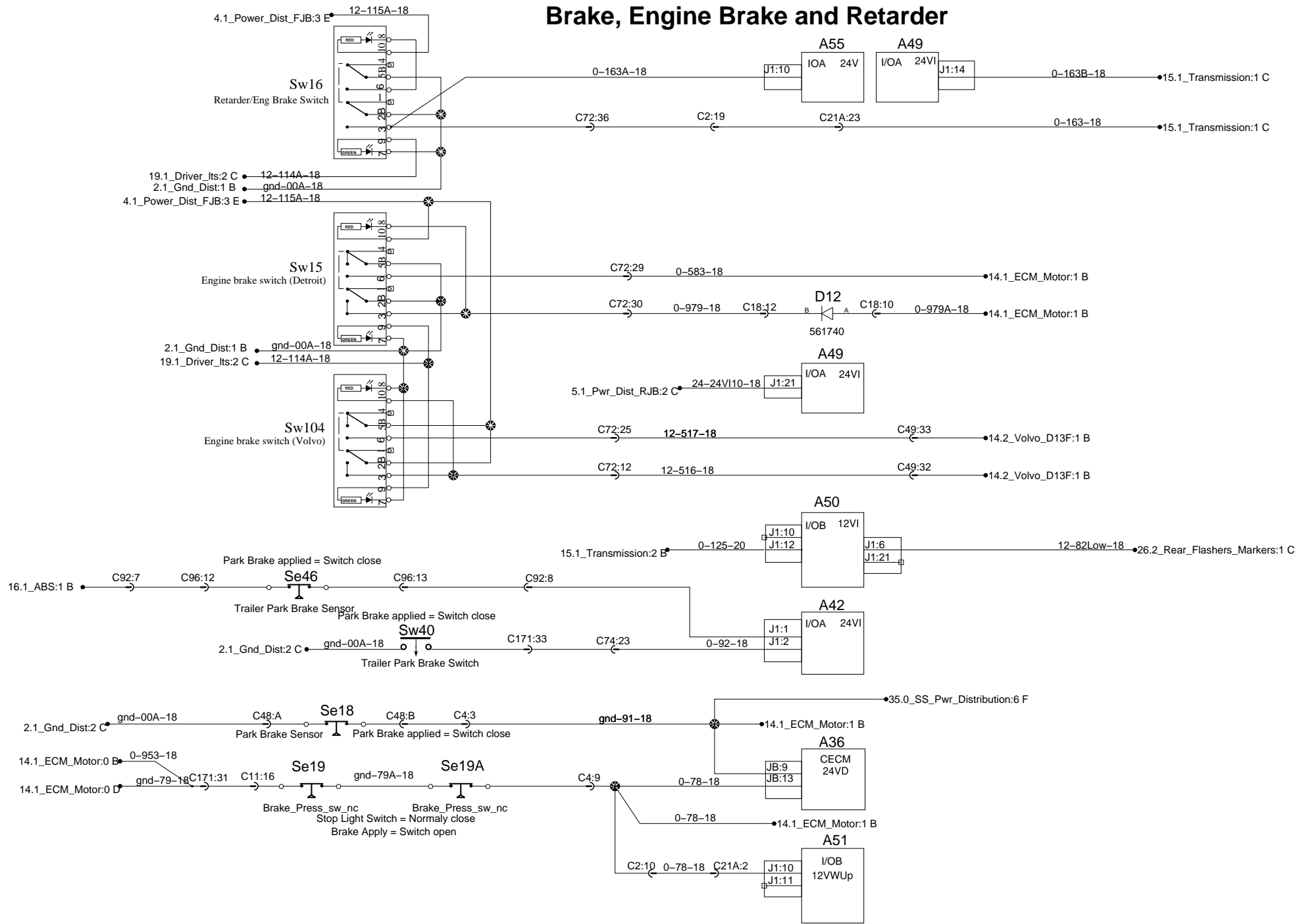
# Brake, Engine Brake and Retarder



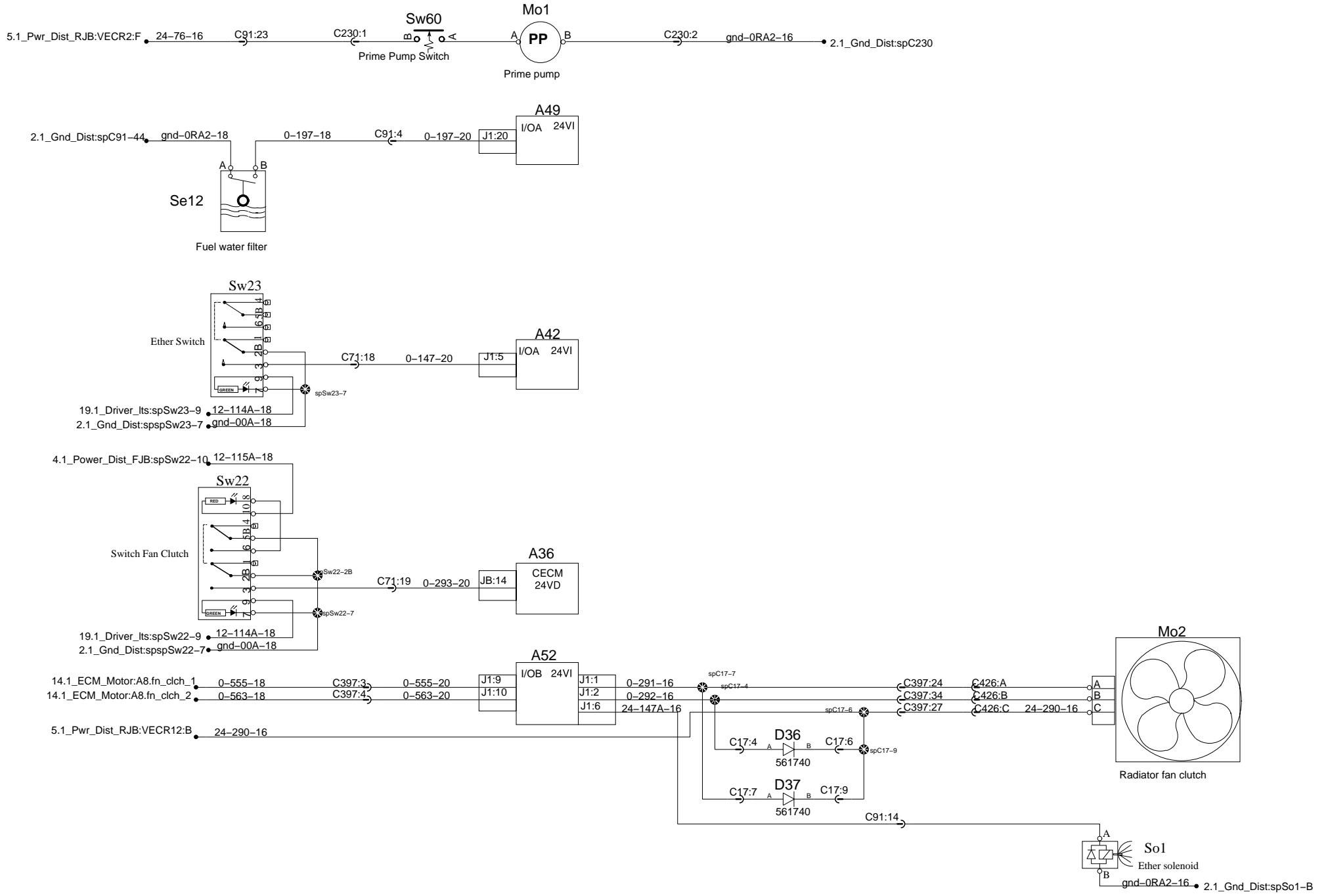
# Brake, Engine Brake and Retarder



# Brake, Engine Brake and Retarder



# Prime Pump, Water Filter, Ether and Fan Clutch



0

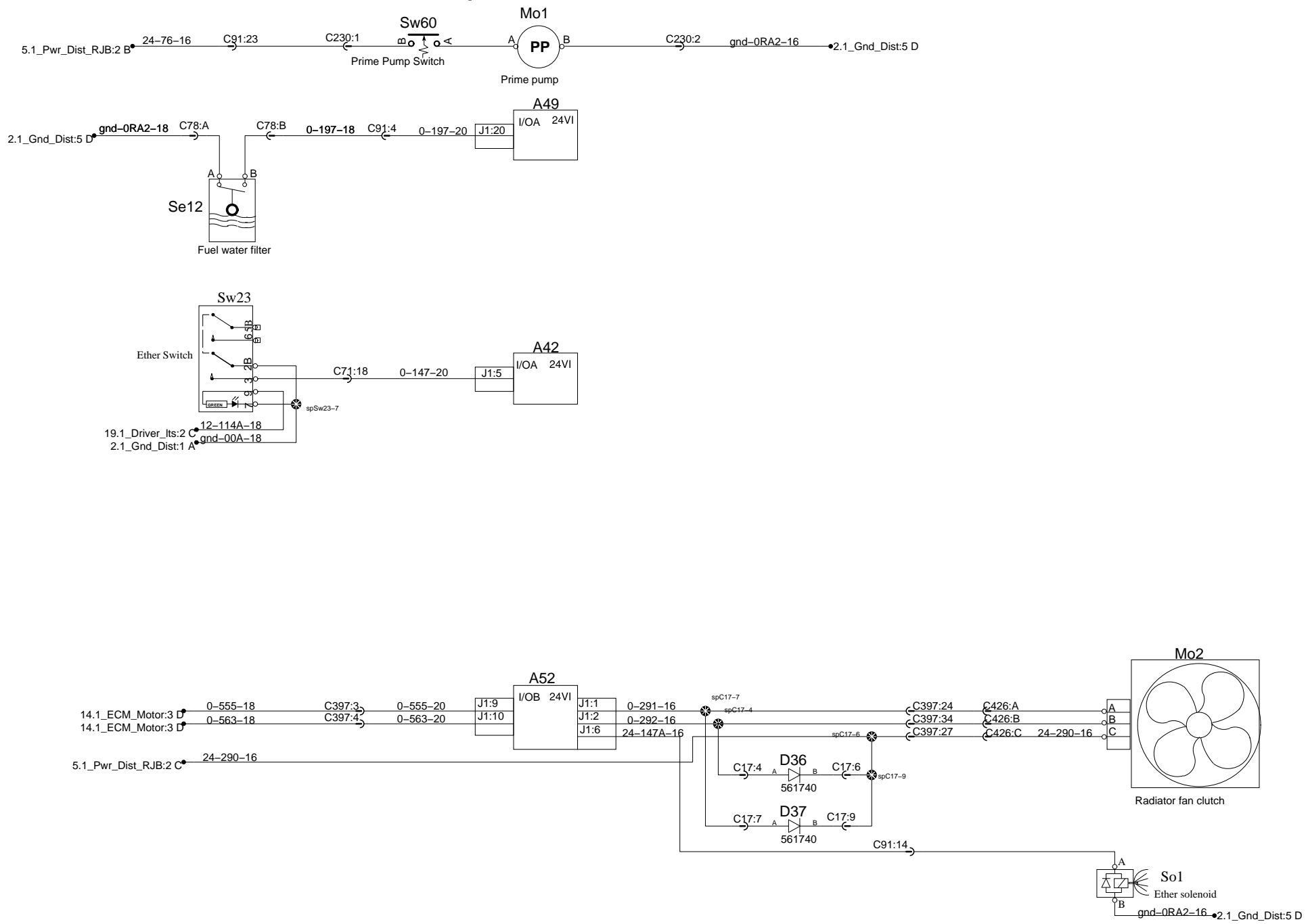
1

2

3

4

# Prime Pump, Water Filter, Ether and Fan Clutch



0

1

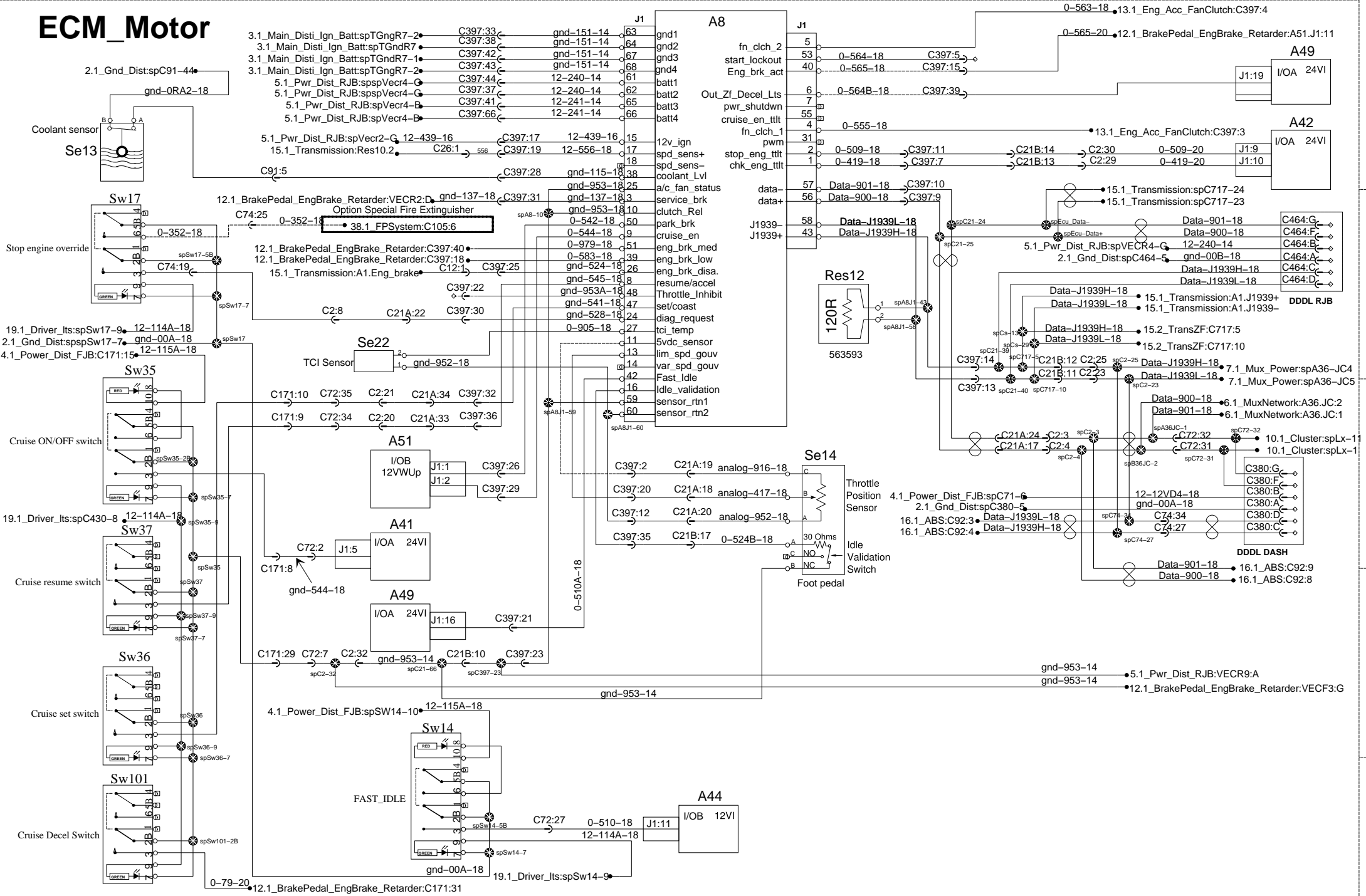
2

3

4



# ECM\_Motor







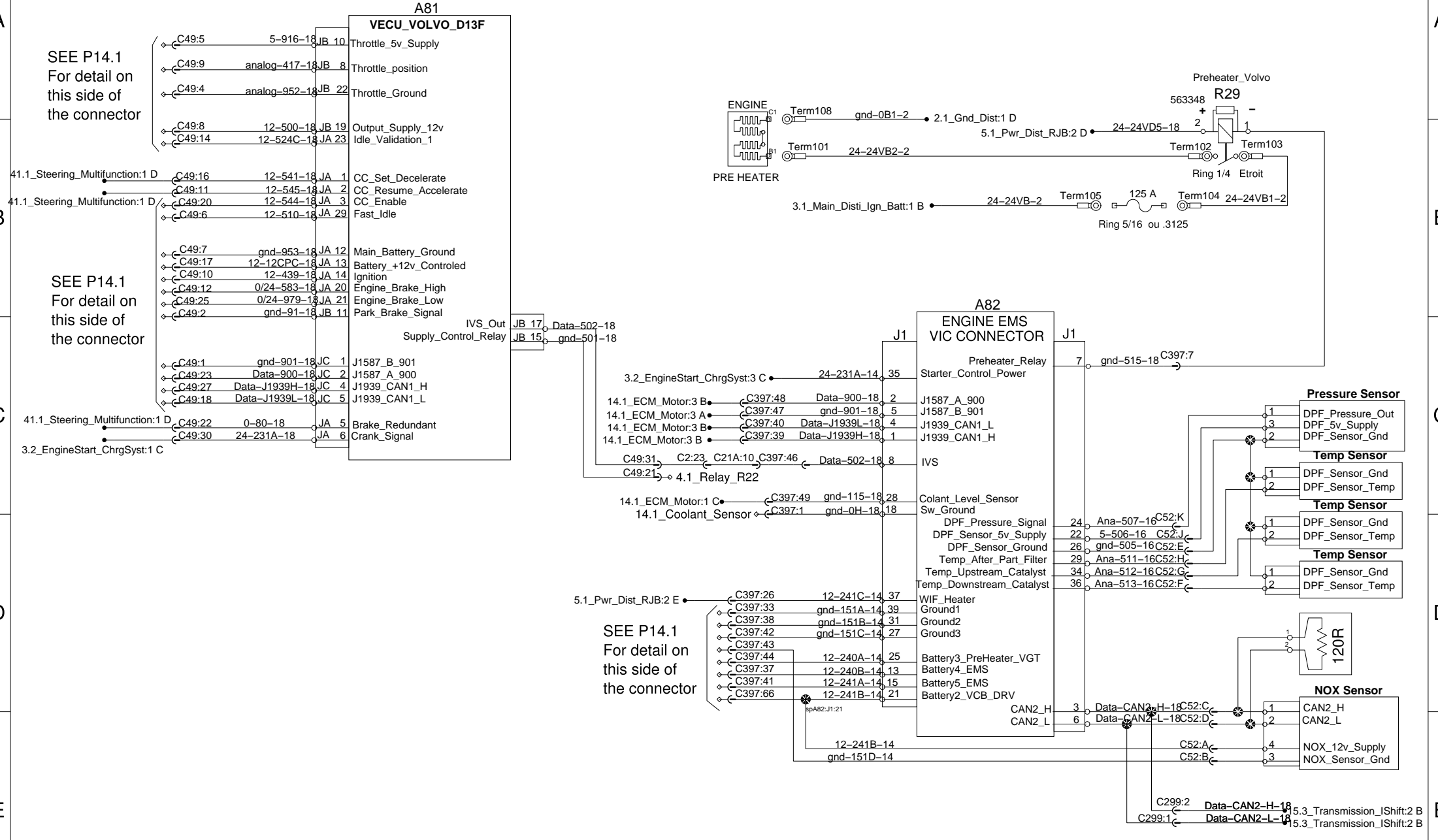




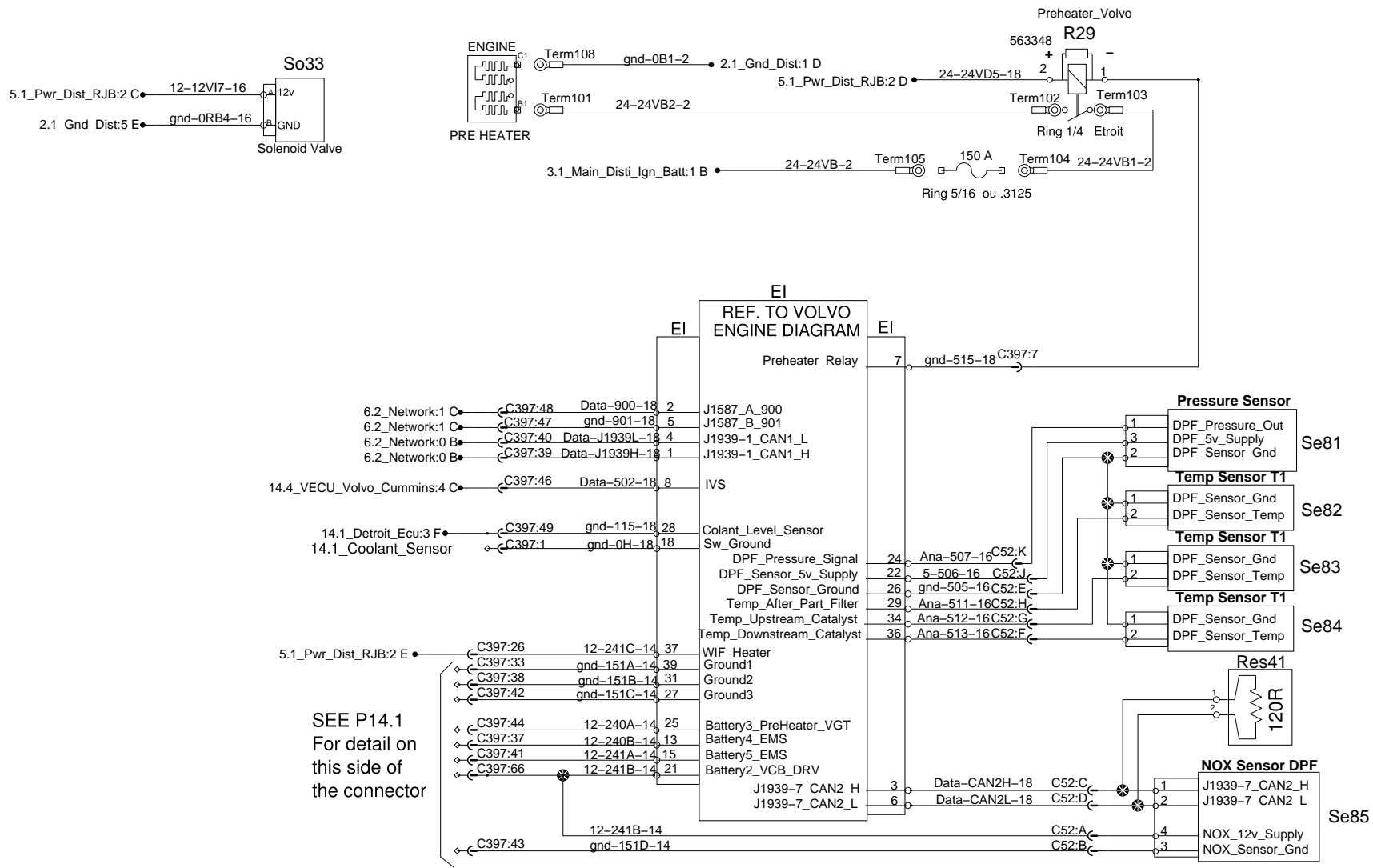




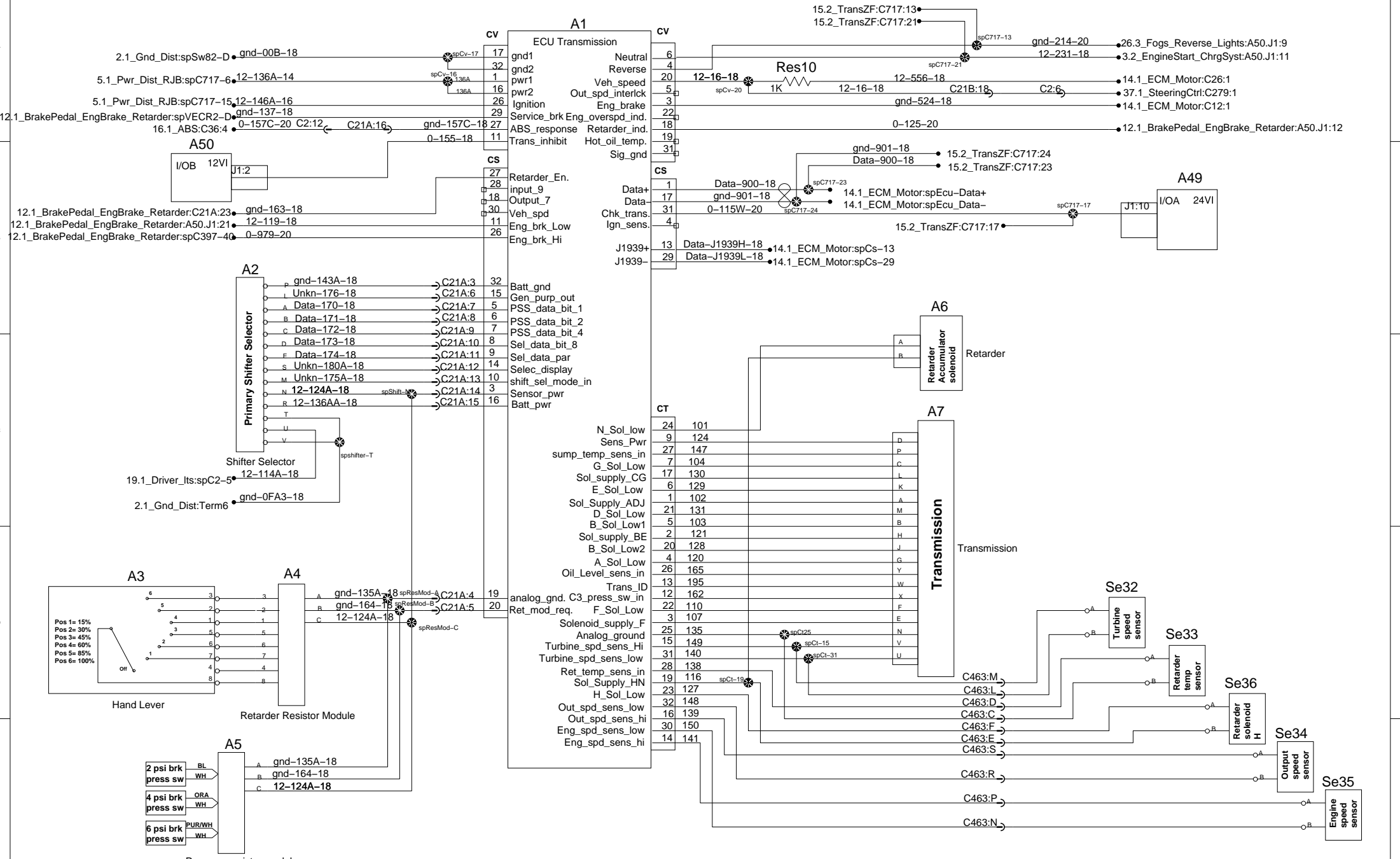
# VOLVO\_D13\_Engine



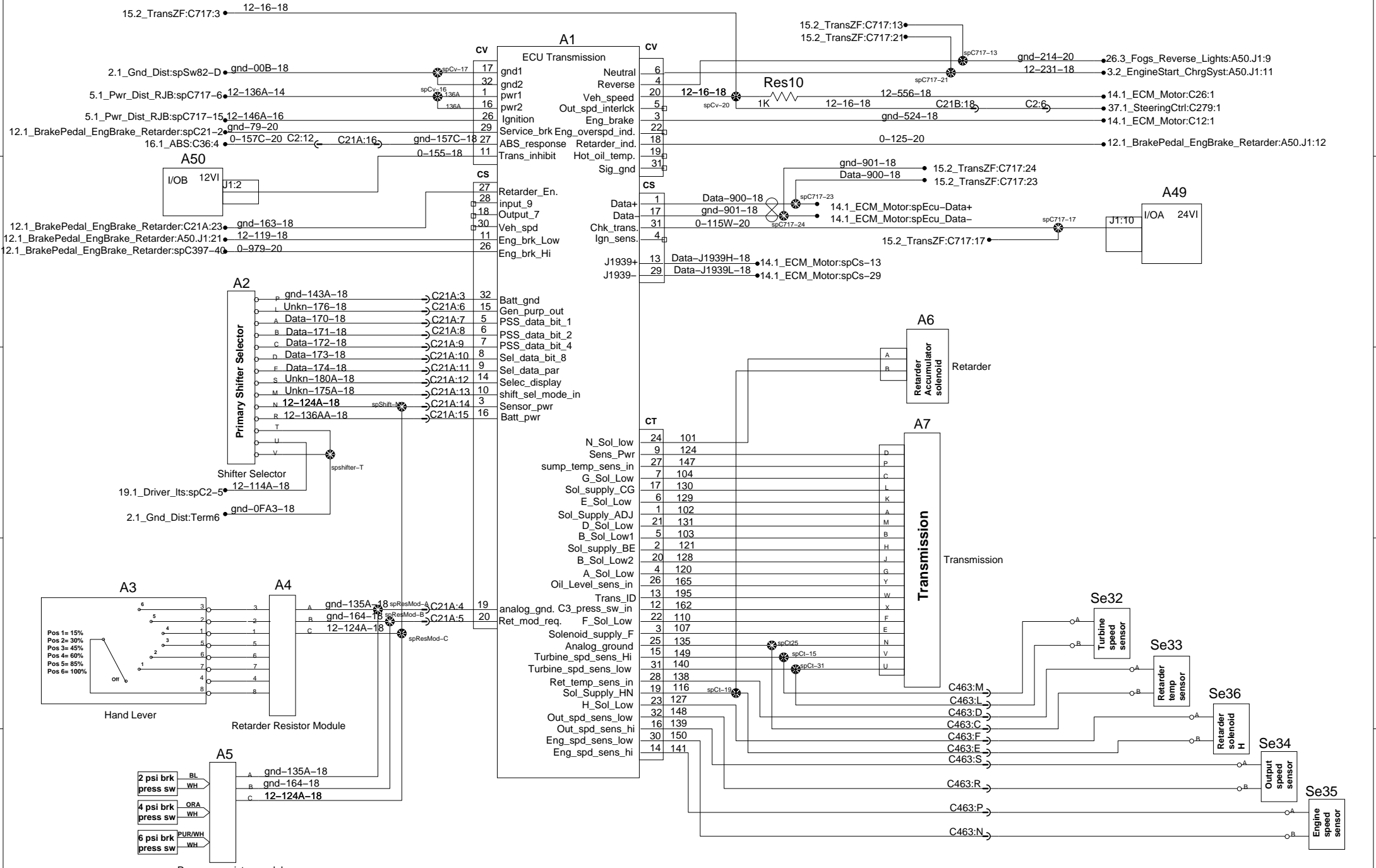
# VOLVO\_D13\_Engine\_Ecu



# Transmission Allisson

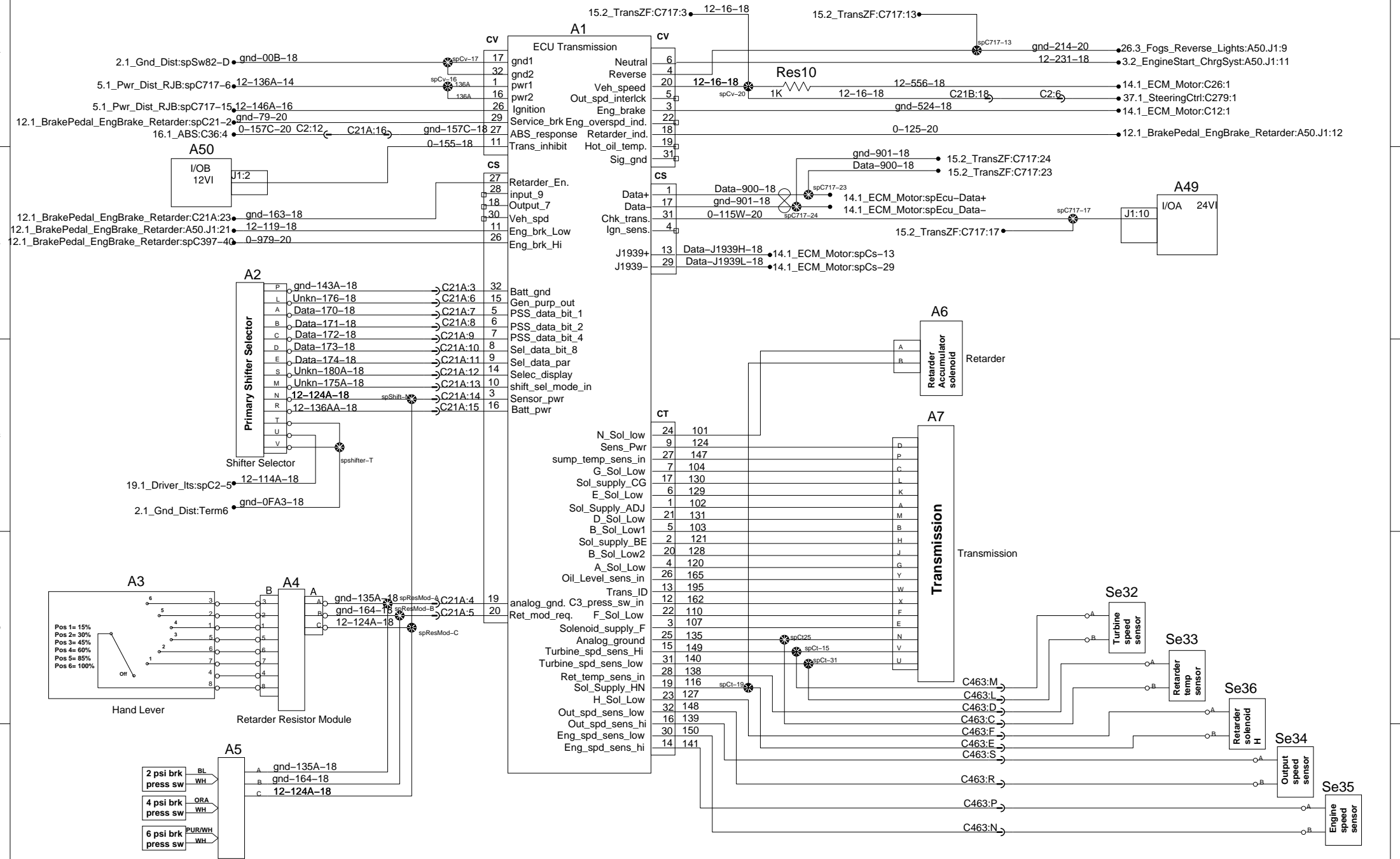


# Transmission Allisson



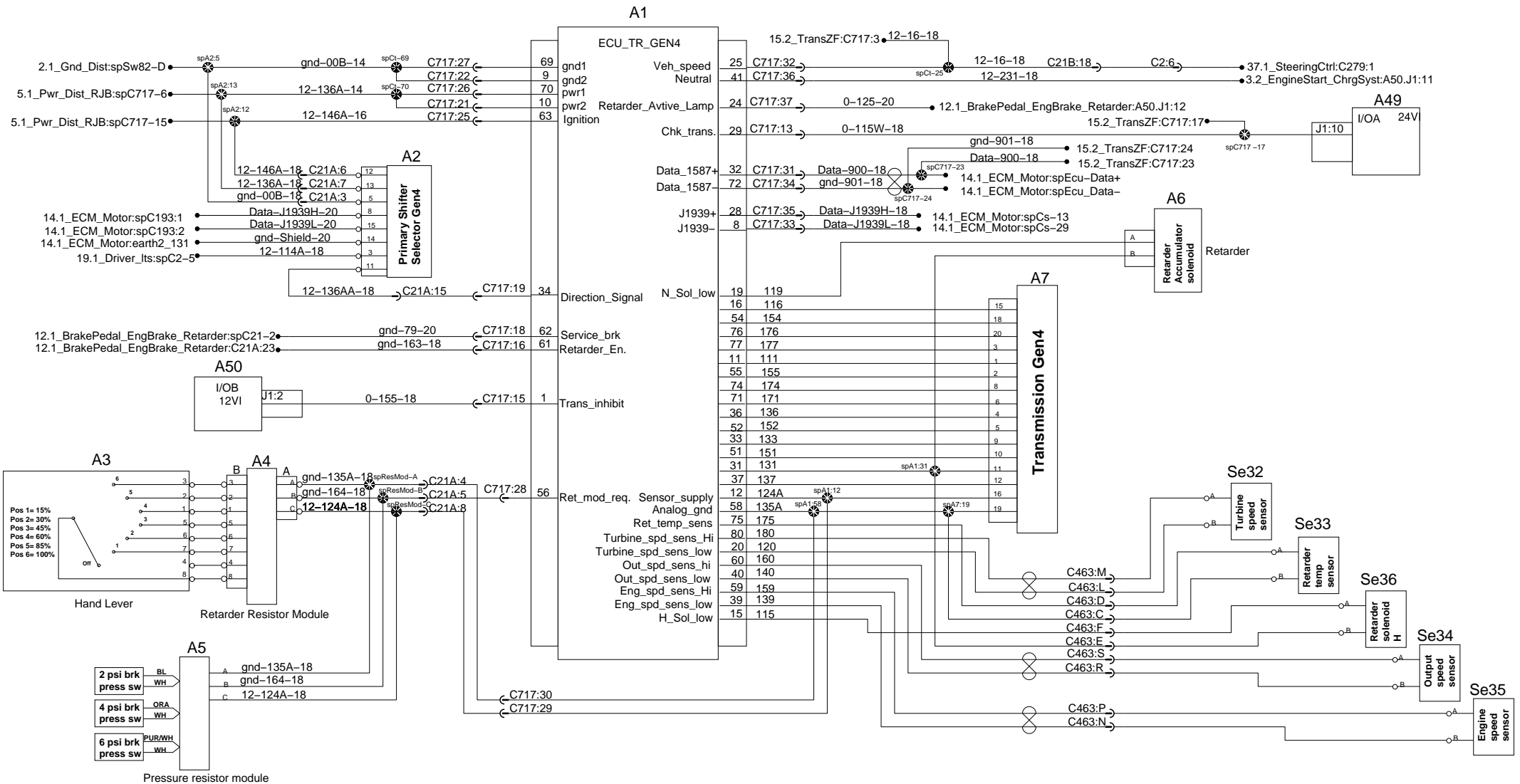


# Transmission Allisson

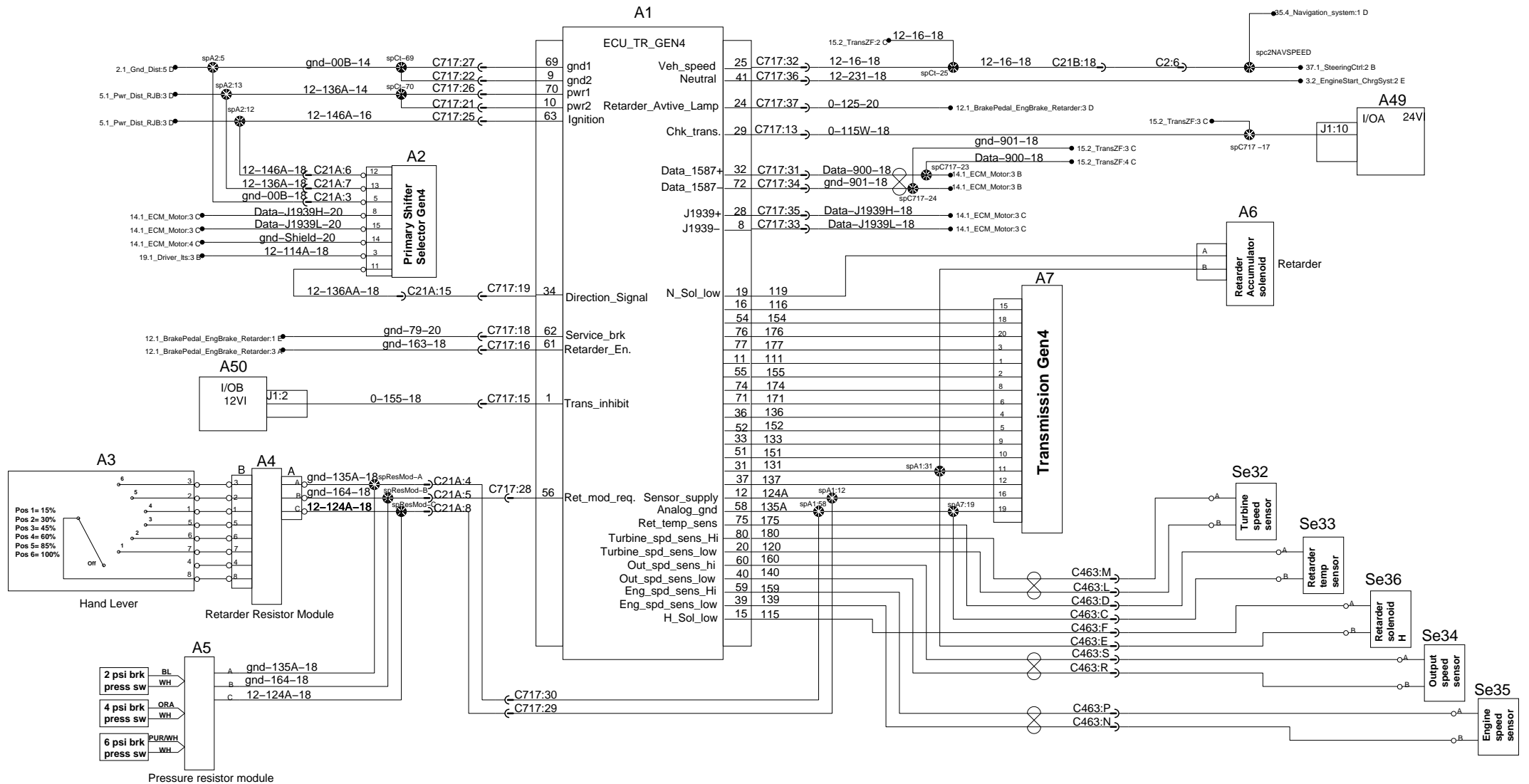




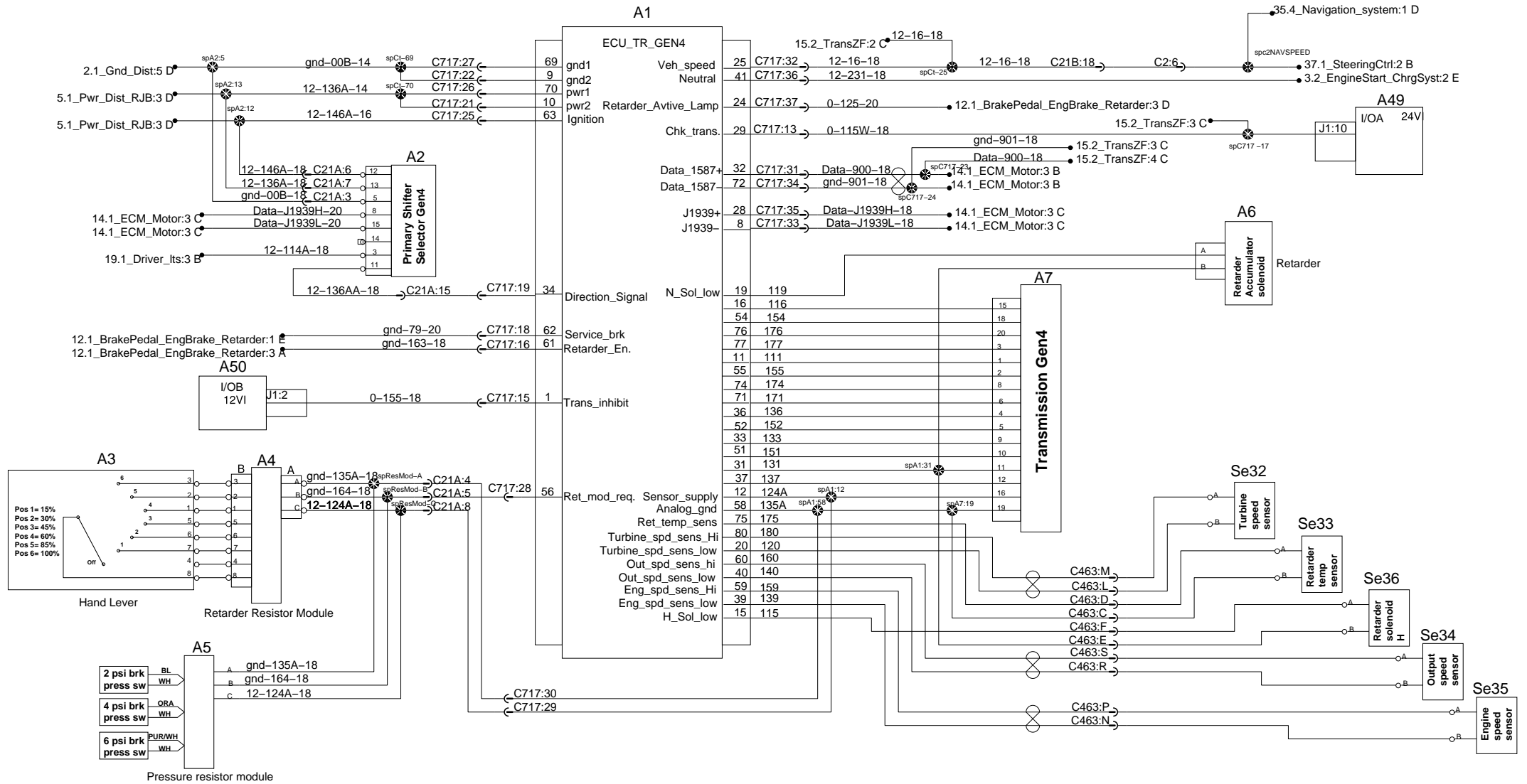
# Transmission Allison Gen 4



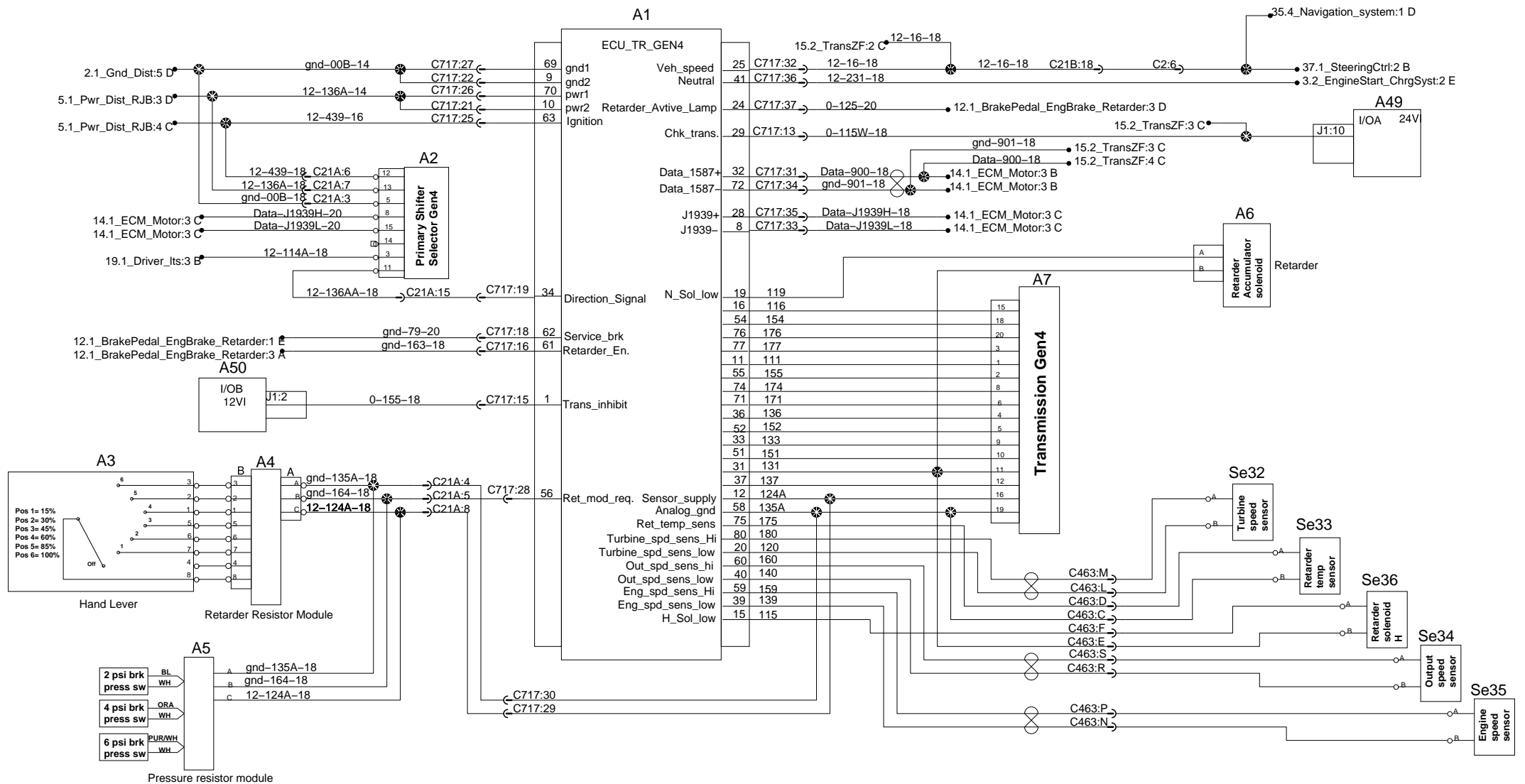
# Transmission Allison Gen 4



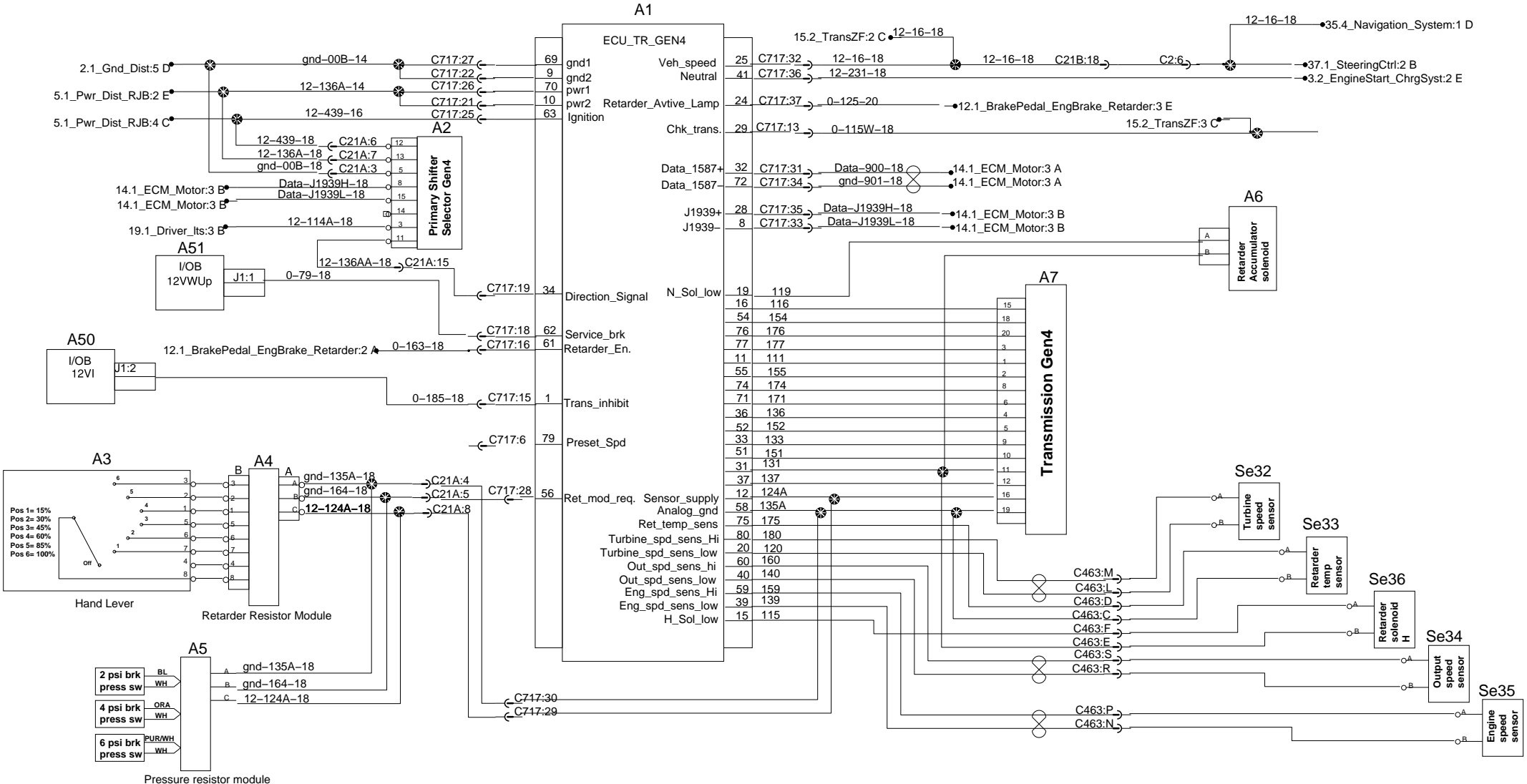
# Transmission Allison Gen 4



# Transmission Allison Gen 4



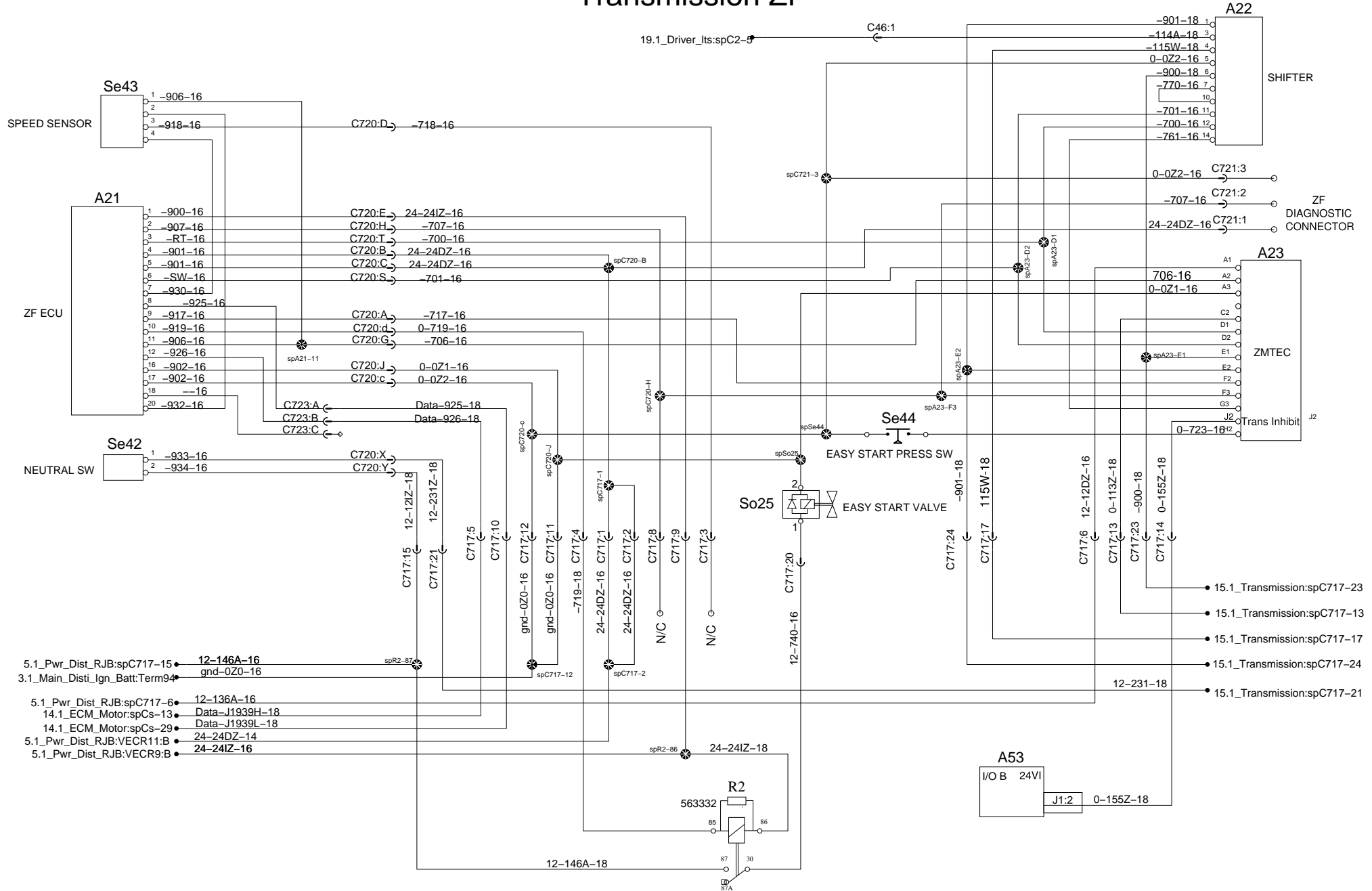
# Transmission Allison Gen 4



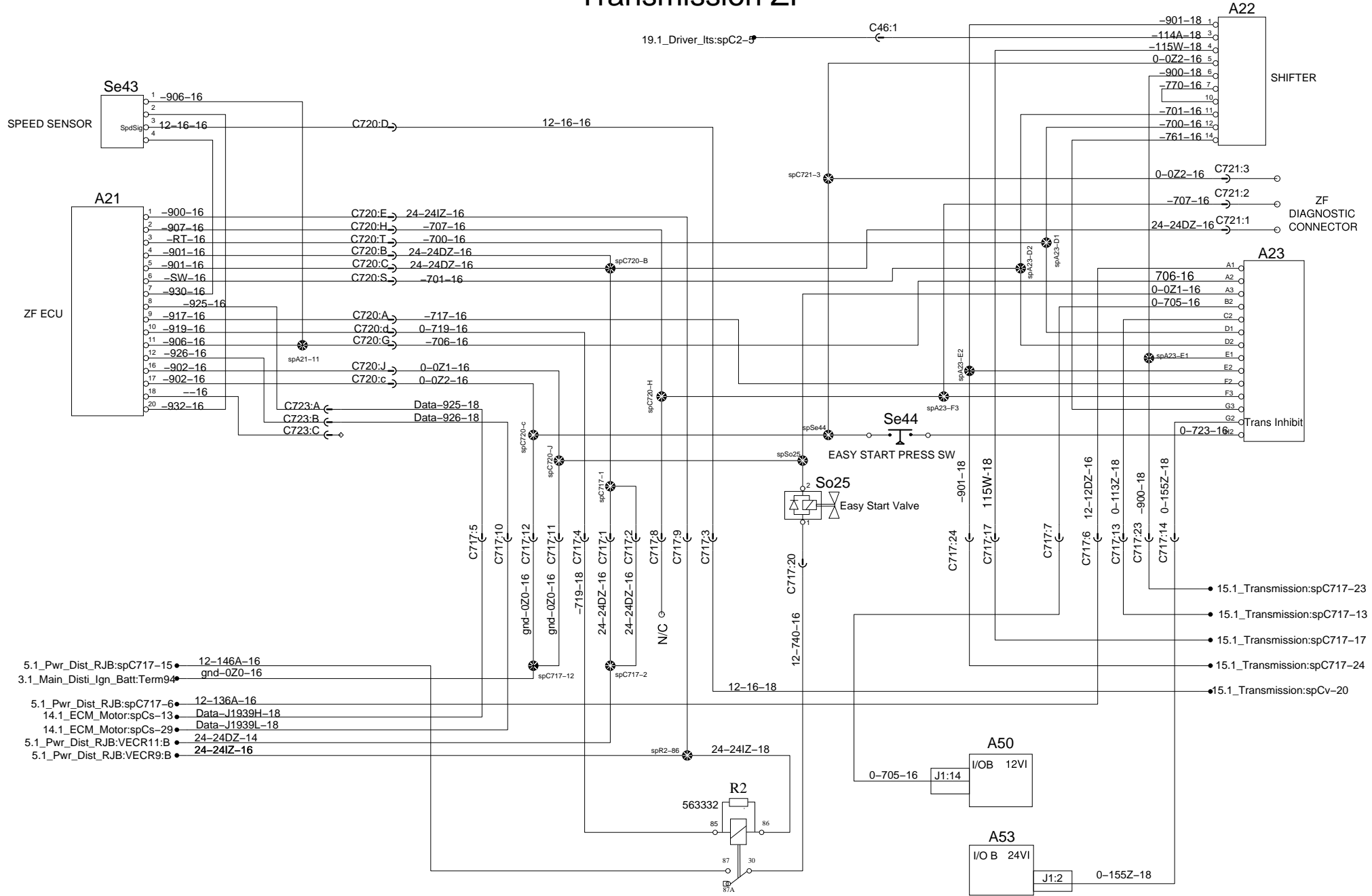




# Transmission ZF

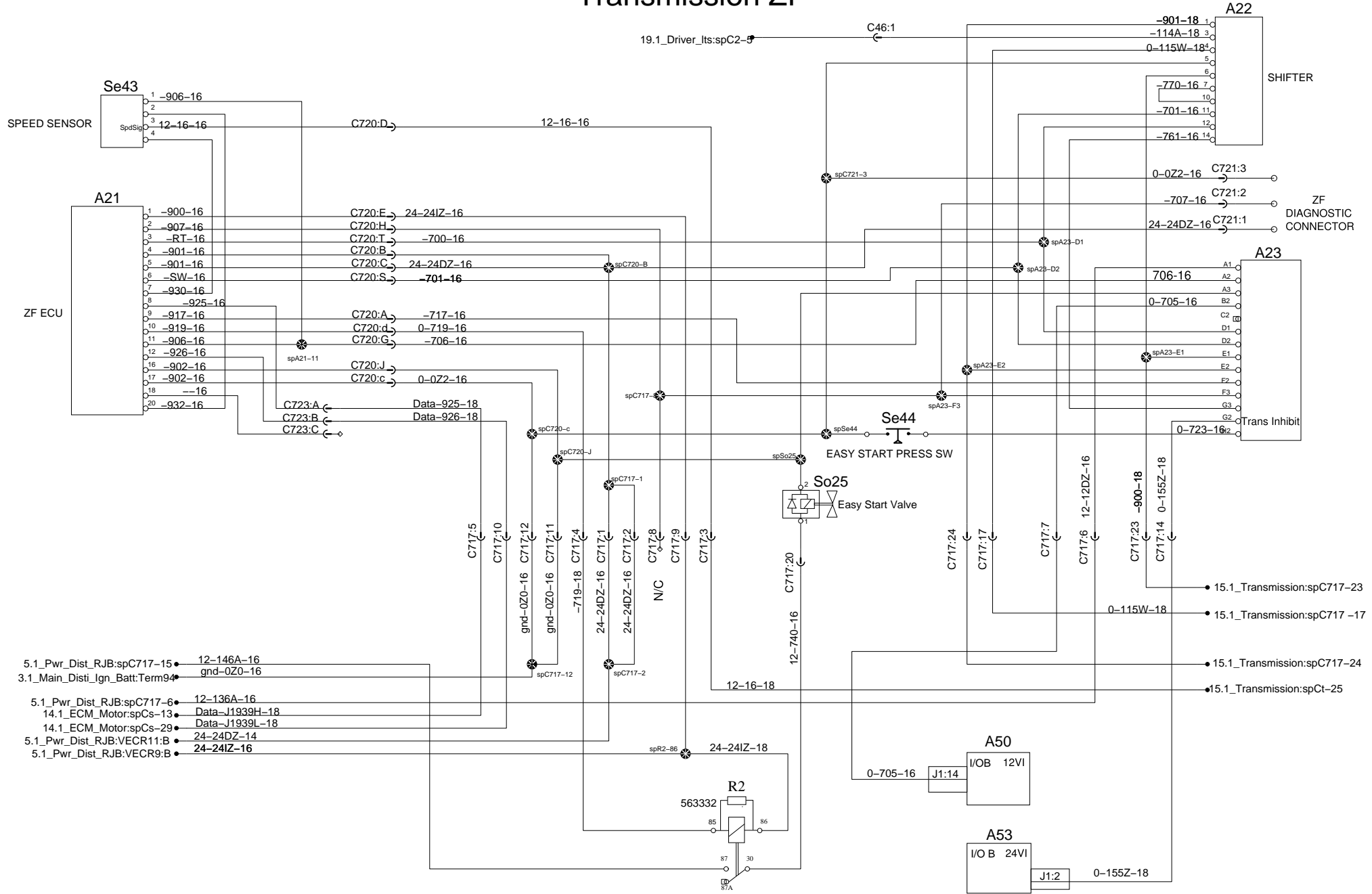


# Transmission ZF

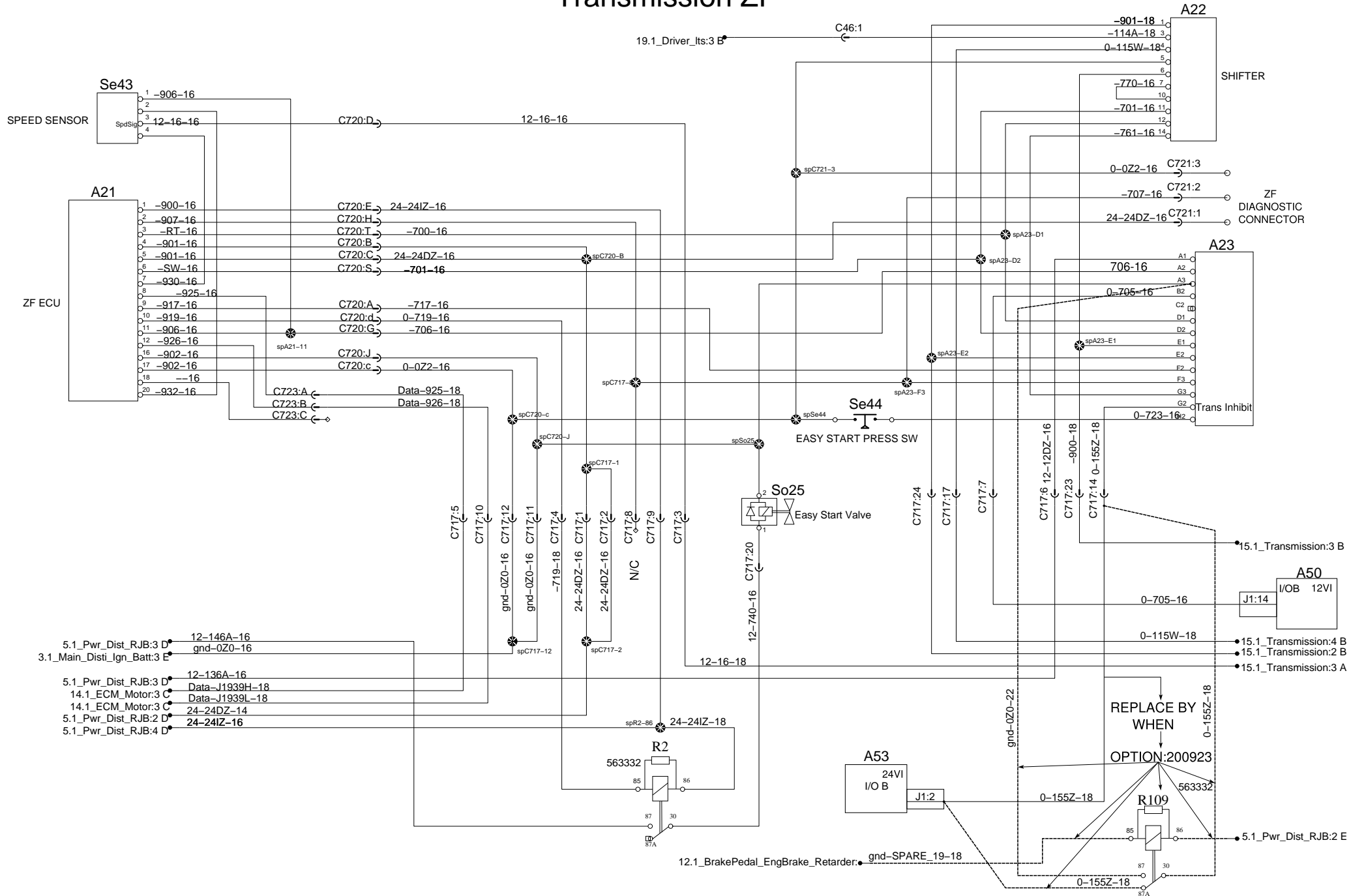




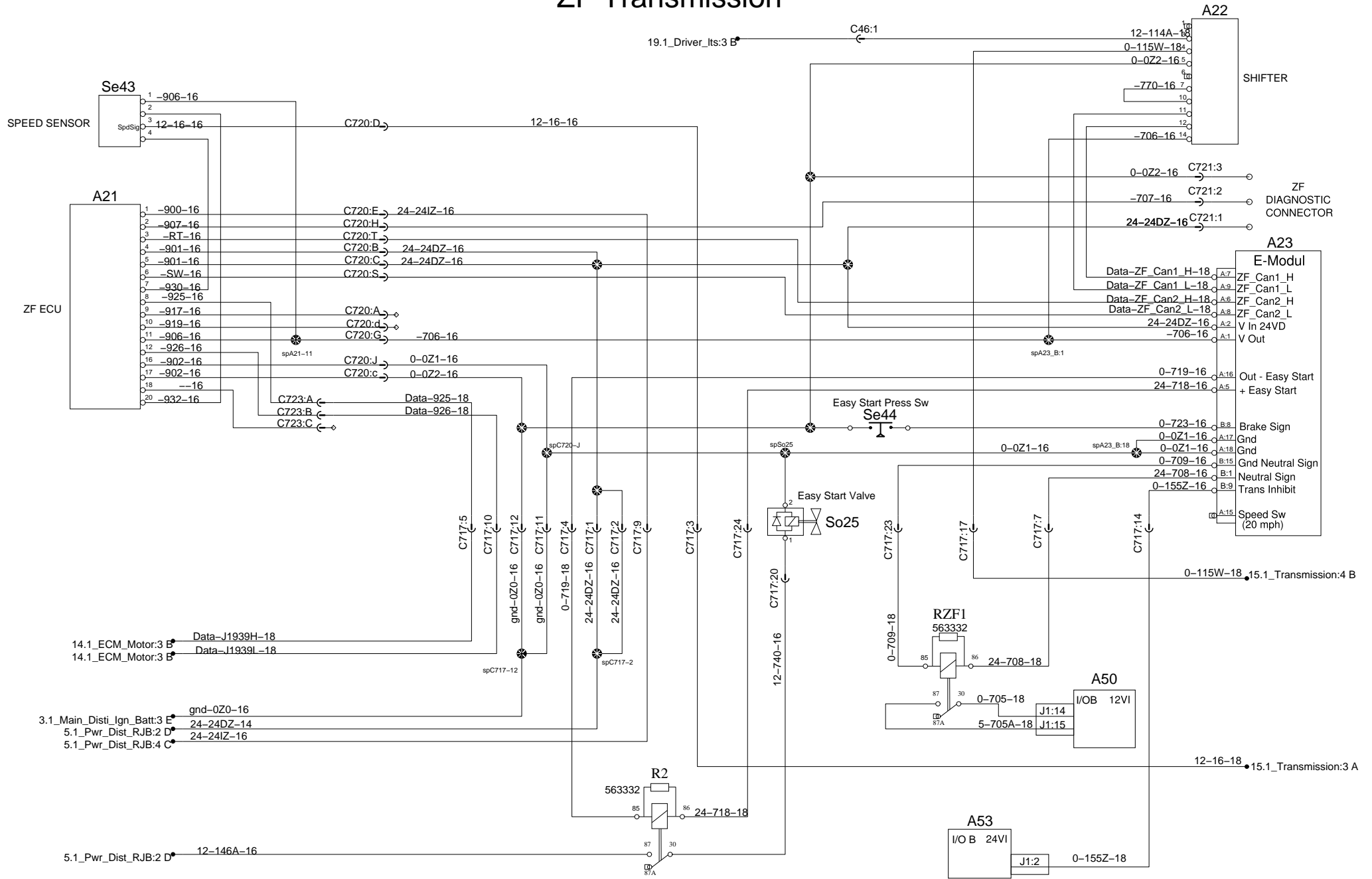
# Transmission ZF



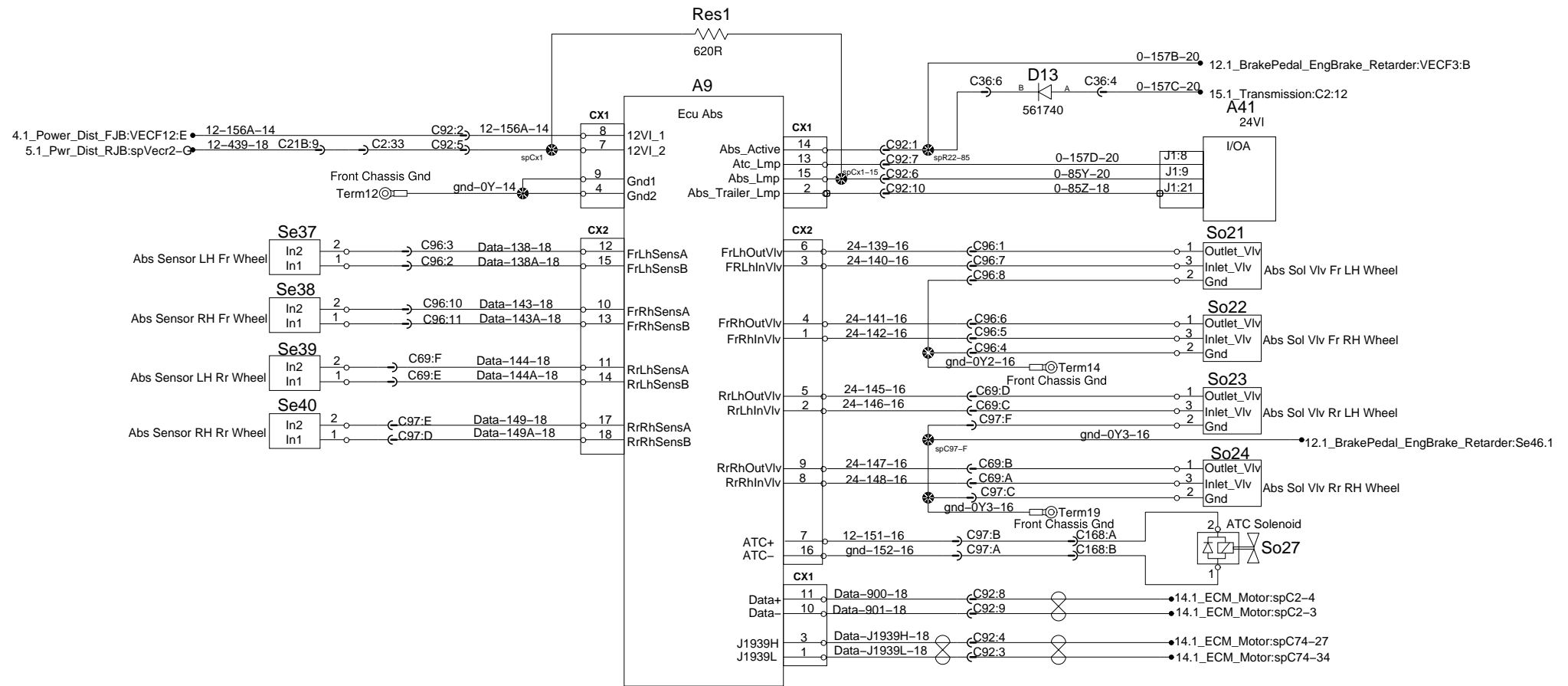
# Transmission ZF



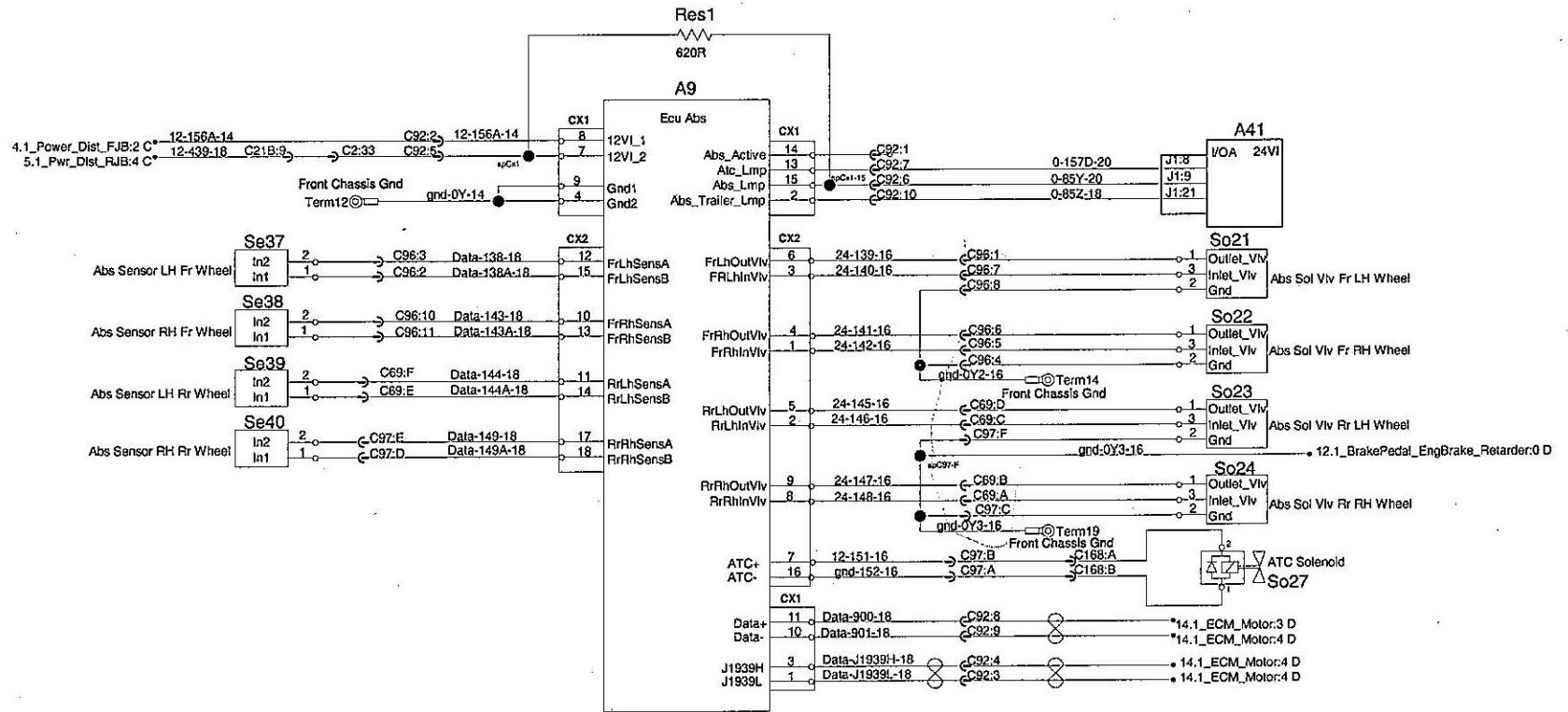
# ZF Transmission



# ABS

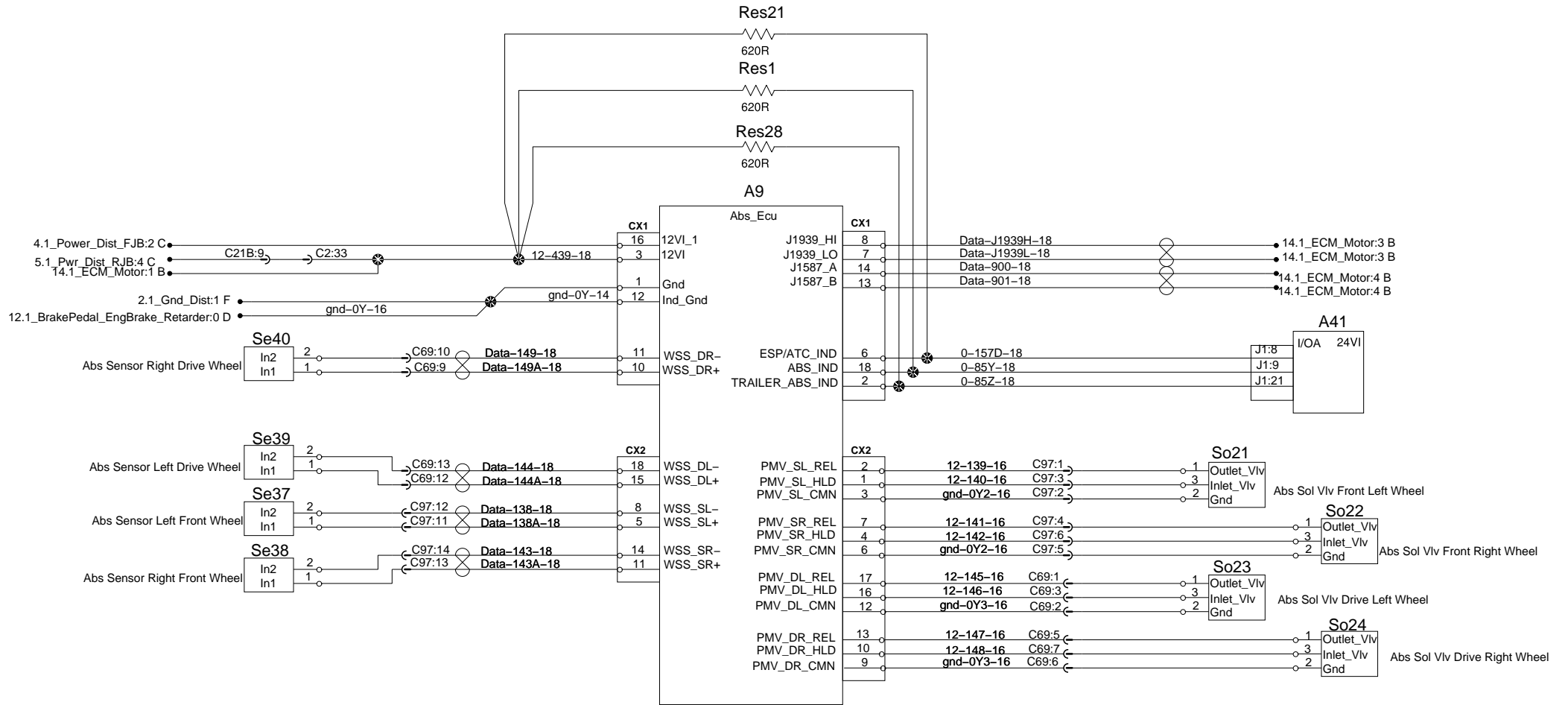


# ABS

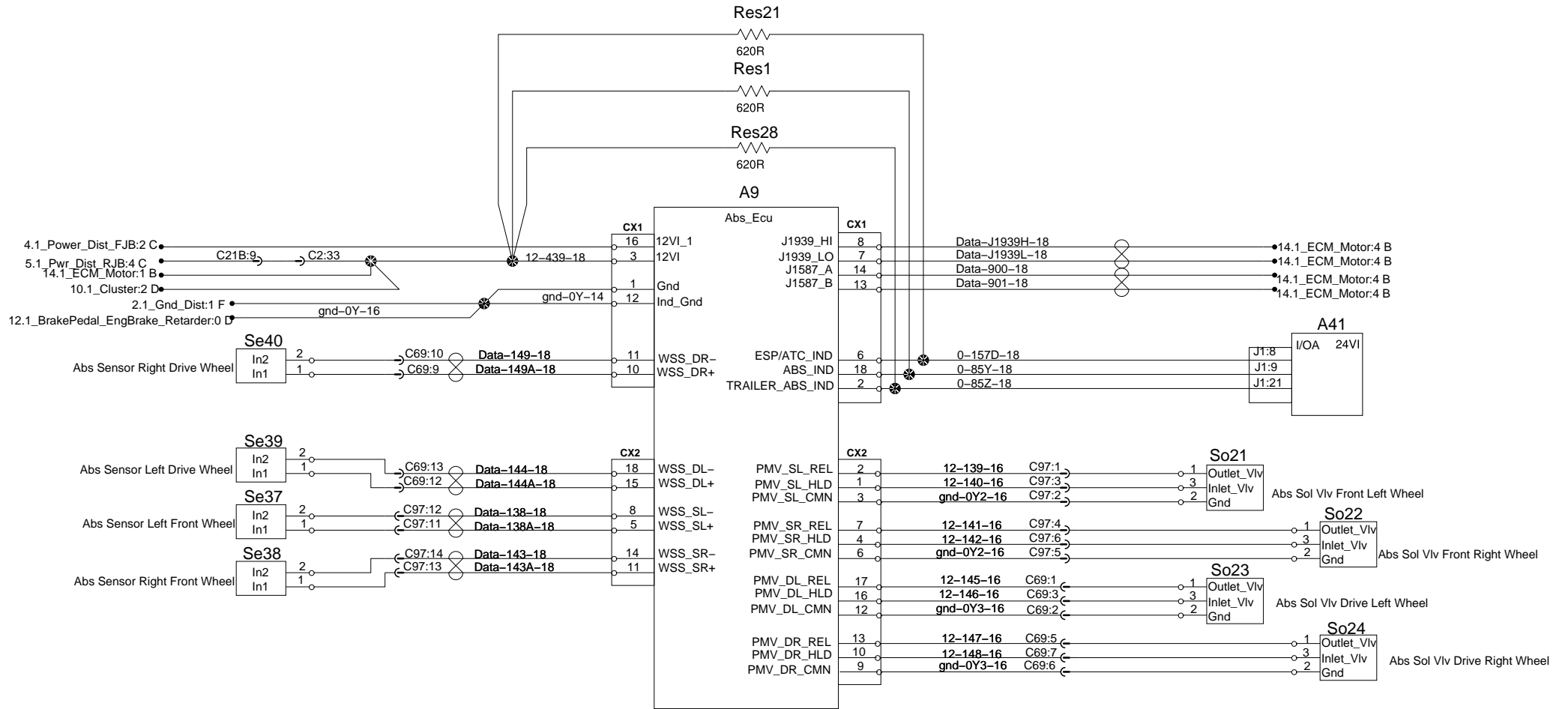




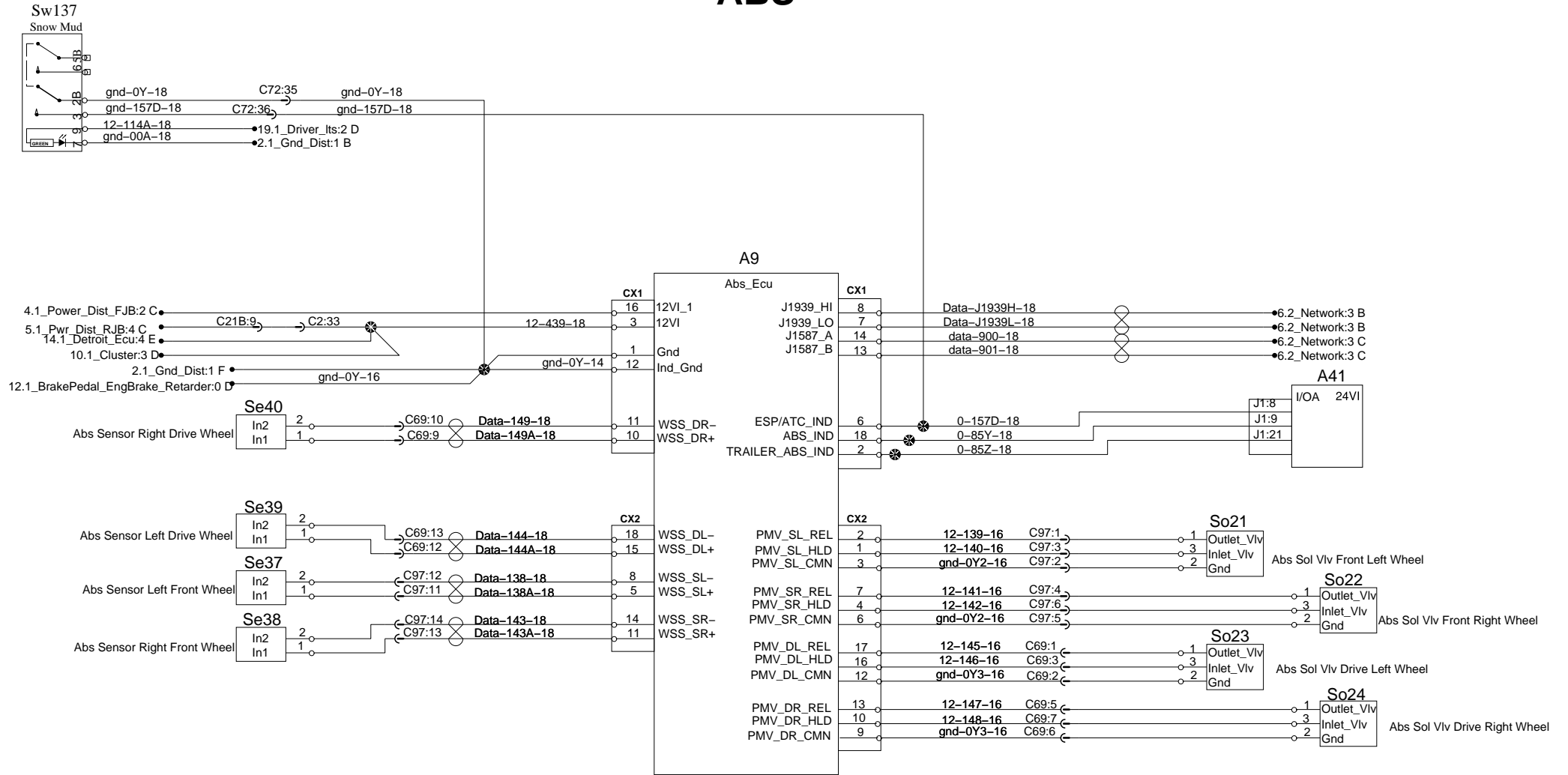
# ABS



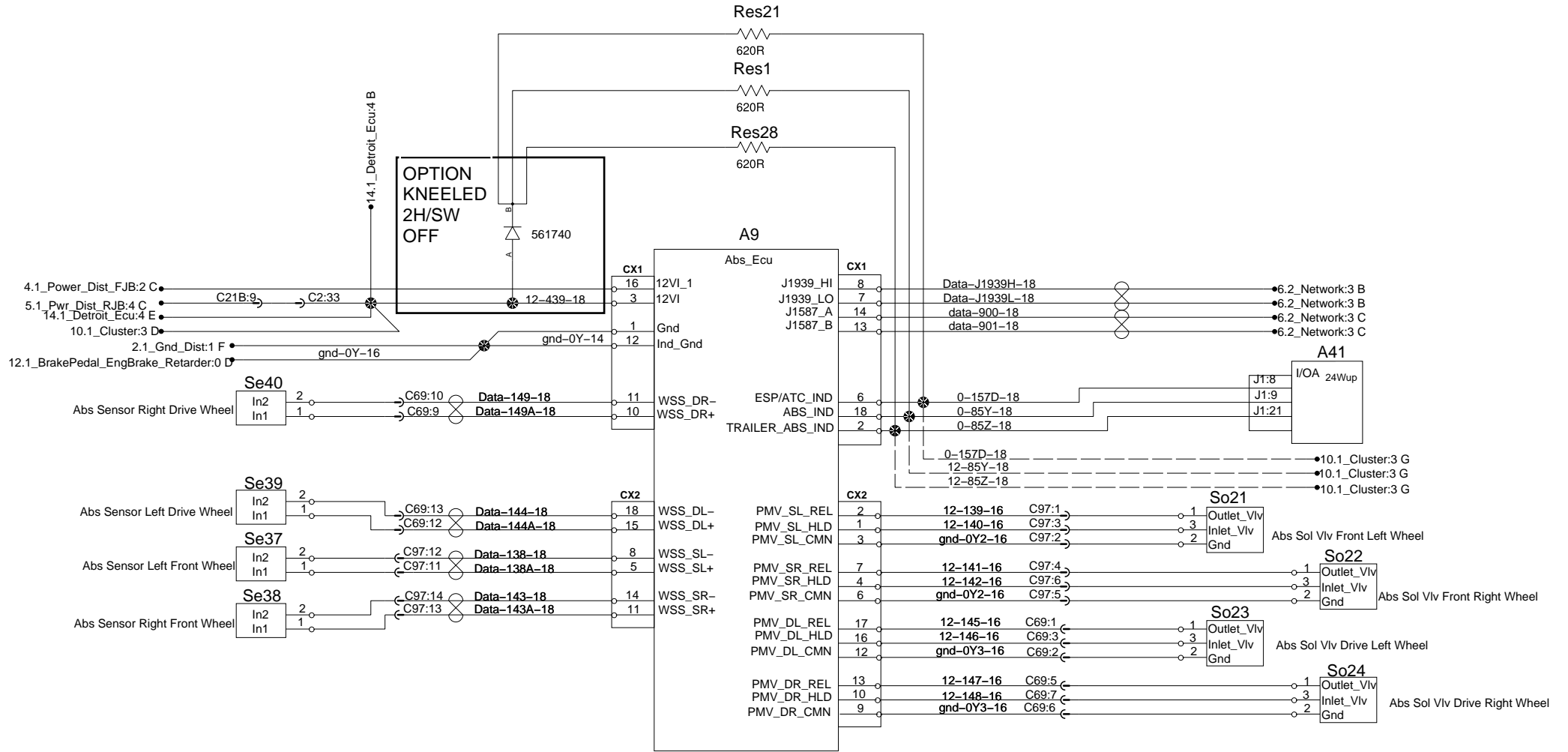
# ABS



# ABS



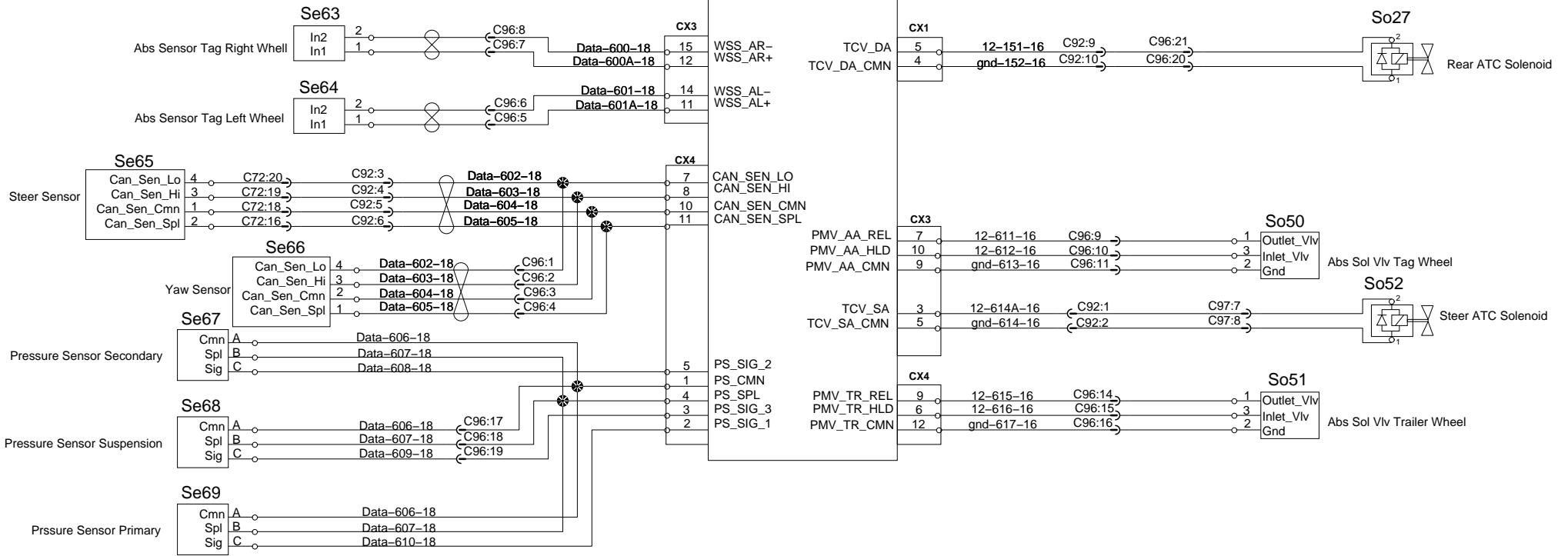
# ABS



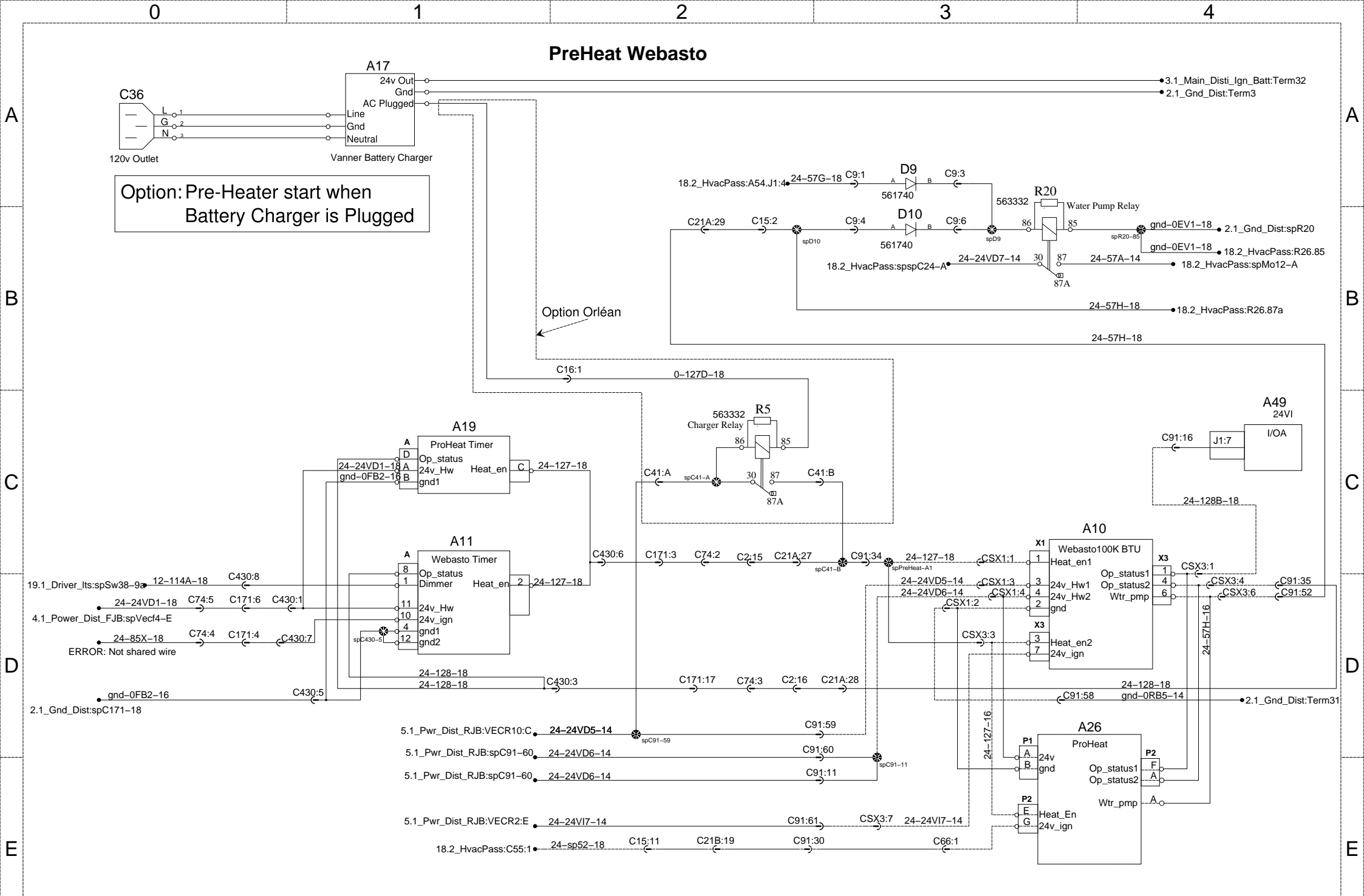
# ABS ESP

A9

Abs\_Ecu



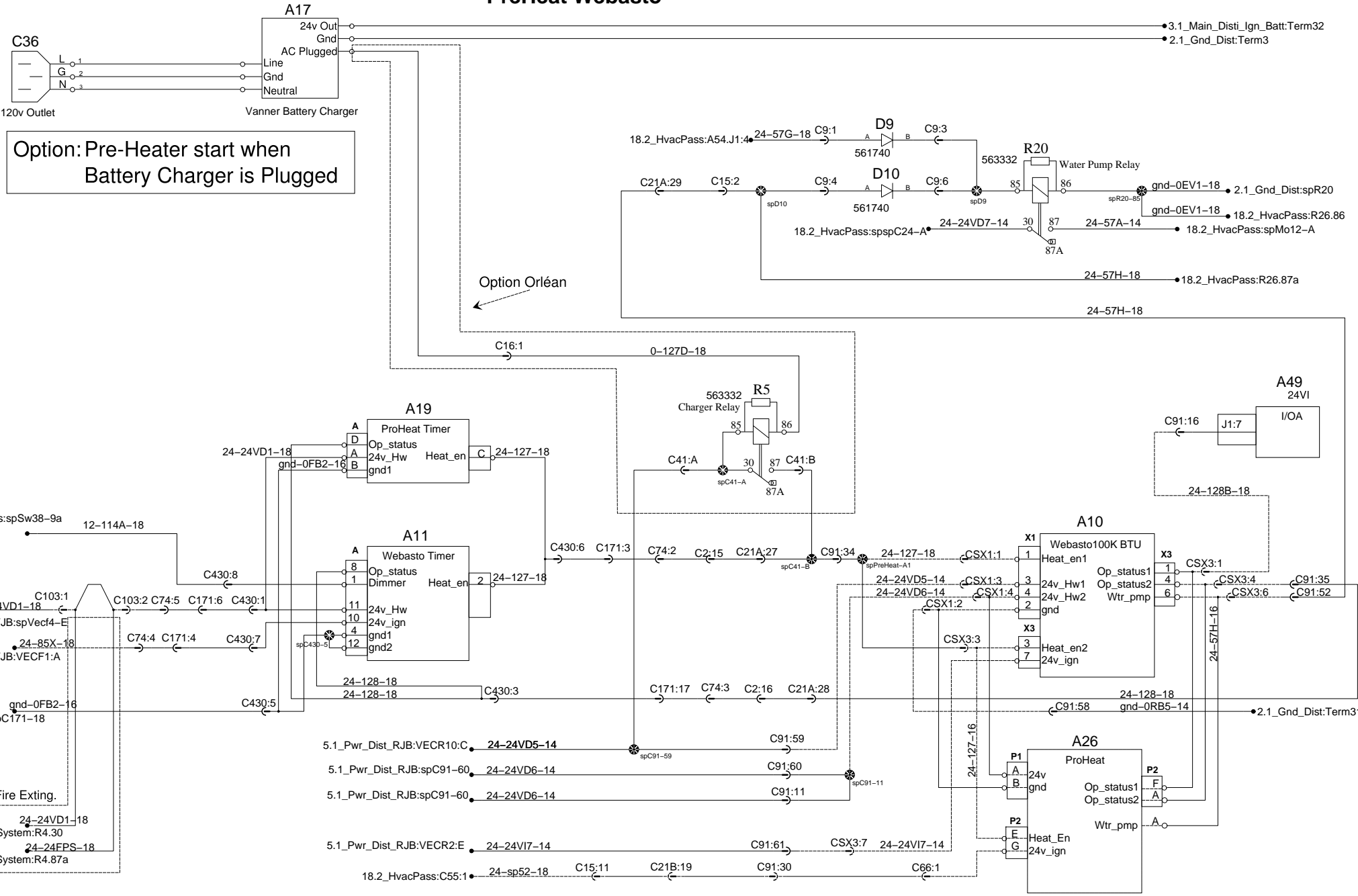
# PreHeat Webasto



Option: Pre-Heater start when Battery Charger is Plugged

Option Orléan

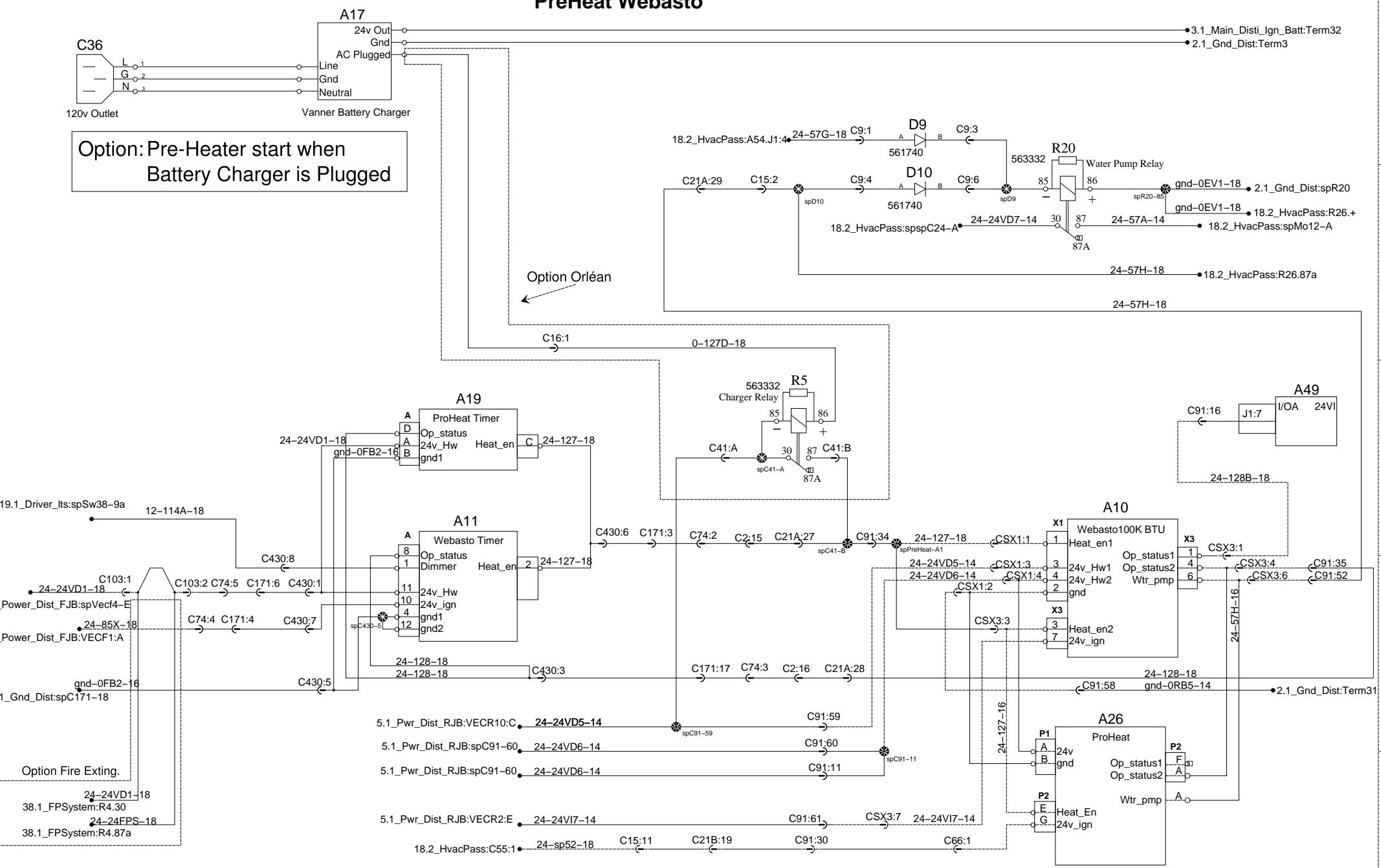
# PreHeat Webasto



# PreHeat Webasto

Option: Pre-Heater start when Battery Charger is Plugged

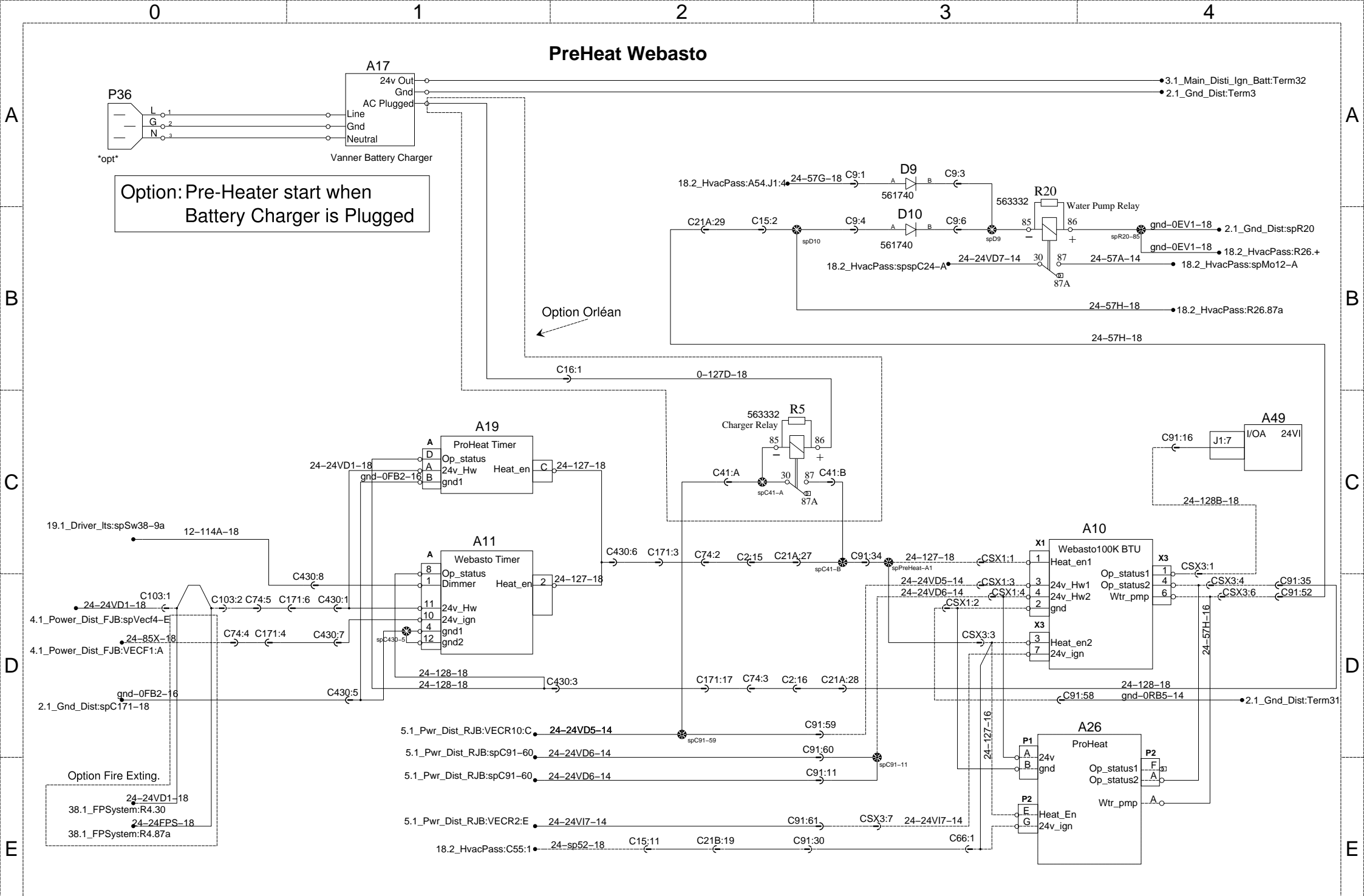
Option Orléan







# PreHeat Webasto

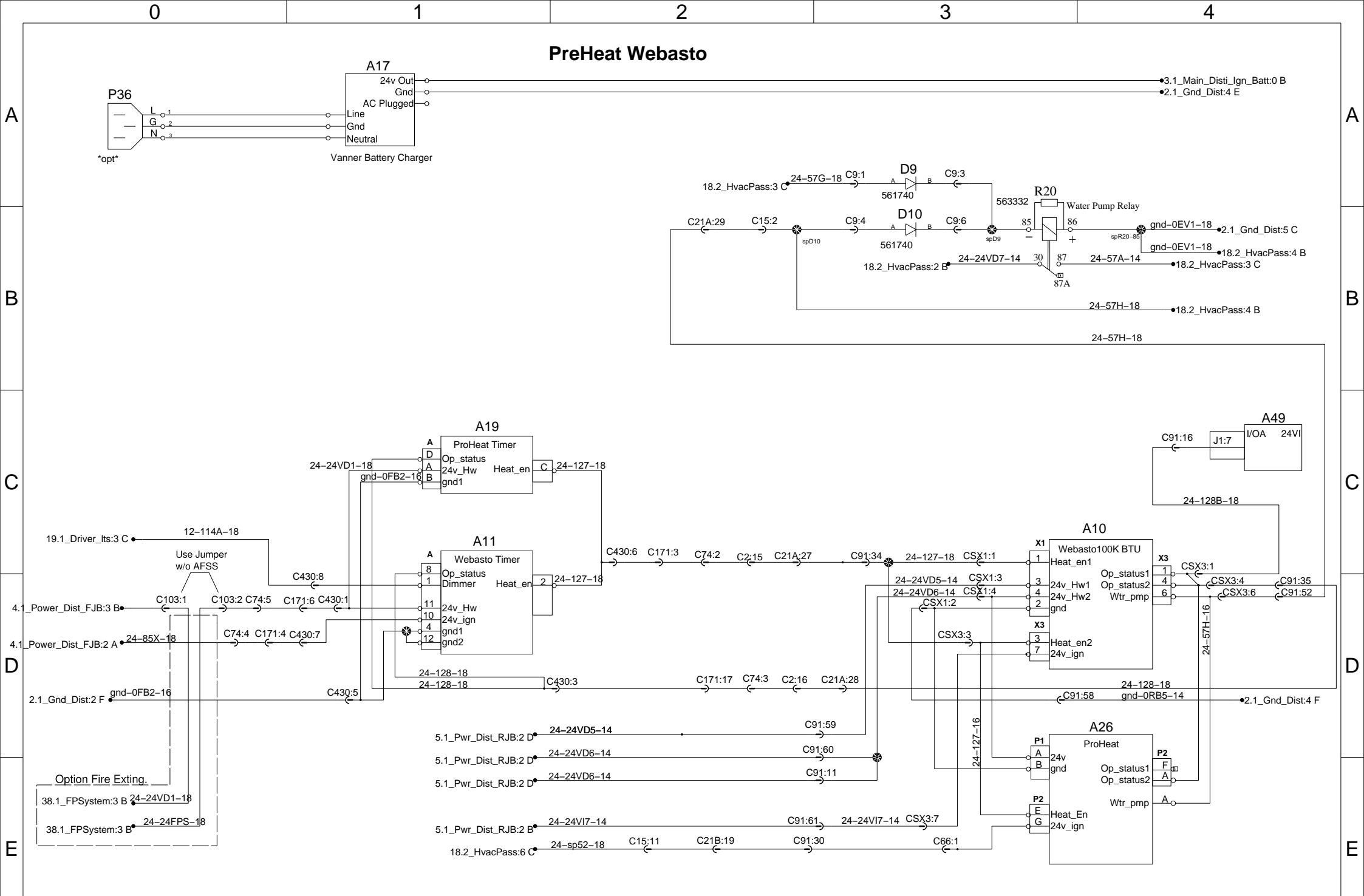


Option: Pre-Heater start when Battery Charger is Plugged

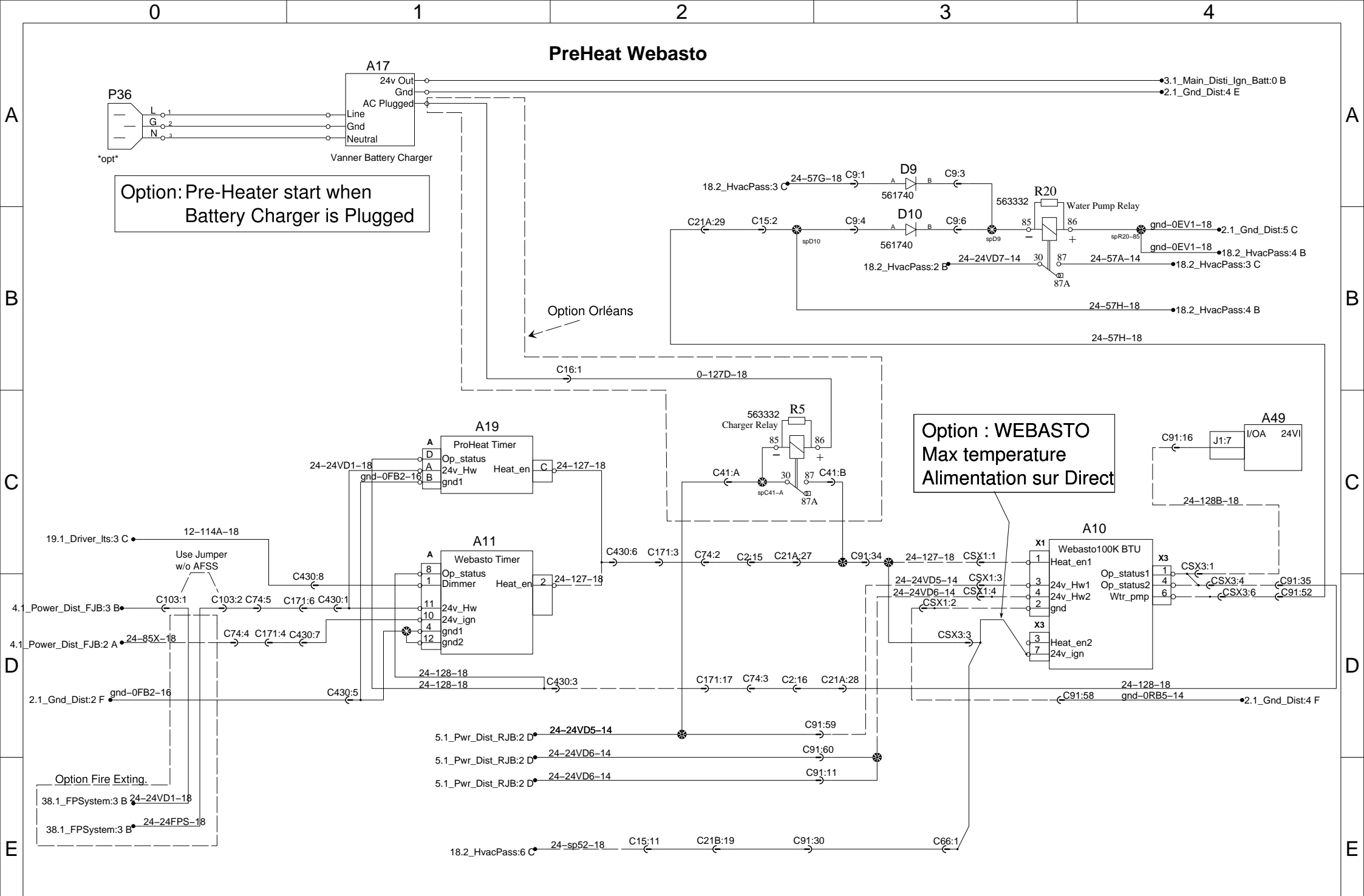
Option Orléan

Option Fire Exting.

# PreHeat Webasto



# PreHeat Webasto

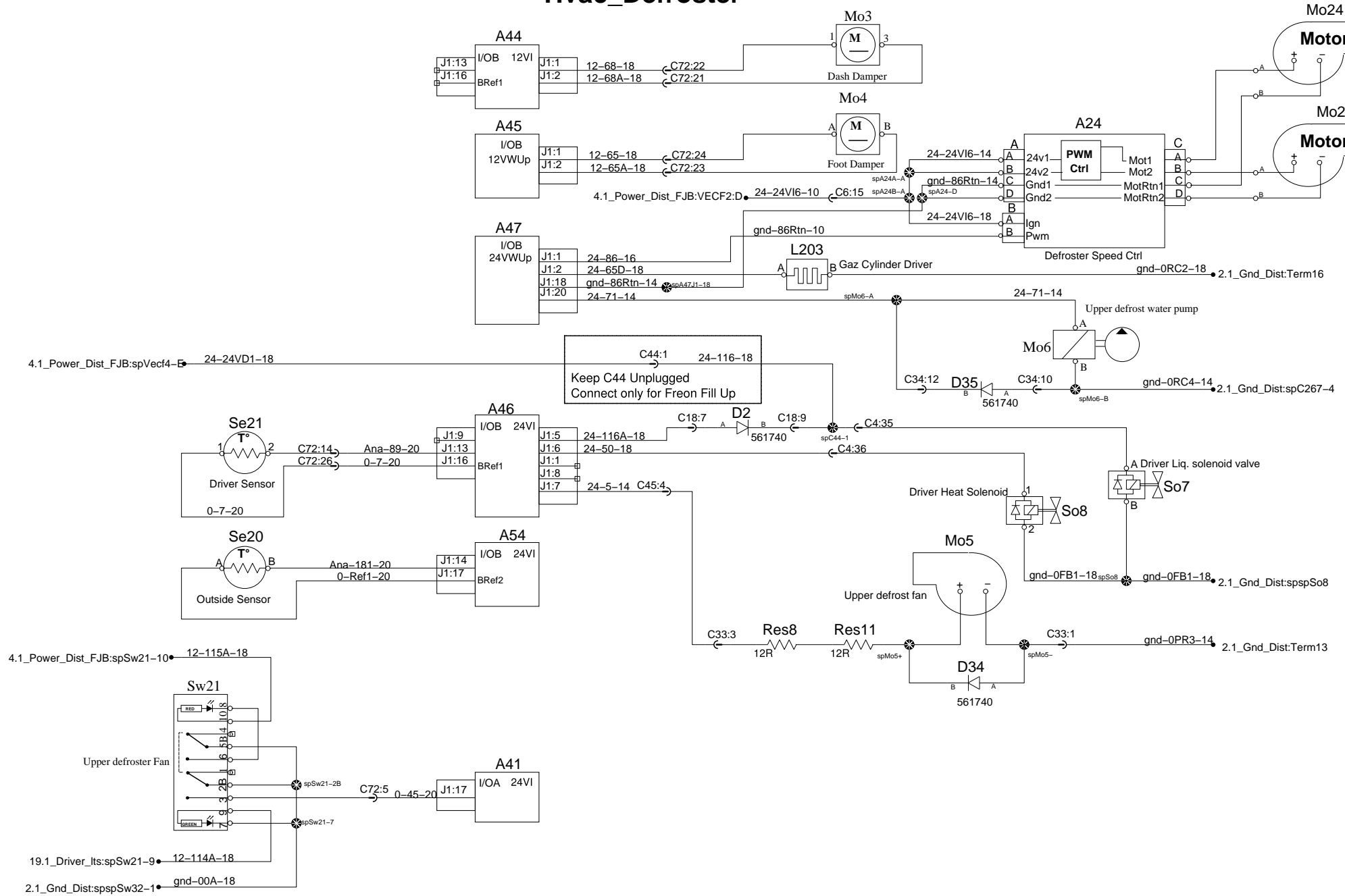


Option: Pre-Heater start when Battery Charger is Plugged

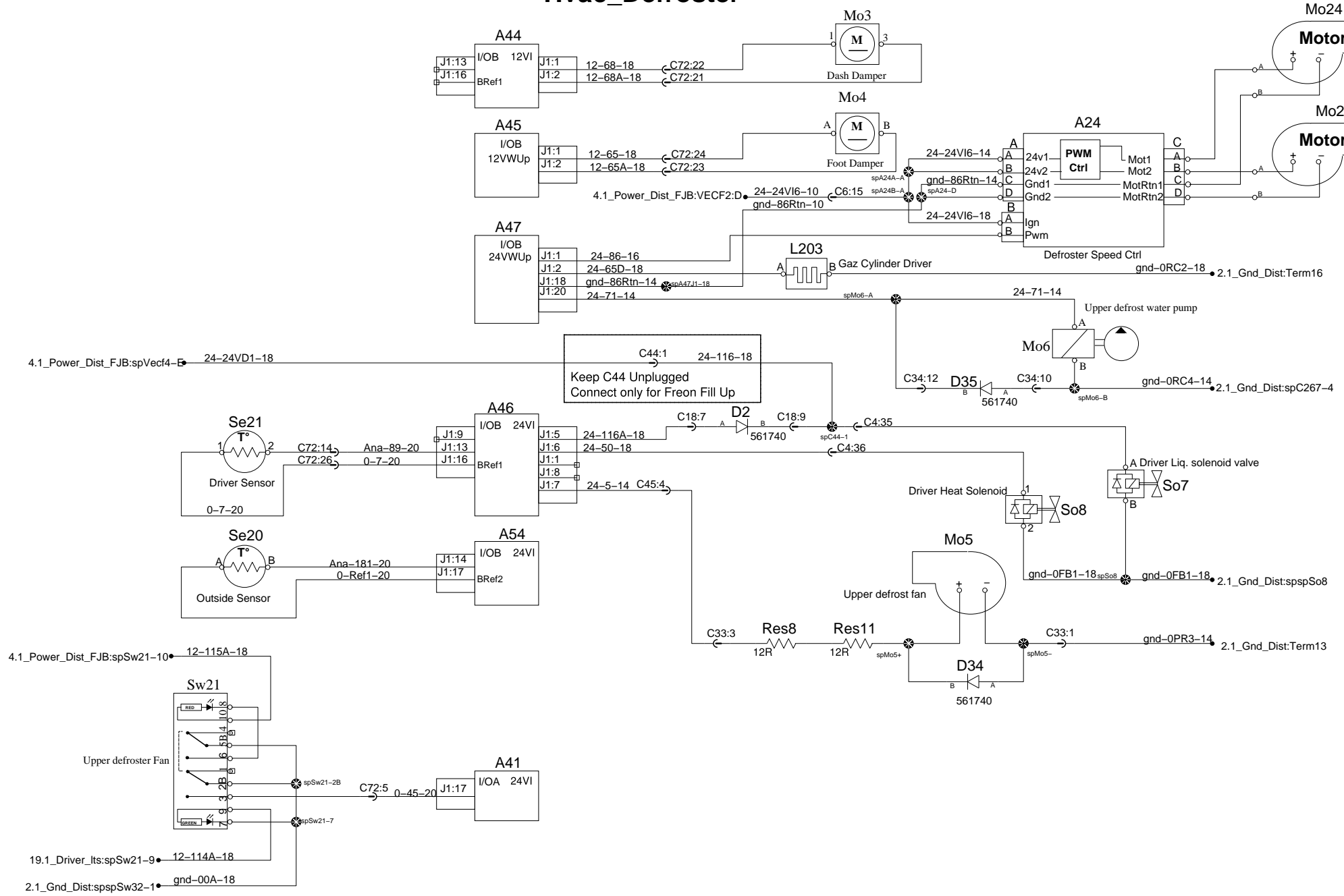
Option : WEBASTO Max temperature Alimentation sur Direct

Option Fire Exting.  
 38.1\_FPSsystem:3 B 24-24VD1-18  
 38.1\_FPSsystem:3 B 24-24FPS-18

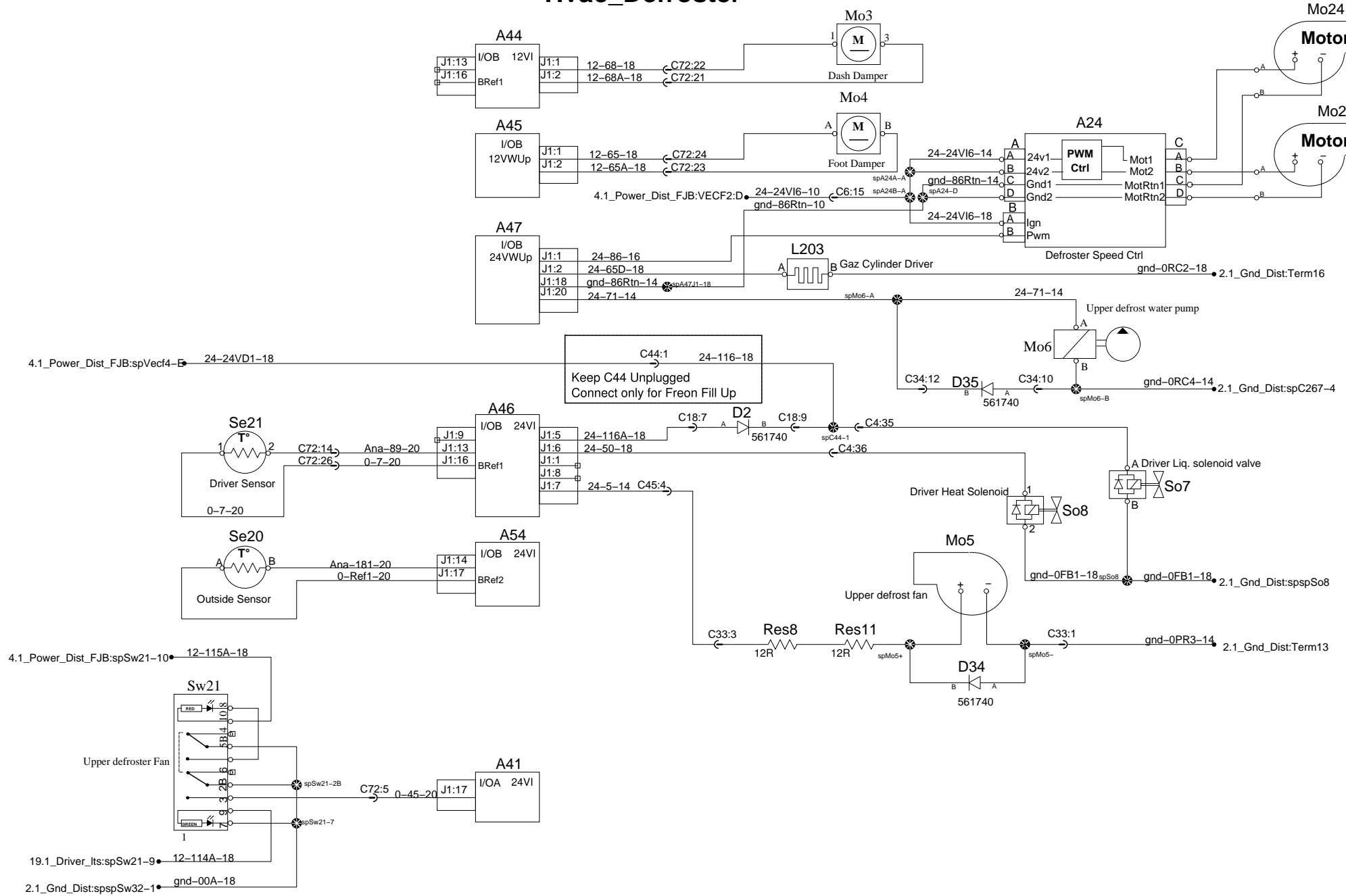
# Hvac\_Defroster



# Hvac\_Defroster



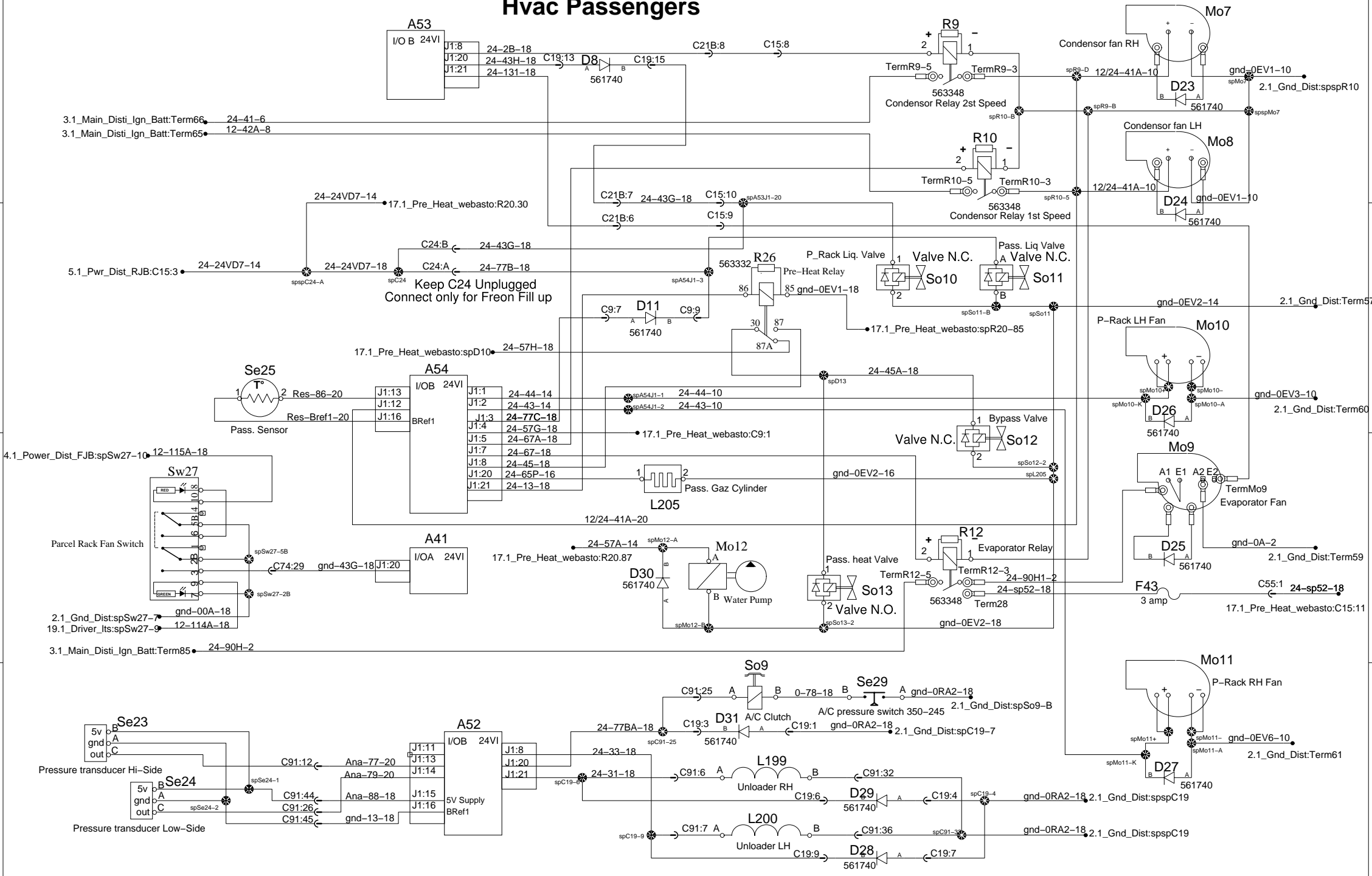
# Hvac\_Defroster





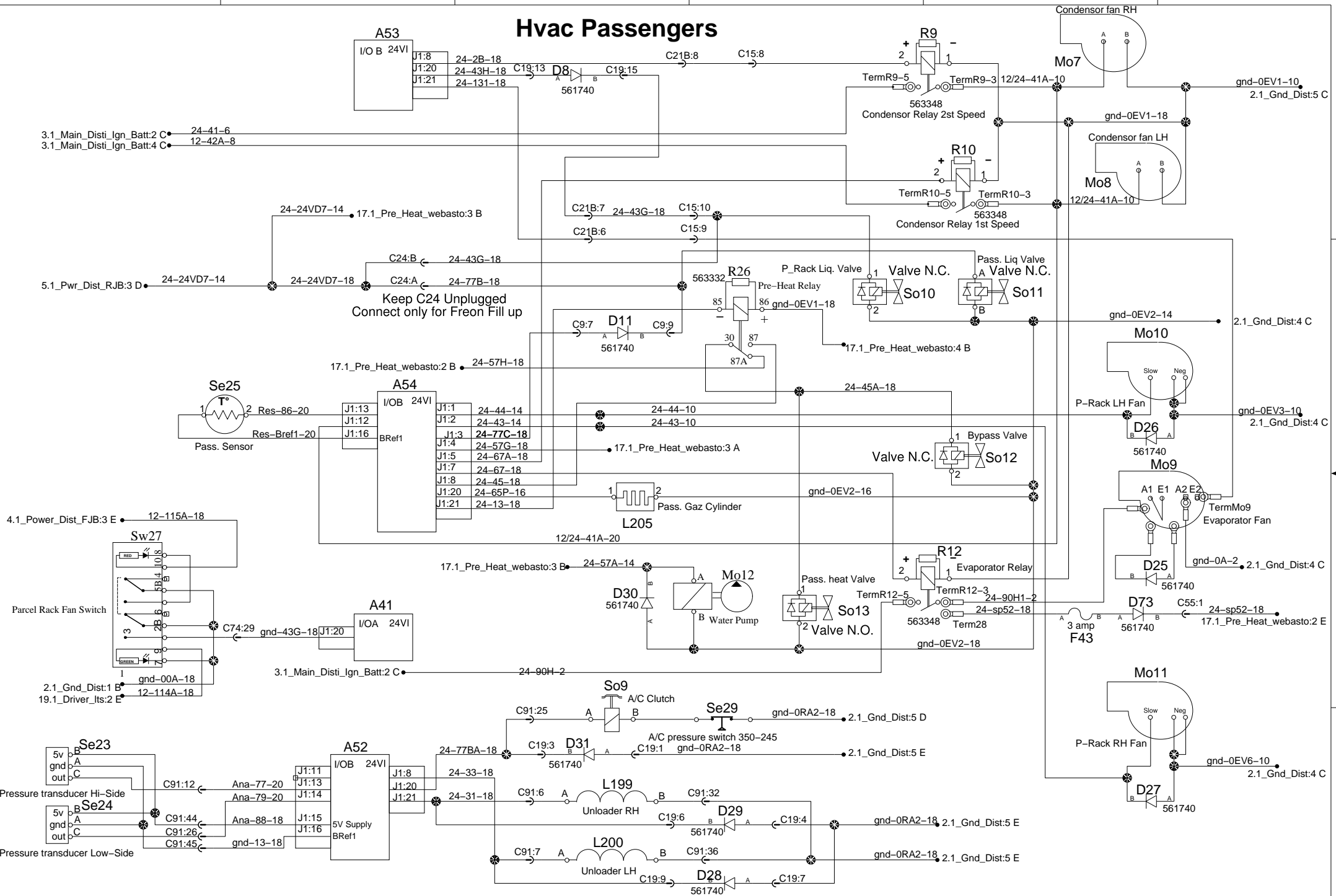


# Hvac Passengers

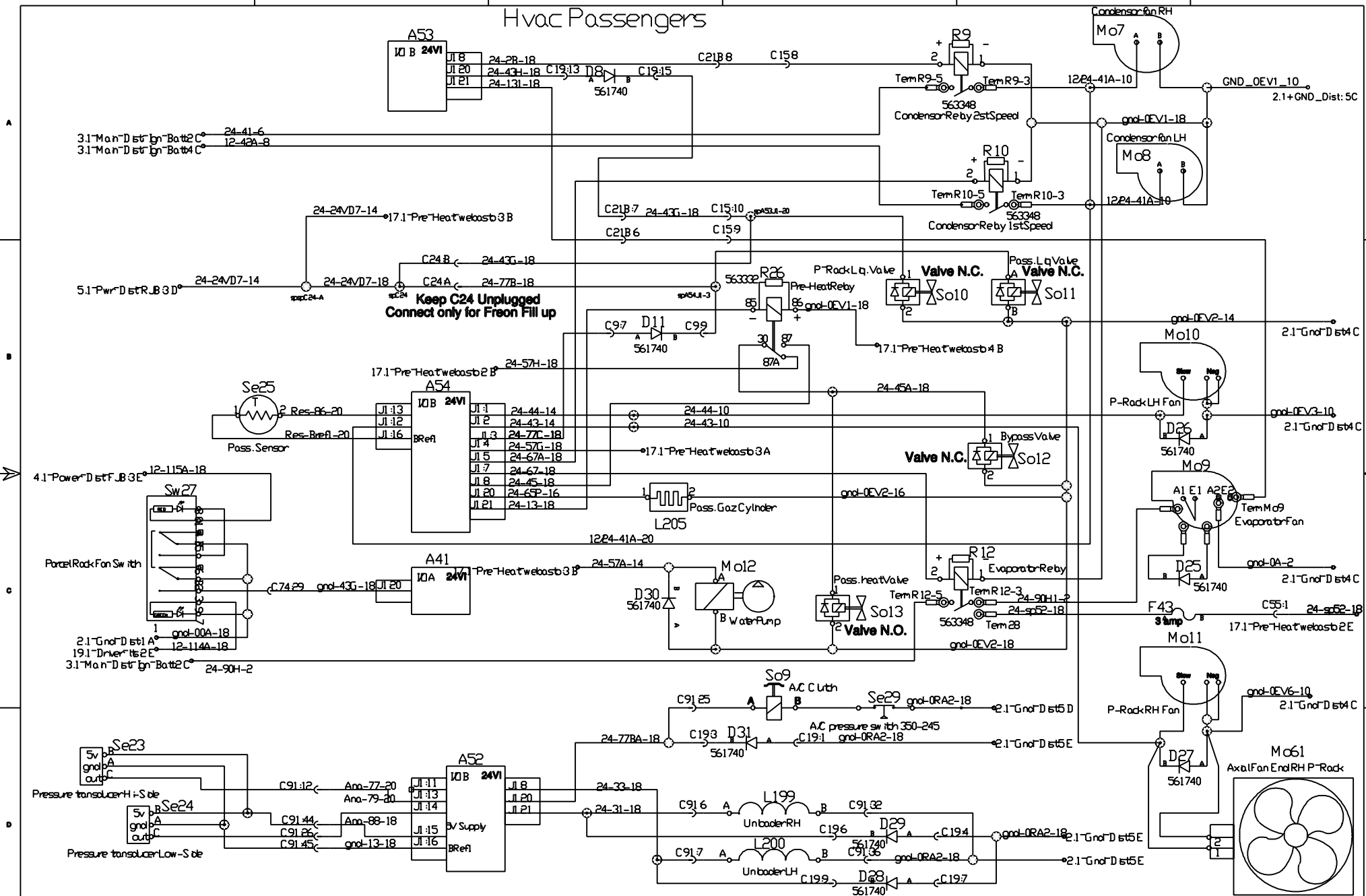




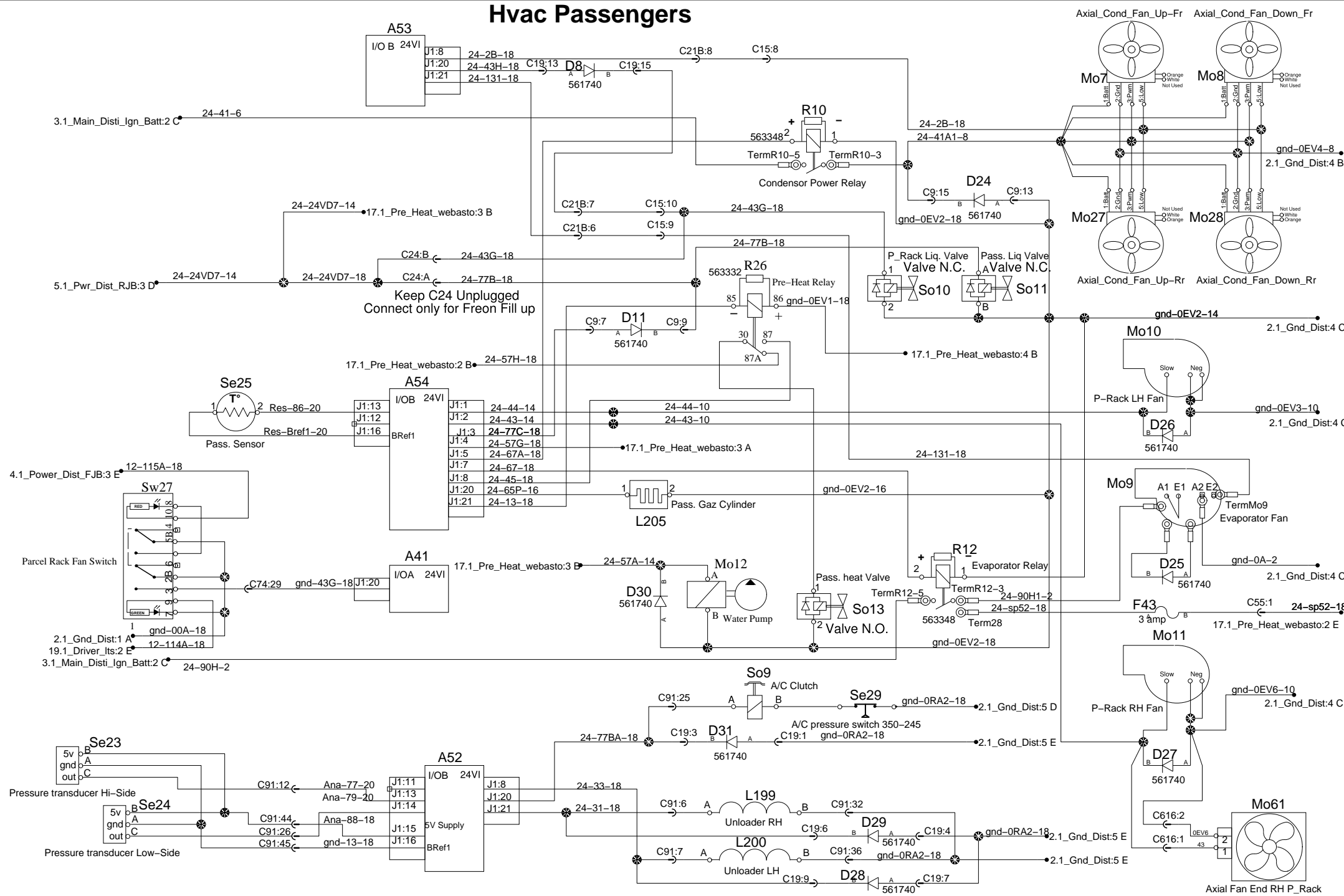
# Hvac Passengers



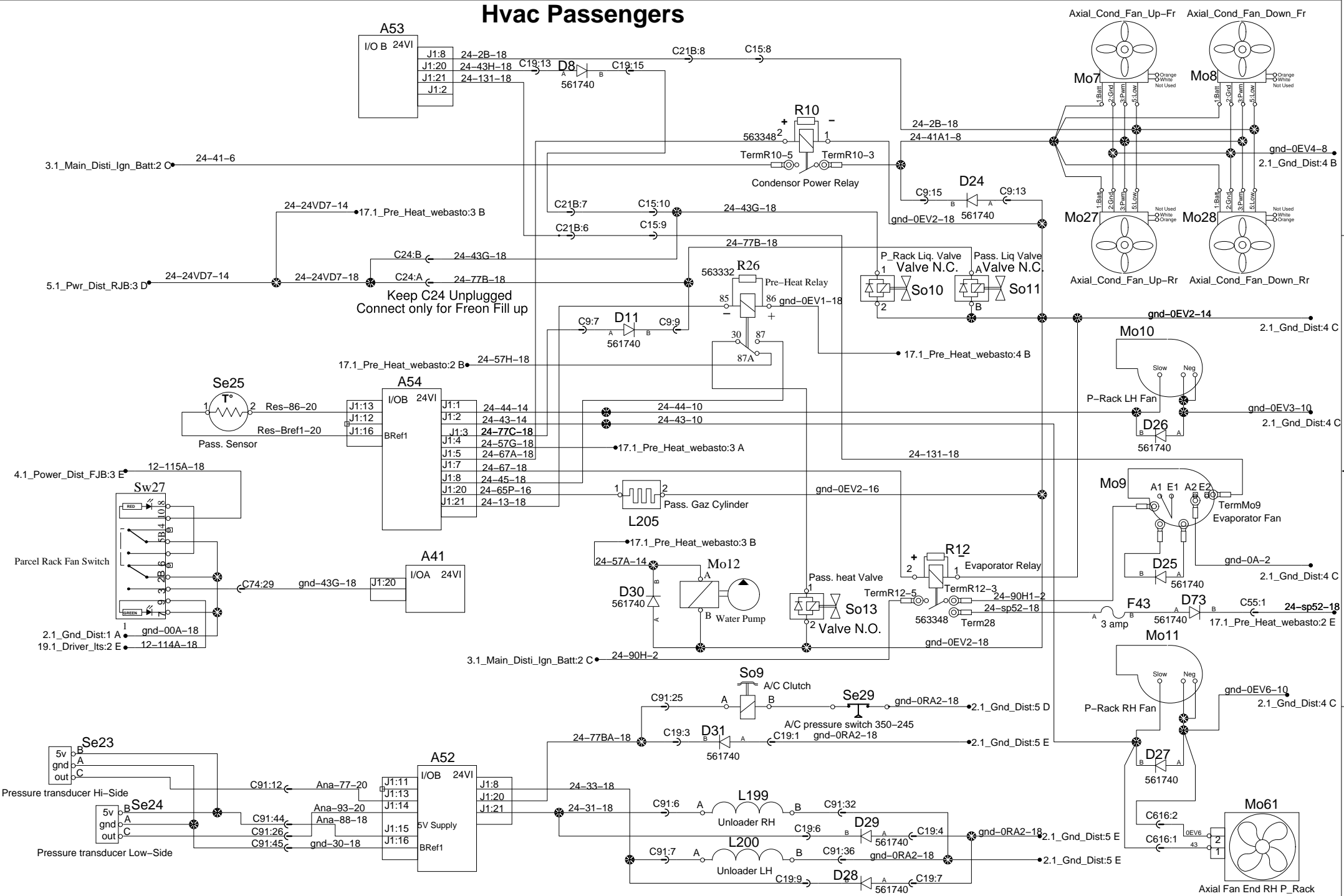
# Hvac Passengers



# Hvac Passengers

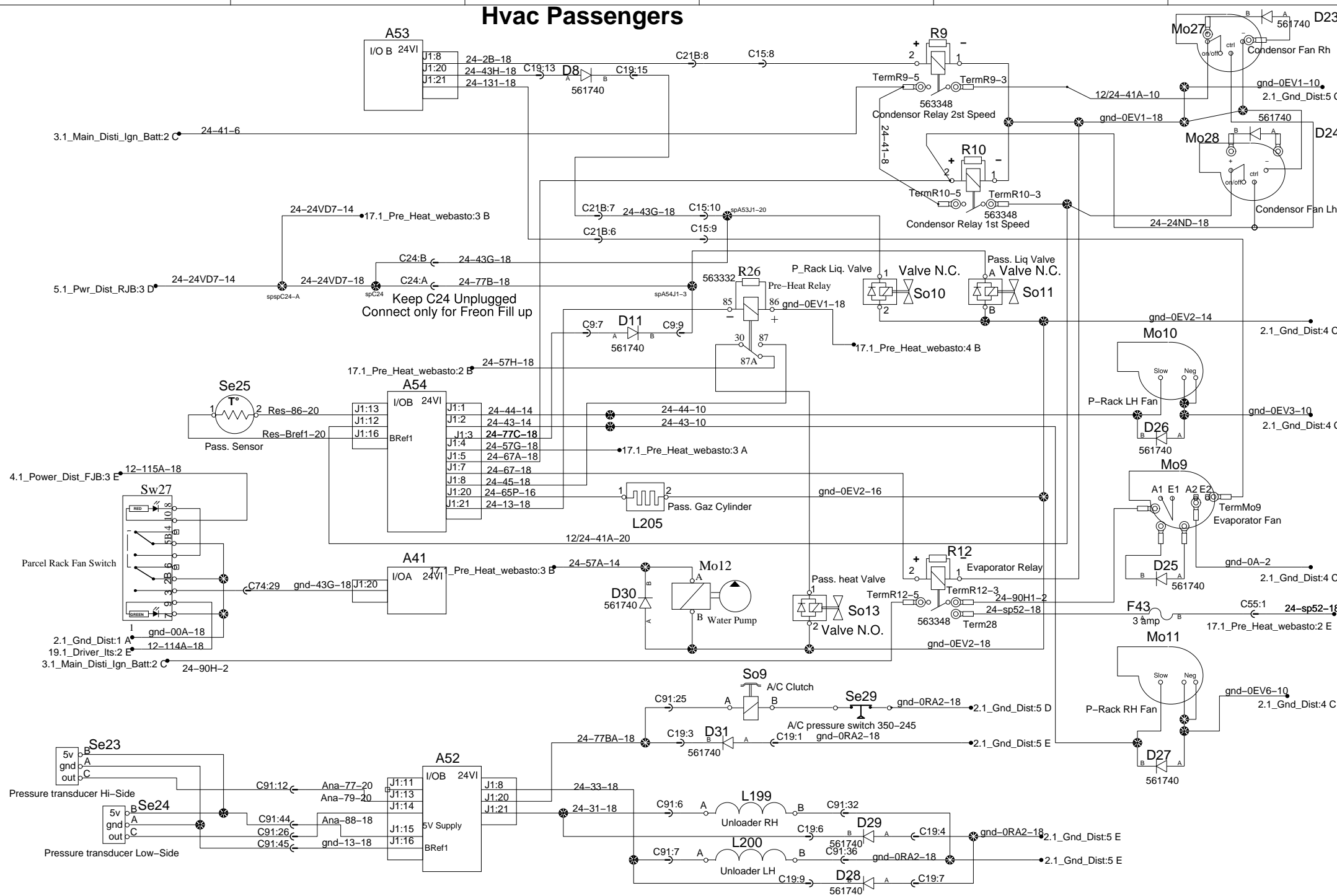


# Hvac Passengers





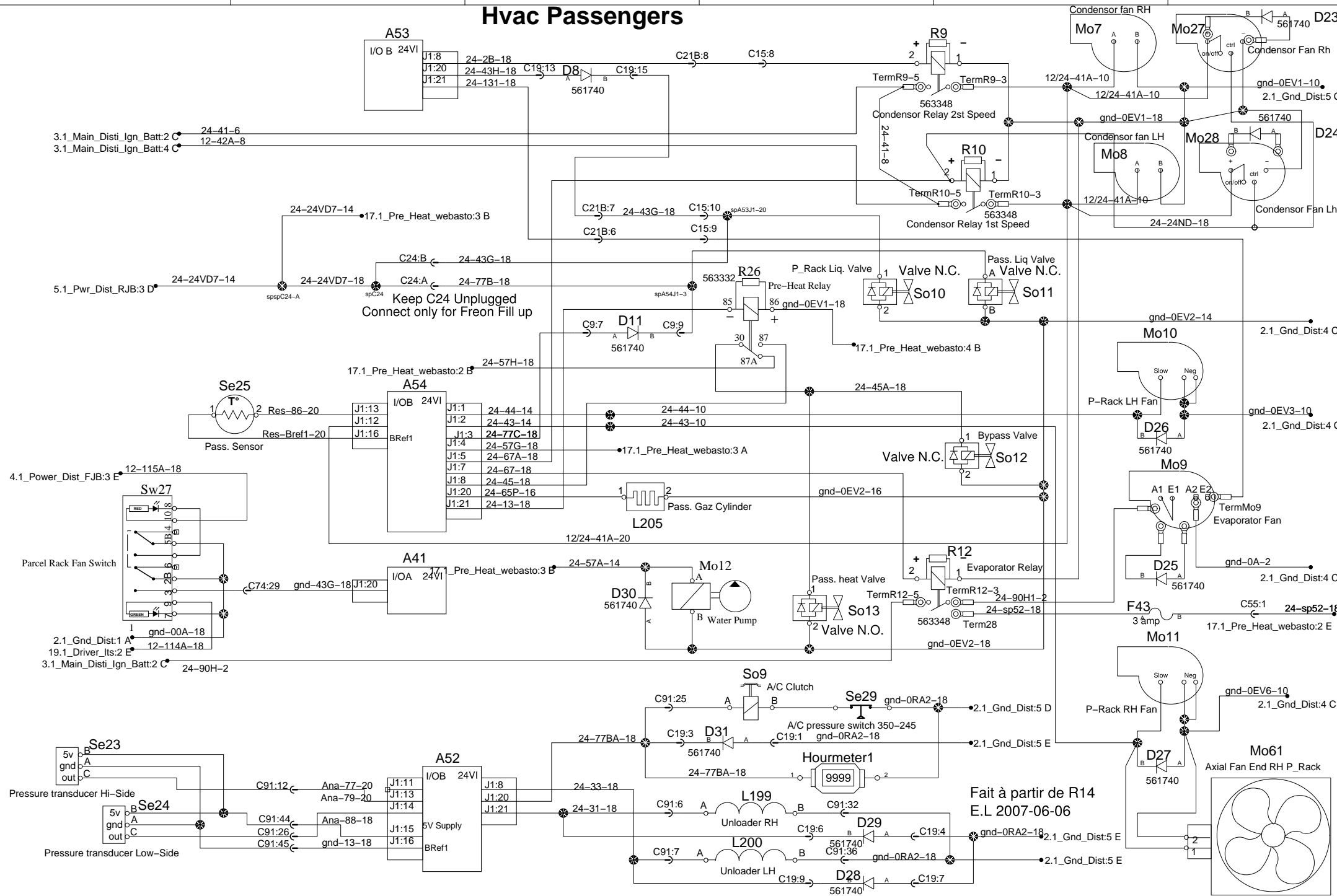
# Hvac Passengers







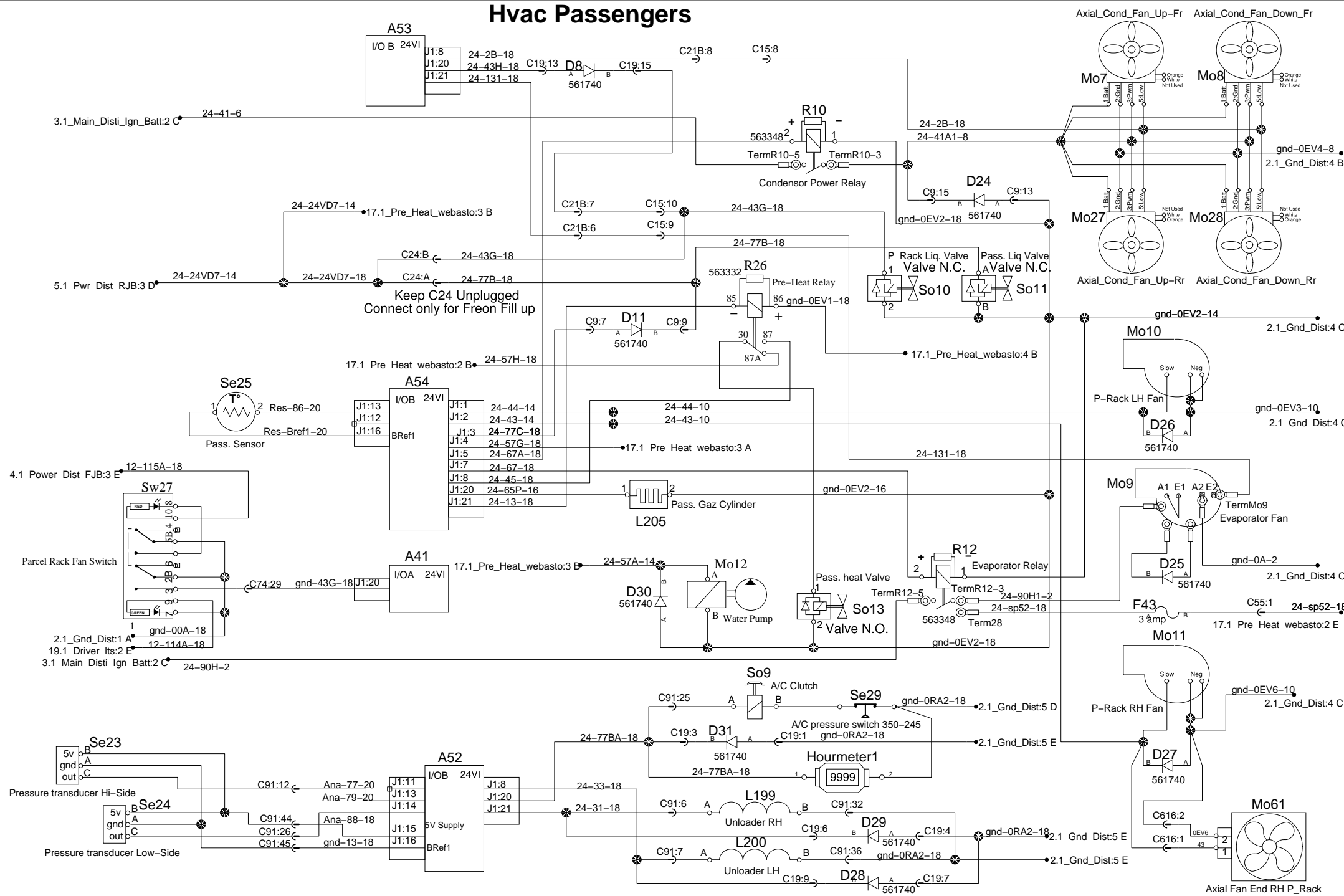
# Hvac Passengers



Keep C24 Unplugged  
Connect only for Freon Fill up

Fait à partir de R14  
E.L 2007-06-06

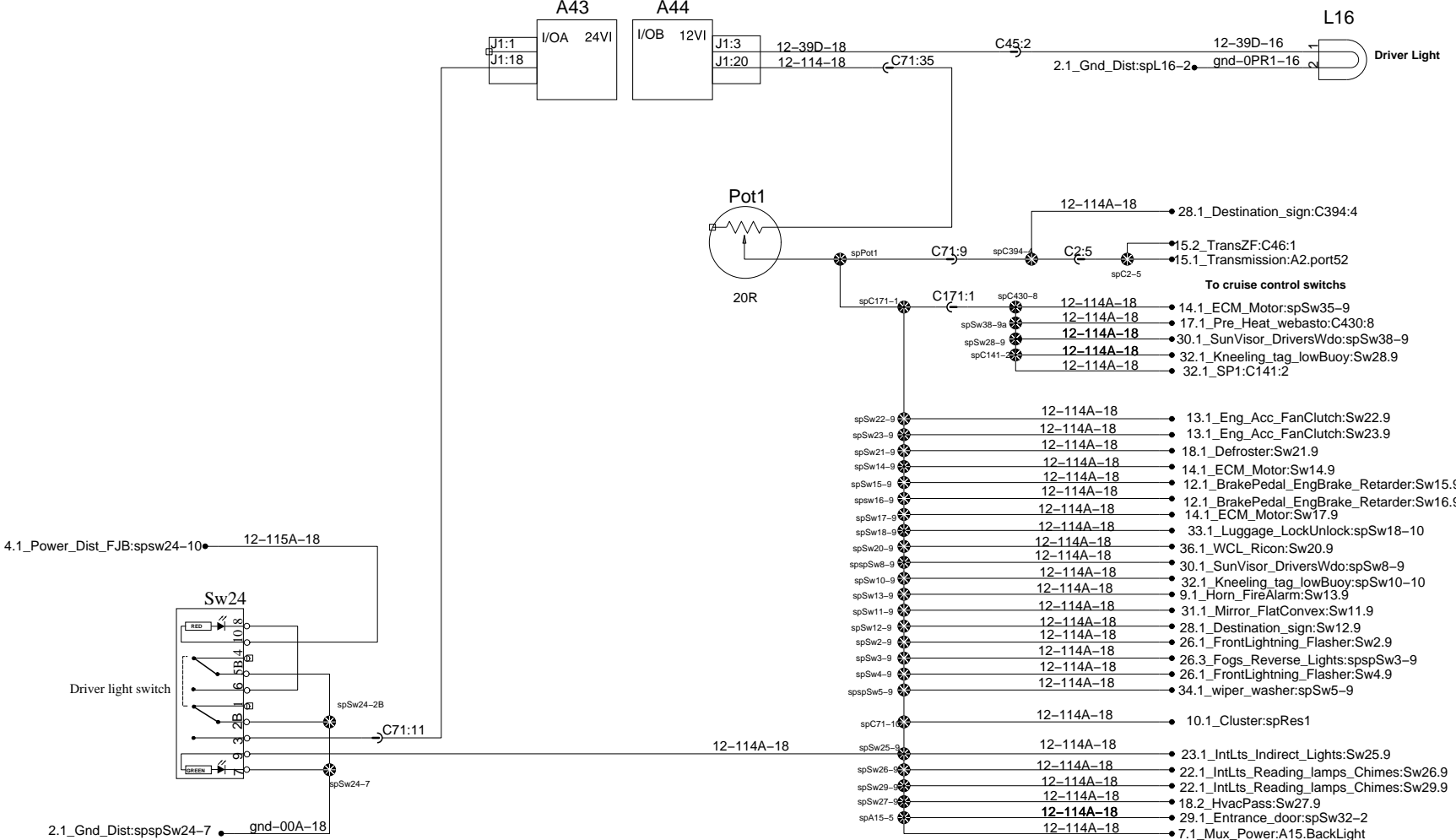
# Hvac Passengers





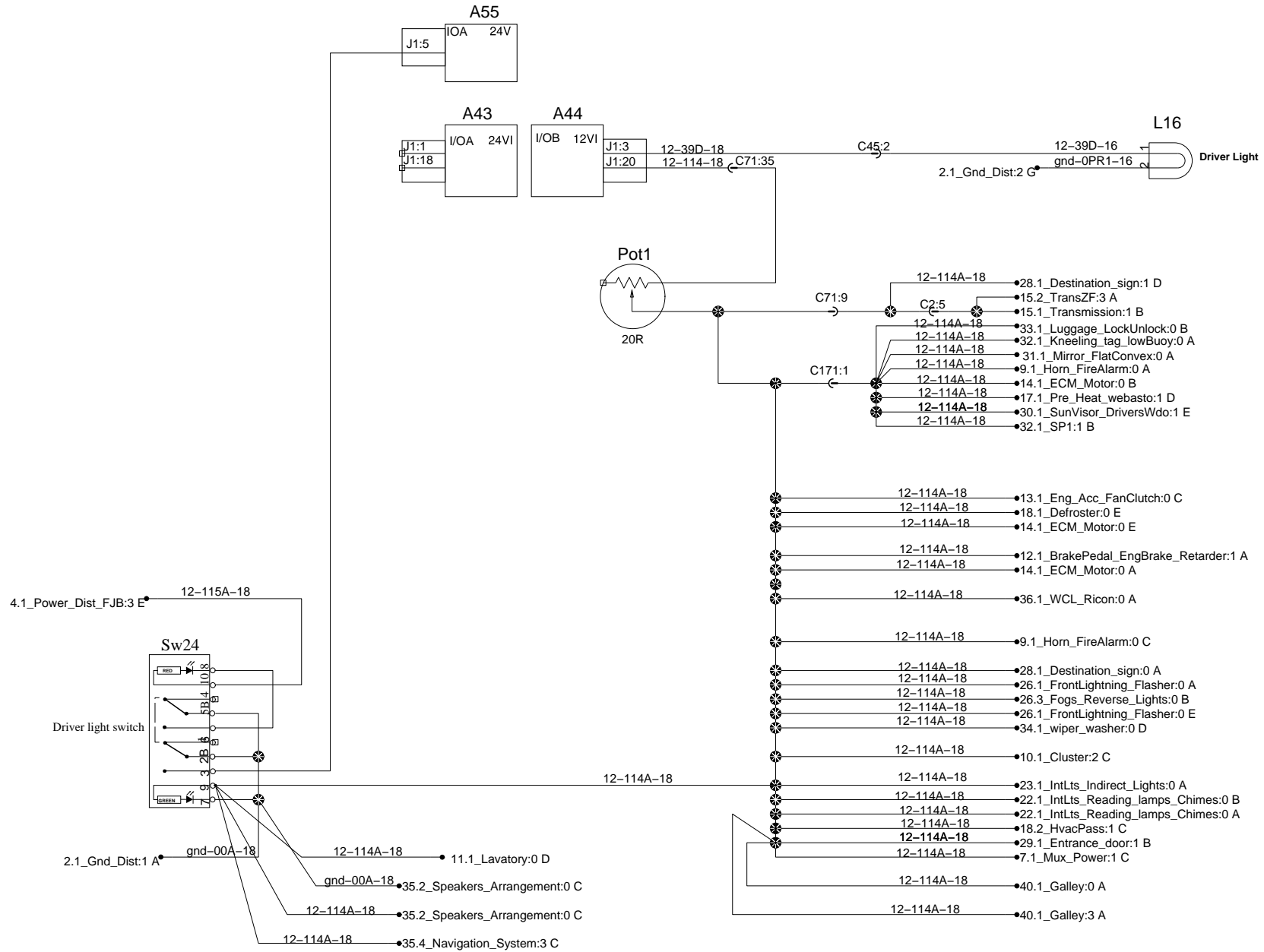


# Driver lights



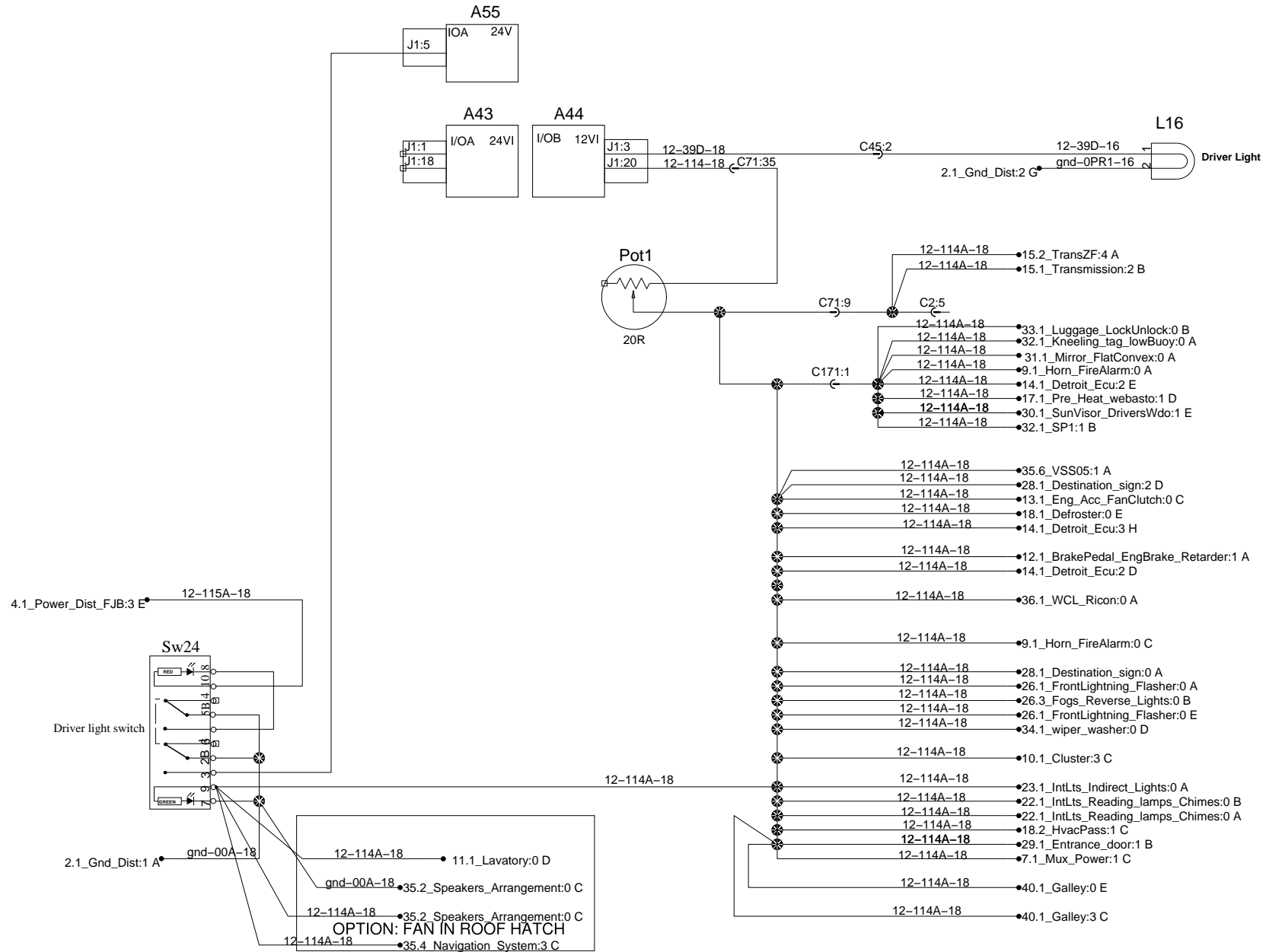


# Driver lights



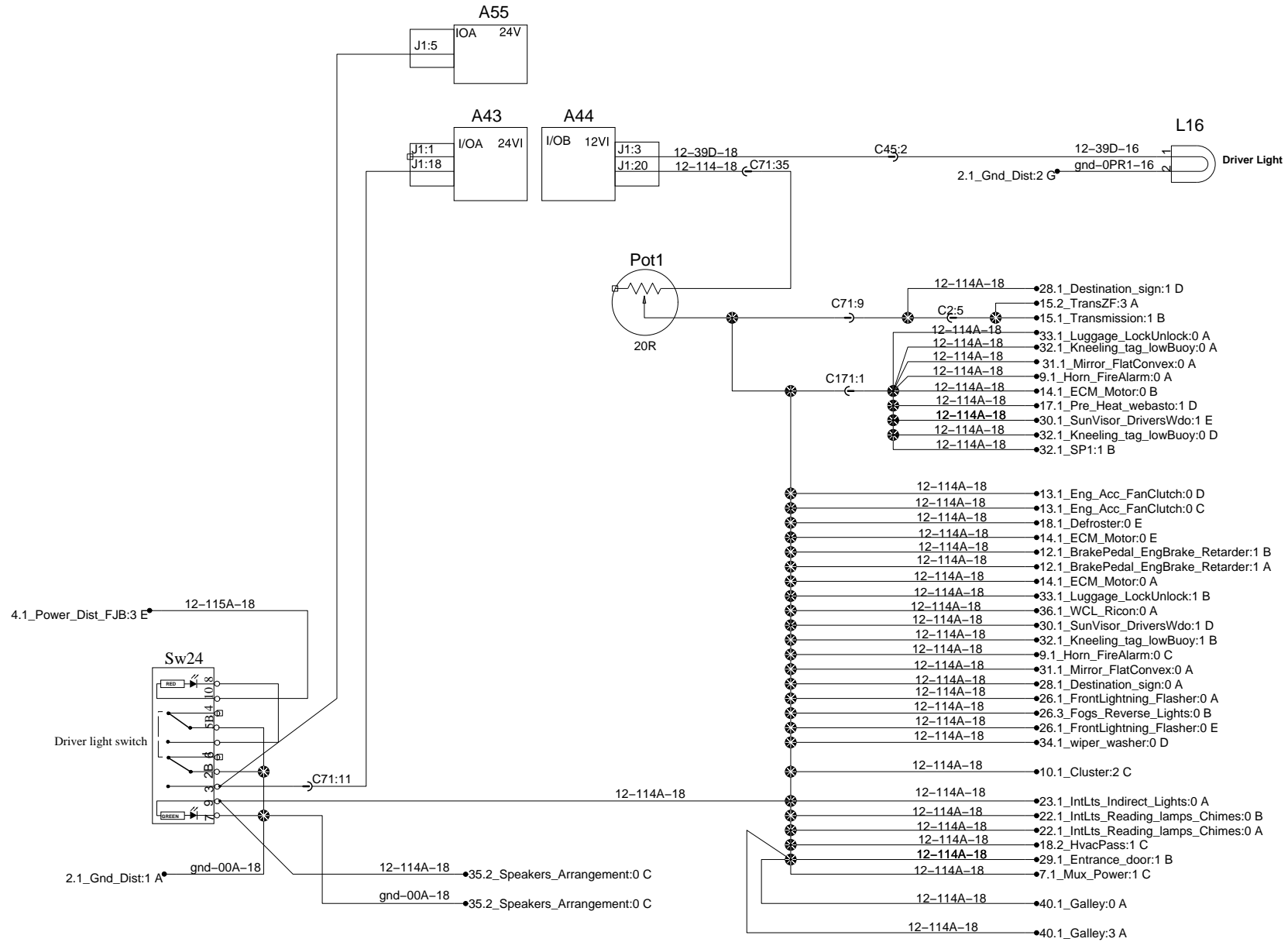


# Driver lights

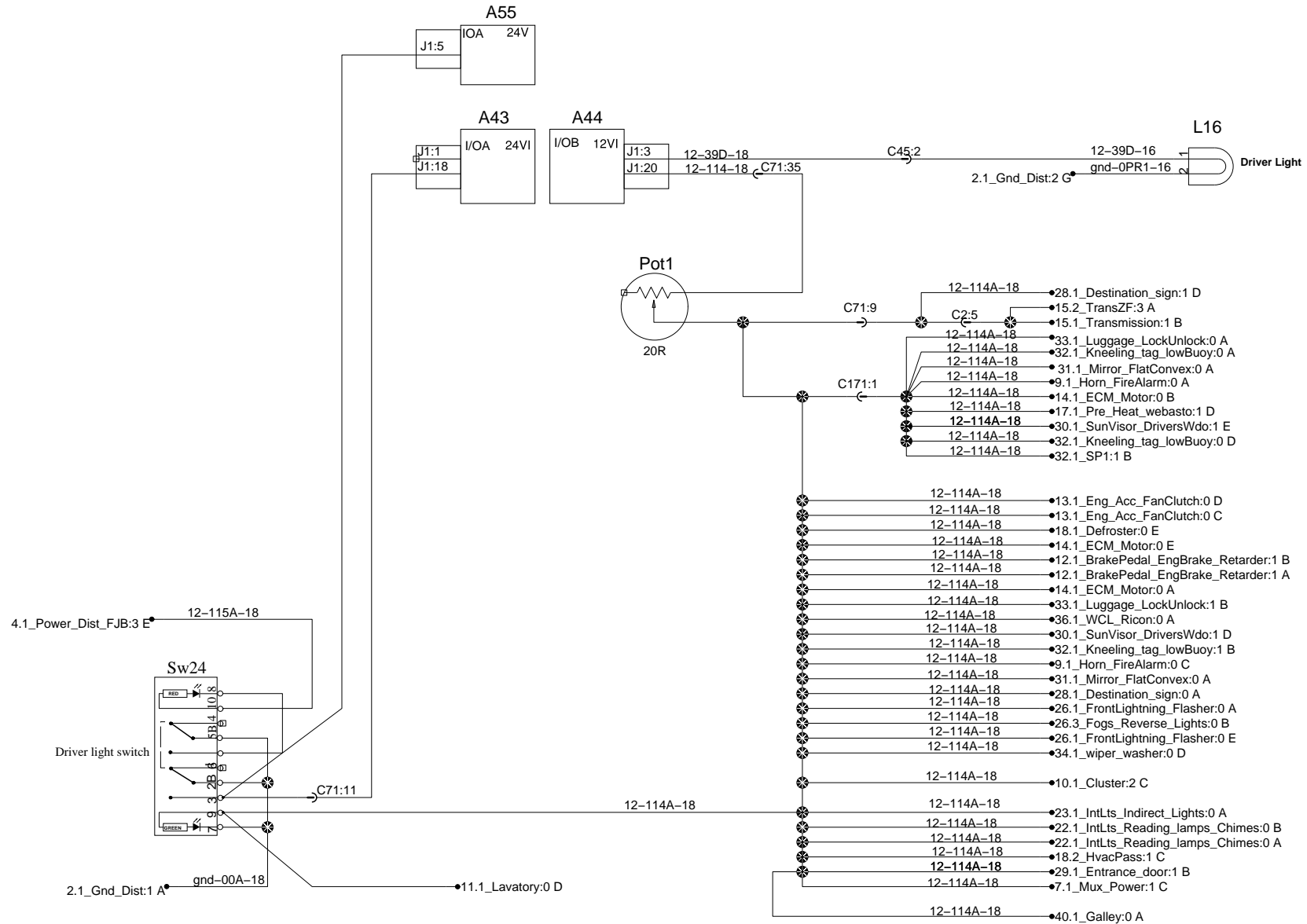




# Driver lights



# Driver lights







0

1

2

3

4

A

A

B

B

C

C

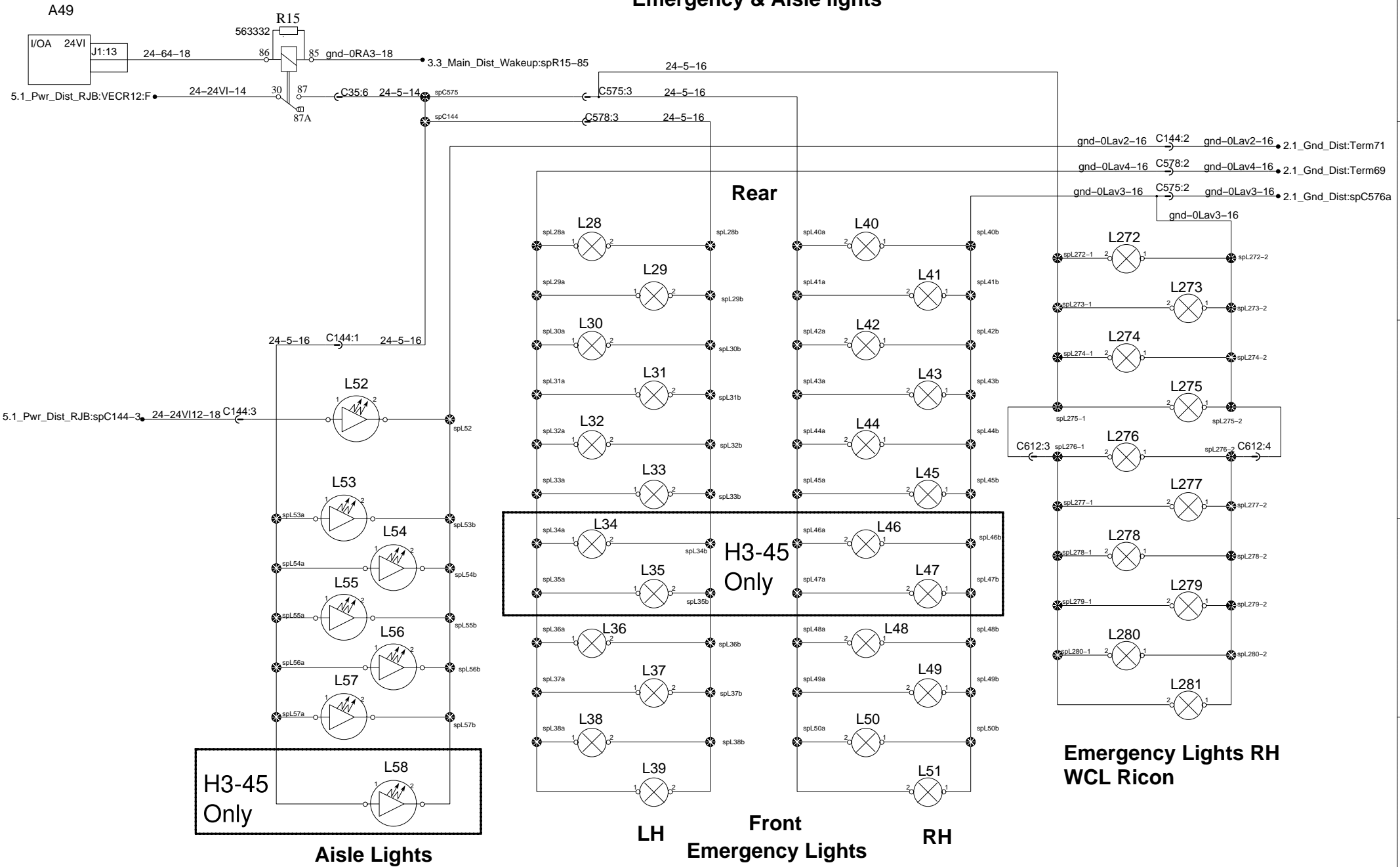
D

D

E

E

### Emergency & Aisle lights



0

1

2

3

4

A

A

B

B

C

C

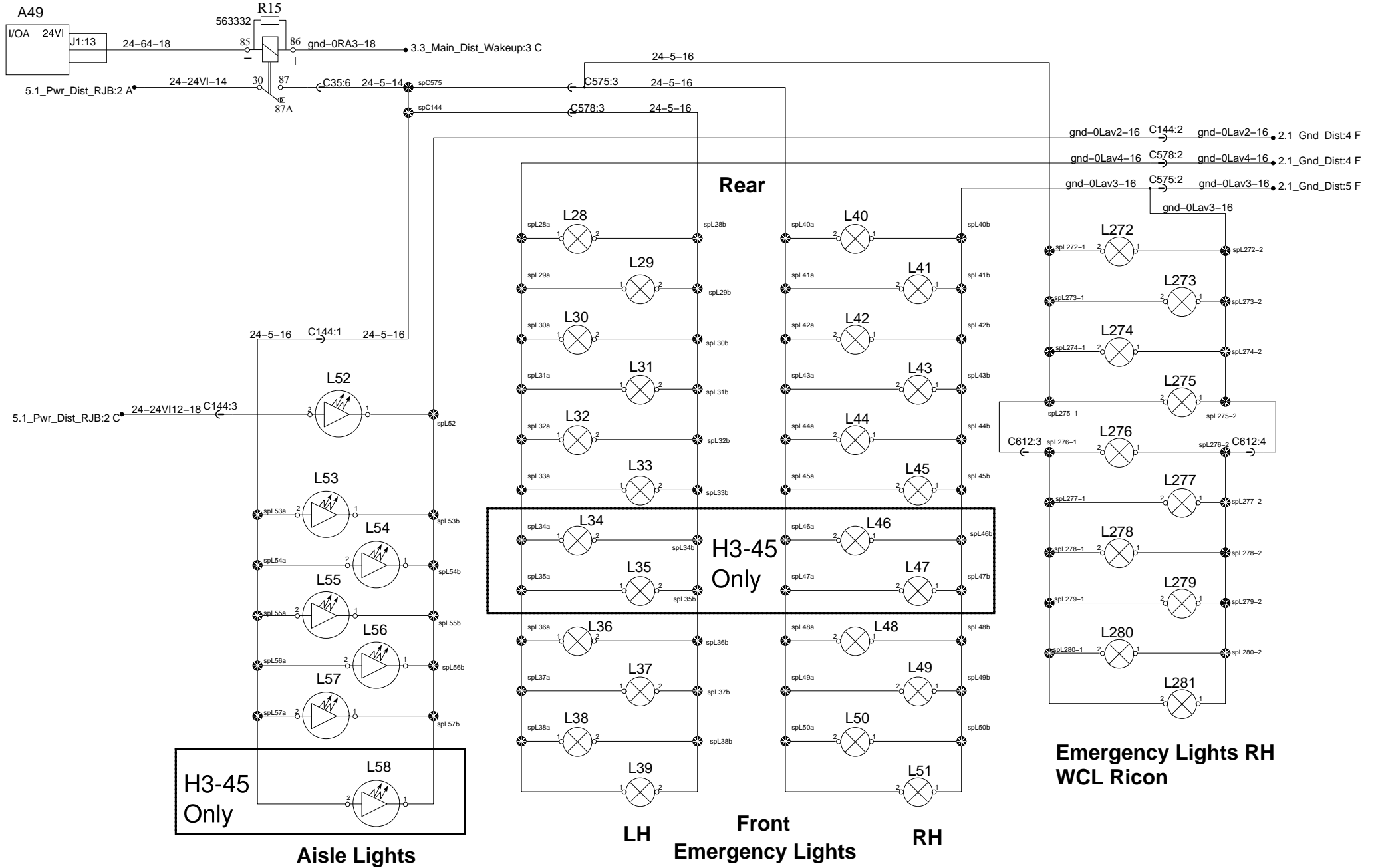
D

D

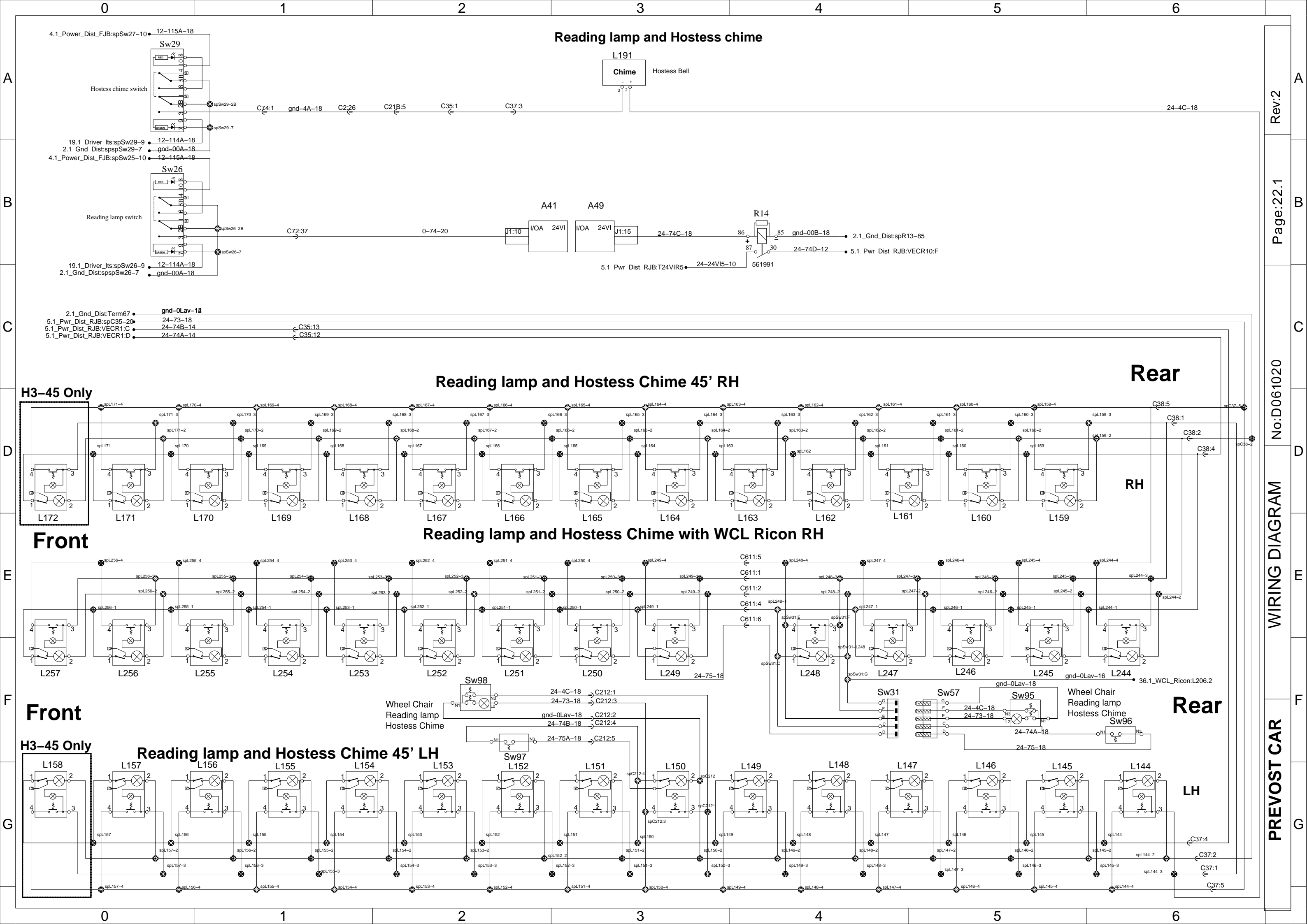
E

E

### Emergency & Aisle lights





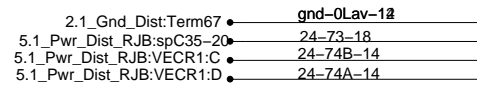
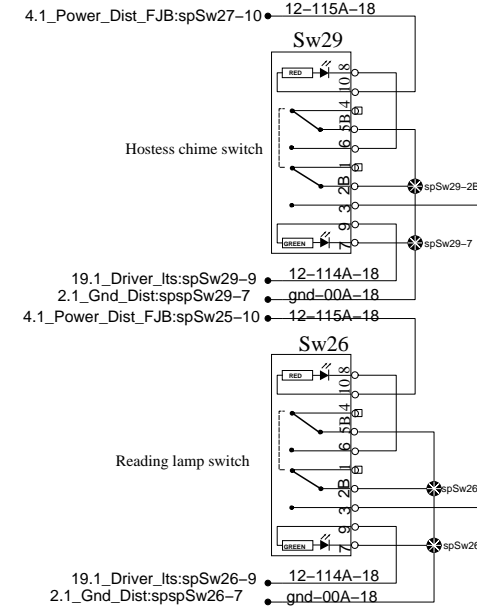


**Reading lamp and Hostess chime**

**Reading lamp and Hostess Chime 45' RH**

**Reading lamp and Hostess Chime with WCL Ricon RH**

**Reading lamp and Hostess Chime 45' LH**

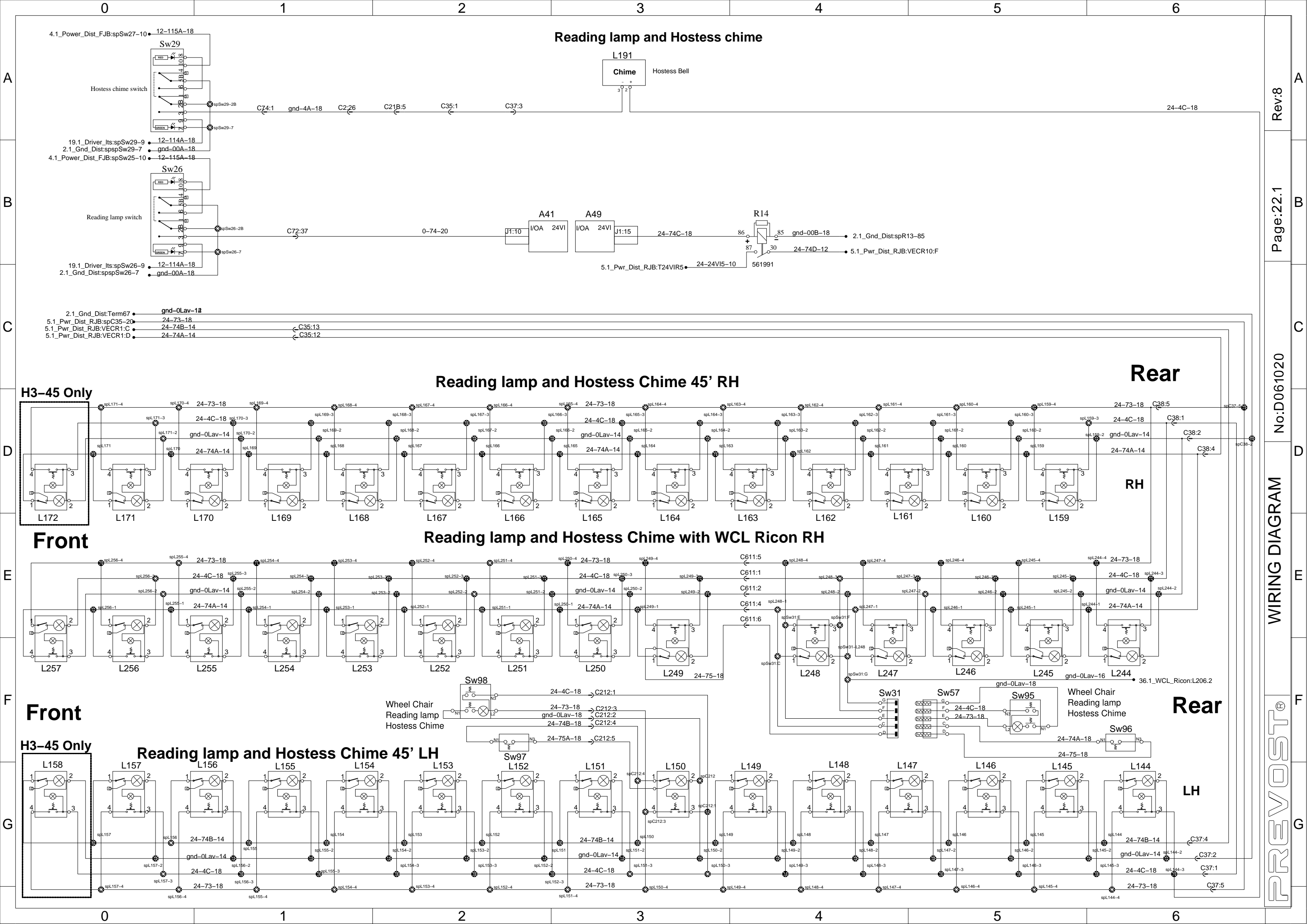


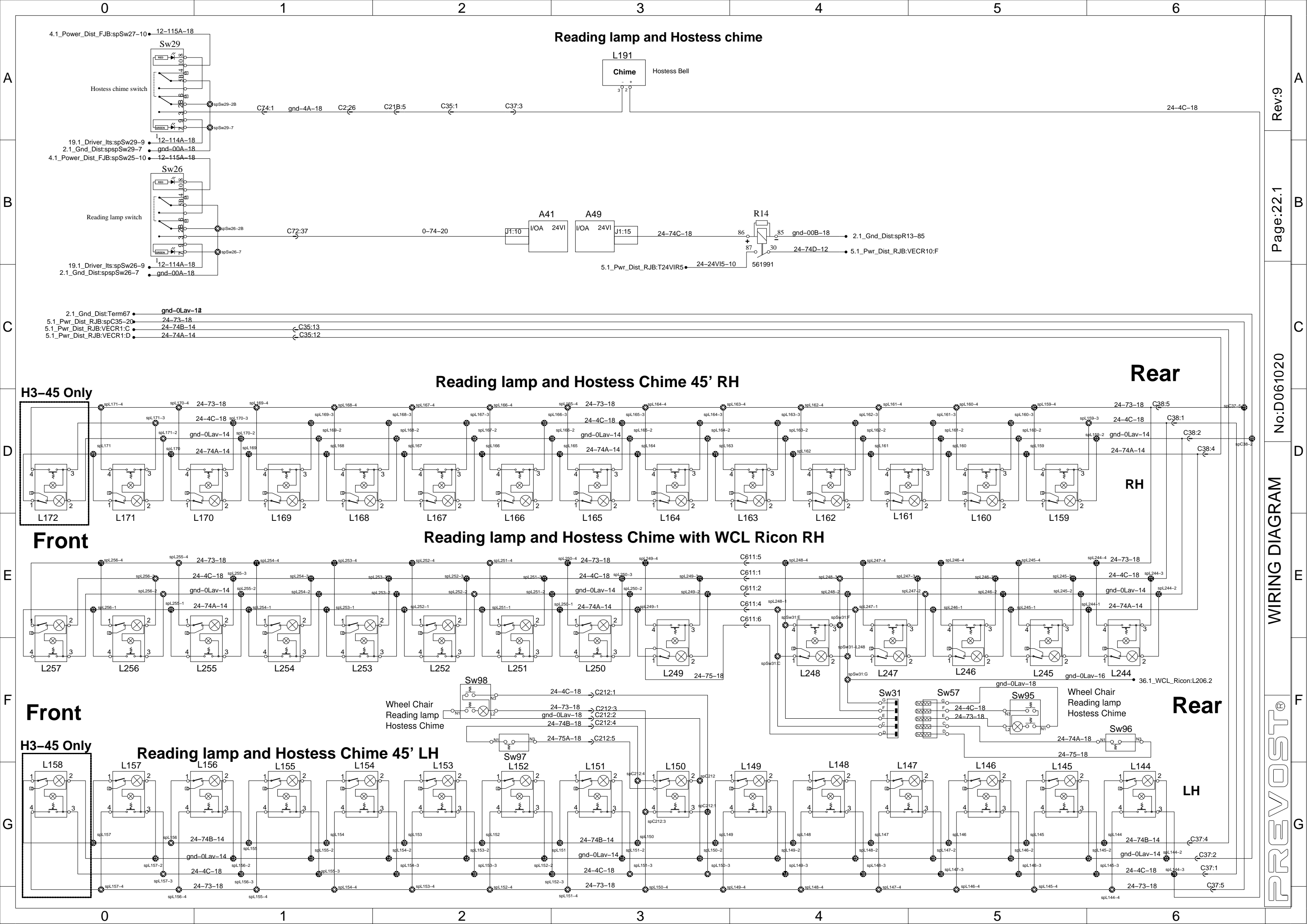
H3-45 Only

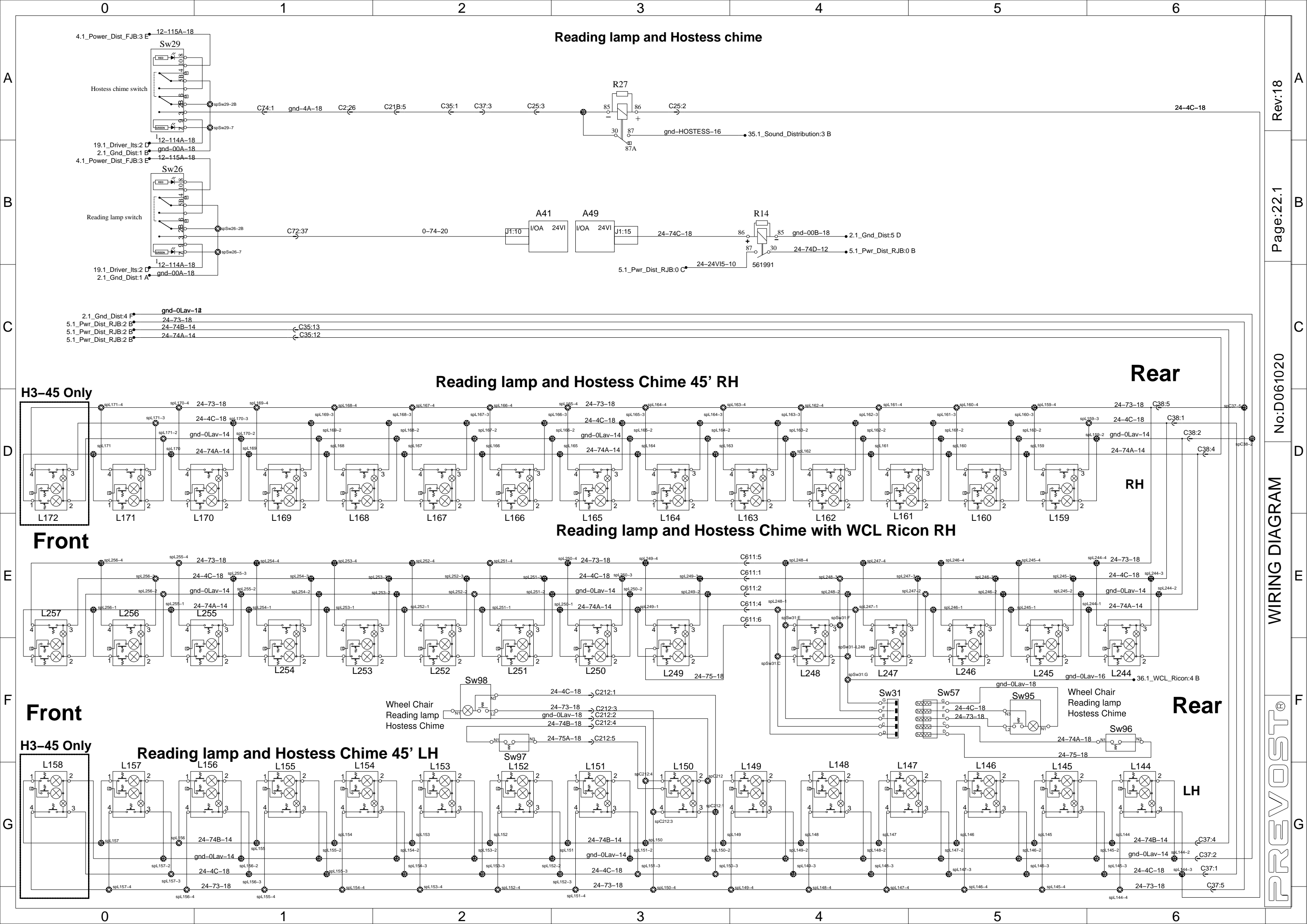
Front

Front

H3-45 Only







Reading lamp and Hostess chime

Reading lamp and Hostess Chime 45' RH

Reading lamp and Hostess Chime with WCL Ricon RH

Reading lamp and Hostess Chime 45' LH

Rear

RH

Rear

LH

H3-45 Only

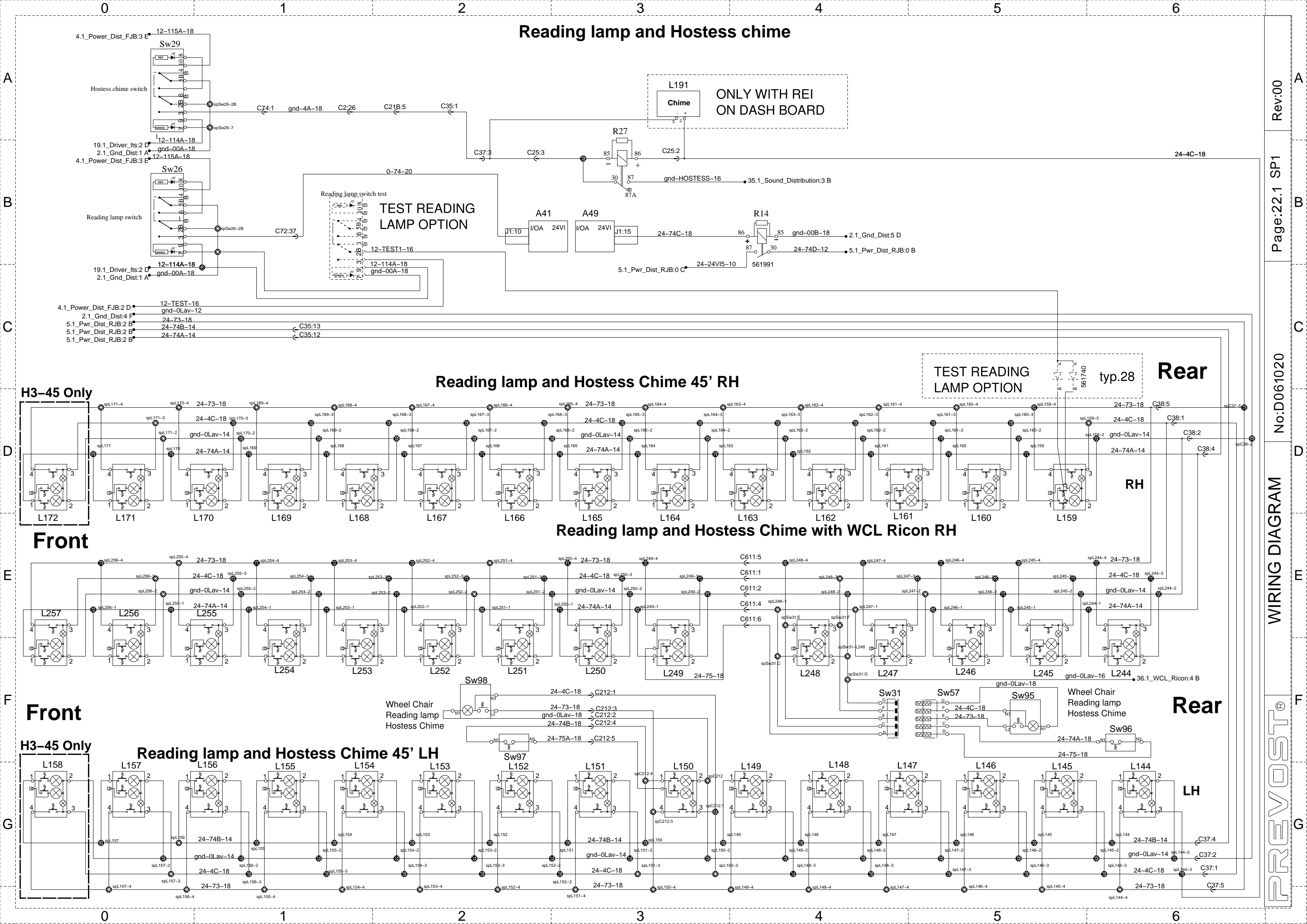
Front

Front

H3-45 Only

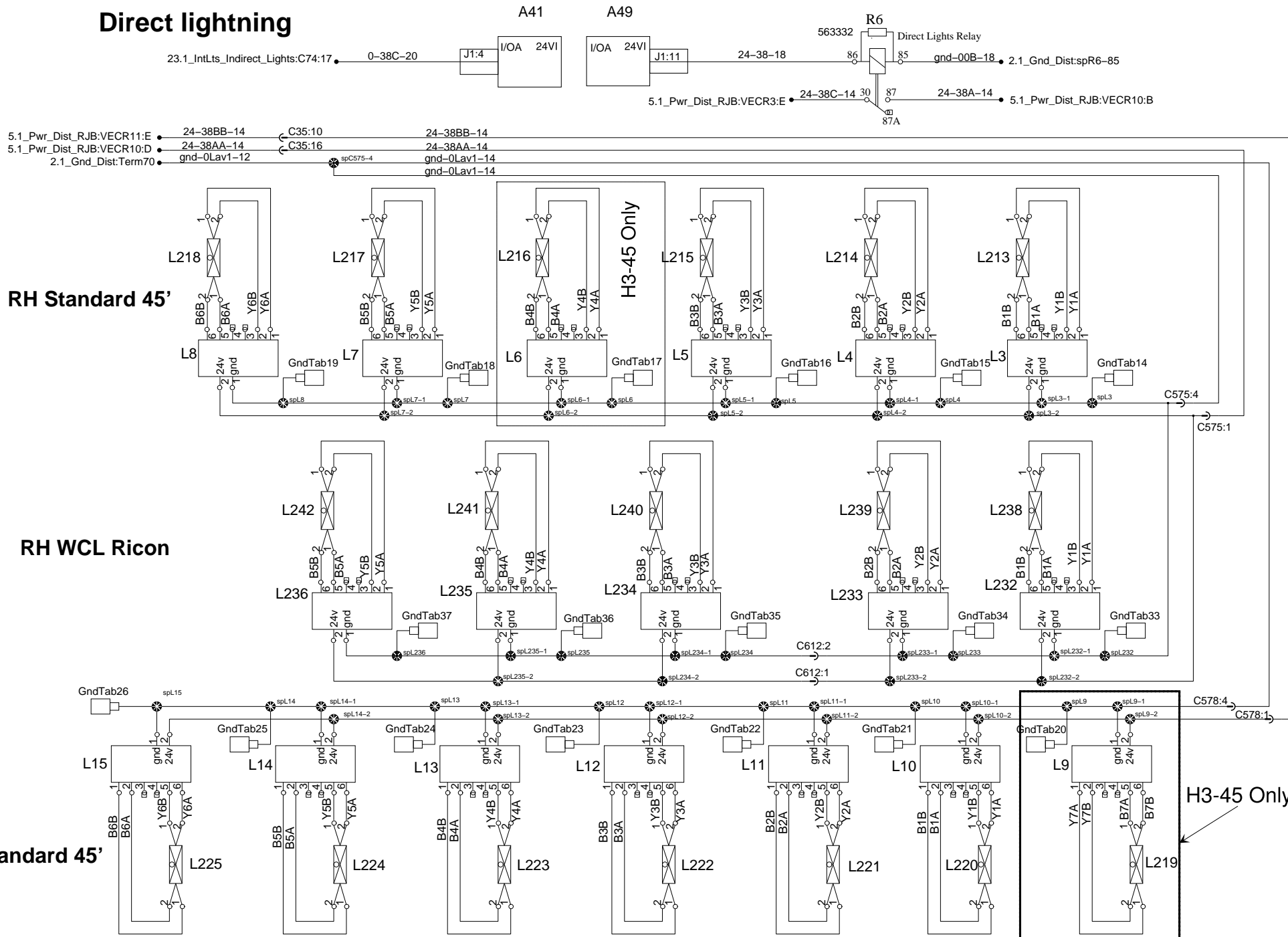


# Reading lamp and Hostess chime



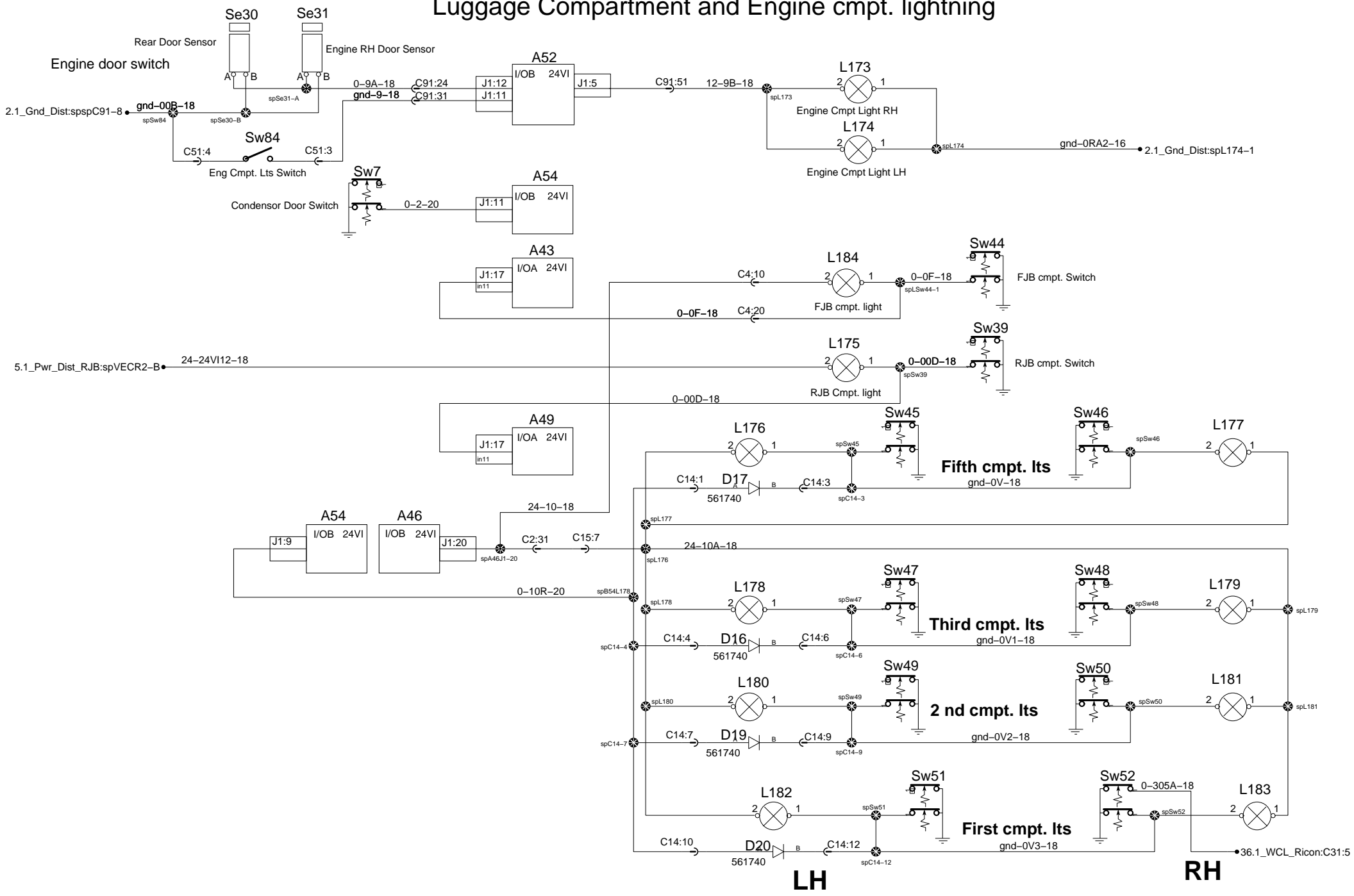


# Direct lightning



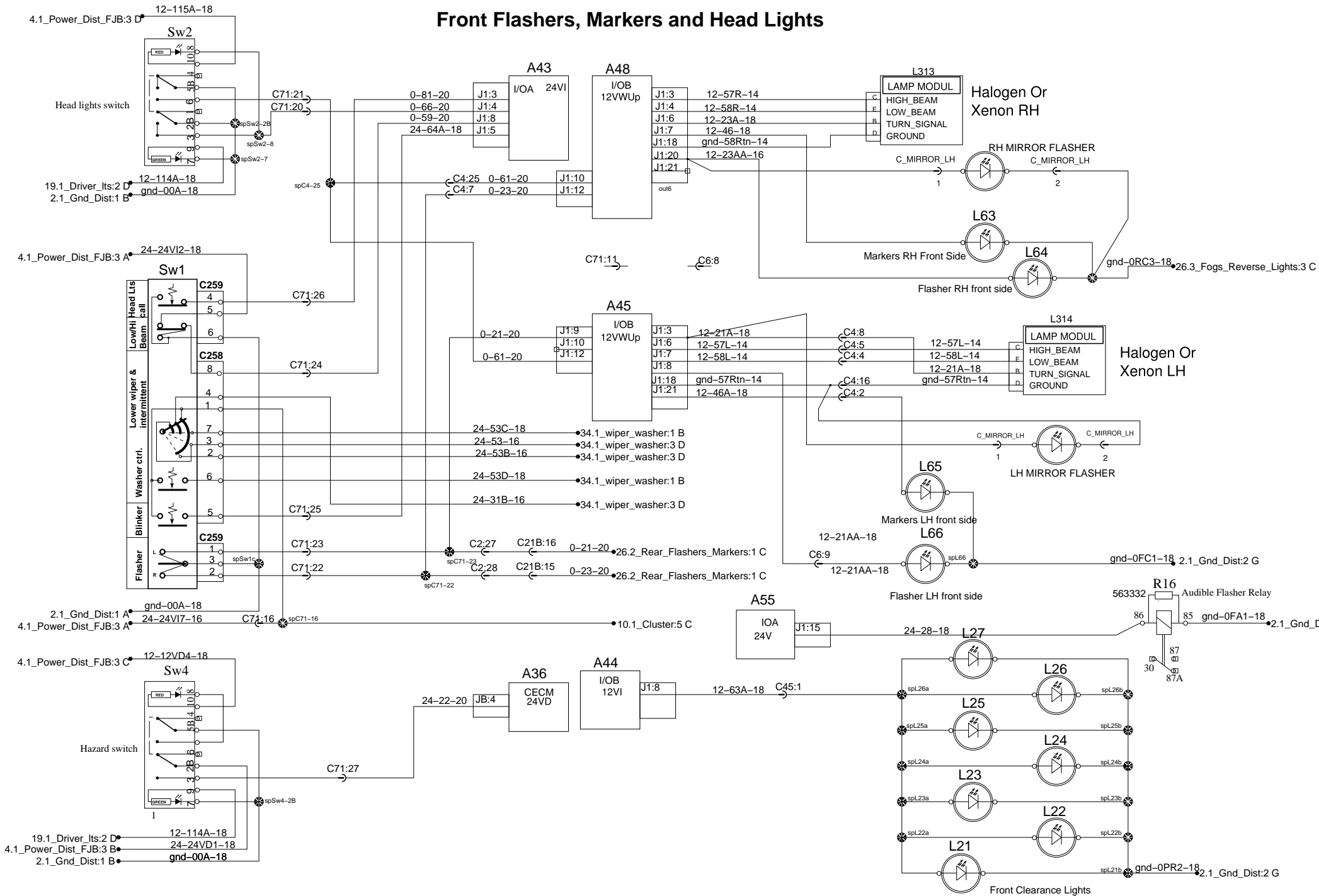


# Luggage Compartment and Engine cmpt. lightning



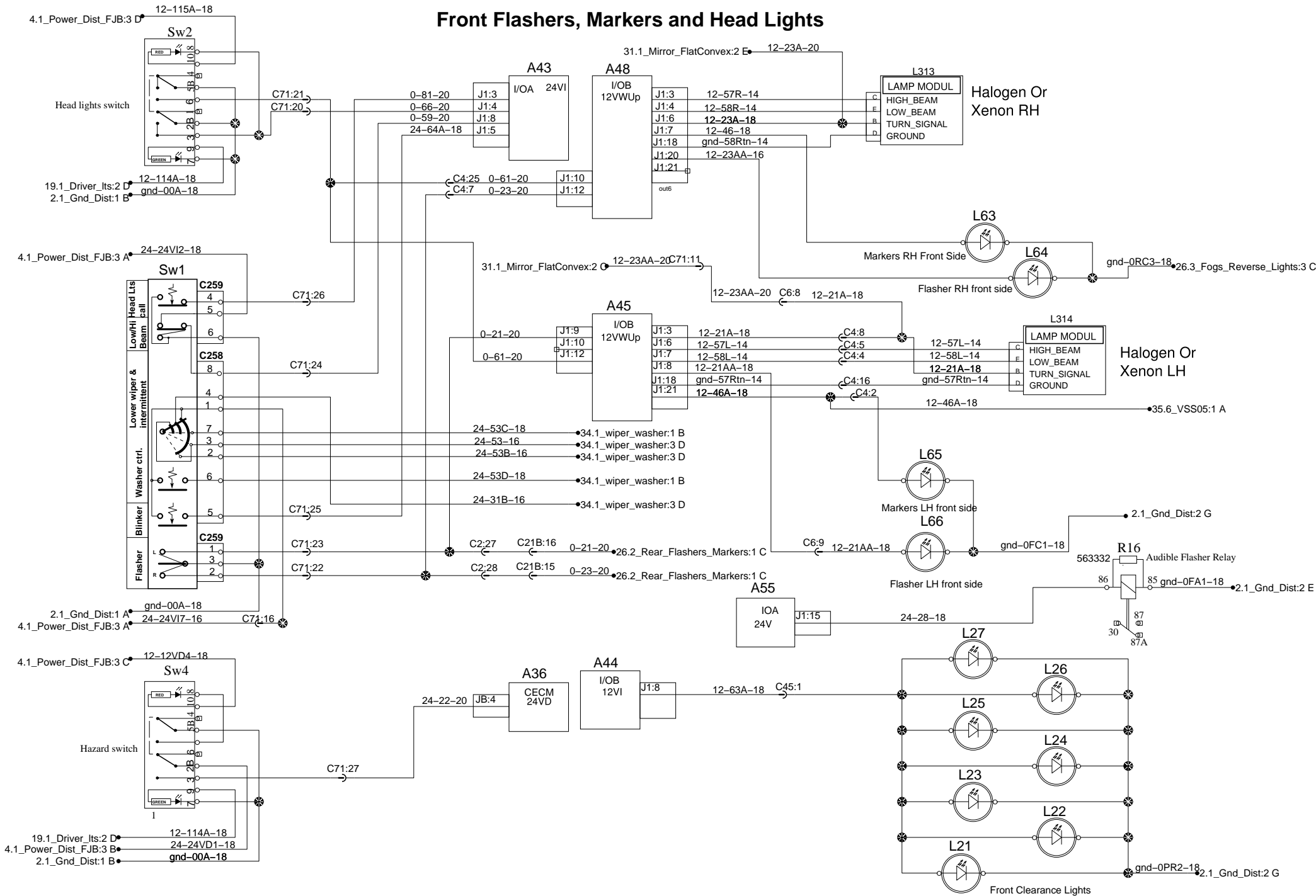


# Front Flashers, Markers and Head Lights



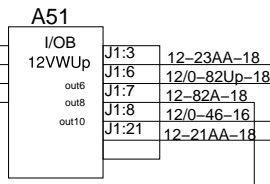
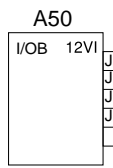


# Front Flashers, Markers and Head Lights





# Rear Flashers, Markers, Tail and Stop Lights

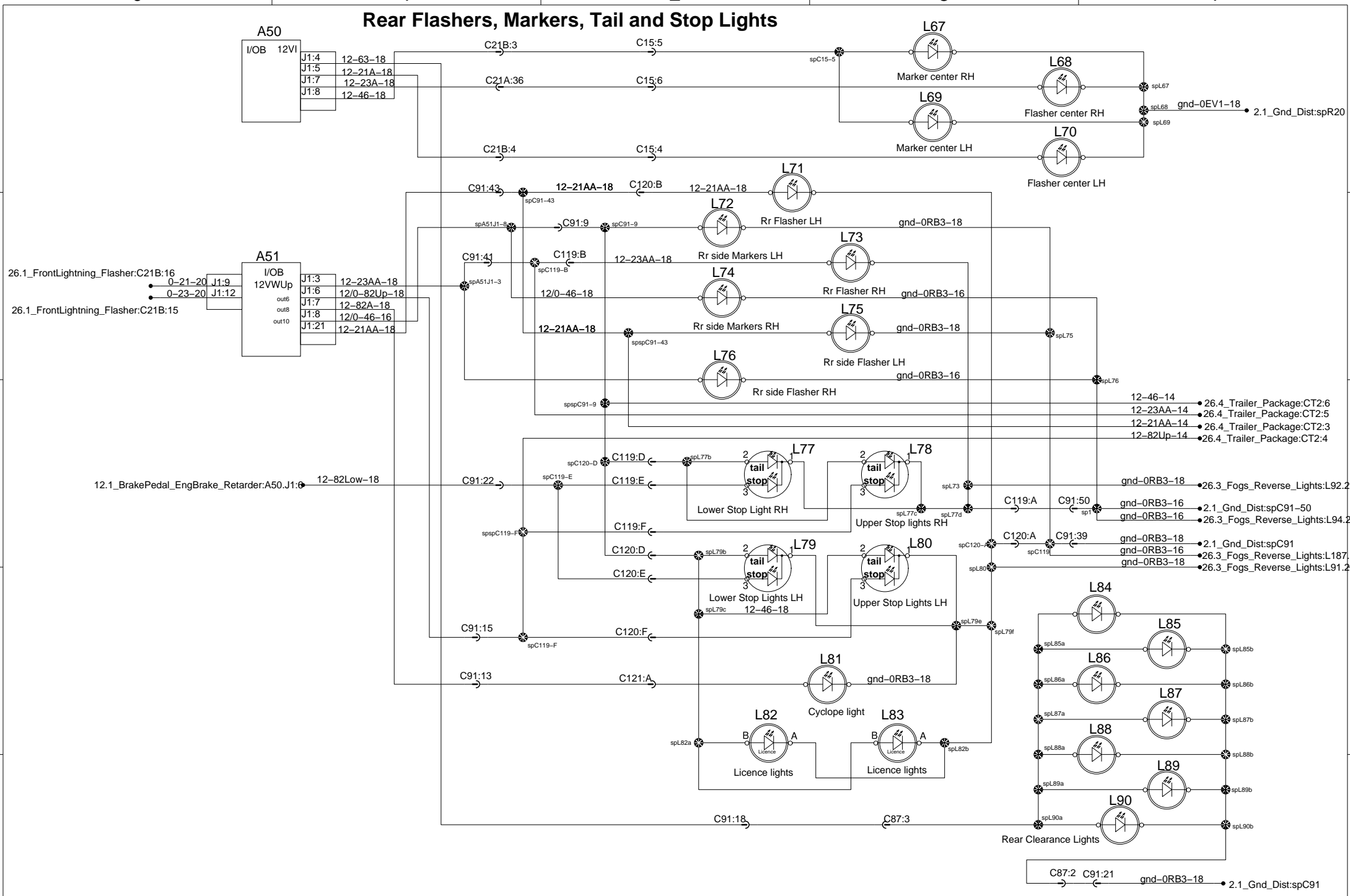


26.1\_FrontLightning\_Flasher:C21B:16  
 0-21-20 J1:9  
 0-23-20 J1:12  
 26.1\_FrontLightning\_Flasher:C21B:15

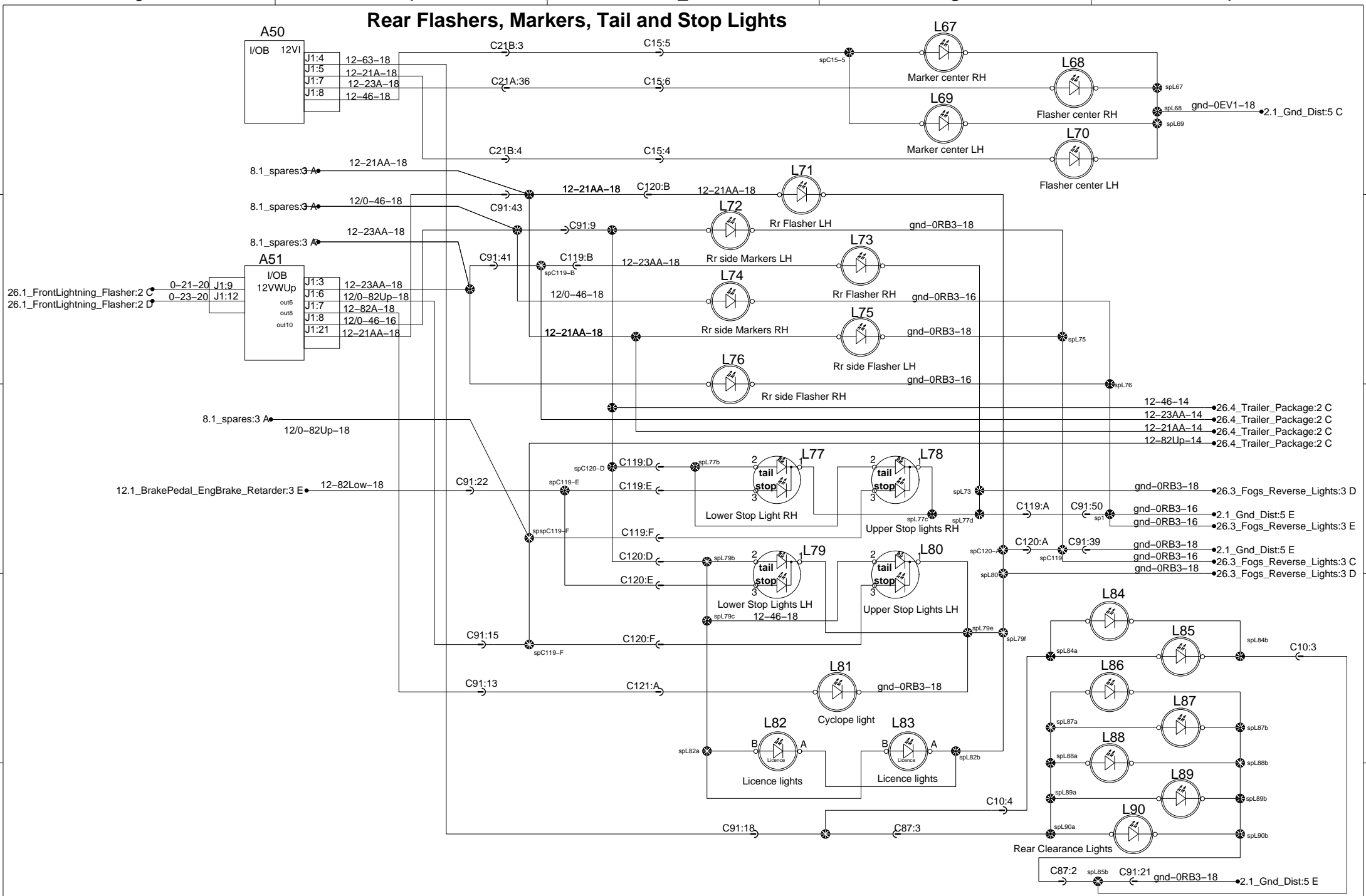
12.1\_BrakePedal\_EngBrake\_Retarder:A50.J1:10 12-82Low-18

12-46-14 26.4\_Trailer\_Package:CT:6  
 12-23AA-14 26.4\_Trailer\_Package:CT:5  
 12-21AA-14 26.4\_Trailer\_Package:CT:3  
 12-82Up-14 26.4\_Trailer\_Package:CT:4

gnd-ORB3-18 26.3\_Fogs\_Reverse\_Lights:L92.2  
 gnd-ORB3-16 2.1\_Gnd\_Dist:spC91-50  
 gnd-ORB3-16 26.3\_Fogs\_Reverse\_Lights:L94.2  
 gnd-ORB3-18 2.1\_Gnd\_Dist:spC91  
 gnd-ORB3-16 26.3\_Fogs\_Reverse\_Lights:L187-  
 gnd-ORB3-18 26.3\_Fogs\_Reverse\_Lights:L91.2

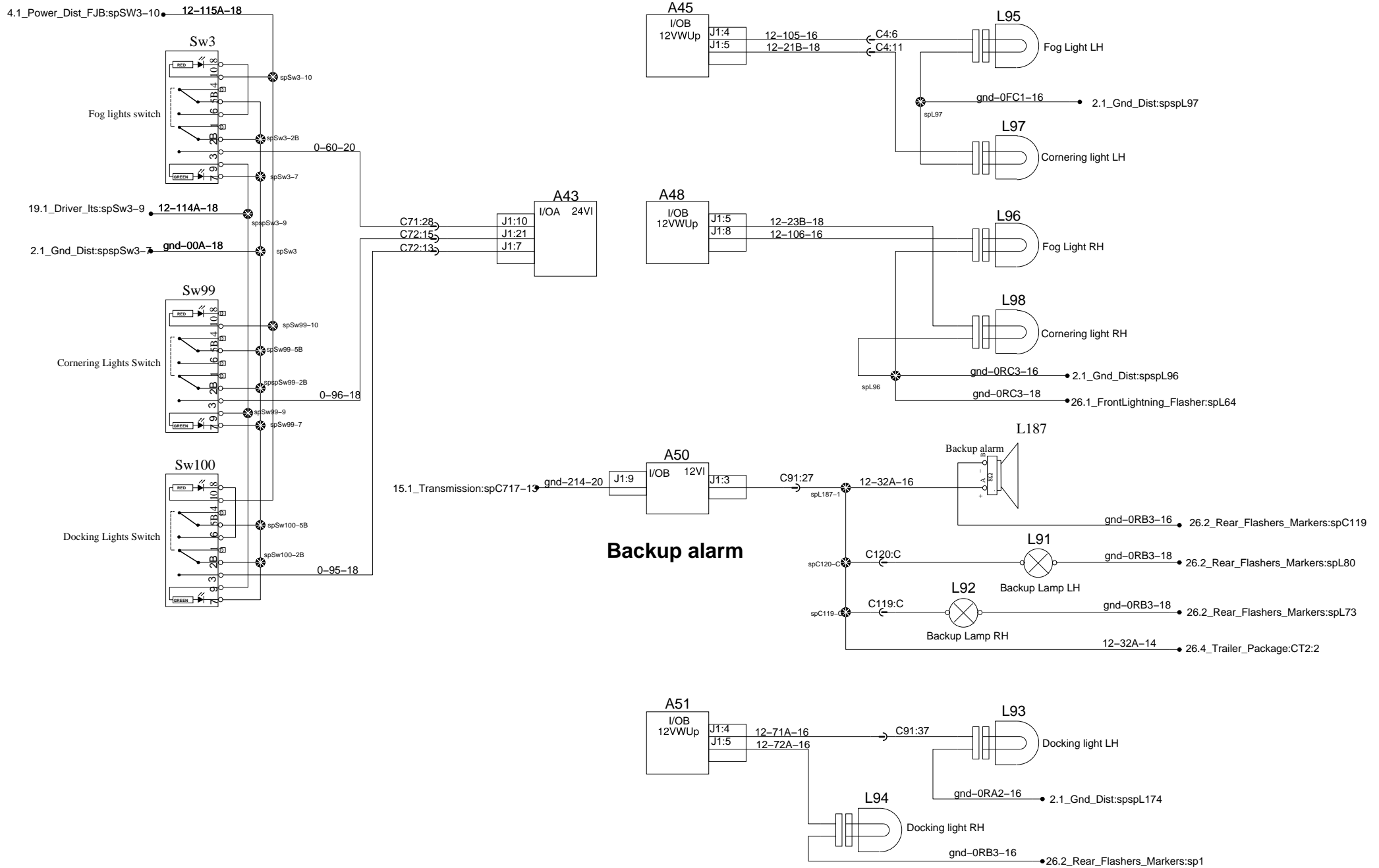


# Rear Flashers, Markers, Tail and Stop Lights

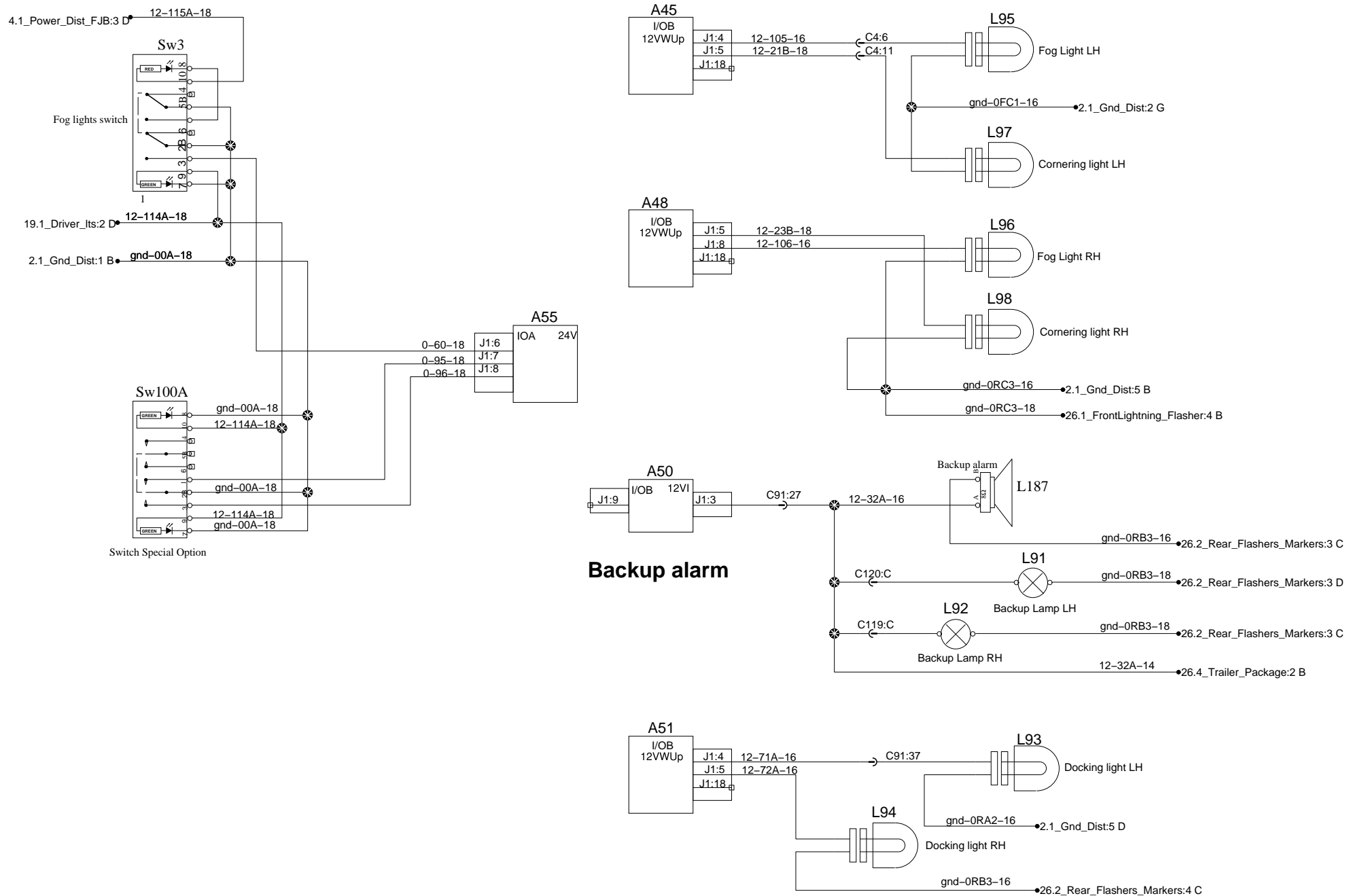




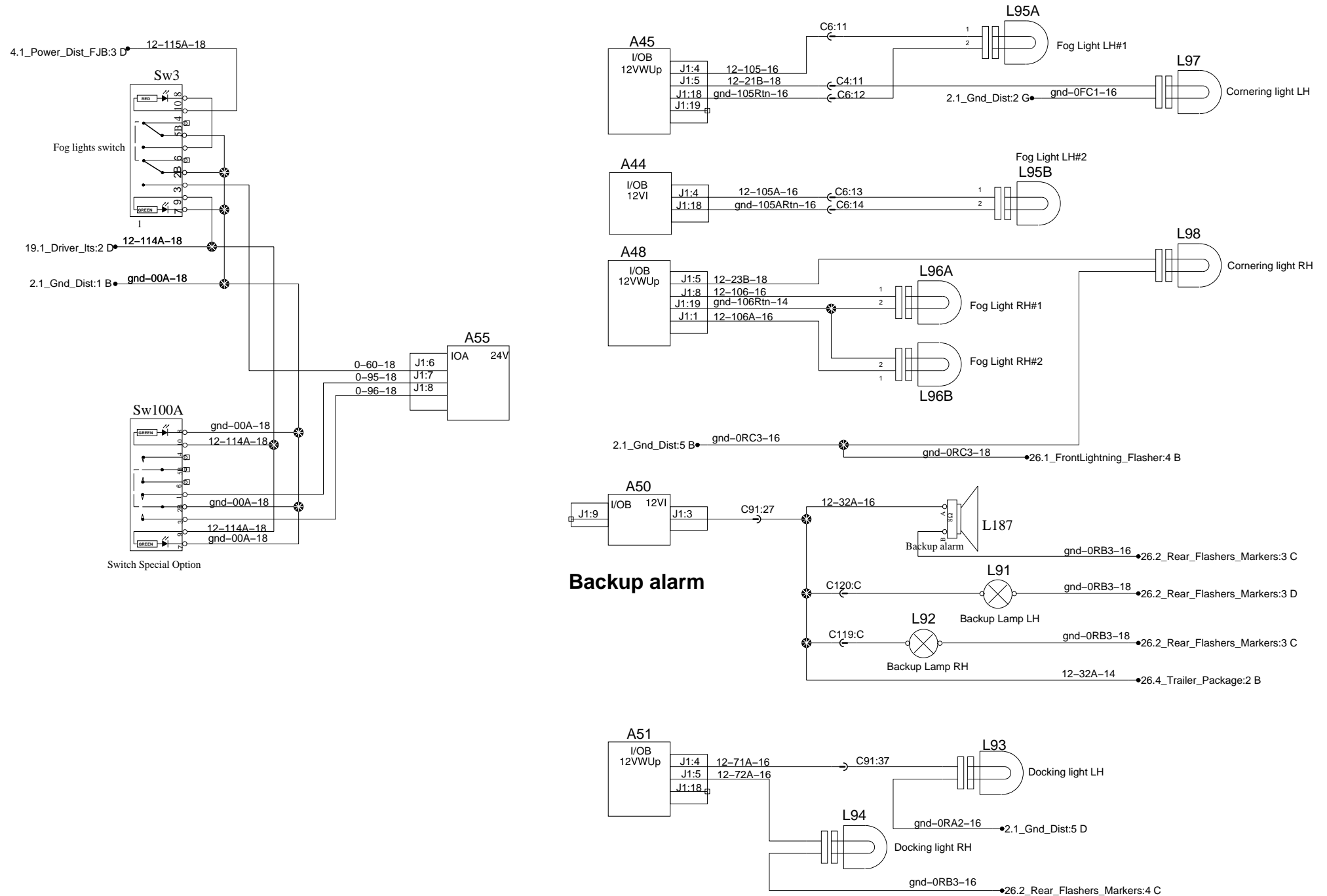
# Fog's Lights and Backup Lights and Alarm



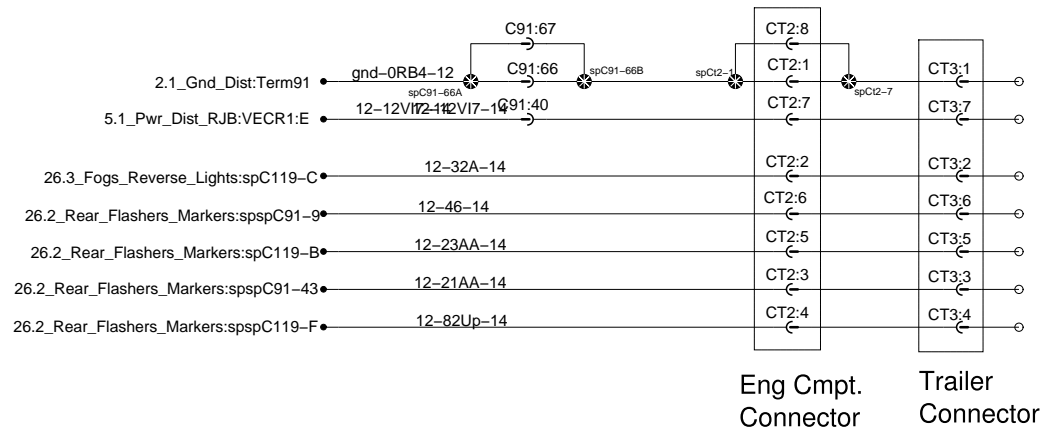
# Fog's Lights and Backup Lights and Alarm



# Fog's Lights and Backup Lights and Alarm



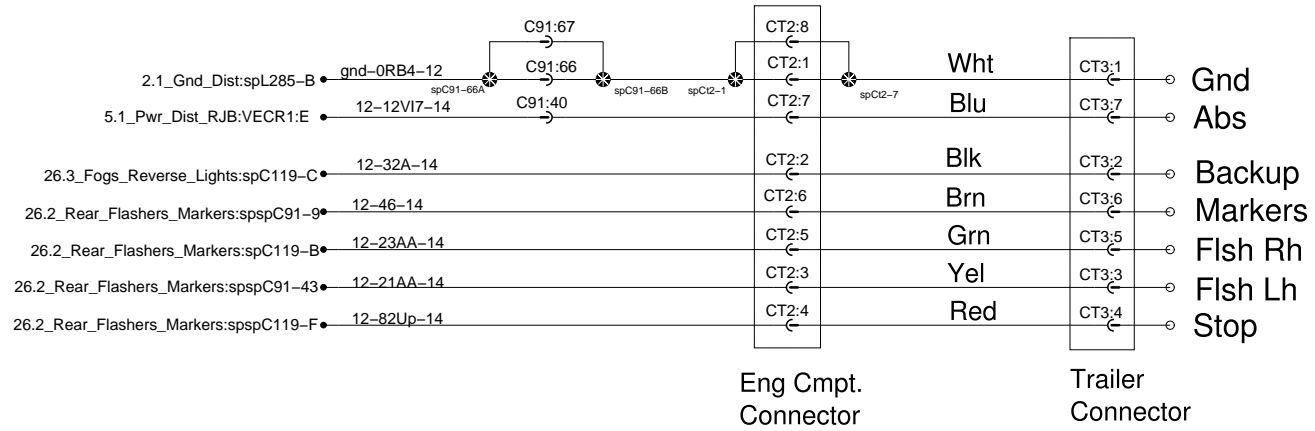
# Trailer Package



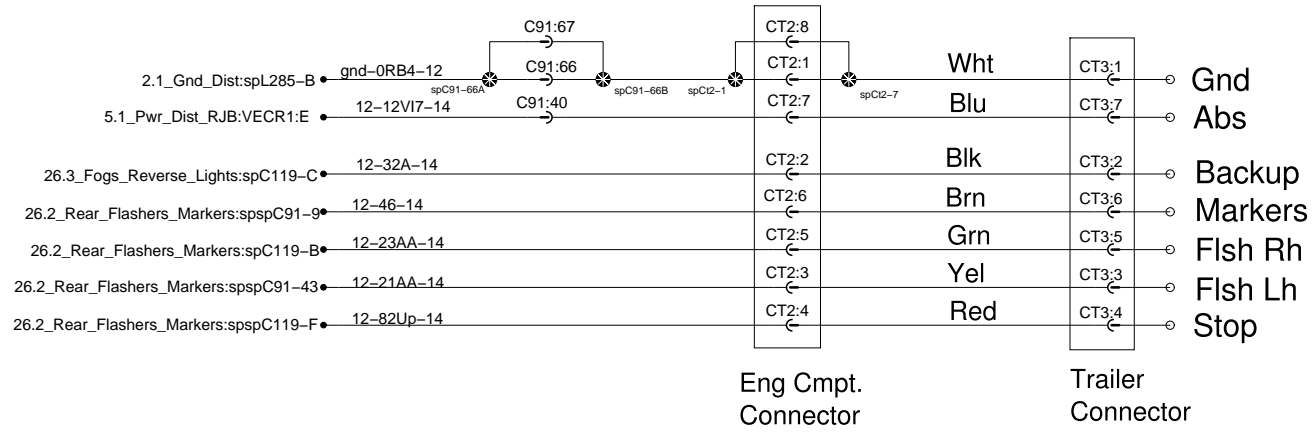
Eng Cmpt.  
Connector

Trailer  
Connector

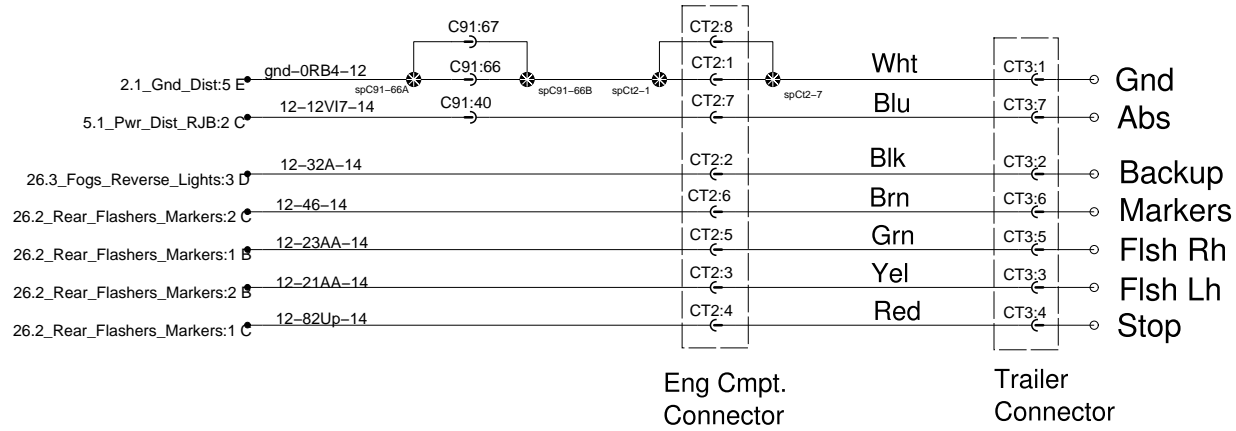
# Trailer Package



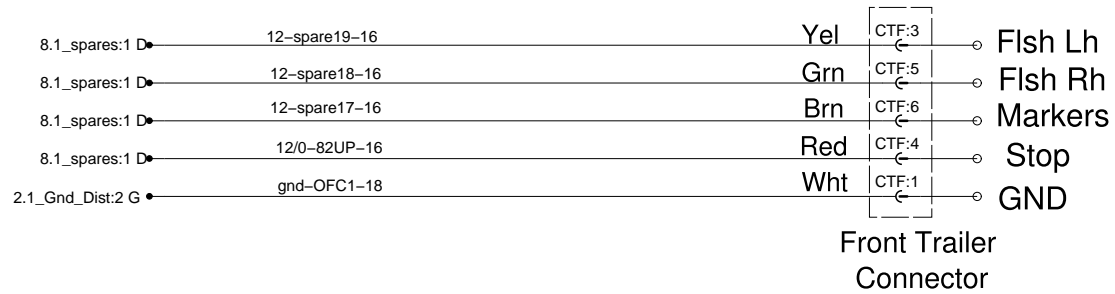
# Trailer Package



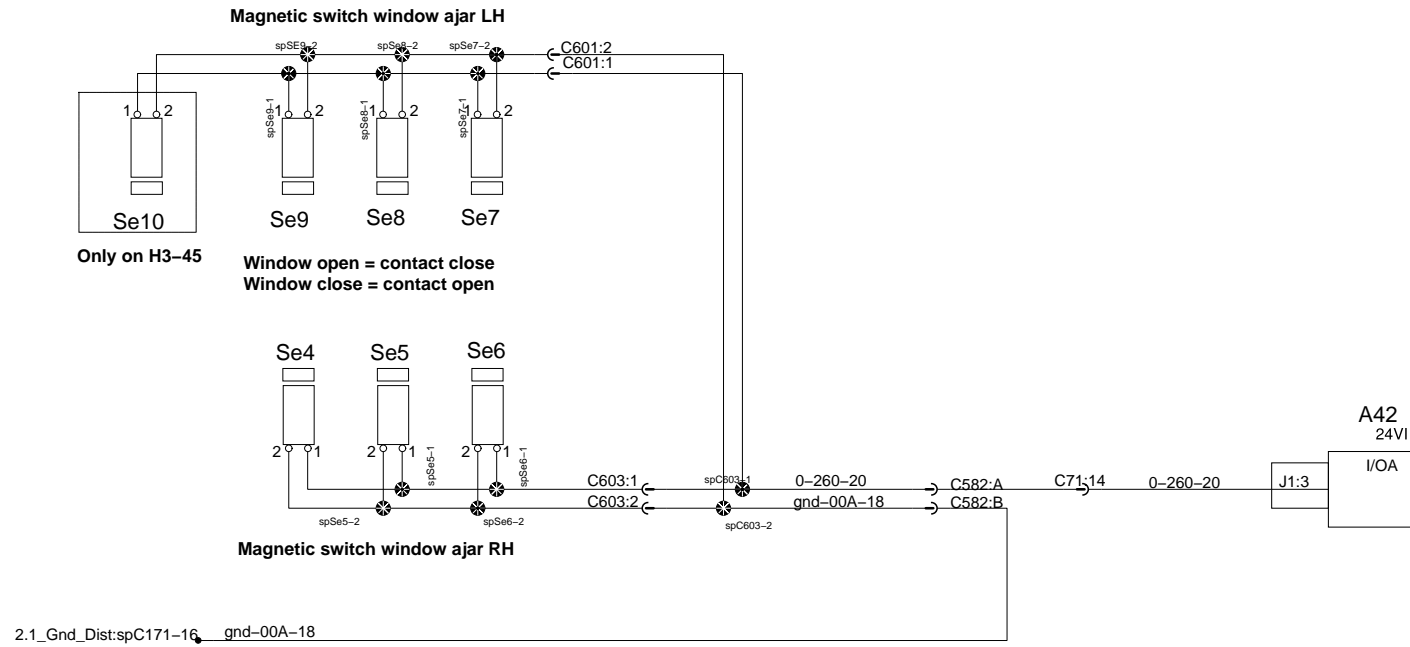
## Trailer Package



## Front Trailer Connector



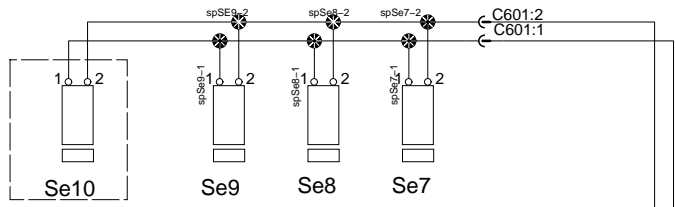
# Window Ajar





### Window Ajar

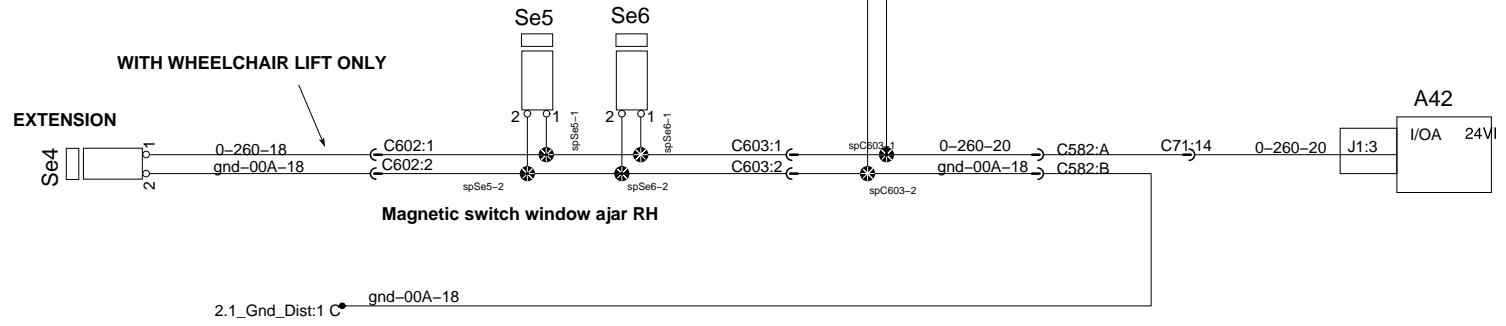
#### Magnetic switch window ajar LH



Window open = contact close  
 Window close = contact open

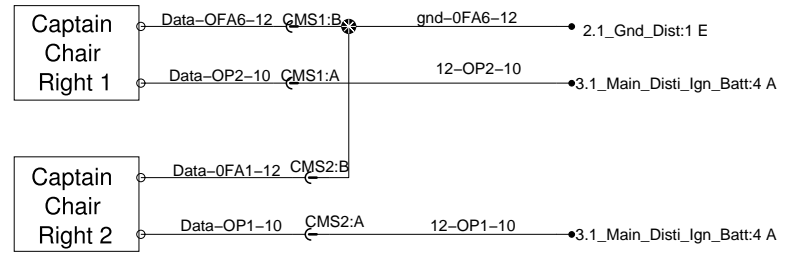
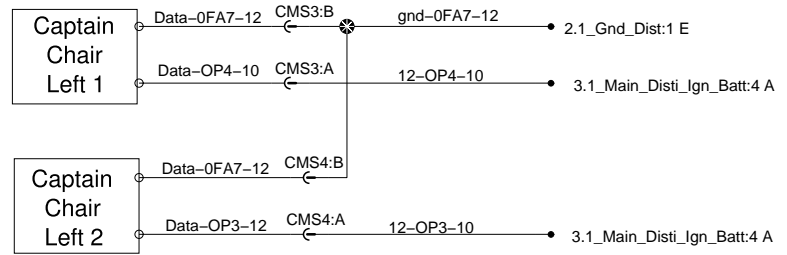
WITH WHEELCHAIR LIFT ONLY

EXTENSION

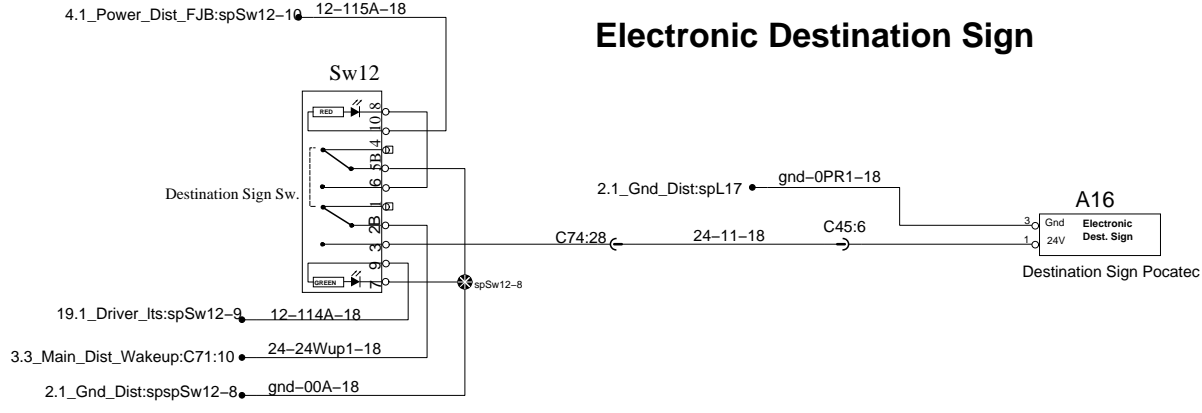


#### Magnetic switch window ajar RH

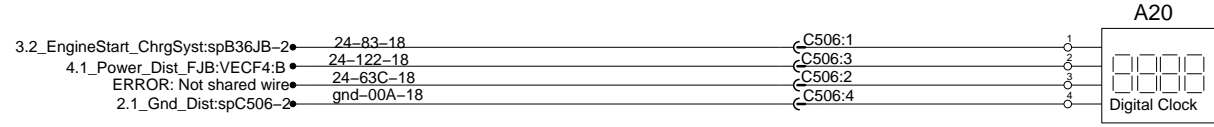
### Option Captain's Chair



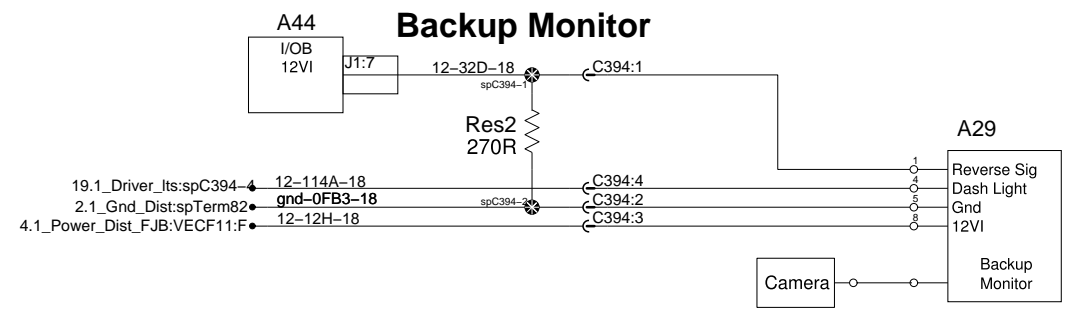
### Electronic Destination Sign



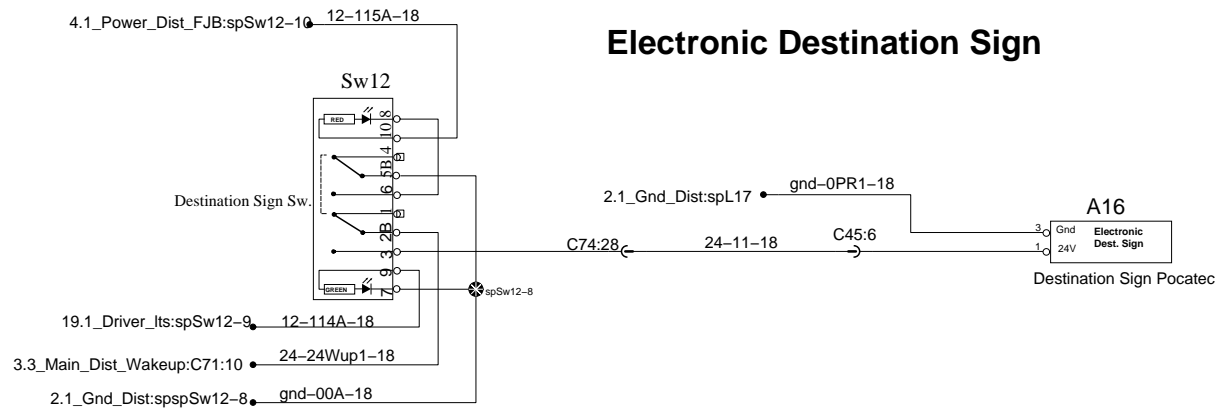
### Digital Clock



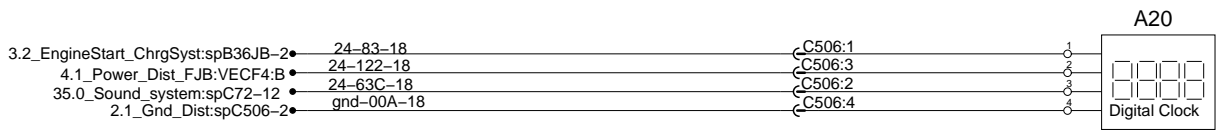
### Backup Monitor



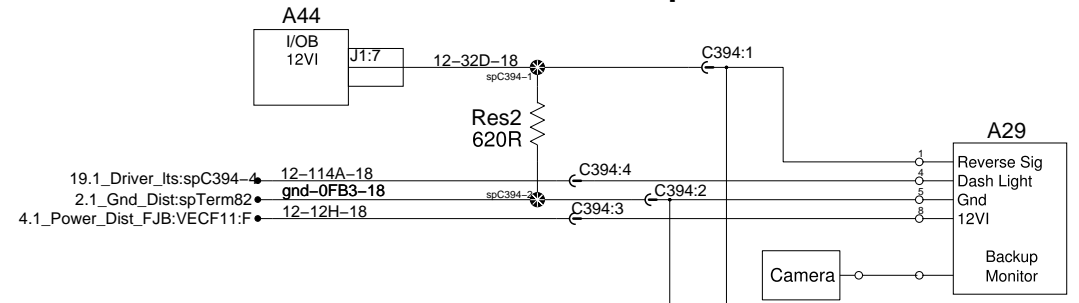
### Electronic Destination Sign



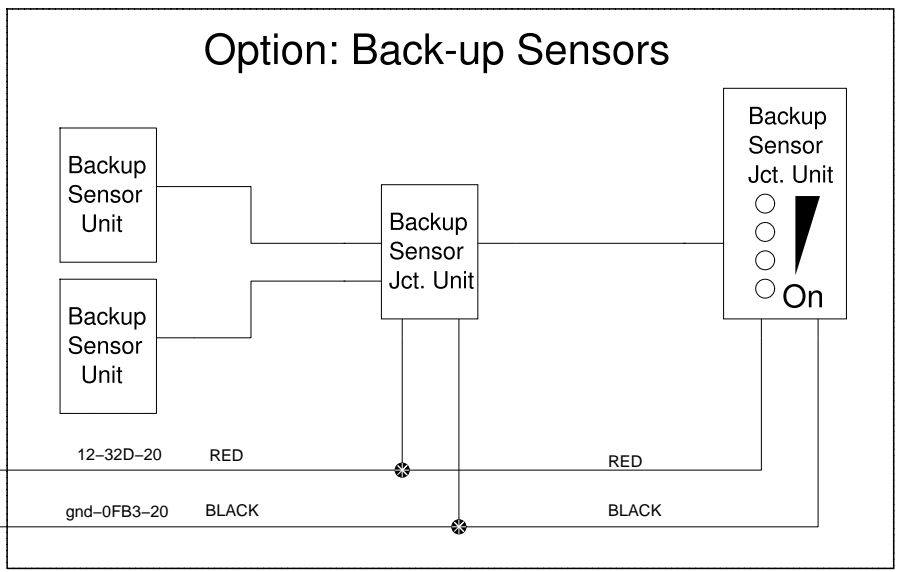
### Digital Clock



### Backup Monitor



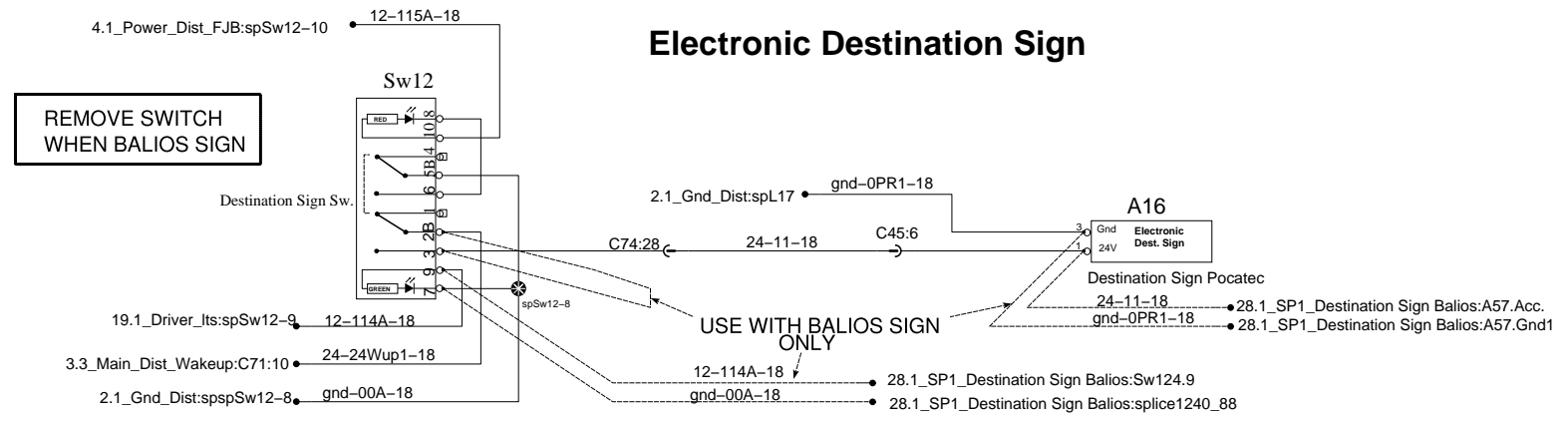
### Option: Back-up Sensors



A

A

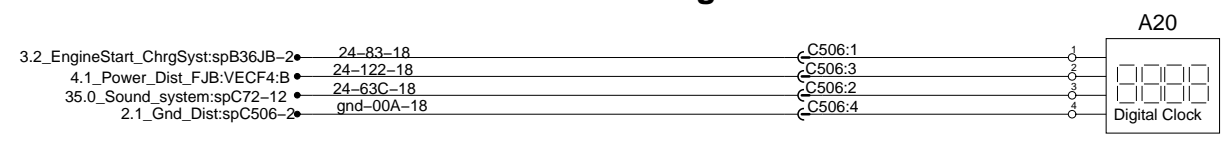
### Electronic Destination Sign



B

B

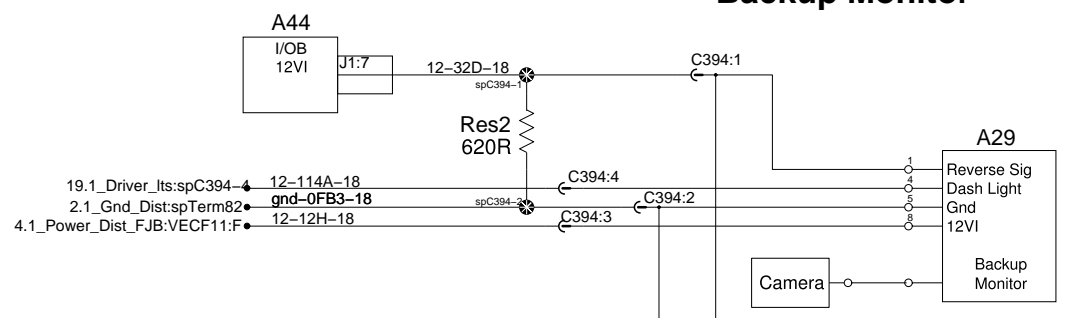
### Digital Clock



C

C

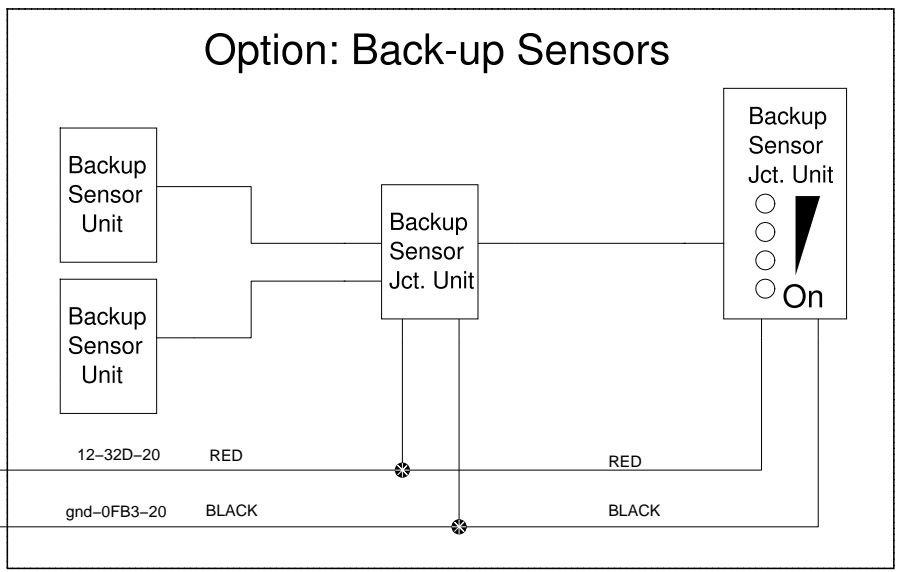
### Backup Monitor



D

D

### Option: Back-up Sensors



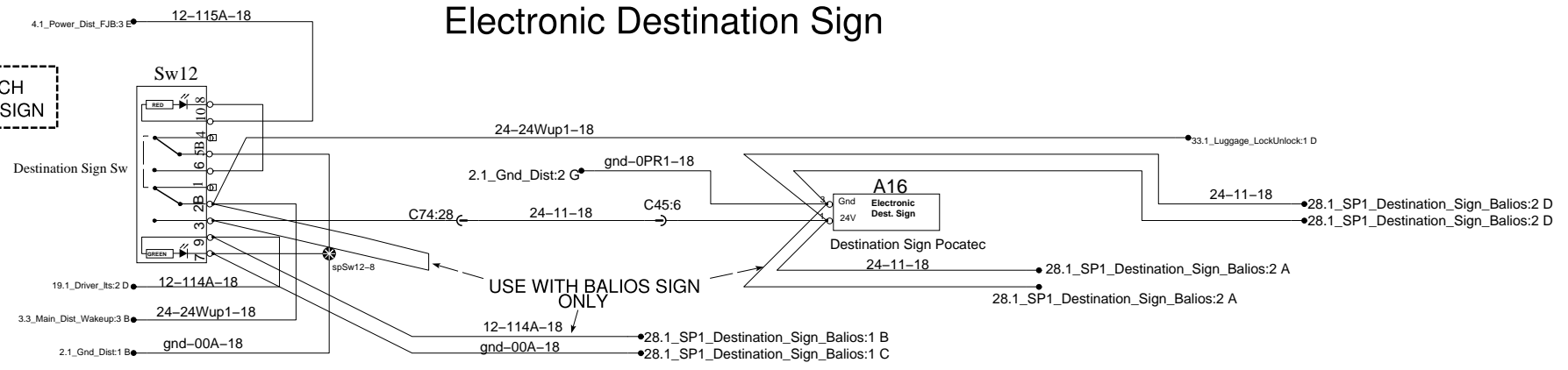
E

E

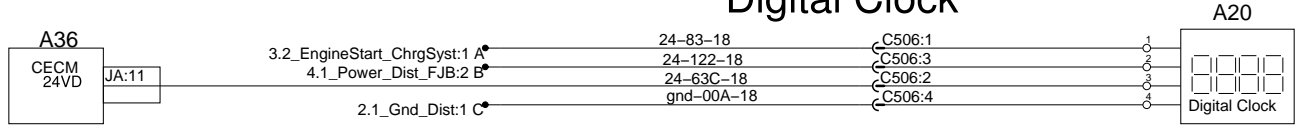


### Electronic Destination Sign

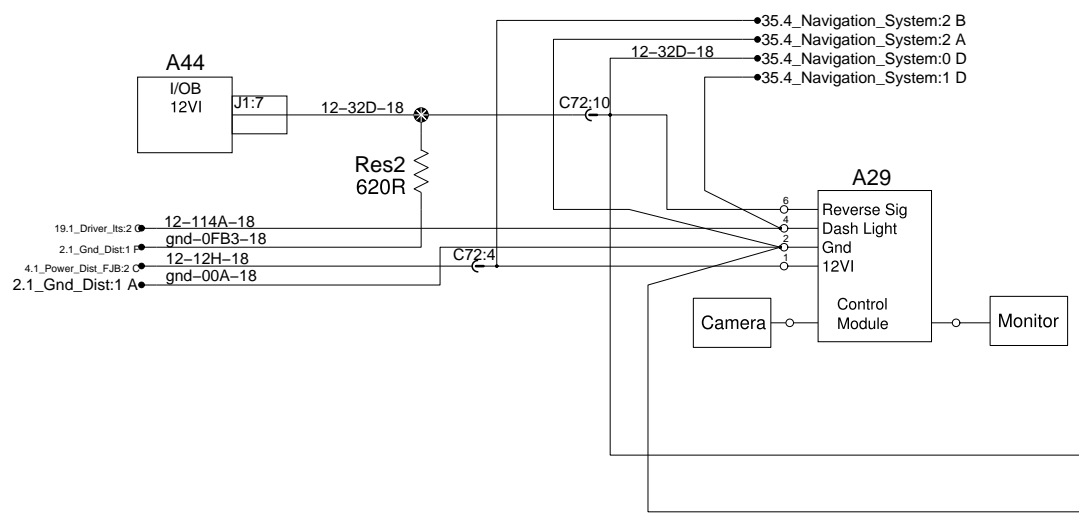
REMOVE SWITCH WHEN BALIOS SIGN



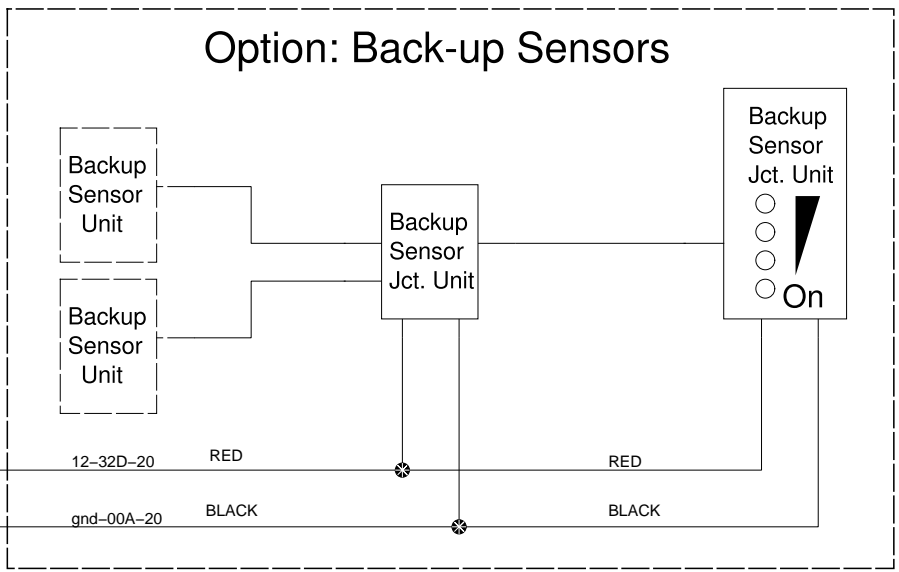
### Digital Clock



### Backup Monitor

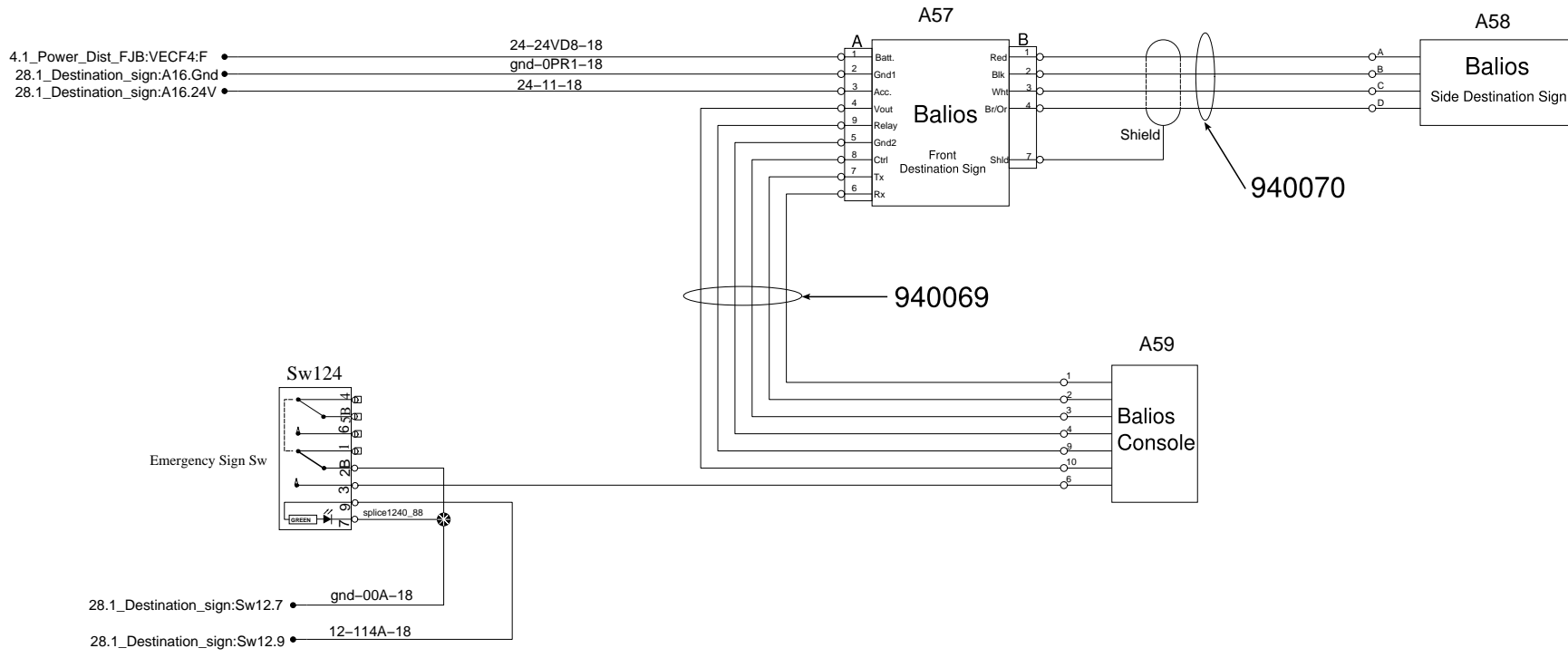


### Option: Back-up Sensors





# Electronic Destination Sign BALIOS





0

1

2

3

4

A

A

B

B

C

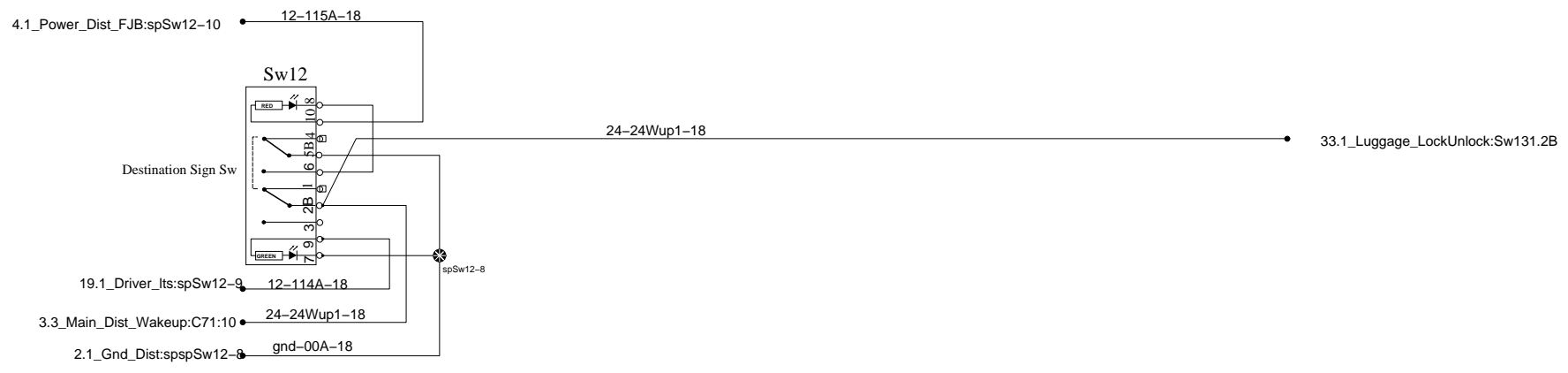
C

D

D

E

E



0

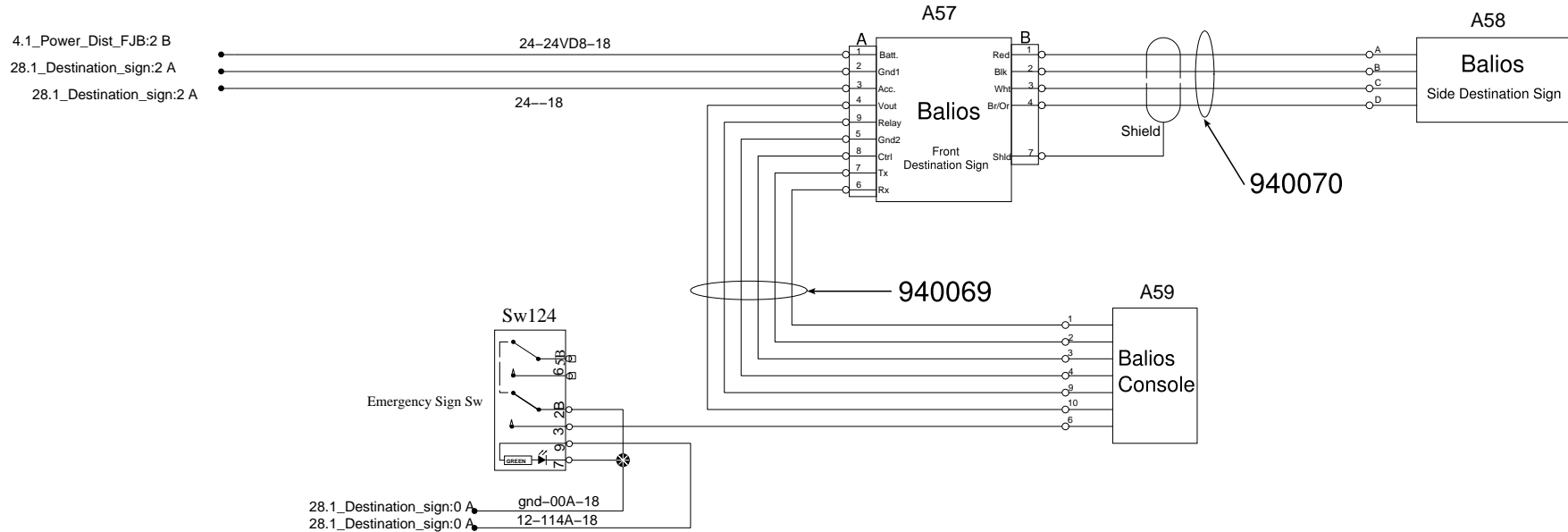
1

2

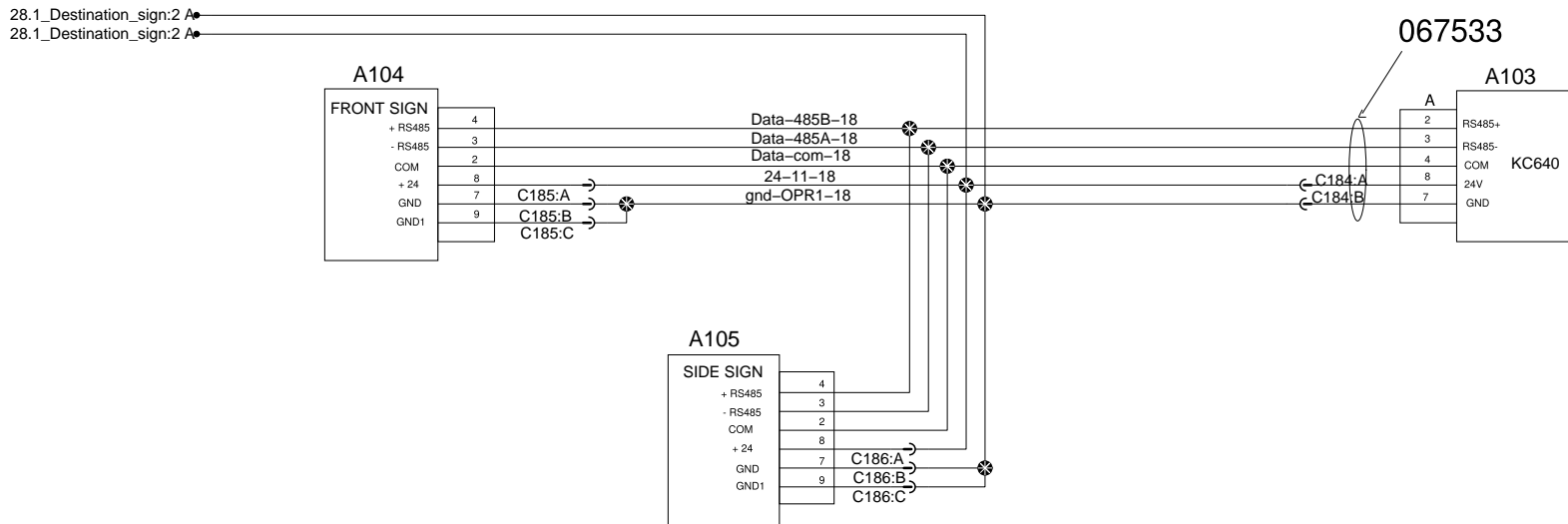
3

4

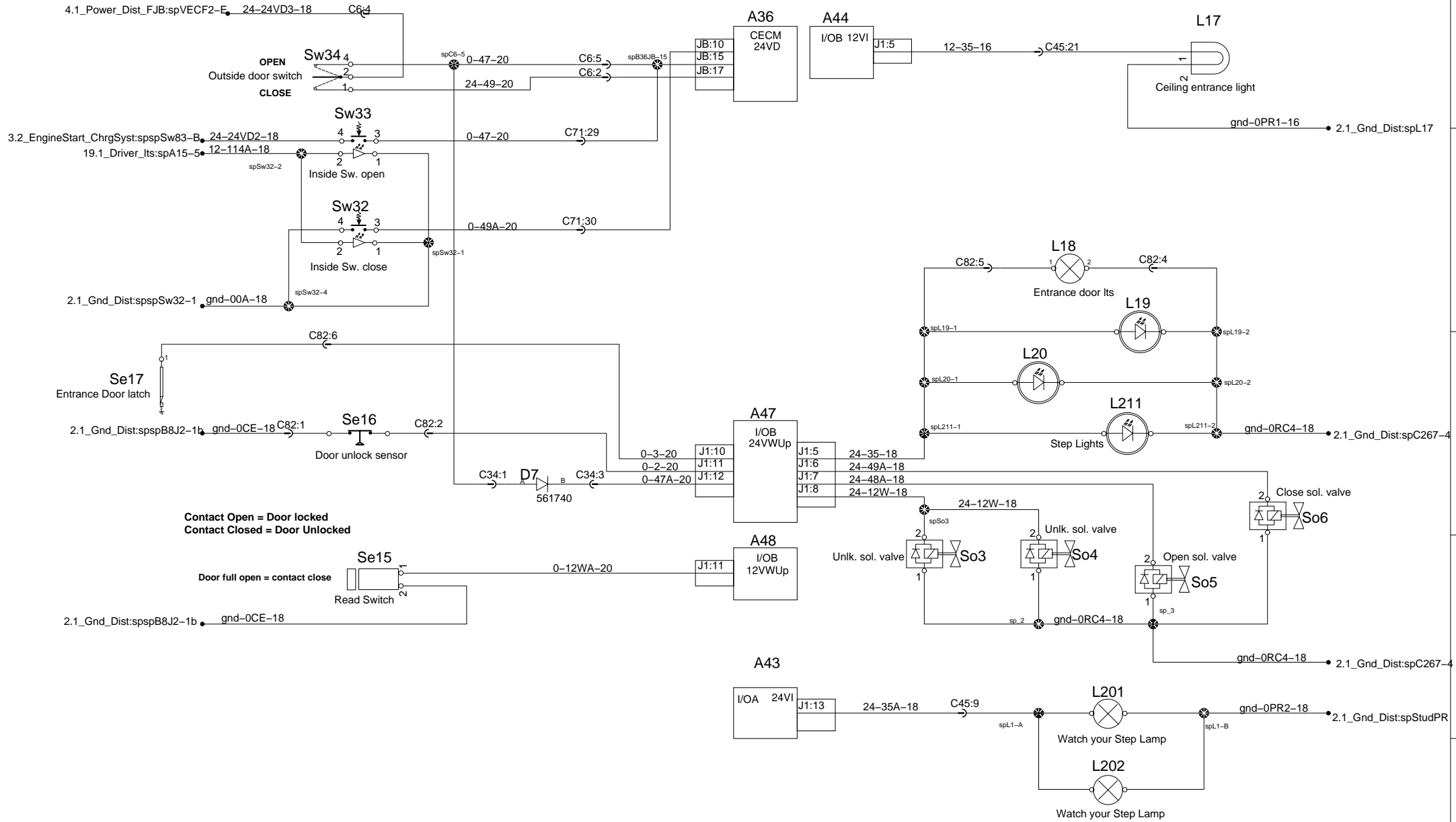
# Electronic Destination Sign BALIOS



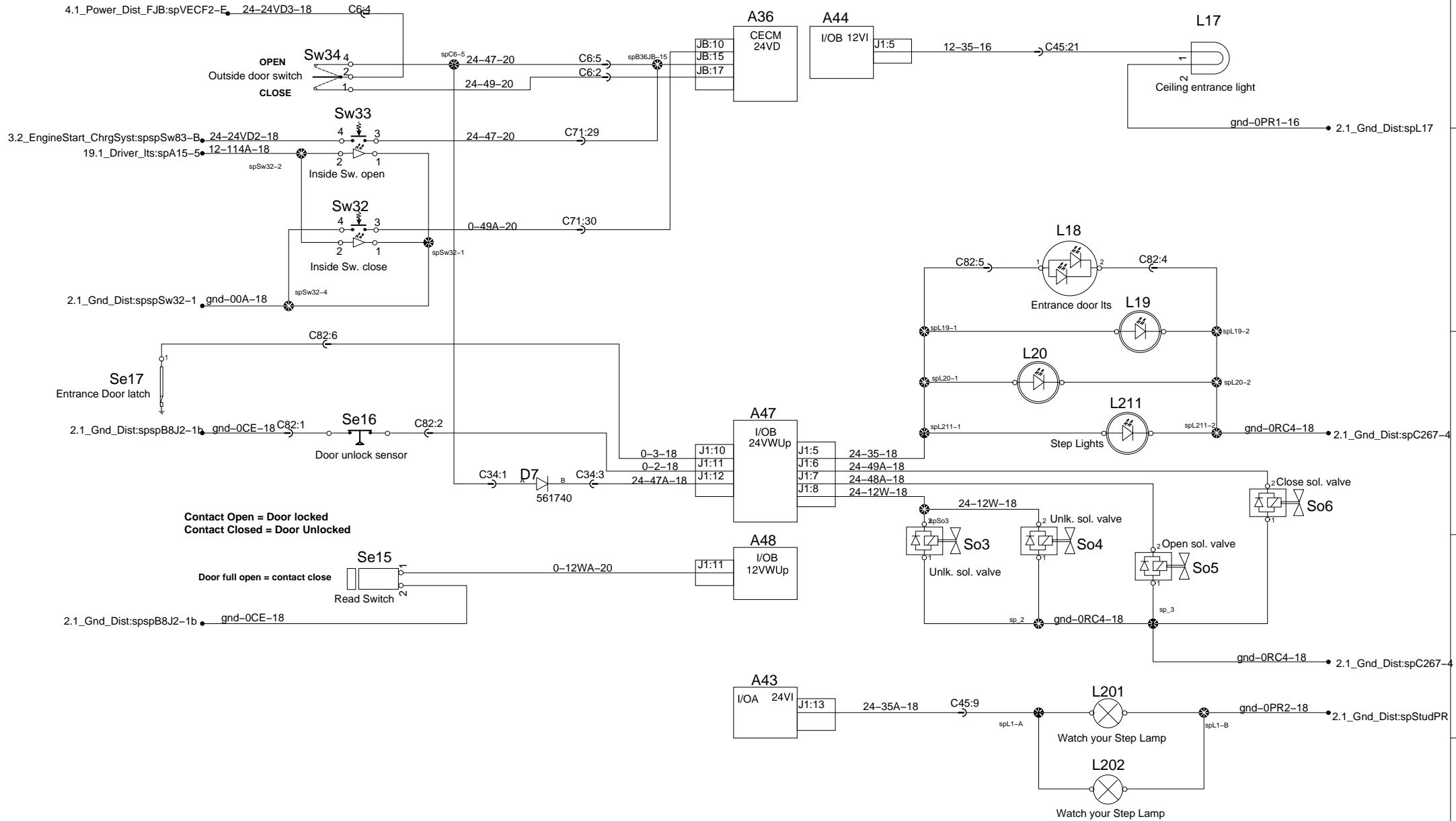
# Electronic Destination Sign AESYS



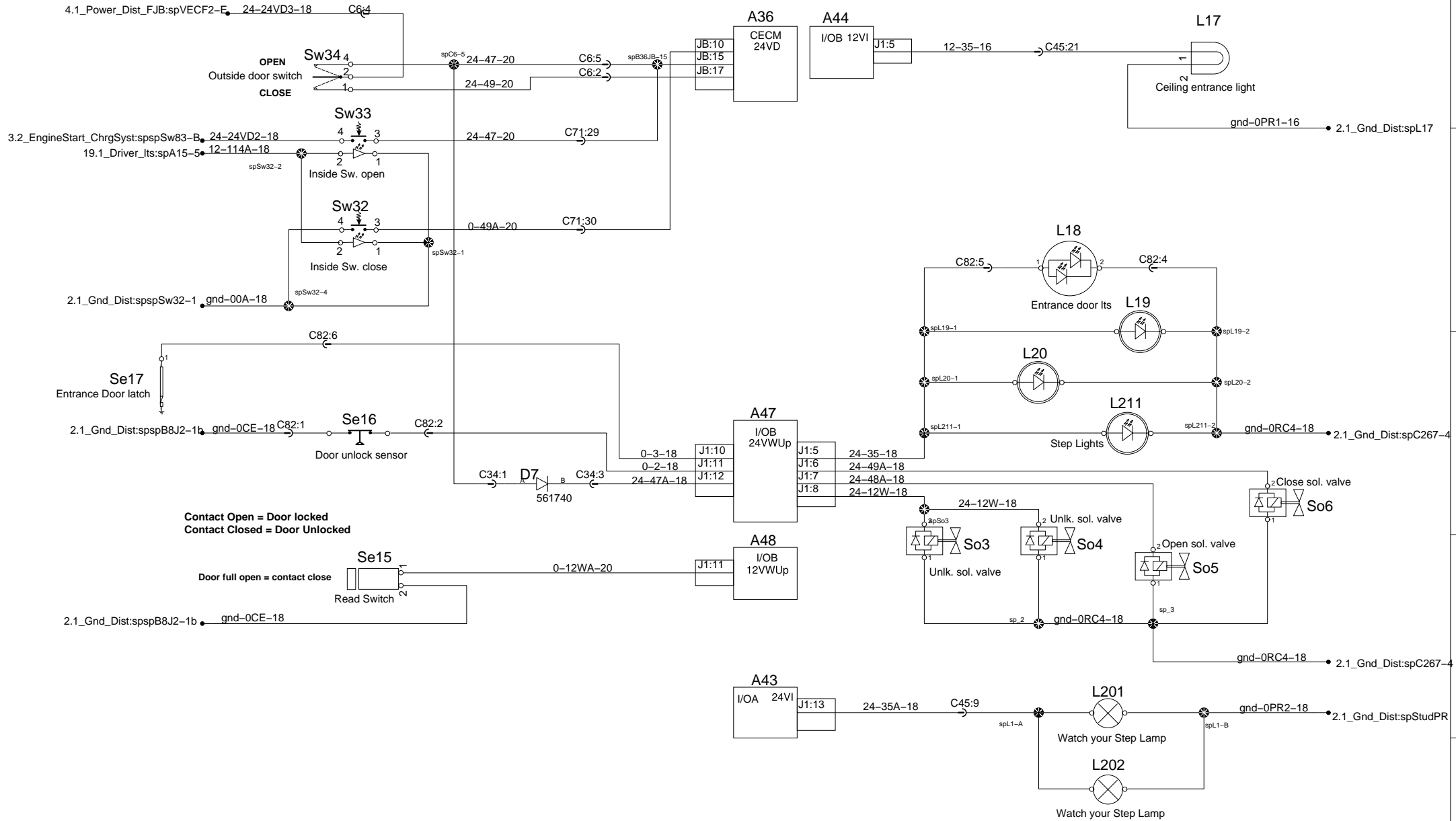
# Entrance door



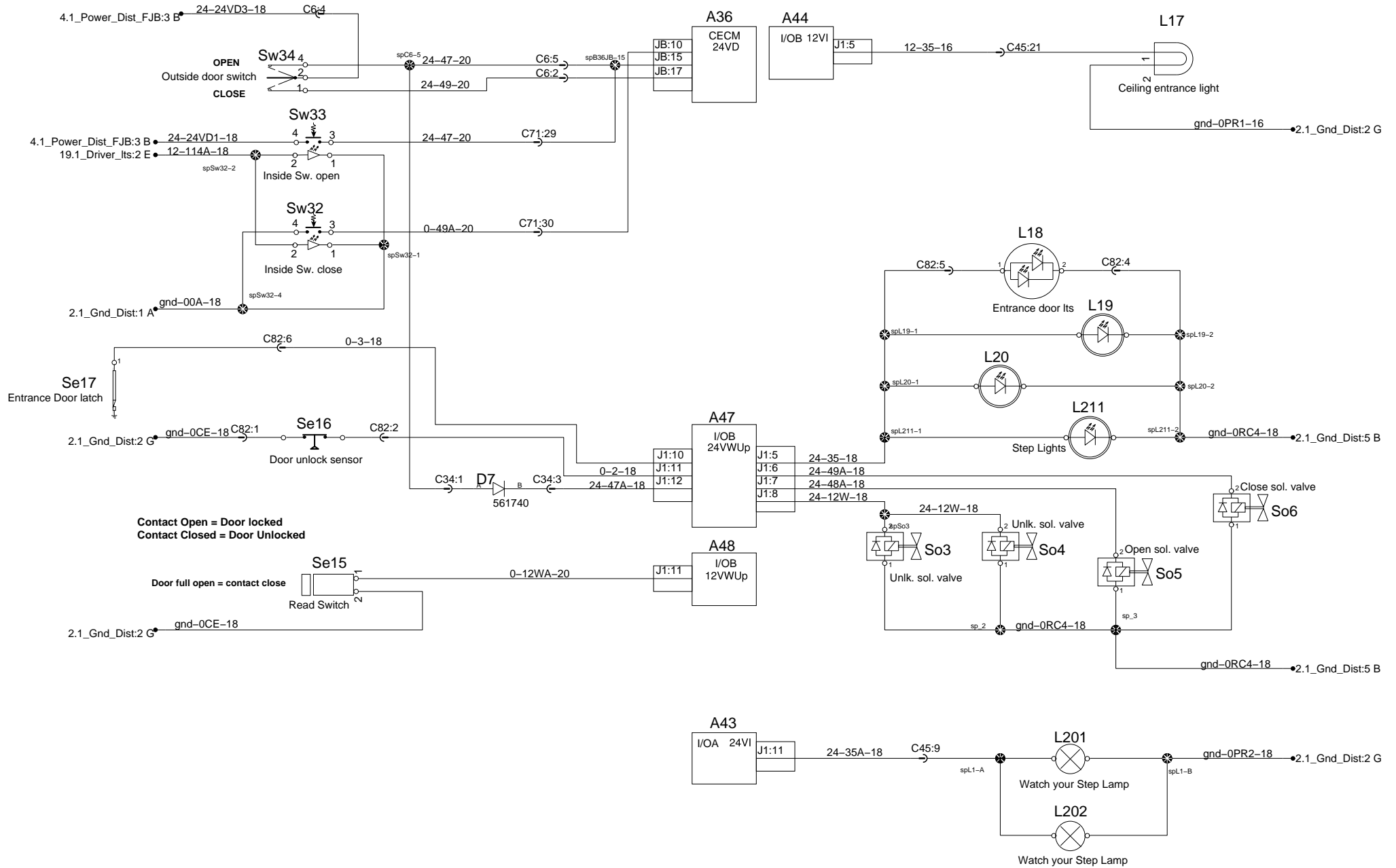
# Entrance door



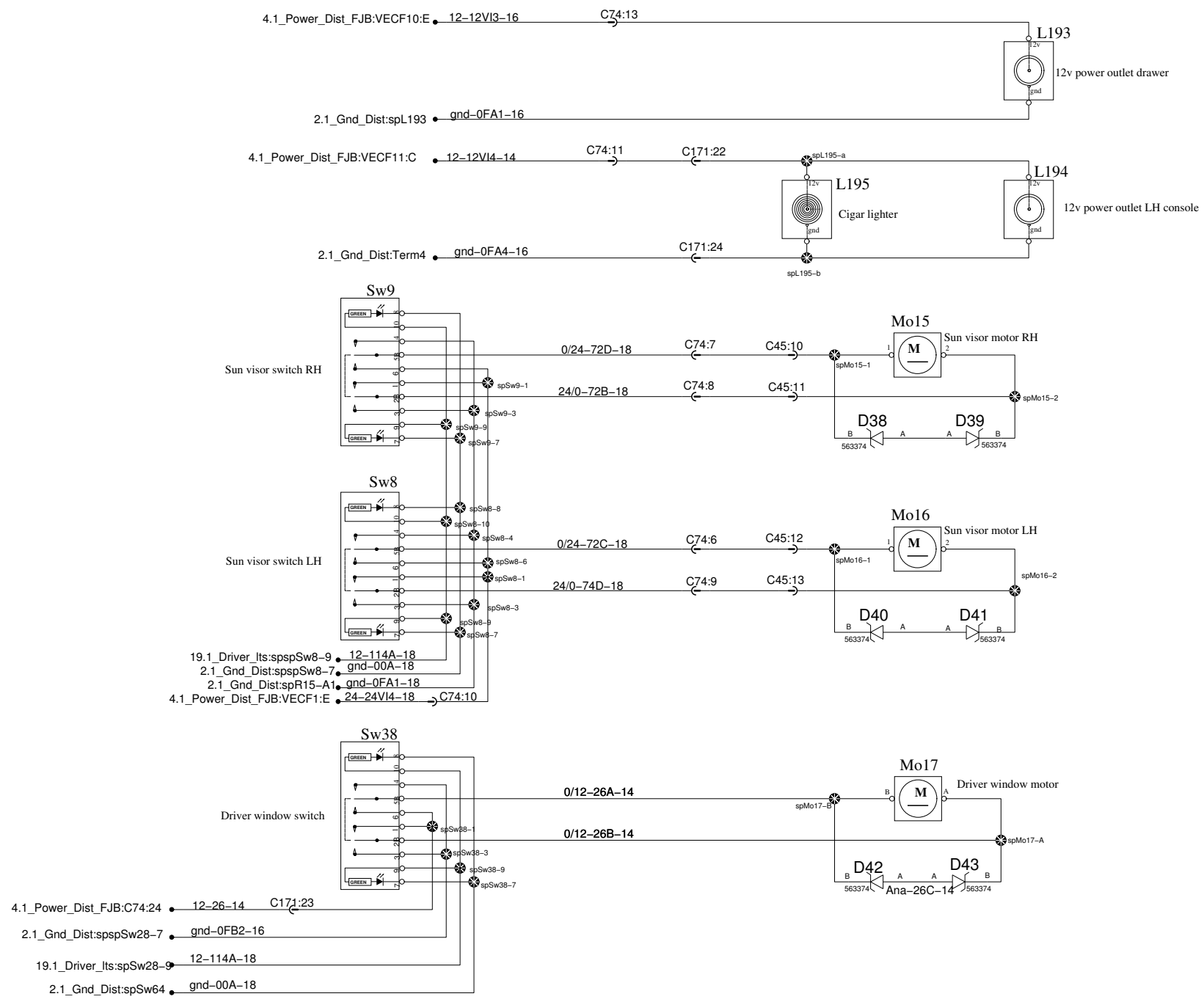
# Entrance door



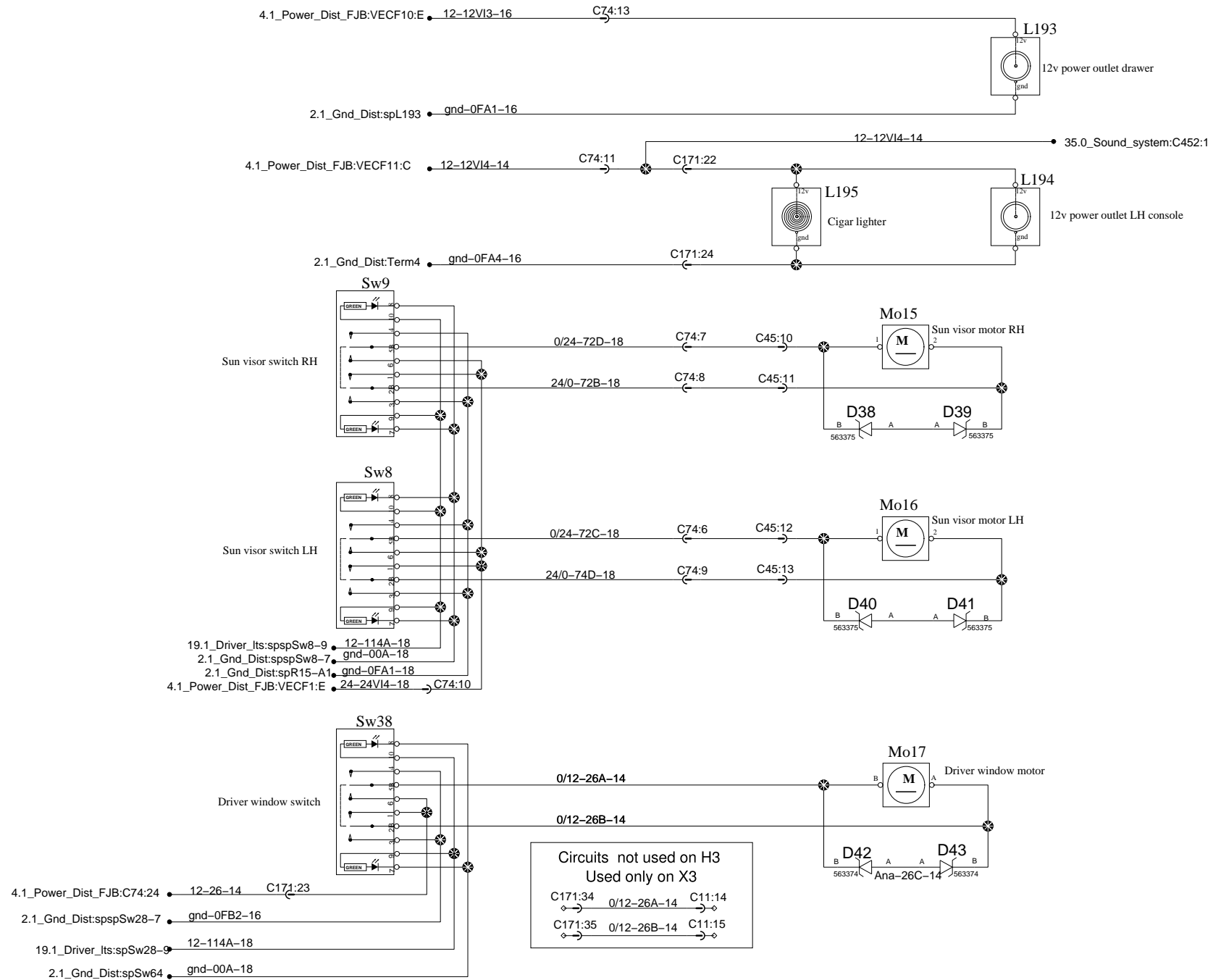
# Entrance door



# Sun Visor, Driver Window and 12V Outlet

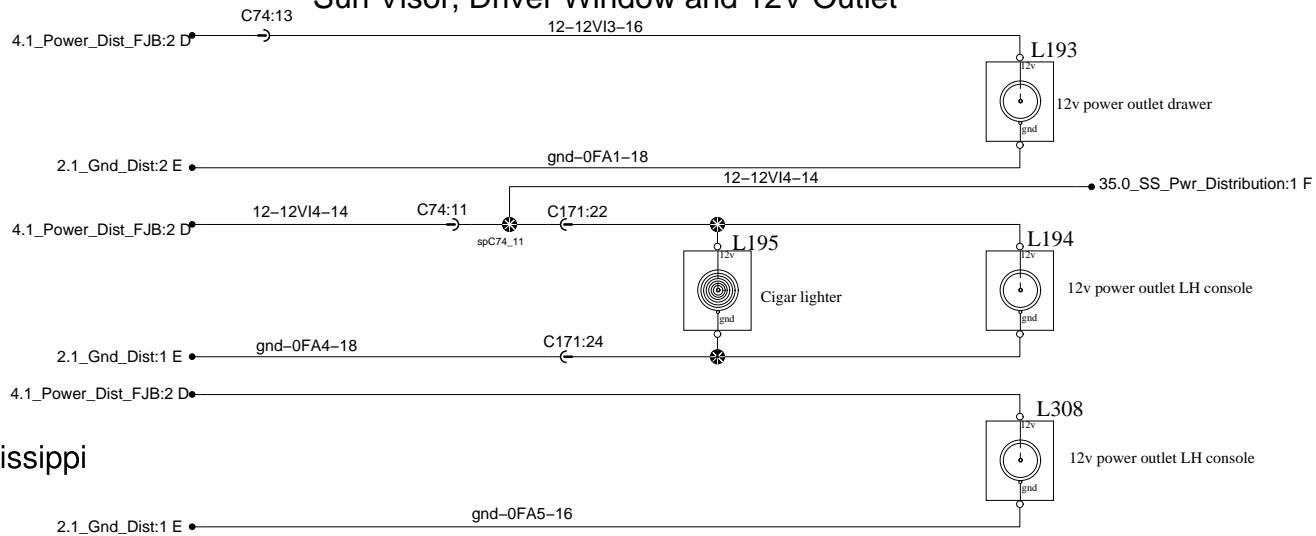


# Sun Visor, Driver Window and 12V Outlet

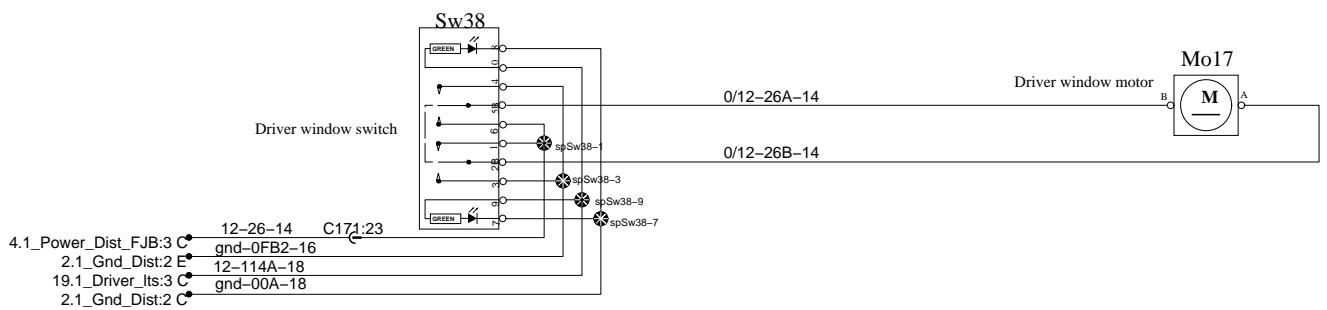
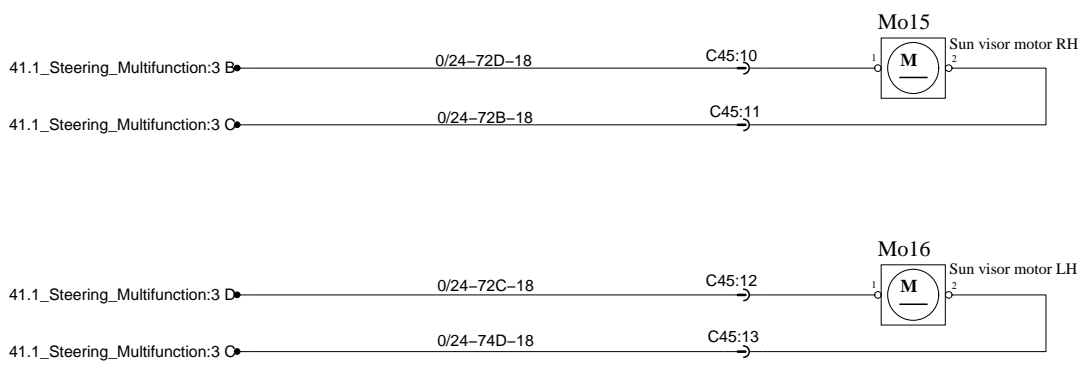




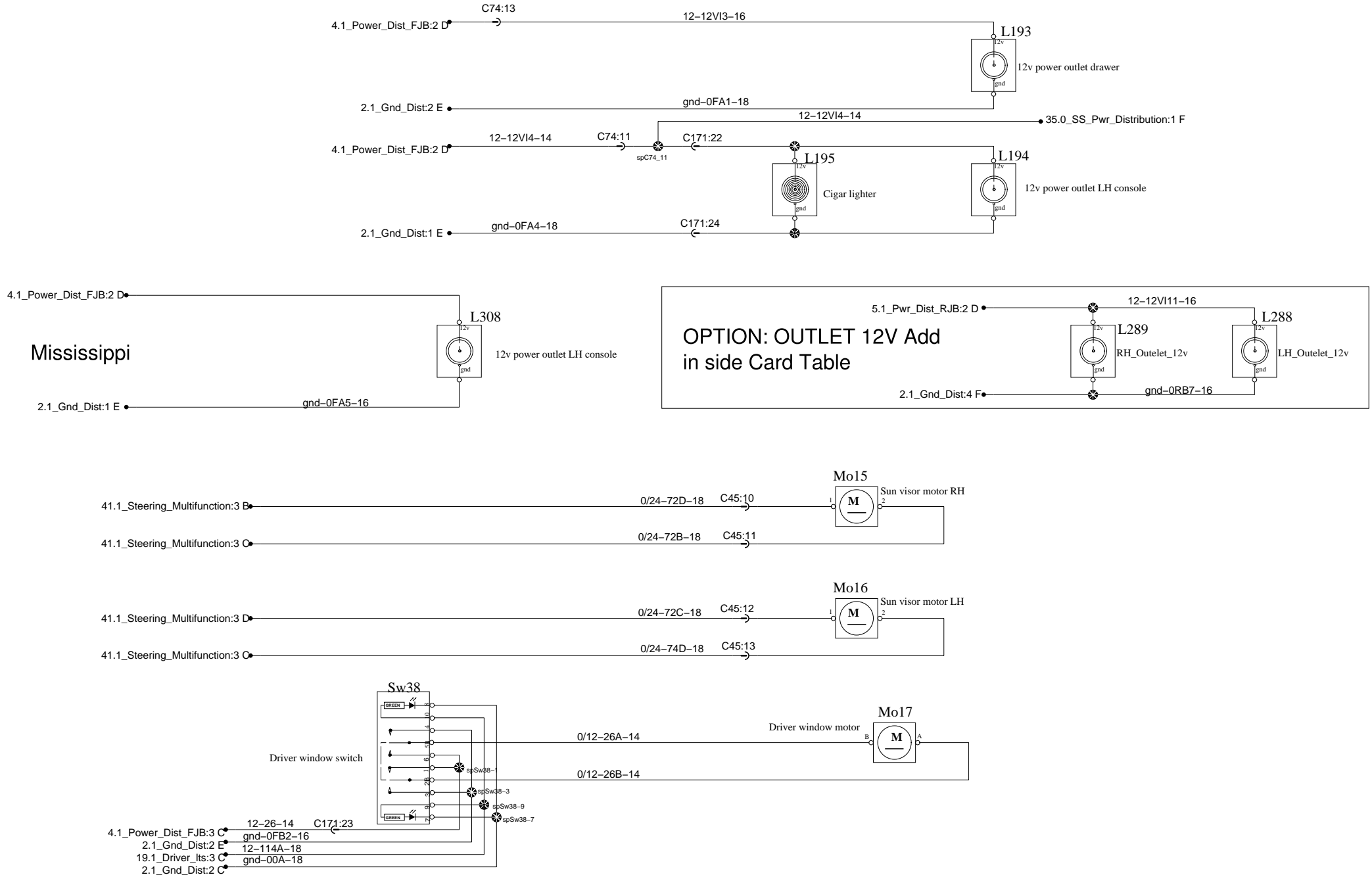
# Sun Visor, Driver Window and 12V Outlet



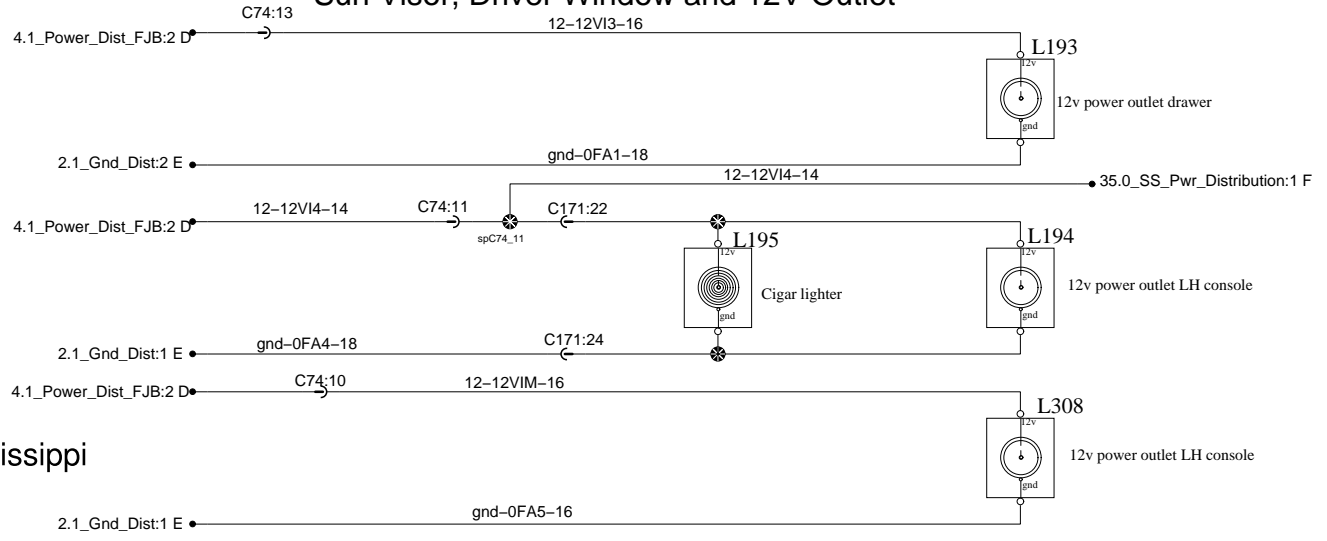
## Mississippi



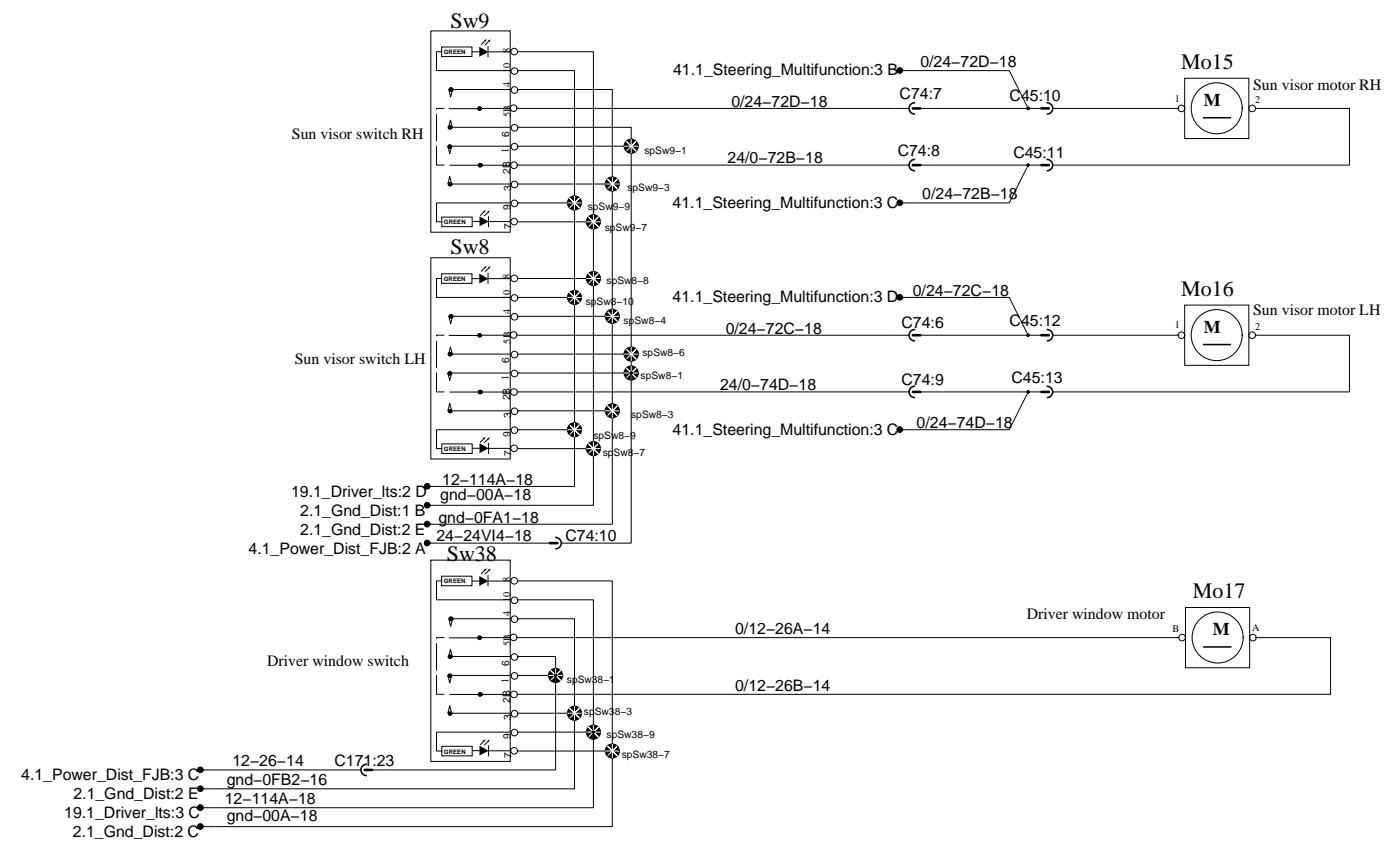
# Sun Visor, Driver Window and 12V Outlet



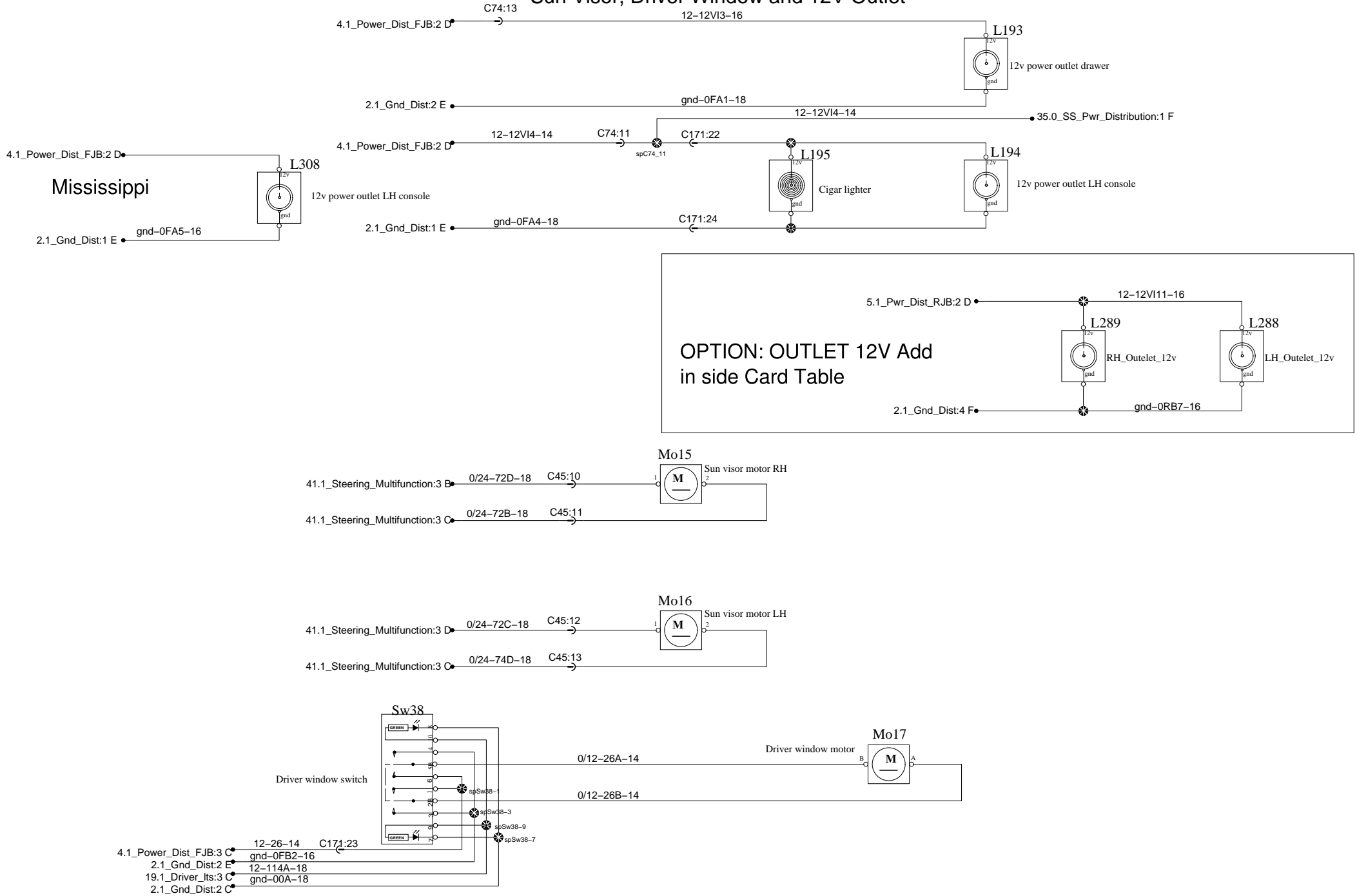
# Sun Visor, Driver Window and 12V Outlet



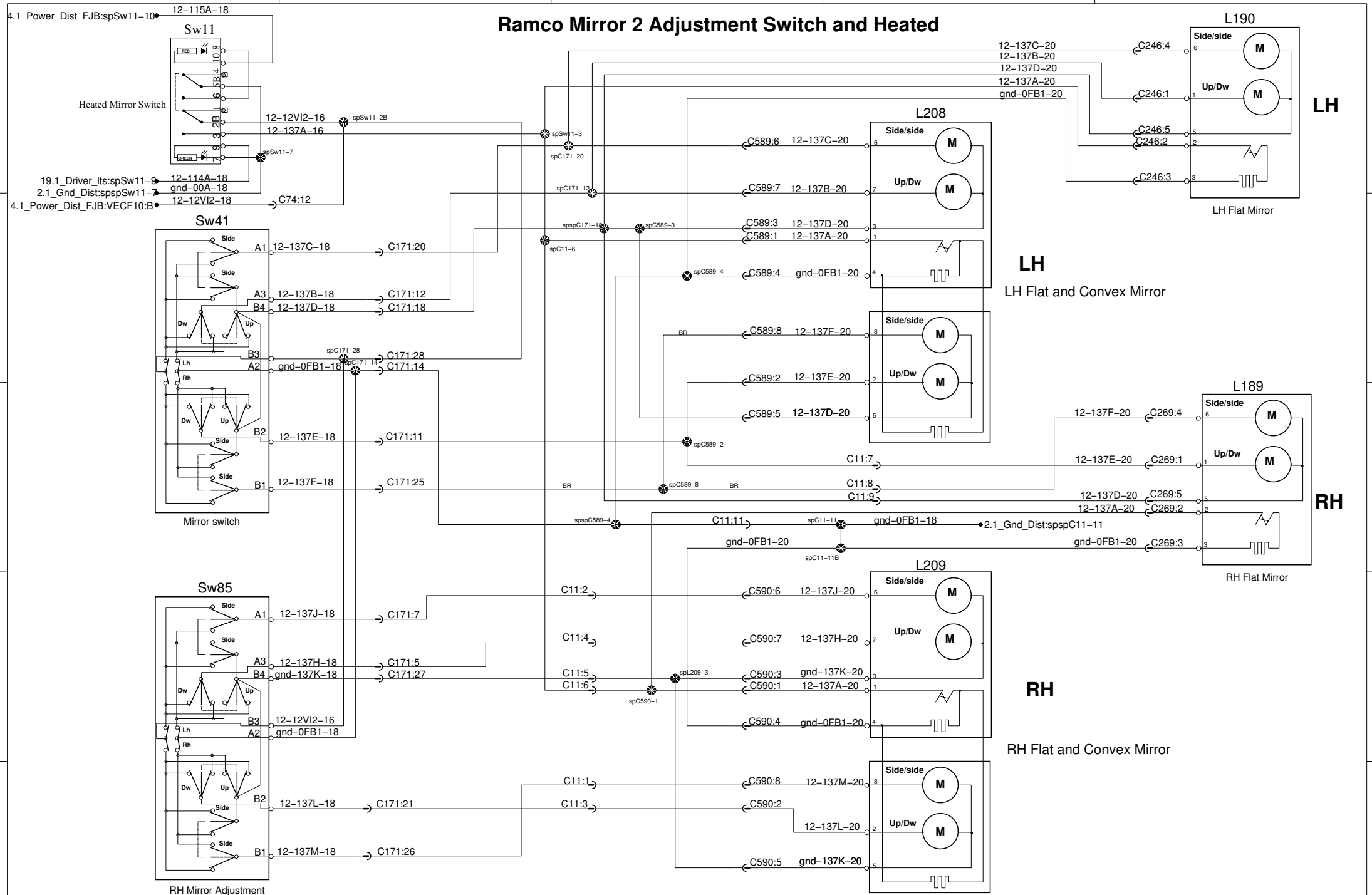
## Mississippi



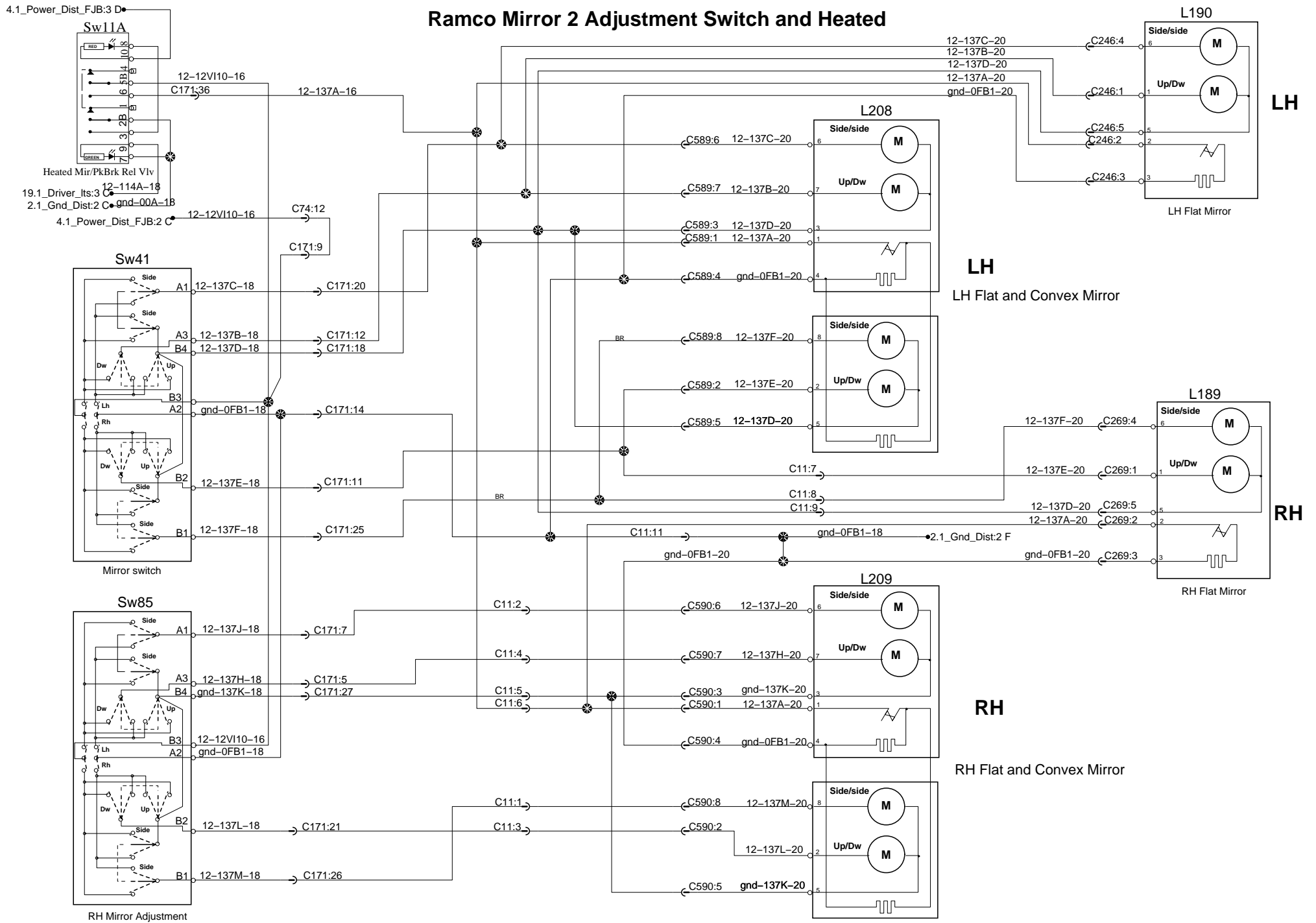
# Sun Visor, Driver Window and 12V Outlet



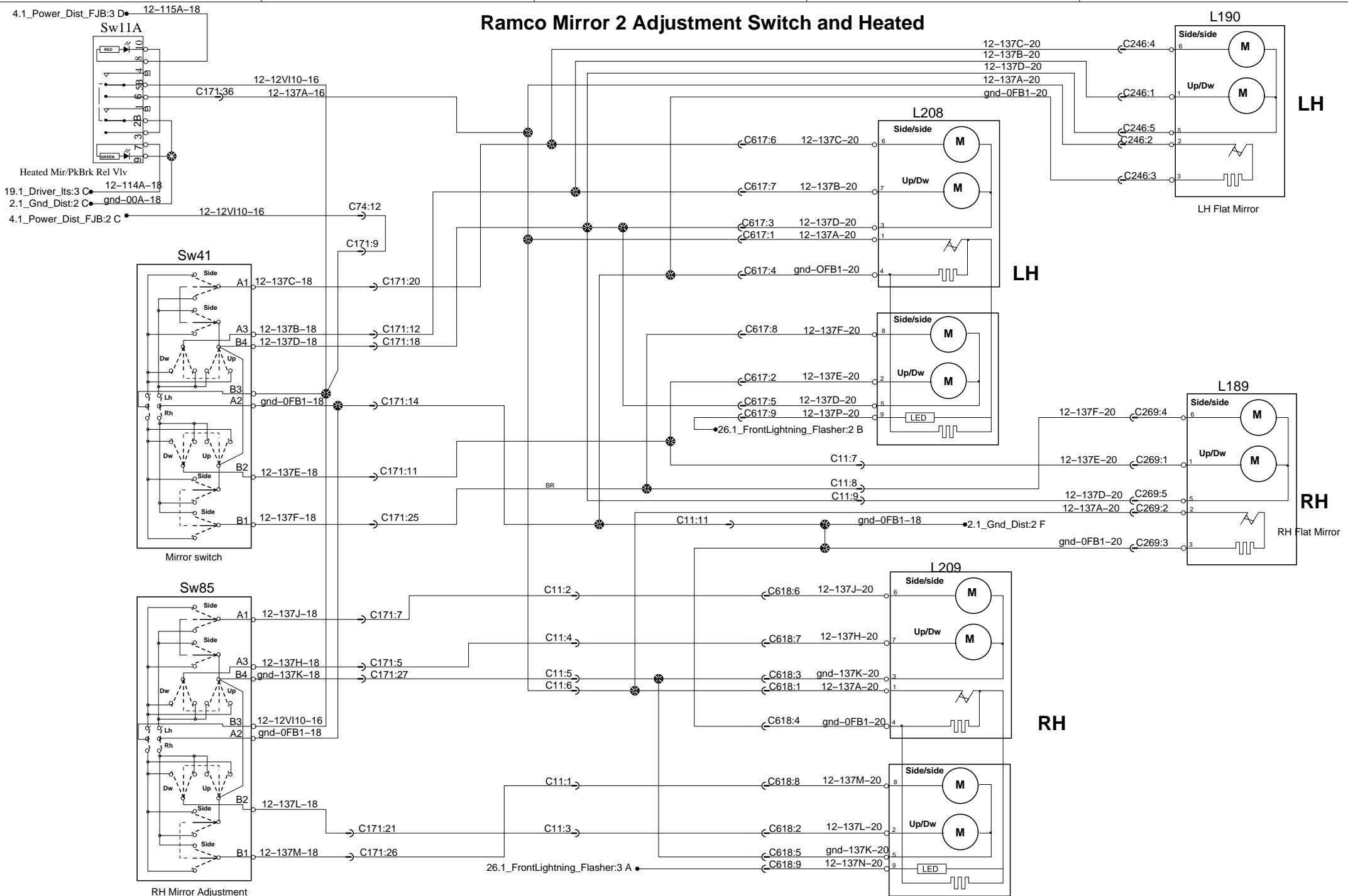
# Ramco Mirror 2 Adjustment Switch and Heated



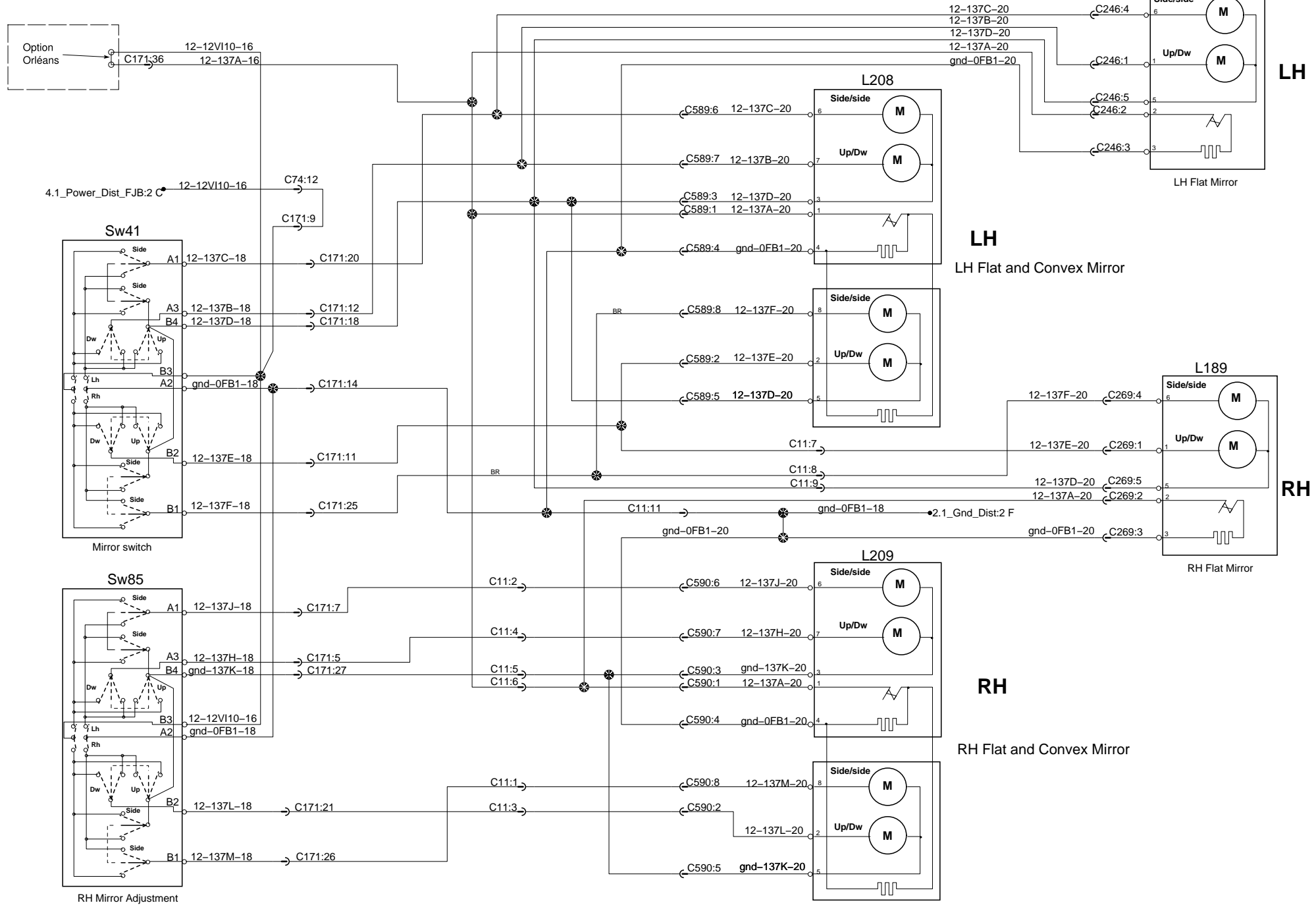
# Ramco Mirror 2 Adjustment Switch and Heated



# Ramco Mirror 2 Adjustment Switch and Heated

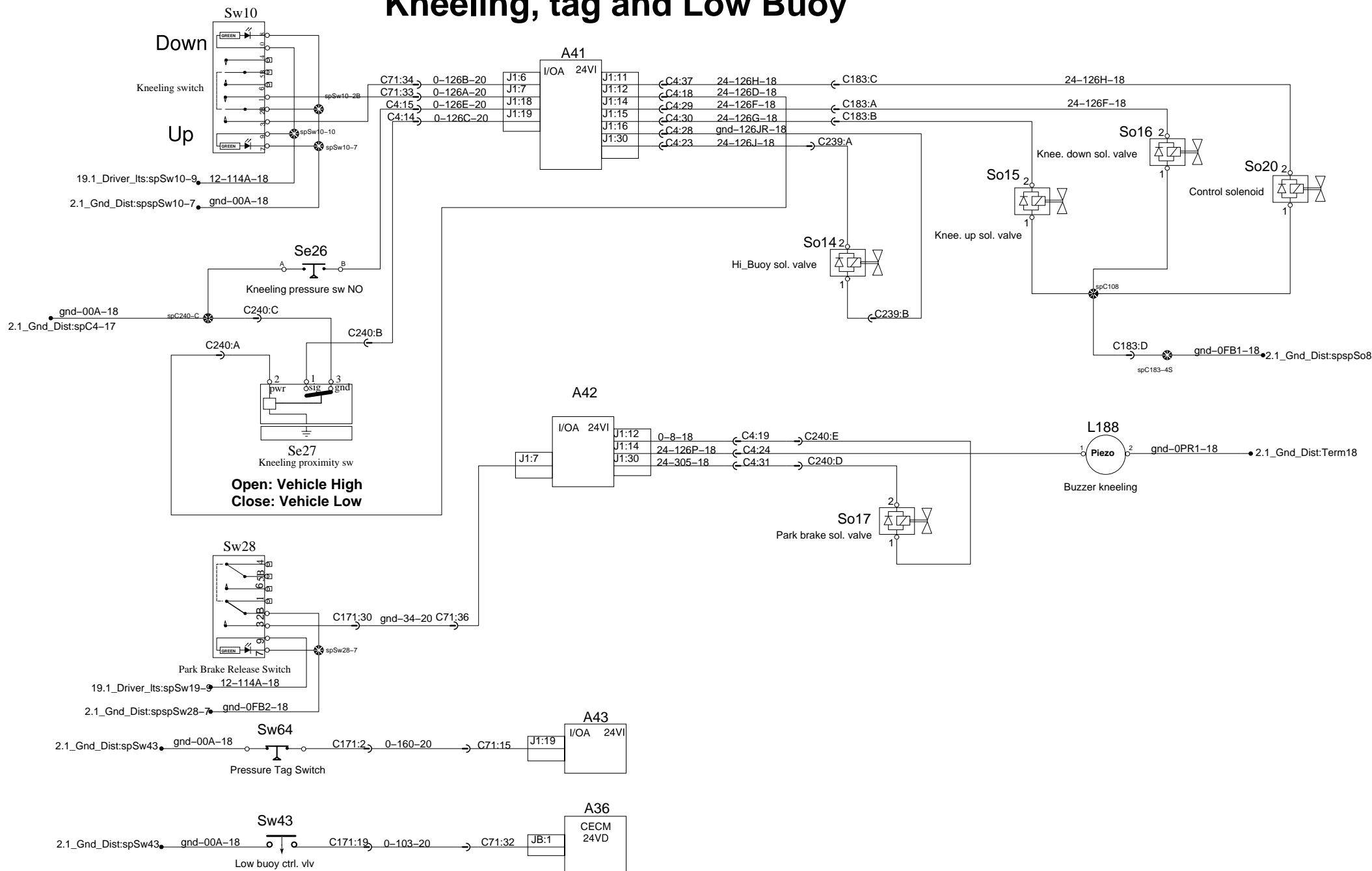


# Ramco Mirror 2 Adjustment Switch and Heated

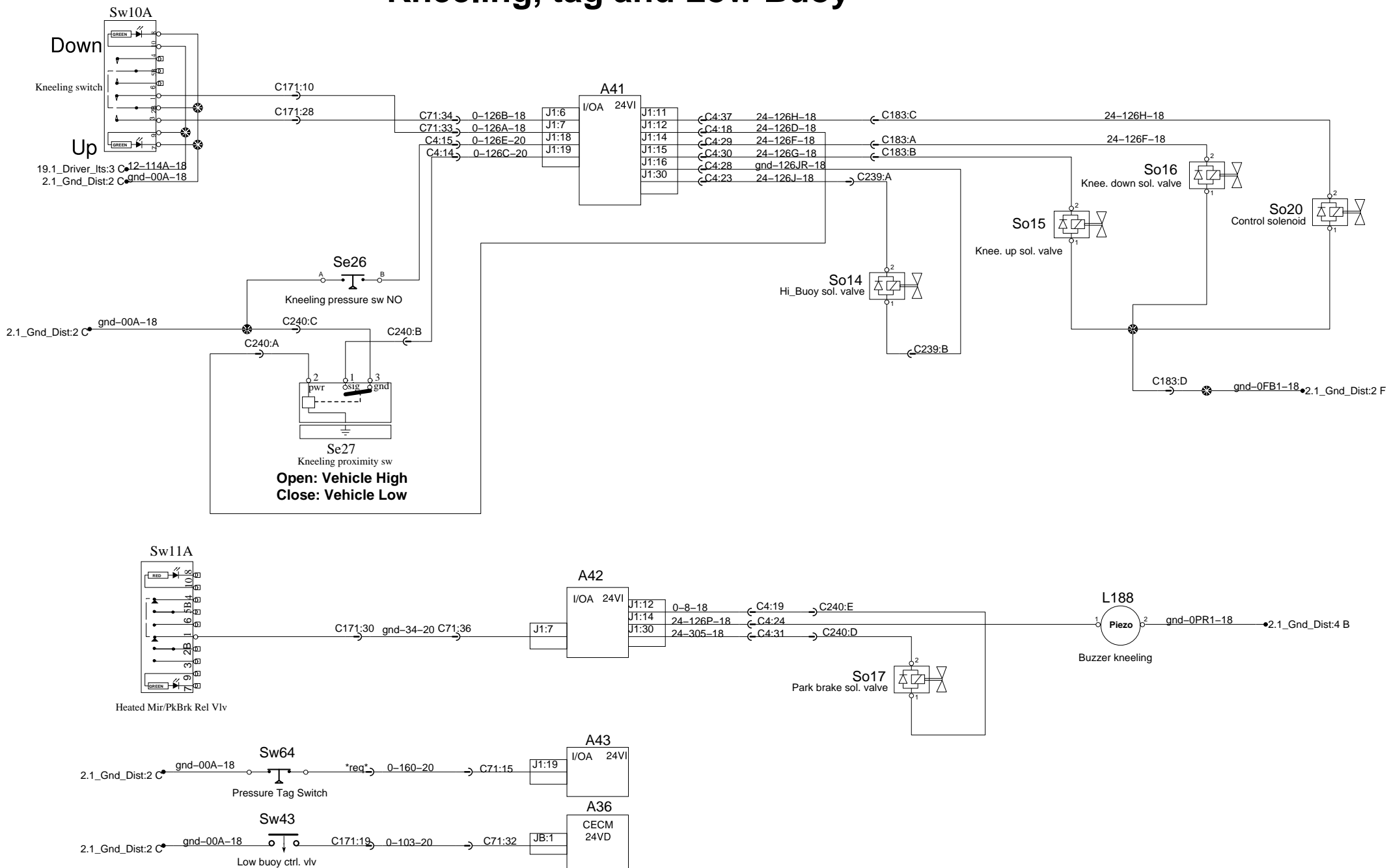




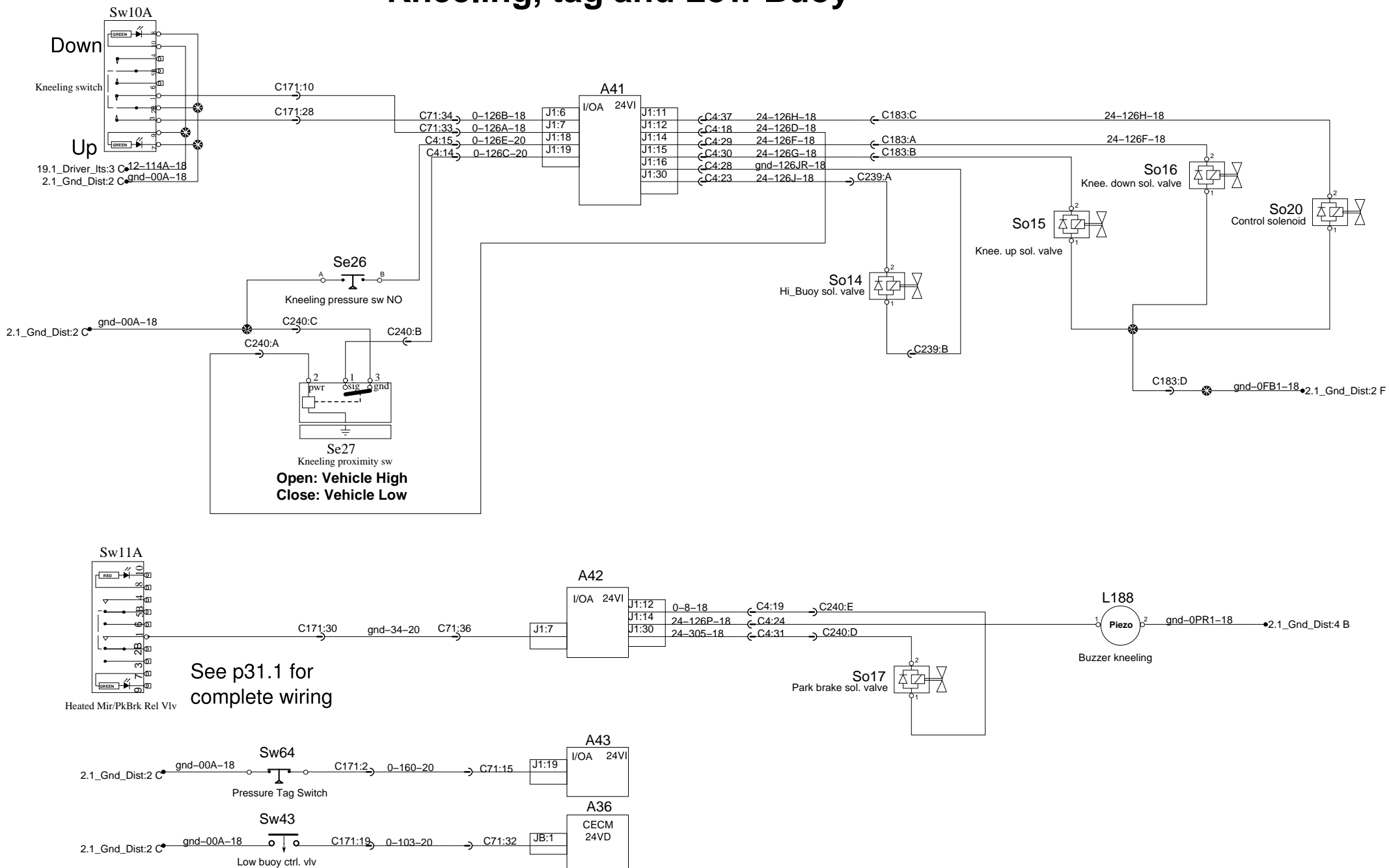
# Kneeling, tag and Low Buoy



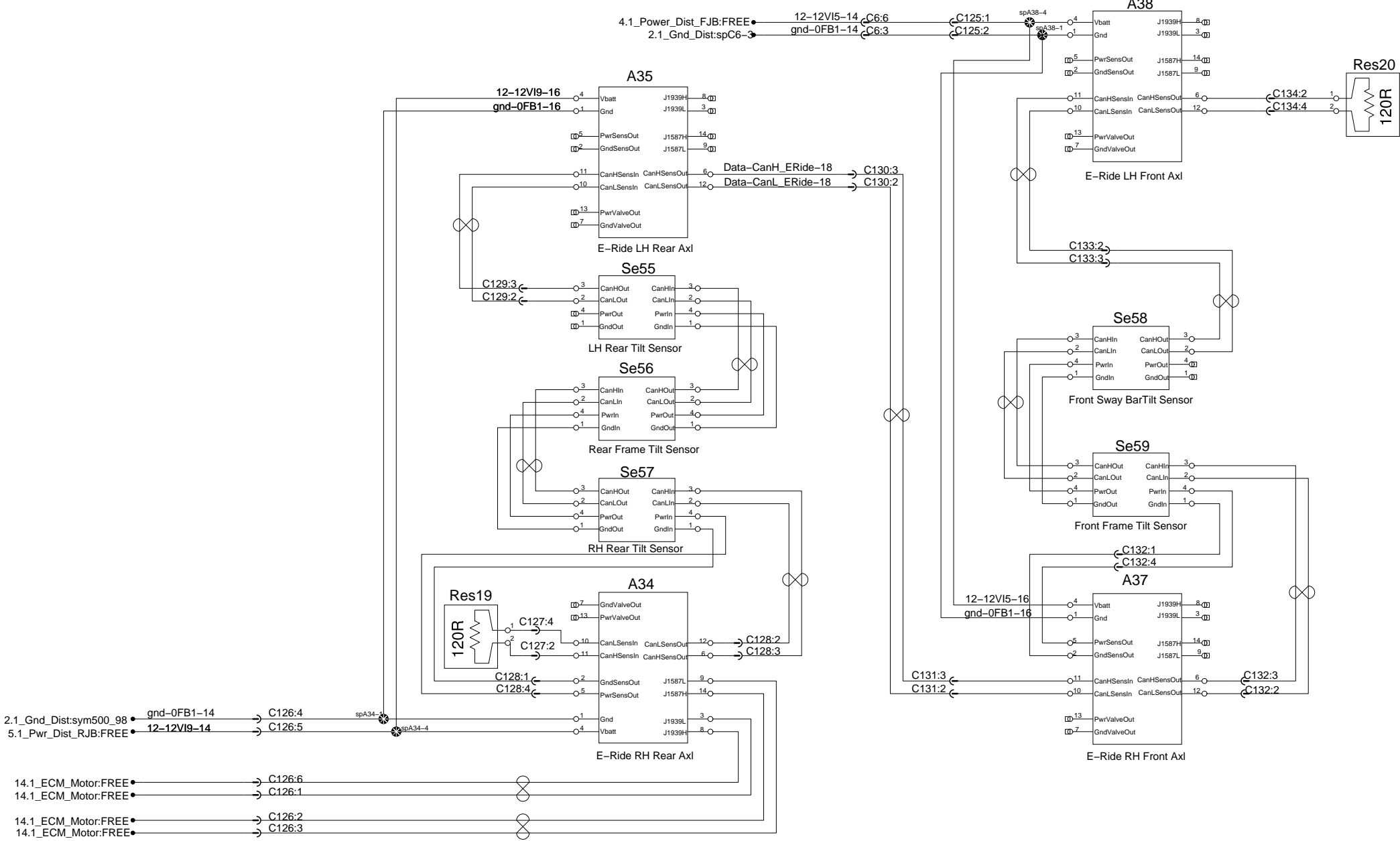
# Kneeling, tag and Low Buoy



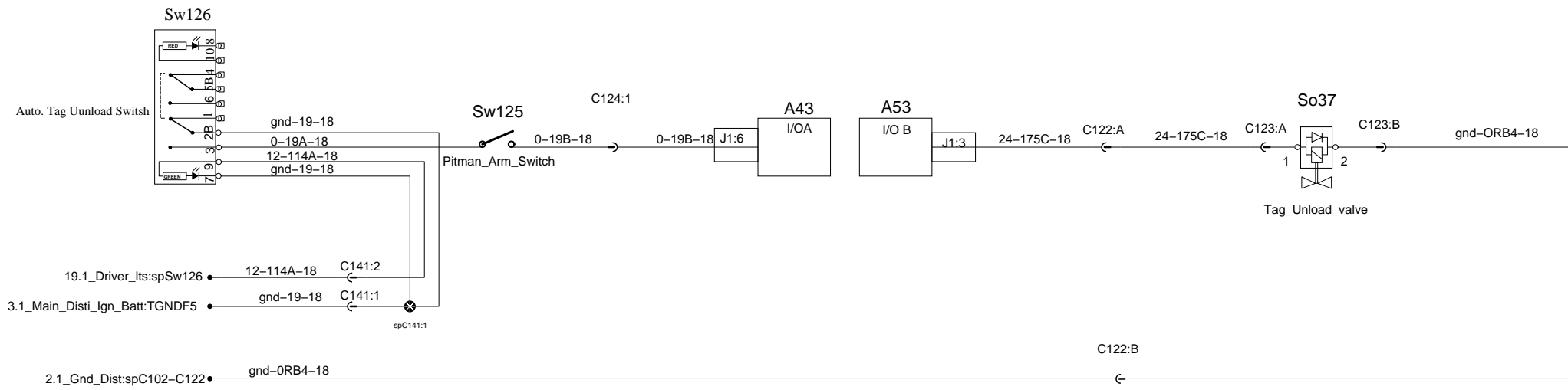
# Kneeling, tag and Low Buoy



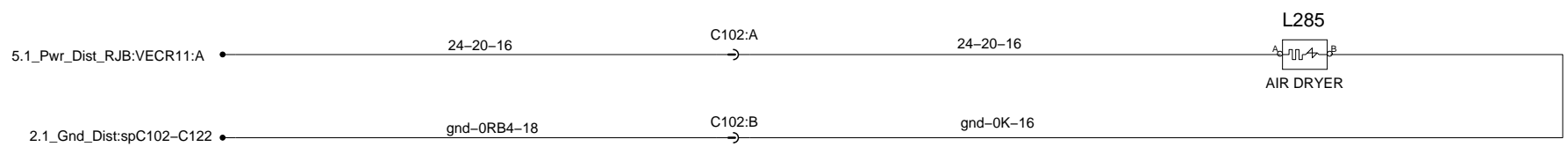
# E\_Ride Control System



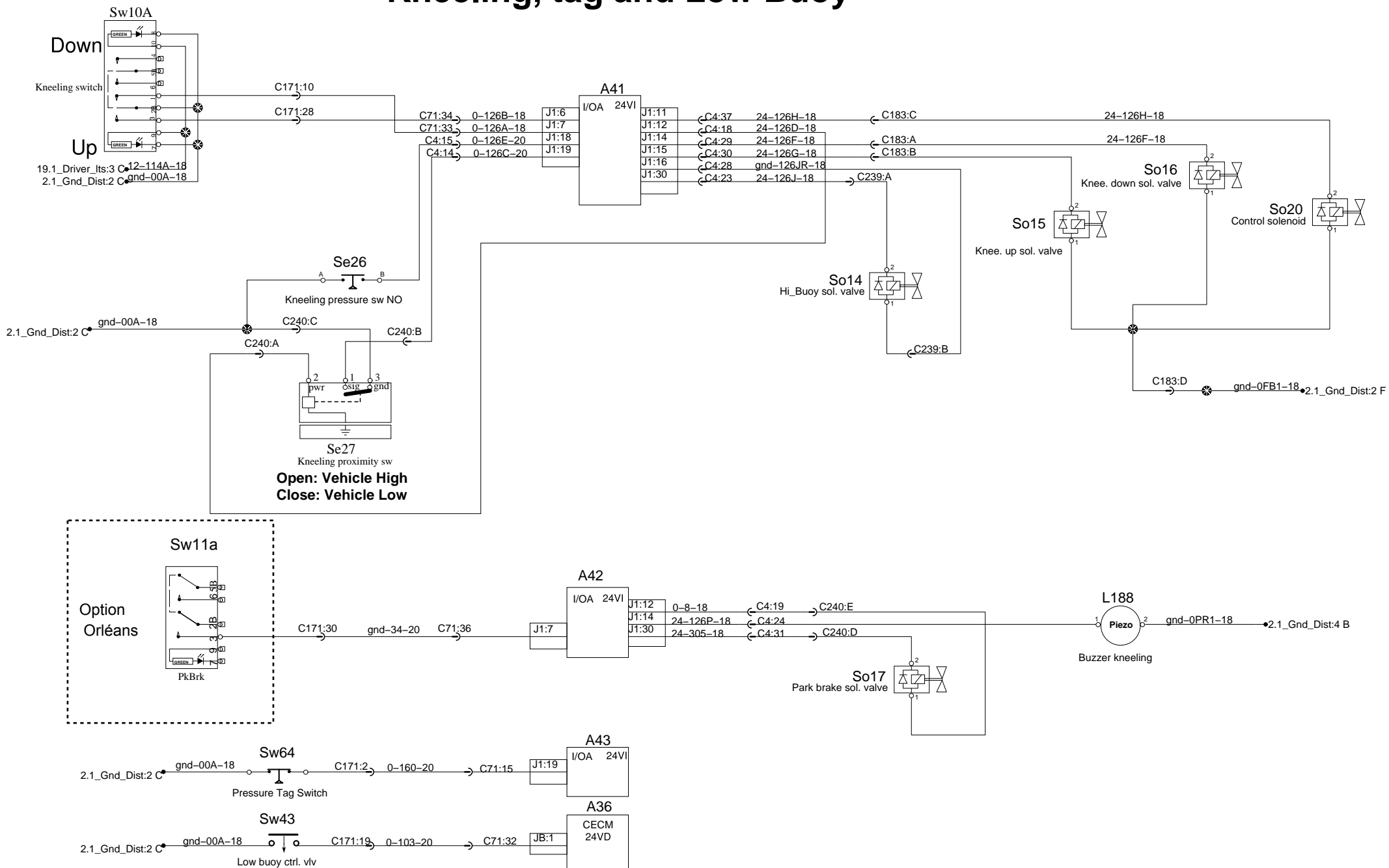
## AUTOMATIC TAG UNLOAD



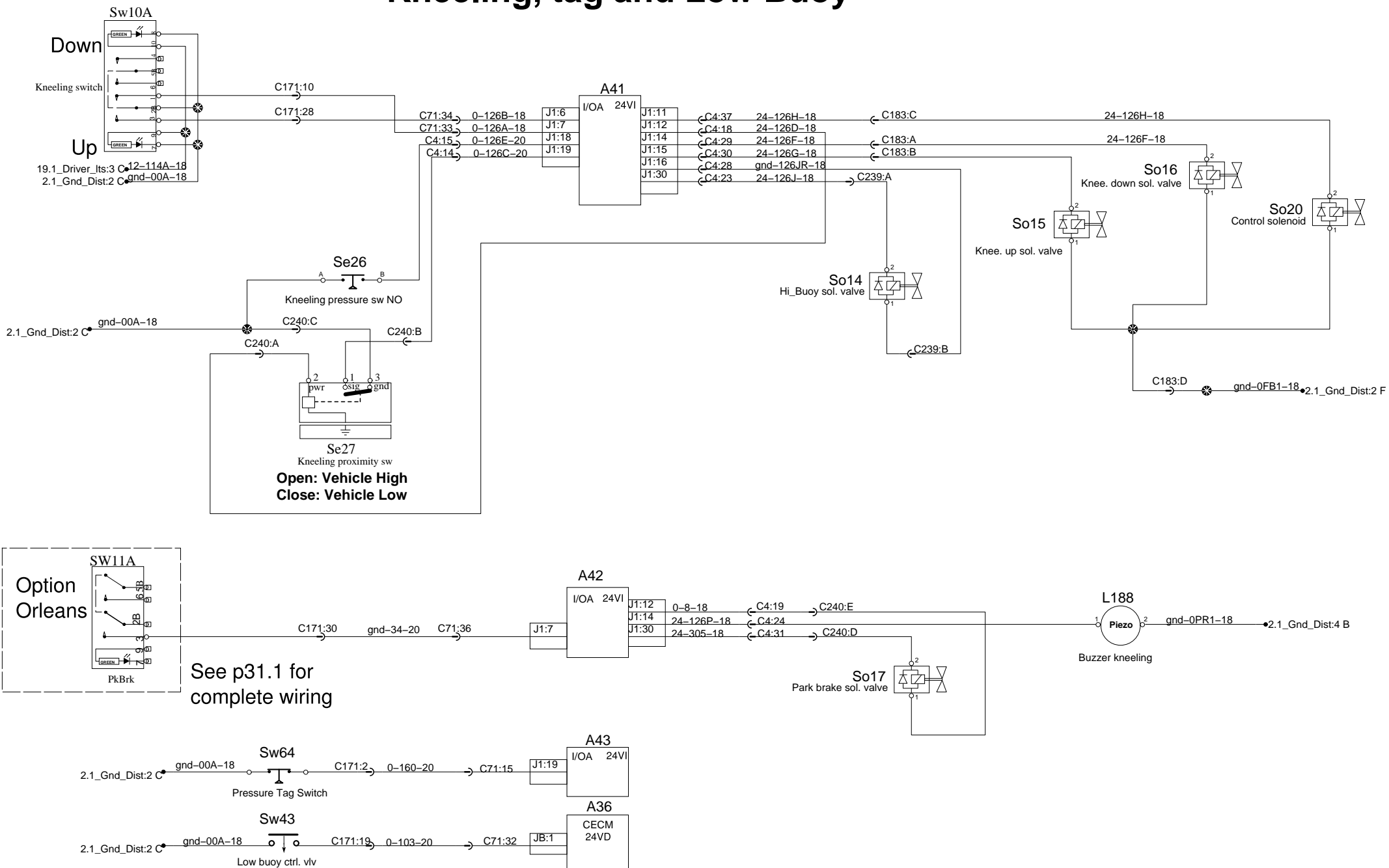
## AIR DRYER SYSTEM



# Kneeling, tag and Low Buoy



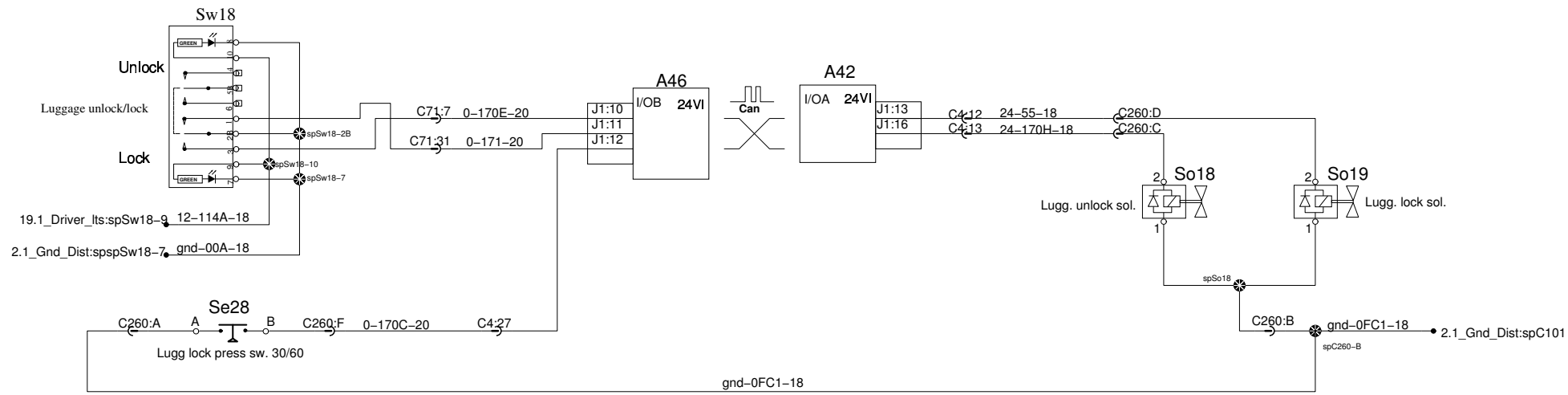
# Kneeling, tag and Low Buoy



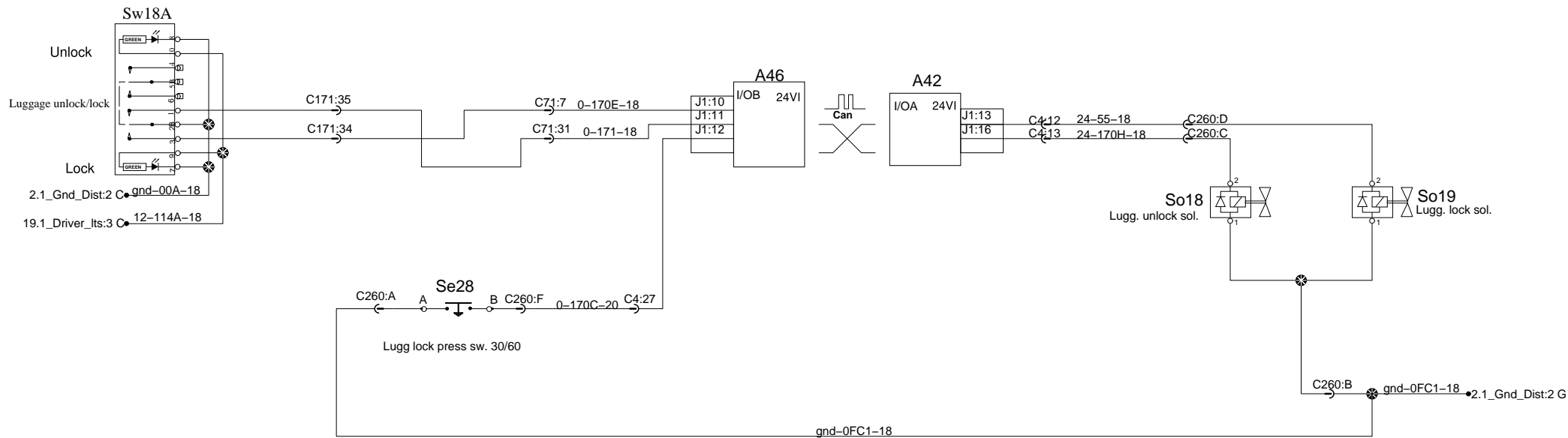




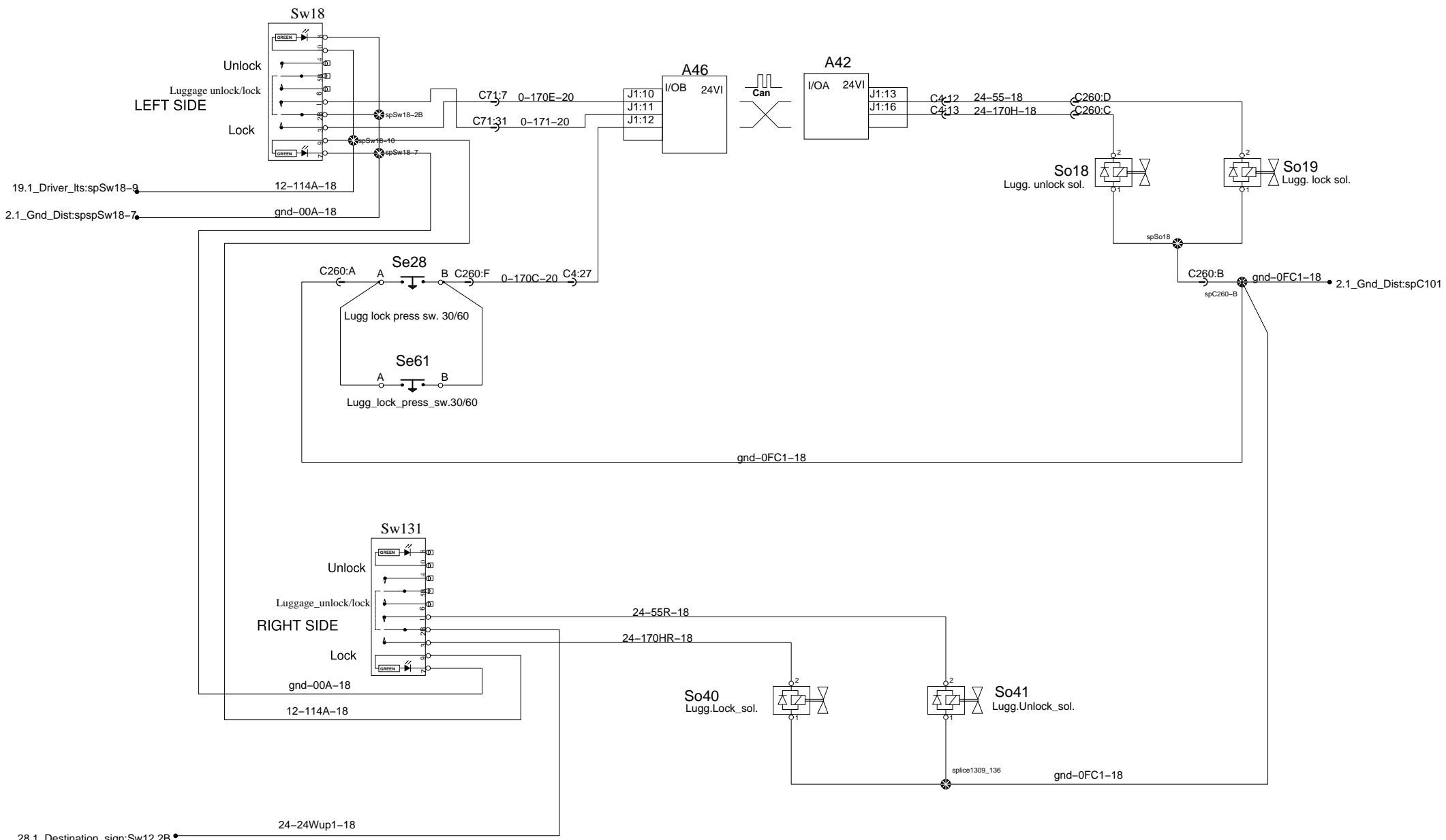
# Luggage door Lock/Unlock



# Luggage door Lock/Unlock

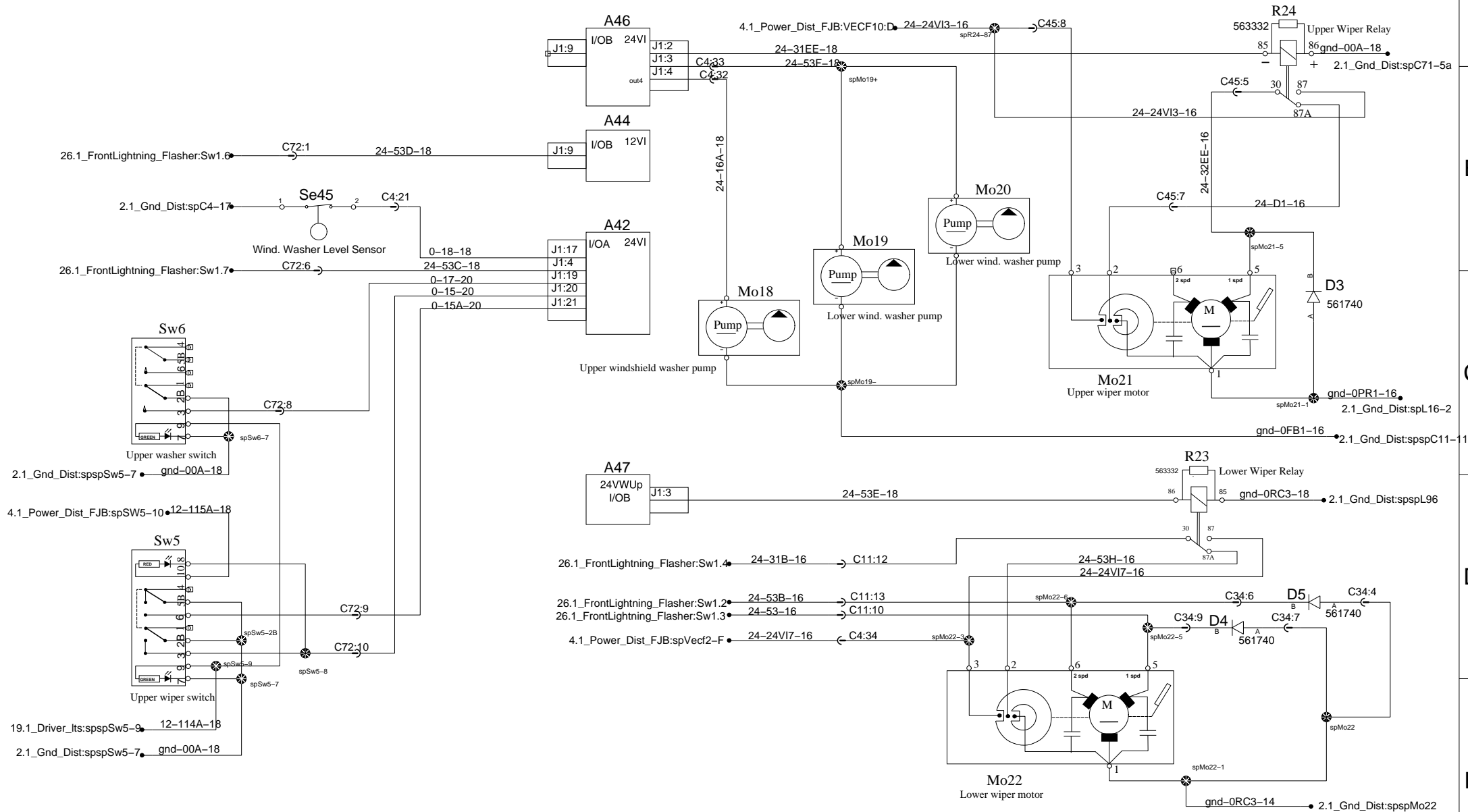


# Luggage door Lock/Unlock

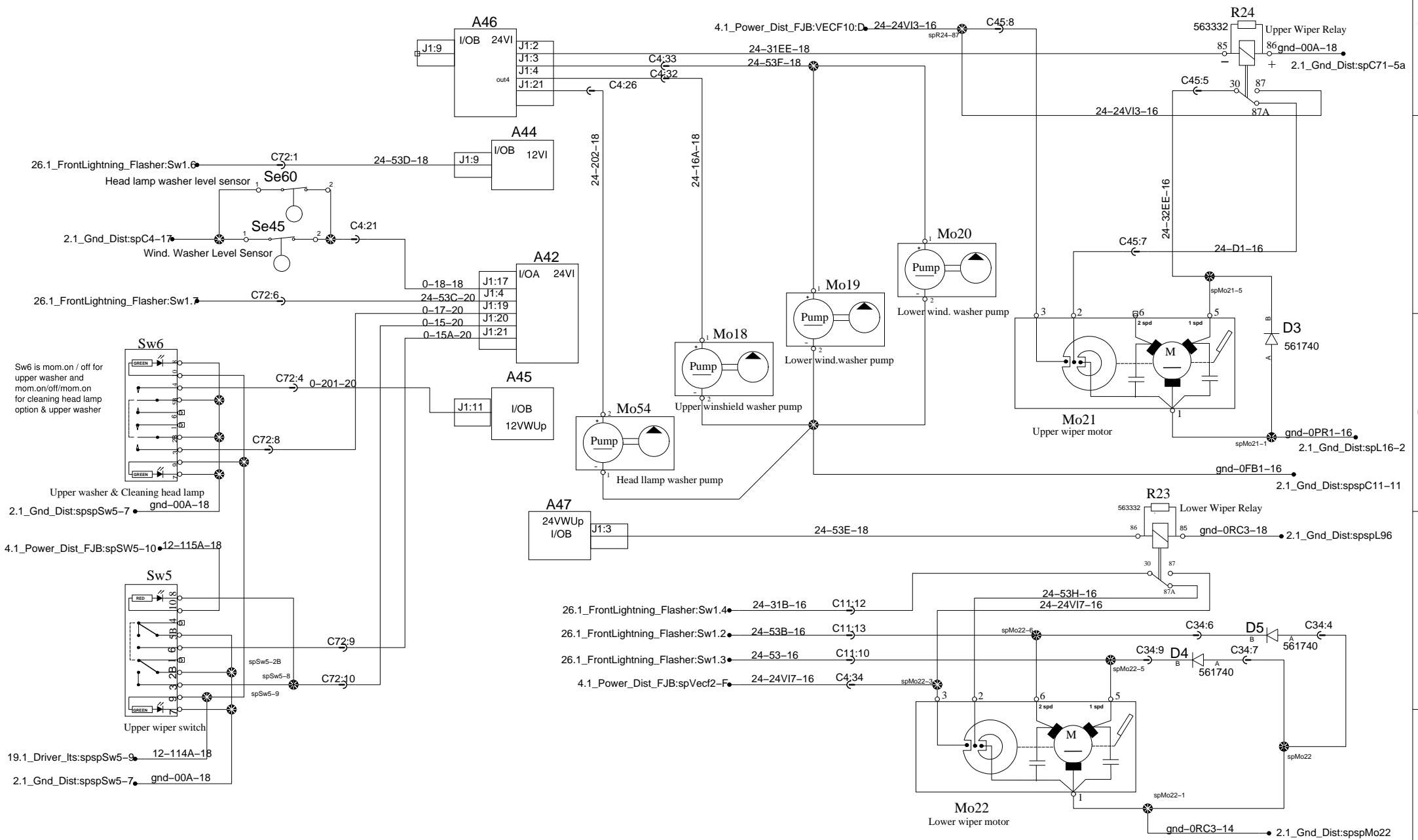


FROM DESTINATION SIGN SWITCH

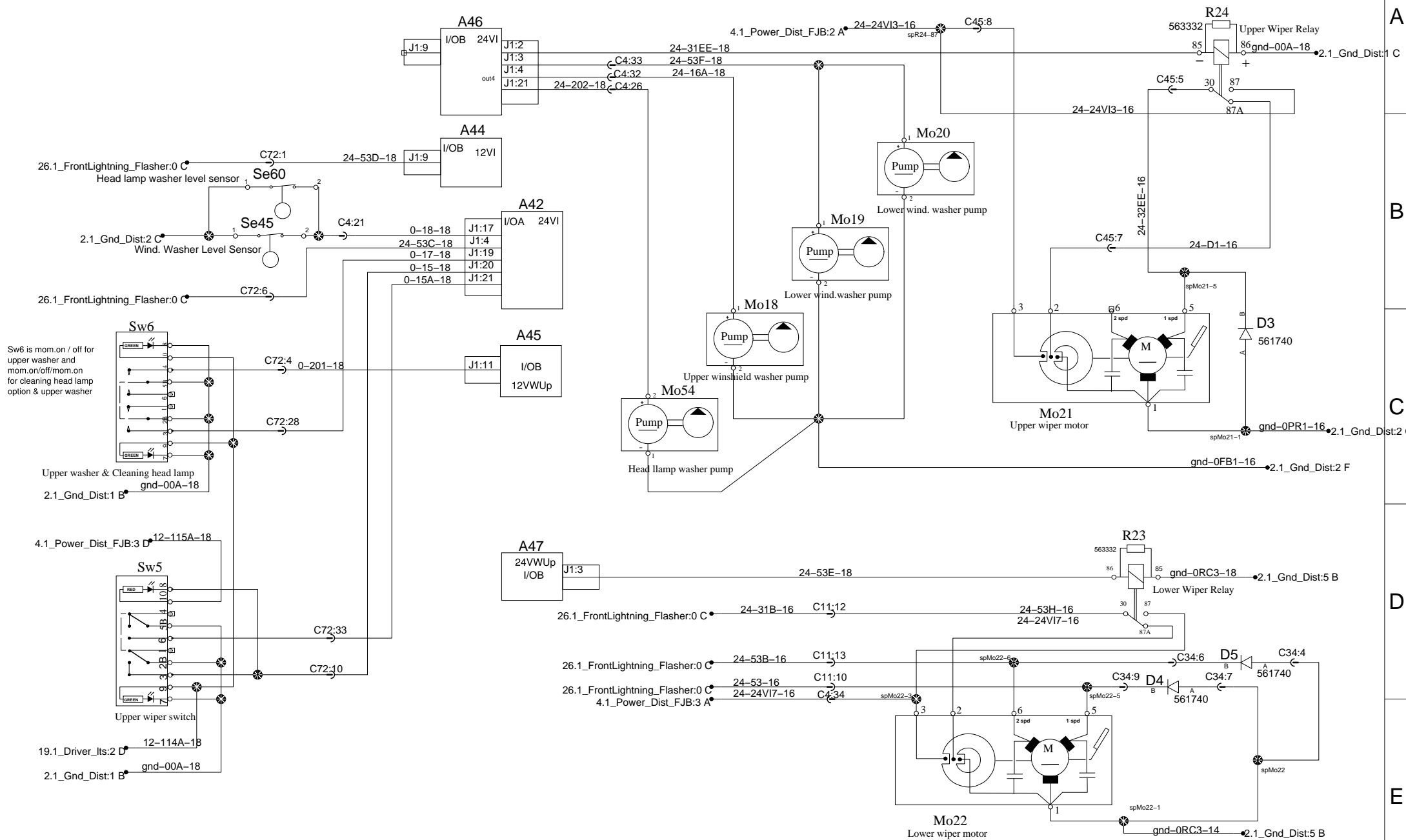
# Wiper and washer



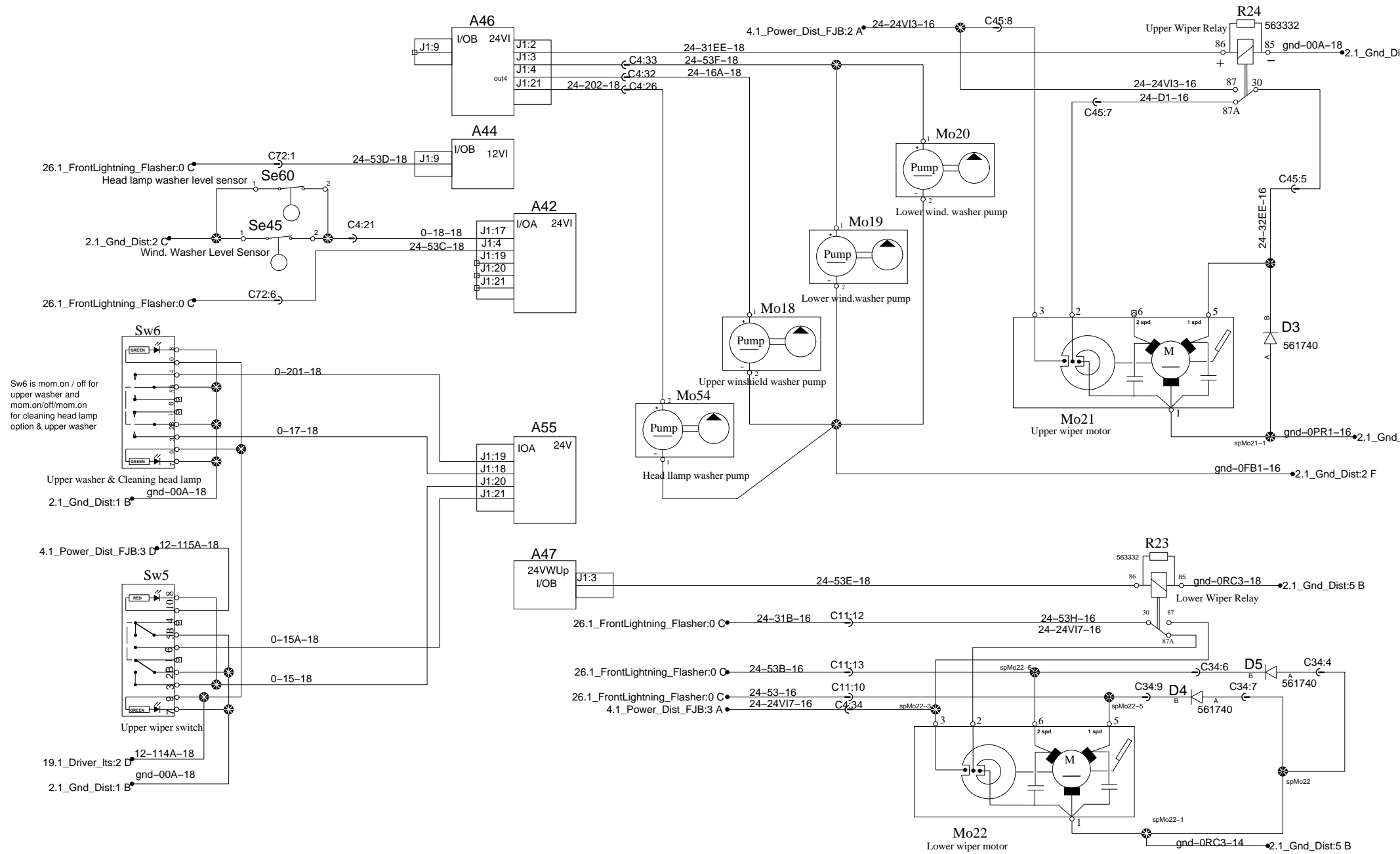
# Wiper and washer



# Wiper and washer



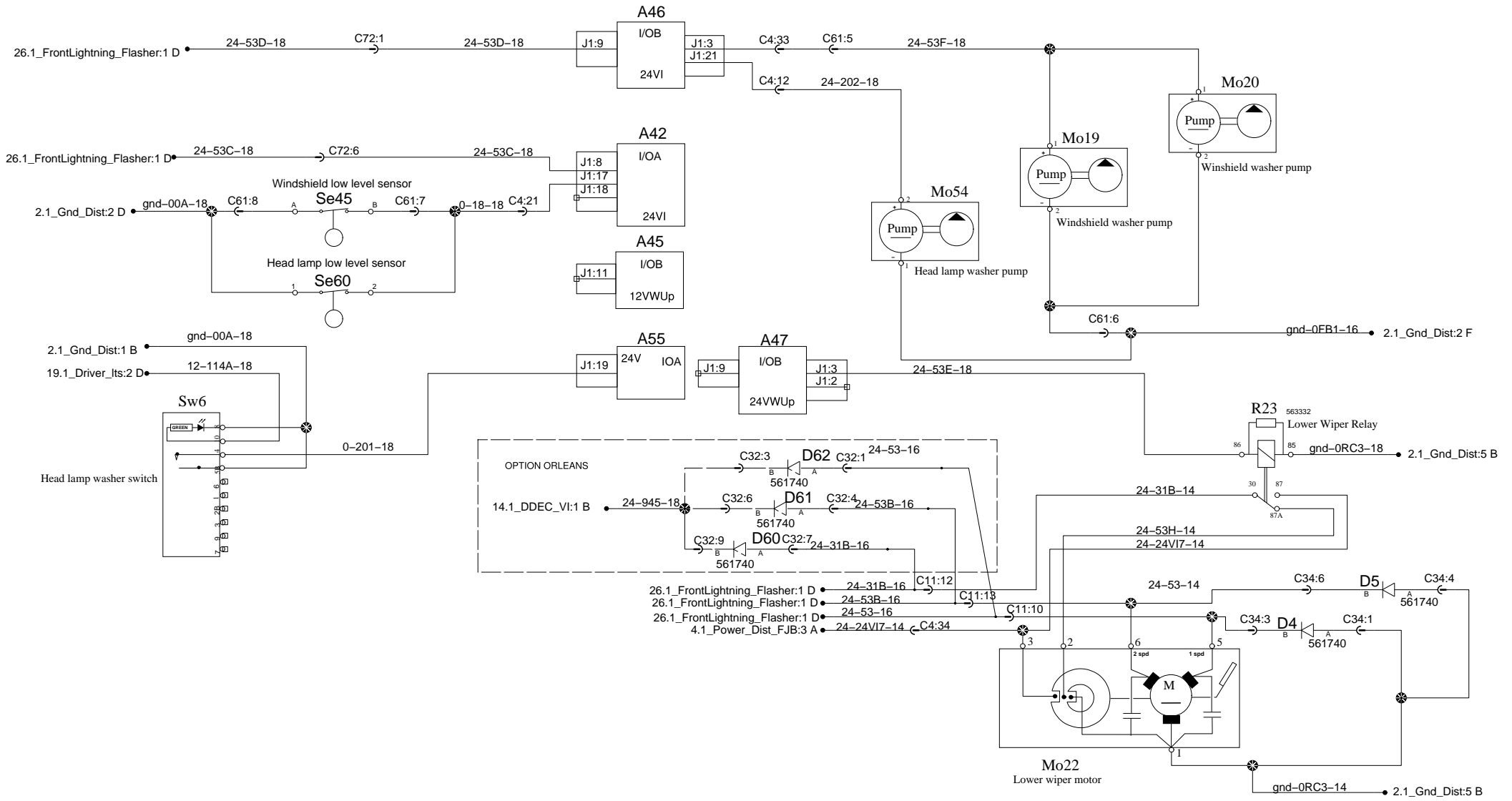
# Wiper and washer

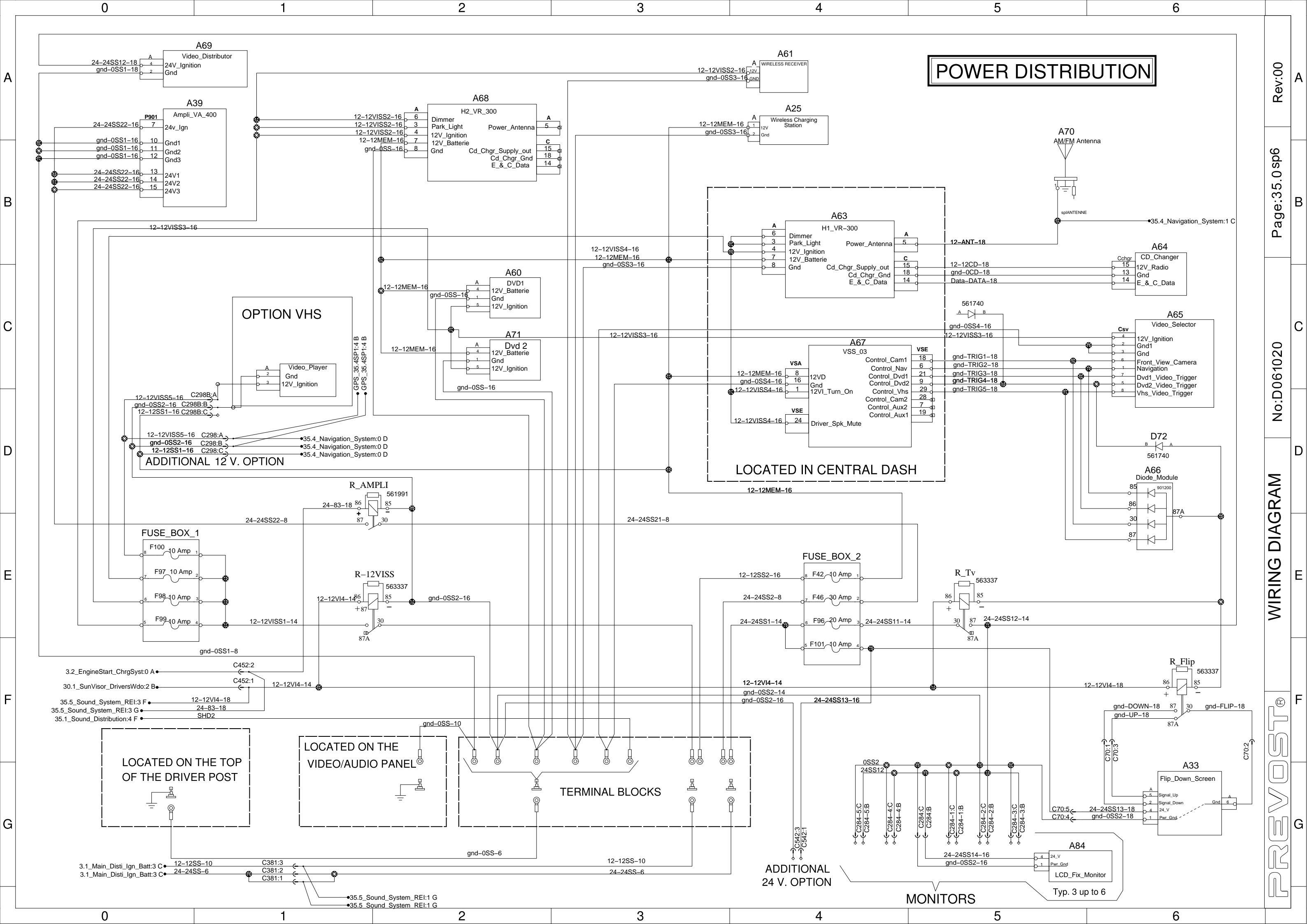






# Wiper and washer





**POWER DISTRIBUTION**

LOCATED IN CENTRAL DASH

OPTION VHS

ADDITIONAL 12 V. OPTION

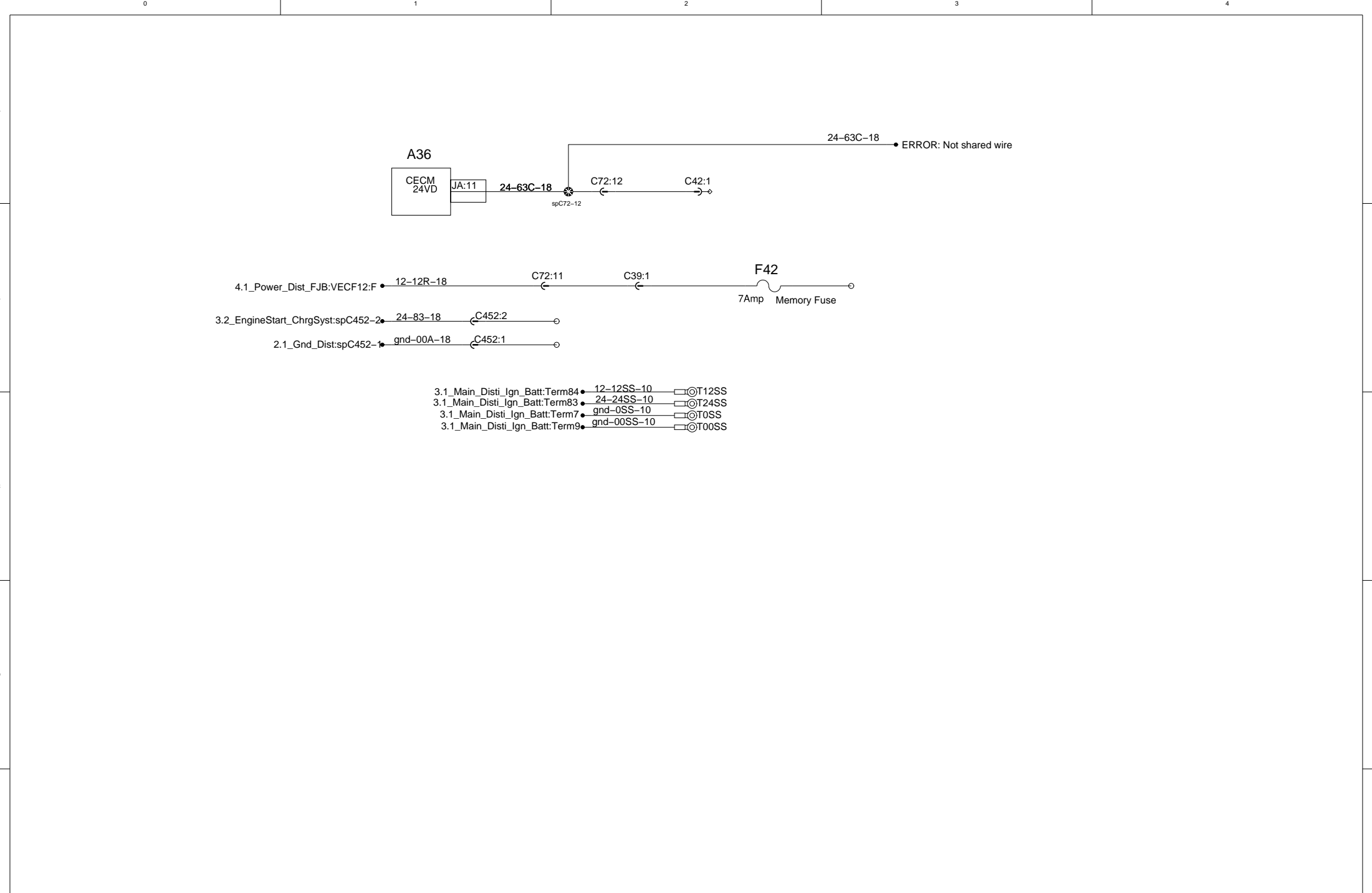
LOCATED ON THE TOP OF THE DRIVER POST

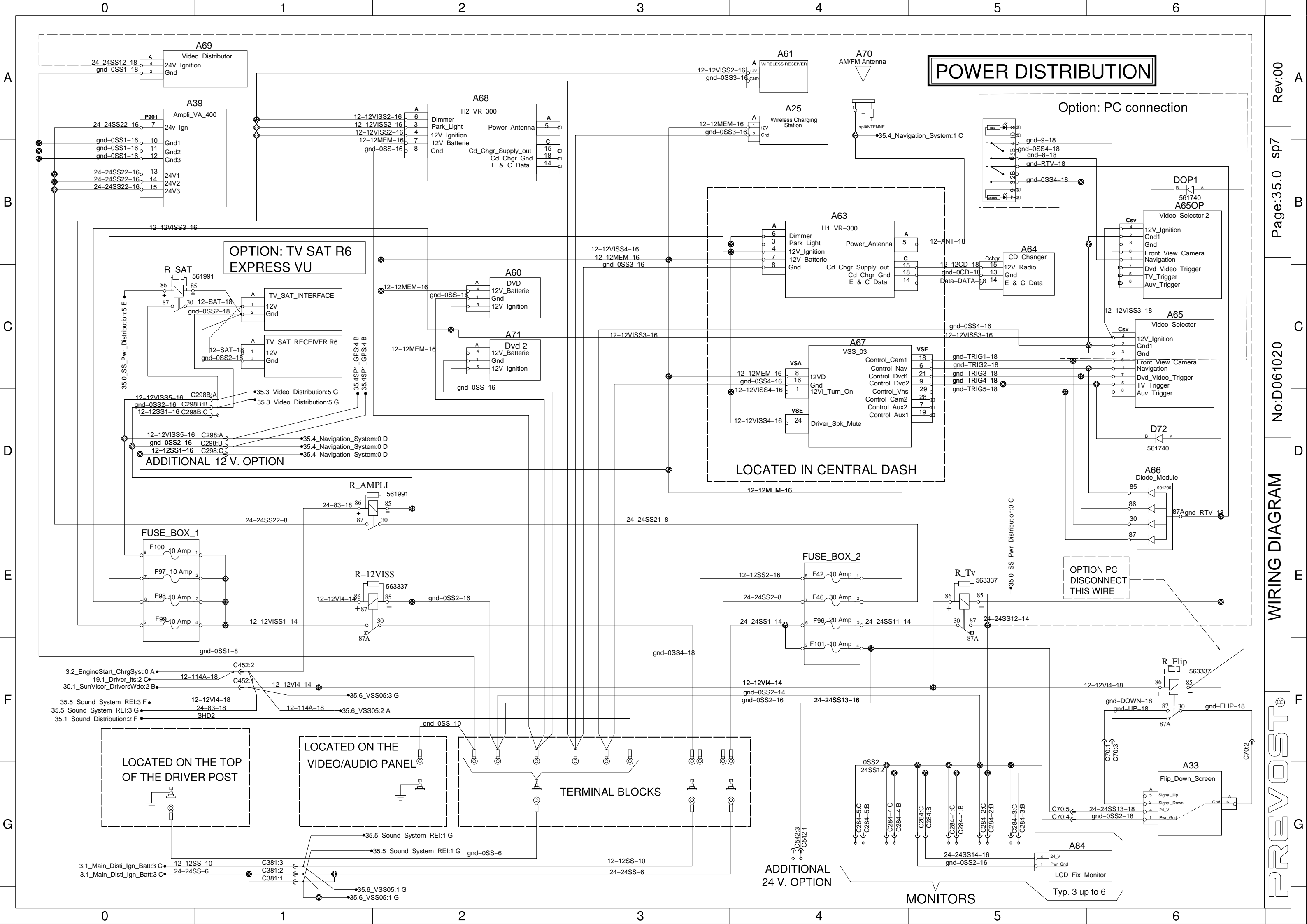
LOCATED ON THE VIDEO/AUDIO PANEL

TERMINAL BLOCKS

MONITORS

ADDITIONAL 24 V. OPTION





**POWER DISTRIBUTION**

**OPTION: TV SAT R6 EXPRESS VU**

**LOCATED IN CENTRAL DASH**

**ADDITIONAL 12 V. OPTION**

**LOCATED ON THE TOP OF THE DRIVER POST**

**LOCATED ON THE VIDEO/AUDIO PANEL**

**TERMINAL BLOCKS**

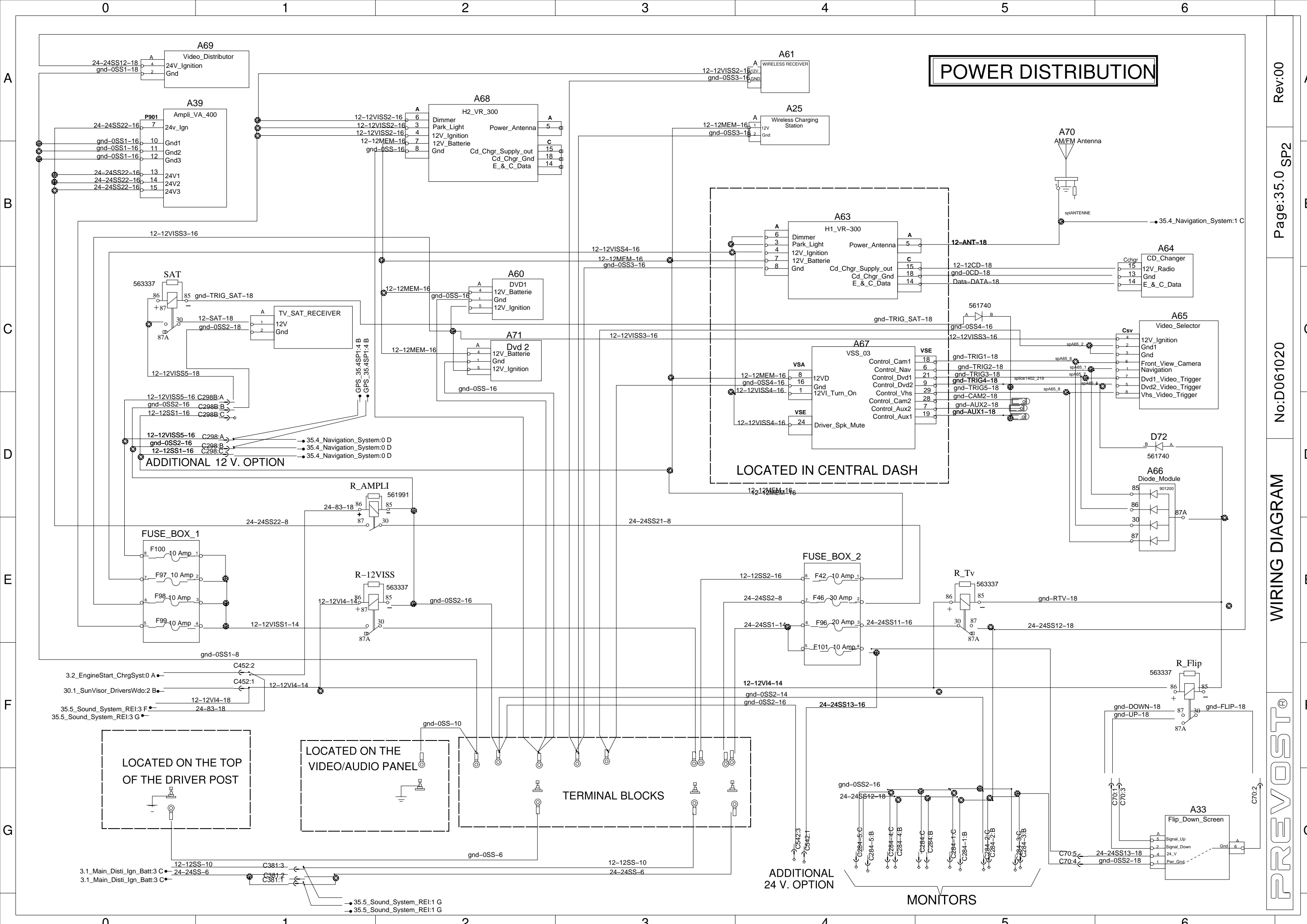
**MONITORS**

**ADDITIONAL 24 V. OPTION**

**OPTION PC DISCONNECT THIS WIRE**







**POWER DISTRIBUTION**

**LOCATED IN CENTRAL DASH**

**LOCATED ON THE TOP OF THE DRIVER POST**

**LOCATED ON THE VIDEO/AUDIO PANEL**

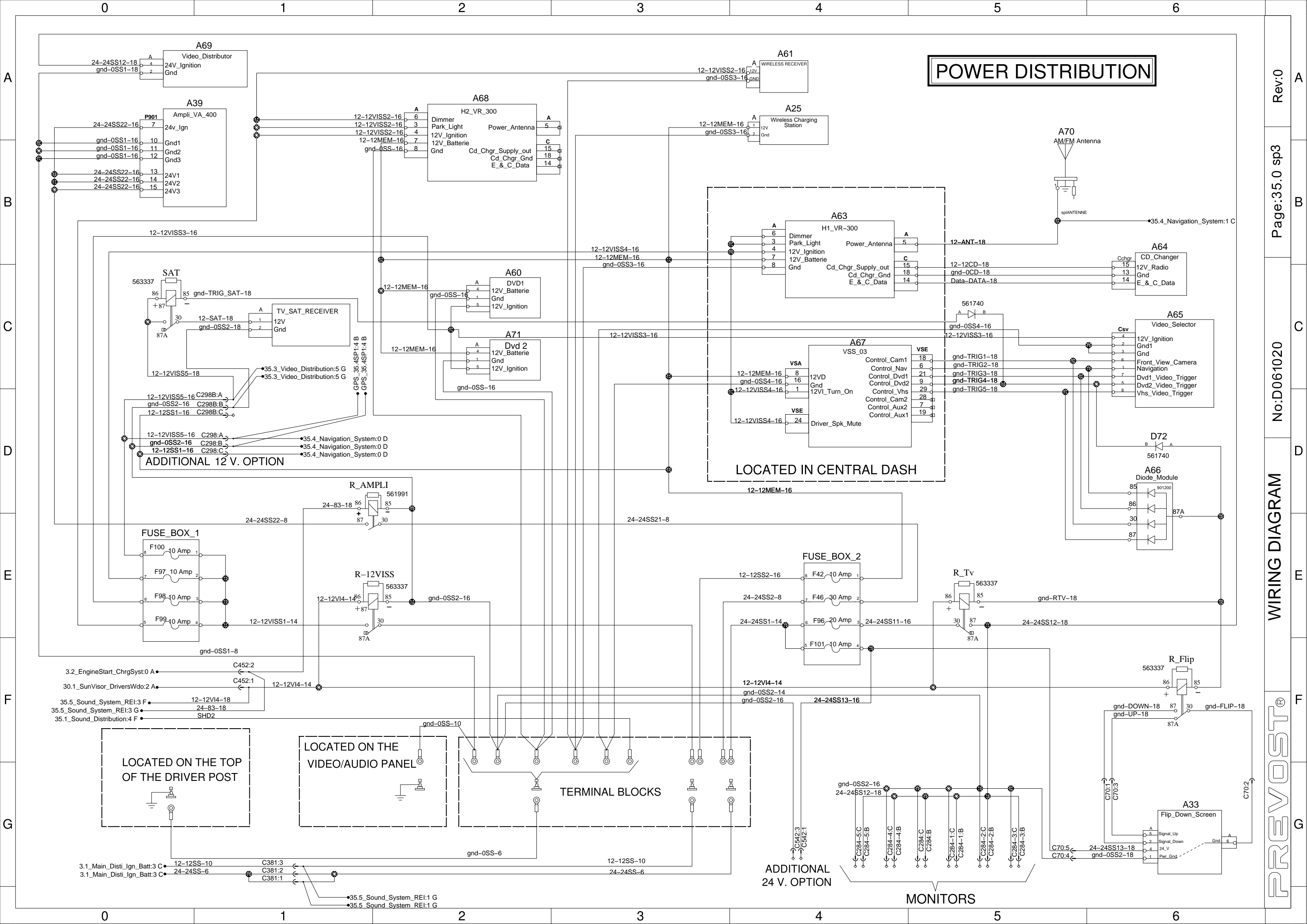
**TERMINAL BLOCKS**

**ADDITIONAL 24 V. OPTION**

**MONITORS**







**POWER DISTRIBUTION**

LOCATED IN CENTRAL DASH

ADDITIONAL 12 V. OPTION

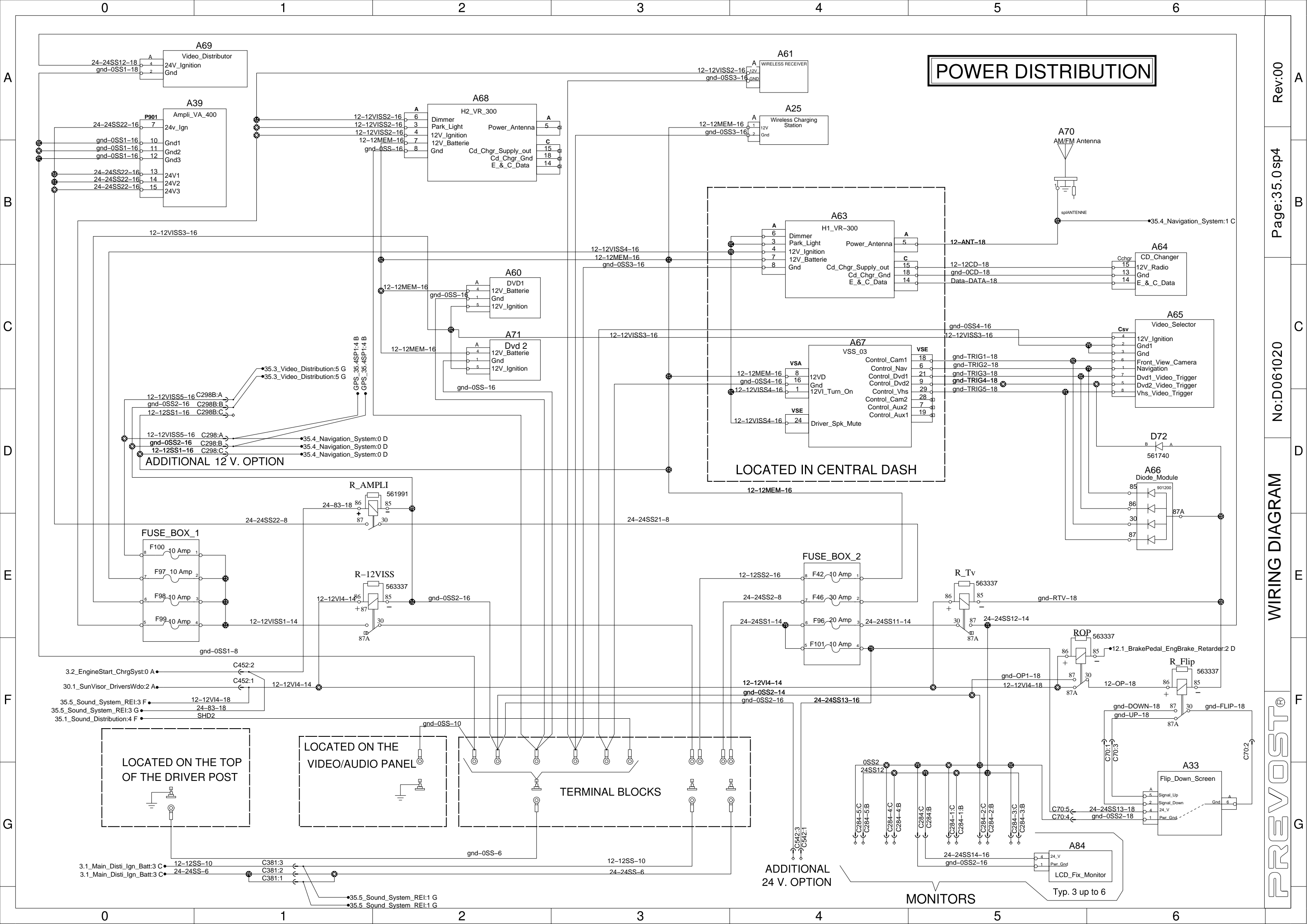
LOCATED ON THE VIDEO/AUDIO PANEL

LOCATED ON THE TOP OF THE DRIVER POST

TERMINAL BLOCKS

ADDITIONAL 24 V. OPTION

MONITORS



**POWER DISTRIBUTION**

**LOCATED IN CENTRAL DASH**

**ADDITIONAL 12 V. OPTION**

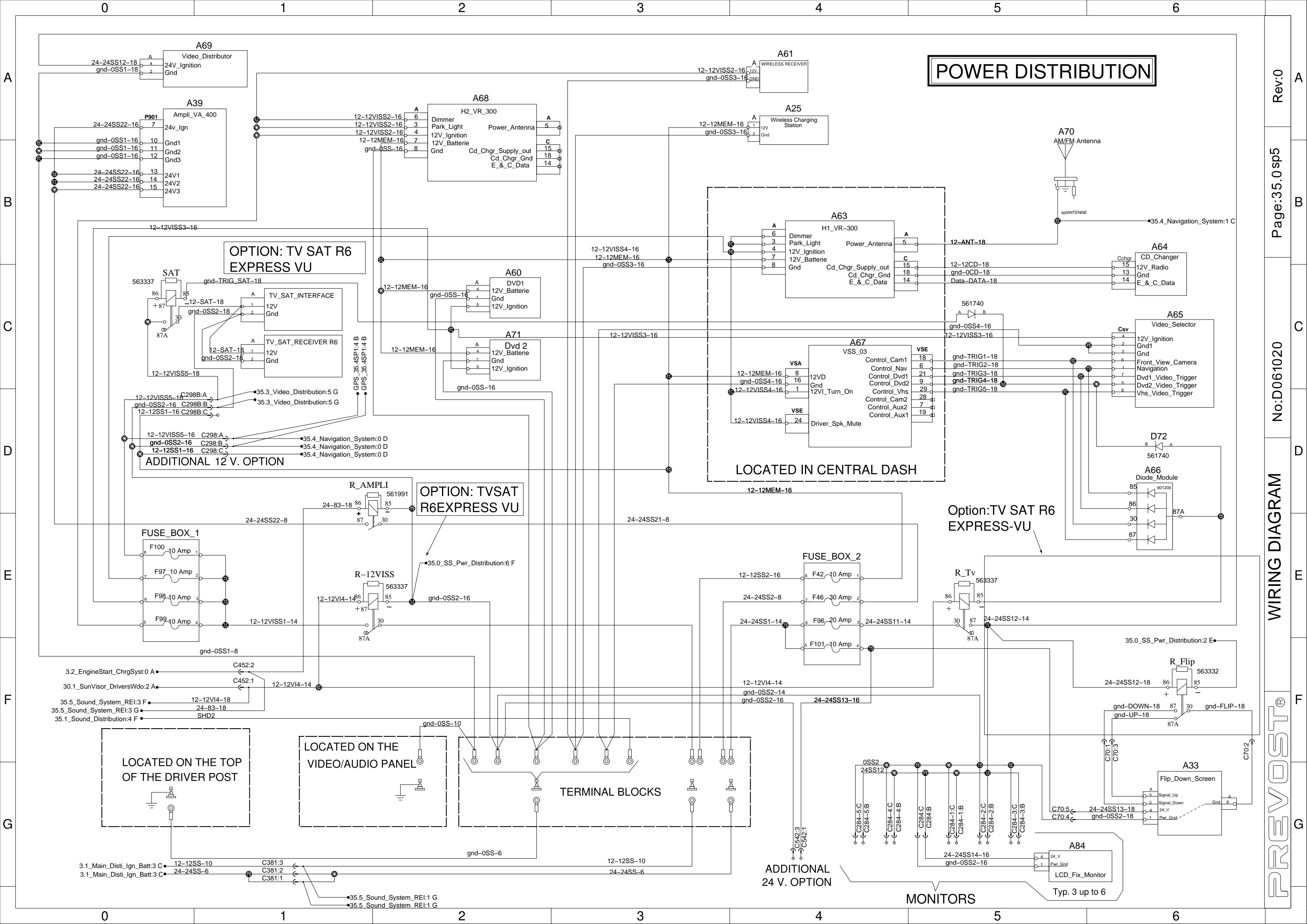
**LOCATED ON THE TOP OF THE DRIVER POST**

**LOCATED ON THE VIDEO/AUDIO PANEL**

**TERMINAL BLOCKS**

**MONITORS**

**ADDITIONAL 24 V. OPTION**



**POWER DISTRIBUTION**

LOCATED IN CENTRAL DASH

Option:TV SAT R6 EXPRESS-VU

ADDITIONAL 12 V. OPTION

OPTION: TV SAT R6 EXPRESS VU

OPTION: TVSAT R6EXPRESS VU

LOCATED ON THE TOP OF THE DRIVER POST

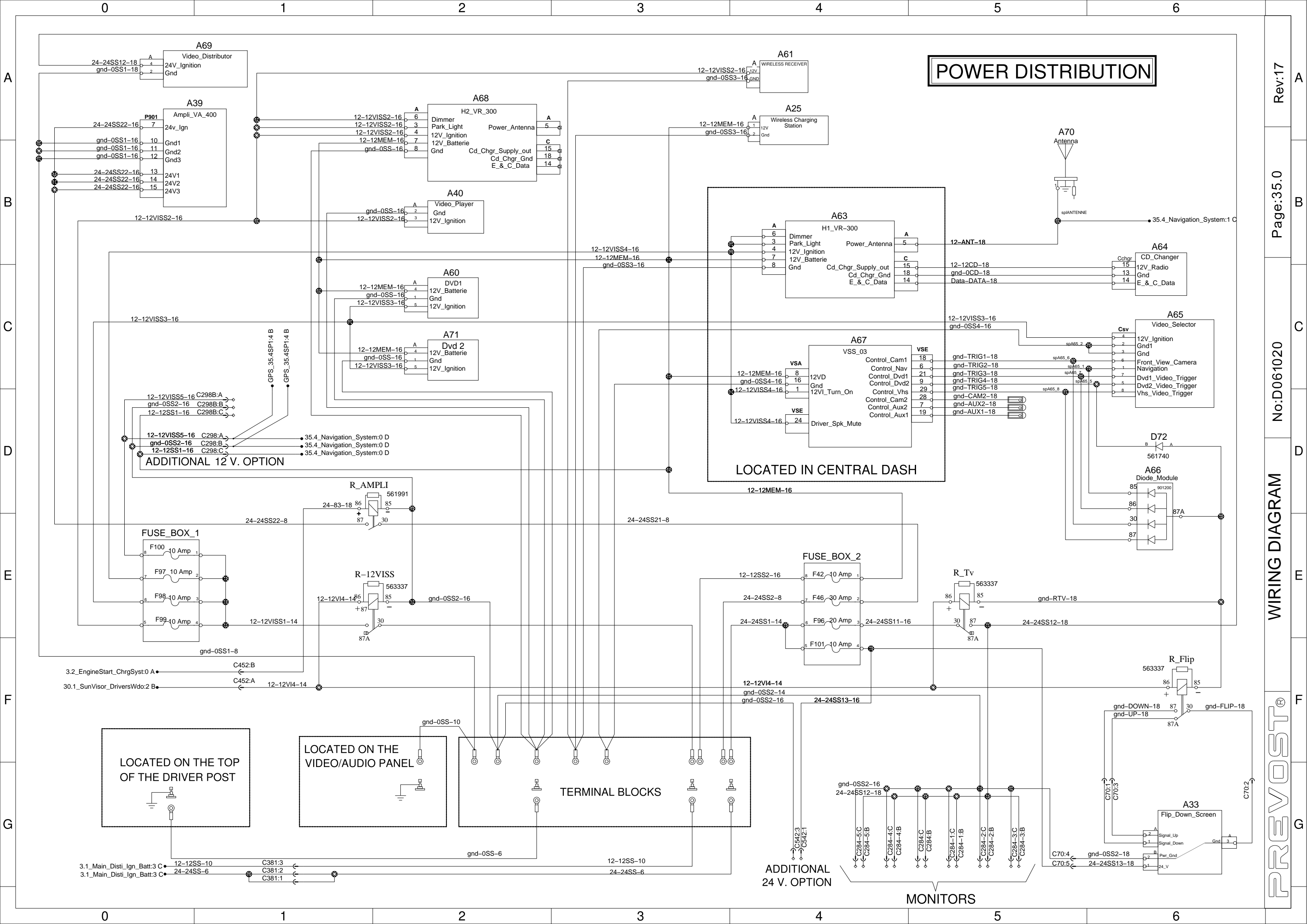
LOCATED ON THE VIDEO/AUDIO PANEL

TERMINAL BLOCKS

ADDITIONAL 24 V. OPTION

MONITORS





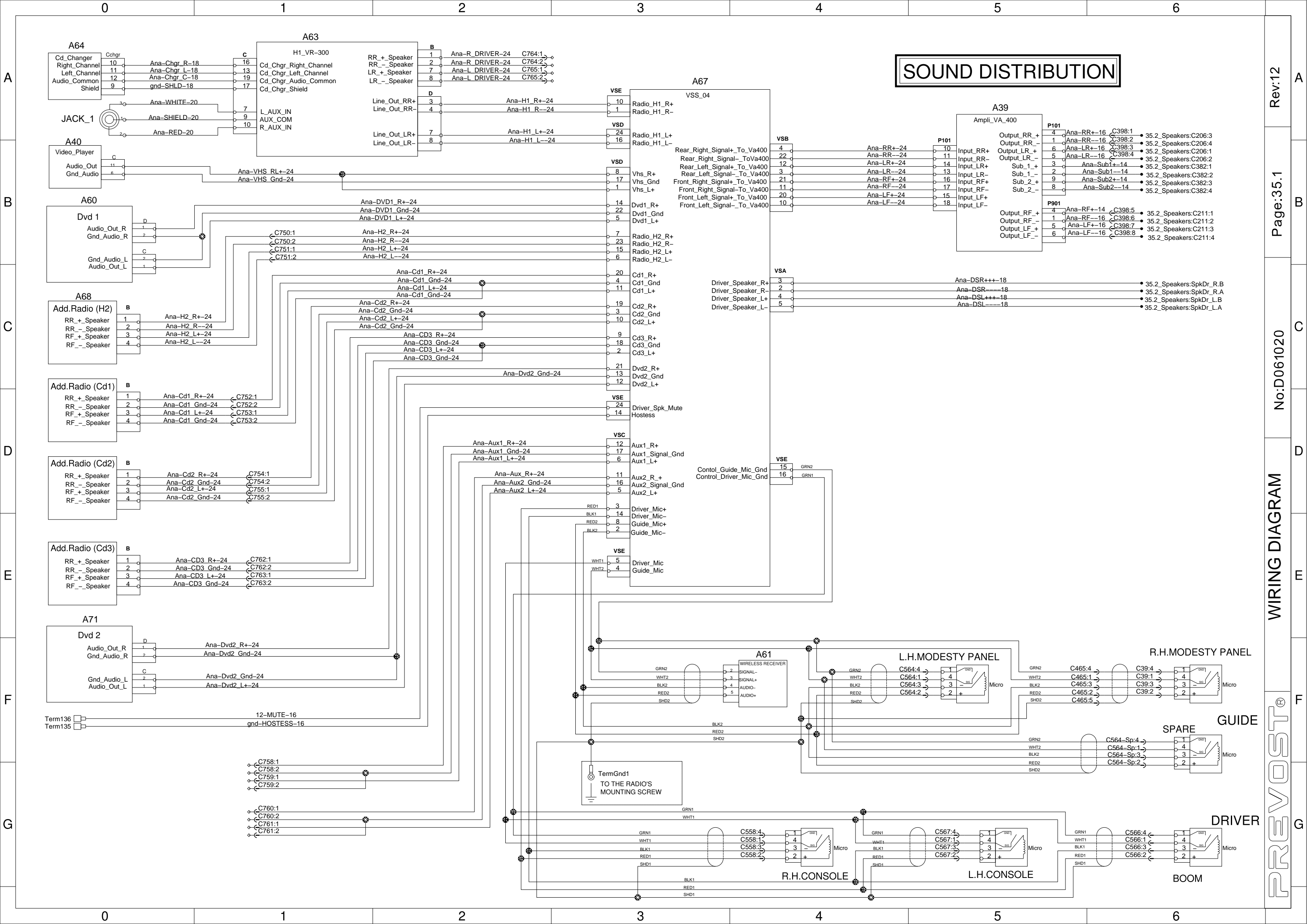


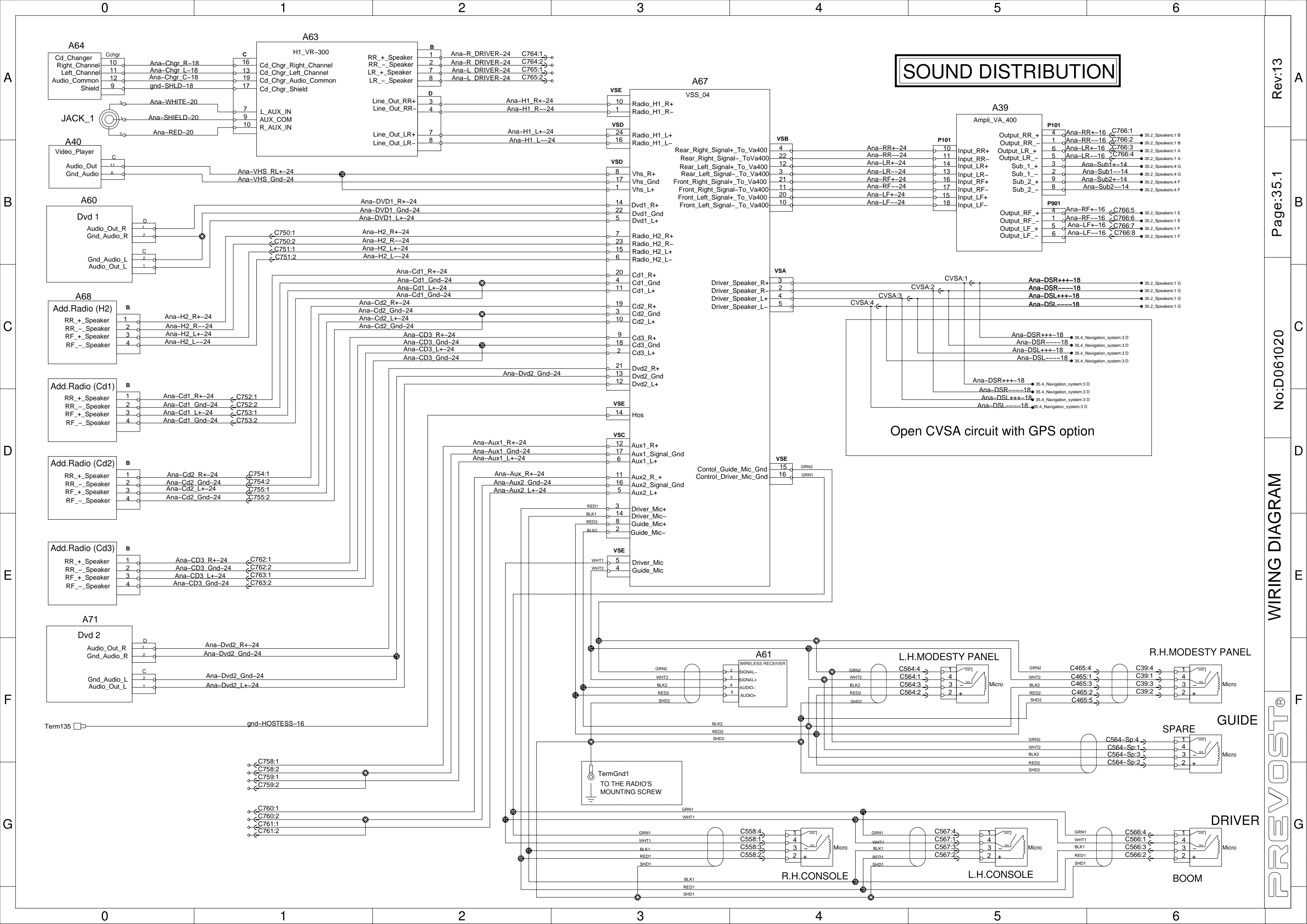






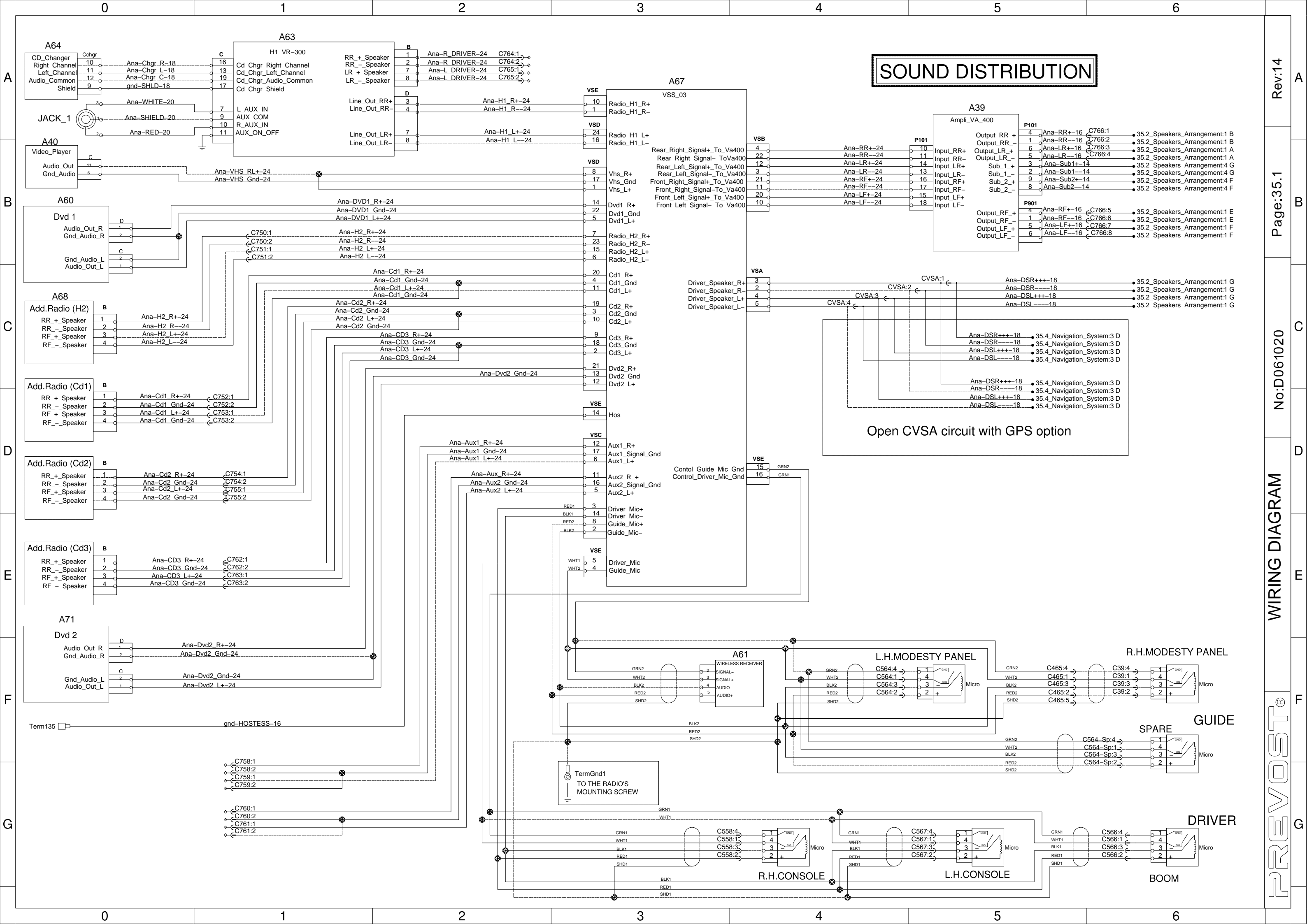






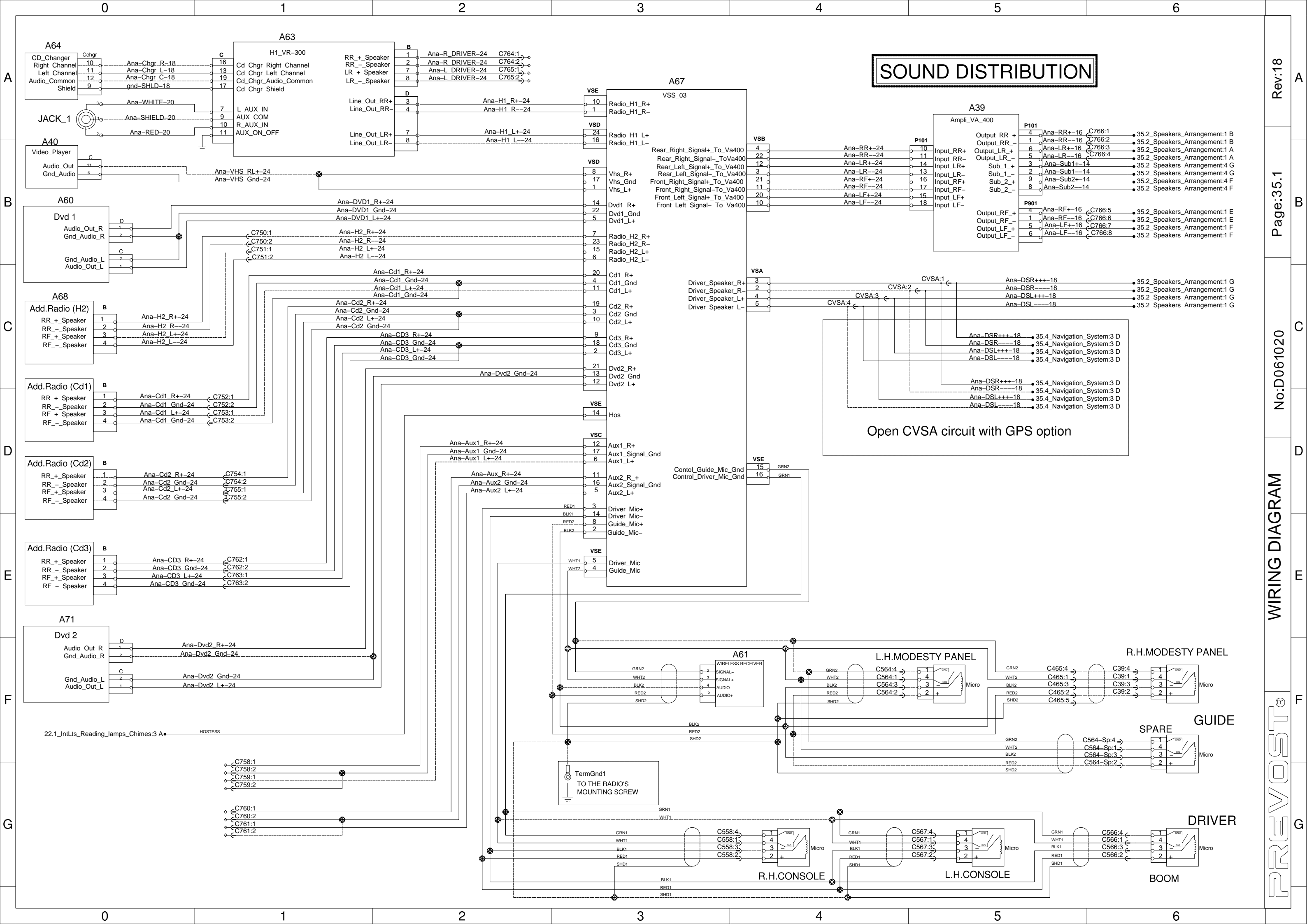
**SOUND DISTRIBUTION**

Open CVSA circuit with GPS option



# SOUND DISTRIBUTION

Open CVSA circuit with GPS option



# SOUND DISTRIBUTION

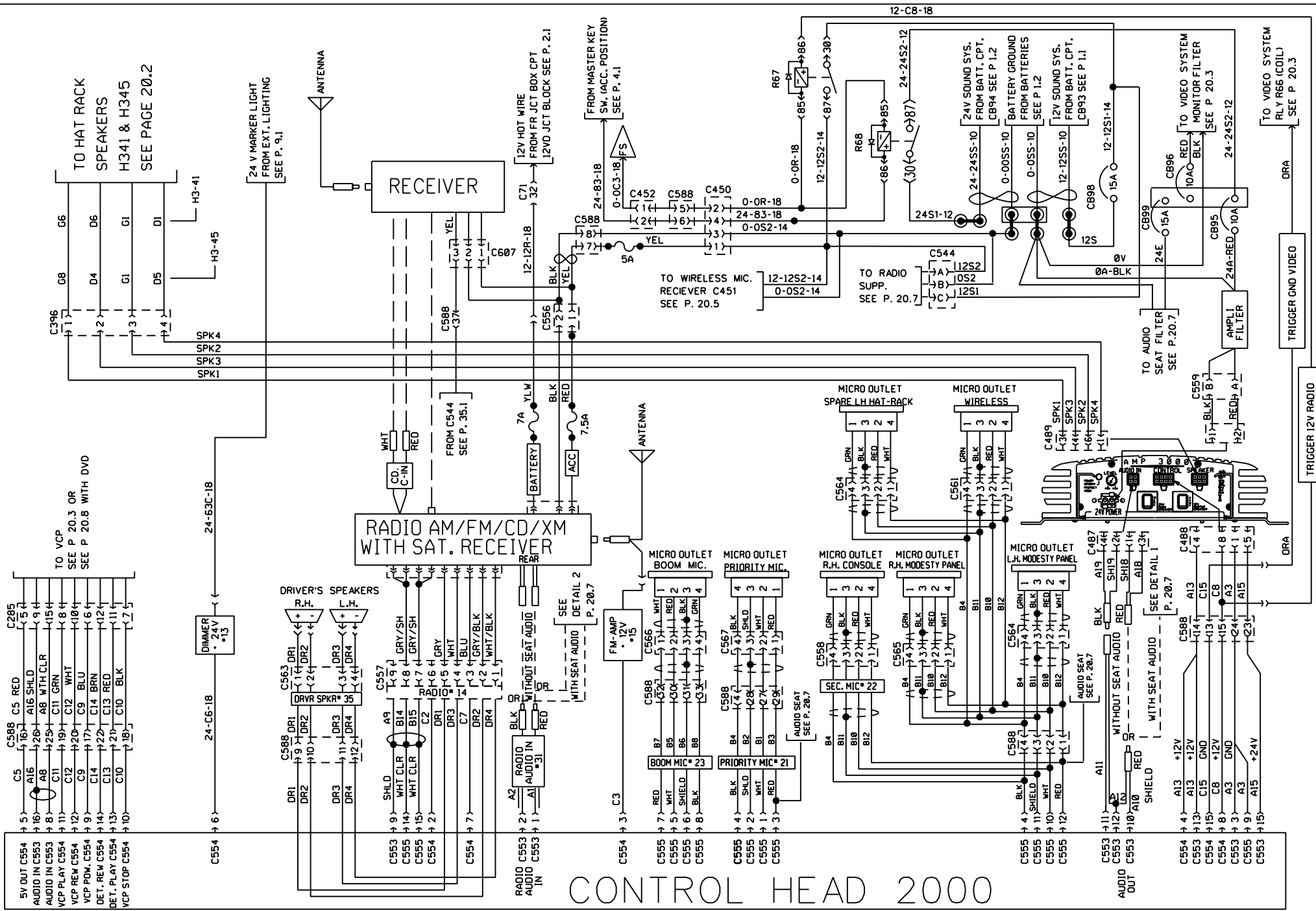
Open CVSA circuit with GPS option









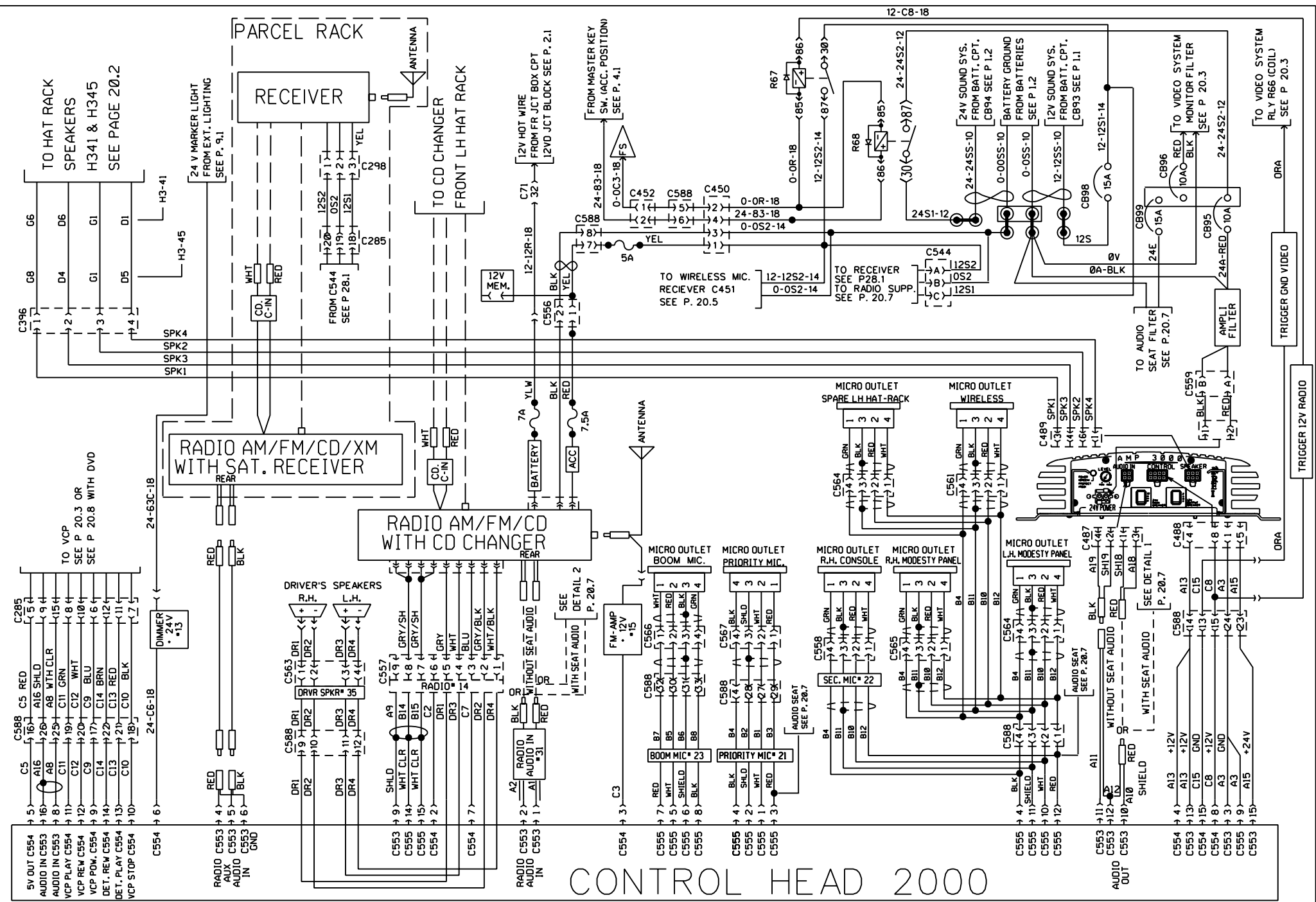


CONTROL HEAD 2000

SOUND SYSTEM H3-45

RADIO XM WITH SATELLITE RECEIVER

vd061020n35\_1SP2r06.dwg 2005-11-11 14:33:58



# CONTROL HEAD 2000

SOUND SYSTEM H3-45 RADIO XM CD CHANGER & RADIO XM WITH SATELLITE RECEIVER

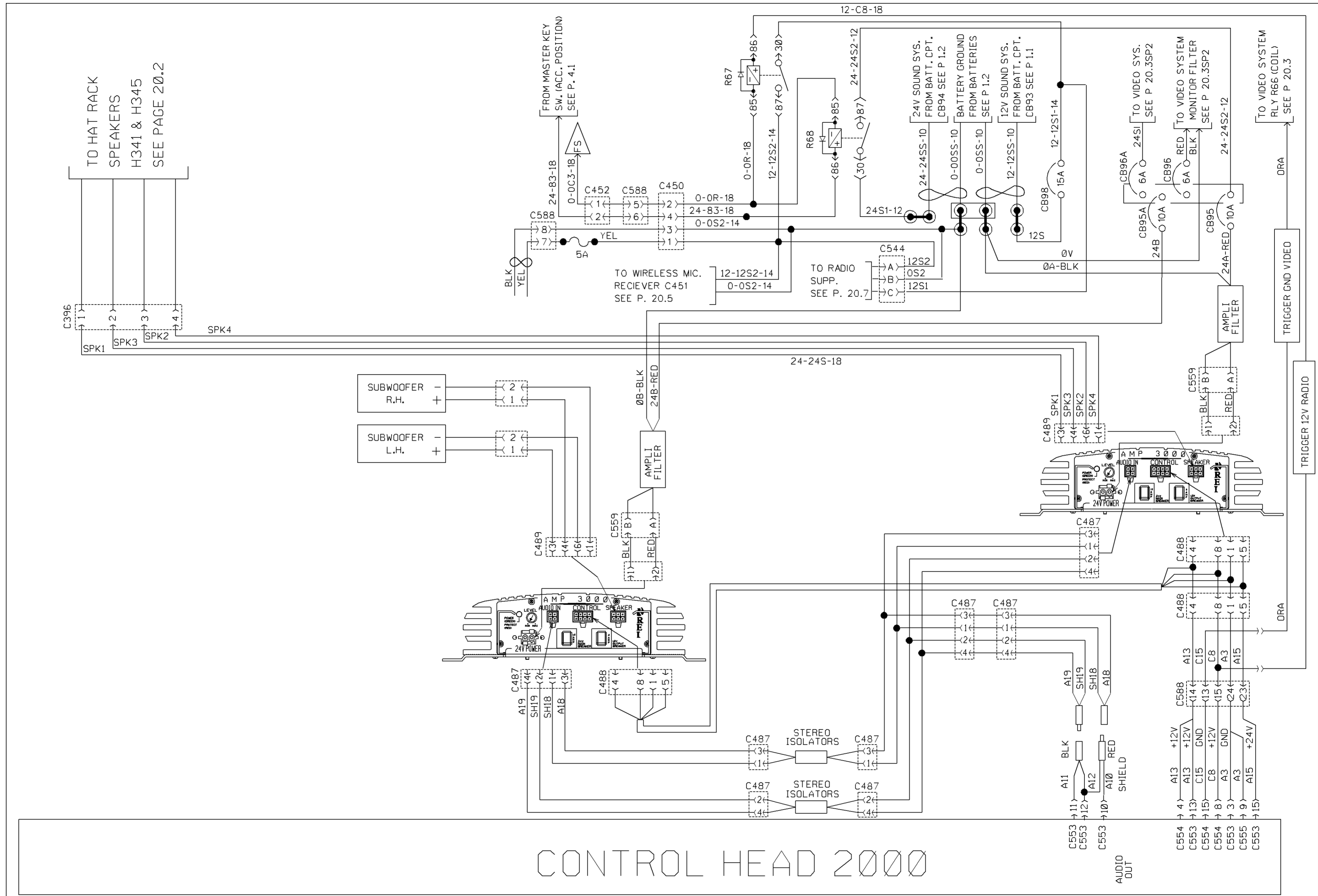
**PREVOST**

**WIRING DIAGRAM**

NO: **D061020**

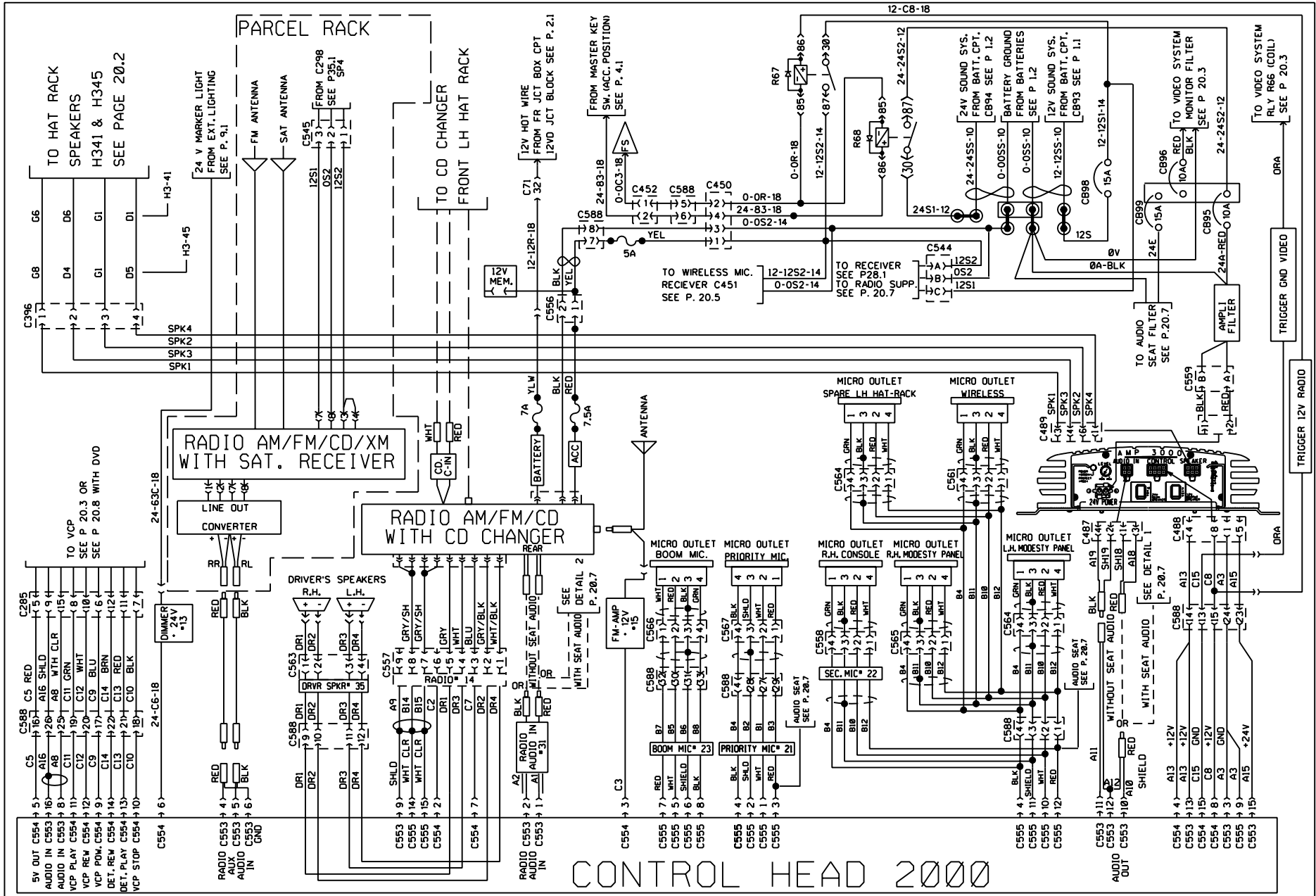
PAGE: **35.1SP3**

REVISION  
06



CONTROL HEAD 2000

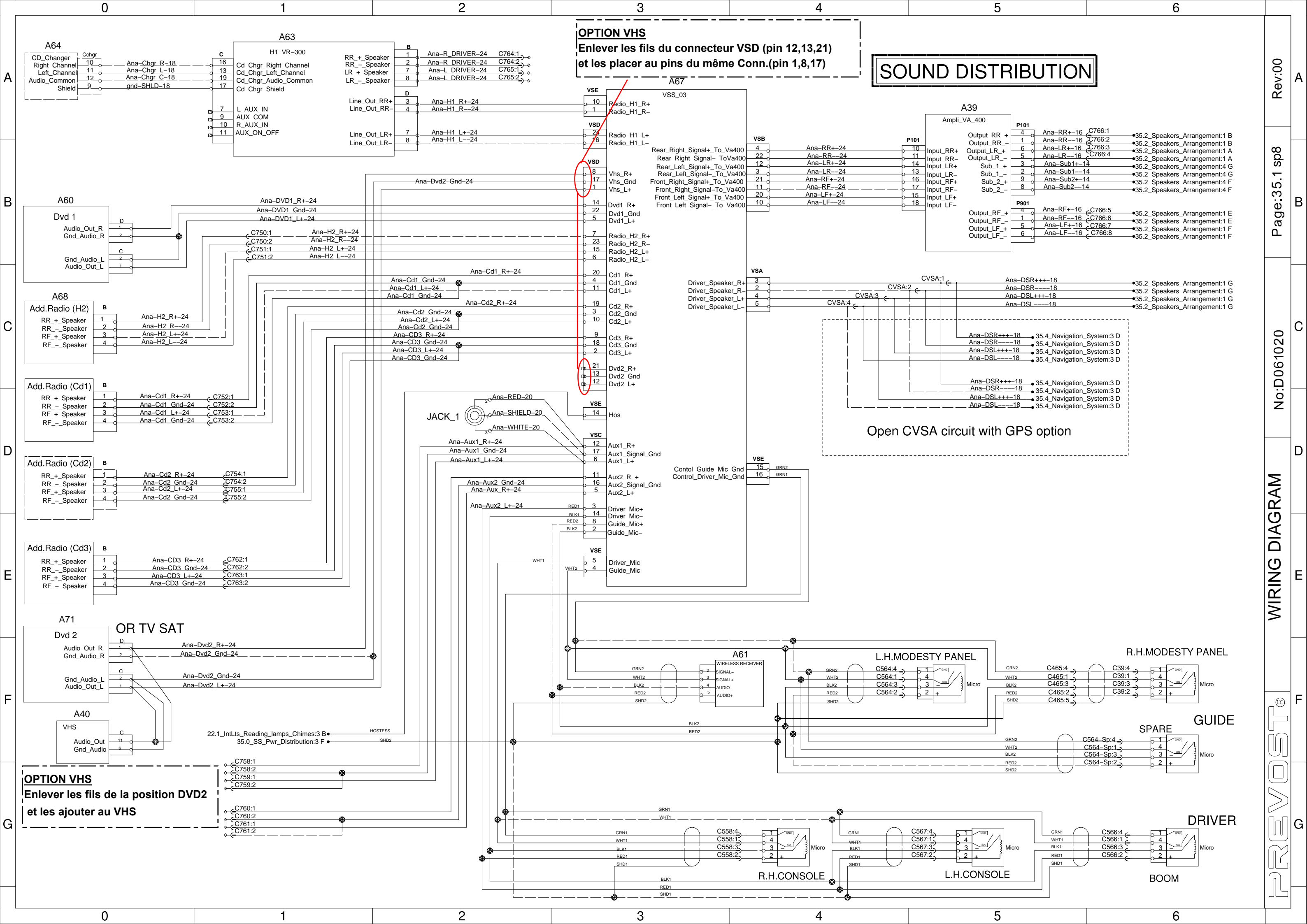
SOUND SYSTEM H3-45 W/SUBWOOFER W/O SEAT AUDIO W/O CROSSOVER



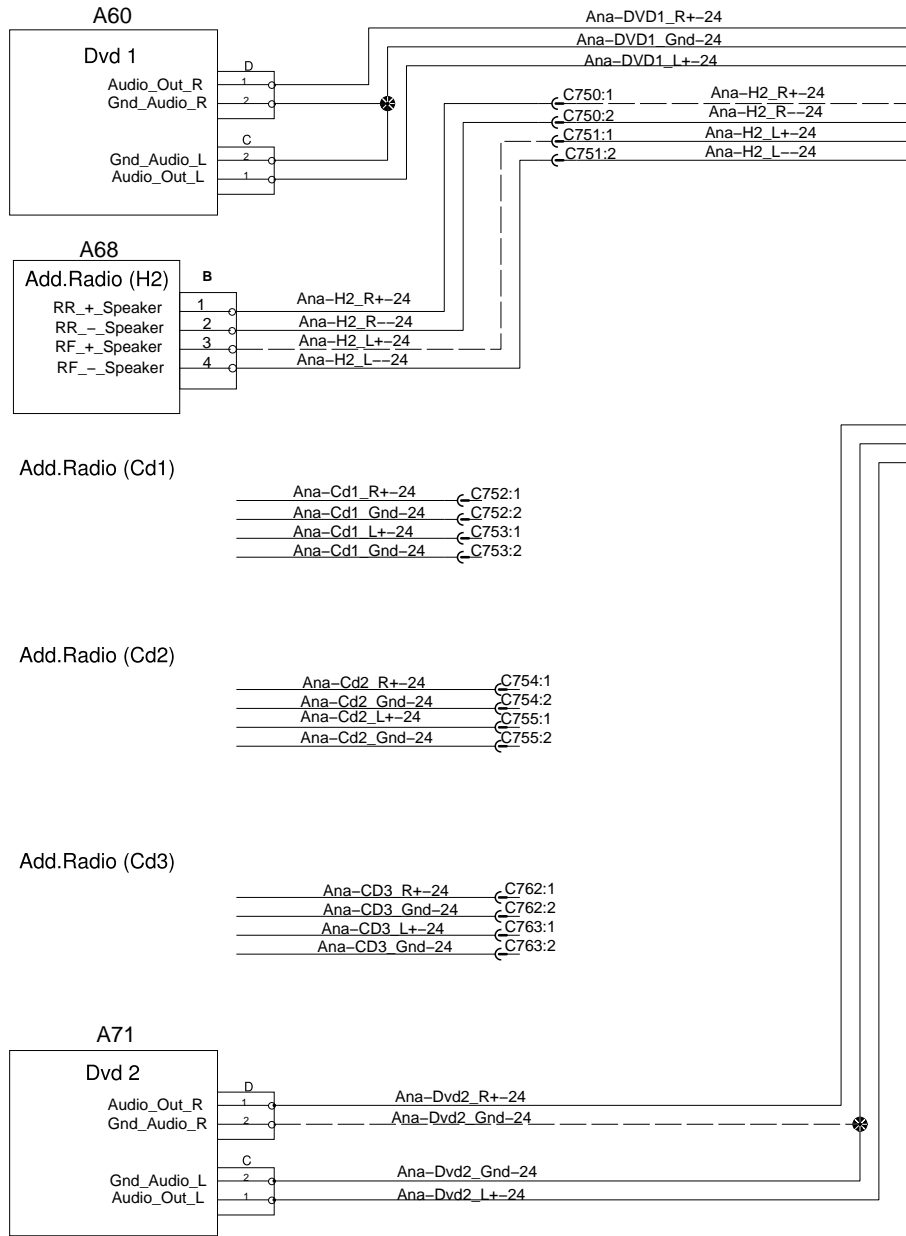
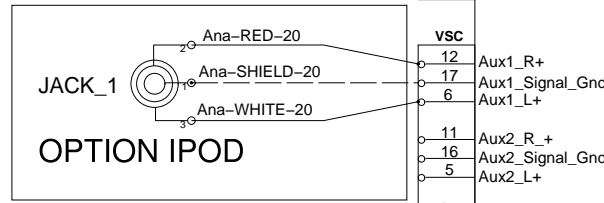
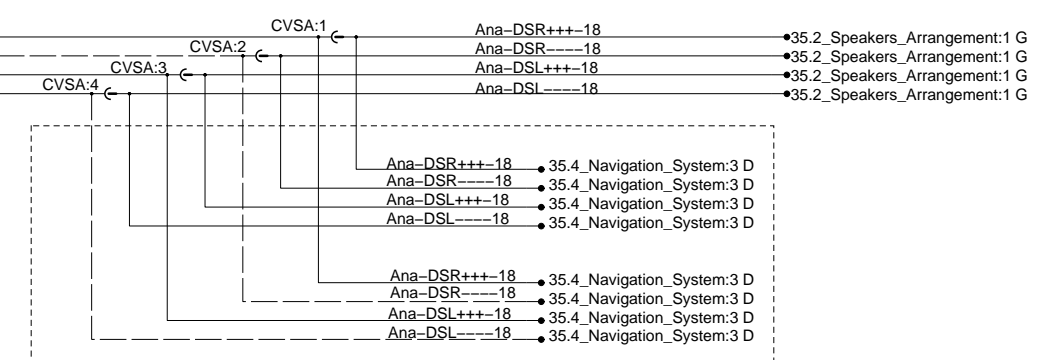
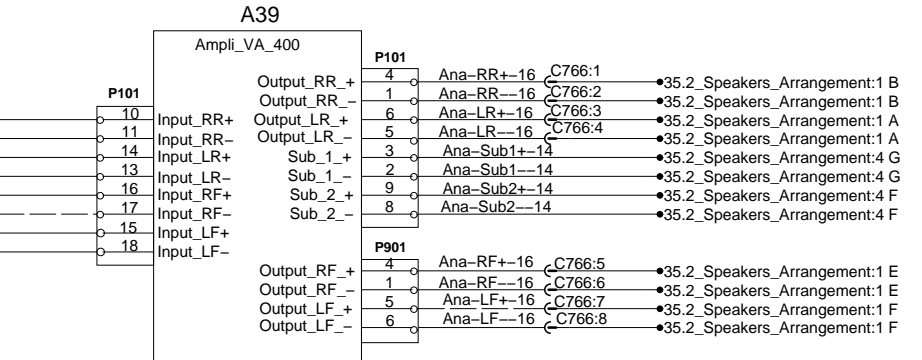
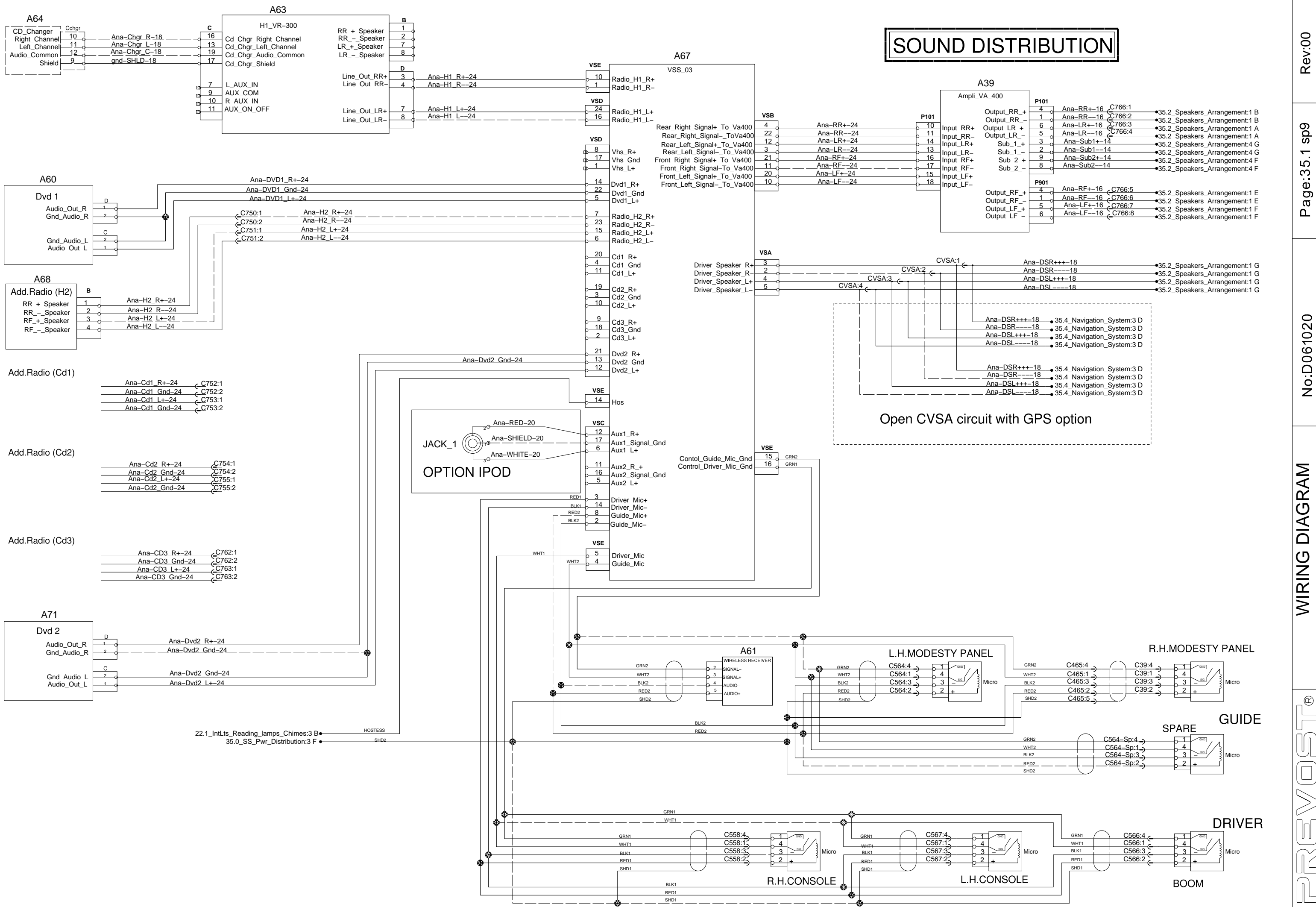
# CONTROL HEAD 2000

SOUND SYSTEM H3-45 RADIO XM CD CHANGER & RADIO XM WITH SATELLITE RECEIVER





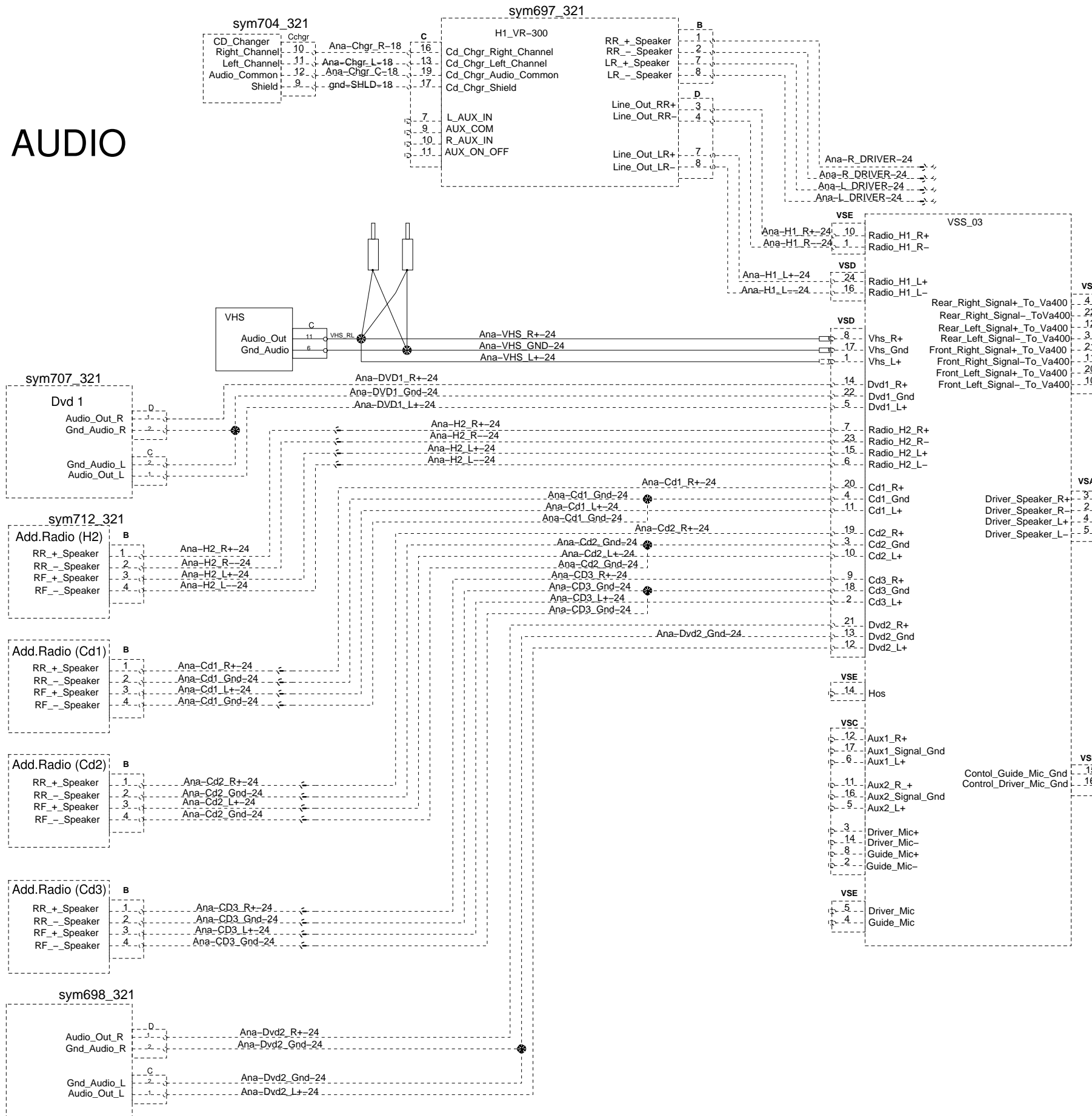
# SOUND DISTRIBUTION



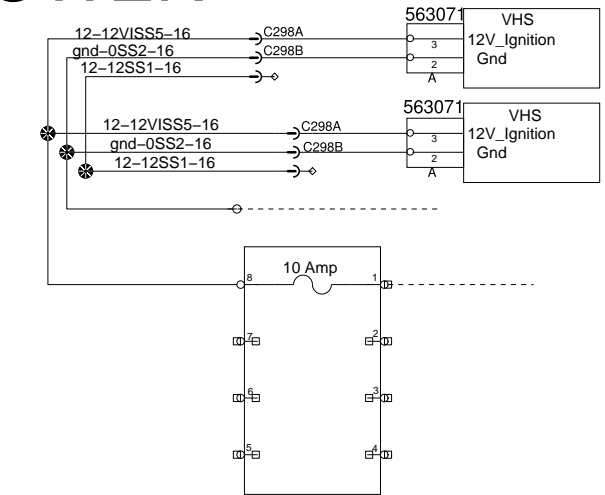
22.1\_IntLts\_Reading\_Lamps\_Chimes:3 B  
 35.0\_SS\_Pwr\_Distribution:3 F

# EMBRANCHMENT OF DVD1 DVD2, VHS1 AUDIO VIDEO POWER RED-ARROW

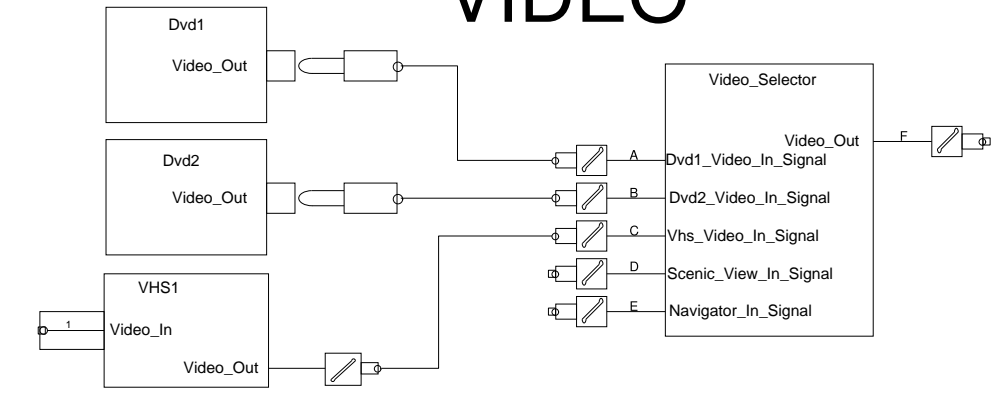
## AUDIO



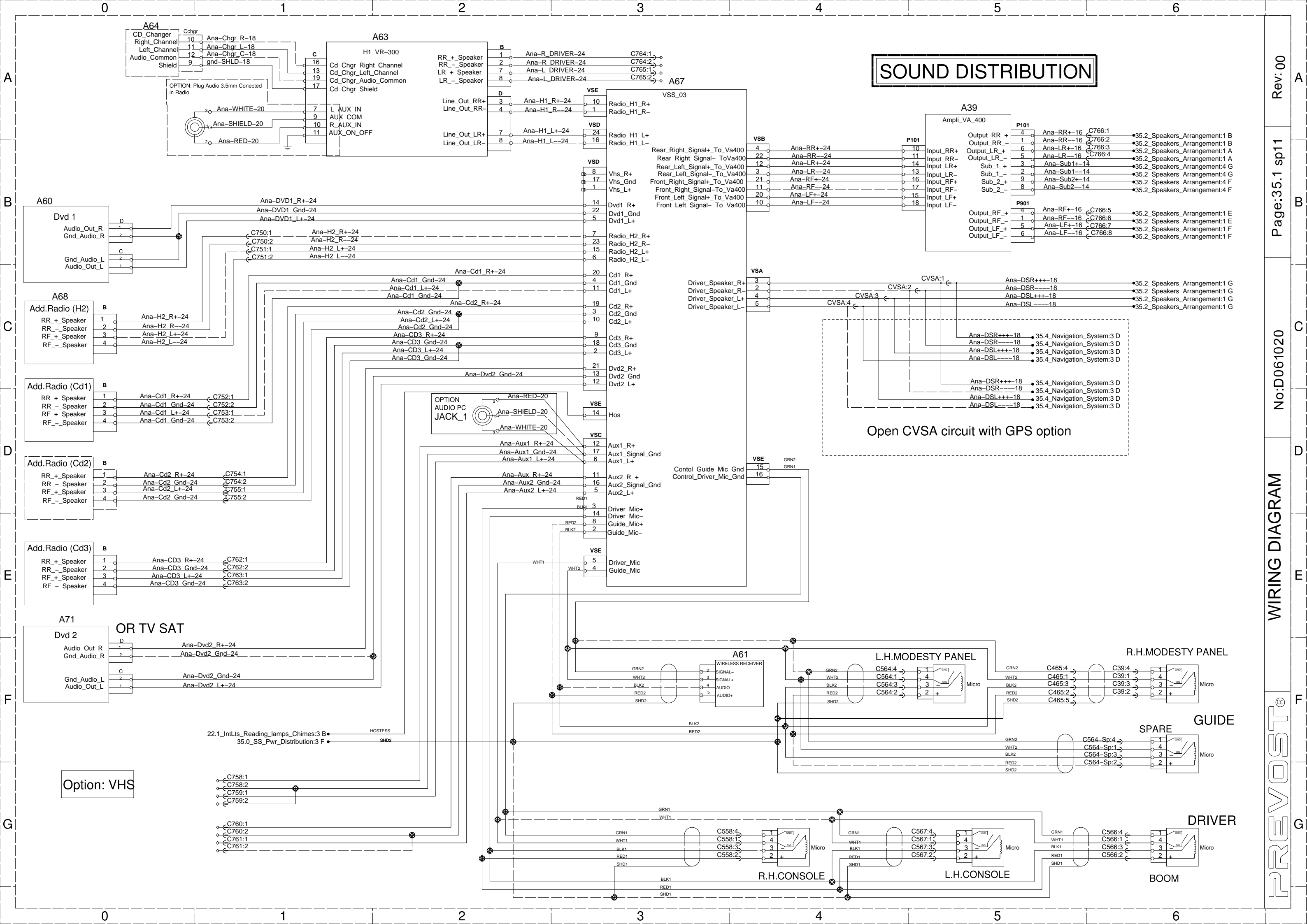
## POWER



## VIDEO





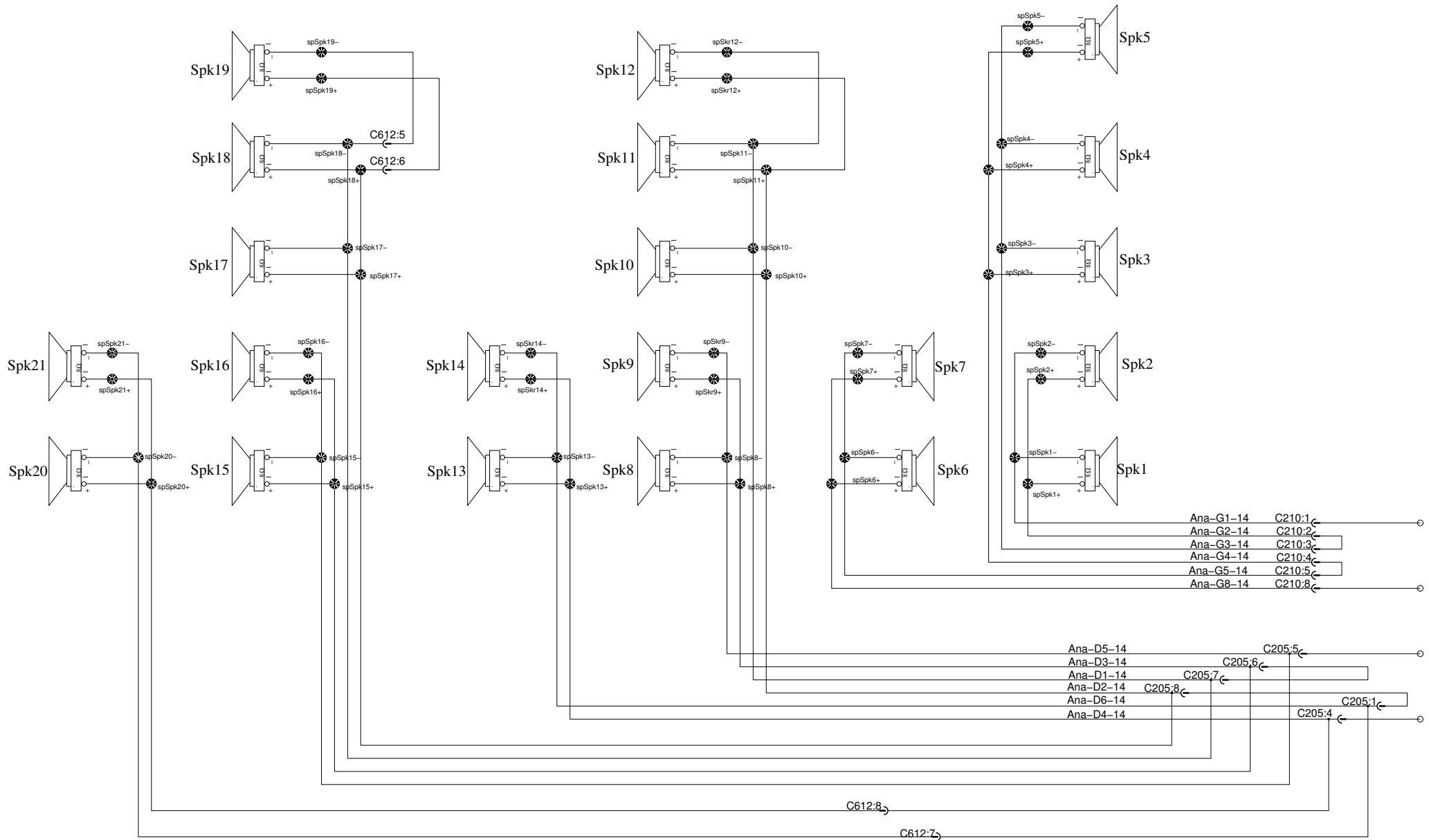


### Speakers H3-45

#### RH WCL Ricon

#### RH Standard

#### LH Standard



0

1

2

3

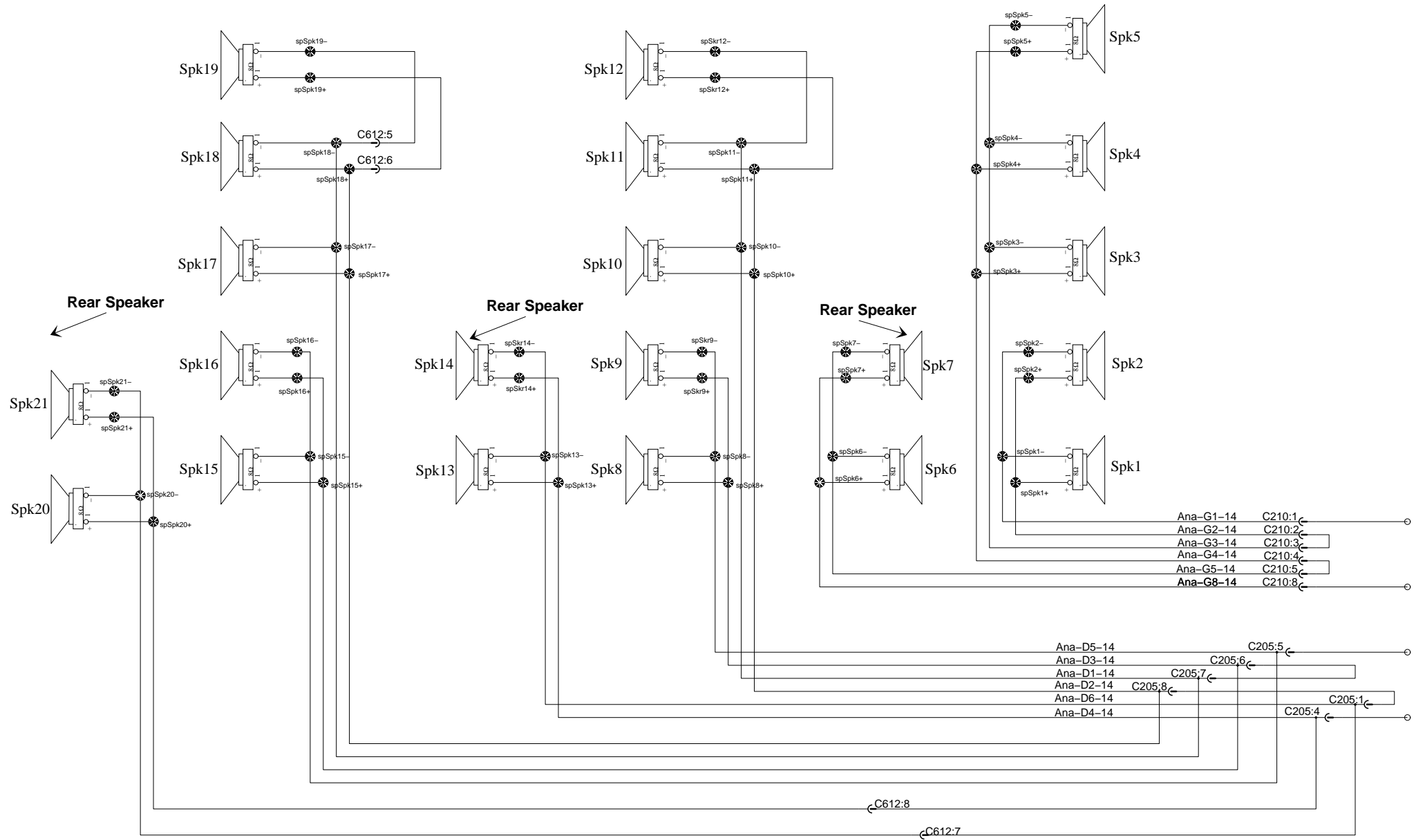
4

### Speakers H3-45

#### RH WCL Ricon

#### RH Standard

#### LH Standard



0

1

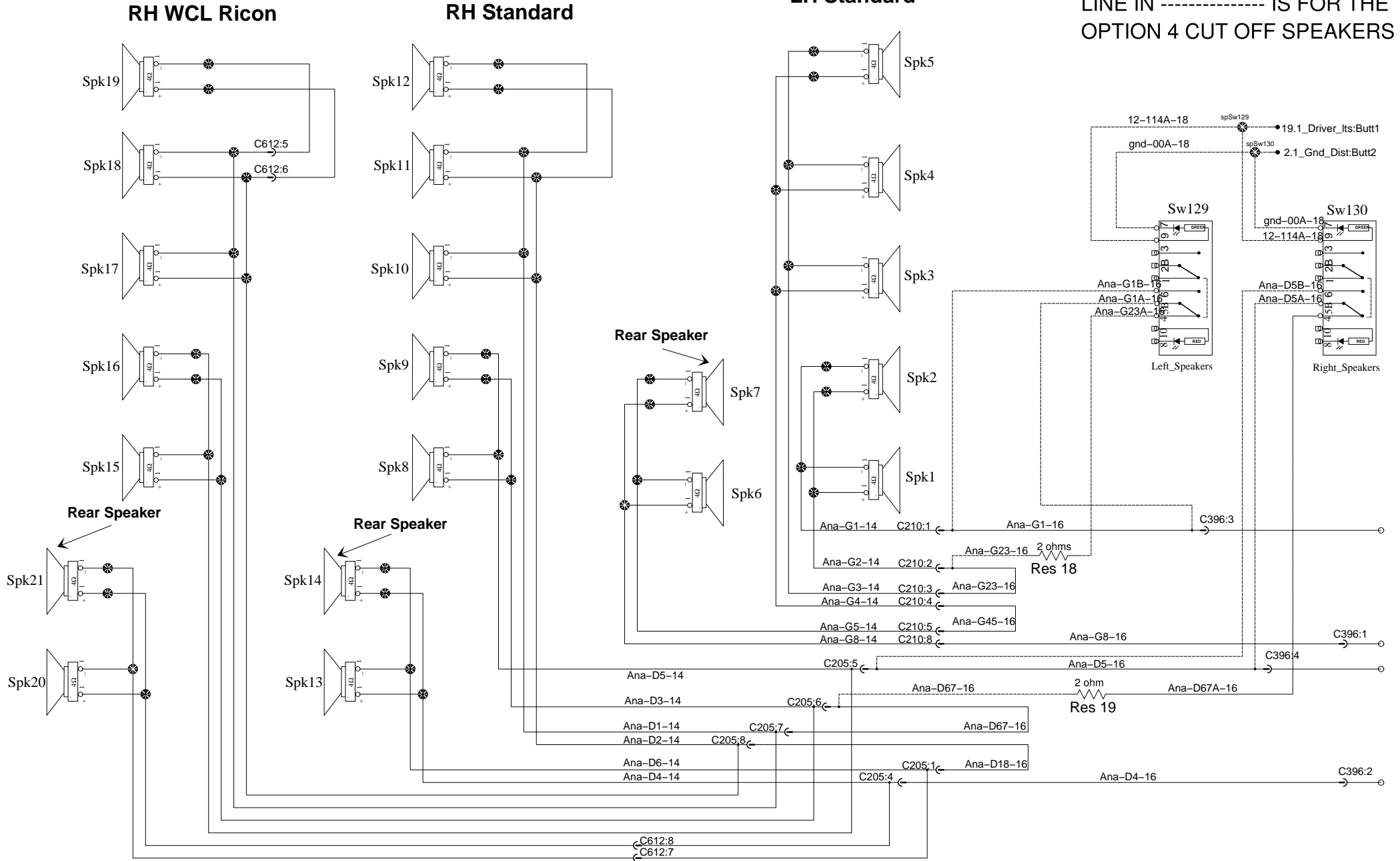
2

3

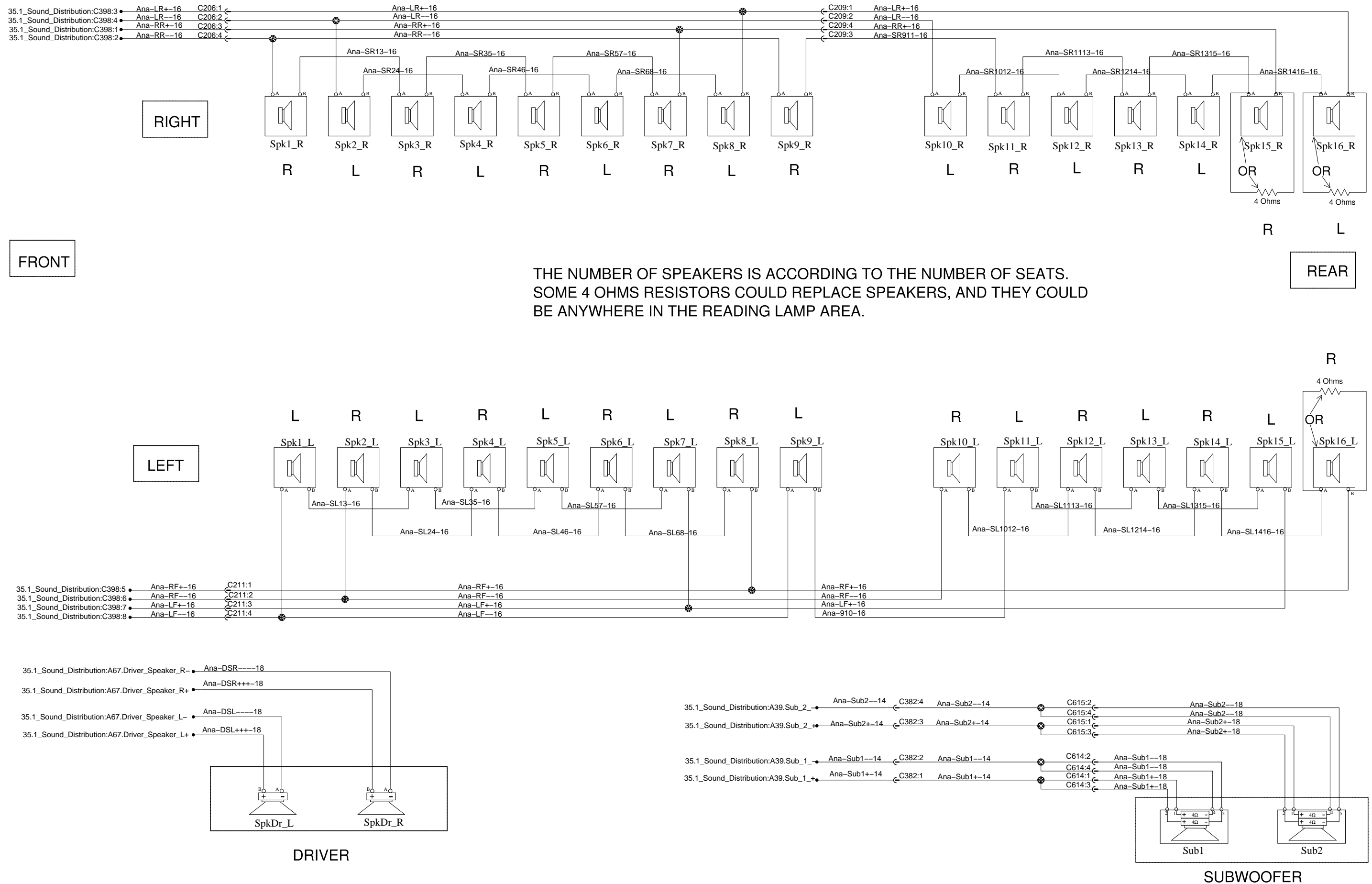
4

# Speakers H3-45

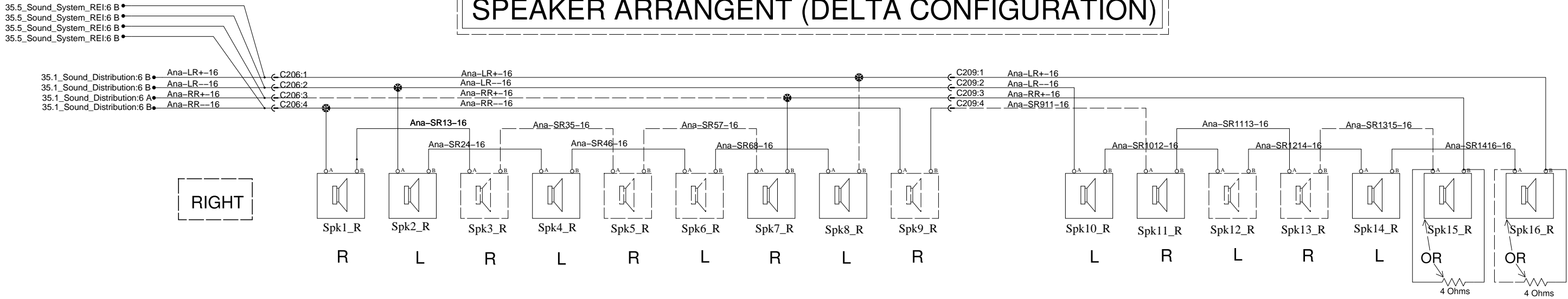
LINE IN ----- IS FOR THE OPTION 4 CUT OFF SPEAKERS



# SPEAKER ARRANGENT (DELTA CONFIGURATION)



# SPEAKER ARRANGENT (DELTA CONFIGURATION)



RIGHT

R

L

R

L

R

L

R

L

R

L

R

L

R

L

R

L

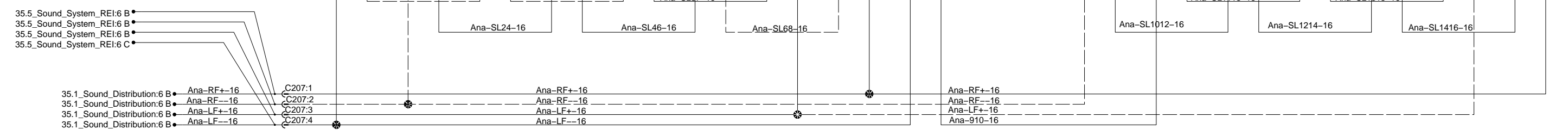
R

L

REAR

THE NUMBER OF SPEAKERS IS ACCORDING TO THE NUMBER OF SEATS.  
SOME 4 OHMS RESISTORS COULD REPLACE SPEAKERS, AND THEY COULD BE ANYWHERE IN THE READING LAMP AREA.

FRONT



LEFT

L

R

L

R

L

R

L

R

L

R

L

R

L

R

L

R

OR

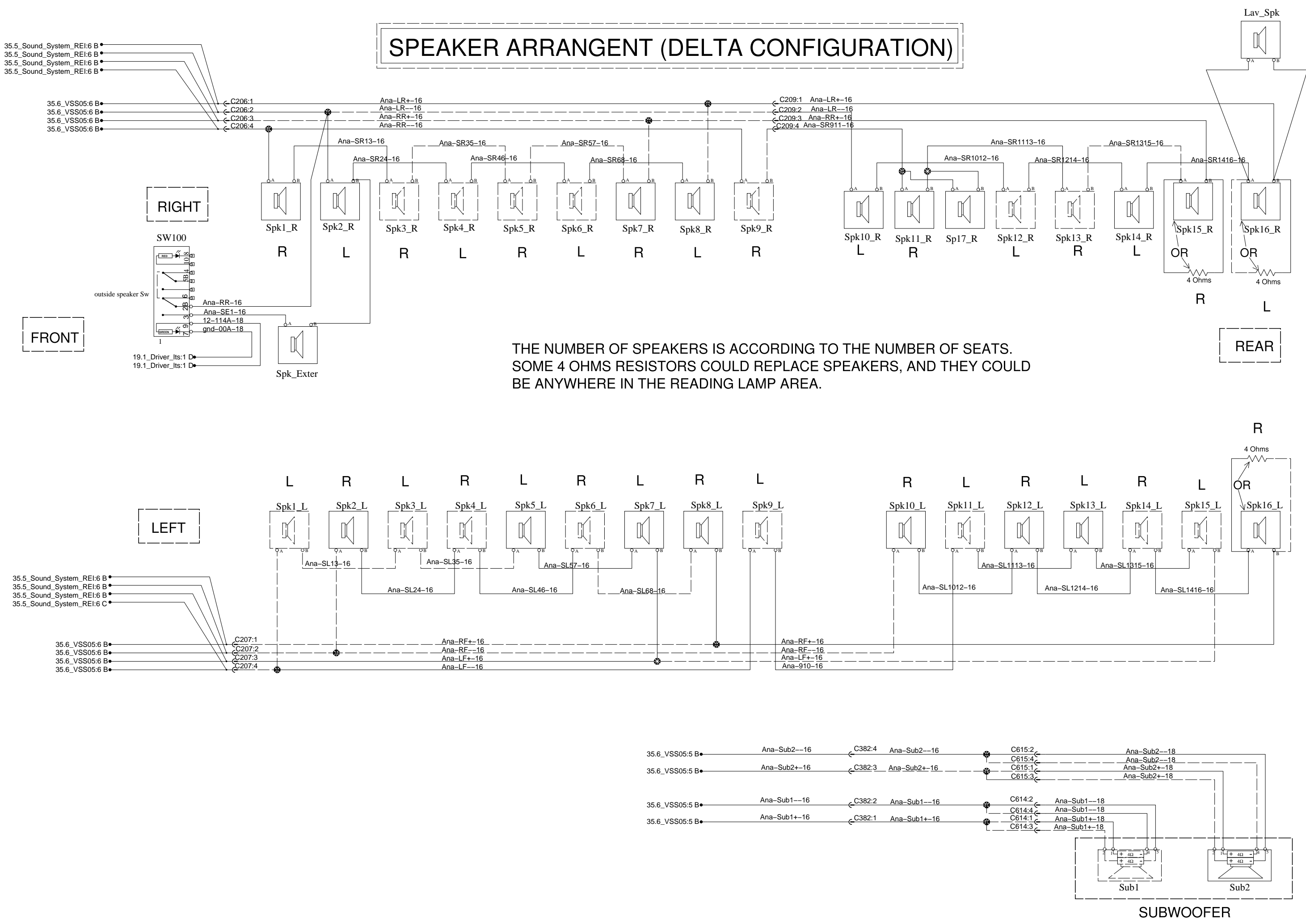
4 Ohms



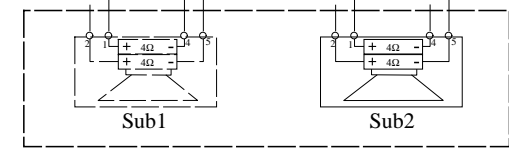
DRIVER'S SPEAKERS

SUBWOOFER

# SPEAKER ARRANGENT (DELTA CONFIGURATION)



THE NUMBER OF SPEAKERS IS ACCORDING TO THE NUMBER OF SEATS.  
SOME 4 OHMS RESISTORS COULD REPLACE SPEAKERS, AND THEY COULD  
BE ANYWHERE IN THE READING LAMP AREA.



**SUBWOOFER**

0

1

2

3

4

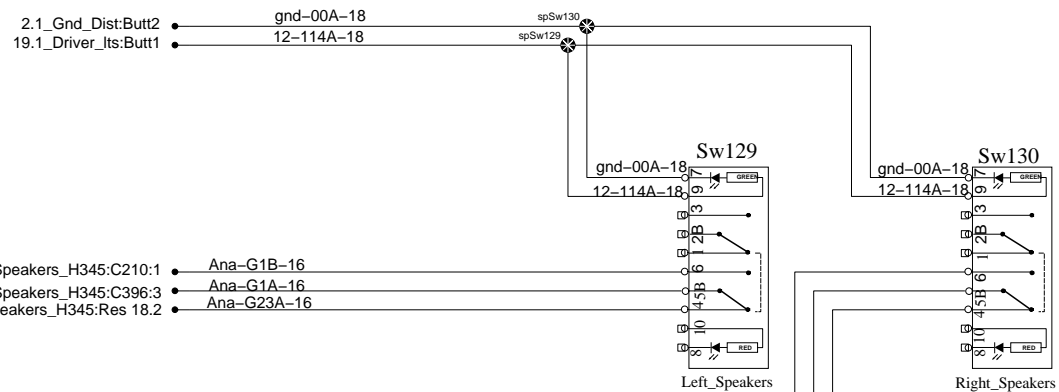
A

A

### 4 Cut Off Speakers Option

B

B



C

C

D

D

E

E

0

1

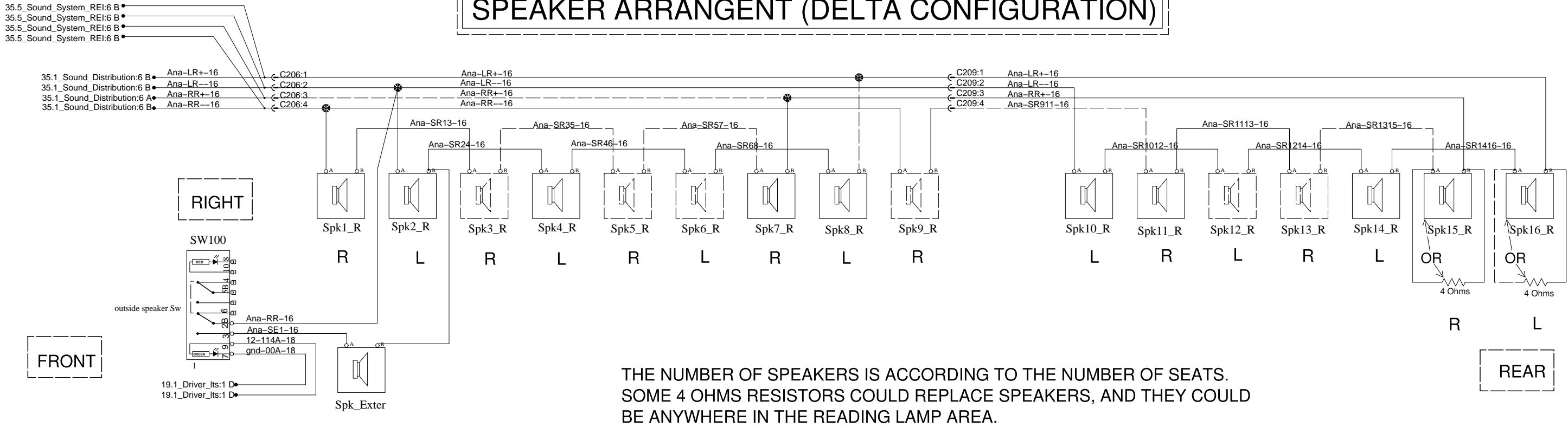
2

3

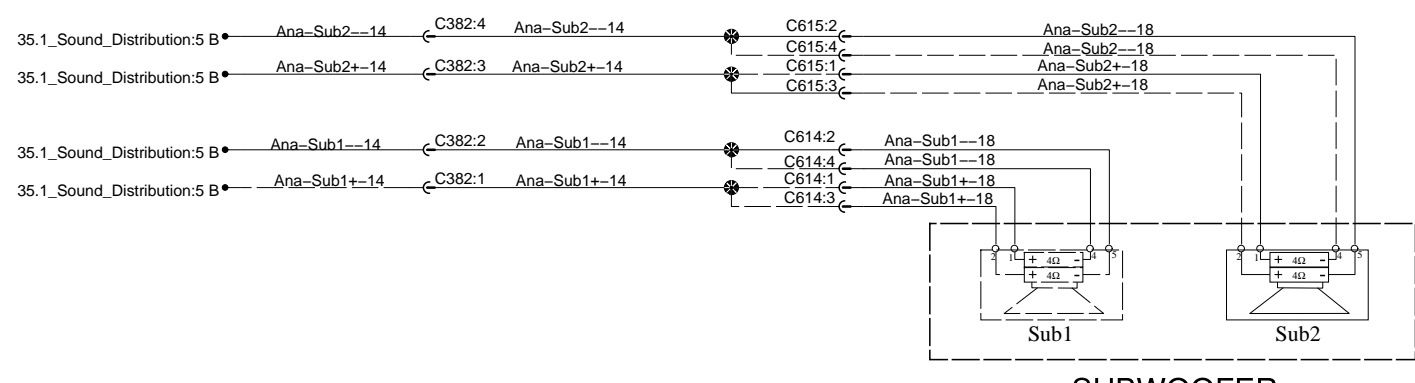
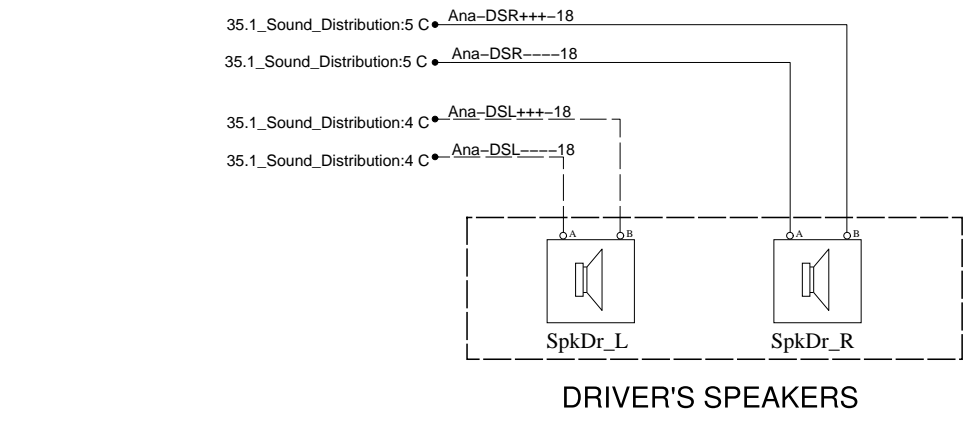
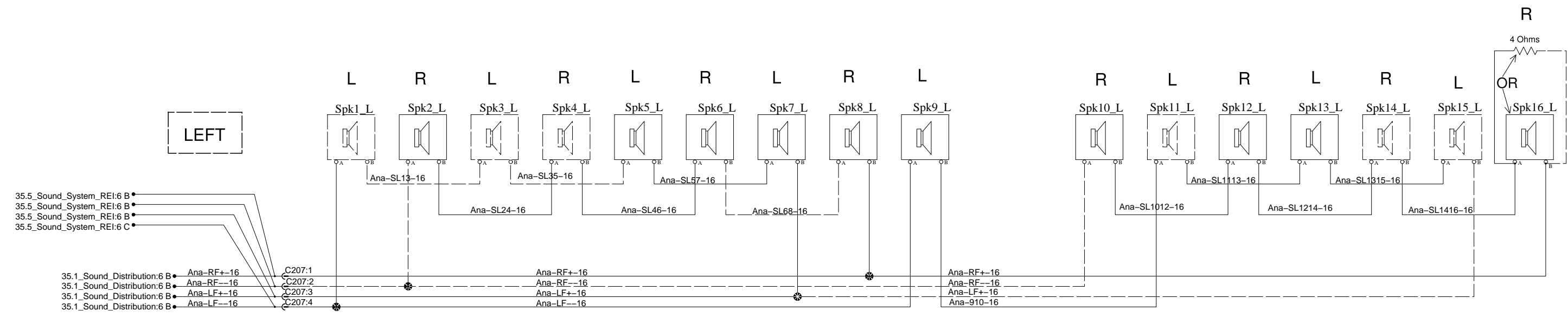
4

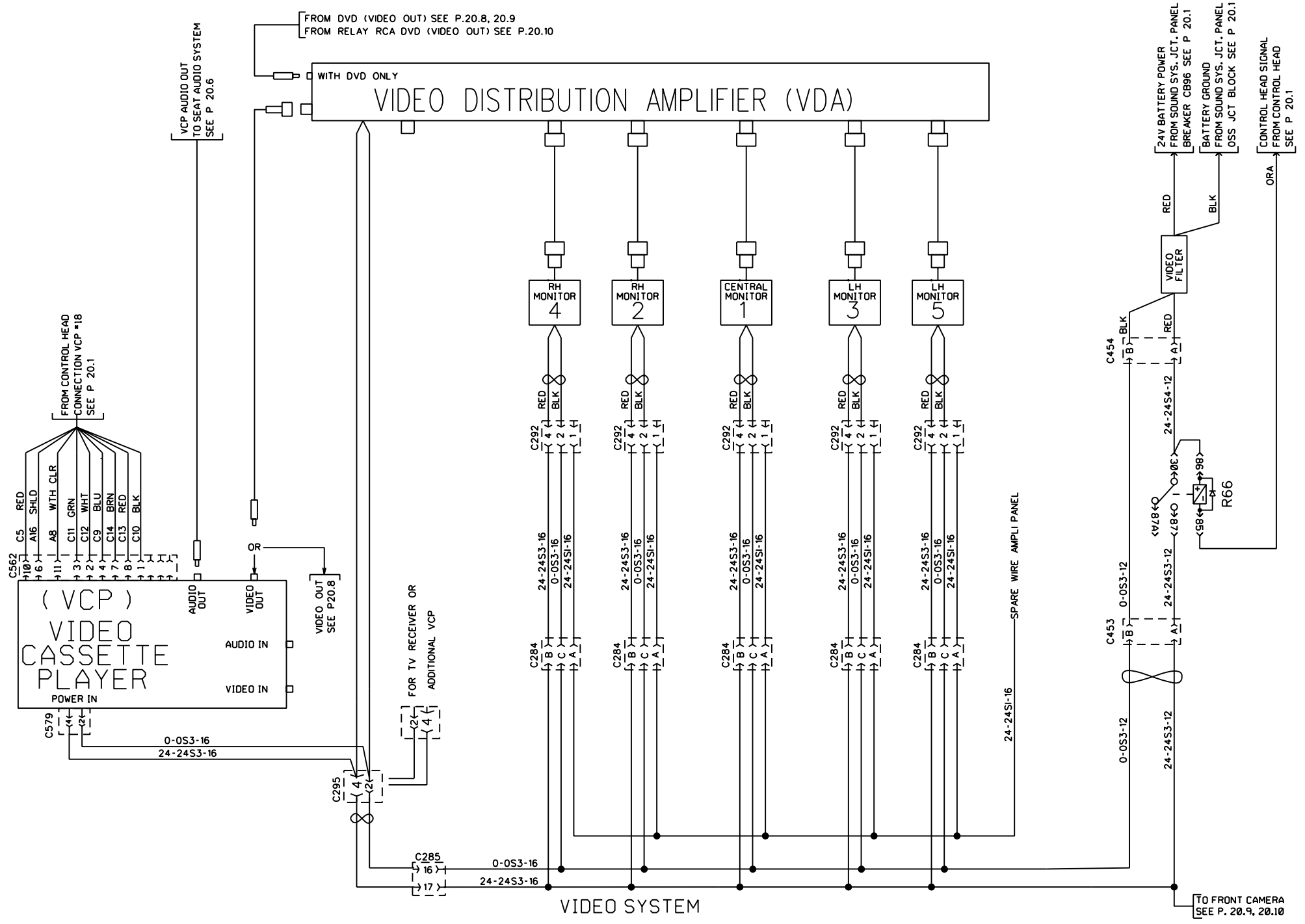


# SPEAKER ARRANGENT (DELTA CONFIGURATION)



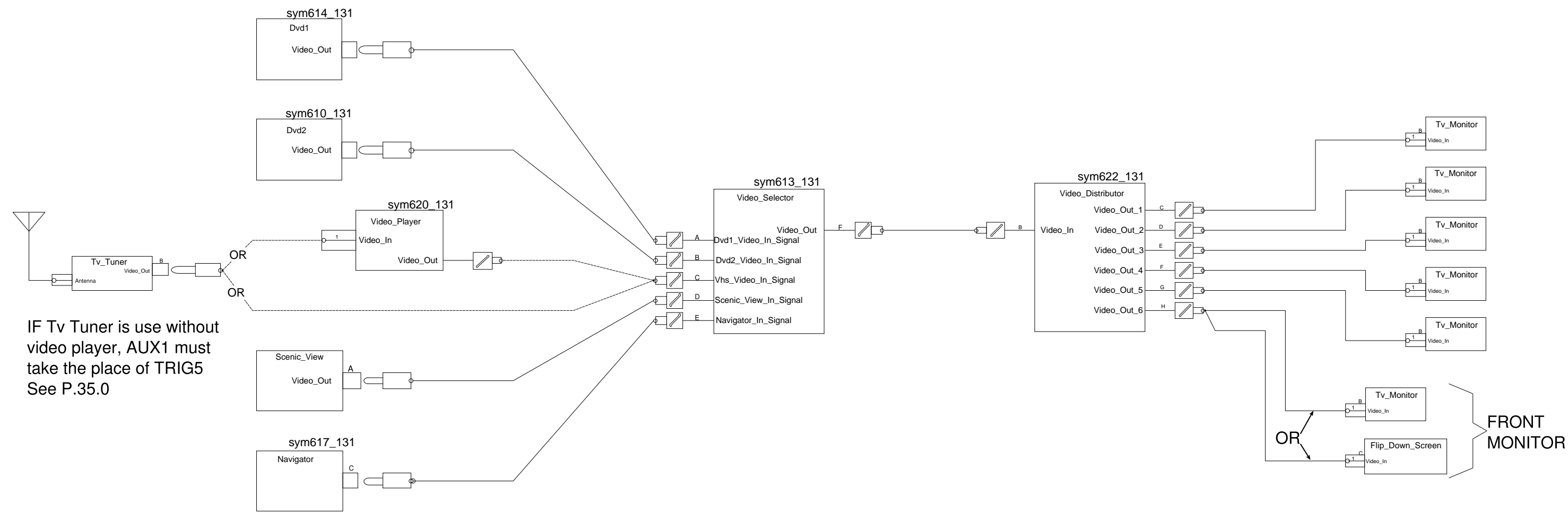
THE NUMBER OF SPEAKERS IS ACCORDING TO THE NUMBER OF SEATS.  
 SOME 4 OHMS RESISTORS COULD REPLACE SPEAKERS, AND THEY COULD  
 BE ANYWHERE IN THE READING LAMP AREA.





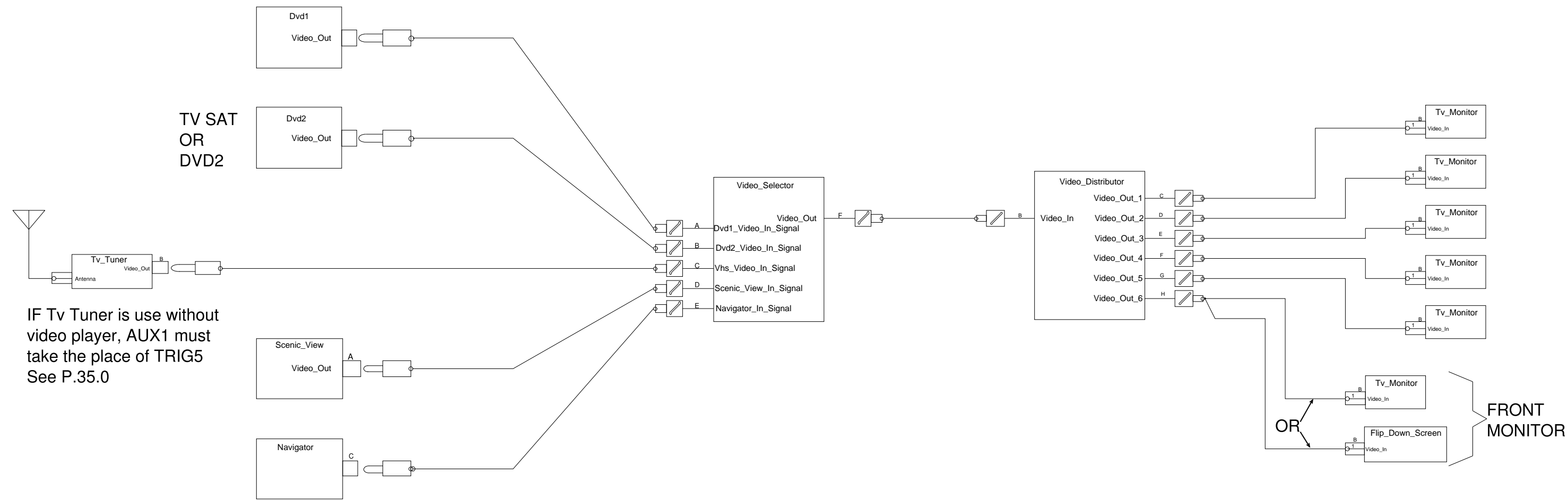
ld061020n35 3r00.dgn 2005 11 11 14:20:57

# VIDEO DISTRIBUTION



IF Tv Tuner is use without video player, AUX1 must take the place of TRIG5 See P.35.0

# VIDEO DISTRIBUTION



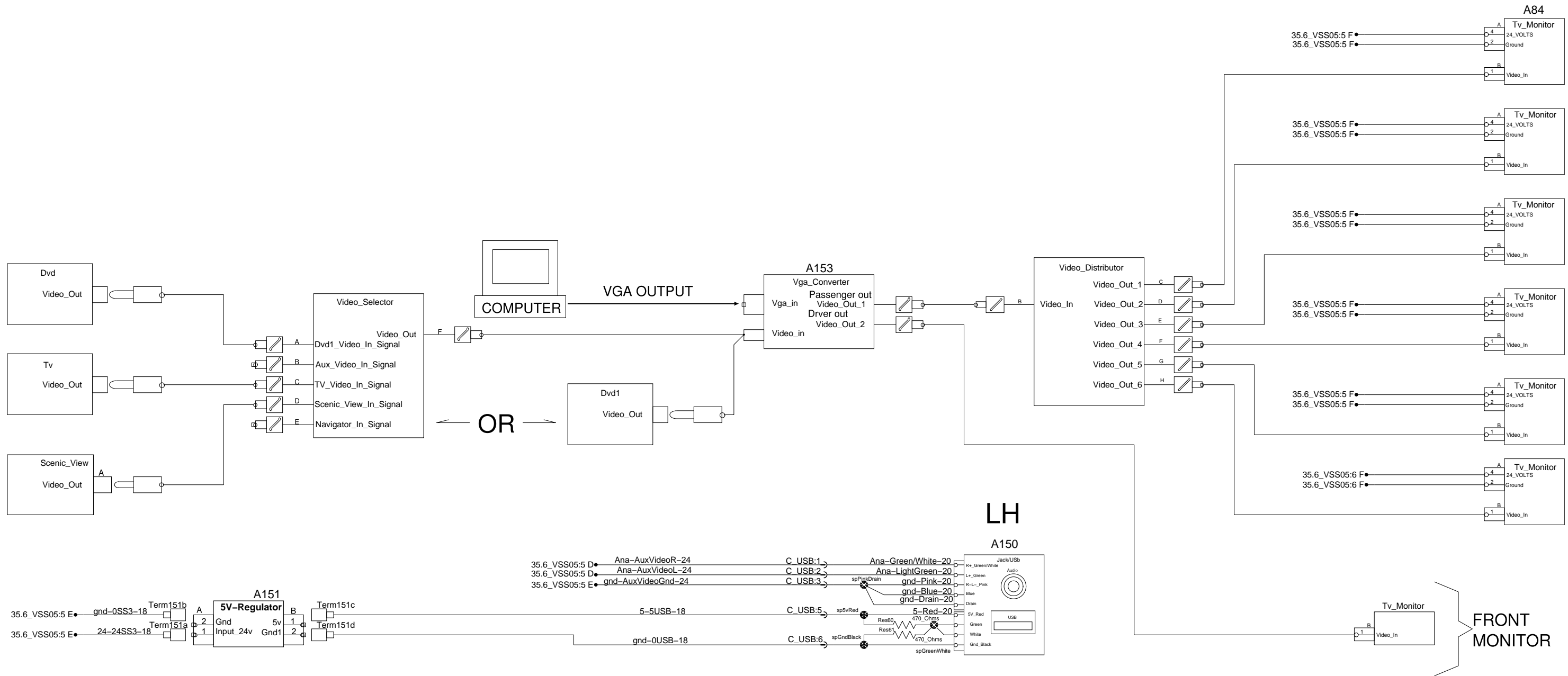
IF Tv Tuner is use without video player, AUX1 must take the place of TRIG5 See P.35.0

TV SAT OR DVD2

OR

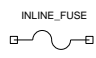
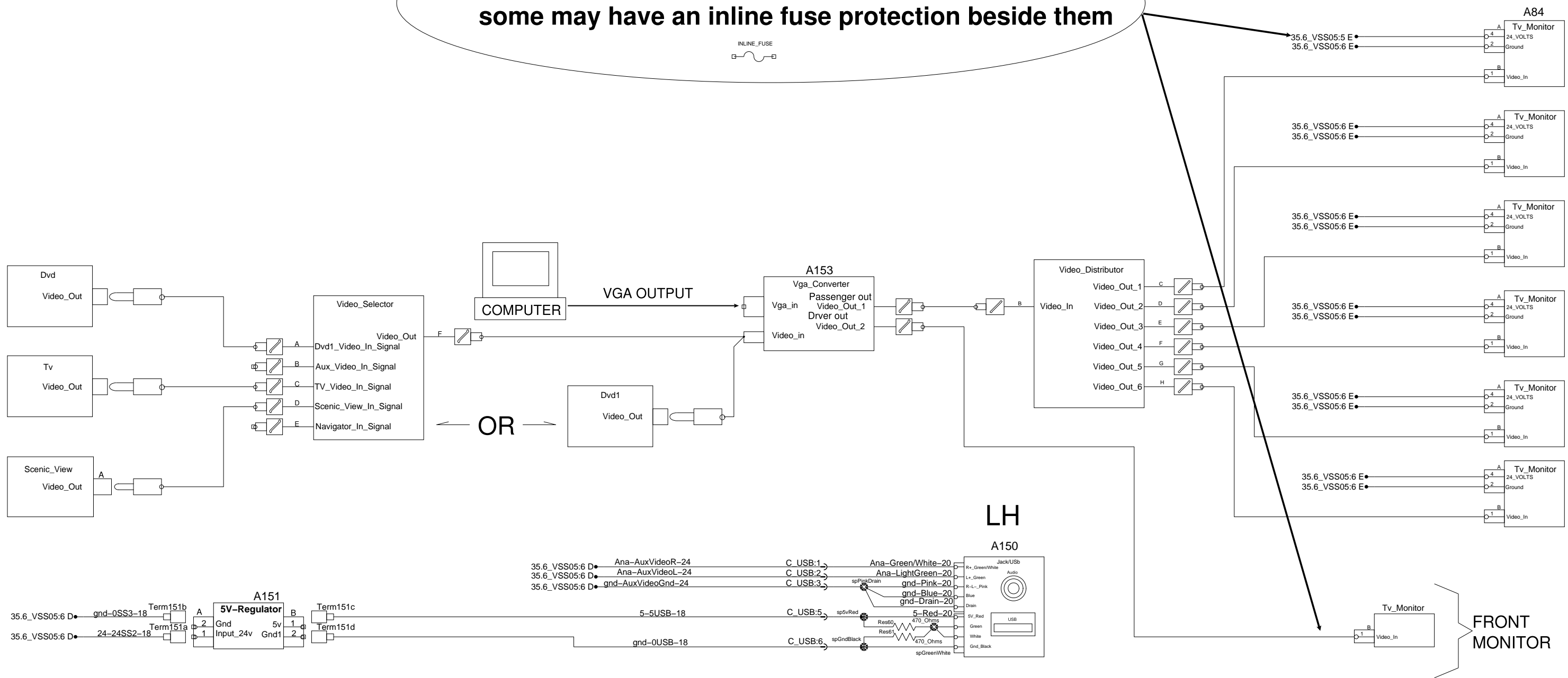
FRONT MONITOR

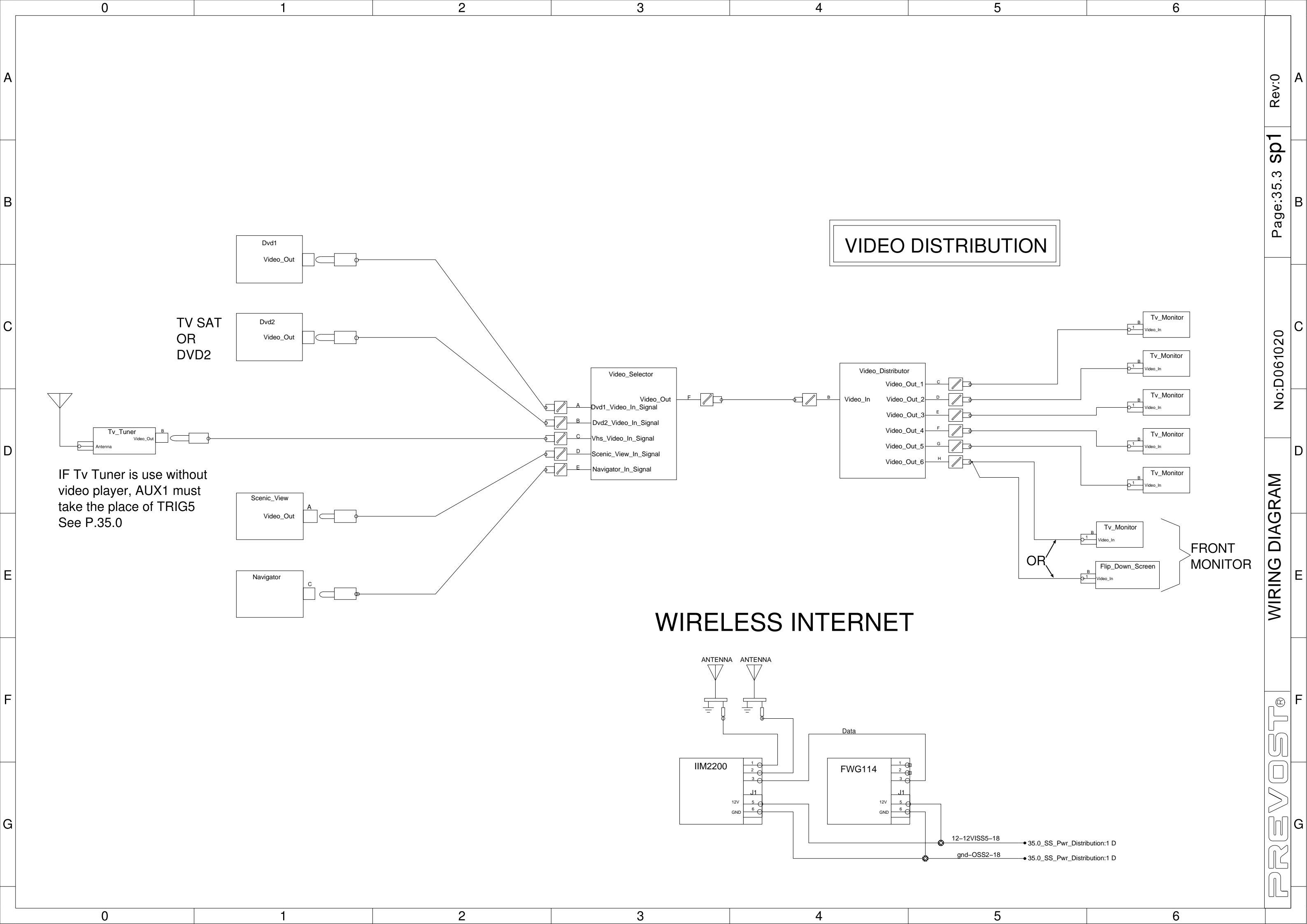
# VIDEO DISTRIBUTION



# VIDEO DISTRIBUTION

**Notice: Depend of model and type of monitors some may have an inline fuse protection beside them**



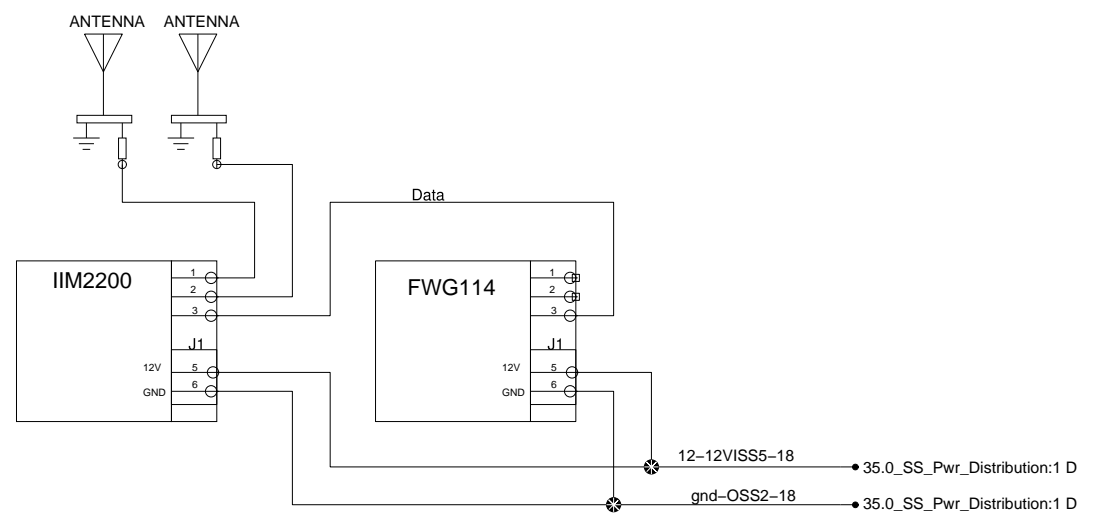
**VIDEO DISTRIBUTION**

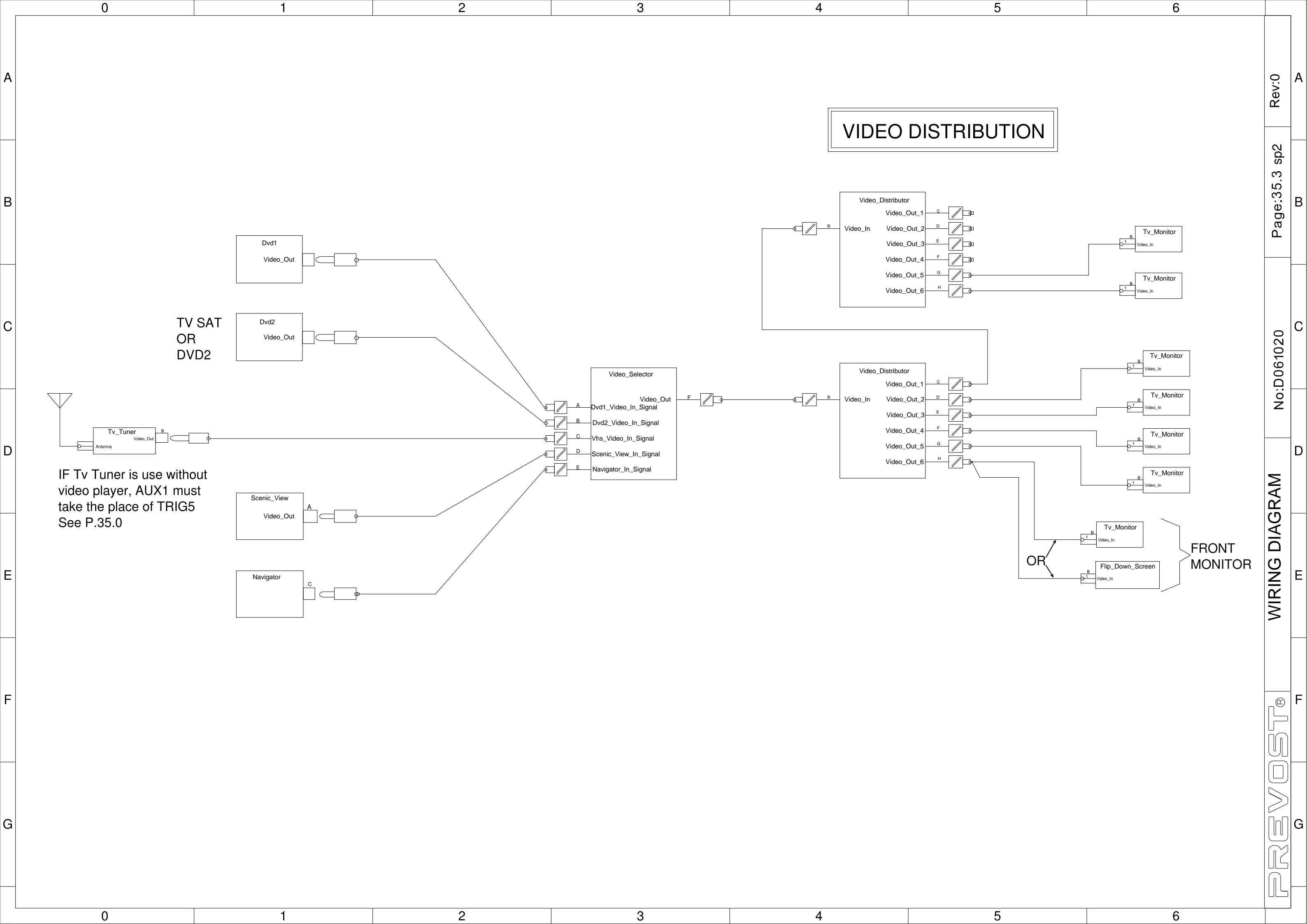
TV SAT  
OR  
DVD2

IF Tv Tuner is use without  
video player, AUX1 must  
take the place of TRIG5  
See P.35.0

FRONT  
MONITOR

**WIRELESS INTERNET**

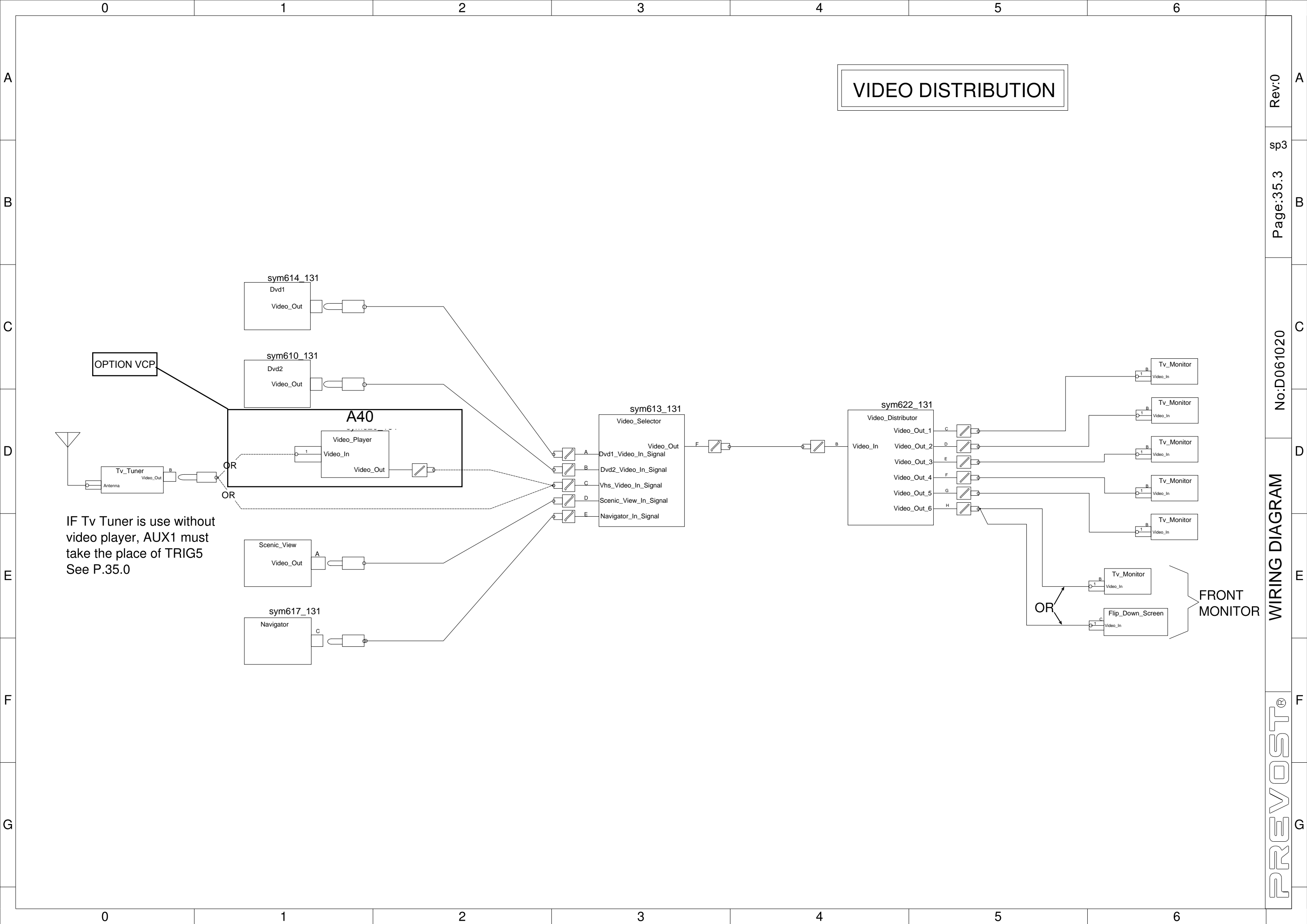




IF Tv Tuner is use without video player, AUX1 must take the place of TRIG5 See P.35.0

# VIDEO DISTRIBUTION





VIDEO DISTRIBUTION

OPTION VCP

**A40**  
 Video\_Player  
 Video\_In  
 Video\_Out

IF Tv Tuner is use without video player, AUX1 must take the place of TRIG5 See P.35.0

Scenic\_View  
 Video\_Out

sym617\_131  
 Navigator

sym614\_131  
 Dvd1  
 Video\_Out

sym610\_131  
 Dvd2  
 Video\_Out

sym613\_131  
 Video\_Selector  
 Video\_Out  
 Dvd1\_Video\_In\_Signal  
 Dvd2\_Video\_In\_Signal  
 Vhs\_Video\_In\_Signal  
 Scenic\_View\_In\_Signal  
 Navigator\_In\_Signal

sym622\_131  
 Video\_Distributor  
 Video\_In  
 Video\_Out\_1  
 Video\_Out\_2  
 Video\_Out\_3  
 Video\_Out\_4  
 Video\_Out\_5  
 Video\_Out\_6

Tv\_Monitor  
 Video\_In

Tv\_Monitor  
 Video\_In

Tv\_Monitor  
 Video\_In

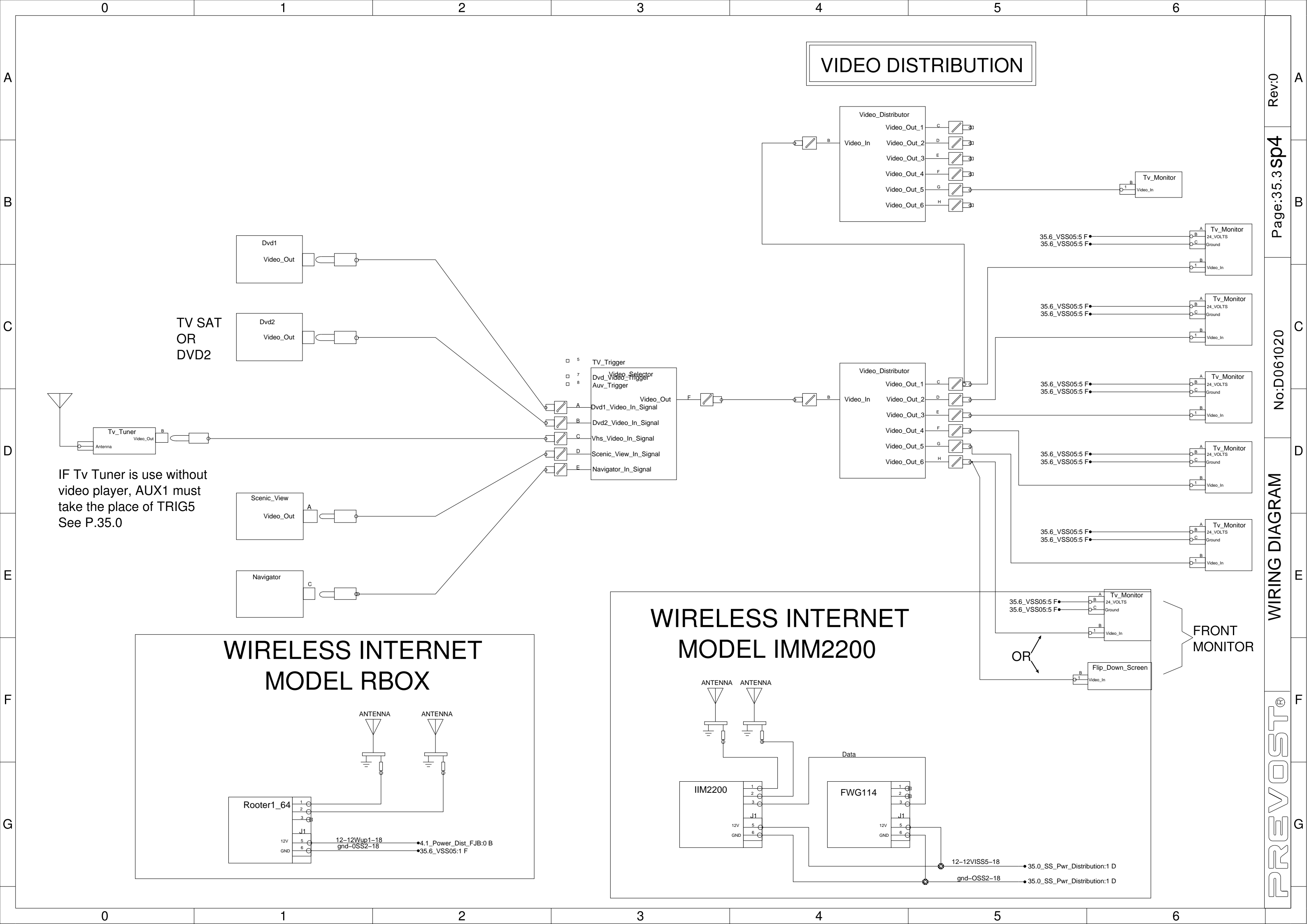
Tv\_Monitor  
 Video\_In

Tv\_Monitor  
 Video\_In

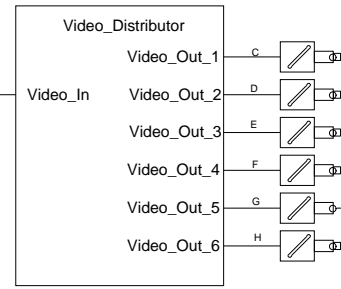
Tv\_Monitor  
 Video\_In

Flip\_Down\_Screen  
 Video\_In

FRONT MONITOR



# VIDEO DISTRIBUTION



TV SAT  
OR  
DVD2

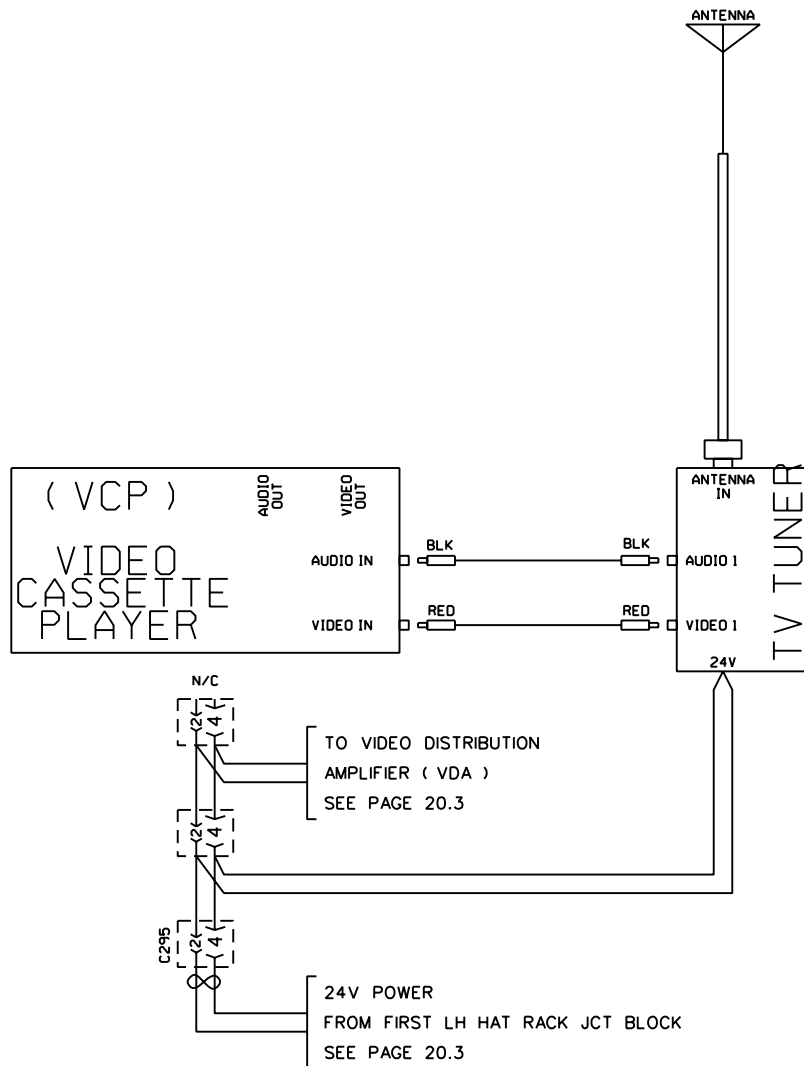
# WIRELESS INTERNET MODEL IMM2200

# WIRELESS INTERNET MODEL RBOX

FRONT  
MONITOR

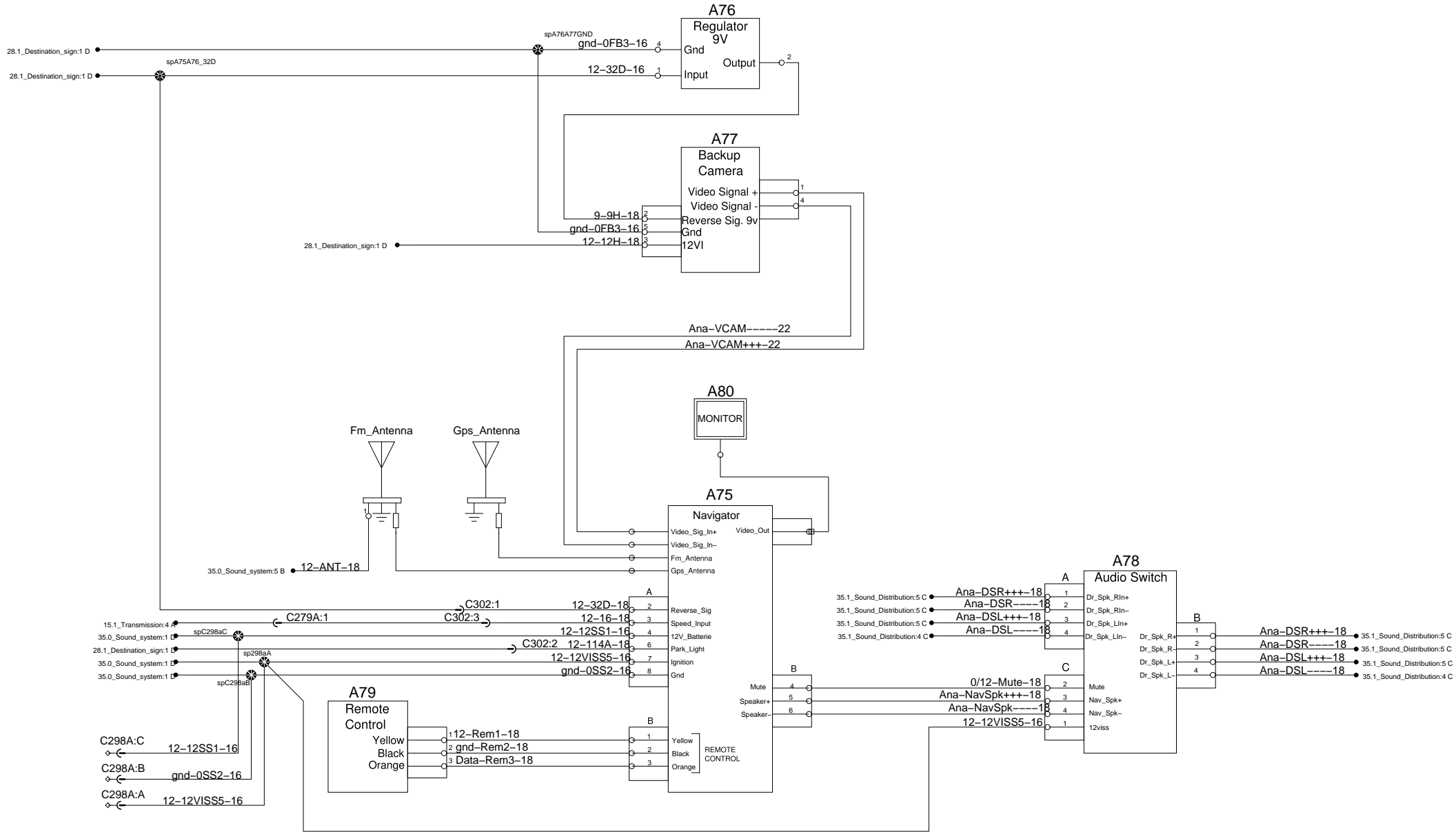
IF Tv Tuner is use without  
video player, AUX1 must  
take the place of TRIG5  
See P.35.0



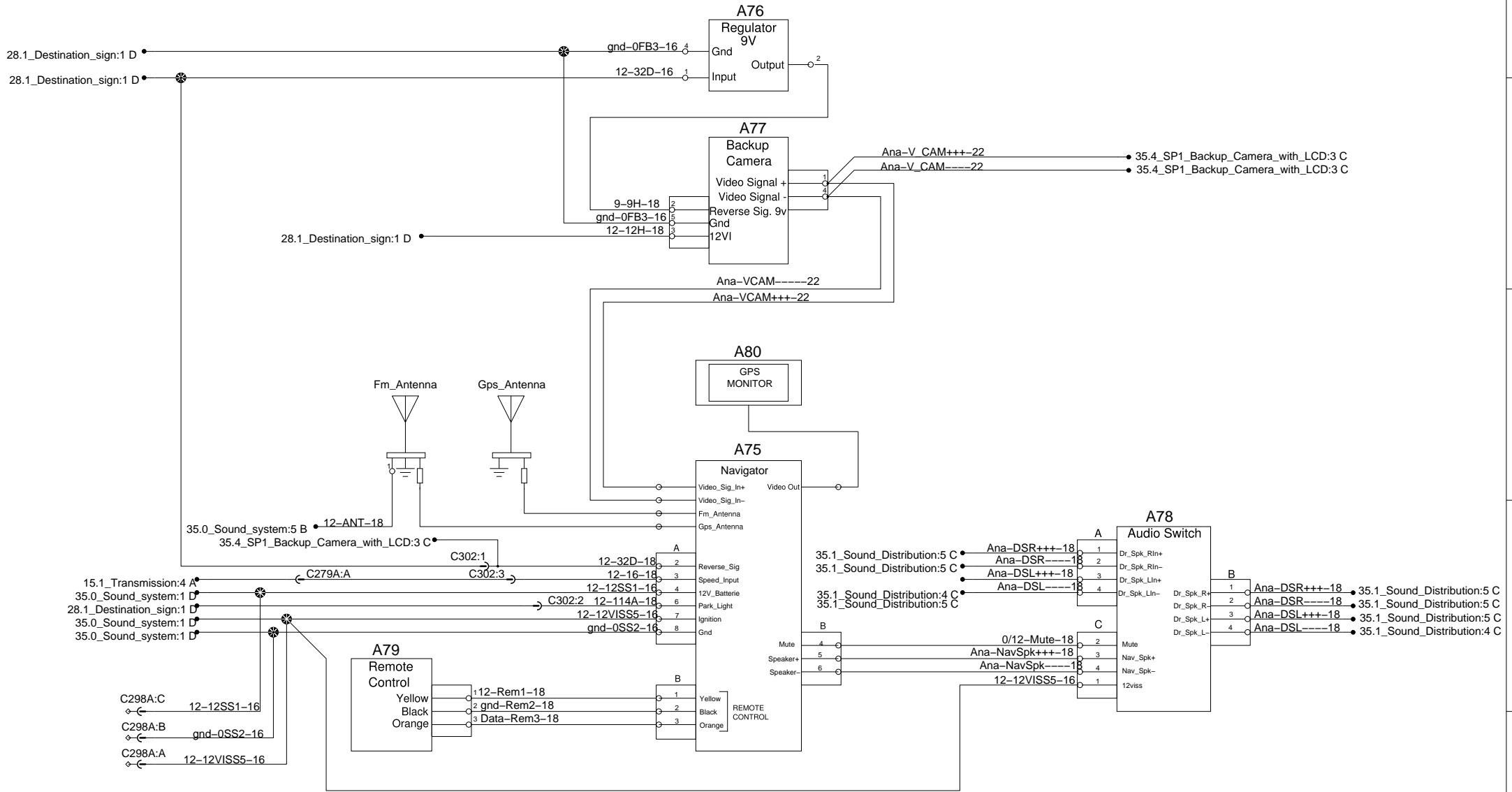


TV RECEIVER

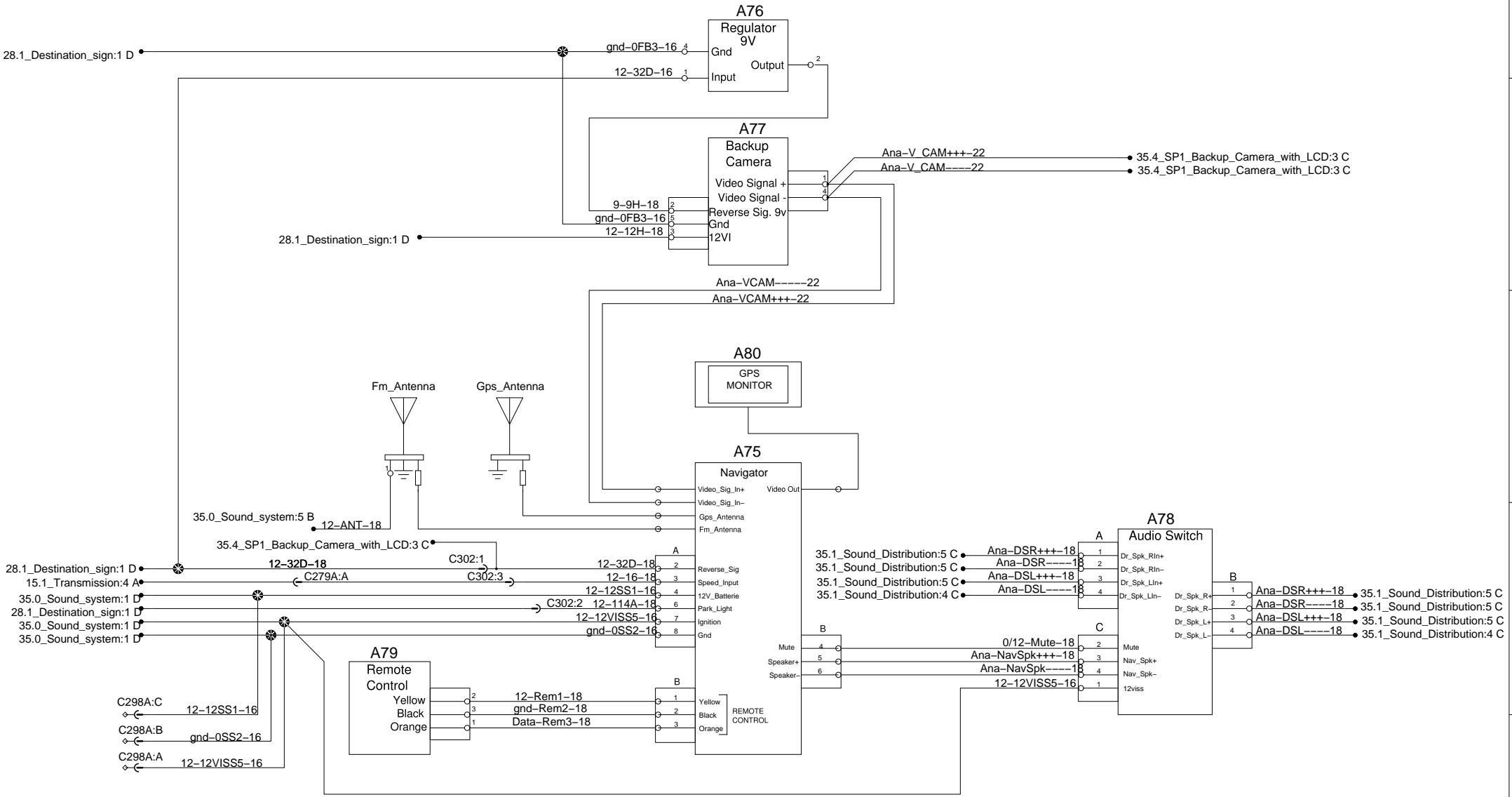
# NAVIGATION SYSTEM



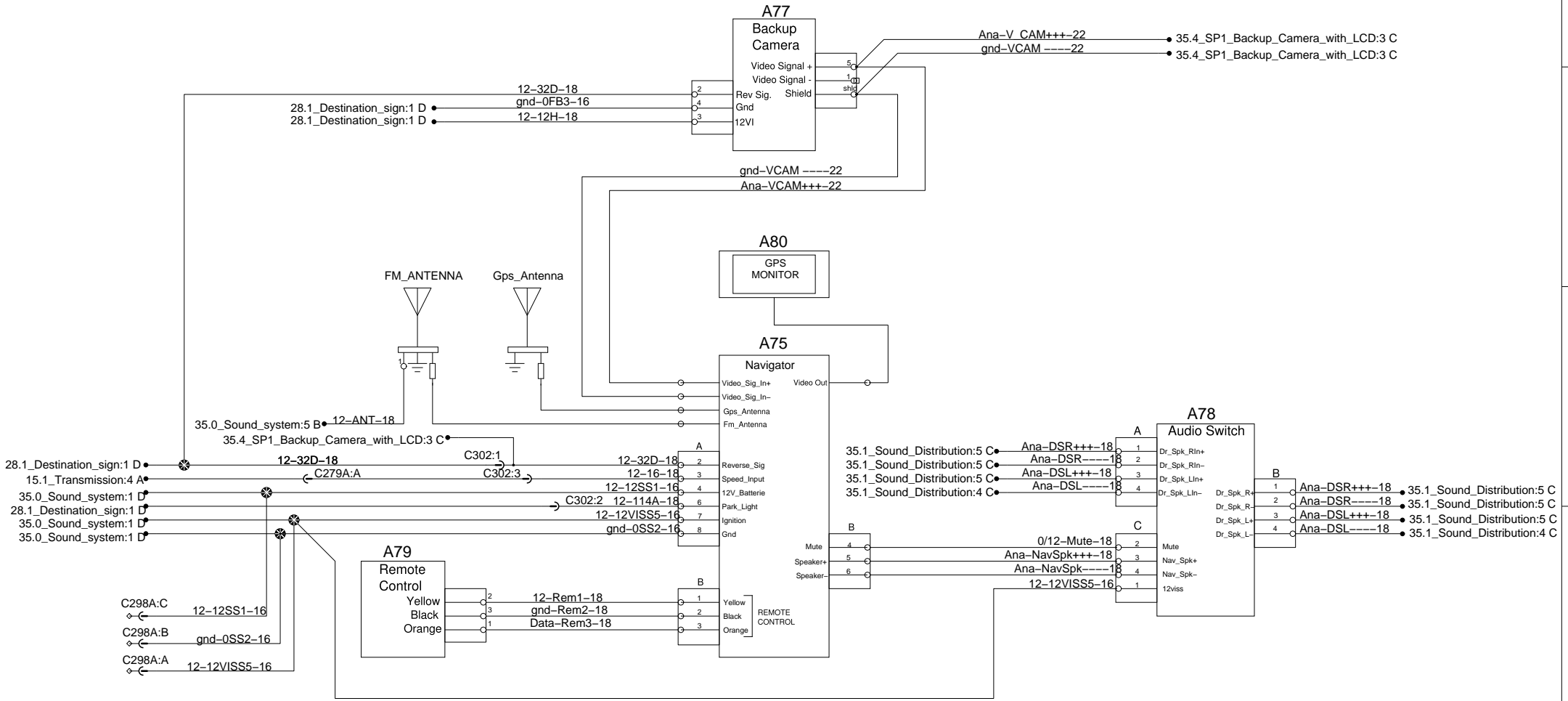
# NAVIGATION SYSTEM WITH BACKUP CAMERA



# NAVIGATION SYSTEM WITH BACKUP CAMERA

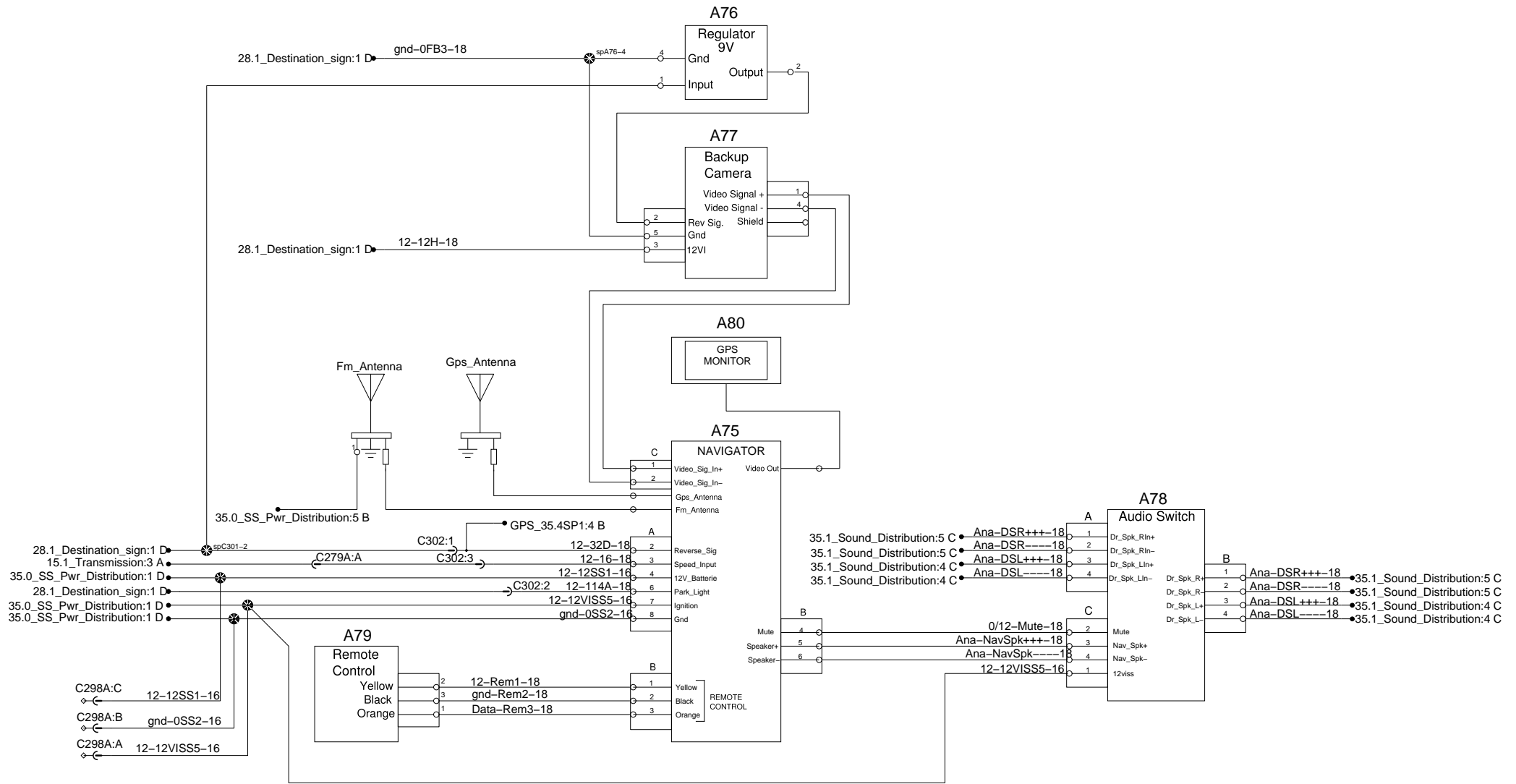


# NAVIGATION SYSTEM WITH BACKUP CAMERA

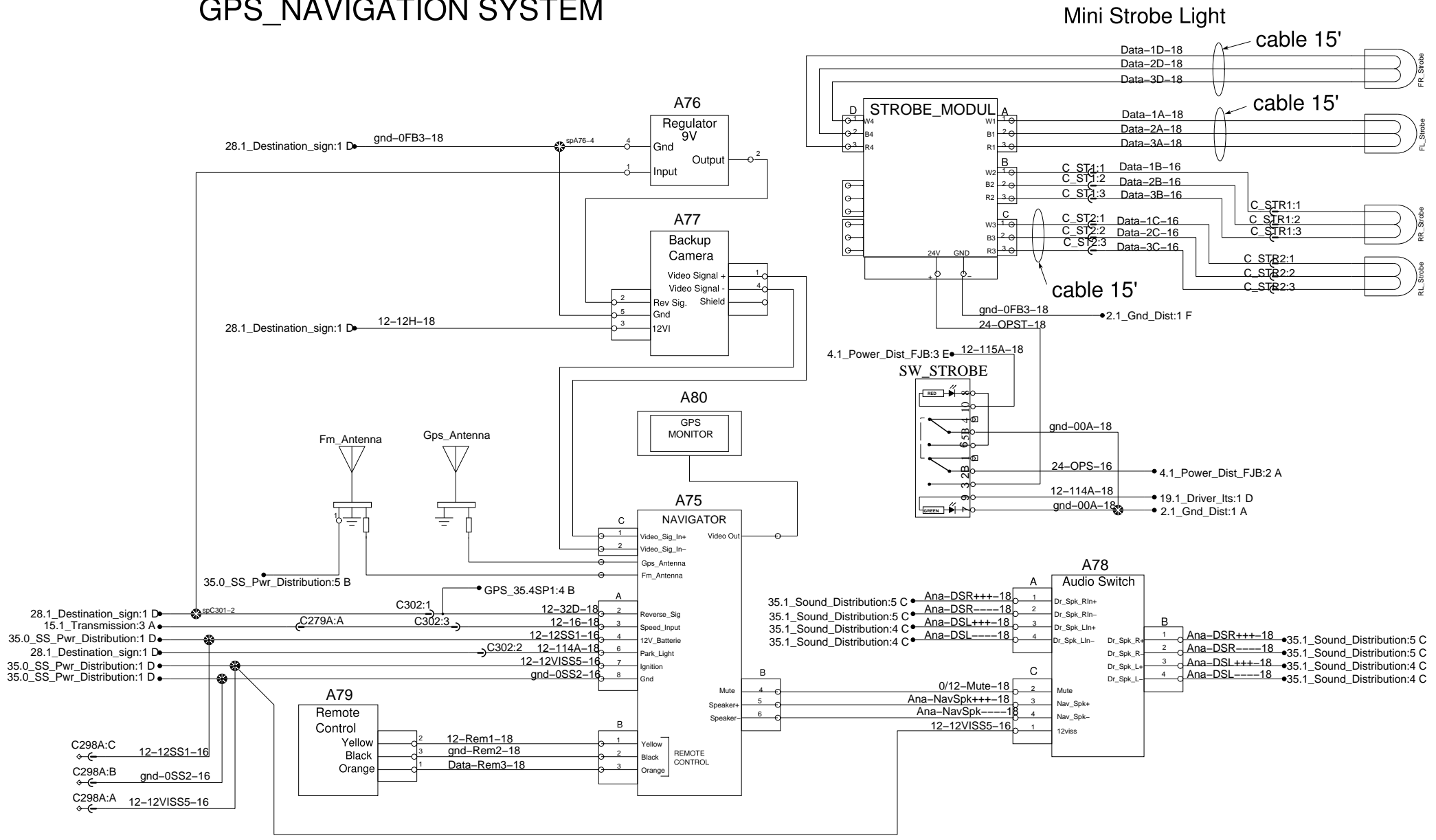




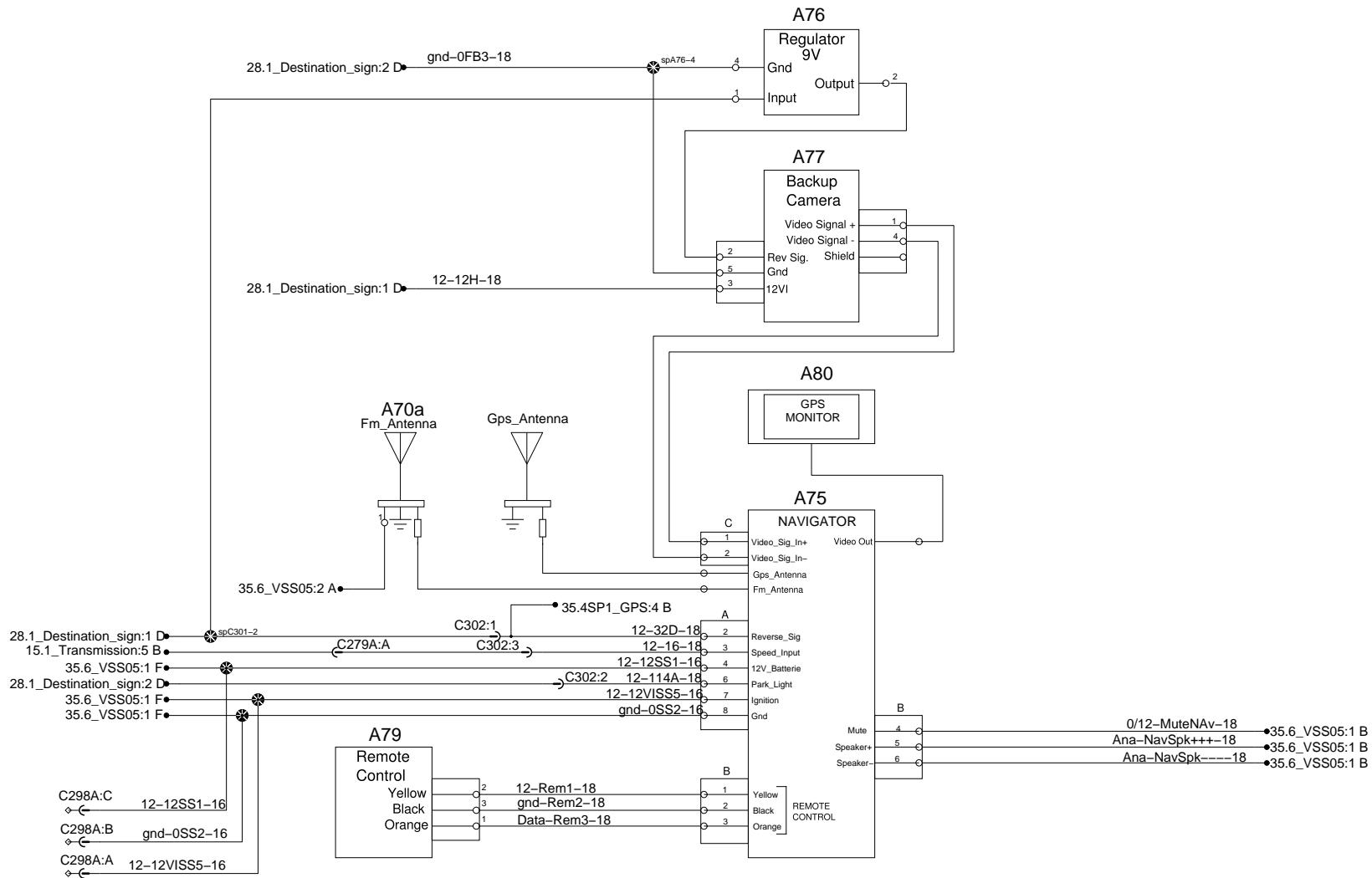
# NAVIGATION SYSTEM WITH BACKUP CAMERA



# GPS\_NAVIGATION SYSTEM



# GPS\_NAVIGATION SYSTEM



0

1

2

3

4

A

A

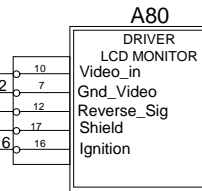
# BACKUP CAMERA WITH LCD MONITOR WITHOUT NAVIGATOR

B

B

35.4\_Navigation\_system:2 B ●  
 35.4\_Navigation\_system:2 B ●  
 35.4\_Navigation\_system:1 D ●  
 35.0\_Sound\_system:1 D ●  
 35.0\_Sound\_system:1 D ●

Ana-V\_CAM+++22  
 Ana-V\_CAM---22  
 12-32D-18  
 gnd-0SS2-16  
 12-12VISS5-16



C

C

D

D

E

E

0

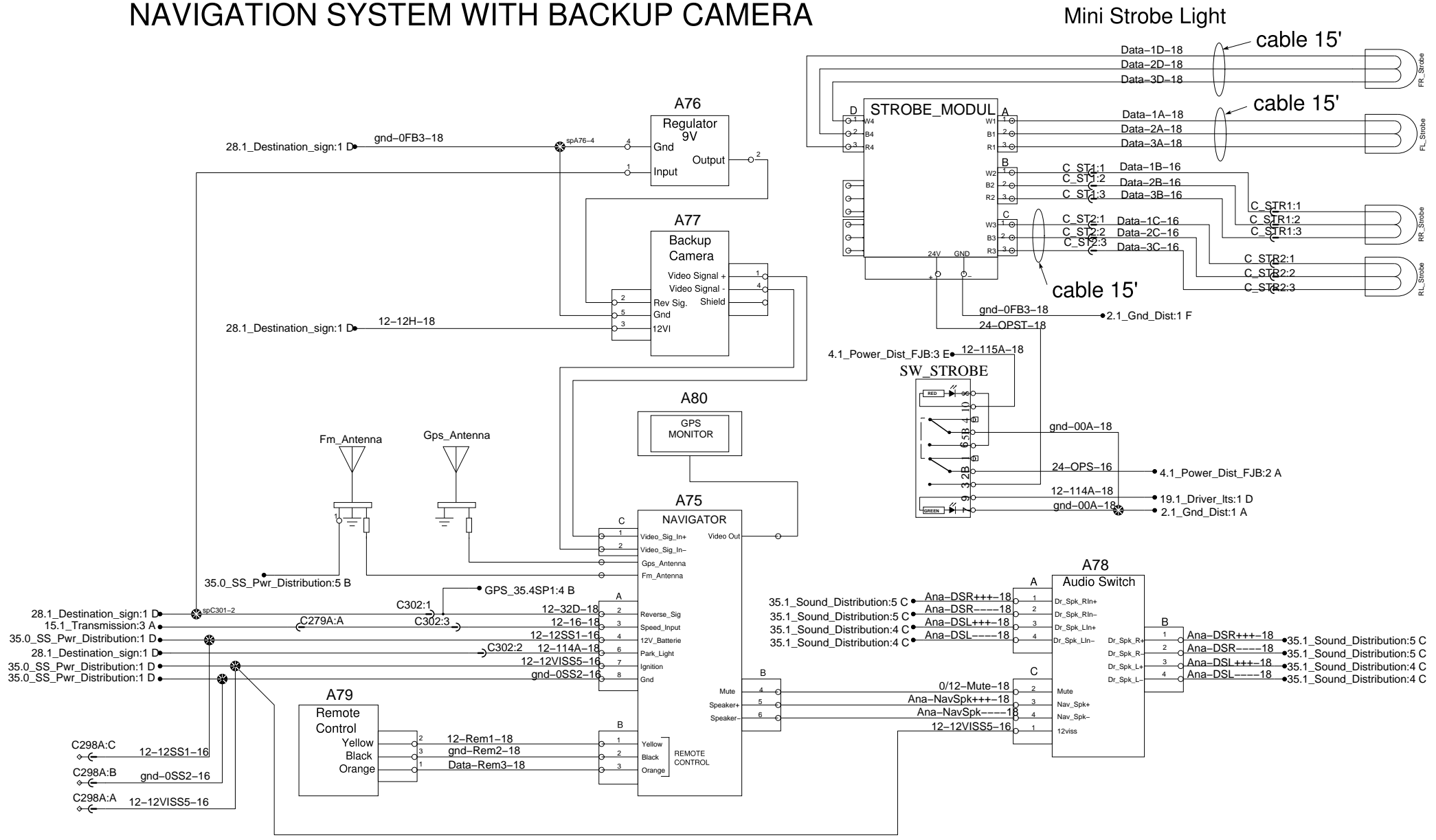
1

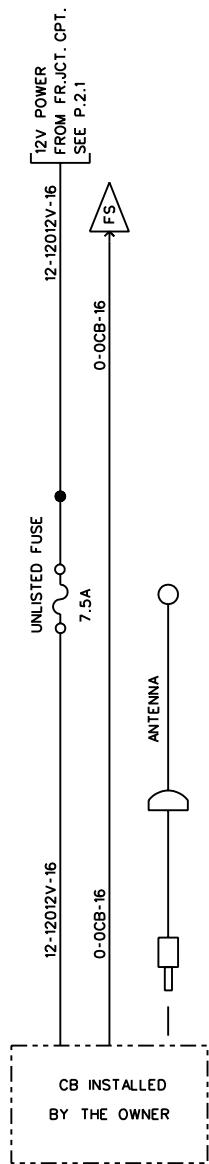
2

3

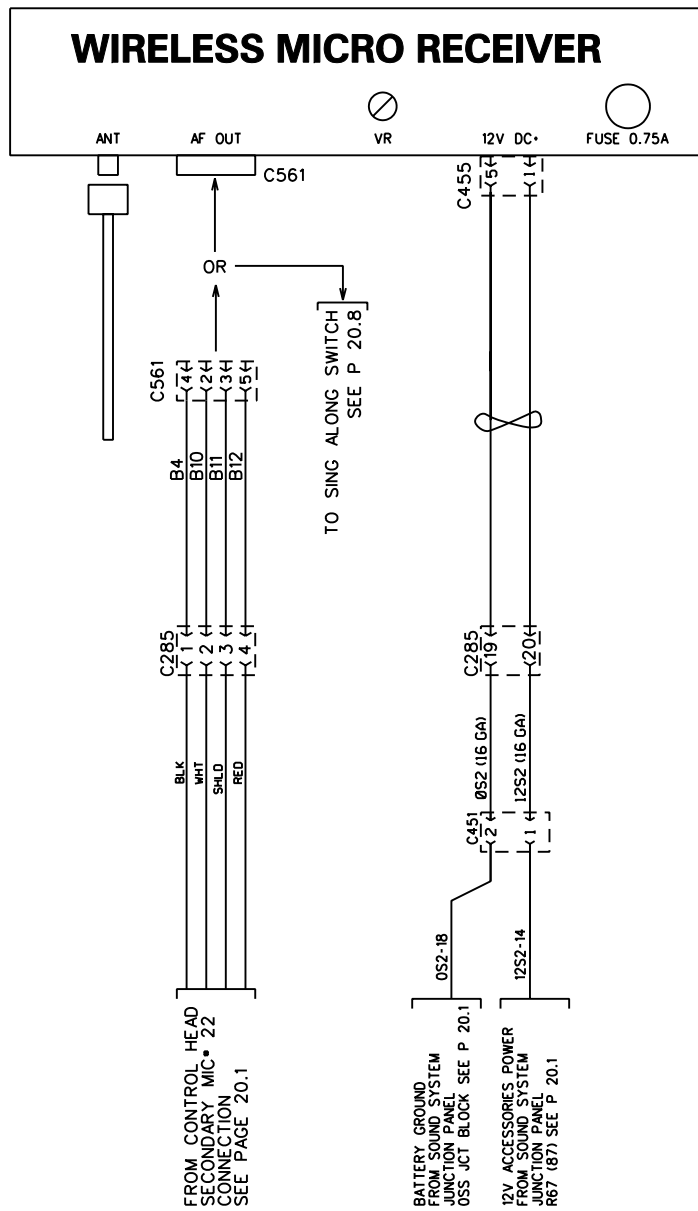
4

# NAVIGATION SYSTEM WITH BACKUP CAMERA

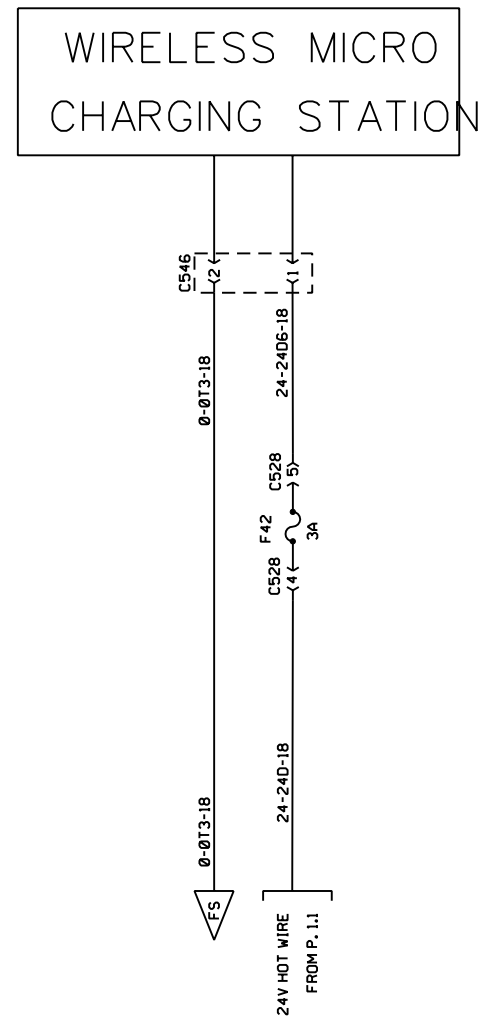




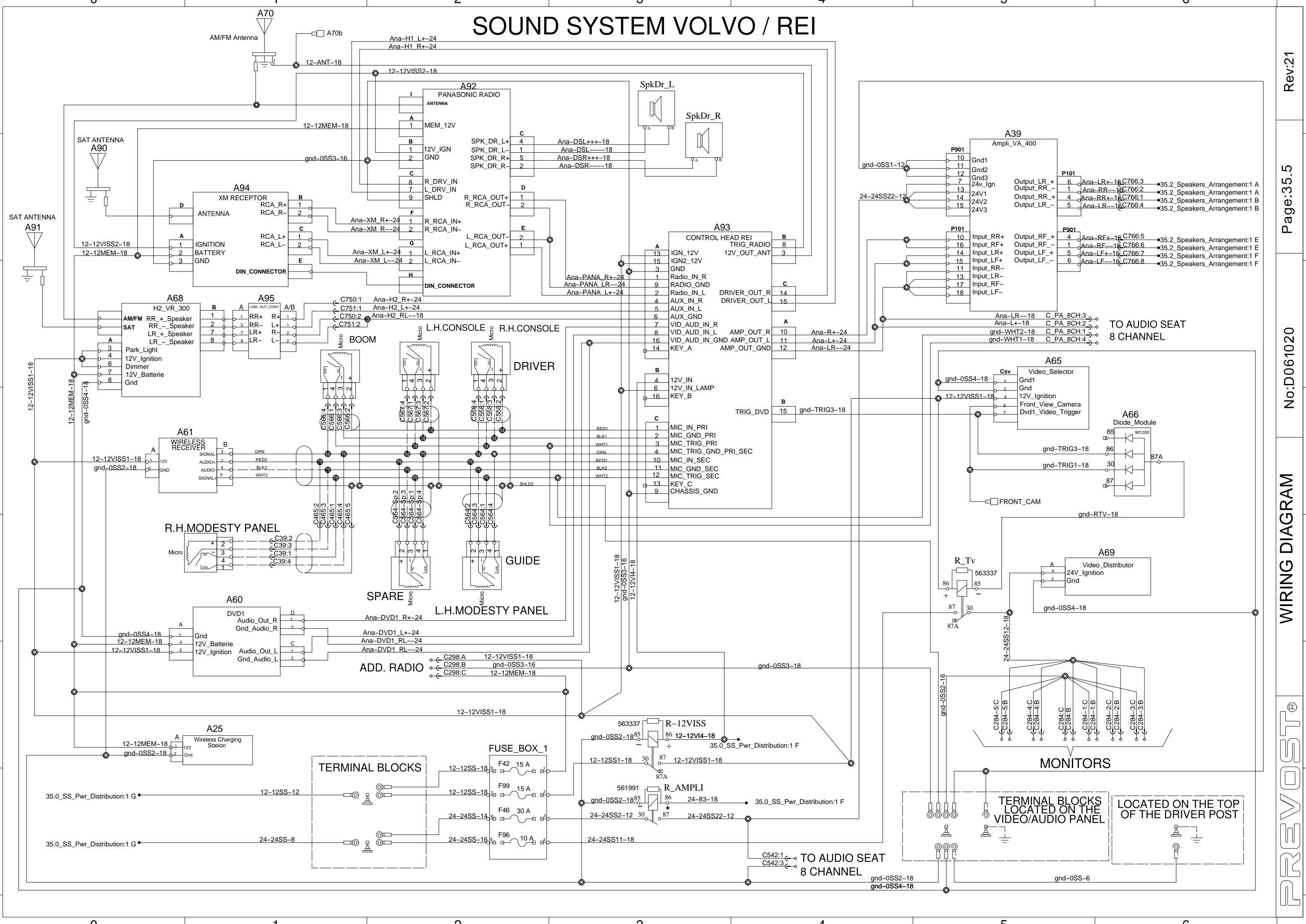
CB OPTION



WIRELESS MICROPHONE



# SOUND SYSTEM VOLVO / REI

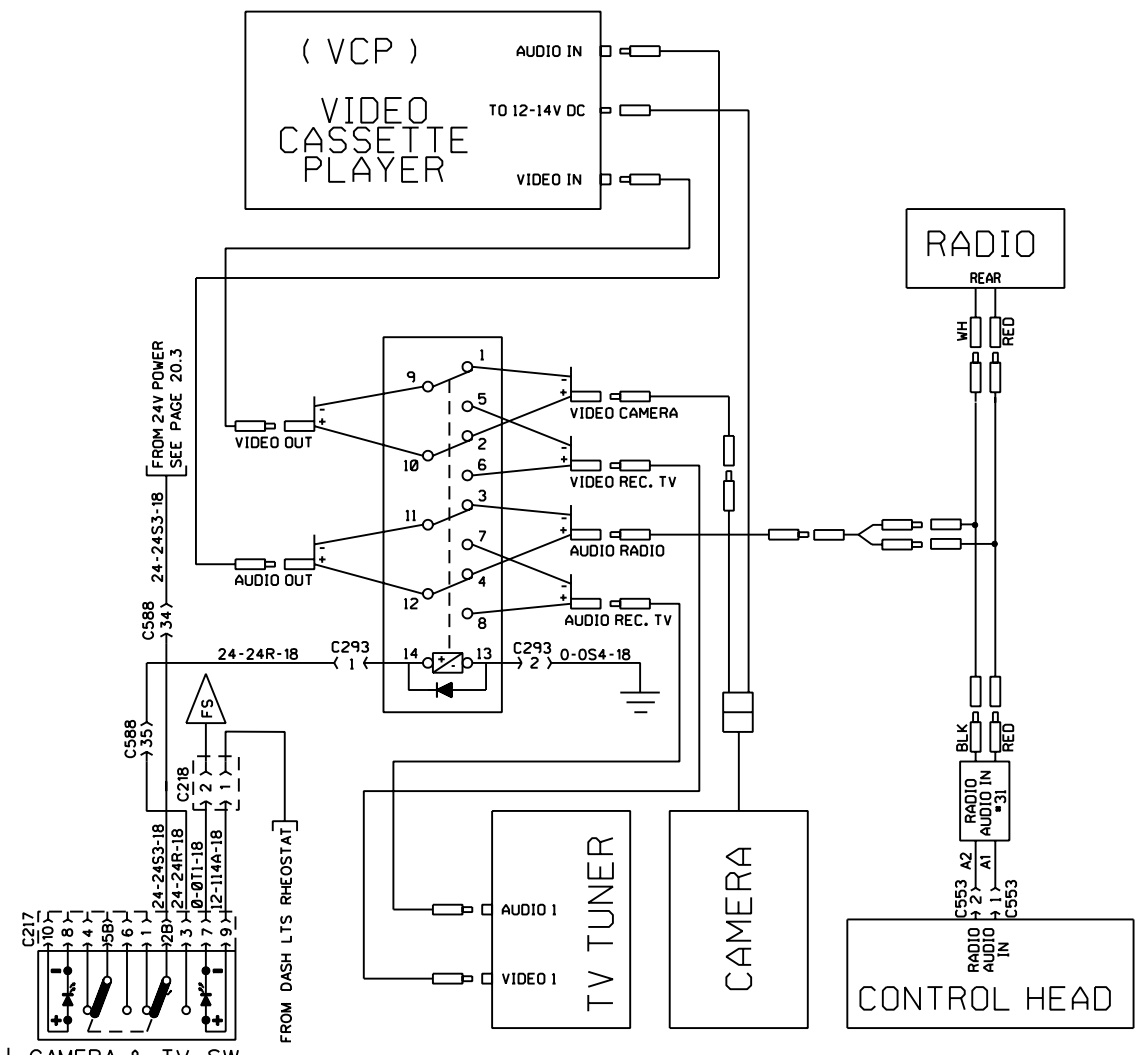
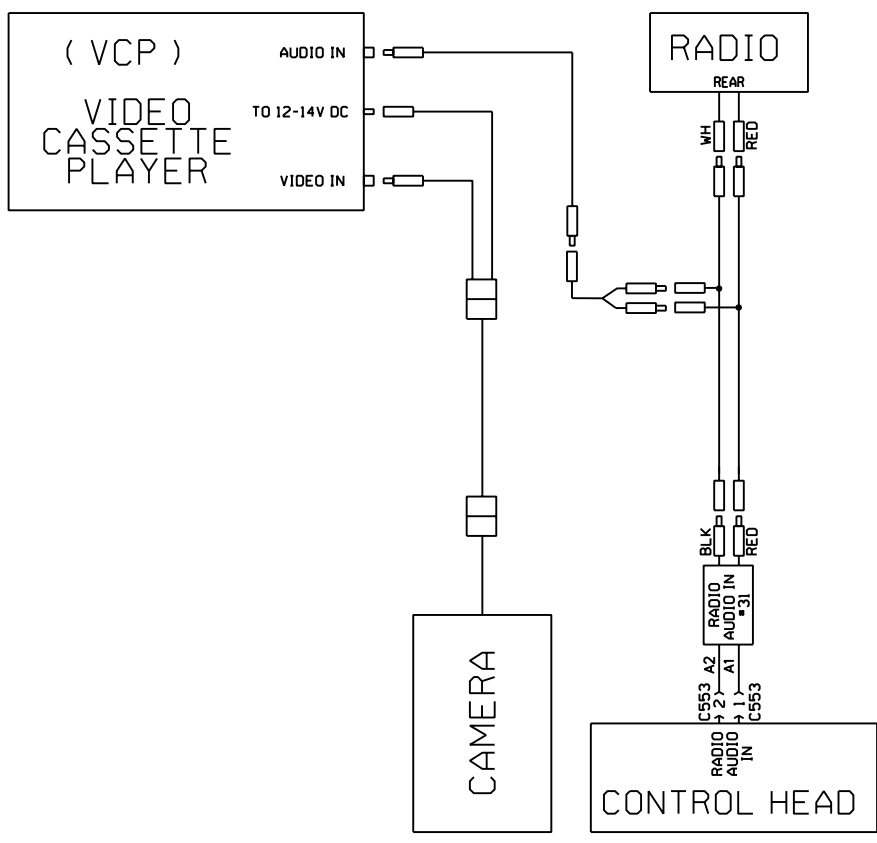


TO AUDIO SEAT  
8 CHANNEL

MONITORS

TERMINAL BLOCKS  
LOCATED ON THE TOP  
OF THE DRIVER POST

TO AUDIO SEAT  
8 CHANNEL

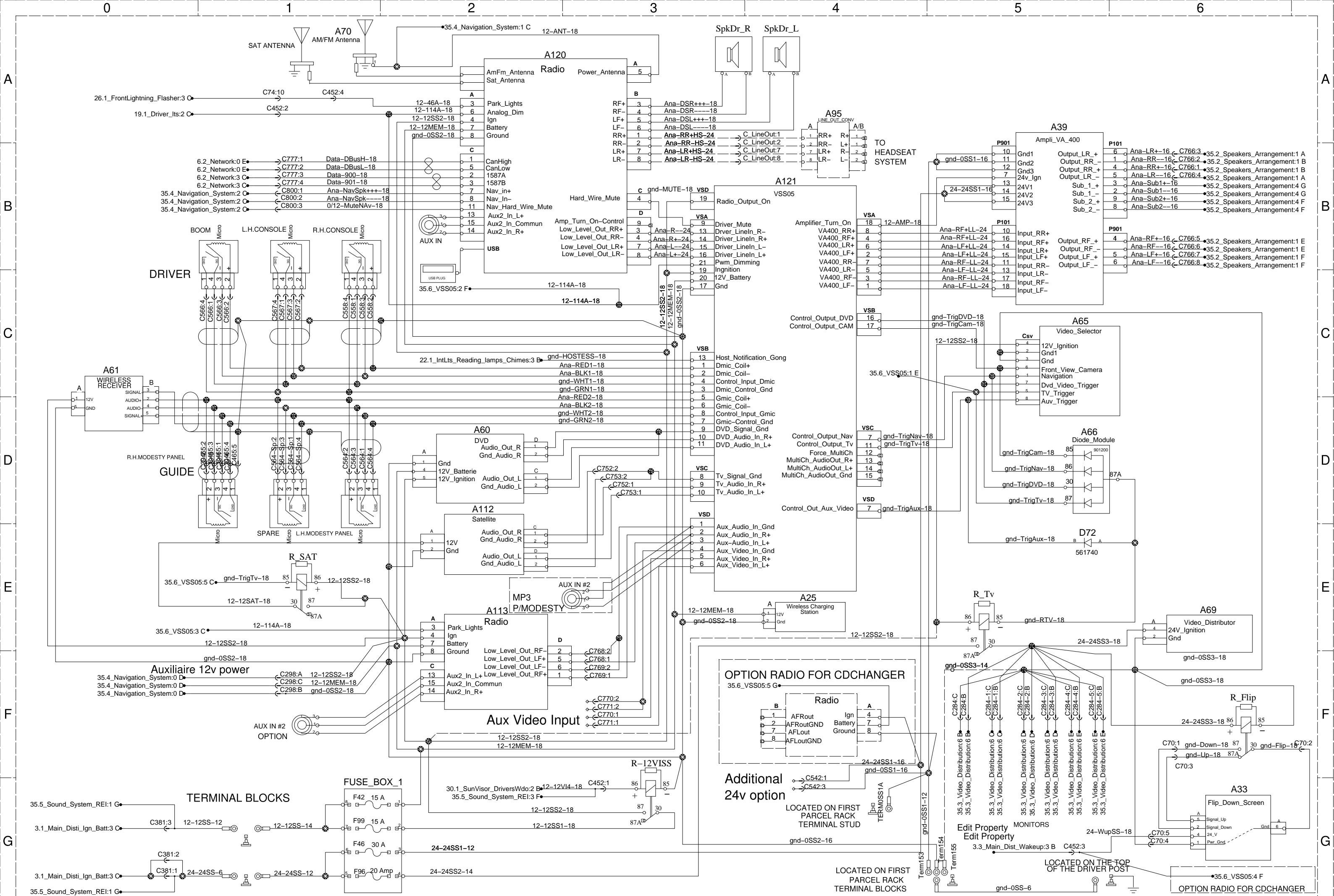


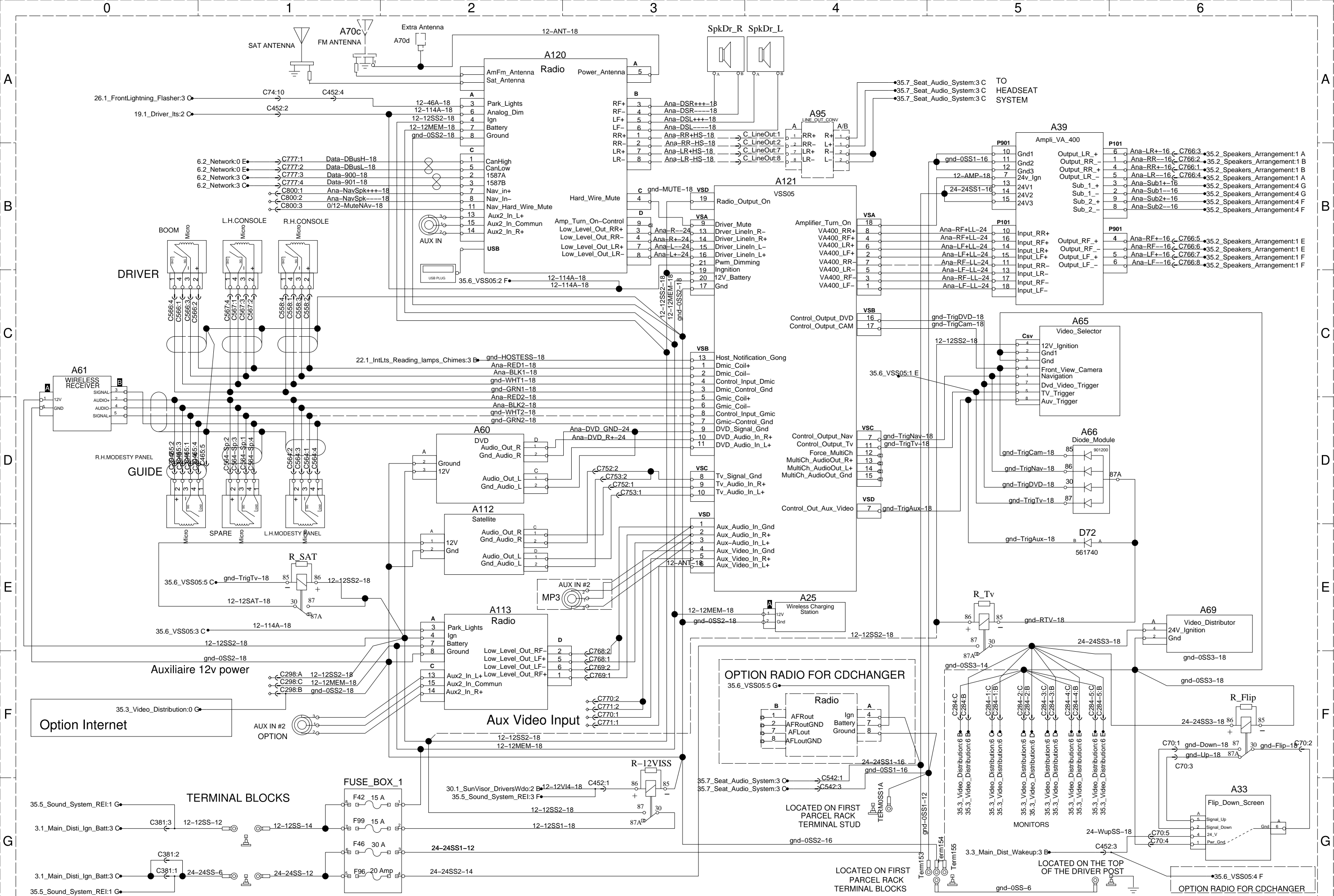
FRONT CAMERA WITHOUT TV RECEIVER

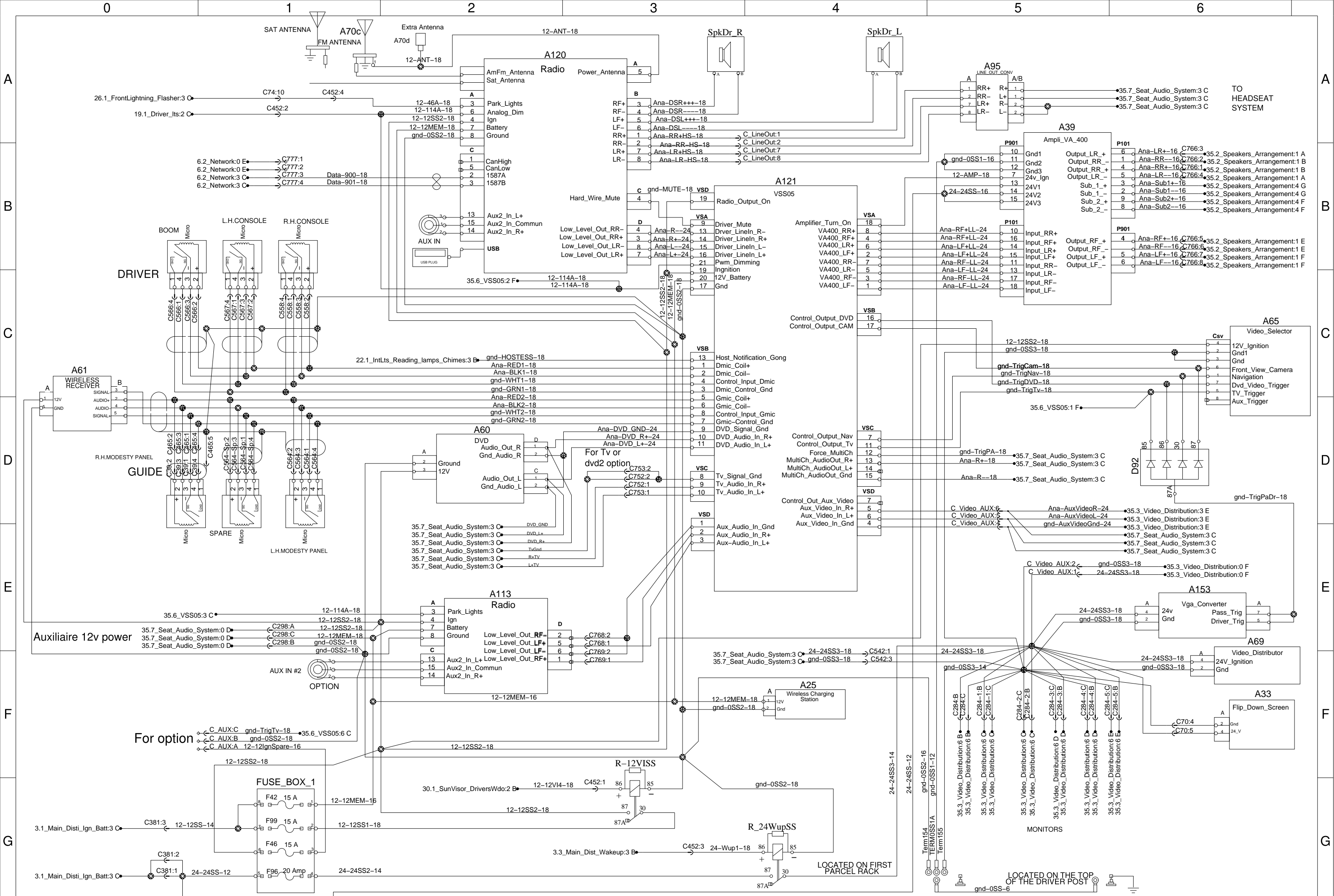
VCP, FRONT CAMERA WITH TV RECEIVER

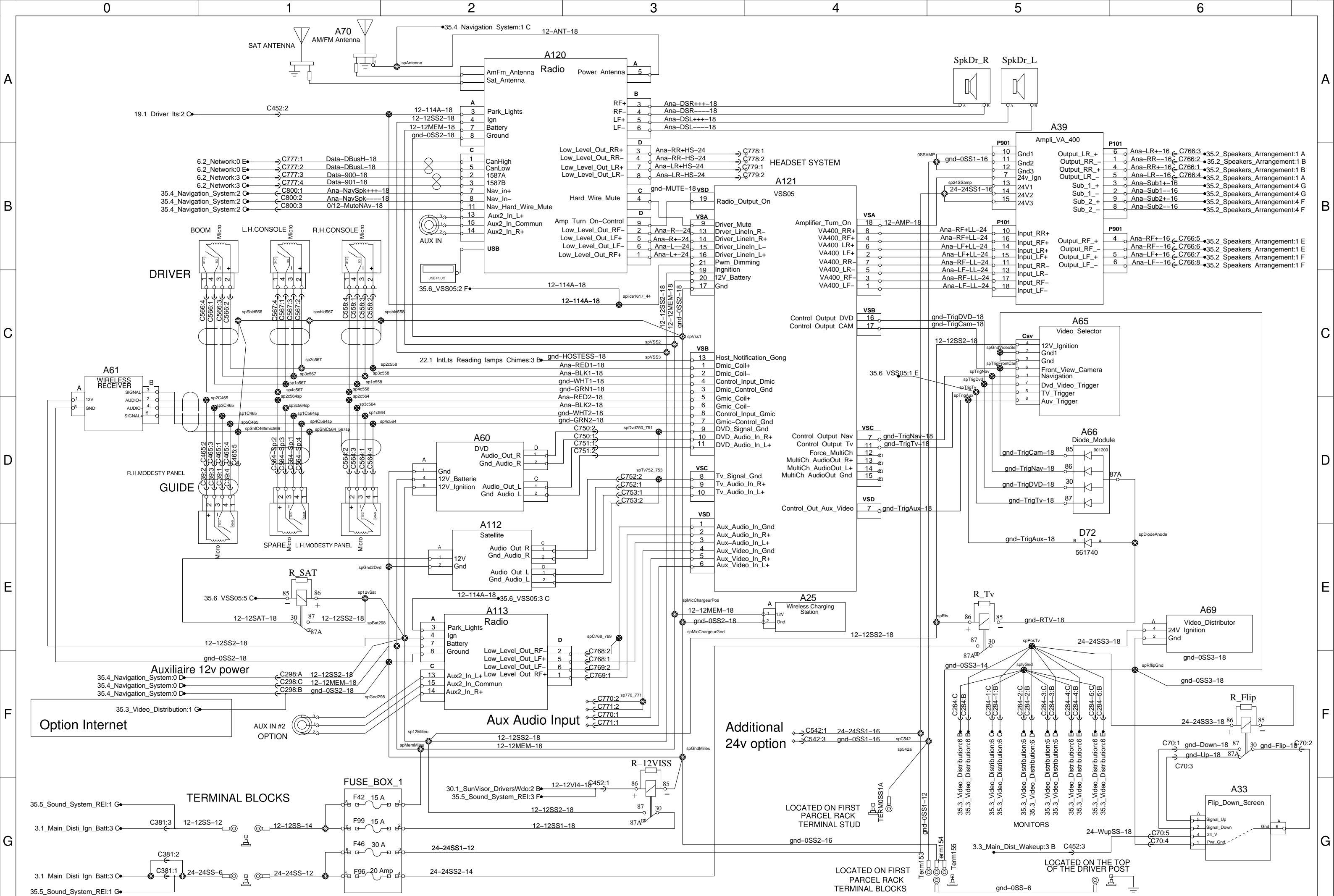
vd061020n35\_6r00.dgn 2005.11.11.14:38:45







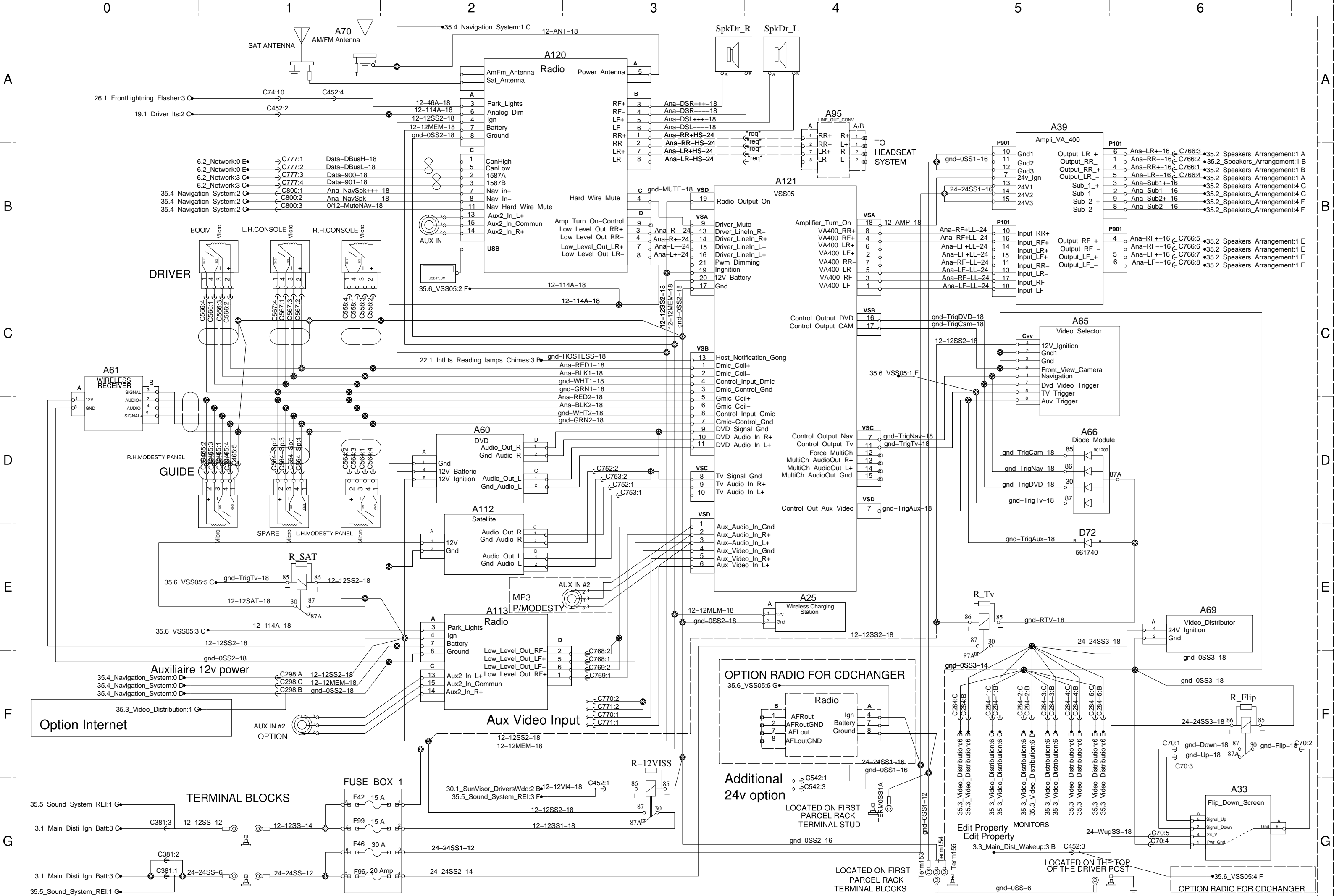


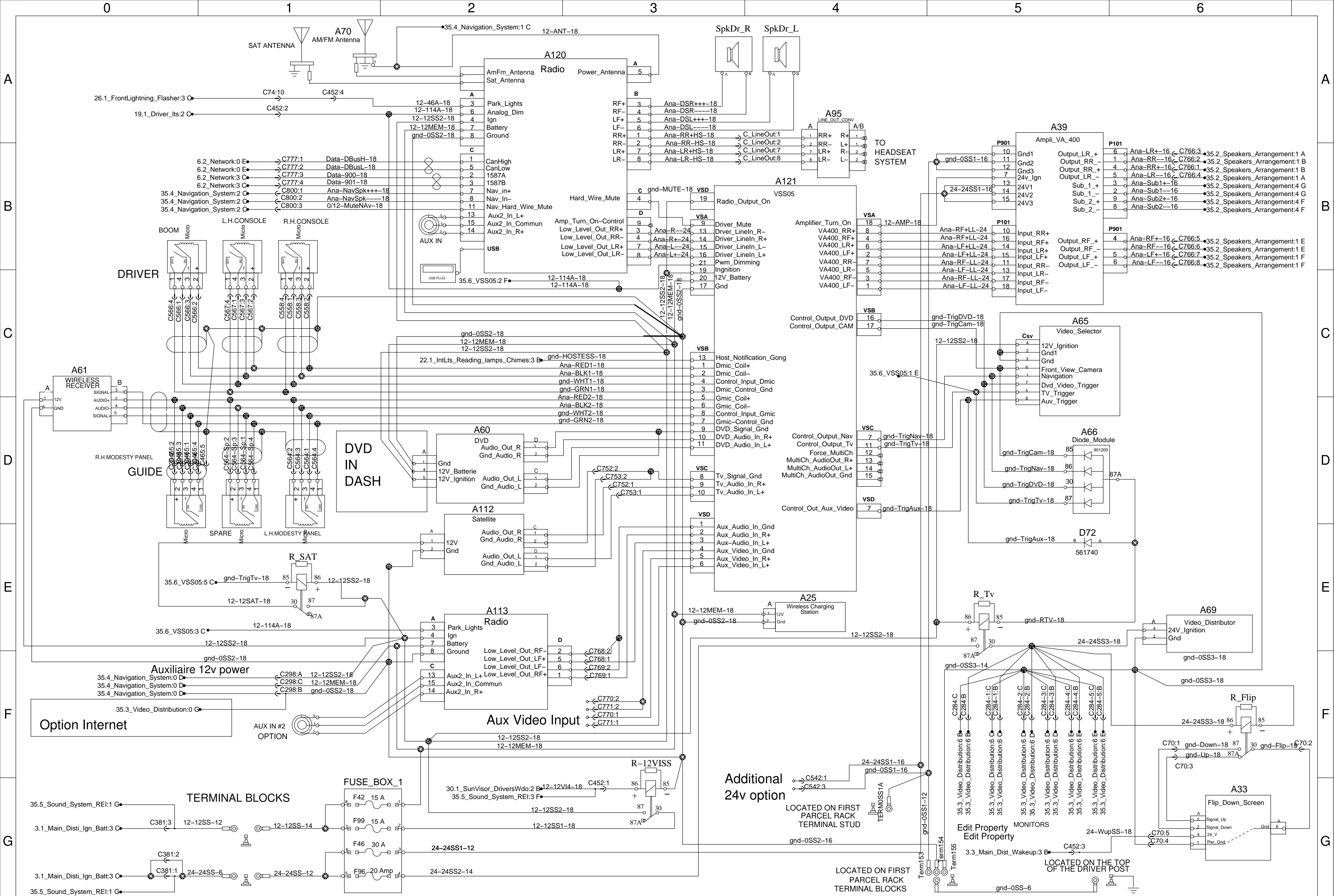


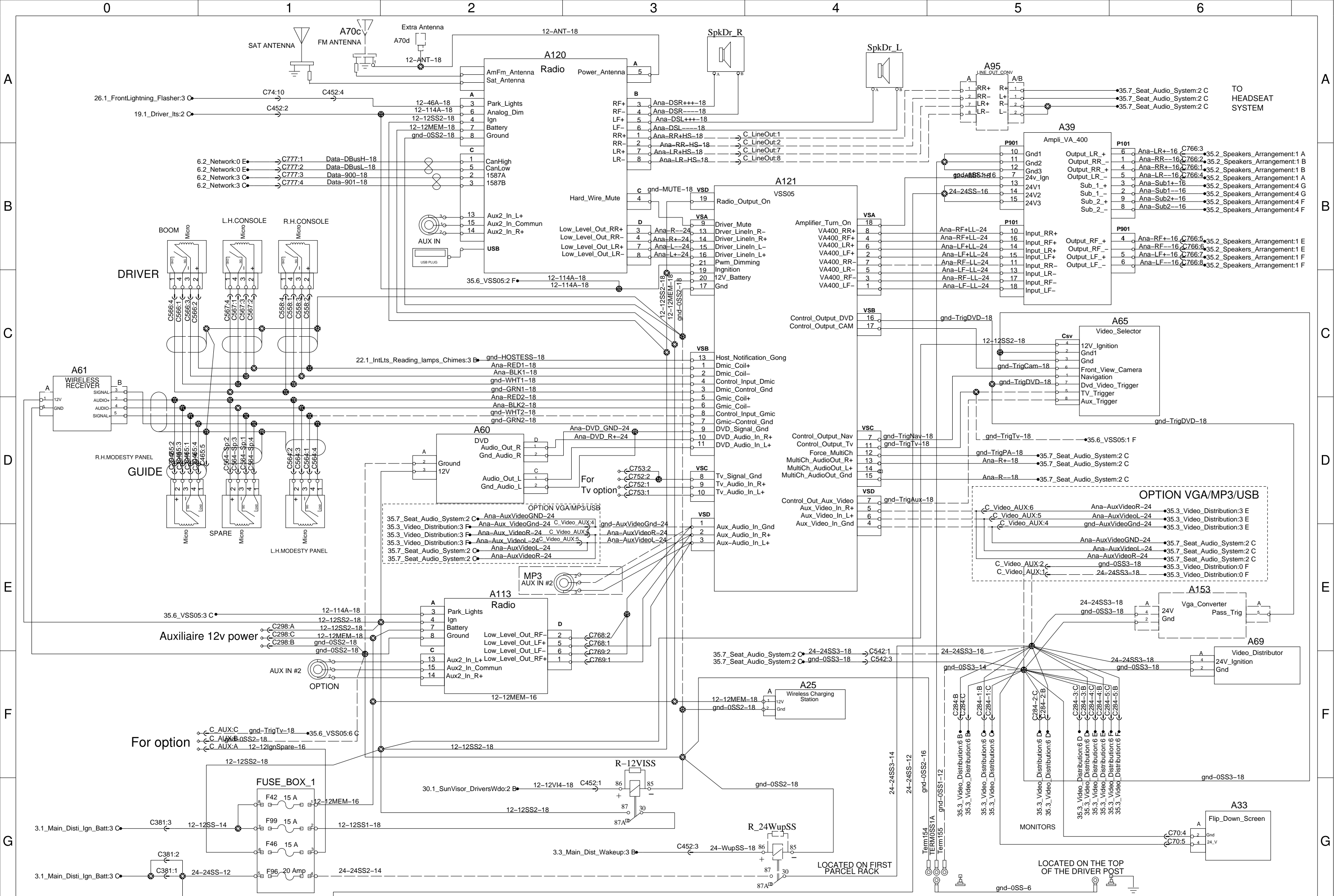
LOCATED ON FIRST  
PARCEL RACK  
TERMINAL STUD

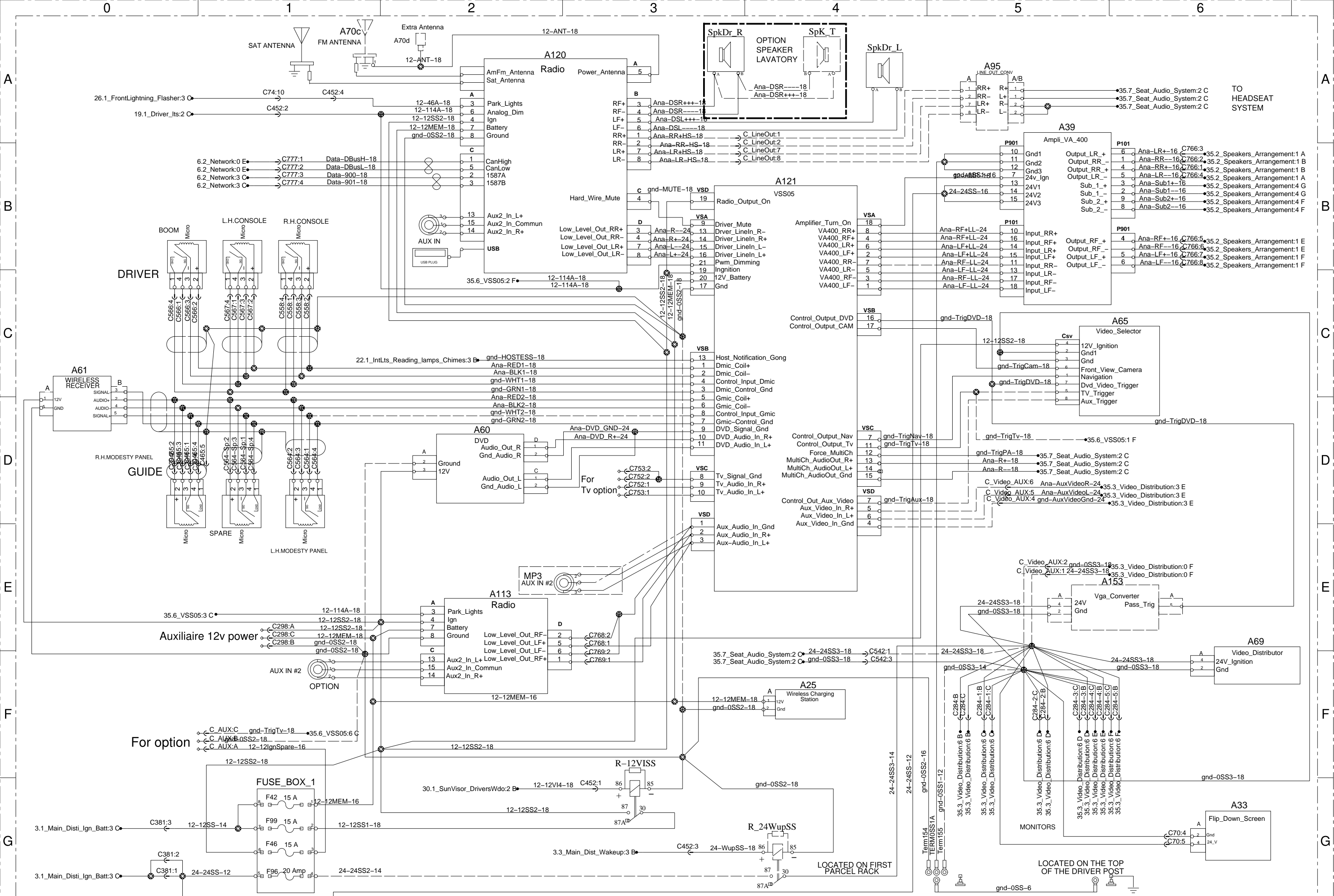
LOCATED ON FIRST  
PARCEL RACK  
TERMINAL BLOCKS

LOCATED ON THE TOP  
OF THE DRIVER POST

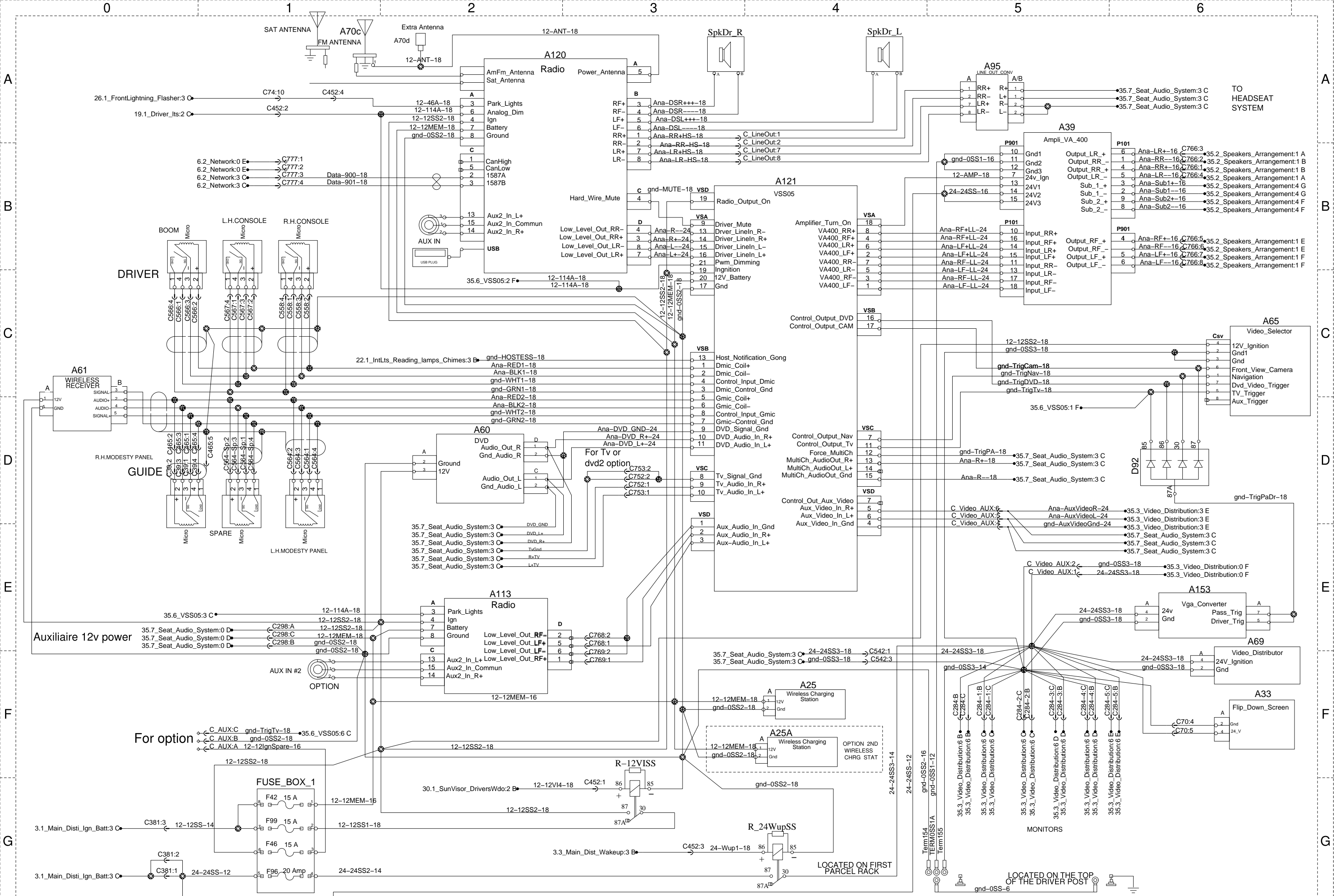


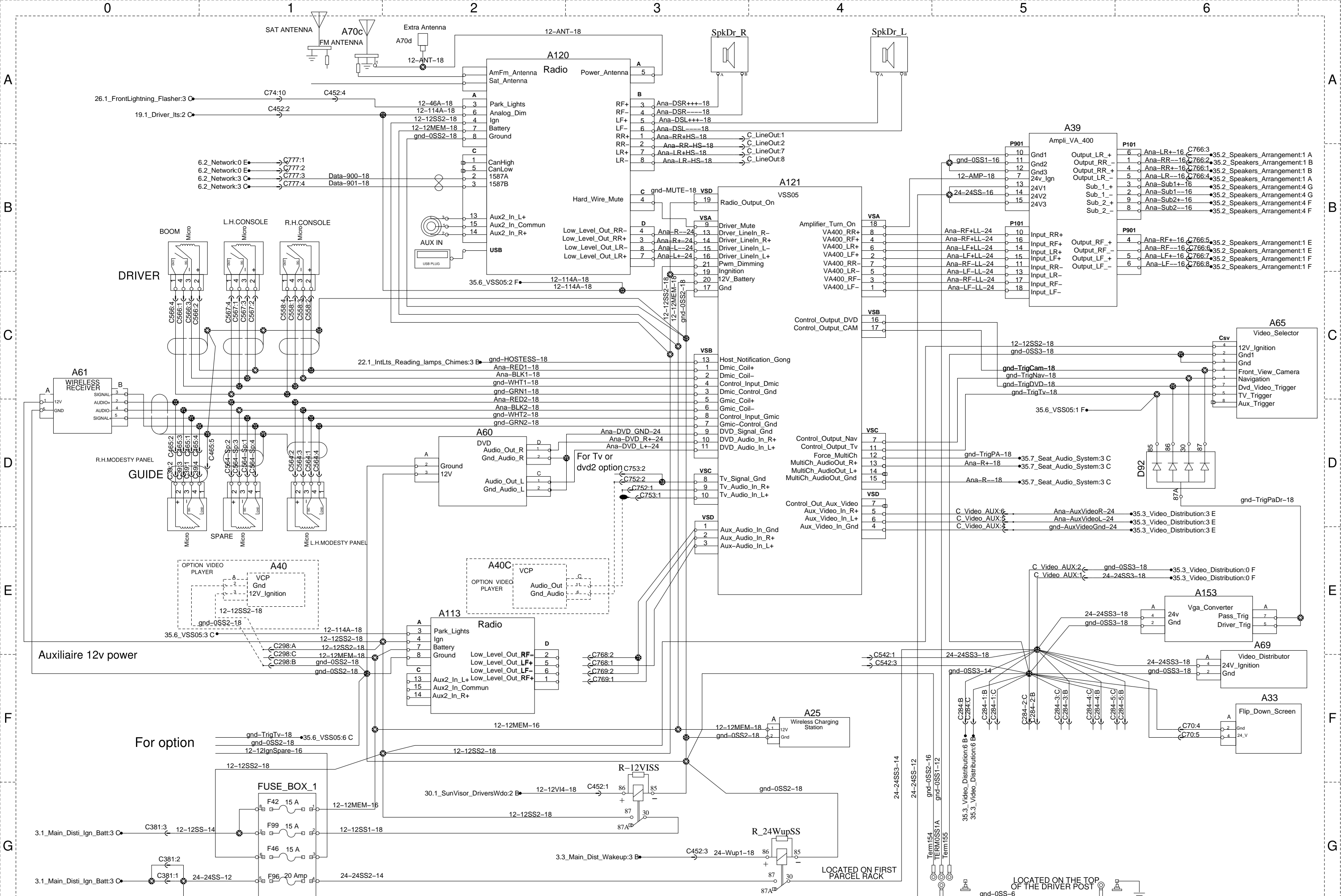












0

1

2

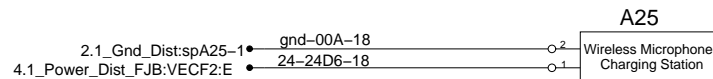
3

4

# Wire Less MicroPhone

A

A



B

B

C

C

D

D

E

E

0

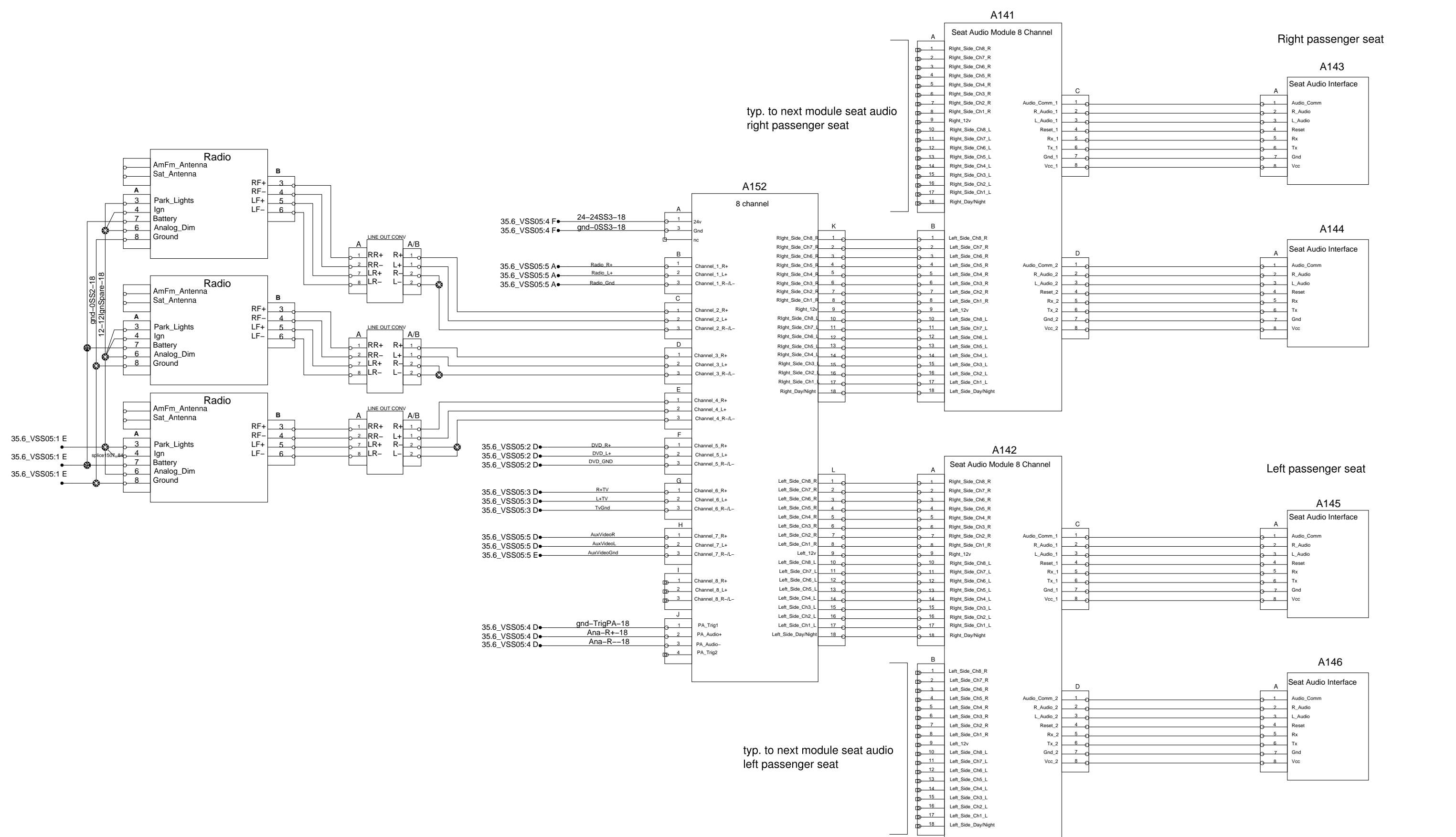
1

2

3

4

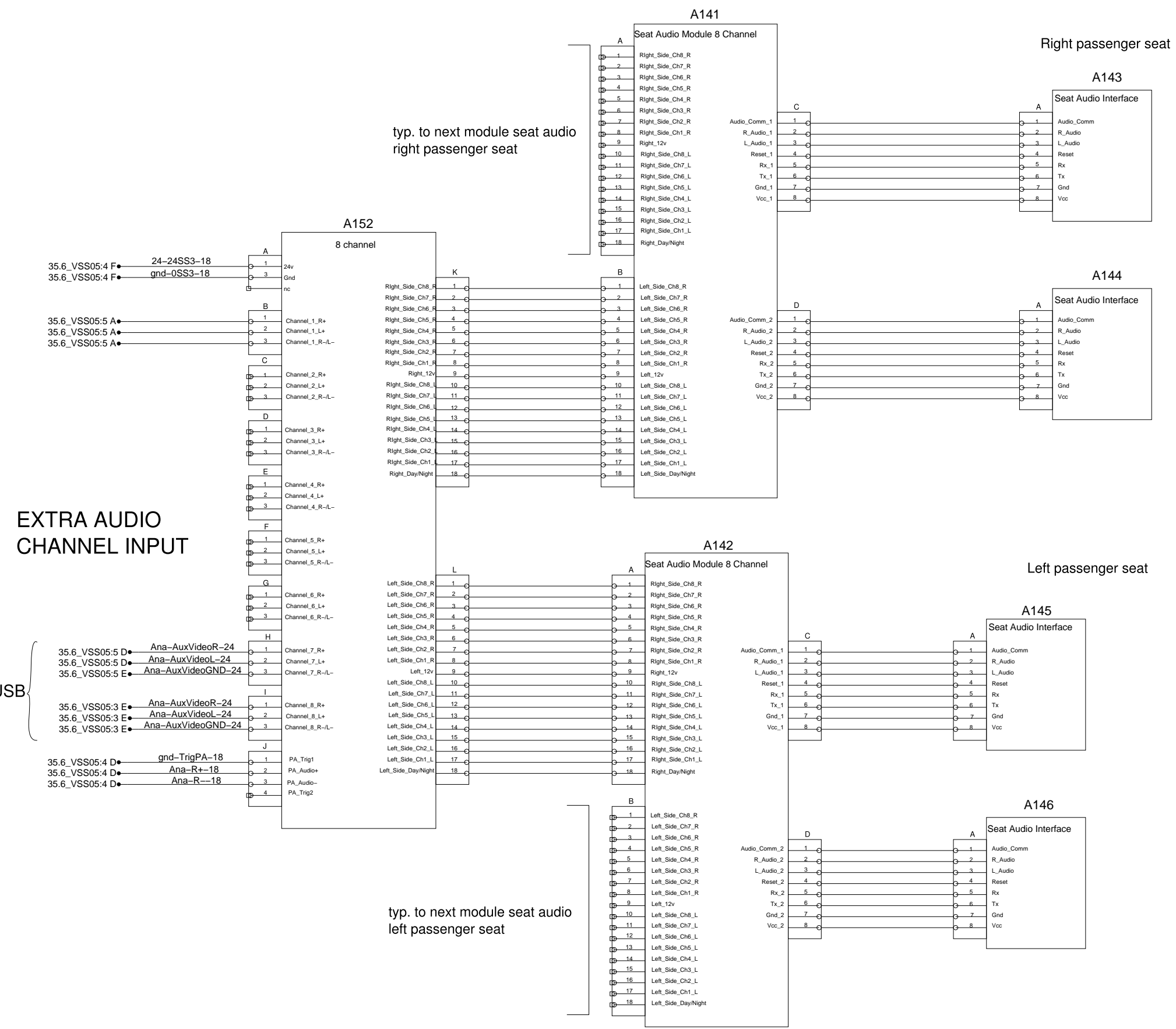
# 8 CHANNEL SEAT AUDIO SYSTEM



typ. to next module seat audio right passenger seat

typ. to next module seat audio left passenger seat

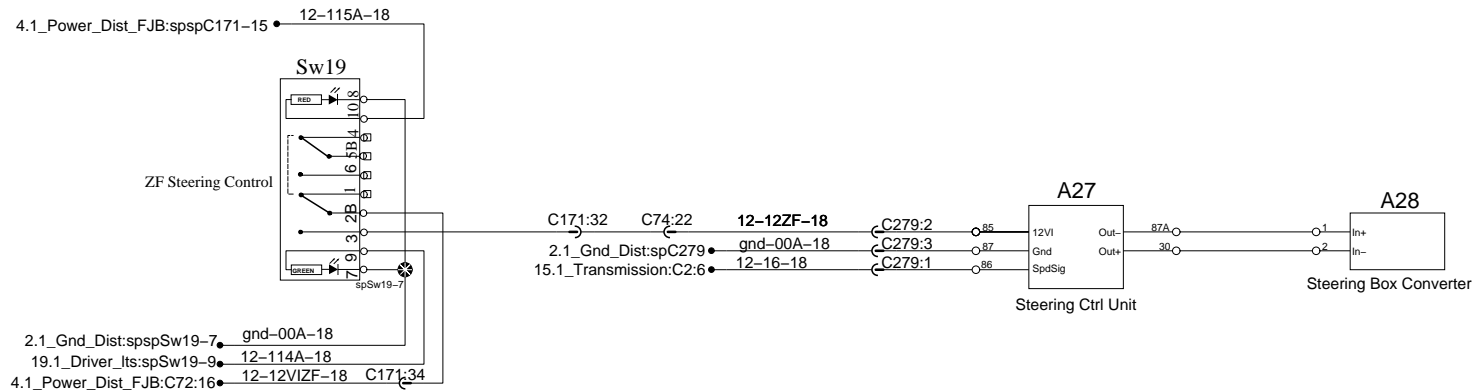
# 8 CHANNEL SEAT AUDIO SYSTEM





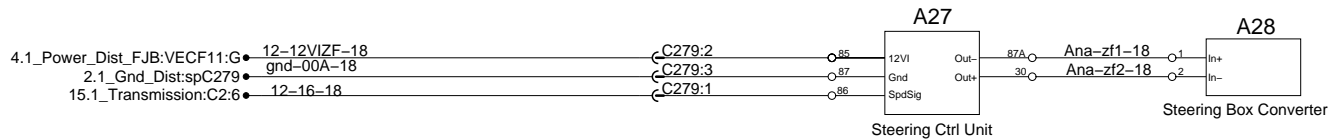


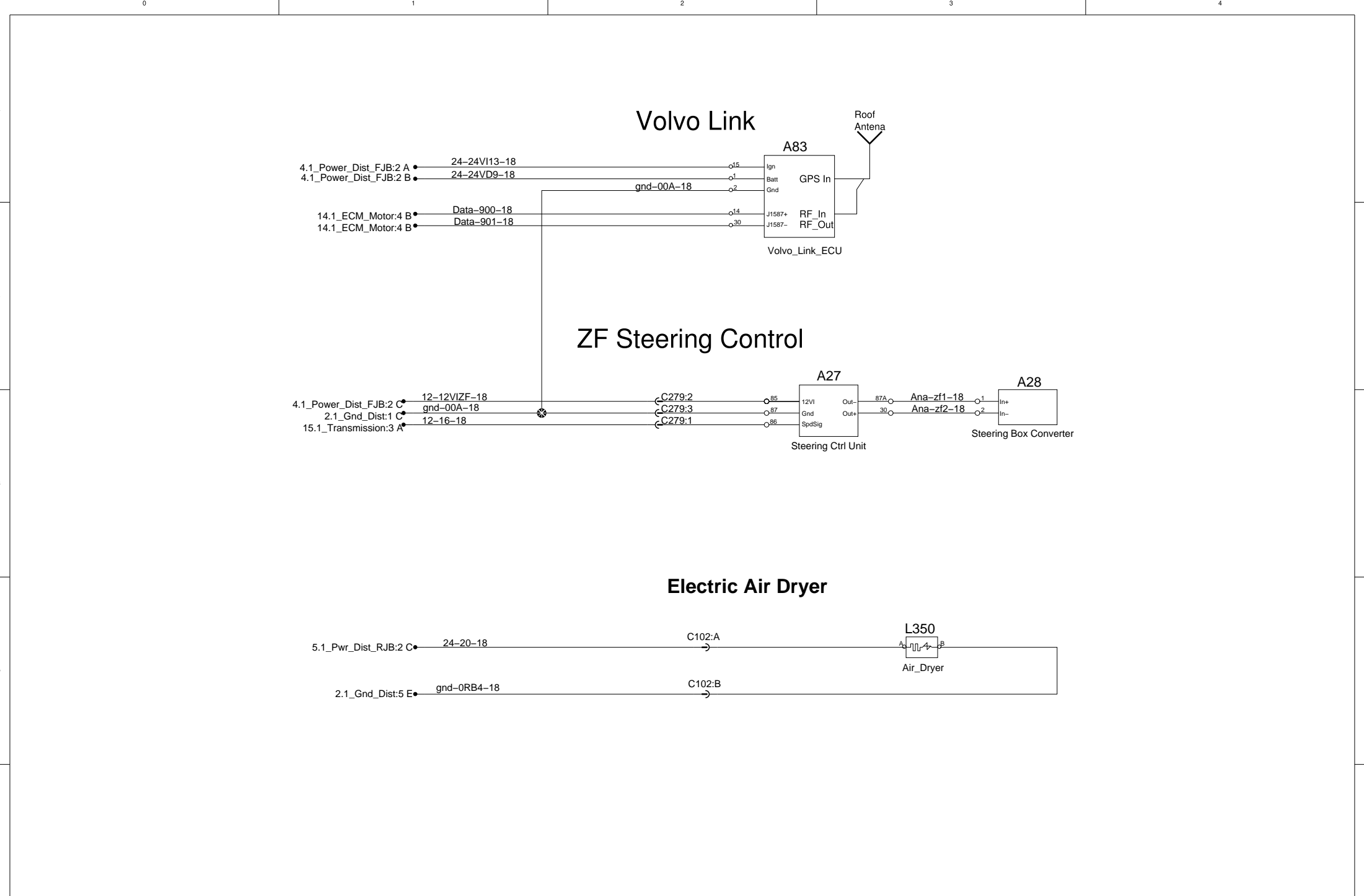
# ZF Steering Control

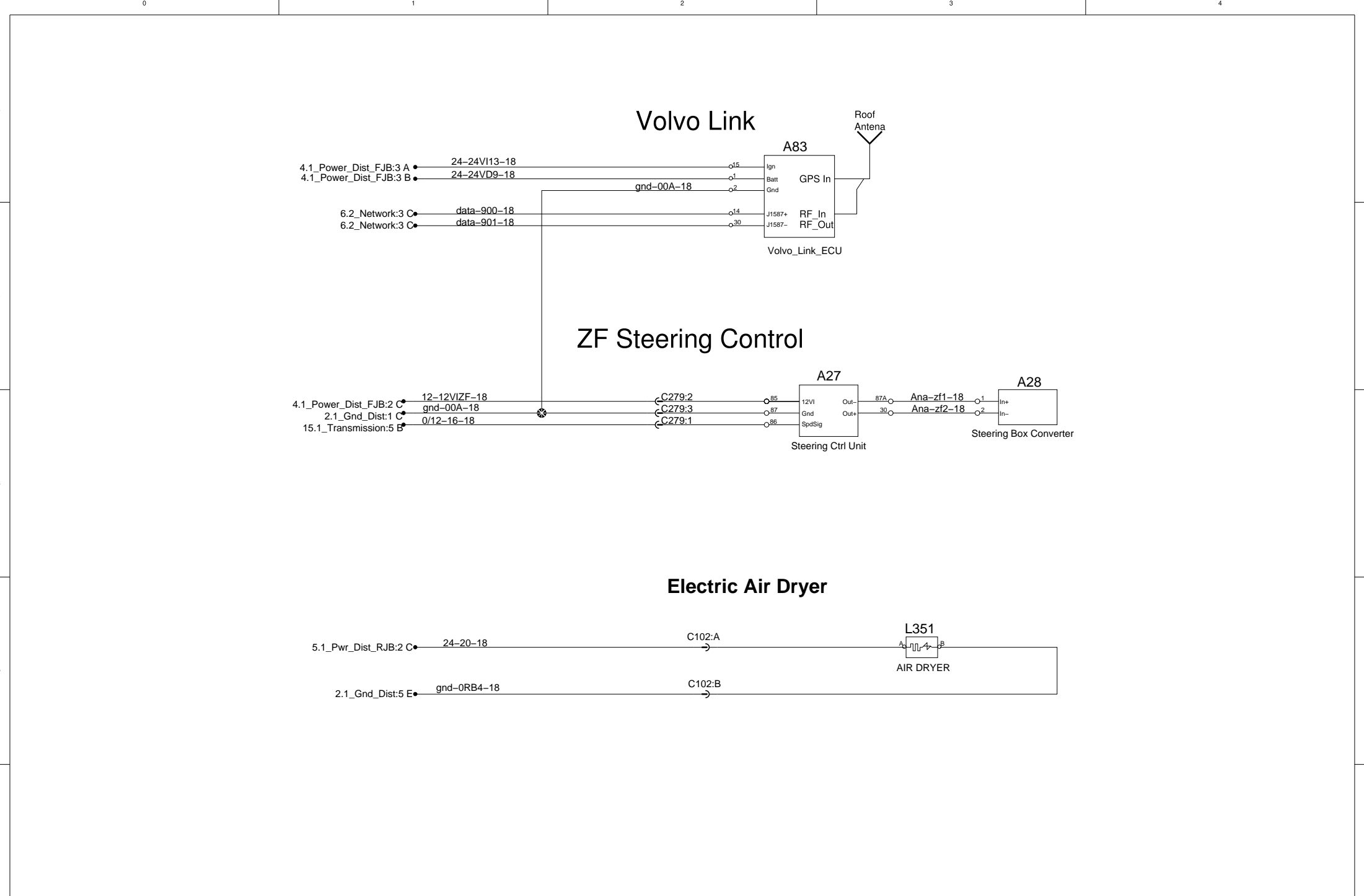




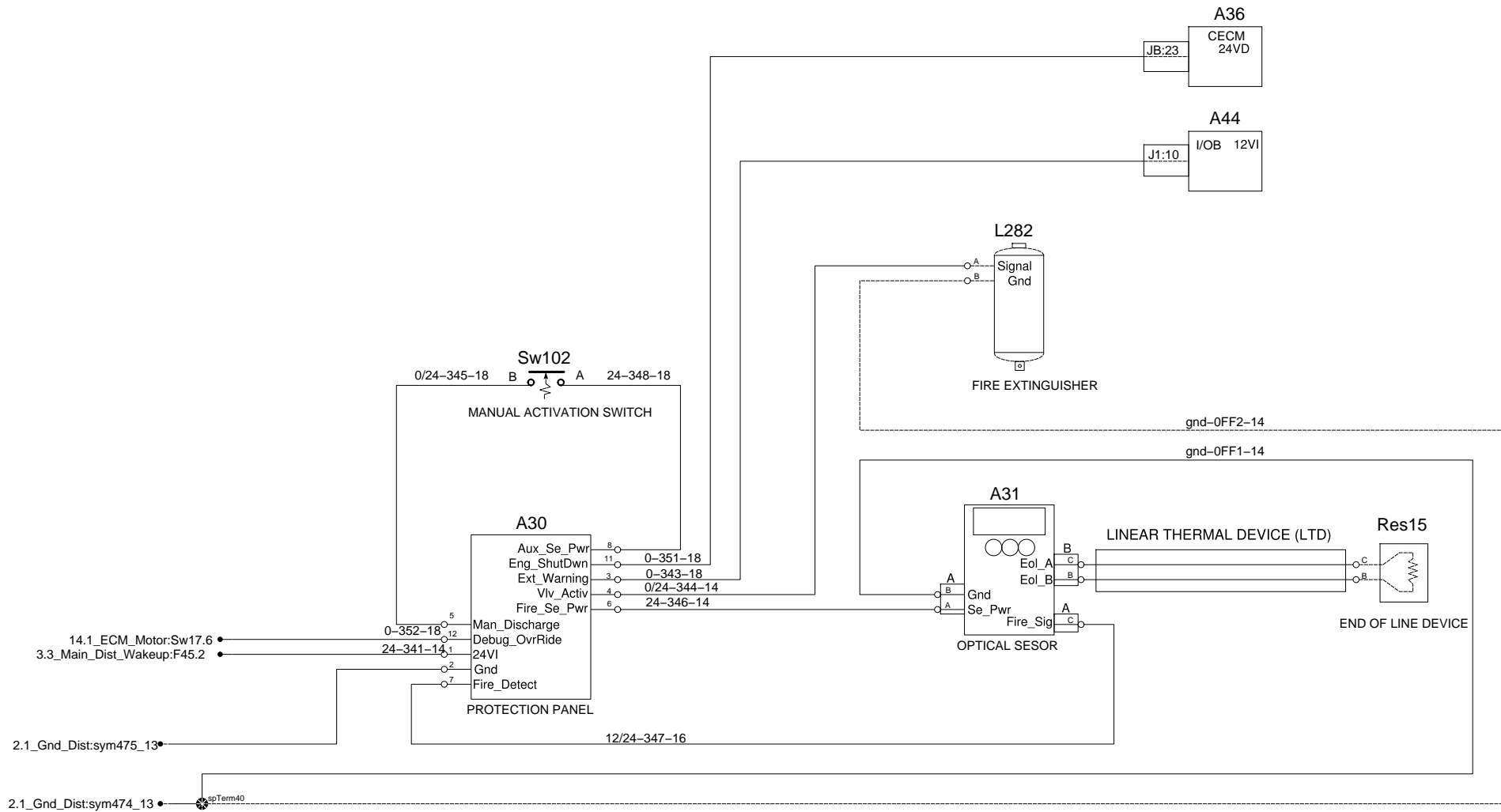
# ZF Steering Control



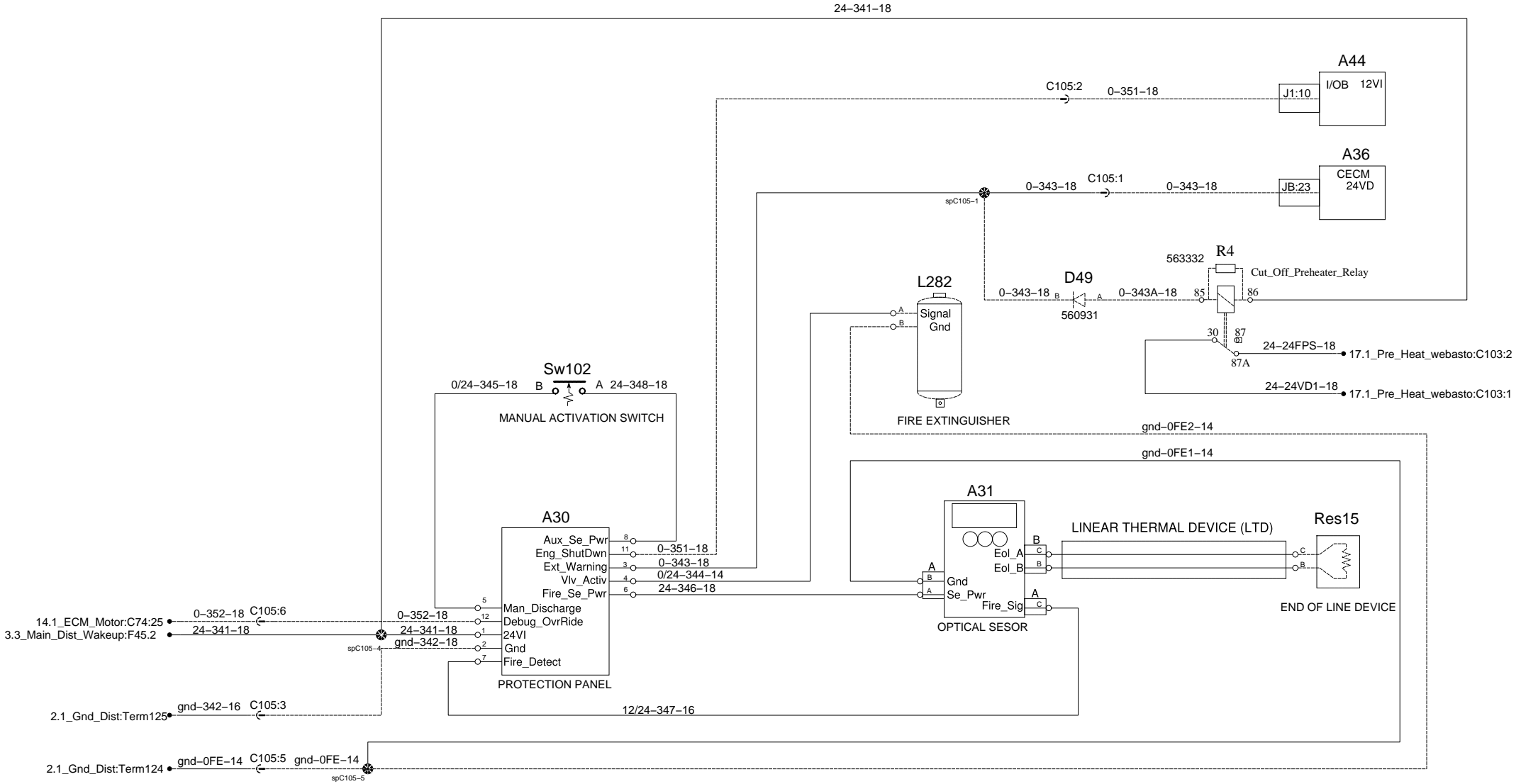




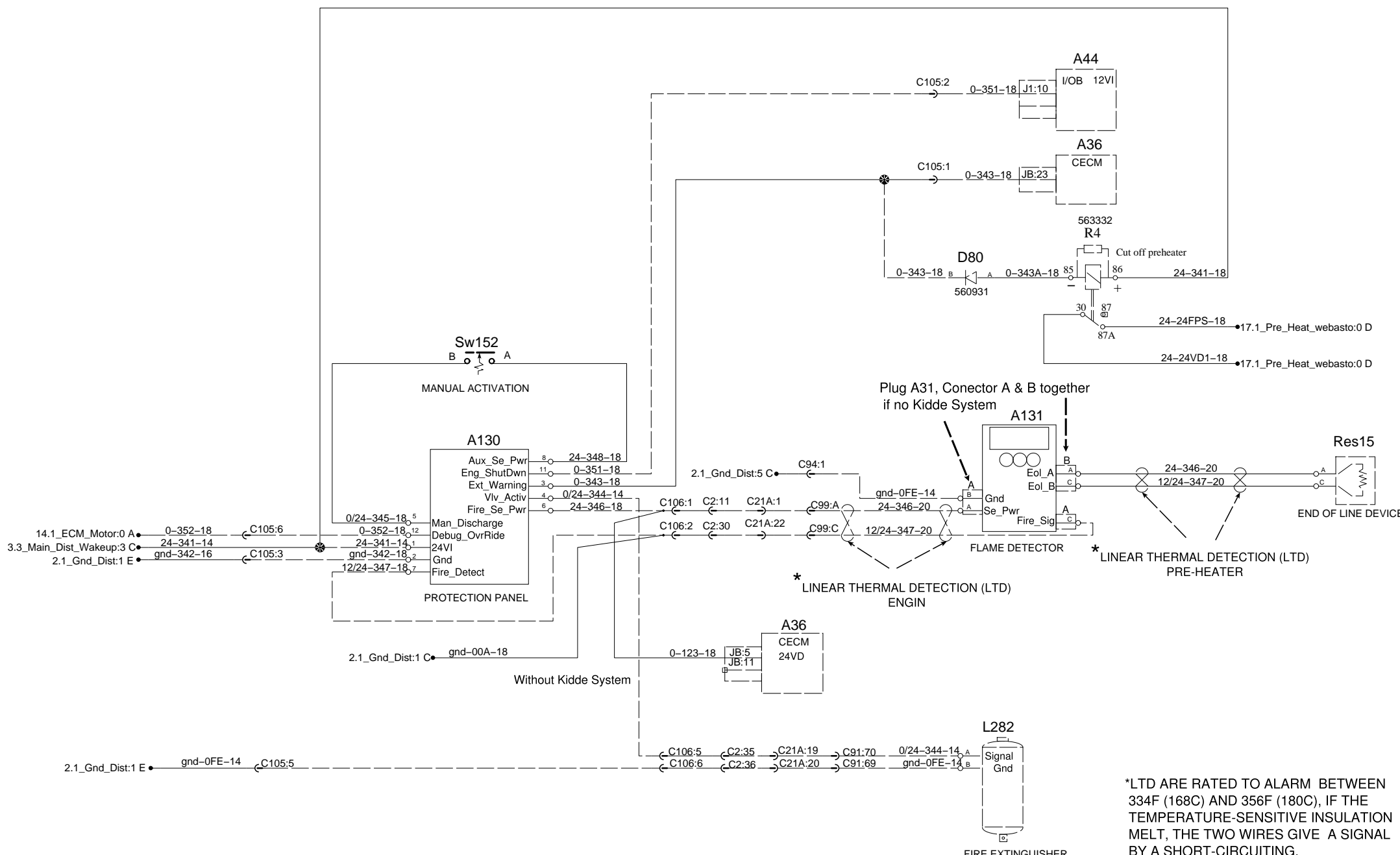
# Fire Protection Extinguisher



# Fire Protection Extinguisher

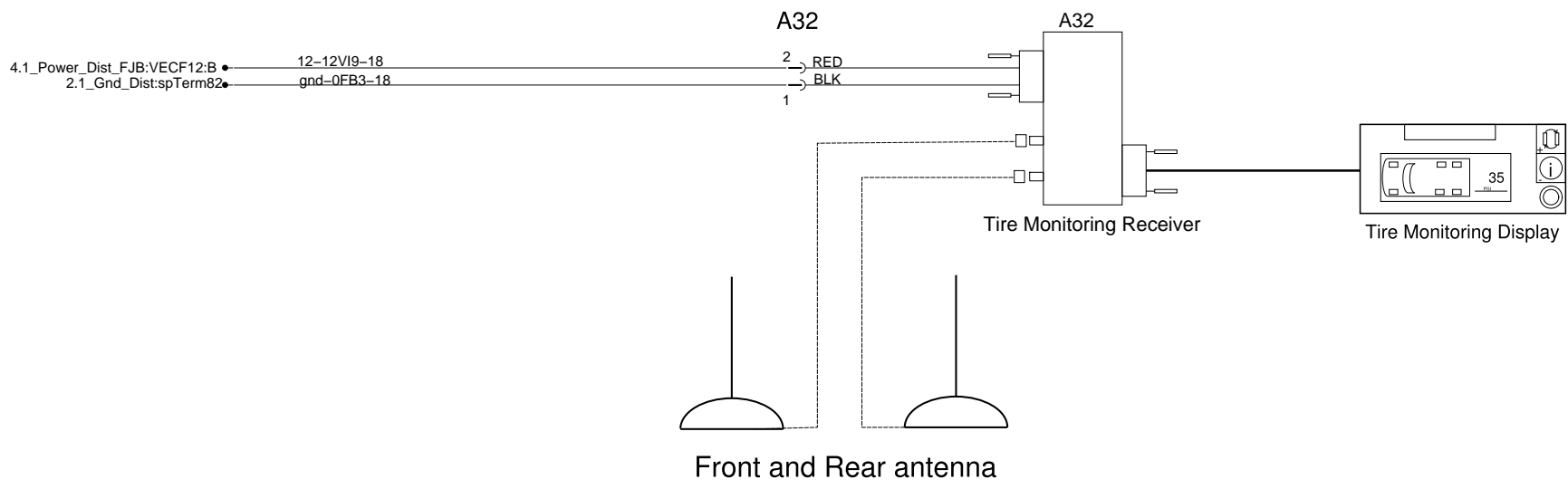


# Fire Protection Extinguisher

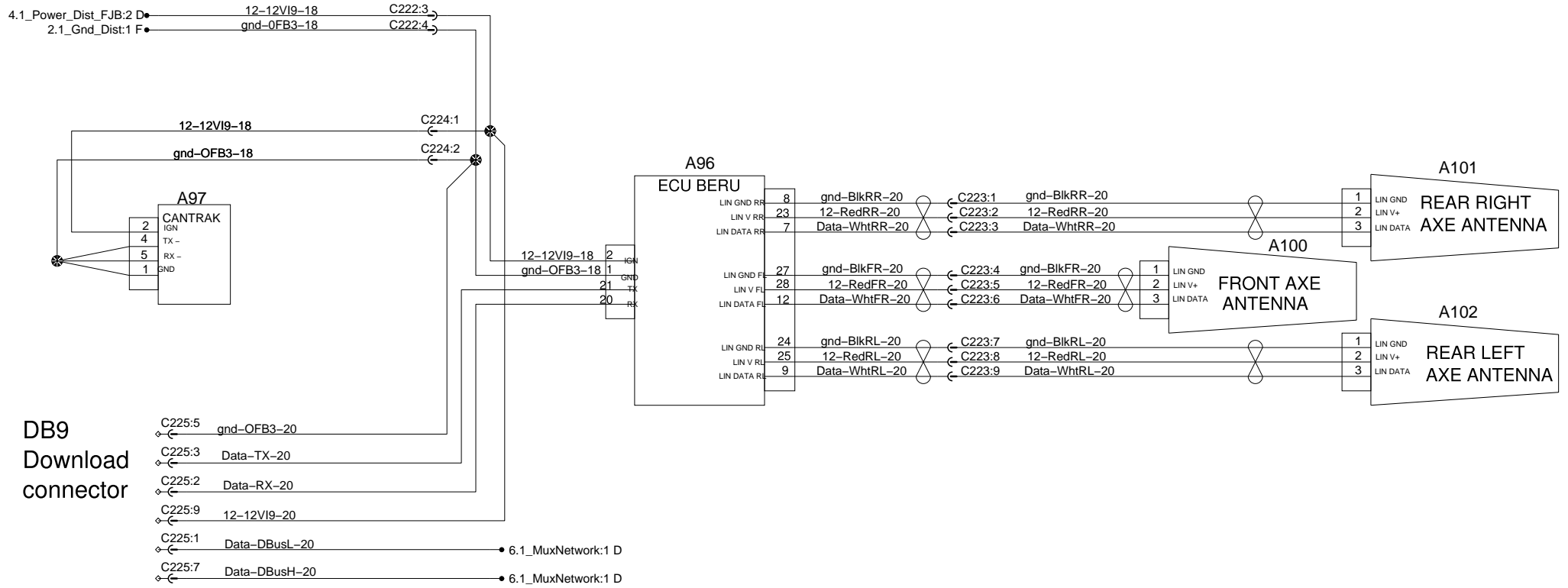


\*LTD ARE RATED TO ALARM BETWEEN 334F (168C) AND 356F (180C), IF THE TEMPERATURE-SENSITIVE INSULATION MELT, THE TWO WIRES GIVE A SIGNAL BY A SHORT-CIRCUITING.

# Tire Monitoring System

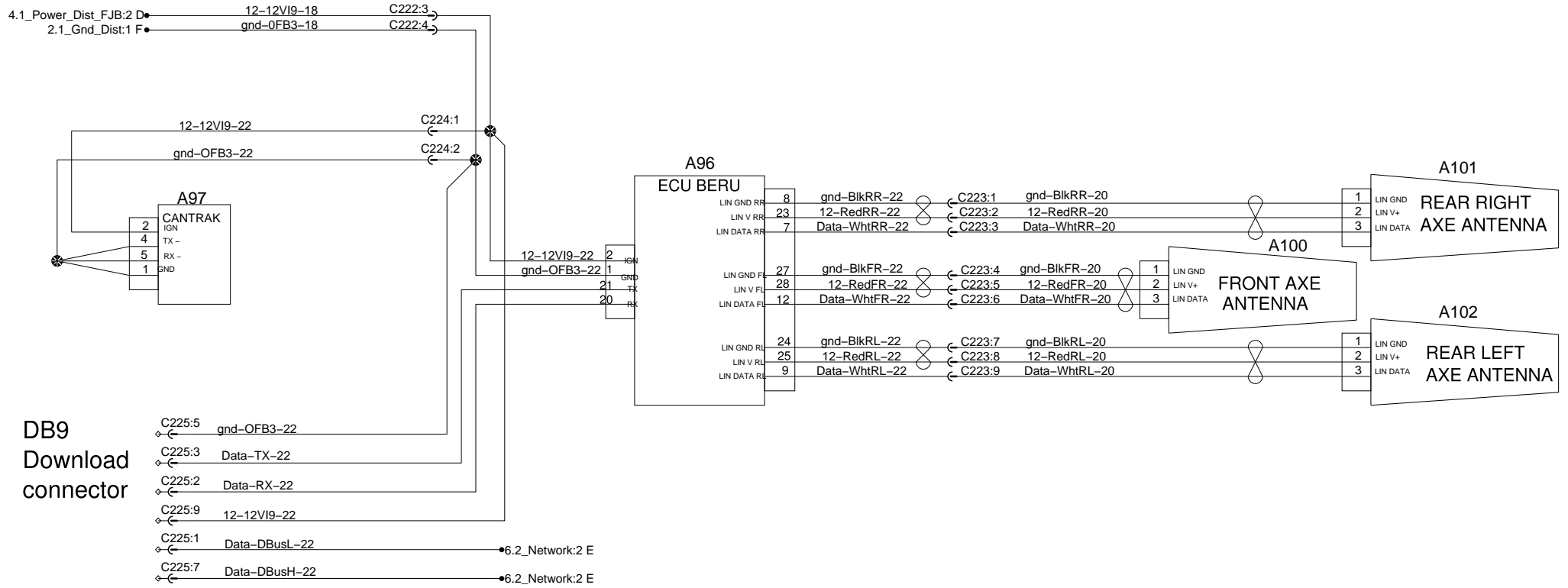


# Tire Pressure Monitoring System

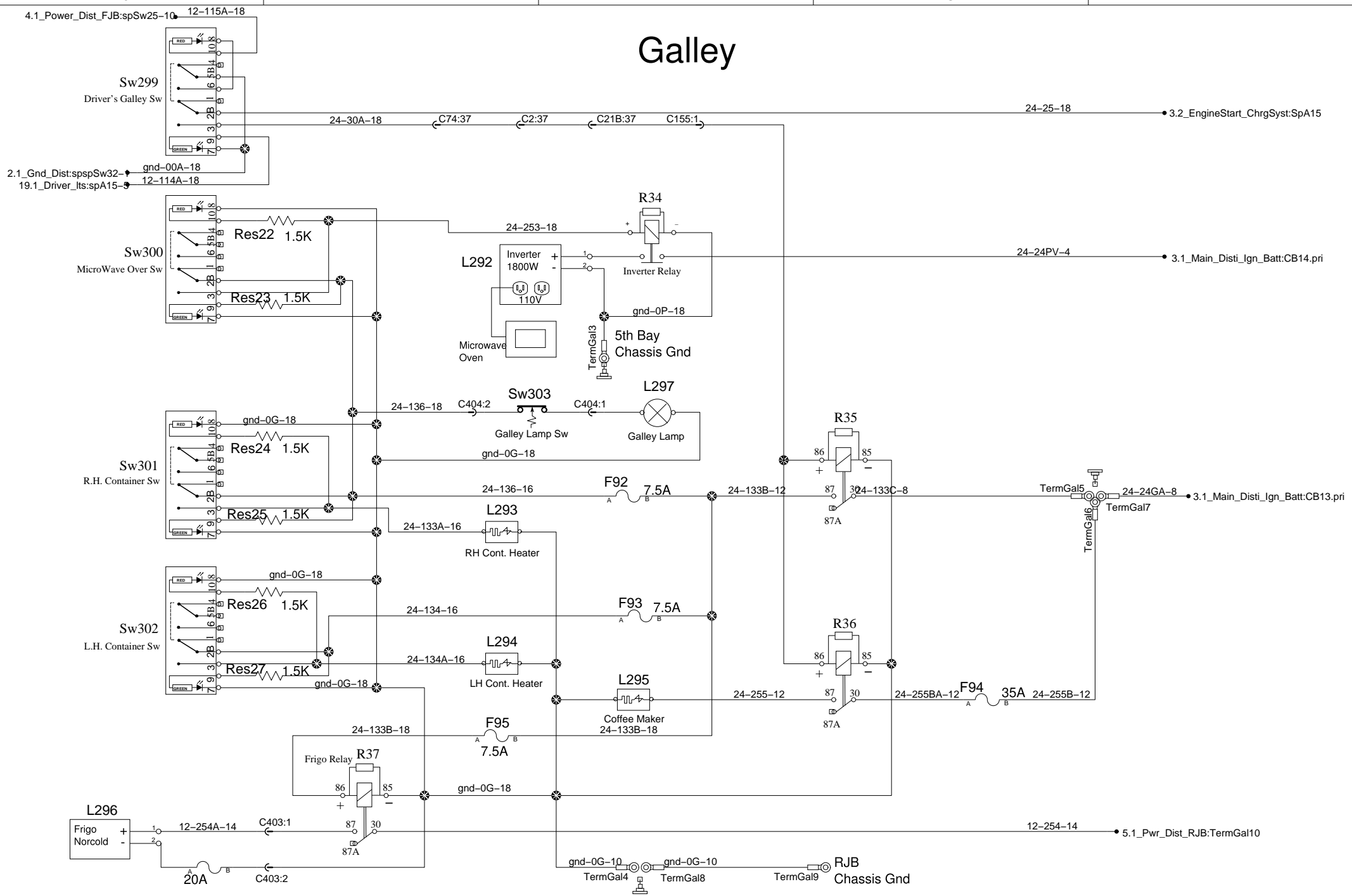




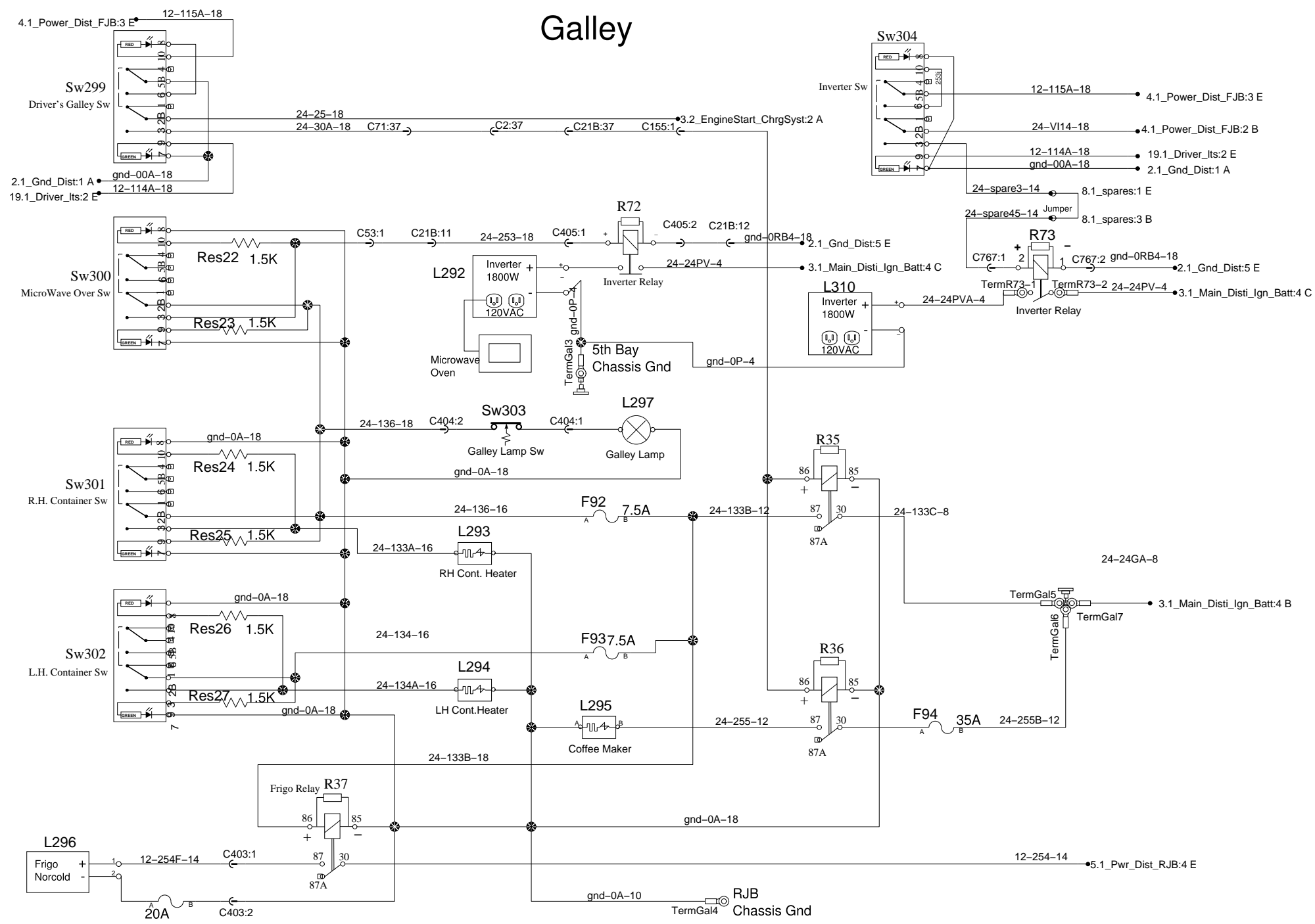
# Tire Pressure Monitoring System



# Galley

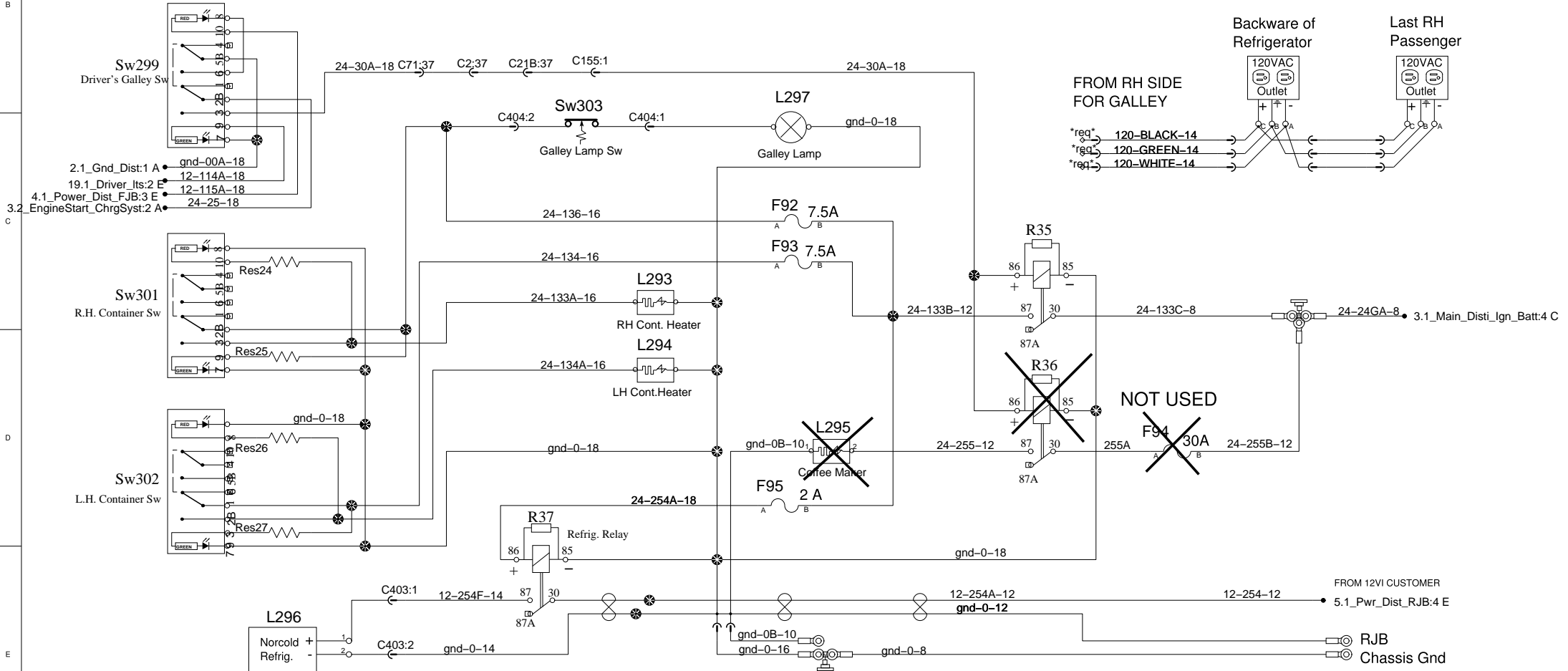
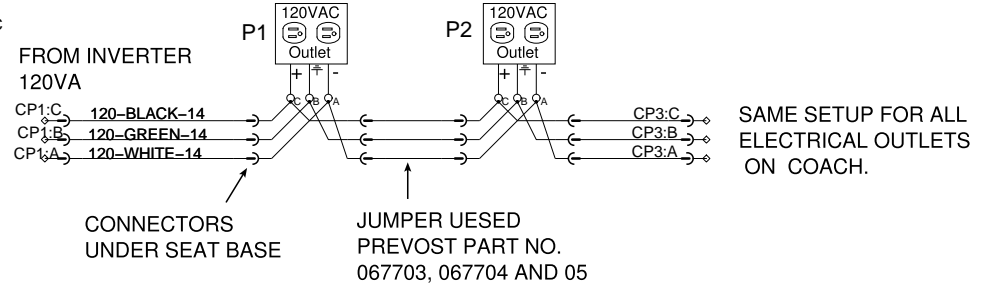
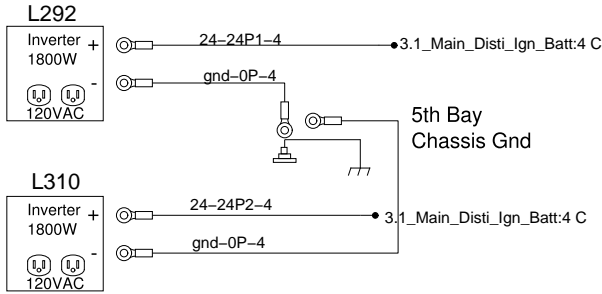


# Galley

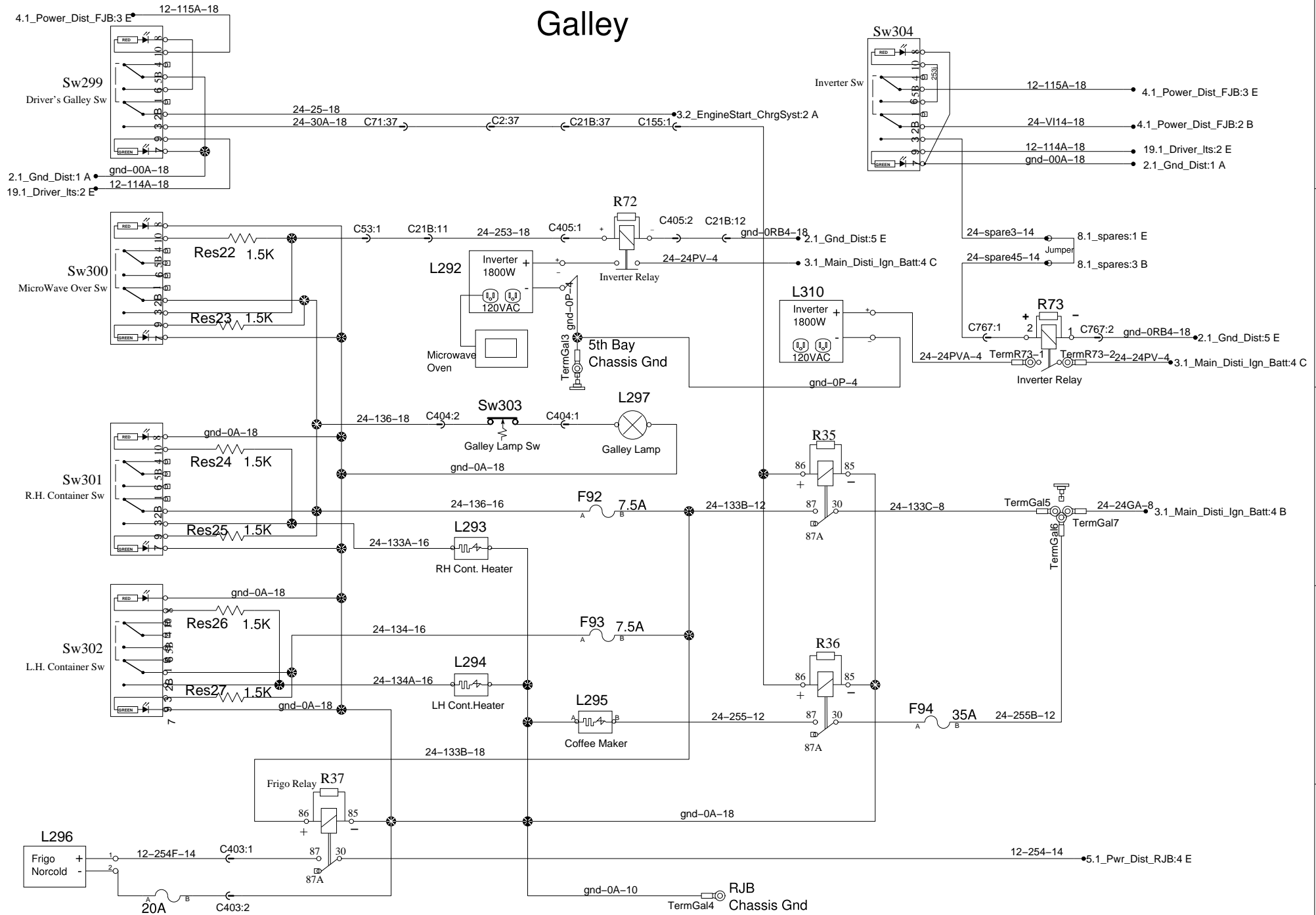


# Galley & 120VAC outlets

BOTH INVERTERS ARE USED TO 120VAC OUTLETS. ONE BY SIDE.

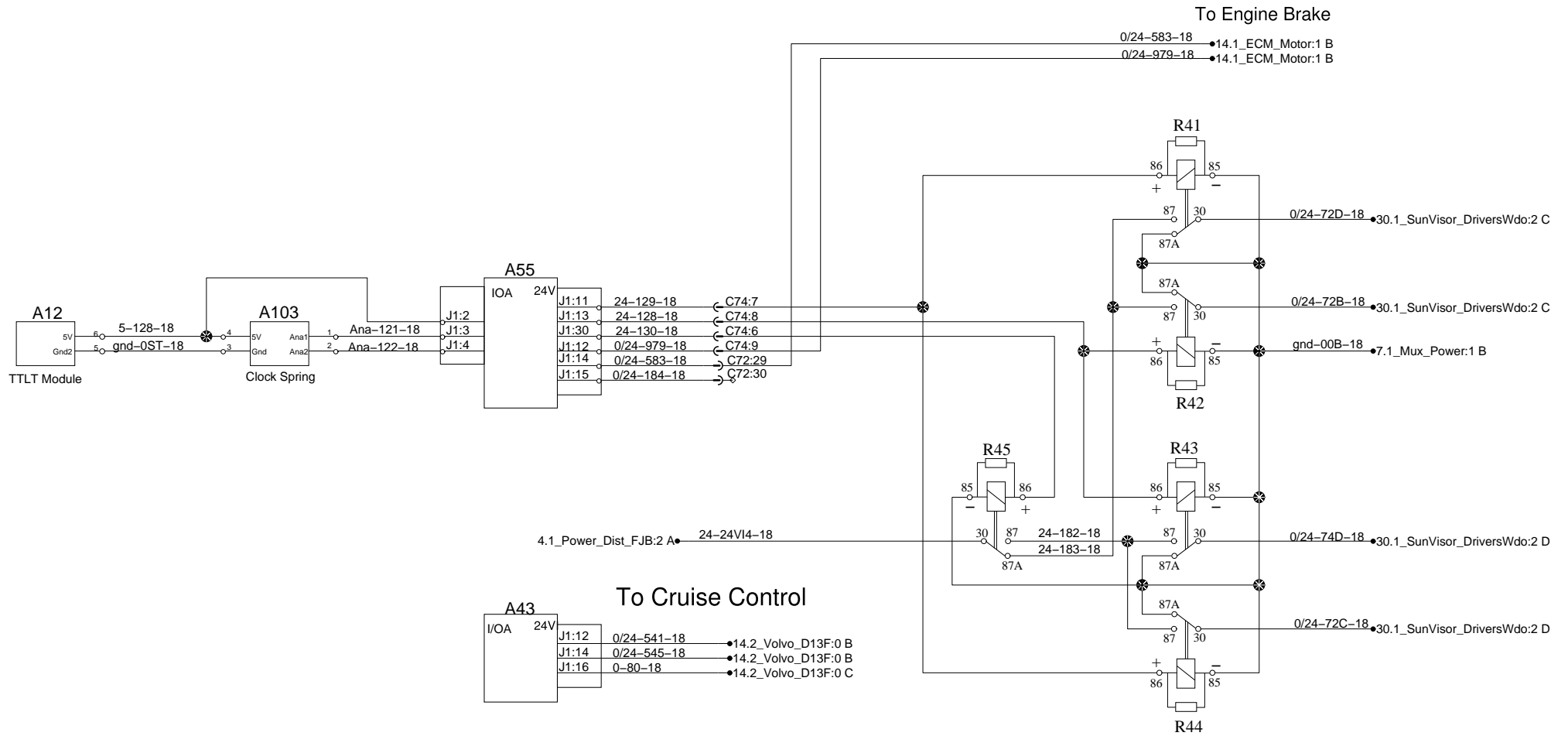


# Galley

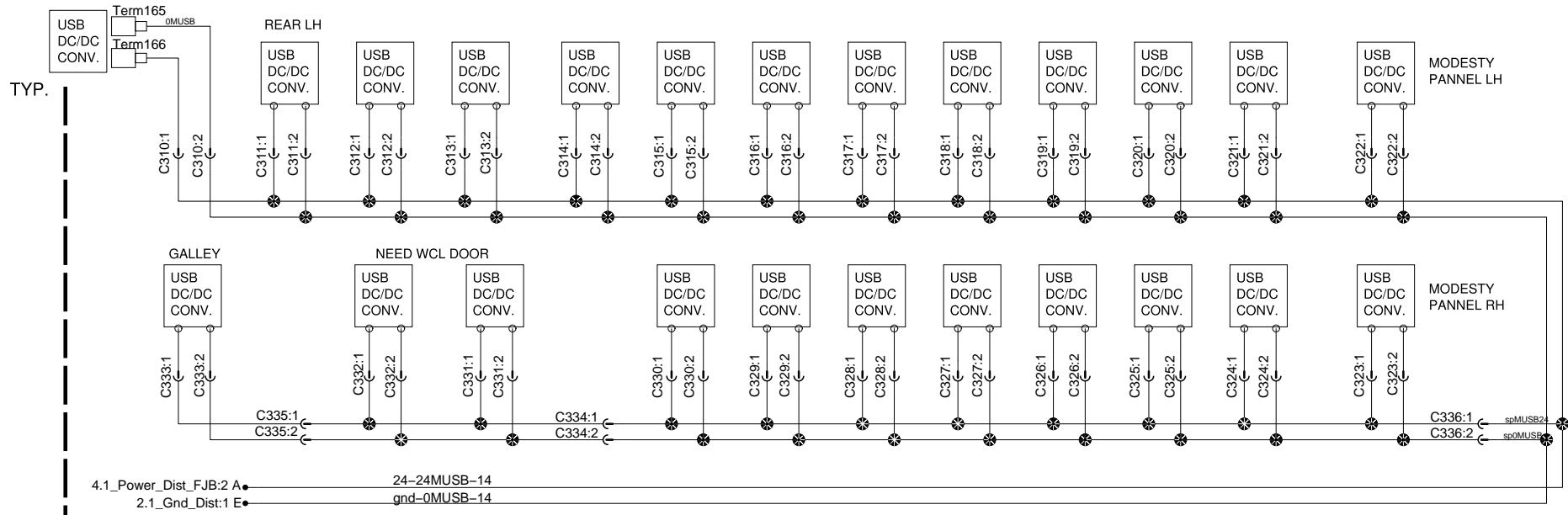




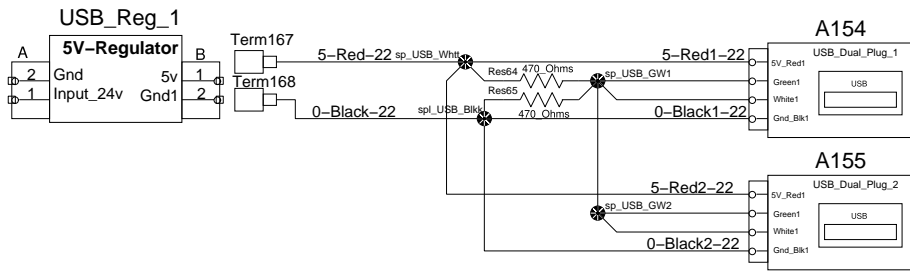
# Steering Multifunctions



# USB iPod Plugs ( 24VDC / 5DC converter)



4.1\_Power\_Dist\_FJB:2 A  
 2.1\_Gnd\_Dist:1 E



NOTICE:

5 VDC @ 500mA  
 MAXIMUM !